

CS 7632 FL

SmartLine element  
with induction Tepan Yaki



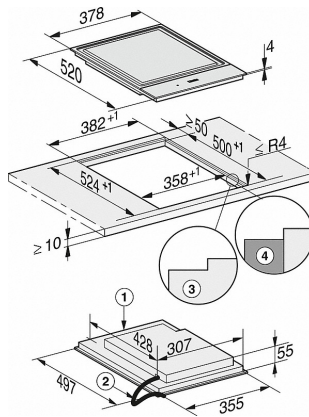
- Intuitive quick selection via number sequences – Smart Select
- Elegant design – for flush or raised installation
- Seamlessly integrates with any SmartLine element
- Particularly versatile – 2 separately controlled teppan areas
- Short heating-up times – thanks to induction cooking

EAN: 4002515836293 / material number: 10684420

<b>Heating type</b>	
Heating type	Induction
<b>Design</b>	
Flush-fit installation	•
<b>User convenience</b>	
Operation via sensor controls	Smart Select
Stop & Go function	•
Minute minder	•
Keeping warm	•
Individual setting options (e.g. buzzers)	•
<b>Cleaning convenience</b>	
Easy to clean ceramic glass	•
<b>Safety</b>	
Residual heat indicator	•
<b>Technical data</b>	
Dimensions in mm (width)	378
Dimensions in mm (height)	60
Casing height incl. connection box in mm	60
Dimensions in mm (depth)	520
Weight in kg	8
Total rated load in kW	2.8
Voltage in V	220-240
Connection cable length in m	1.5
<b>Standard accessories</b>	
Mains cable	•

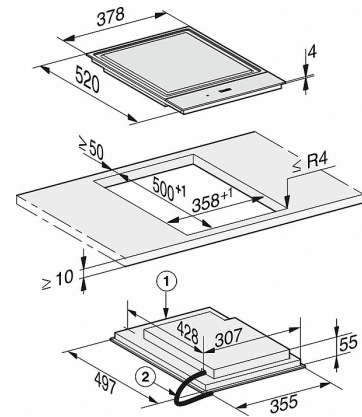
CS 7632 FL

SmartLine element  
with induction Tepan Yaki



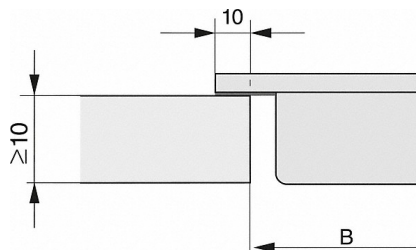
CS 7622 FL, flush (installation drawing)

- 1) Front
- 2) Mains connection box with mains connection cable, L = 2000 mm
- 3) Stepped cut-out
- 4) Wooden frame 12 mm (supplied loose)

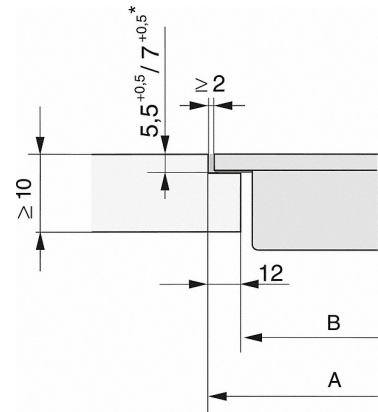


CS 7632 FL, flush (installation drawing)

- 1) Front
- 2) Mains connection box with mains connection cable, L = 2000 mm

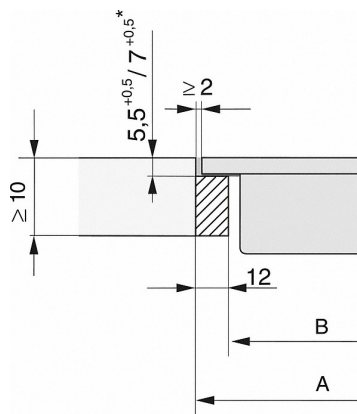


CS 7000 FL (Installation drawing)



CS 7000 FL, flush (Installation drawing)

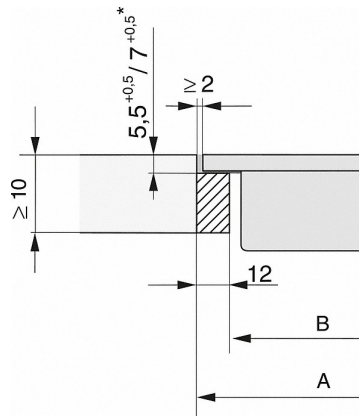
\*7+0,5 = CS7611 (Wok)



CS 7000 FL, flush (Installation drawing)

CS 7632 FL

SmartLine element  
with induction Tepan Yaki



\*7+0,5 = CS7611 (Wok)