

DA 6890 Levantar

Downdraft extractor system

With dimmable LED lighting and touch controls for convenient operation.



- Practical - 916mm wide cooker hood with motorised canopy
- Powerful - 710m<sup>3</sup>/h on the booster setting
- Practical - 15-minute automatic fan run-on
- Suitable for every home - for extraction or recirculation
- Ideal for combination with a panorama hob

EAN: 4002515434796 / material number: 09750610

<b>Construction type</b>	
Downdraft extractor system	•
<b>Design</b>	
Colour	Stainless steel
Edge extraction	•
<b>Operating modes</b>	
Type of air guide	Convertible
External operation possible	•
Recirculation conversion kit (order separately)	DUU 151
Active charcoal filter (order separately)	DKF22-1 CHARCOAL FILTER 2x
<b>User convenience</b>	
Electronic controls	•
Touch-on-glass controls	•
Power levels (excluding booster levels)	3
Run-on time 15 min.	•
Grease filter saturation indicator	•
Hood in Motion	•
<b>Filter system</b>	
Number of dishwasher safe metal grease filters	2
<b>Lighting</b>	
LED	•
Light intensity in Lx	300
Colour temperature in K	3,570
Dimmer function	•
<b>Fan</b>	
Dual-action fan	•
AC motor	•
<b>Air throughput with max. duct diameter in extraction mode (not for external version)</b>	
Air throughput in Level 1 (m <sup>3</sup> /h)	220
Air throughput in Level 2 (m <sup>3</sup> /h)	380
Air throughput in Level 3 (m <sup>3</sup> /h)	450
Air throughput in booster level 1 (m <sup>3</sup> /h)	710
Sound power in Level 1 (dB(A) re 1 pW)	47
Sound power in Level 2 (dB(A) re 1 pW)	57
Sound power in Level 3 (dB(A) re 1 pW)	60
Sound power in booster level 1 (dB(A) re 1 pW)	69
Sound pressure in Level 1 (dB(A) re 20 µPa)	34
Sound pressure in Level 2 (dB(A) re 20 µPa)	44
Sound pressure in Level 3 (dB(A) re 20 µPa)	47
Sound pressure in booster level 1 (dB(A) re 20 µPa)	56
	56
Sound pressure in booster level 2 (dB(A) re 20 µPa)	56
	56

DA 6890 Levantar

Downdraft extractor system

With dimmable LED lighting and touch controls for convenient operation.

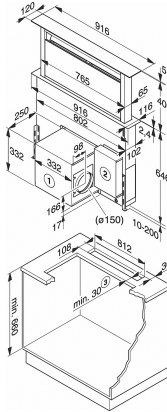


<b>Air throughput in recirculation mode</b>	
Air throughput in Level 1 (m <sup>3</sup> /h)	230
Air throughput in Level 2 (m <sup>3</sup> /h)	375
Air throughput in Level 3 (m <sup>3</sup> /h)	435
Air throughput in booster level 1 (m <sup>3</sup> /h)	640
Sound power in Level 1 (dB(A) re 1 pW)	53
Sound power in Level 2 (dB(A) re 1 pW)	60
Sound power in Level 3 (dB(A) re 1 pW)	64
Sound power in booster level 1 (dB(A) re1pW)	74
	74
Sound power in booster level 2 (dB(A) re1pW)	74
	74
Sound pressure in Level 1 (dB(A) re 20 µPa)	40
Sound pressure in Level 2 (dB(A) re 20 µPa)	47
Sound pressure in Level 3 (dB(A) re 20 µPa)	51
Sound power in booster level 1 (dB(A) re1pW)	61
	61
Sound pressure in booster level 2 (dB(A) re20µPa)	61
	61
<b>Safety</b>	
Safety switch-off	•
Single pane tempered glass	•
<b>Technical data</b>	
Overall height for extraction mode and external mode cooker hoods in mm	1,051
Overall height for recirculation mode cooker hoods in mm	1,051
Canopy width in mm	916
Canopy height in mm	646
Canopy depth in mm	361
Net weight in kg	37.0
Length of supply lead in m	1.5
Standard plug fitted	•
Total rated load in kW	0.28
Voltage in V	230
Fuse rating in A	10
Number of phases	1
<b>Installation notes</b>	
Extraction ducting connection top/rear/side/below	•
Diameter of extraction ducting connection in mm	150
Optimal combination with hob	KM 7684 FL; KM 7689 FL

## DA 6890 Levantar

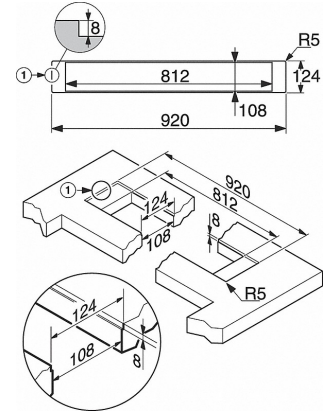
Downdraft extractor system

With dimmable LED lighting and touch controls for convenient operation.



DA 6890 Downdraft (installation drawing)

- 1) When installing the fan, it can be turned. So exhaust air can be extracted upwards, left, right or downwards. The motor can also be fitted in the same position at the back of the appliance. If the motor is fitted at the back of the appliance, the back panel of the furniture housing unit must be cut out in the installation area and sufficient installation space must be provided behind the unit.
  - 2) The electrical components can, if required, be positioned to the left of the fan inside the canopy or inside the wall unit.
  - 3) Dimensions depend on material. Installation with a gas hob is not possible.
- If the installation of an oven is planned in front of the appliance, relevant installation instructions and requirements regarding cooling air must be observed.



DA 6890 Downdraft (installation drawing)

1. Stepped cut-out for granite and marble worktops