

CS 1327 Y

CombiSets
with electric Tepan Yaki



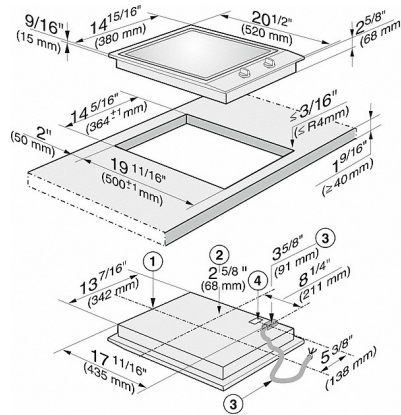
- Professional design - Stainless steel surface, 15 (380)Inch wide
- Particularly versatile - 2 separately controlled heating areas
- Particularly versatile - fry, grill, braise, sauté, etc.
- Easy and direct controls -operation via metal rotary dial control
- Very convenient, safe - operating and residual heat indicator

EAN: 4002514997995 / material number: 07890140

Type of heating	
Fuel type	Other type of heating
Design	
All-round stainless steel frame	•
Ring	
Position	In front
Size in inches (mm)	Ø 190 / 190x290
Max. rating in W	1300
Position	Rear
Size in inches (mm)	Ø 190 / 190x290
Max. rating in W	1300
Control panel	
Operation via knobs	•
Safety	
Residual heat indicator	•
Technical data	
Dimensions in in. (width)	15 (380)
Dimensions (height) in in.(mm)	4 3/4 (118)
Dimensions (depth) in in.(mm)	20 1/2 (520)
Cutout dimensions in in. (width) with proud-mounted installation	14 3/8 (364)
Cutout dimensions in in. (depth) with proud-mounted installation	19 3/4 (500)
Weight in lbs. (kg)	22 (10)
Total connected load in kW	2.6
Power cord length in m	6 (2.0)
Standard accessories	
Connection wire	•

CS 1327 Y

CombiSets
with electric Tepan Yaki



CS 1327 Y (Installation drawing) - USA

- 1) Appliance front
- 2) Installation height
- 3) Power supply box with Connection cable, L = $78\frac{3}{4}''$ (2000 mm)
- 4) Rating label