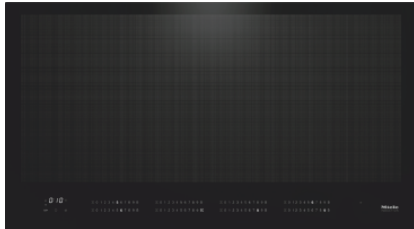


KM 7897 FL

Induction hob with onset controls
with a width of 936mm and full-surface induction for maximum flexibility



- Intuitive quick selection with numerical keybank - Smart Select White
- Intelligent pan recognition – for up to 6 pans
- Frameless for flush-fit or surface-mounted installation
- Cookware is moved around particularly quietly – SilentMove
- Communication with the hood - automatic function Con@ctivity

EAN: 4002516148838 / material number: 11144110

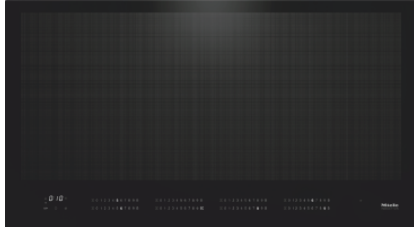
Heating type	
Heating type	Induction
Construction type	
Independent of cooker	•
Design	
Elegant glass ceramic surface	•
Ceramic surface colour	Graphite black
Print design	Silent Move
Flush-fit installation	•
Surface-mounted installation	•
Cooking zone details	
Number of cooking areas	1
Maximum number of pans	6
Cooking zone	
Size in mm	870x380
Max. rating in W	2600
Max. Booster power rating in W	3300
Max. TwinBooster power rating in W	3650
User convenience	
Networking with Miele@home	•
Automatic function Con@ctivity 3.0	•
Operation via sensor controls	Smart Select White
Display colour	White
Pan and pan size recognition	•
Intelligent pan recognition	•
Positioning aid	•
Stop & Go function	•
Recall function	•
Minute minder	•
Safety switch-off	•
Auto heat-up	•
Keeping warm	•
Individual setting options (e.g. buzzers)	•
Wipe protection	•
Efficiency and sustainability	
Power rating in off mode in W	0.5
Power rating in standby mode in W	1.0
Power rating in networked standby in W	2.0
Time until automatic switch to off mode in min	20
Time until automatic switch to standby in min	20
Time until automatic switch to networked standby in min	20
Cleaning convenience	
Easy to clean ceramic glass	•
Safety	
Safety switch-off	•
Lock function	•
System lock	•
Integrated cooling fan	•
Overheating protection	•
Residual heat indicator	•

more information:
<http://www.miele.co.uk/domestic>

For further information please see next page...

KM 7897 FL

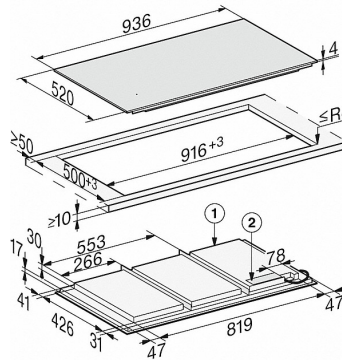
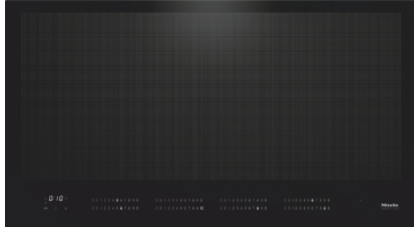
Induction hob with onset controls
with a width of 936mm and full-surface induction for maximum flexibility



Technical data	
Dimensions in mm (width)	936
Dimensions in mm (height)	51
Casing height incl. connection box in mm	51
Dimensions in mm (depth)	520
Cutout dimensions in mm (width) with surface-mounted installation	916
Cutout dimensions in mm (depth) with surface-mounted installation	500
Internal cutout dimensions in mm (width) with flush installation	916
Internal cutout dimensions in mm (depth) with flush installation	500
External cutout dimensions in mm (width) with flush installation	940
External cutout dimensions in mm (depth) with flush installation	524
Weight in kg	21
Total rated load in kW	11.0
Voltage in V	230
Connection cable length in m	1.4
Standard accessories	
Mains cable	•

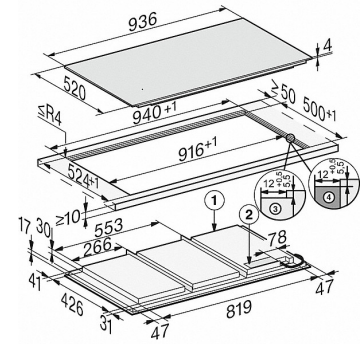
KM 7897 FL

Induction hob with onset controls
with a width of 936mm and full-surface induction for maximum flexibility



KM 7697 FL, KM 7897 FL (installation drawings) - onset

- 1) Front
- 2) Mains connection box with mains connection cable, L = 1440 mm, are enclosed loosely,



KM 7697 FL, KM 7897 FL (installation drawings) - flush-fit

- 1) Front
- 2) Mains connection box with mains connection cable, L = 1440 mm, are enclosed loosely
- 3) Stepped cut-out natural stone worktop
- 4) Wood support 12 mm (not supplied)