

CSDA 7001 FL

SmartLine element
as downdraft extractor for extraction or recirculation operation



- Intuitive quick selection via number sequences – Smart Select
- Elegant design – for flush or raised installation
- Seamlessly integrates with any SmartLine element
- Efficient filtration- 10-ply stainless-steel grease filter
- Energy-efficient and quiet - powerful ECO motor

EAN: 4002516304906 / material number: 11402230

Construction type	
Downdraft extractor	•
Design	
Flush installation	•
Frameless – surface-mounted	•
Operating modes	
Type of air guide	Convertible
Recirculation conversion kit (order separately)	DUU 1000-2
User convenience	
Operation via sensor controls	Smart Select
Digital power level display	•
Display colour	Yellow
Run-on time 5 min.	•
Efficiency and sustainability	
ECO motor	•
Cleaning convenience	
Easy to clean ceramic glass	•
CleanCover	•
Filter system	
Number of dishwasher safe stainless steel grease filters	1
Air throughput with max. duct diameter in extraction mode	
Air throughput in Level 2 (m ³ /h) according to EN 61591	290
Sound power in Level 2 (dB(A) re 1 pW) according to EN 60704-3	58
Sound pressure in Level 1 (dB(A) re 20 µPa) according to EN 60704-2-13	29
Sound pressure in Level 2 (dB(A) re 20 µPa) according to EN 60704-2-13	43
Sound pressure in Level 3 (dB(A) re 20 µPa) according to EN 60704-2-13	51
Sound power in Booster level (dB(A) re 20 µPa) acc. to EN 60704-2-13	55
Air throughput in recirculation mode	
Air throughput in Level 1 (m ³ /h) according to EN 61591	100
Air throughput in Level 2 (m ³ /h) according to EN 61591	235
Air throughput in Level 3 (m ³ /h) according to EN 61591	380
Air throughput in Booster level (m ³ /h) according to EN 61591	460
Sound power in Level 1 (dB(A) re 1 pW) according to EN 60704-3	49
Sound power in Level 2 (dB(A) re 1 pW) according to EN 60704-3	63
Sound power in Level 3 (dB(A) re 1 pW) according to EN 60704-3	73
Sound power in Booster level (dB(A) re 1 pW) acc. to EN 60704-3	78
Sound pressure in Level 1 (dB(A) re 20 µPa) according to EN 60704-2-13	34
Sound pressure in Level 2 (dB(A) re 20 µPa) according to EN 60704-2-13	49
Sound pressure in Level 3 (dB(A) re 20 µPa) according to EN 60704-2-13	58
Sound power in Booster level (dB(A) re 20 µPa) acc. to EN 60704-2-13	63
Safety	
Safety switch-off	•
FlameGuard	•

more information:
<http://www.miele.co.uk/domestic>

For further information please see next page...

CSDA 7001 FL

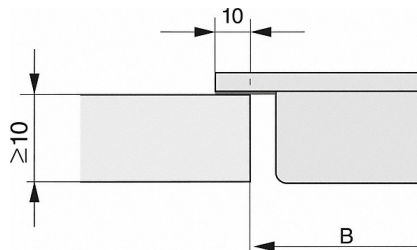
SmartLine element
as downdraft extractor for extraction or recirculation operation



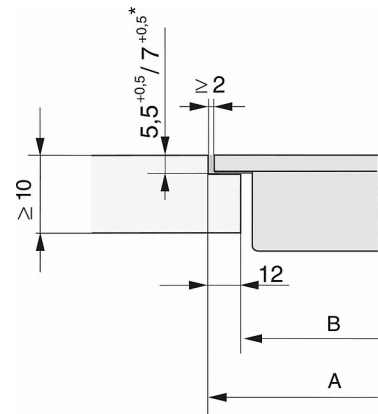
Technical data set	
Dimensions in mm (width)	120
Dimensions in mm (height)	168
Dimensions in mm (depth)	520
Casing height incl. connection box in mm	168
Cut-out dimensions in mm (width) for onset installation	100
Cut-out dimensions in mm (depth) for onset installation	500
Inner cut-out dimensions in mm (width) for flush-fit installation	100
Inner cut-out dimensions in mm (depth) for flush-fit installation	500
Outer cut-out dimensions in mm (width) for flush-fit installation	124
Outer cut-out dimensions in mm (depth) for flush-fit installation	524
Weight in kg	11
Total rated load in kW	0.2
Voltage in V	230
Fuse rating in A	10
Connection cable length in m	2
Installation notes	
Plinth fan with vent connection	•
Extraction connection at side and rear	•
Dimensions of the exhaust ducting connector in mm (width)	222
Dimensions of the exhaust ducting connector in mm (depth)	89
Standard accessories	
Mains cable with plug	•
Ducting system to the plinth fan	•

CSDA 7001 FL

SmartLine element
as downdraft extractor for extraction or recirculation operation

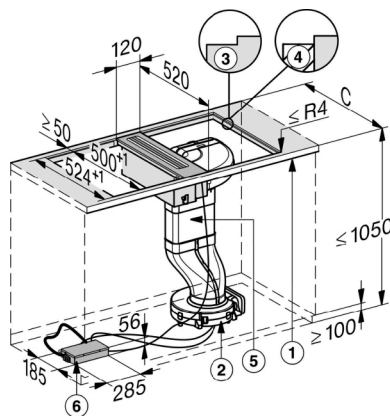


CS 7000 FL (Installation drawing)



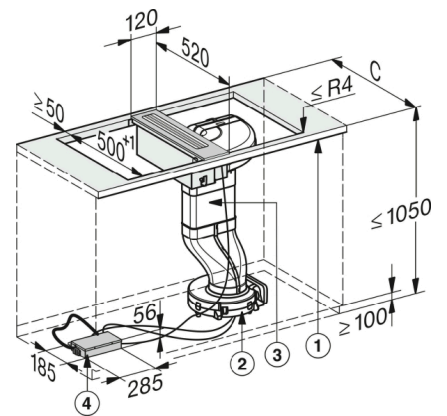
CS 7000 FL, flush (Installation drawing)

*7+0,5 = CS7611 (Wok)



CSDA 7001 - flush (Installation drawing)

- 1) front
- 2) Fan (in the plinth lying on the floor)
- 3) Stepped cut-out
- 4) 12 mm wooden panel (not supplied as standard)
- 5) Air duct
- 6) E-box

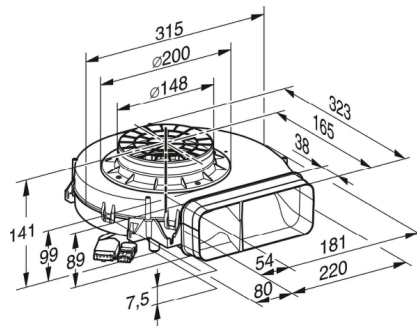


CSDA 7001 - supported installation (Skizze)

- 1) front
- 2) Fan (in the plinth lying on the floor)
- 3) Air duct
- 4) E-Box

CSDA 7001 FL

SmartLine element
as downdraft extractor for extraction or recirculation operation



Plinth blower for CSDA 7001 (Installation drawing)