

## Operating and installation instructions Downdraft extractor



To prevent the risk of accidents or damage to the appliance, it is **essential** to read these instructions before it is installed and used for the first time.

# Contents

---

<b>Caring for the environment</b> .....	3
<b>Warning and Safety instructions</b> .....	4
<b>Modes of operation</b> .....	13
<b>Guide to the appliance</b> .....	14
<b>Operation</b> .....	16
Extending/retracting the deflector plate, switching the fan on/off .....	16
To select a power level .....	16
Selecting the run-on time .....	17
Switching the hob lighting on/off .....	17
<b>Energy saving tips</b> .....	18
<b>Cleaning and care</b> .....	19
Housing .....	19
Important information for appliances with stainless steel surfaces .....	19
Grease filters and panel for edge extraction .....	20
Charcoal filter .....	22
Disposing of charcoal filters .....	22
<b>Installation</b> .....	23
Before installation.....	23
Assembly parts.....	23
Appliance dimensions .....	24
Extraction mode .....	30
Recirculation mode .....	30
<b>Connection for air extraction</b> .....	31
<b>Electrical connection</b> .....	32
<b>After Sales / Warranty</b> .....	33
Position of the data plate .....	33
<b>Technical data</b> .....	34

### Disposal of the packing material

The packaging is designed to protect the appliance from damage during transportation. The packaging materials used are selected from materials which are environmentally friendly for disposal and should be recycled.

Recycling the packaging reduces the use of raw materials in the manufacturing process and also reduces the amount of waste in landfill sites.

### Disposing of your old appliance

Electrical and electronic appliances often contain valuable materials. They also contain specific materials, compounds and components, which were essential for their correct function and safety. These could be hazardous to human health and to the environment if disposed of with your domestic waste or if handled incorrectly. Please do not, therefore, dispose of your old appliance with your household waste.



Please dispose of it at your local community waste collection / recycling centre for electrical and electronic appliances, or contact your dealer or Miele for advice. You are also responsible for deleting any personal data that may be stored on the appliance being disposed of. Please ensure that your old appliance poses no risk to children while being stored prior to disposal.

## Warning and Safety instructions

---

This cooker hood complies with all relevant local and national safety requirements. Inappropriate use can, however, lead to personal injury and material damage.

Read the operating and installation instructions carefully before using the cooker hood. They contain important information on its safety, installation, use and maintenance. This prevents both personal injury and damage to the cooker hood.

In accordance with standard IEC 60335-1, Miele expressly and strongly advises that you read and follow the instructions in the chapter on installing the appliance as well as the safety instructions and warnings.

Miele cannot be held liable for injury or damage caused by non-compliance with these instructions.

Keep these instructions in a safe place and pass them on to any future owner.

### Correct application

▶ This cooker hood is intended for use in domestic households and similar working and residential environments.

▶ The cooker hood is not intended for outdoor use.

▶ It must only be used as a domestic appliance to extract vapours and remove odours from cooking.

Any other usage is not supported by the manufacturer and could be dangerous.

▶ The cooker hood can only be used by people with reduced physical, sensory or mental capabilities, or lack of experience and knowledge, if they are supervised whilst using it, or have been shown how to use it in a safe way and recognise and understand the consequences of incorrect operation.

### Safety with children

- ▶ Children under 8 years of age must be kept away from the cooker hood unless they are constantly supervised.
- ▶ Children aged 8 and older may only use the cooker hood without supervision if they have been shown how to use it and are able to do so in a safe manner. Children must be able to understand and recognise the possible dangers caused by incorrect operation.
- ▶ Children must not be allowed to clean or maintain the cooker hood unsupervised.
- ▶ Please supervise children in the vicinity of the cooker hood and do not let them play with it.
- ▶ Danger of suffocation! Whilst playing, children may become entangled in packaging material (such as plastic wrapping) or pull it over their head with the risk of suffocation. Keep packaging material away from children.

## Warning and Safety instructions

---

### Technical safety

- ▶ Unauthorised installation, maintenance and repairs can cause considerable danger for the user. Installation, maintenance and repairs must only be carried out by a Miele authorised technician.
- ▶ A damaged appliance can be dangerous. Check it for visible signs of damage. Do not use a damaged appliance.
- ▶ The electrical safety of this appliance can only be guaranteed when correctly earthed. It is essential that this standard safety requirement is met. If in any doubt please have the electrical installation tested by a qualified electrician.
- ▶ Reliable and safe operation of this cooker hood can only be assured if it has been connected to the mains electricity supply.
- ▶ The connection data (voltage and frequency) on the data plate of the cooker hood must match the mains electricity supply in order to avoid the risk of damage to the cooker hood  
Compare this before connecting the appliance to the mains. Consult a qualified electrician if in any doubt.
- ▶ Do not connect the appliance to the mains electricity supply by a multi-socket unit or an extension lead. These are a fire hazard and do not guarantee the required safety of the appliance.

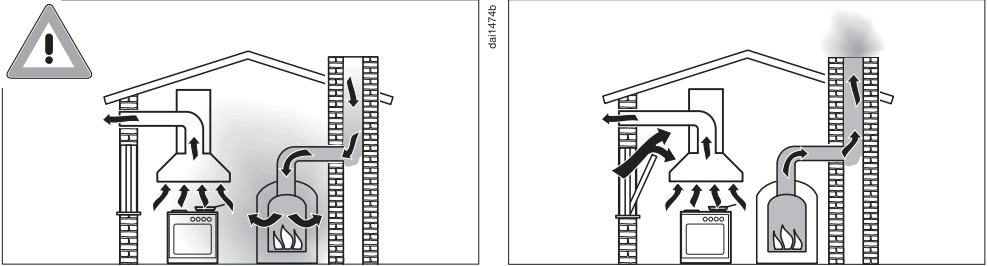
## Warning and Safety instructions

---

- ▶ For safety reasons, this appliance may only be used after it has been built in.
- ▶ The cooker hood must not be used in a non-stationary location (e.g. on a ship).
- ▶ Touching electrical components and tampering with electrical and mechanical parts is highly dangerous to the user and can cause operational faults.  
Only open the housing as described in the instructions given in the installation sheet and in the Cleaning and care section of this booklet. Under no circumstances should any other parts of the housing be opened.
- ▶ The manufacturer's warranty will be invalidated if the appliance is not repaired by a Miele authorised technician.
- ▶ Miele can only guarantee the safety of the appliance when genuine original Miele replacement parts are used. Faulty components must only be replaced by Miele spare parts.
- ▶ If the electrical connection cable is faulty it must only be replaced by a Miele authorised technician to protect the user from danger.
- ▶ During installation, maintenance and repair work, the appliance must be disconnected from the mains electricity supply.

# Warning and Safety instructions

Using at the same time as another heating appliance that depends on the air from the room



## Danger of toxic fumes!

Great care should be taken when using the cooker hood in the same room or the same area of the house at the same time as another heating appliance that depends on the air from the room. Such heating appliances draw in air from the room and duct exhaust gases out through a chimney or extraction ducting. They include gas, oil, wood and coal-fired boilers and heaters, continuous flow or other water heaters, gas hobs and ovens.

The cooker hood draws in air from the kitchen and from neighbouring rooms. This applies to the following modes of operation:

- extraction mode
- extraction mode with an external motor
- recirculation mode with a recirculation box installed outside the room

If there is insufficient air, negative pressure will occur. The heating appliance may be starved of oxygen. This impairs combustion. Harmful gases could be drawn from the chimney or extraction ducting back into the room.

**Risk of death!**



## Warning and Safety instructions

---

In order to ensure safe operation and to prevent gases given off by the heating appliance from being drawn back into the room when the cooker hood and the heater are both operated simultaneously, an underpressure in the room of 0.04 mbar (4 Pa) is the maximum permissible.

Sufficient ventilation can be maintained by air inlets which cannot be blocked, e.g. in windows, doors and outside wall vents. The cross-section of the inlet openings must enable sufficient ventilation. A ventilation brick alone is not generally sufficient to ensure safe ventilation.

The overall ventilation condition of the dwelling must be taken into account. If in any doubt, seek the advice of a competent building regulations inspector or qualified gas fitter (GasSafe in the UK).

If the cooker hood is being operated in recirculation mode, whereby the air is redirected into the room in which it is installed, the above restrictions do not apply.

# Warning and Safety instructions

---

## Correct use

- ▶ Risk of crushing! Do not reach into the travel area of the extractor as it moves up or down.
- ▶ Open flames are a fire hazard.  
The use of an open flame under the cooker hood is not permitted. To avoid the danger of fire, do not flambé or grill over an open flame. When switched on, the cooker hood could draw flames into the filter. Fat deposits could ignite, presenting a fire hazard.
- ▶ Always switch the cooker hood on when a cooking zone is in use, otherwise condensation may collect in the hood, which could cause corrosion.
- ▶ Overheated oil and fat can ignite, causing fire damage to the cooker hood.  
When cooking with oil or fat, chip pans and deep fat fryers, etc, do not leave the pans unattended. Similarly, never leave an open grill unattended when grilling.
- ▶ Do not use the cooker hood without the filters in place. This way you will avoid the risk of grease and dirt getting into the appliance and hindering its smooth operation.
- ▶ There is a risk of fire if the cooker hood is not cleaned as described in these operating instructions.
- ▶ The cooker hood can get very hot during cooking due to heat rising from the hob.  
Do not touch the housing or the grease filters until the cooker hood has cooled down.

### Correct installation

- ▶ Refer to the cooker or hob manufacturer's instructions as to whether a cooker hood may be operated above the cooker/hob.
- ▶ Safety regulations prohibit the fitting of a cooker hood over solid fuel stoves.

Warning: this cooker hood cannot be operated in combination with a gas hob.

- ▶ The distances given in “Installation” must be observed when fitting the cooker hood.
- ▶ Exhaust ducting must be of non-inflammable material. Suitable material is available from Miele specialist dealers or the Miele Spares Dept.
- ▶ The appliance must not be connected to a chimney or flue which is in use. Neither should it be connected to ducting which ventilates rooms with fireplaces.
- ▶ If exhaust air is to be extracted into a chimney or ventilation duct no longer used for other purposes, seek professional advice.

## Warning and Safety instructions

---

### Cleaning and care

▶ Do not use a steam cleaning appliance to clean this appliance. The steam could reach electrical components and cause a short circuit.

### Accessories

▶ Only use genuine original Miele accessories and spare parts with this appliance. Using accessories or spare parts from other manufacturers will invalidate the warranty and Miele cannot accept liability.

Depending on the model of the cooker hood, the following options are available:

## **Extraction mode**

The cooking vapours are drawn in by the cooker hood. The air is then passed via the edge extraction panel through the grease filters, cleaned and then directed outside.

## **Recirculation mode**

(requires a conversion kit and charcoal filters available as optional extras)

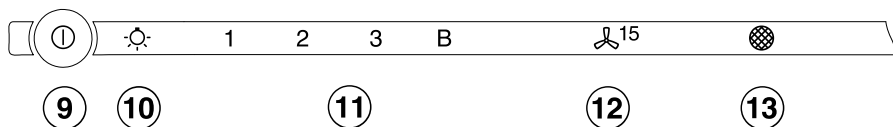
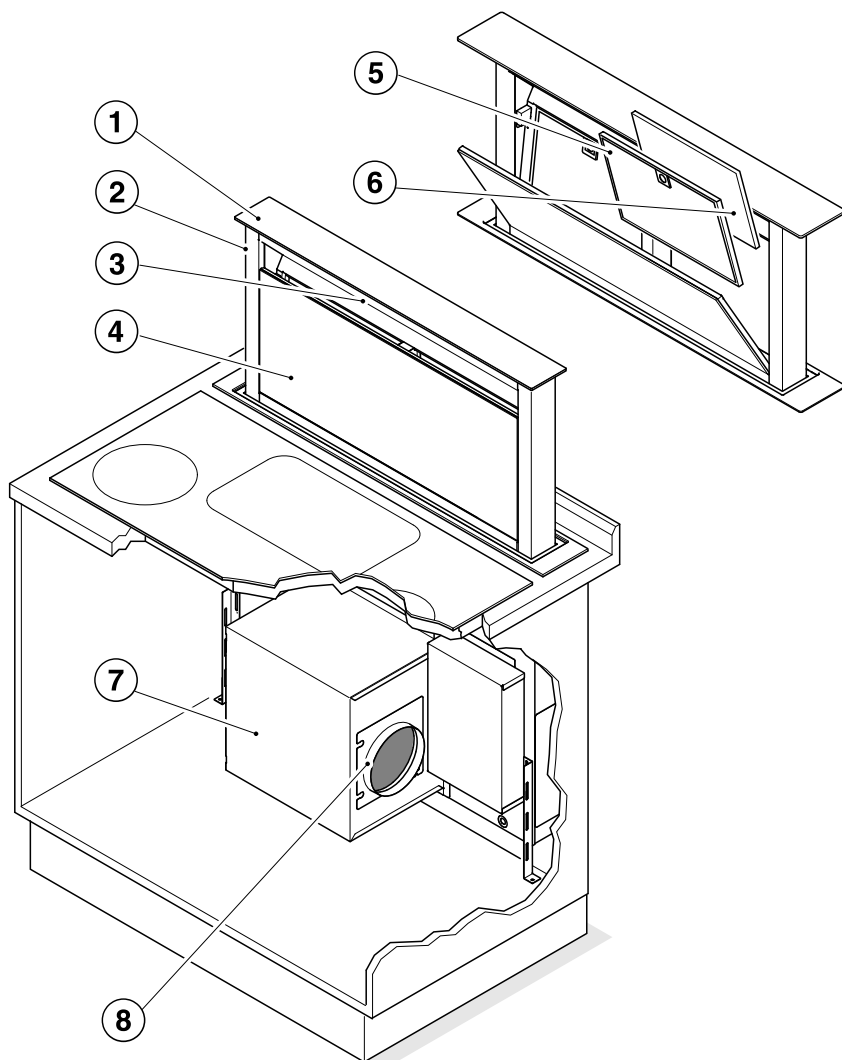
The air is drawn in and passed via the edge extraction panel through the grease filters and then through the charcoal filters. The cleaned air is then recirculated back into the kitchen.

## **Operation with an external motor**

(requires conversion kit DEXT 6890, available as an optional extra)

The conversion kit is required if you wish to install the motor in a location of your choice (within the home) away from the downdraft extractor unit. The motor is connected to the extractor unit by a special control cable and controlled using the control elements on the extractor unit.

# Guide to the appliance



dal3453

- ① Controls
- ② Retractable deflector plate
- ③ Hob lighting
- ④ Edge extraction panel
- ⑤ Grease filters
- ⑥ Charcoal filters  
(special accessory for recirculation mode)
- ⑦ Motor unit
- ⑧ Exhaust socket
- ⑨ On/off control for the retractable deflector plate and the fan
- ⑩ Hob lighting control
- ⑪ Controls to select the fan power level
- ⑫ Run-on option control
- ⑬ Operating hours control

# Operation


---

## Extending/retracting the deflector plate, switching the fan on/off



### Risk of crushing!

Do not reach into the travel area of the extractor as it moves up or down.

Switch the fan on as soon as you start cooking. This is to ensure that vapours are captured right from the start.

- Touch the On/Off control , until all symbols are lit up.

The deflector plate rises up. The fan switches on at power level **2**, the hob lighting switches on at 70% brightness.

- Touch the On/Off control  briefly to switch the fan off.
- The fan can be switched on again by briefly touching one of the fan power level controls.
- To retract the deflector plate press the On/Off control , until all symbols are lit up.

The deflector plate retracts. All symbols go out.

## To select a power level

For light to heavy cooking vapours and odours, select from power levels **1** to **3**.

For short periods of cooking food with intensive vapours and a strong aroma, e.g. when searing meat, select Booster setting **B**.

- Select the power level required by touching a control from **1** to **B**.

## Reducing power down from the Booster setting


The fan automatically switches back to power level **3** after 5 minutes.




## Selecting the run-on time

It is advisable to run the fan for a few minutes after cooking has finished to neutralise any lingering vapours and odours in the air.


With the run-on option the fan switches itself off automatically after 15 minutes.

- After you have finished cooking, press the run-on option control  **15**.

The fan will switch off after 15 minutes. The deflector plate remains extended.

- If you touch the run-on option control  **15** again, the fan will remain on.

## Switching the hob lighting on/off

- The cooker hood lighting is switched on and off when the deflector plate is extended and retracted. The hob lighting switches on at 70% brightness.
- Touch the hob lighting control  to switch the lighting to 100% brightness.
- Touch the hob lighting control again to switch the lighting off.

## Energy saving tips

---

This cooker hood operates very efficiently and economically. The following will help you to save even more energy when using it:

- Ensure that there is sufficient ventilation in the kitchen when cooking. In extraction mode, if there is insufficient air flow the cooker hood cannot operate efficiently and this causes increased operating noise levels.
- Always cook with the lowest possible setting. This produces fewer cooking vapours, so you can use a lower cooker hood power level and therefore benefit from reduced energy consumption.
- Check the power level selected on the cooker hood. A lower power level is generally sufficient for the majority of cooking. Only use the Booster setting when necessary.
- When a large volume of cooking vapours is being produced, switch to a high power level in good time. This is more efficient than operating the cooker hood for longer to try to capture cooking vapours which have already been distributed throughout the kitchen.
- Make sure that you switch the cooker hood off after use.
- Clean or change the filters at regular intervals. Heavily soiled filters reduce performance, increase the risk of fire and are unhygienic.


## Housing

### General information

Unsuitable cleaning agents can damage the surfaces and control elements.

Do not use any cleaning agents containing soda, acid, chloride or solvent.

Do not use any abrasive cleaning agents, e.g. powder cleaners or cream cleaners and abrasive sponges, as well as pot scourers or sponges which have been used previously with abrasive cleaning agents.

 Moisture in the cooker hood can cause damage.

Make sure that water does not get into the cooker hood.

- All external surfaces and control elements can be cleaned using hot water with a small amount of washing-up liquid applied with a well wrung-out soft sponge or cloth.
- After cleaning, wipe the surfaces dry using a soft cloth.

### Important information for appliances with stainless steel surfaces

Stainless steel surfaces can be cleaned with a non-abrasive cleaning agent designed specifically for use on stainless steel.

To prevent the surfaces from quickly becoming dirty again, we recommend treating them with a stainless steel care product (available from Miele).

### Important for appliances with glass surfaces

- Glass surfaces can be cleaned using a proprietary non-abrasive cleaning agent designed specifically for use on glass.

# Cleaning and care

## Grease filters and panel for edge extraction



### Fire hazard

Oversaturated grease filters are a fire hazard.

Clean the grease filters at regular intervals.


The edge extraction panel and the reusable metal grease filters in the appliance remove solid particles (grease, dust, etc.) from the kitchen vapours, preventing soiling of the cooker hood.

The grease filters and the panel must be cleaned at regular intervals.

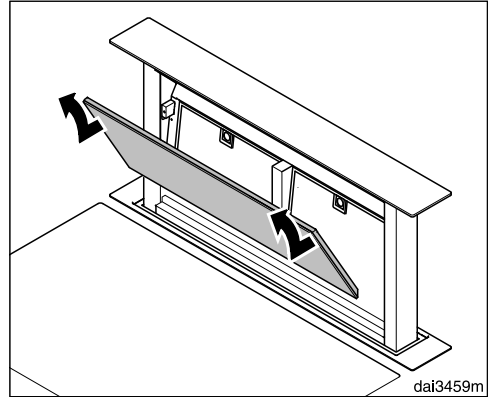
Heavily soiled grease filters hinder air extraction and will lead to increased levels of soiling in the cooker hood and in the kitchen.

### Cleaning interval

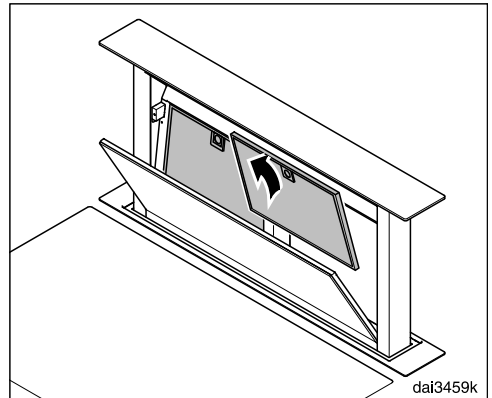
The edge extraction panel should be cleaned regularly (at least every 3 - 4 weeks) to avoid a build-up of grease.

After 30 operating hours the grease filter symbol  will light up when the deflector plate is out, to remind you to clean the edge extraction panel and the grease filters.

## Removing the panel and grease filters



- The panel is held in place by magnets at the top. Pull the panel forwards by the upper edge, unhook it at the bottom and remove it.



- Open the grease filter retainer catch and remove them.
- If charcoal filters are fitted to the back of the grease filters, they must be removed before cleaning (see "Charcoal filters").

## Cleaning the panel

- Follow the instructions under “Housing”.

The panel is not suitable for cleaning in a dishwasher.

## Cleaning the grease filters by hand

- Clean the filters with a soft nylon brush in a mild solution of hot water and a small amount of washing-up liquid. Do not use “neat” washing up liquid.

## Unsuitable cleaning agents

Unsuitable cleaning agents can cause damage to the surface of the filters if used regularly.

Do not use:

- cleaning agents containing descaling agents
- powder cleaners, cream cleaners
- aggressive multi-purpose cleaning agents or spray cleaners for grease
- oven sprays

## Cleaning the grease filters in the dishwasher

- Place the grease filters upright or slightly inclined in the lower basket. Ensure the spray arm is not obstructed.
- Use a commercially available household dishwasher detergent.
- Select a dishwasher programme with a wash temperature between 50 °C and 65 °C.



Depending on the detergent used, cleaning the filters in a dishwasher may cause the inside filter surfaces to become discoloured. This will not affect the functioning of the grease filters in any way.

## After cleaning

- After cleaning, leave the filters to dry on an absorbent surface before replacing them.
- When removing the panel and filters for cleaning, also clean off any residues of oil or fat from the now accessible parts of the casing to prevent the risk of these catching fire.

## Resetting the grease filter operating hours counter

After cleaning, the operating hours counter needs to be re-set.

- With the deflector plate out, touch the grease filter control  for approx. 3 seconds until the grease filter symbol  goes out.

## Cleaning and care

### Charcoal filter

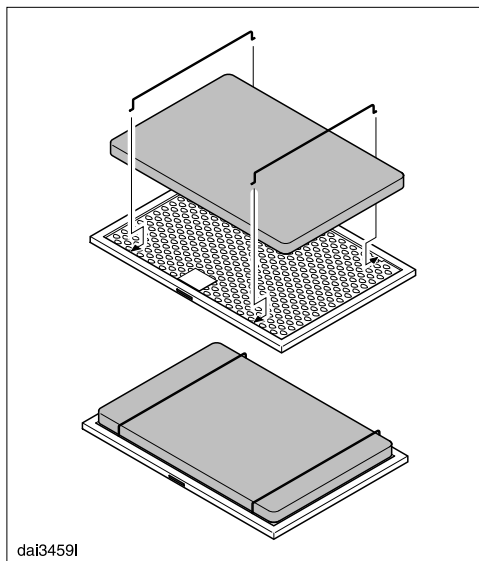
In recirculation mode with conversion kit DUU 2900 two charcoal filters are fitted into the recirculation unit. To do this, follow the Operating and installation instructions supplied.

In recirculation mode with conversion kit DUU 151 two DKF 22-1 charcoal filters are fitted on the back of the grease filters. These absorb the odours which arise during cooking.

Charcoal filters are available from your dealer or from Miele.

### Fitting/replacing the charcoal filter

- Before fitting or replacing a charcoal filter, the panel and the grease filters must first be taken out (see previous section for instructions on how to do this).
- Take the charcoal filter out of its packaging.



- Secure the charcoal filters to the back of the grease filters with the retainers provided.
- Replace the grease filters and the panel.


### When to change the charcoal filter

Replace the charcoal filters when they no longer absorb kitchen odours effectively, and at least every 6 months.

### Disposing of charcoal filters

- Used charcoal filters can be disposed of with normal household waste.

## Before installation

 Before installation, it is important to read the information given on the following pages as well as the “Warning and Safety instructions” at the beginning of this booklet.



**12 self-tapping screws 3.5 x 9.5 mm**

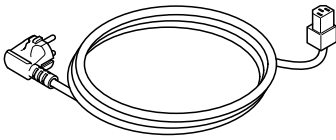


**6 screws M4 x 8 mm**



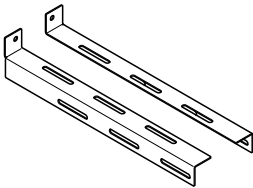
**6 screws 4 x 15 mm**

## Assembly parts



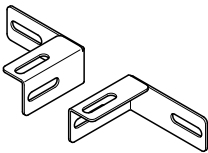
dali3459o

## Connection cable



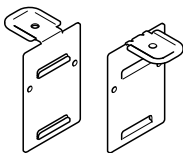
dali3459p

## 2 lower brackets



dali3459q

## 2 upper brackets



dali3459s

**2 retaining brackets** not required for this type of appliance

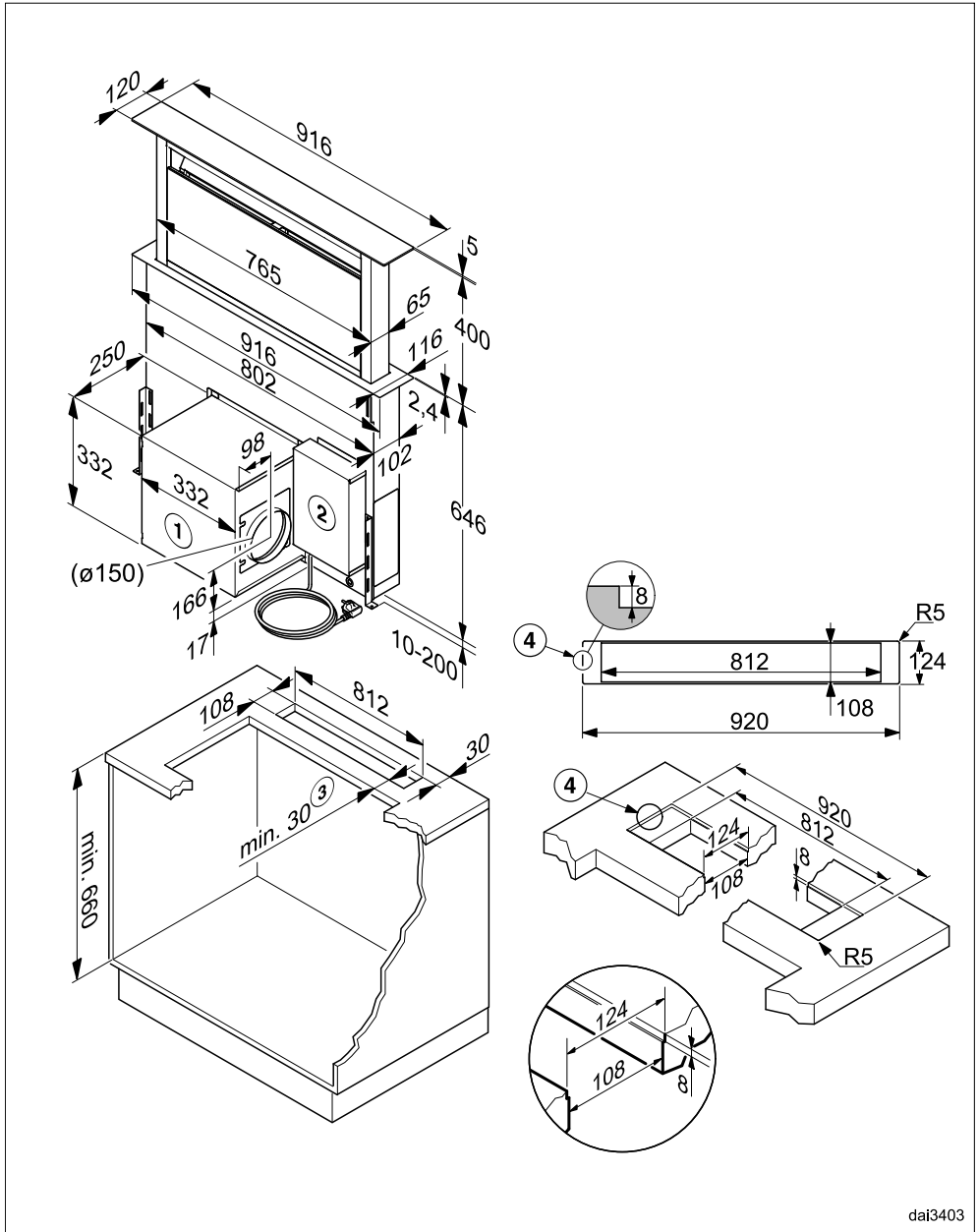
00034589

MaxxFaber

00023673

# Installation

## Appliance dimensions



dai3403



- ① The motor can be rotated for installation, so exhaust air can be extracted upwards, left, right or downwards.  
The motor can also be fitted in the same position at the back of the appliance. If the motor is fitted at the back of the appliance, the back panel of the furniture housing unit must be cut out in the installation area and sufficient installation space must be provided behind the unit.
- ② The electrical connection box can be positioned as required on the left beside the motor on the hood itself or in the housing unit.
- ③ Ensure that materials are sufficiently stable.
- ④ Stepped cut-out for flush-fit installation in stone worktops (granite, marble)

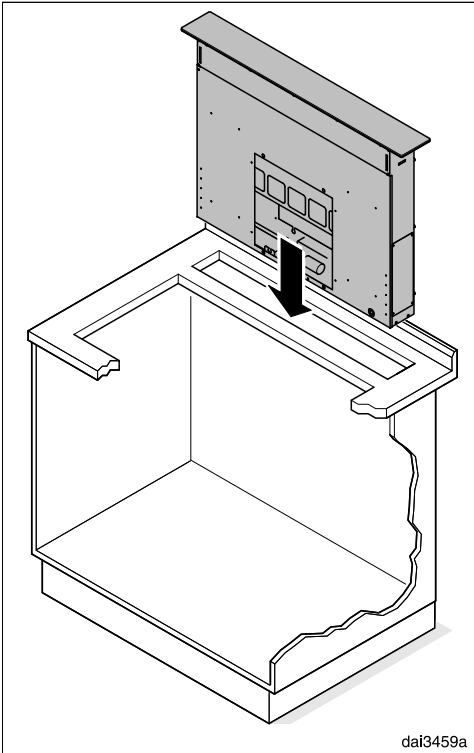
Exhaust connection  $\varnothing$ 150 mm

Cannot be installed in conjunction with a gas hob.

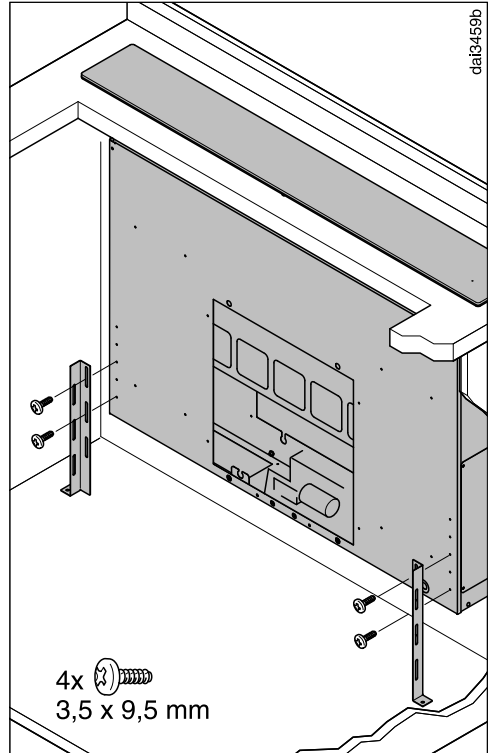
If you are planning to install an oven/cooker in front of the appliance, the appropriate installation advice and dimensions regarding cool air circulation must be observed.

The installation location must be easily accessible. The downdraft extractor must also be freely accessible and located such that it can be dismantled in the event of future service requirements.

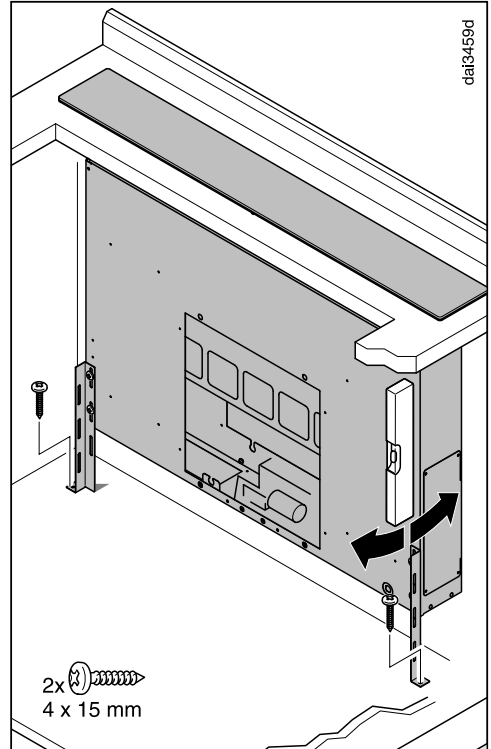
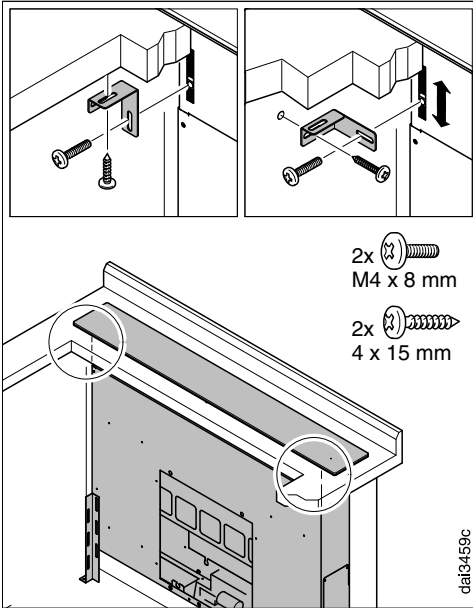
# Installation



- Place the downdraft extractor carefully into the ready-prepared cut-out (see “Appliance dimensions”).



- Secure each of the lower brackets with two screws on the casing, so that the feet rest on the floor of the housing unit. To do this, you can also rotate the brackets when fitting them.



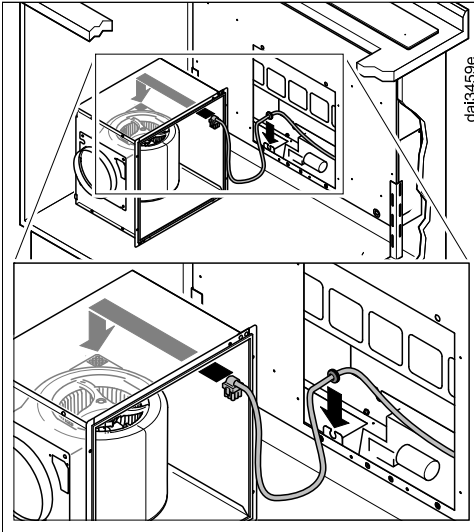
- Fit the upper brackets loosely to the downdraft extractor casing.

The brackets can be pushed into the holder.

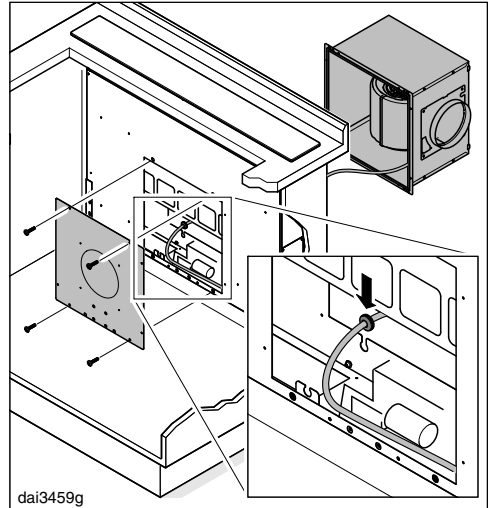
- Push the brackets upwards and screw them into place under the worktop.
- Tighten the screws on the casing.
- Alternatively the brackets can also be rotated when fitting them, so that the downdraft extractor can be secured to the sides of the housing unit.

- Align the downdraft extractor vertically and screw the brackets securely to the base of the housing unit.

# Installation



- Guide the connection cable from the downdraft extractor to the motor unit and plug it into the motor.
- Position the cable and push into the holder on the casing with the cable grommet supplied.

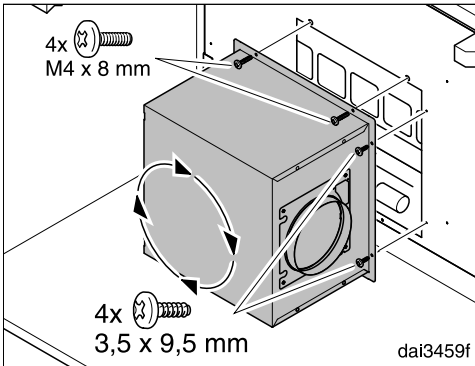


- Alternatively the motor can be fitted onto the downdraft extractor from behind.
  - To do this, remove the back cover from the casing and fit it onto the front.
  - Place the cable grommet onto the connection cable and insert it into the holder on the rear opening of the appliance.

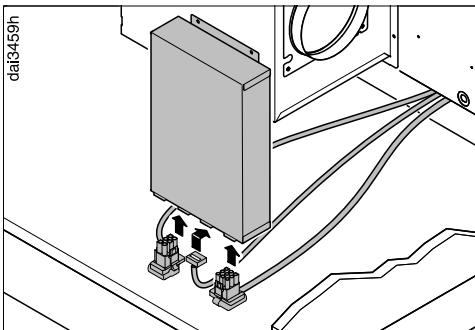
**Tip:** The DEXT 6890 conversion kit provides a means of installing the motor in a suitable alternative location of your choice within the home.

It is electrically connected to the downdraft extractor by a 7 m long connection cable.

The conversion kit is available to purchase as an optional extra. It is supplied with its own installation instructions which must be observed.



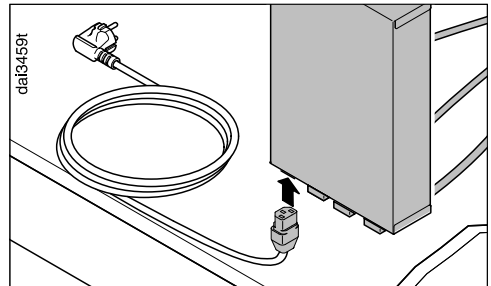
- Rotate the motor so that the exhaust socket points in the required direction and secure it to the downdraft extractor.



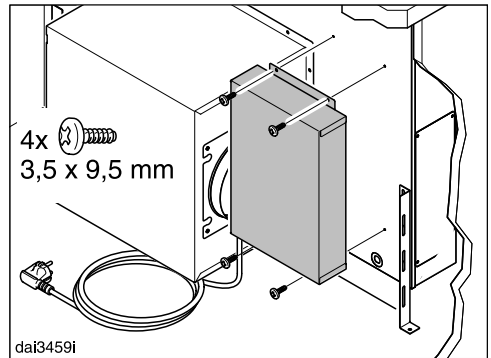
- Guide the three connection leads on the bottom of the downdraft extractor through the casing and plug them into the correct sockets at the bottom of the connection box.

Make sure that the plugs click in firmly.

Close the locking catches on the middle plug.



- Plug the electrical cable supplied into the correct socket on the bottom of the connection box.



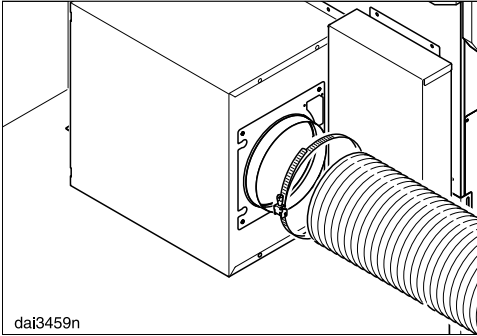
- Secure the connection box to the downdraft extractor. It can either be fitted in the position shown or alternatively it can be fitted onto the other side of the motor, onto the back of the downdraft or onto a cabinet wall.

If moisture gets into the unit this can cause an electric shock.

Therefore the connection box must not be in contact with the floor.

Position and secure the cable in a suitable place.

# Installation



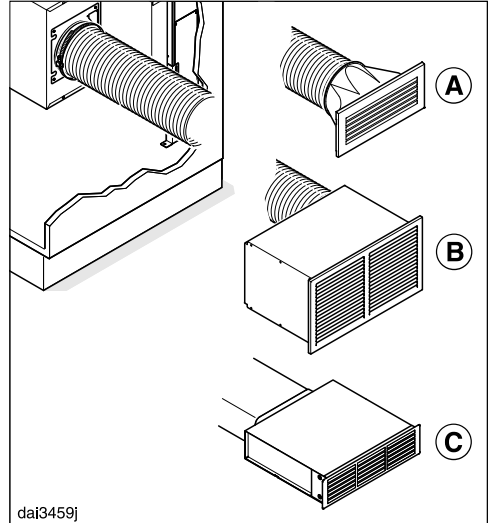
- Attach the exhaust ducting, e.g. flexible hose, to the exhaust socket using a hose clip (available as an optional accessory).

## Extraction mode

- See “Connection for air extraction” for further instructions on fitting the ducting.

## Recirculation mode

If site conditions are not suitable for the cooker hood to be used with air extraction, the downdraft extractor must be set up for recirculation. There are several options for this:



- connect DUU 151 recirculation conversion kit (A) to the exhaust socket. The downdraft extractor grease filters must be fitted with DKF 22-1 charcoal filters (see “Cleaning and care”)
- or
- connect recirculation box DUU 2900 (B) or recirculation box DUU 1000 (C) to the exhaust socket.

The charcoal filters are integrated in the recirculation box so charcoal filters do not have to be fitted in the downdraft extractor.

Conversion kits DUU 151, DUU 2900 and DUU 1000 are available to purchase as optional accessories. Conversion kit DUU 1000 must be connected to flat extractor ducting. Flat extractor ducting and accessories are available from retail outlets.

- See the relevant installation instructions for more information.

## Connection for air extraction

**⚠** If the cooker hood is used at the same time as a heating appliance that relies on oxygen from the same room, there is a risk in certain circumstances of toxic fumes building up.

It is essential that the “Warning and Safety” instructions are observed.

The cooker hood should be installed according to local and national building regulations. Seek approval from the building inspector where necessary.

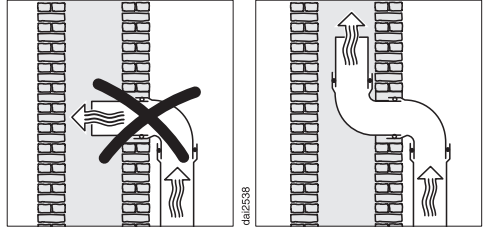
For ducting, use smooth pipes or flexible ducting made from approved non-flammable materials.

To achieve the most efficient air flow rate with the lowest noise levels, please note the following:

- The diameter of the exhaust ducting should not be less than 150 mm.
- If flat ducting is being used, the cross section must not be smaller than the cross sectional area of the exhaust connection.
- The ducting should be as short and straight as possible.
- Only use wide radius bends.
- The ducting must not be kinked or compressed.
- Ensure that all connections are strong and airtight.

Remember that any constriction of the air flow will reduce the air flow rate and increase operating noise.

- If the exhaust is ducted through an outside wall, a telescopic wall vent or a roof vent (available as an optional accessory) is recommended.



- If the exhaust air is to be ducted into a flue, the ducting must be directed in the flow direction of the flue.
- Where ducting is horizontal, it must be laid to slope away at a gradient of at least 1 cm per metre. This is to ensure that condensate cannot drain back into the cooker hood.
- If the ducting is to run through cool rooms, ceiling space, etc., there may be significant variations in temperature between the different areas. The problem of condensation will need to be addressed. The ducting will need to be suitably insulated.

## Electrical connection

---

This cooker hood is supplied for connection to an AC 230 V ~ 50 Hz supply. It must be connected to an earthed socket which complies with relevant regulations.

The electrical installation must comply with VDE 0100 requirements (BS 7671 in the UK).

For increased safety you should protect the appliance with a suitable Residual Current Device (RCD) with a current trip of 30 mA.

It is recommended that you connect the appliance via a suitable socket . The socket should be easily accessible after the appliance has been installed.

If the socket is no longer accessible after installation, an additional means of disconnection must be provided for all poles. Suitable means of disconnection include switches with an all-pole contact gap of at least 3 mm. These include miniature circuit breakers, fuses and contactors (EN 60335).

The relevant connection data can be found on the data plate (see “After Sales/Warranty”). Ensure that this data matches the voltage and frequency of your household power supply.



In the event of a fault which you cannot remedy yourself, please contact your Miele dealer or the Miele Service Department.

Contact details for Miele are given at the end of this booklet. N.B. A call-out fee will be charged for service visits where the problem could have been resolved as described in these instructions.

When contacting your dealer or Miele, please quote the model and serial number of your appliance. These are shown on the data plate.

### **Position of the data plate**

The data plate is visible after removing the grease filters.

### **Warranty: U.K.**

In the U.K., the appliance warranty is valid for 2 years from the date of purchase. However, you must activate your cover by calling 0330 160 6640 or registering online at [www.miele.co.uk](http://www.miele.co.uk).

Please note that telephone calls may be monitored and recorded for training purposes.

### **Warranty: Other countries**

For information on the appliance warranty specific to your country please contact Miele. See end of this booklet for contact details.

## Technical data

---

Fan motor	275 W
Hob lighting	7 W
Total connected load	282 W
Voltage, frequency	AC 230 V, 50 Hz
Fuse rating	5 A
Mains connection cable length	1.5 m
Weight	37 kg

## Data sheet for household cooker hoods

In acc. with delegated regulation (EU) No. 65/2014 and regulation (EU) No. 66/2014

<b>MIELE</b>	
<b>Model name / identifier</b>	DA 6890
Annual Energy Consumption (AEC <sub>hood</sub> )	109,9 kWh/year
Energy efficiency class	C
Energy efficiency index (EEI <sub>hood</sub> )	79,7
Fluid Dynamic Efficiency (FDE <sub>hood</sub> )	18,6
Fluid Dynamic Efficiency class	
A (most efficient) to G (least efficient)	C
Lighting Efficiency (LE <sub>hood</sub> )	42,9 lx/W
Lighting Efficiency class	
A (most efficient) to G (least efficient)	A
Grease Filtering Efficiency	71,6%
Grease Filtering Efficiency class	
A (most efficient) to G (least efficient)	D
Airflow at best efficiency point	400,8 m <sup>3</sup> /h
Air flow (min. speed)	220 m <sup>3</sup> /h
Air flow (max. speed)	450 m <sup>3</sup> /h
Air flow (intensive or boost setting)	710 m <sup>3</sup> /h
Max. air flow (Q <sub>max</sub> )	710 m <sup>3</sup> /h
Air pressure at best efficiency point	361 Pa
Airborne acoustical A-weighted sound power emissions (min. speed)	47 dB
Airborne acoustical A-weighted sound power emissions (max. speed)	60 dB
Airborne acoustical A-weighted sound power emissions (intensive or boost setting)	69 dB
Electrical power input at best efficiency point	216,0 W
Power consumption in off mode (P <sub>o</sub> )	W
Power consumption in standby mode (P <sub>s</sub> )	0,45 W
Nominal power of lighting system	7,0 W
Average illumination of the lighting system on the cooking surface	300 lx
Time increase factor	1,3







## United Kingdom

Miele Co. Ltd., Fairacres, Marcham Road, Abingdon, Oxon, OX14 1TW

Tel: 0330 160 6600, Internet: [www.miele.co.uk/service](http://www.miele.co.uk/service), E-mail: [info@miele.co.uk](mailto:info@miele.co.uk)

### Australia

Miele Australia Pty. Ltd.  
ACN 005 635 398  
ABN 96 005 635 398  
1 Gilbert Park Drive  
Knoxfield, VIC 3180  
Tel: 1300 464 353  
Internet: [www.miele.com.au](http://www.miele.com.au)

### China Mainland

Miele Electrical Appliances Co., Ltd.  
1-3 Floor, No. 82 Shi Men Yi Road  
Jing' an District  
200040 Shanghai, PRC  
Tel: +86 21 6157 3500  
Fax: +86 21 6157 3511  
E-mail: [info@miele.cn](mailto:info@miele.cn)  
Internet: [www.miele.cn](http://www.miele.cn)

### Hong Kong, China

Miele (Hong Kong) Ltd.  
41/F - 4101, Manhattan Place  
23 Wang Tai Road  
Kowloon Bay, Hong Kong  
Tel: (852) 2610 1025  
Fax: (852) 3579 1404  
Email:  
[customerservices@miele.com.hk](mailto:customerservices@miele.com.hk)  
Website: [www.miele.hk](http://www.miele.hk)

### India

Miele India Pvt. Ltd.  
Ground Floor, Copia Corporate Suites  
Plot No. 9, Jasola  
New Delhi - 110025  
Tel: 011-46 900 000  
Fax: 011-46 900 001  
E-mail: [customercare@miele.in](mailto:customercare@miele.in)  
Internet: [www.miele.in](http://www.miele.in)

### Ireland

Miele Ireland Ltd.  
2024 Bianconi Avenue  
Citywest Business Campus  
Dublin 24  
Tel: (01) 461 07 10  
Fax: (01) 461 07 97  
E-Mail: [info@miele.ie](mailto:info@miele.ie)  
Internet: [www.miele.ie](http://www.miele.ie)

### Malaysia

Miele Sdn Bhd  
Suite 12-2, Level 12  
Menara Sapura Kencana  
Petroleum  
Solaris Dutamas No. 1  
Jalan Dutamas 1  
50480 Kuala Lumpur, Malaysia  
Phone: +603-6209-0288  
Fax: +603-6205-3768

### New Zealand

Miele New Zealand Limited  
IRD 98 463 631  
8 College Hill  
Freemans Bay, Auckland 1011  
New Zealand  
Tel: 0800 464 353  
Internet: [www.miele.co.nz](http://www.miele.co.nz)

### Singapore

Miele Pte. Ltd.  
29 Media Circle  
#11-04 ALICE@Mediapolis  
Singapore 138565  
sTel: +65 6735 1191  
Fax: +65 6735 1161  
E-Mail: [info@miele.com.sg](mailto:info@miele.com.sg)  
Internet: [www.miele.sg](http://www.miele.sg)

### South Africa

Miele (Pty) Ltd.  
63 Peter Place  
Bryanston 2194  
P.O. Box 69434  
Bryanston 2021  
Tel: (011) 875 9000  
Fax: (011) 875 9035  
E-mail: [info@miele.co.za](mailto:info@miele.co.za)  
Internet: [www.miele.co.za](http://www.miele.co.za)

### Thailand

Miele Appliances Ltd.  
BHIRAJ TOWER at EmQuartier  
43rd Floor Unit 4301-4303  
689 Sukhumvit Road  
North Klongton Sub-District  
Vadhana District  
Bangkok 10110, Thailand

### United Arab Emirates

Miele Appliances Ltd.  
Showroom 1  
Eiffel 1 Building  
Sheikh Zayed Road, Umm Al Sheif  
P.O. Box 114782 - Dubai  
Tel. +971 4 3044 999  
Fax. +971 4 3418 852  
800-MIELE (64353)  
E-Mail: [info@miele.ae](mailto:info@miele.ae)  
Website: [www.miele.ae](http://www.miele.ae)

**Manufacturer:** Miele & Cie. KG, Carl-Miele-Straße 29, 33332 Gütersloh, Germany

DA 6890

en-GB

M.-Nr. 10 749 391 / 01