

KWT 2612 Vi

MasterCool wine conditioning unit

For high-end design and technology on a large scale.



- Push2open for convenient door-opening assistance
- Various wines at the perfect temperature – 3 temperature zones
- Flexible storage of large wine bottles thanks to FlexiFrame
- Light floods the interior thanks to LED elements – BrilliantLight
- Communication with appliances couldn't be easier – WiFiConn@ct

A

EAN: 4002516336747 / material number: 11530900

Appliance category	
Wine conditioning unit	•
Construction type	
Built-in appliance	•
Integrated appliance	•
Door hinge	Left
Convertible door hinging	•
Side-by-side enabled	•
Design	
Lighting	BrilliantLight
User convenience	
DynaCool	•
SoftClose	•
Push2open	•
MaxLoad hinge	•
FlexiFrame	•
Number of FlexiFrame wooden racks	13
Material of wooden racks	Beechwood
NoteBoard	•
Controls	
No. of temperature zones	3
Sabbath mode	•
Efficiency and sustainability	
Energy efficiency class (A+++ – D)	A
Energy consumption in 24 h in kWh	0,468
Annual energy consumption in kWh	171
Appliance networking	
MobileControl	•
Safety	
Lock function	•
Acoustic door alarm	•
Optical door alarm	•
Technical data	
Niche width in mm	610
Niche height in mm	2.134
Niche depth in mm	629
Appliance width in mm	603
Appliance height in mm	2.127
Appliance depth in mm	629
Weight in kg	148,4
Door hinge technology	Fixed door
Max. door front weight – refrigerator, in kg	73
Climate class	SN-T
Total usable capacity in l	441
0.75 l Bordeaux bottle capacity (no. of bottles)	104
Sound power in dB(A) re1pW	42
Current consumption (mA)	3.000
Voltage in V	220-240
Fuse rating in A	13
Length of supply lead in m	3,0

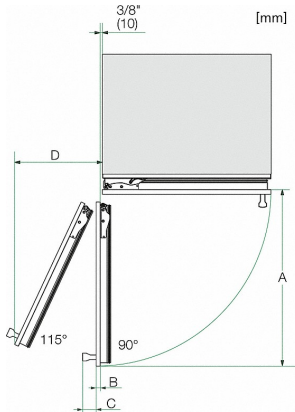
more information:
<http://www.miele.co.uk/domestic>

For further information please see next page...

KWT 2612 Vi

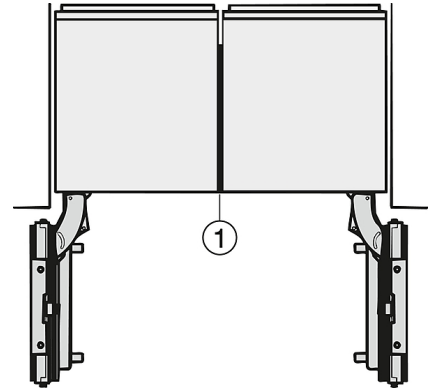
MasterCool wine conditioning unit

For high-end design and technology on a large scale.



Opening angle 90°/115°, right side stop, MasterCool (Sketch) with footnote

- A) Appliance door
 F 2411 Vi, F 2411 SF, F 2471 Vi, F 2471 SF: 525 mm (20 2/3 inch);
 F 2412 Vi, F 2412 SF, F 2472 Vi, F 2472 SF: 525 mm (20 2/3 inch);
 K 2611 Vi, F 2671 Vi, F 2671 SF, KWT 2611 Vi, KWT 2611 SF, KWT 2671 ViS: 677 mm (26 2/3 inch);
 K 2612 Vi, F 2672 Vi, F 2672 SF, KWT 2612 Vi, KWT 2612 SF, KWT 2672 ViS: 677 mm (26 2/3 inch);
 K 2811 Vi, K 2811 SF, F 2811 SF, F 2811 Vi, KF 2811 Vi, KF 2811 SF: 829 mm (32 2/3 inch);
 K 2812 Vi, K 2812 SF, F 2812 SF, F 2812 Vi, KF 2812 Vi, KF 2812 SF: 829 mm (32 2/3 inch);
 K 2911 Vi, K 2911 SF, F 2911 Vi, F 2911 SF, KF 2911 Vi, KF 2911 SF: 982 mm (38 2/3 inch);
 K 2912 Vi, K 2912 SF, F 2912 Vi, F 2912 SF, KF 2912 Vi, KF 2912 SF: 982 mm (38 2/3 inch);
 B) Furniture front (max. 38 mm) (1 1/2 inch)
 C) Door handle
 D) Distance from the door to the wall (without furniture front and door handle):
 F 2411 Vi, F 2411 SF, F 2471 Vi, F 2471 SF: 237 mm (9 1/3 inch);
 F 2412 Vi, F 2412 SF, F 2472 Vi, F 2472 SF: 237 mm (9 1/3 inch);
 K 2611 Vi, F 2671 Vi, F 2671 SF, KWT 2611 Vi, KWT 2611 SF, KWT 2671 ViS: 296 mm (11 2/3 inch);
 K 2612 Vi, F 2672 Vi, F 2672 SF, KWT 2612 Vi, KWT 2612 SF, KWT 2672 ViS: 296 mm (11 2/3 inch);
 K 2811 Vi, K 2811 SF, F 2811 SF, F 2811 Vi, KF 2811 Vi, KF 2811 SF: 363 mm (14 1/3 inch);
 K 2812 Vi, K 2812 SF, F 2812 SF, F 2812 Vi, KF 2812 Vi, KF 2812 SF: 363 mm (14 1/3 inch);
 K 2911 Vi, K 2911 SF, F 2911 Vi, F 2911 SF, KF 2911 Vi, KF 2911 SF: 428 mm (16 7/8 inch);
 K 2912 Vi, K 2912 SF, F 2912 Vi, F 2912 SF, KF 2912 Vi, KF 2912 SF: 428 mm (16 7/8 inch);
 E) ONLY valid for SF versions: A + 25 mm (1 inch)



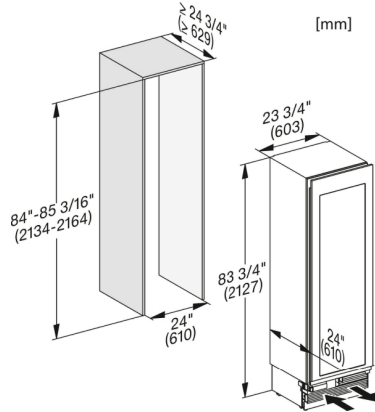
Side-by-side, MasterCool, without partition wall, with heating mat (Sketch) (with footnote)

- 1) Heating mat KSK 2001 (EU, AUS, CN) or KSK 2002 (US, CA, MX, BR)

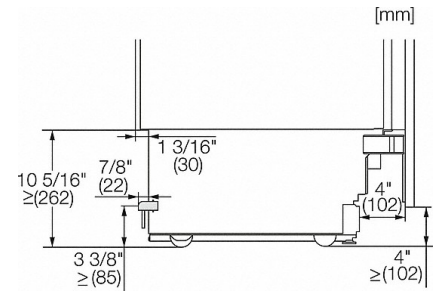
KWT 2612 Vi

MasterCool wine conditioning unit

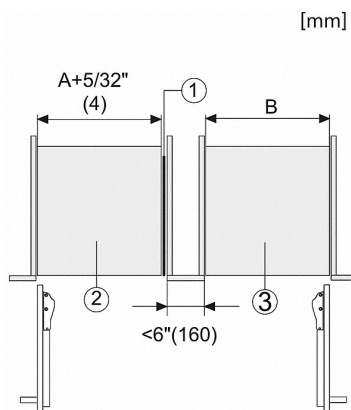
For high-end design and technology on a large scale.



KWT2611Vi, KWT2671ViS, KWT2601Vi, KWT2661ViS, installation, MasterCool, installation drawings

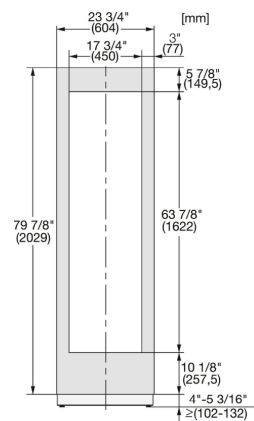


Sideview, MasterCool, Sketch

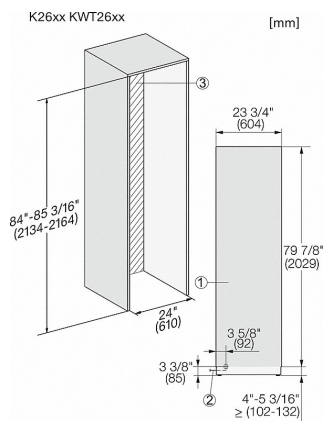


Side-by-Side, MasterCool, footnote, installation drawings

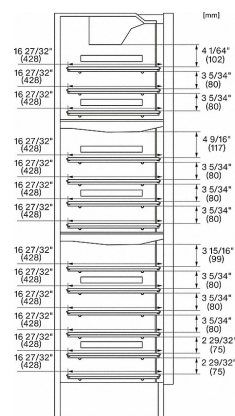
1. KSK 2001/2002
2. Device A
3. Device B
- A = niche device A
- B = niche device B



KFP2455ed/cs, KFP2454ed/cs, front panel, front dimensions, MasterCool, installation drawings



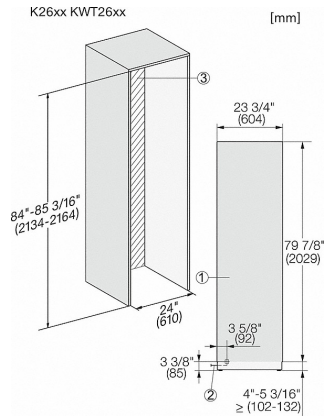
Installation, MasterCool, *footnote, installation drawings



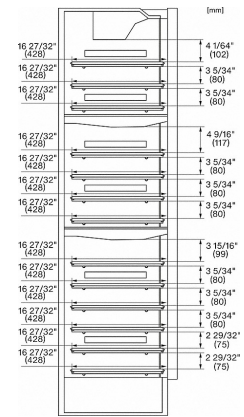
KWT2602Vi/SF, KWT2612Vi/SF, KWT2601Vi/SF, KWT2611Vi/SF, inner space, MasterCool, installation

KWT 2612 Vi

MasterCool wine conditioning unit
For high-end design and technology on a large scale.



1. View from the front
2. Mains connection cable, L = 3000 mm (118 inch)
3. No water/ELT connections permitted in this area



drawings