

VOGUE TV unit

Designer: Andrea Bonini

Year: 2015



DESCRIPTION

The TV unit of the Vogue collection takes up the stylistic code of all Vogue storage units, the structure in glossy lacquered wood is embellished with gold metal details. The top is available in the wood or marble version. The TV unit is equipped with four drawers in glossy lacquered wood and two doors covered in leather embroidered with rhombuses or hexagons. The small version has two drawers. It is possible to combine the TV unit with the TV stand panel, covered in fabric with rhombus embroidery, to be applied to the wall. Vogue TV unit is available in different finishes as per sample book



VOGUE TV unit

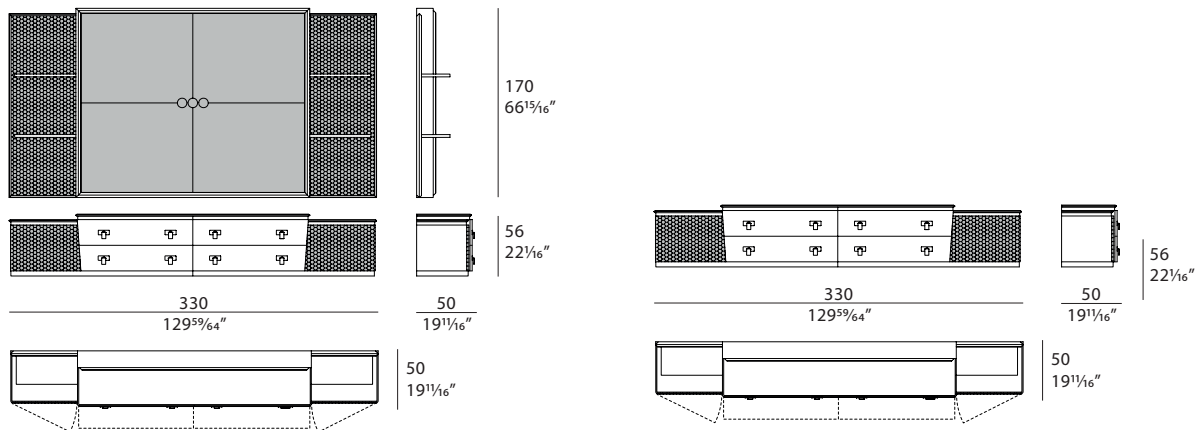
Designer: Andrea Bonini
Year: 2015

PANEL - Structure: MDF glossy hand-decorated polyester finish. Covered in embroidered leather / Details: Gold finish metal.

TV UNIT - Structure: MDF, plywood and wood particle board panels glossy hand-decorated polyester finish. / Top: in marble or in wood / Doors: two with applications in hexagonal embroidered leather on the outside and plain leather on the inside. Printed leathers cannot be embroidered / Drawers: four with hand-decorated glossy polyester lacquer finish front. Internal covering with microfiber / Internal equipment: two shelves with matt polyester lacquer finish / Decorative details and handles: metal Gold finish.

DRAWINGS

measures in cm and inch



Structure: MDF and plywood glossy polyester lacquer finish hand decorated, glossy hand-decorated polyester finish / Top: in marble or in wood / Doors: two with applications in hexagonal embroidered leather on the outside and plain leather on the inside. Printed leathers cannot be embroidered / Drawers: two with glossy hand-decorated polyester finish front and internal covering in microfiber / Internal equipment: two shelves with matt polyester lacquer finish / Decorative details and handles: metal Gold finish.

DRAWINGS

measures in cm and inch

