

VOGUE Presidential desk

Designer: Andrea Bonini

Year: 2016



DESCRIPTION

Vogue collection presidential desk with open front, also available with close front. 6 drawers. Wooden structure, hand-decorated, gloss polyester finish mink colour matterly effect. Leather application. Pattern with hexagonal embroidery, also available with diamond embroidery. Gold metal details. Leather mat on request. Also available: presidential desk with left-side or right-side typing shelf with opening on front part. More wooden finishes and leathers are available in our samples books.



VOGUE Presidential desk

Designer: Andrea Bonini
Year: 2016

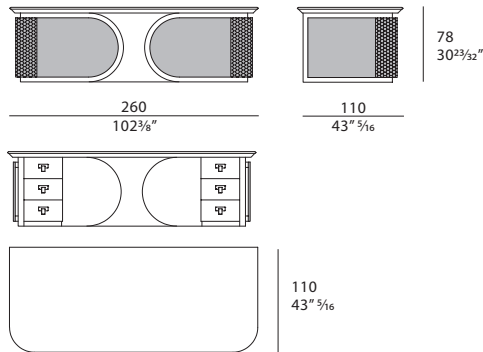
TECHNICAL

Structure: MDF, plywood and wood particle panels, glossy hand-decorated polyester finish. Embroidered leather applications, printed leathers cannot be used for embroidered parts / Options: available with opening or closed front part / Drawers: Z555L - Z559L six drawers Z558L - Z560L three drawers. Wood, glossy hand-decorated polyester finish. Internal covering in microfiber / Decorative details and handles: metal Gold finish.

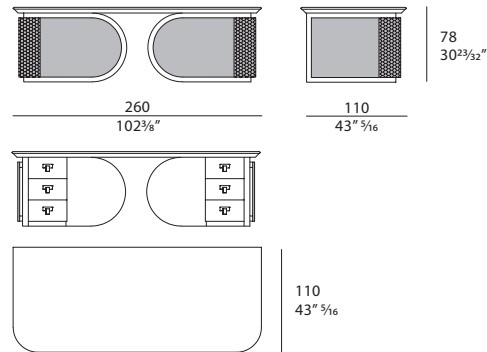
DRAWINGS

measures in cm and inch

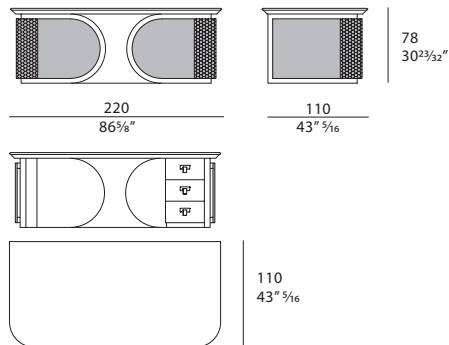
Z555L



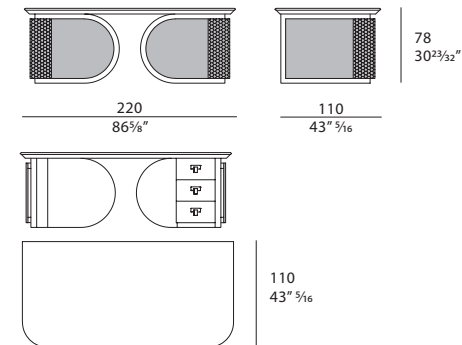
Z559L



Z560L



Z559L



VOGUE Presidential desk

Designer: Andrea Bonini

Year: 2016

TECHNICAL

Structure: MDF, plywood and wood particle panels, glossy hand-decorated polyester finish. Embroidered leather applications, printed leathers cannot be used for embroidered parts / Options: available with right or left side typing shelf / Drawers: six in wood, glossy hand-decorated polyester finish. Internal covering in microfiber / Decorative details and handles: metal Gold finish.

DRAWINGS

measures in cm and inch

