

KALLISTA®

Hampstead Undercounter Basin

FEATURES

- Vitreous china
- Undercounter mounting
- Includes mounting hardware
- Available with overflow only
- Glazed underside

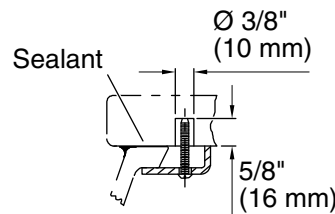
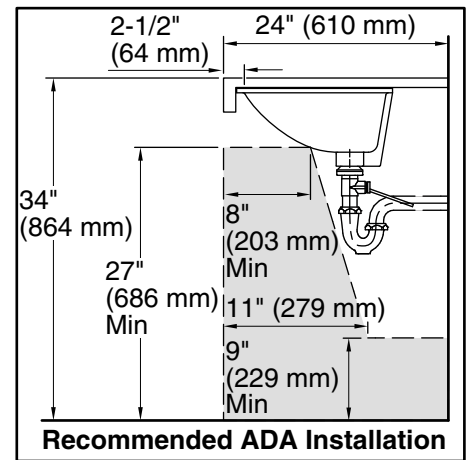
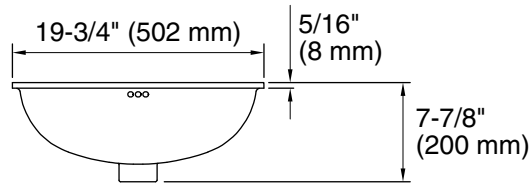
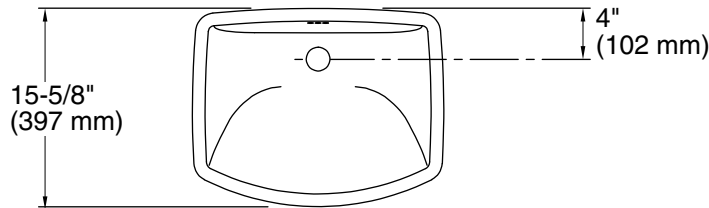
CODES/STANDARDS APPLICABLE

Specified model meets or exceeds the following:

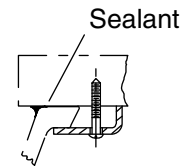
- ASME A112.19.2/CSA B45.1
- ADA
- ICC/ANSI A117.1

P72023

ADA



Marble Installation



Wood Installation

PRODUCT INFORMATION		
Fixture*:	Basin Area	Water Depth
Lavatory	17-5/8" (448 mm) x 13-1/4" (337 mm)	6" (152 mm)
Outlet	Ø 1-3/4" (44 mm)	
*Approximate Measurements For Comparison Only		
Included Components:		
Basin Clamp Assembly		
Cutout Template	1061445-7	

INSTALLATION NOTES
All dimensions are nominal.
Will comply with ADA when installed per section 606 Lavatories and Sinks of the 2010 ADA Standards for Accessible Design.
Supplied basin clamp assemblies require 1" (25 mm) minimum countertop thickness. Installer must supply anchors for thinner countertops.

SPECIFIED MODEL			
Model	Description	Finishes	
P72023-00	Hampstead Undercounter Basin	<input type="checkbox"/> 0 Stucco White	<input type="checkbox"/> 96 Linen

We reserve the right to make revisions without notice in the design of products or in packaging unless this right has specifically been waived at the time the order is accepted.