

## M 7240 TC

Built-in microwave oven  
in a design that is the perfect complement with controls on the top.



- Clear-text display with sensor controls – DirectSensor S
- Perfect defrosting and cooking – Automatic programmes
- Plenty of room – 46 l oven compartment volume and 40 cm turntable
- Very powerful microwave – 900 W
- Popcorn at the touch of a button – Popcorn button

EAN: 4002516103356 / material number: 11093950

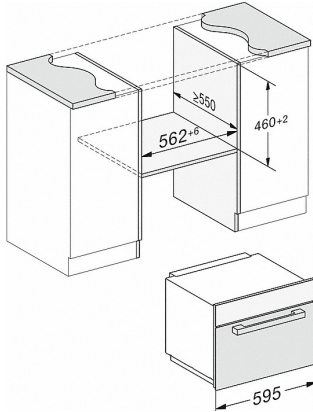
<b>Model and design</b>	
Built-in microwave oven	•
PureLine	•
TopControl	•
Appliance colour	Stainless steel/Clean Steel
<b>Convenience features</b>	
Keeping warm	•
<b>Operating modes</b>	
Microwave solo operation	•
<b>User convenience</b>	
Display	DirectSensor S
SoftClose	•
MultiLingua	•
Popcorn function	•
Time of day display	•
Minute minder	•
Programmable end of cooking duration	•
Programmable cooking duration	•
Quick microwave	•
Individual settings	•
<b>Cleaning convenience</b>	
Stainless steel front with CleanSteel finish	•
Stainless steel oven compartment	•
CleanGlass door	•
<b>Safety</b>	
System lock	•
Safety switch-off	•
Safety lock "Door" warning	•
<b>Technical data</b>	
Oven compartment volume in l	46
Door hinge	Bottom
Oven light	1 LED spot
Oven interior height in cm	23.2
Turntable diameter in cm	40.6
Microwave power levels in W	80/150/300/450/600/750/900
Appliance width in mm	595
Appliance height in mm	456
Appliance depth in mm	560
Weight in kg	28.3
Niche-independent venting	•
Total rated load in kW	1.6
Voltage in V	220-240
Frequency in Hz	50
Number of phases	1
Fuse rating in A	13
Length of supply lead in m	2.1

more information:  
<http://www.miele.co.uk/domestic>

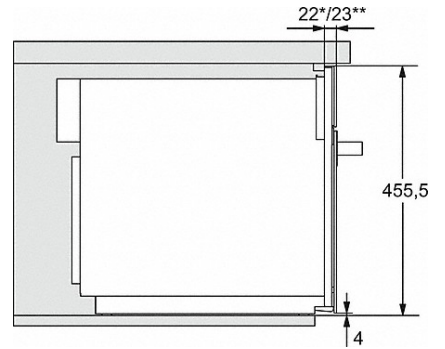
For further information please see next page...

## M 7240 TC

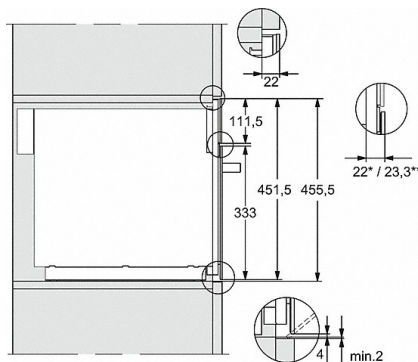
Built-in microwave oven  
in a design that is the perfect complement with controls on the top.



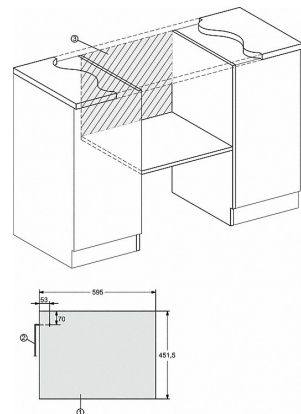
M7140TC, M724x, installation drawings



M7140TC, M724xTC, installation drawing

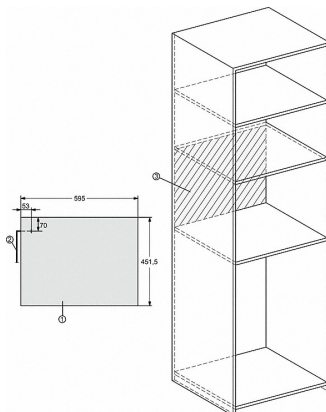


M7140TC, M724xTC, installation drawing



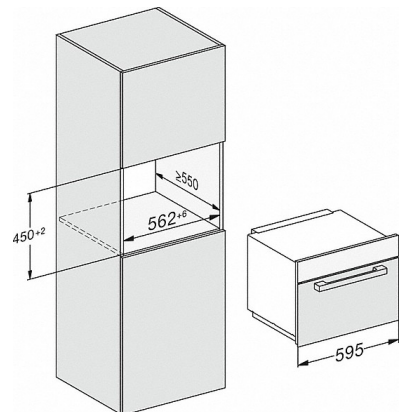
M7140TC, M724x, installation drawings

- 1) Front view
- 2) Mains connection cable L=1,600 mm
- 3) No connection in this area



M7140TC, M724x, installation drawings

- 1) Front view
- 2) Mains connection cable L=1,600 mm
- 3) No connection in this area



M7140TC, M724x, installation drawings