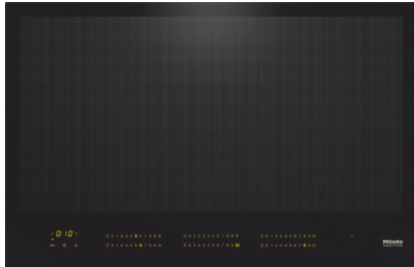


KM 7678 FL

Induction hob with onset controls  
with a width of 800mm and full-surface induction for maximum flexibility



- Intuitive quick selection via number sequences – Smart Select
- Intelligent pan recognition – for up to 6 pans
- Frameless for flush-fit or surface-mounted installation
- Broad performance spectrum - keeping warm function and TwinBooster
- Communication with the hood - automatic function Con@ctivity

EAN: 4002516128915 / material number: 11144100

<b>Heating type</b>	
Heating type	Induction
<b>Construction type</b>	
Independent of cooker	•
<b>Design</b>	
Elegant glass ceramic surface	•
Ceramic surface colour	Black
Flush-fit installation	•
Surface-mounted installation	•
Can be combined with SmartLine	•
<b>Cooking zone details</b>	
Number of cooking areas	1
Maximum number of pans	6
<b>Cooking zone</b>	
Size in mm	740x380
Max. rating in W	2600
Max. Booster power rating in W	3300
Max. TwinBooster power rating in W	3650
<b>User convenience</b>	
Networking with Miele@home	•
Automatic function Con@ctivity 3.0	•
Operation via sensor controls	Smart Select
Display colour	Yellow
Pan and pan size recognition	•
Intelligent pan recognition	•
Positioning aid	•
Stop & Go function	•
Recall function	•
Minute minder	•
Safety switch-off	•
Auto heat-up	•
Keeping warm	•
Individual setting options (e.g. buzzers)	•
Wipe protection	•
<b>Efficiency and sustainability</b>	
Power rating in off mode in W	0.5
Power rating in standby mode in W	1.0
Power rating in networked standby in W	2.0
Time until automatic switch to off mode in min	20
Time until automatic switch to standby in min	20
Time until automatic switch to networked standby in min	20
<b>Cleaning convenience</b>	
Easy to clean ceramic glass	•
<b>Safety</b>	
Safety switch-off	•
Lock function	•
System lock	•
Integrated cooling fan	•
Overheating protection	•
Residual heat indicator	•

more information:  
<http://www.miele.co.uk/domestic>

For further information please see next page...

KM 7678 FL

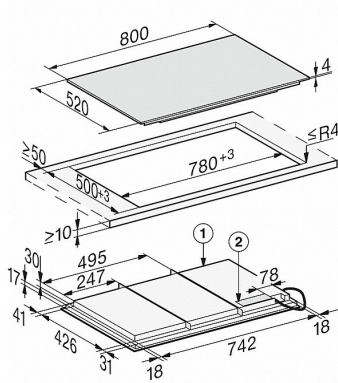
Induction hob with onset controls  
with a width of 800mm and full-surface induction for maximum flexibility



<b>Technical data</b>	
Dimensions in mm (width)	800
Dimensions in mm (height)	51
Casing height incl. connection box in mm	51
Dimensions in mm (depth)	520
Cutout dimensions in mm (width) with surface-mounted installation	780
Cutout dimensions in mm (depth) with surface-mounted installation	500
Internal cutout dimensions in mm (width) with flush installation	780
Internal cutout dimensions in mm (depth) with flush installation	500
External cutout dimensions in mm (width) with flush installation	804
External cutout dimensions in mm (depth) with flush installation	524
Weight in kg	19
Total rated load in kW	11.0
Voltage in V	230
Connection cable length in m	1.4
<b>Standard accessories</b>	
Mains cable	•

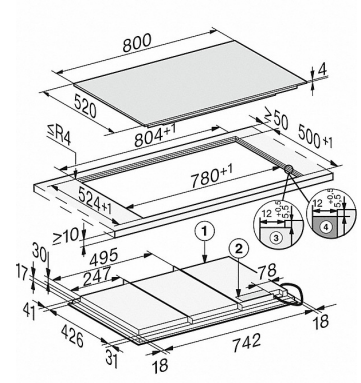
## KM 7678 FL

Induction hob with onset controls  
with a width of 800mm and full-surface induction for maximum flexibility



KM 7678 FL, KM 7878 FL - onset installation (installation drawings)

- 1) Front
- 2) Mains connection box with mains connection cable, L = 1440 mm, are enclosed loosely,



KM 7678 FL, KM 7878 FL - flush (installation drawings)

- 1) Front
- 2) Mains connection box with mains connection cable, L = 1440 mm, are enclosed loosely
- 3) Stepped cut-out natural stone worktop
- 4) Wood support 12 mm (not supplied)