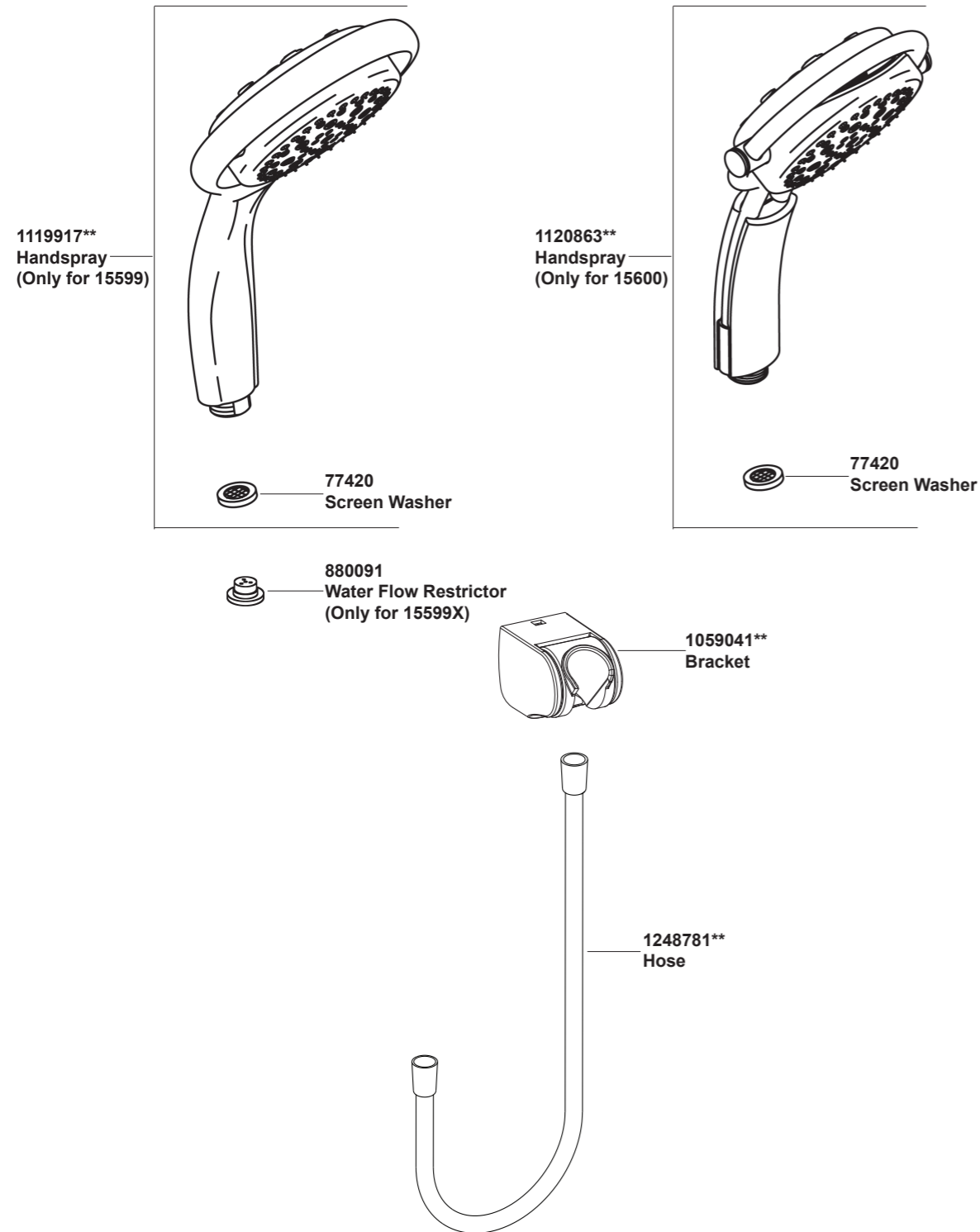


15599 15600 MULTI-FUNCTION HANDSPRAY W/ BRACKET & HOSE



**Color code must be specified when ordering

15599 15600 MULTI-FUNCTION HANDSPRAY W/ BRACKET & HOSE

BEFORE YOU BEGIN

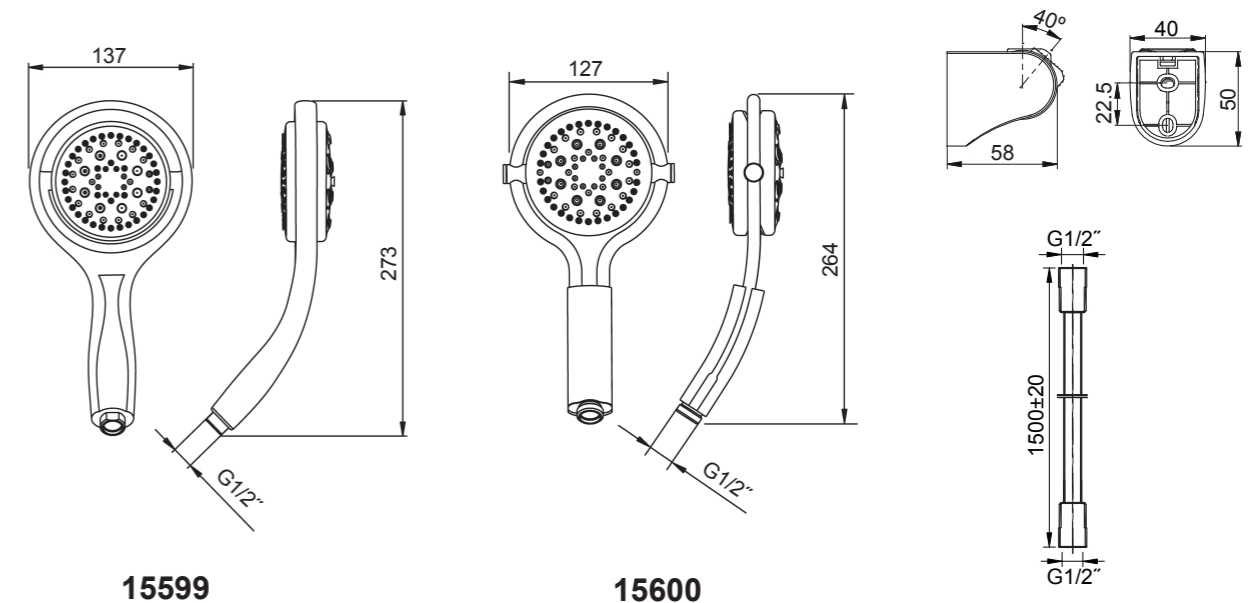
All information is based on the latest product information available at the time of publication. Kohler Co. reserves the right to make changes in product characteristics, packaging, or availability at any time without notice.

Please leave these instructions for the consumer. They contain important information.

NOTES:

1. Flush the water supply pipes thoroughly to remove debris.
2. The highest working pressure for handspray is 0.5MPa(5 bar). If it exceeds 0.5MPa(5 bar), a pressure reducer is needed. The highest water and environment temperature is 60°C. Please keep handspray, shower head and the shower arm away from heater, or it may become damaged and cause injury to the user.
3. Don't remove the regulator, or will damage the handspray.

ROUGH-IN DIMENSIONS

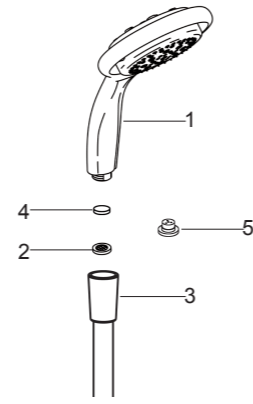


INSTALLATION

How to Install the Handspray

Only for 15599X, put the water flow restrictor(5) into the handspray(1) inlet; Don't remove the regulator of the handspray.

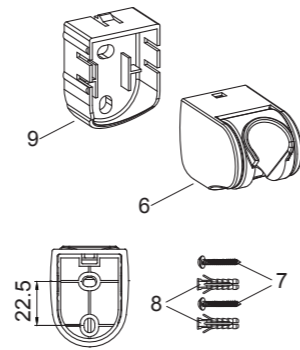
Remove the washer from one connector of the hose(3). Put the screen washer(2) into the shower hose connector, screw the handspray to the shower hose. Connect another end of shower hose to the water supply.



How to Install Shower Bracket

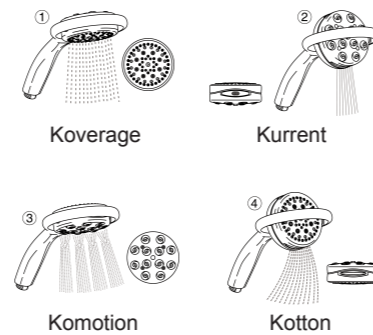
Select a location on the vertical wall within reach of the shower hose.

Mark bracket base mounting hole locations on the wall according to the dimension. Drill two holes in the finished wall, the holes should match the anchors(8). Install the anchors. Tighten screws(7) to secure bracket base(9) to the finished wall. Put the bracket(6) onto the bracket base and lock by stopper. Hang the handspray on the shower bracket.



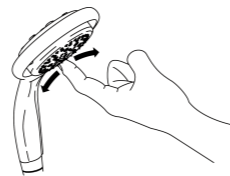
OPERATING INSTRUCTIONS

Rotate the head of the handspray to change the spray patterns as shown.



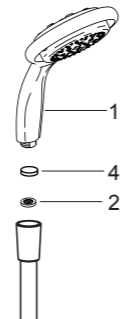
How to Clean the Nozzles

Any debris or mineral build-up may cause the flow stream to become distorted or reduce the flowrate. To remove the debris or mineral build-up, run water through the handspray, firmly press or rub your finger back and forth across the rubber nozzles.



How to Clean the Screen Washer

Remove the handspray(1). Take out the screen washer(2) and the filter(4) from the handspray. Clean the filters of the screen washer by soaking them in warm vinegar. Clean the screen washer and filter. Reinstall the filter and screen washer into the handspray. Reinstall the handspray.



How To Clean The Kotton Spray

Use a suitable tool to remove the four grommets.

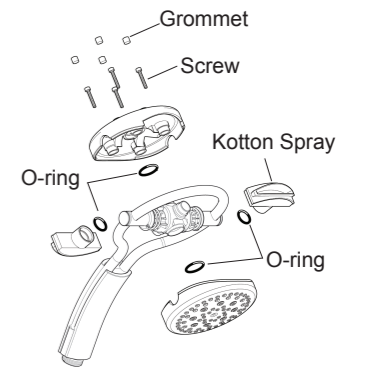
Using the 2.5mm hexagon wrench(not supplied), remove the four screws.

Separate the sprayplate assembly into its individual components.

Clean the kotton spray by soaking them in warm vinegar for 30 minutes.

NOTE: Make sure that the o-rings are located correctly.

Reassemble the components in reverse order.



CLEANING INSTRUCTIONS

All Finishes: Clean the finish with mild soap and warm water. Wipe entire surface completely dry with clean soft cloth. Many cleaners may contain chemicals, such as ammonia, chlorine, toilet cleaner etc. which could adversely affect the finish and are not recommended for cleaning.

Do not use abrasive cleaners or solvents on Kohler faucets and fittings.