

BEFORE YOU BEGIN

- Please read these instructions carefully to familiarize yourself with the required tools, materials, and installation sequences. Follow the sections that pertain to your particular installation. This will help you avoid costly mistakes. In addition to proper installation, read all operation and safety instructions.
- All information in these instructions is based upon the latest product information available at the time of publication. Kohler China reserves the right to make changes in product characteristics, packaging, or availability at any time without notice.
- These instructions contain important care, cleaning, and warranty information - **please leave instructions for the consumer.**

安装之前

- 请详读本说明书，以便熟悉所需工具、材料及安装程序。请遵照相关章节进行安装，以避免由于安装不当而导致不必要的贵重损失。除了有关正确的安装方法之外，还务必请阅读所有操作及安全说明。
- 本说明书所含一切材料，均以印刷时所有的最新产品为准。科勒中国公司保留随时更改产品特性、包装或供应情况的权利，恕不另行通知。
- 本说明书也包含了有关护理、清洁及保养等重要资料—请交消费者留存。

RECOMMENDED TOOLS AND MATERIALS 所需工具及材料

- Open end/adjustable wrenches
- Tape measure
- Basin wrench
- Pipe wrench
- Square
- Level
- Pliers
- Socket wrench with sockets
- Philips driver
- Seal tape
- Special wrenches
- Connection wire
- Wire cutter
- Insulation tape
- Bushing

- 开口/活动扳手
- 卷尺
- 梅花扳手
- 管扳手
- 直角尺
- 水平尺
- 老虎钳
- 管钳
- 十字螺丝刀
- 生料带
- 专用扳手
- 连接线
- 剥线器
- 绝缘胶布
- 电工套管

SENSOR SPECIFICATIONS

感应器规格

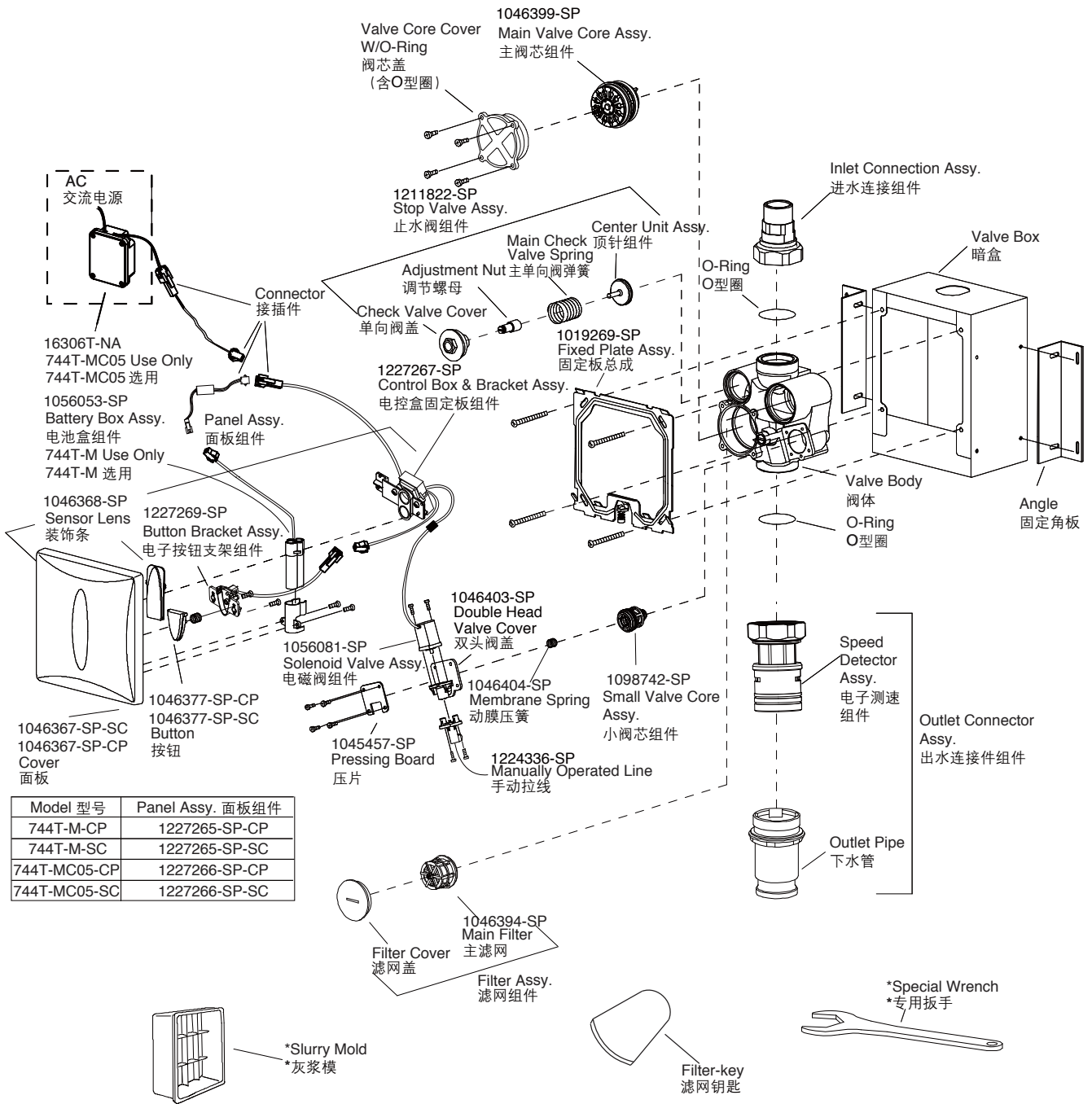
Model	744T-M-CP/SC(DC)
	744T-MC05-CP/SC(AC)
Power	AAA size alkaline batteries×(2)
	220V AC 50/60 Hz
Liter per flushing	Dynamic pressure at 0.10±0.01MPa: Partical flush: 4L; Full flush: 6L (adjustable).
Temperature	Environmental temperature:1°C~55°C Water temperature:1°C~45°C
Starting pressure	0.05~0.86MPa
Sensing distance	Within 85cm from sensing window (along the direction of transmitting angle)
Flushing delay	about 3 seconds after user leave
Connect dimension	Inlet pipe G1", Outlet pipe G1-1/2"
Protective flushing	Auto flush once every 24h if unused
Recommended working pressure	Sensor inlet dynamic pressure: 0.1~0.55MPa, recommended inner diameter of water supply(including water meter, valve, etc.) no less than 25mm.

型 号	744T-M-CP/SC (直流型)
	744T-MC05-CP/SC (交流型)
电 源	2节7号碱性电池 (AAA×2) 220V AC 50/60Hz
冲洗水量	动态压力为 0.10±0.01MPa: 小冲: 4升; 大冲: 6升(可调)
使用温度	环境温度: 1°C~55°C, 水温: 1°C~45°C
启动压力	0.05~0.86MPa
感应范围	距感应窗口85cm以内 (沿发射角度方向)
冲洗延时	人离开约3秒后
连接尺寸	进水管 G1", 出水管 G1-1/2"
设备保护冲洗	无人使用时每24小时自动冲洗一次
推荐工作压力	冲洗器进水口动压为 0.1~0.55MPa 推荐供水管路 (包括水表、阀等) 内径不小于 25mm。

上海科勒电子科技有限公司
中国上海浦东新区金滇路18号E幢 邮编: 201206

- Note:**
1. The sensing distance in the table is measured with a 30×30 cm² white or black board as the reflecting surface.
 2. The user may set the amount of water per flush according to the specifications of the specific toilet and water pressure.
 3. The infrared transmitting angle is 20° downward.
 4. To ensure an effective flushing preformame, please turn the adjusting bolt properly according to actual using conditions when the product is used with toilet (such as K-8750,etc.)
 5. Do not discard the special wrench when the installation is complete.It will be helpful for qualified maintenance personnel to repair the outlet connection assembly and the vacuum breaker.
 6. The slurry mold is used only when install the valve box.

- 注意:**
- 1.表中感应范围距离的测定是以30cm X 30cm白纸为反射平面。
 - 2.用户可以根据便器的冲洗规格以及水压设定冲水量。
 - 3.红外发射角度方向为水平向下倾斜约20°。
 - 4.为保证冲洗效果，当配便器（如K-8750等）时，需根据实际使用情况，适度调节水量调节栓。
 - 5.专用扳手在安装完毕后请勿丢弃，以供专业维修人员在维护出水连接中的出水连接组件和真空破坏器时使用。
 - 6.灰浆模仅在安装暗盒时使用。



Model 型号	Panel Assy. 面板组件
744T-M-CP	1227265-SP-CP
744T-M-SC	1227265-SP-SC
744T-MC05-CP	1227266-SP-CP
744T-MC05-SC	1227266-SP-SC

K-4350
K-4368

K-4349
K-4367

UNIT: mm
单位: 毫米

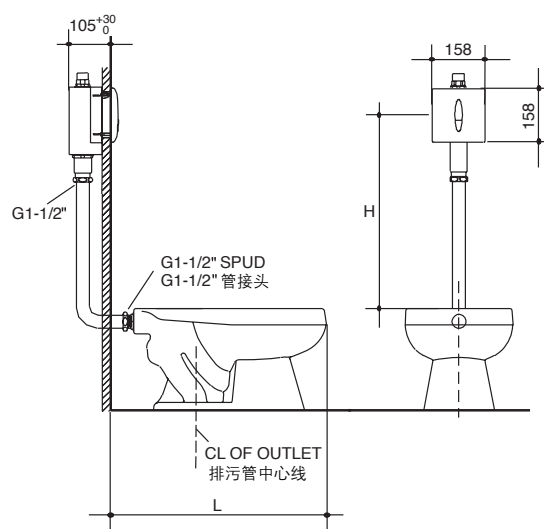
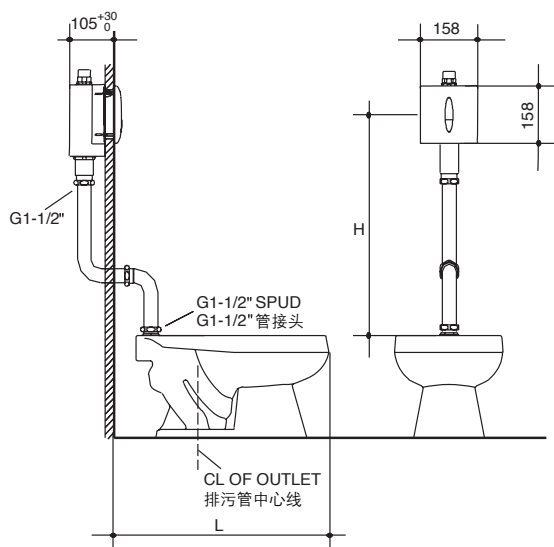


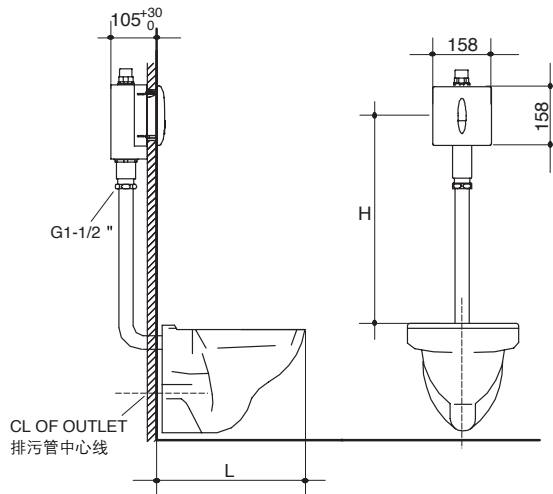
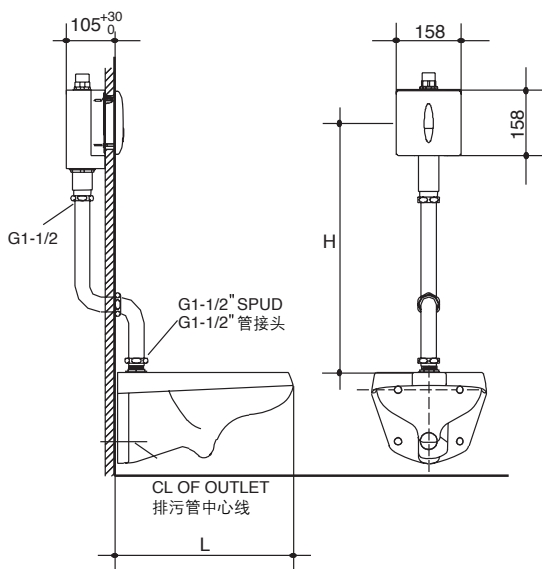
Table of installation positions for toilets (Used with K-4350, K-4368, K-4349, K-4367)

座便器安装位置 (配 K-4350, K-4368, K-4349, K-4367)

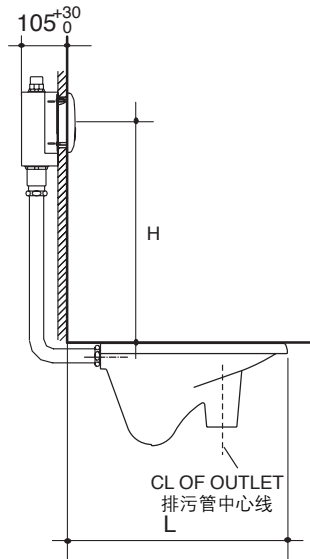
L	700 < L ≤ 730	730 < L ≤ 760	760 < L ≤ 790	790 < L ≤ 820	820 < L ≤ 850
H	640 < H ≤ 670	670 < H ≤ 700	700 < H ≤ 730	730 < H ≤ 760	760 < H ≤ 790

K-4330

K-8750



L	540 < L ≤ 570	570 < L ≤ 600	600 < L ≤ 630	630 < L ≤ 660	660 < L ≤ 700
H	570 < H ≤ 600	600 < H ≤ 630	630 < H ≤ 670	670 < H ≤ 700	700 < H ≤ 740



蹲便器安装位置

Table of installation positions for squats

L	$700 < L \leq 730$	$730 < L \leq 760$	$760 < L \leq 790$	$790 < L \leq 820$	$820 < L \leq 850$
H	$640 < H \leq 670$	$670 < H \leq 700$	$700 < H \leq 730$	$730 < H \leq 760$	$760 < H \leq 790$



- Notice:**
- To ensure sensing effect, the dimensions for L&H should be strictly observed.
 - Do not use if dimension for L and H is not in table.
 - When toilet length between 540mm and 850mm, please use 2430T-NA as top inlet, please use 2429T-NA as rear inlet; When squat, please use 2429T-SA-NA as rear inlet.
 - To comply with above tables, you may cut either end of the connecting pipe.



- 注意:**
- 为保证感应效果，L、H安装对应尺寸需严格遵守。
 - 若L、H值超过表格范围，不推荐使用。
 - 当座便器安装长度 $540 < L \leq 850$ 时，上进水配管请选配2430T-NA，后进水配管请选配2429T-NA；蹲便器后进水配管请选配2429T-SA-NA。
 - 为保证以上表中的尺寸要求，配管两端均可按需求锯短。

INSTALLATION

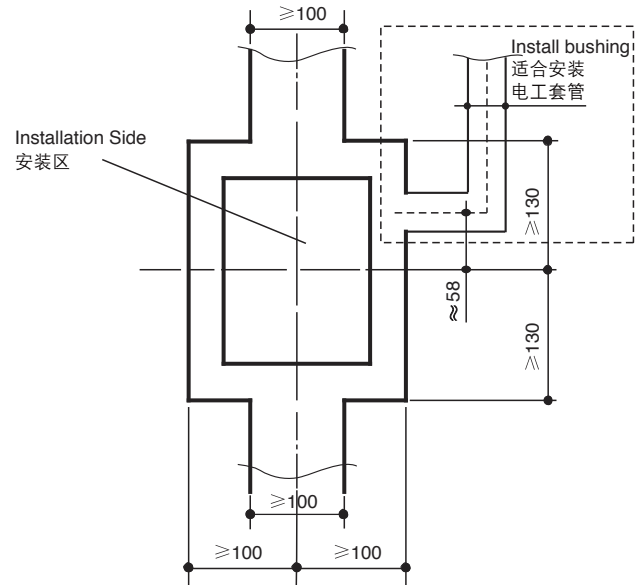
安装步骤

1. Determine the installation location per rough-in dimensions and the table of installation position. Chisel out a slot and install the supply tubes. Then flush the supply tubes. The depth of the slot is not less than 105 mm, see the figure to the right for rough-in dimension requirement. See the figure right for rough-in dimension requirement. While installing 744T-MC05(AC), chisel out the slot indicated in the dot line area of figure right for installation of bushing.

- Notice:**
- a. Installation that fails to accord with the installation position or rough-in dimensions may result in false operations or no operations.
 - b. No light shall enter or be reflected into the sensing window.
 - c. No reflectible objects in front of the sensing window (e.g., mirror, polishing stainless steel and some other polished plates).
 - d. No strong ultraviolet radiation or electromagnetic field nearby.

1. 根据安装尺寸图及安装位置表确定安装位置，凿出槽坑，埋设供水管，并冲洗供水管道。槽深不小于105mm。尺寸参考右图。安装744T-MC05（交流型）时，添加右图虚线内槽坑用于安装电工套管。

- 注意:**
- a. 未按安装位置表规定尺寸安装可能引起误动作或不感情况发生。
 - b. 不能有光源直射或反射进入感应窗口。
 - c. 不能在感应器正对面有易反射的物品（如镜子、光亮不锈钢板及其它镜面物体等。）
 - d. 不能靠近强烈紫外线或电磁场。

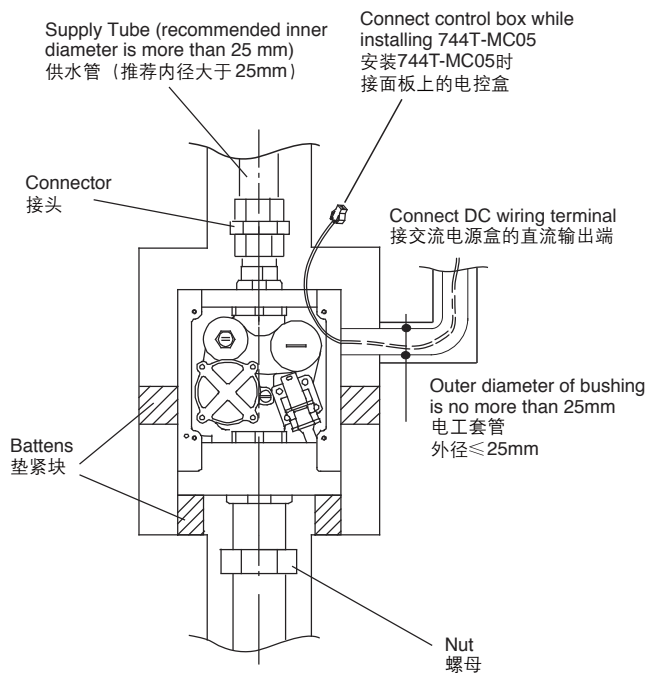


2. Remove the dust-proof cover from the inlet connection of the flushing valve. Then place the flushing valve into the slot, adjust its level and square with battens and connect the inlet tubes. Screw down the nut at the outlet position. Refer to the specific rough-in of different toilets/squats for the connection of outlet fittings.

- NOTE:** please clean the inside of water supply pipe before connecting to the product.

2. 将冲洗阀进水连接的防尘罩取下。然后将冲洗阀放入槽坑内，用垫紧块将其固定平整、端正，接好进水管。拧紧出水处的螺母。出水配管的连接根据座/蹲便器的不同按安装尺寸图所示方式安装。

- 注意:** 将本产品连接供水管前，建议先冲洗干净供水管。



Please directly reference to Step 3 when installing 744T-M (DC).

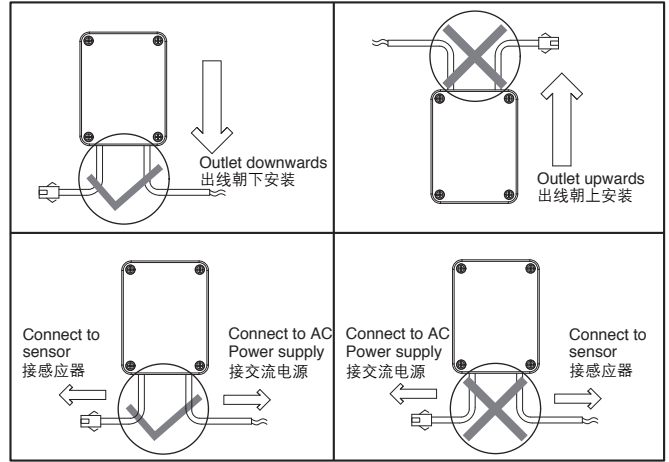
Please match 16306T-NA AC power unit when installing 744T-MC05 (AC).

- CAUTION:**
- Outlet of AC power unit upward prohibited.
 - Do not connect 220V AC power supply to DC wiring terminal.
 - Do not damage the covering of AC power unit or remove screws to avoid leakage.

安装744T-M（直流型）请直接参考步骤3。

安装744T-MC05（交流型）请选配16306T-NA交流电源盒。

- 警告：**
- 禁止将电源盒出线朝上安装。
 - 禁止将交流220V接入直连接线端。
 - 安装时严禁损伤交流电源盒外壳或移开电源盒盖螺钉，以防止受潮漏电。



A. Fig. #1: AC power unit connected to electric control box by connection wire.

A. 图1：安装交流电源盒通过连接线与电控盒相连。

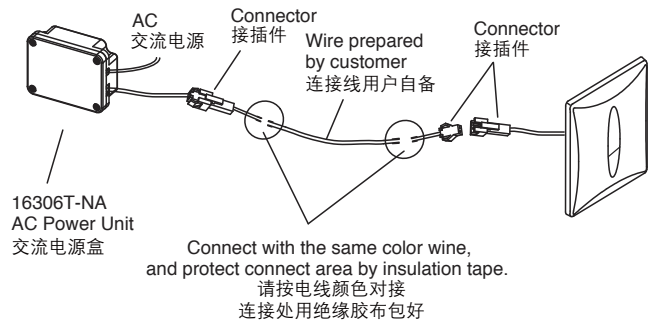


Fig. #1
图1

B. When installing the power unit on the ceiling, please layout bushing according to Fig.#2 and thread wire through the bushing.

Fig. #2: Connection sketch while installing power unit on the ceiling.

- CAUTION:** One AC power unit can supply two sensors at most.

B. 将电源盒放在天花板上时，如图示安装电工套管，管内装入电线。

图2：交流电源盒安装在天花板上的连接示意图。

- 警告：**一个交流电源盒最多可连接两个感应器。

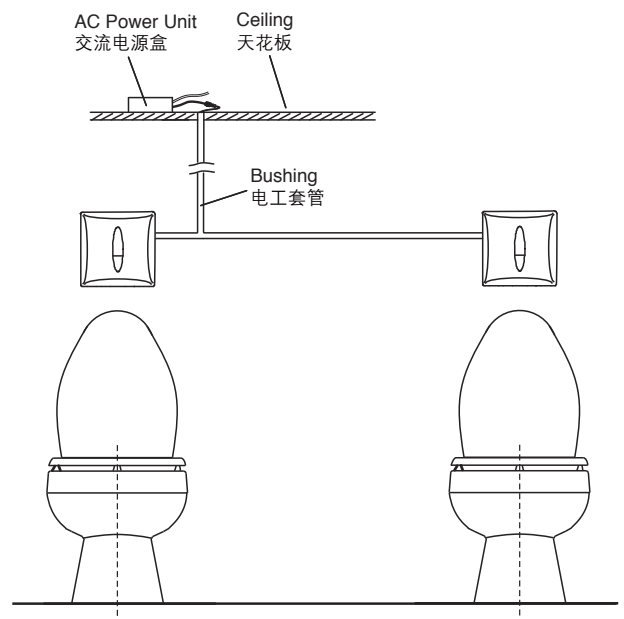


Fig. #2
图2



- Notice:**
- a. Because the installation position of the sensor will affect directly to the future operation of the sensor, you are recommended to confirm the correction position of the sensor after its placement and fix it.
 - b. Don't mistake the direction of inlet and outlet.
 - c. Don't drop the O-rings.
 - d. Keep the wire plug-in away from water.
 - e. Align the center of the flushing valve with the center of the toilets/squats, and ensure it parallel with the wall, or will result in the false operation of the sensor.
 - f. Do not use any sealant or grease on the valve or connector and outlet pipe.
 - g. While more than 3 sets of sensor were installed in one lavatory, the inner diameter of main inlet pipe should not be less than 38mm.
 - h. Do not connect the DC output of AC Power unit to AC power supply.
 - i. Do not connect to power supply while installing. Connection line is not supplied. AC connection wire with insulating sleeving is recommended. Wire of which the nominal section area of conductor is not less than 0.5mm^2 is also recommended. DC connection line use wire of which the nominal section area is not less than 0.3mm^2 . It is cut according to acted installation requirements(The length of cut wire is recommended less than 10m).
 - j. The head AC power supply must be protected with appropriate fuse.
 - k. Please confirm the AC power supply and water supply should be shut off before maintaining the products with AC power related.

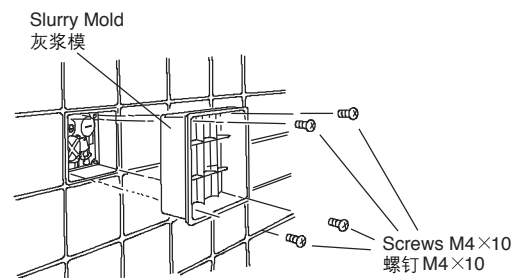
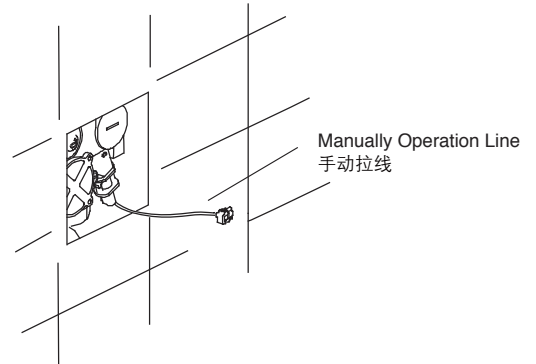
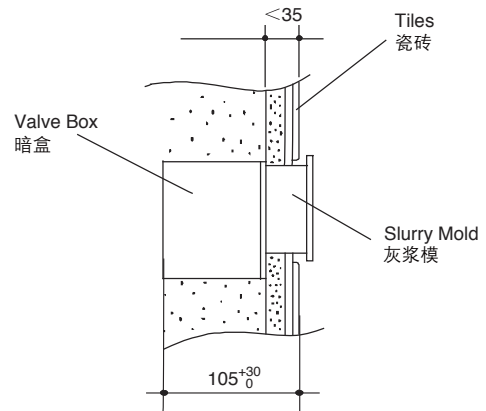
- 注意:**
- a. 因为感应器的安装位置将对感应器的工作产生直接影响, 要求放置后经测量确认感应器位置准确无误后再固定。
 - b. 不要将进出水方向弄错。
 - c. 不要将密封圈丢失。
 - d. 不要让接插件受潮。
 - e. 冲洗阀中心要求与座/蹲便器中心对齐并保证与墙面平行, 否则将可能引起误动作。
 - f. 不要在阀体部件或接头和出水配管上使用任何密封胶或油脂。
 - g. 当一个卫生间同时安装3台以上感应器时推荐主供水管内径大于38mm。
 - h. 不可将交流电源盒的直流输出端与交流电连接。
 - i. 安装时不要向电源盒供电。连接线请用户自备, 建议交流电源线采用导体标称截面积 $\geq 0.5\text{mm}^2$ 的电线, 直流连接线采用导体标称截面积 $\geq 0.3\text{mm}^2$ 的电线, 电线长度根据实际安装需要自行裁剪(建议连接线长度小于10m)。
 - j. 交流电的总电源必须有合适的熔断丝加以保护。
 - k. 维修时必须断开交流电源并关闭水源。

3. Gently remove the manually operation line inside the plastic bag of valve box and drive the flushing unit with manually operation line. Once it is confirmed that there is no leakage after the connection of supply tube, put the manually operation to its original place. Mount the slurry mold onto the valve box and apply slurry into the crevice around the valve box and smooth the surface.

- Notice:**
- Please confirm the completion of the outlet connection or no leakage during the application of water supply.
 - Please avoid breaking the manual lever line during this procedure.
 - Avoid the plug-ins from wetting, or this will result in false operations of the sensor.

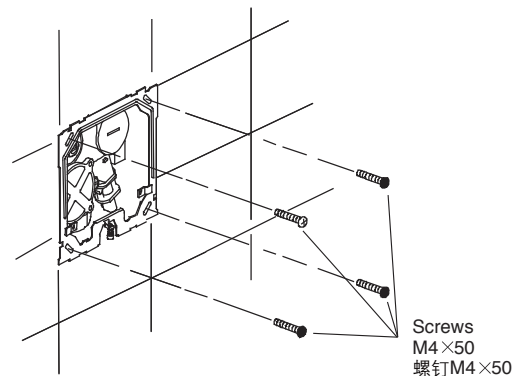
3. 轻轻卸下暗盒内塑料袋中的手动拉线组件,用手动拉线组件驱动冲洗器,试通水,确认各管道连接处无渗漏后,将手动拉线组件放回原位。将灰浆模装于阀盒上,阀盒周围空隙用灰浆抹平。

- 注意:**
- 试水过程中确认出水口连接完成或封堵无误。
 - 此过程中防止扯坏手动拉线。
 - 防止接插件受潮,否则将引起误动作。

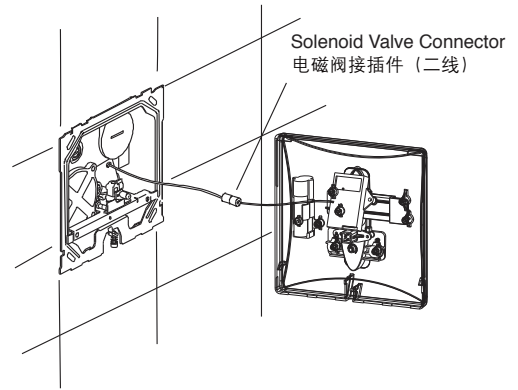


4. When the slurry turns solid, remove the short screws, pull out slurry mold, mount the bracket assembly, and secure with long screws.

4. 灰浆固化后,取下短螺钉,揭去灰浆模,并用长螺钉固定安装架。

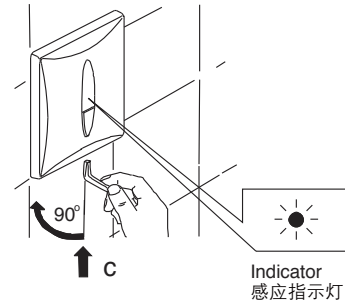
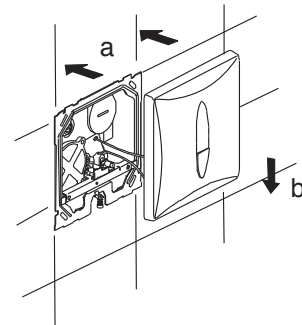


5. Don't connect to power supply while installing the cover. Connect the solenoid valve connector on the control box with the corresponding cords of the solenoid valve. Install the sensor cover with control box as shown by the figure:
- Buckle the sensor cover into the wall slightly above the bracket assy.
 - Press the sensor cover down along the wall and fit tightly into the bracket assy.
 - Push upward with basin wrench and rotate clockwise to lock the sensor cover (rotate counterclockwise to remove the sensor cover).



- Notice:**
- Ensure the tightness of the connector to avoid them from wetting.
 - Wear clean gloves when installing the sensor cover to avoid surface injury by cement or sand.
 - Prevent damage or drop of the cover or break the cord during this procedure.
 - Please observe the indicator from the bottom of the sensor cover upwards.


5. 安装面板时，不要连接电池或交流电源。将电磁阀接插件与电控盒上电磁阀接插件，如图安装带有控制盒的面板。
- 将面板在安装架稍偏上方的位置扣向墙面；
 - 紧贴墙面向下扣紧面板，使面板和安装架卡牢；
 - 用六角扳手上顶后顺时针旋转，锁定面板。（逆时针旋转即可取下面板）



- 注意:**
- 注意要使接插件插紧，防止接插件受潮。
 - 安装面板时应戴上干净的手套，以防水泥或沙粒损伤表面。
 - 此过程中防止外壳损伤或跌落或扯断电线。
 - 请从面板正下方斜向上观察指示灯。

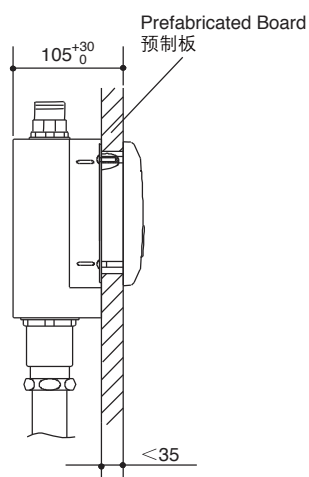
6. After installing the sensor cover, observe the cover if it is upright and its centerline is aligned with that of the toilet and squat. If any deviation occurs, remove the cover and loosen the locking screws of the fixed bracket. Adjust the fixed bracket for correctness. Fasten the screws and reinstall the sensor cover after any adjustment.

6. 安装面板后，观察面板是否端正及其中心线是否与座/蹲便器在一条中心线上，如有偏差，取下面板，松开固定架的锁定螺钉，调节固定架使其端正。调完后锁紧螺钉并重新装好面板。

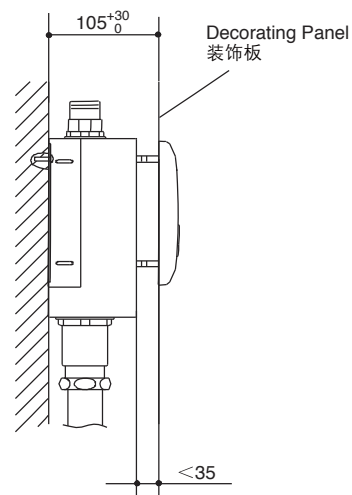
 **Notice:** The central position and correctness of the sensor will affect the proper operation of the sensor.

 **注意:** 感应器的中心位置及端正与否将影响感应器工作。

INSTALLATION IN OTHER METHODS 其它形式安装



a. Installation On Prefabricated Board
预制板安装法




b. Installation On Decorating Panel
外加装饰板安装法


 **Notice:** For these two installation forms, the sensor must be installed according to rough-in.

 **注意:** 以上两种安装形式，感应器的安装位置必须严格按尺寸图进行。

Automatic Adjustment of Sensing Distance

自动调节感应范围

 The accuracy of this section's steps will affect the sensing performance.

 本节操作步骤准确与否将影响感应效果。

The sensing distance of this product is set at within 85cm away from the sensing window along the direction of transmitting angle (with a 30cm x 30cm white board as the reflecting surface) in the factory with an infrared transmitting angle of about 20° downward. When the power is applied, the product is in the status of automatically adjusting its sensing distance during the first one minute, when the sensor is in an environment of normal operations. Also during this period, all the facilities have been installed in the toilet. Proceed with this process so that you can correctly adjust its sensing distance.

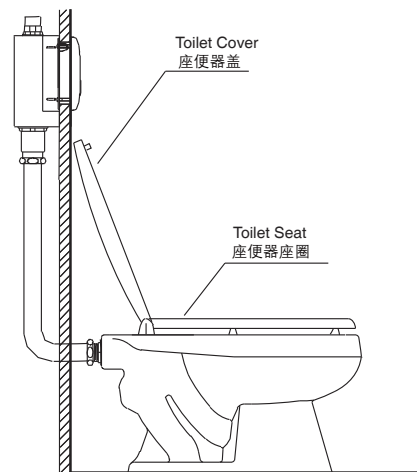
本产品出厂时，感应距离设定为距感应窗口沿发射角度方向85cm以内（以30cm×30cm白纸为反射平面），红外发射角度向下倾斜约20°。接通电源1分钟内为自动调节感应范围状态，此时需要使感应器处于一个正常工作的环境内，也即卫生间所有设施已安装完毕，方可操作本步骤，以便感应器准确的调节感应范围。

1.Preparations

- a. Pull down the toilet seat, if there is a cover, please lift it as shown in picture above.
- b. Remove any unwanted materials near the toilet bowl.

1.准备工作

- a. 对于座便器，放下座圈，若有便器盖，请如右图所示打开。
- b. 移开便器周围所有杂物。





2. Procedures (Please finish below steps within 5 mins)

2. 操作步骤（以下操作步骤a—d项请在5分钟内完成）：

- a. Remove the sensor cover. While installing 744T-M(DC), take out the battery box from the back of the cover and put batteries into the box. Connect battery box assy to control box. While installing 744T-MC05(AC), connect AC power unit to control box, and then power on.
- b. Install the sensor cover.
- c. Close the door of the toilet.
- d. Wait 5 mins, the auto adjustment of sensing distance will complete.

- a. 取下面板，安装744T-M直流型时，从面板反面取出电池盒，装入电池，将电池盒接插件与电源盒接插件连接。安装744T-MC05交流型时，将交流电源盒接插件与电控盒接插件连接，然后接通电源。
- b. 安装面板。
- c. 关上卫生间的门。
- d. 静待5分钟后，自动调节感应范围过程结束。

-  **Notice:**
- a. After finishing these steps, the toilet sensor is ready for use.
 - b. The sensor cover installing must be finished within five minutes after power on. If this is not accomplished within 5 minutes, shut off the power. When the indicator stops flashing, power on again and repeat the above steps.
 - c. Don't mistake the polarity of the batteries and don't mix the new and used batteries together.
 - d. Tighten the screws of the battery box to avoid the batteries from wetting.

-  **注意：**
- a. 完成以上操作步骤后，即可正常使用冲洗器。
 - b. 从接通电到完成安装面板关上卫生间的门必须在5分钟内完成，如在5分钟内未完成此项工作，切断电源，待指示灯停止闪烁后再重新接通电源即可重复上述步骤。
 - c. 电池极性不能装反，新旧电池不能混用。
 - d. 电池盒螺钉必须锁紧，以防电池受潮。

3. Setup of flushing volume


This product provides 3 modes of flushing volume, the default mode is mode 1, and the default flushing volume is followed: partial flush 4L, full flush 6L, Users can set the flushing volume as needed according to the water pressure. However, these operation should be completed within 30 seconds.

User can use magnetic stick to switch flushing mode when the water pressure is too low, use magabetic stick to change mode by approaching the sensor box after power on within 2 seconds. The mode will change from 1 to 3 in turn, LED flashes the mode number to indicate current mode. Remove the magnetic stick after getting desired mode. If keep the magnetic stick near the sensor box after power on within 2 seconds, the product will exit mode setting automatically after keeping mode changing for 30s. If no magnetic stick approaching in 2s when power on, the product will keep the mode setting. Setted mode will be saved and even power-off will be kept in memory.

Mode	Flash time	Flushing volume
1	1	4L/6L
2	2	6L/9L
3	3	9L/13L


4. Manual Flushing

This system can have a good sense toward most of the clothes. However, it may have abnormal sense to a very small number of clothes. If this occurs, you may use the mode of manual flushing.

-  **Notice:** a. The button is a standby device that will be used when the sensor cannot perform correctly or the toilet is being repaired. It is not recommended to use when the sensor is normally functional.
 b. When the sensor cannot function properly, please refer to the list of troubleshooting on Page 16.
 c. Do not exert too much force to avoid the manual unit from damaged.

4. 手控冲洗

本系统能对大部分衣物感应良好，但可能对极少数衣物出现感应不良现象。如有感应不良现象时可用手控冲洗。

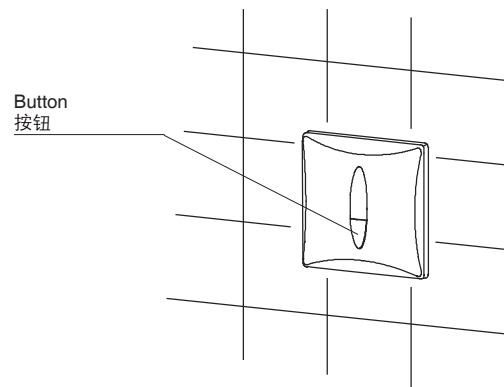
-  **注意:** a. 按钮为备用机构，为感应器不能正常工作或维修便器时使用，在感应器能正常工作时不推荐使用。
 b. 当感应器不能正常工作时请参考故障排除。（见第16页）
 c. 不得用力过大，以免损坏手动机构。

3. 冲水量设定

本产品一共3种冲水量模式，出厂设置为模式1，冲水量为：小冲4L，大冲6L，用户可以根据水压自行设定冲水量，但设定操作需在上电后30S内完成。

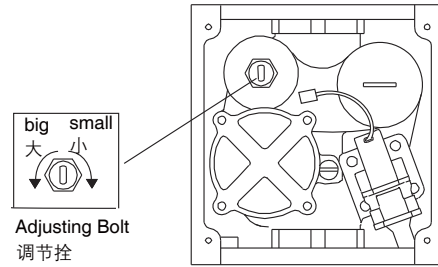
当水压较低时，可以使用磁棒切换冲洗模式，上电后2秒内用磁棒靠近电控盒，模式由1到3轮流切换，灯闪烁对应相应的模式，当灯闪烁次数为需要设定的模式，立即移开磁棒即退出模式切换。如果一直不移开磁棒，30S后将会自动退出设置程序。如果上电后LED亮2秒内不用磁棒靠近电控盒，将自动跳过模式设置，设置好的模式将会自动保存，重新上电后，设置的模式不会丢失。

模式	闪烁次数	冲流量
1	1	4L/6L
2	2	6L/9L
3	3	9L/13L



5. Adjustment of Flushing Volume

When the water pressure is 0.10 ~ 0.55 MPa, If sometimes splashes, you can reduce the water flow. And if the flushing performance is not good, you can enlarge the water flow. When adjusting, remove the sensor cover and turn the adjusting bolt for water flow till good flushing and no splash.




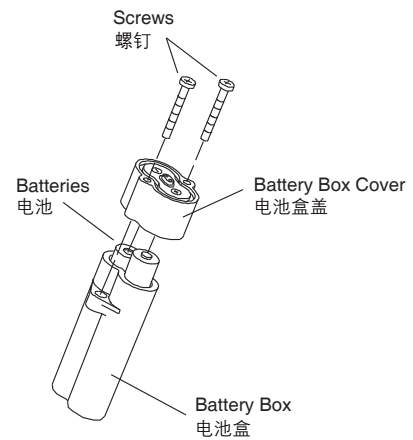
5. 水流调节

流动水压在0.10~0.55MPa时，如有溅出现象可适当调小水流速度，冲洗效果不佳时，则可适当调大水流速度。调节时取下面板，旋动水流调节栓至能冲洗干净而又不溅出即可。

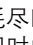
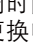
6. Replacement of Batteries(only for 744T-M)


When the power in the batteries will be exhausted and the indicator in the sensing window continues flashing, the indicator flash every 6 seconds and the sensor will work about one week. The indicator flash two times every 6 seconds, the sensor will not work until new batteries are supplied. When changing, remove the battery cover and put in new batteries.

 **Note:** the flash direction of the indicator is downward, so you need to observe along the direction.



6. 电池的更换（仅适用于安装744T-M使用直流电源的情况）

电池耗尽时，指示灯  每6秒闪烁1次，感应器将继续工作大约一周时间，指示灯  每6秒闪烁2次，感应器将停止工作，直至更换电池。更换电池时取下电池盒盖，换上新电池即可。

 **注意：**指示灯发光方向为斜向下，因此需顺着发光方向观察。

7. Protective Flushing

When the toilet has not been used for a long time, the sensor will drive the solenoid valve to flush every 24 hours to avoid the deodorizer and the sewer pipe from drying up.


7. 设备保护冲洗

便器长期处于不使用状态时，感应器将驱动电磁阀每24小时冲洗一次，以防止脱臭器及排水管的干涸。

MAINTENANCE

Toilet & Squat Repair


When repairing, you don't have to dismount the sensor. Cover the sensing window with tape and work with ease.

-  **Notice:** Don't use very adhesive tape in case the scar will be hard to remove and result in false operations of the sensor.

维护保养


修理座便器/蹲便器

修理座便器/蹲便器时，不必拆下感应器，只需用电工胶布粘住感应窗口，您便可放心修理设备。

-  **注意：**不要用强力胶布，因为粘痕会难以清除，而产生误动作。


Clean the Filter Screen

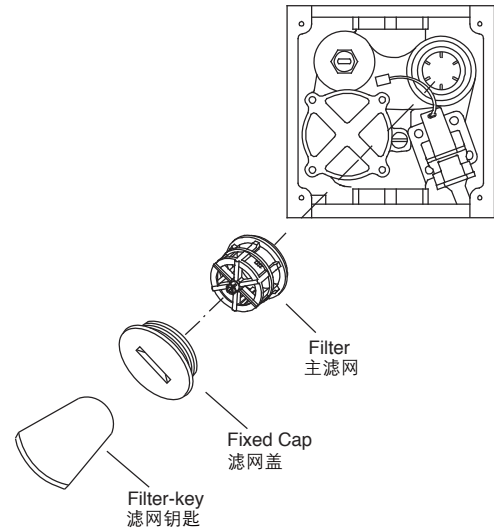
If the flushing volume declines sharply after installation or used for a long time with no cause from water pressure, the filter may need a wash. Turn off the fixed cap with filter-key, take out the filter, clean with a brush and reinstall it.

-  **Notice:** a. Turn off the water supply or tighten the adjusting bolt before cleaning.
b. Carefully take out the filter when cleaning to avoid foreign materials entering the inside of the valve body.

清洗过滤网


初装或使用较长时间后，如发现出水流速明显变小，而非水压原因，可清洗阀体中的过滤网。用滤网钥匙旋下固定盖，取出滤网，刷洗后重新装入即可。

-  **注意：** a. 清洗前，请先关闭水源或拧紧调节栓。
b. 清洗时小心取出滤网，防止杂质进入阀体内部。




Care & Clean

Keep the sensing window clean. Wipe with soft cloth and mild cleaner.

-  **Notice:** a. Do not use dust-removing powder, abrasive powder or cleaner containing oil, acid or alkaline ingredient.
b. Do not spray air-refresher, disinfectant, or other deodorizing, cleaning solvent directly into the sensing window.
c. Keep wire away from water.
d. Don't attack the sensor window.

清洁保养

保持感应窗口清洁，可用蘸有中性清洁剂的软布擦洗。

-  **注意：** a. 禁止使用去污粉、研磨粉及油类、酸性类、碱性类清洁剂。
b. 禁止直接对感应窗口喷洒空气清新剂、消毒液或其他除臭、清洁类有机溶剂。
c. 避免水直接接触电线接插件。
d. 勿撞击感应窗口。

TROUBLESHOOTING

Please make following checks before repair:

Symptoms	Probable causes	Corrective actions
No flushing (Indicator not flashing)	<ol style="list-style-type: none"> 1. No power or mistake connected. 2. There is an object within the sensing distance. 3. The sensing window needs cleaning. 4. The toilet seat is loose. 5. The toilet cover (if applicable) is closed. 6. Around squat is dirty. 	<ol style="list-style-type: none"> 1. Check the power connect. 2. Remove the object or reduce the sensing distance. 3. Clean the window. 4. Fasten the toilet seat, and follow the steps for automatic adjustment of the sensing distance again. 5. Open the toilet cover. 6. Clean the squat.
No flushing or poor flushing while the indicator can flash	<ol style="list-style-type: none"> 1. Adjusting bolt not fully open. 2. Low water pressure. 3. Filter is obstructed. 	<ol style="list-style-type: none"> 1. Open the adjusting bolt. 2. Improve water supply. 3. Clean the filter.
Keep flushing indicator not flashing	<ol style="list-style-type: none"> 1. There are some dirty materials inside the valve body. 2. The manual unit is damaged. 	<ol style="list-style-type: none"> 1. After cleaning the filter, activate the sensor several times. 2. Check the manual unit.
Battery indicating light keeps flashing and no flushing	Out of electricity. (Only for 744T-M)	Replace batteries. (Only for 744T-M)

If the trouble remains after above-mentioned actions are taken, please contact with us via distributor.

简单故障排除

请在委托修理前做以下检查：

现象	可能原因	处理方法
不出水 (感应指示灯不亮)	<ol style="list-style-type: none"> 1. 无电源或接线有误。 2. 感应范围内有其它物体一直被感应。 3. 感应窗口较脏。 4. 座便器座圈松动。 5. 座便器盖合上（若有）。 6. 蹲便器周围太脏。 	<ol style="list-style-type: none"> 1. 检查电源连接。 2. 清理物体。 3. 清洁窗口。 4. 紧固座圈，并重新按自动调距步骤操作。 5. 打开座便盖。 6. 清洁便器周围。
感应指示灯闪烁 而无水流出或出水较差	<ol style="list-style-type: none"> 1. 调节栓未完全打开。 2. 水压太低。 3. 过滤装置脏堵。 	<ol style="list-style-type: none"> 1. 打开调节栓。 2. 改善供水情况。 3. 清洗过滤装置。
不停水 感应灯也不闪烁	<ol style="list-style-type: none"> 1. 阀体部件内有脏物。 2. 手动装置损坏。 	<ol style="list-style-type: none"> 1. 清洗过滤装置后，使感应器连续感应动作数次。 2. 检查手动装置。
电池指示灯连续 闪烁而不出水	电池耗尽（仅适用于安装744T-M的情况）。	更换新电池（仅适用于安装744T-M的情况）。

如按以上操作仍未解除故障，请通过销售商与本公司联系。

IMPORTANT CONSUMER INFORMATION 用户须知

Consumer Responsibilities

1. Do not attack the sensor.
2. Do not directly flush the sensor with water. The sensor is an electronic instrument.
3. Do not let sunlight or other light source enter or be reflected into Sensor Window.
4. Do not hang on the opposite wall any reflective items or install light/electronic sensor such as toilet flushing sensor.
5. Do not make Sensor Window near strong ultraviolet or electromagnetic field.
6. Keep the sensor window clean.
The sensor cover can be cleaned by soft rag with neutral liquid detergent.
Do not use eradicator, abrasive powder or oil, acid or alkali liquid detergent.
Do not spray air freshener, disinfectant or other kinds of odious removing, cleaning organic liquid to the sensor directly.
7. Urinal is designed for use with potable water. Avoid water that includes a lot of contaminants or acid/alkali water and impure water.
8. When AC power unit is connected to 220V AC power supply, corresponding protective measures should be taken.
9. Please confirm no water penetration at the connection area of AC wire, and the connection area is not easy to be affected by damp.
10. Don't connect power unit to AC power supply until the sensor installation is finished.
11. The head AC power supply must be protected with appropriate fuse.
12. Please confirm the AC power supply and water supply should be shut off before maintaining the products with AC power related.
13. All electrical connection must be compliance with related regulation and codes.
14. All installation staff should be well familiar with installation instruction.

用户责任

1. 请勿敲击感应窗口。
2. 感应器为电子器具，请勿直接用水冲洗。
3. 避免阳光或其他光源直接或反射进入感应窗口。
4. 请勿在感应器正面墙壁挂贴易反射的物体或安装光电感应器（如大便自动感应冲洗器）。
5. 请勿靠近强烈紫外线或电磁场。
6. 保持感应窗口清洁。
窗口外壳可用蘸有中性清洁剂的软布擦洗。
禁止使用去污粉、研磨粉及油类、酸性类、碱性类清洁剂。
禁止直接对感应窗口喷洒空气清新剂、消毒液、或其他除臭、清洁类有机溶剂。
7. 使用水源为自来水或可供饮用井水。
避免使用含有杂质较多或带有酸、碱性的处理水或未加工处理的水。
8. 将交流电源盒接入220V电源时，应采取相应的防卫措施。
9. 应确保交流导线连接处无水渗入以及不易受潮。
10. 务必在感应器安装完毕后，才向交流电源盒供电。
11. 交流电的总电源必须有合适的熔断丝加以保护。
12. 维修交流供电型的产品时，必须首先断开交流电源并关闭水源。
13. 所有电路连接必须符合相关规范和条例要求。
14. 所有参与安装人员都必须熟知安装说明。