

## BEFORE YOU BEGIN

- All information is based on the latest product information available at the time of publication. Kohler China Ltd. reserves the right to make changes in product characteristics, packaging, or availability at any time without notice.
- These instructions contain important care, cleaning, and warranty information—**please leave these instructions for the consumer.**
- Make sure that the bath and the finished wall material are completely and correctly installed prior to installing your shower door. Prepare waterproof layer to wall and floor of the showering area. It is not allowed for any presence of electric switches and sockets. Make sure the floor drain runs smoothly.
- Before starting the door installation, lay out and identify all the parts. Use the exploded view illustrated on page 2 for reference.
- For the installation method of customized shower with different dimensions, please refer to this instructions.
- The product complies with QB 2584-2007.

**⚠ CAUTION: Risk of injury or product damage.**  
Tempered glass cannot be cut, drilled or knocked by hard object. Make sure corner area of the glass refraining from knocking so as to cause personal injury due to broken glass.

**ATTENTION:** Please install this door on Kohler receptors or curbs (Not included). If the curb is not Kohler-branded, please note its top width should be more than 80mm.

**IMPORTANT:** The shower door requires a flat vertical finished wall. The squareness of the wall is recommended no more than 3 mm/m. KOHLER Company won't take responsibility of the installation quality.

Do not use the enclosure for at least 24 hours.  
安装后 24 小时内请勿使用淋浴房。



## 安装之前

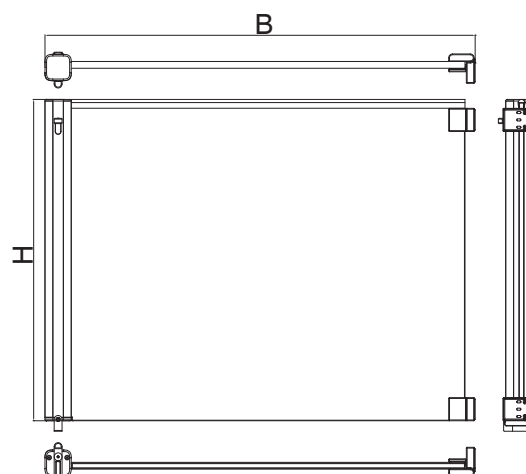
- 说明书中所有的资料是按最新出版的产品资料编写而成。科勒中国有限公司保留任何时候无须通知即可改变产品特性、包装或产品可供类型的权利。
- 说明书包括重要的安装、清洁及保养方面的内容，**请把这些资料交给用户阅读，保管。**
- 确保在安装淋浴房之前已经完整正确地安装了浴室和完工墙面材料。淋浴区墙地面应做防水处理，并不得布置有电器开关、插座。确保地面排水通畅。
- 在进行淋浴房安装之前，请拿出、排列并确认所有的零部件。请参考第 2 页上所示的分解图。
- 对尺寸与本标准产品不同的定制淋浴房，参照本说明书进行安装。
- 本产品符合 QB 2584-2007。

**⚠ 警告：可能有人伤害或者产品损坏的危险。**  
钢化玻璃不能进行切割，钻孔或硬物敲击。搬移或安装过程中，小心确保玻璃边、角部位不受撞击，以防爆裂伤人。

**建议：**将本产品安装在科勒淋浴盆或挡水条上（需另行购买）。如自备挡水条，建议顶面宽度尺寸大于 80mm。

**重要事项：**淋浴房需要安装在平坦垂直的墙面上。墙面的垂直度推荐在正负 3mm/m 以内。如果超出此范围，科勒公司将不保证淋浴房的完美使用。

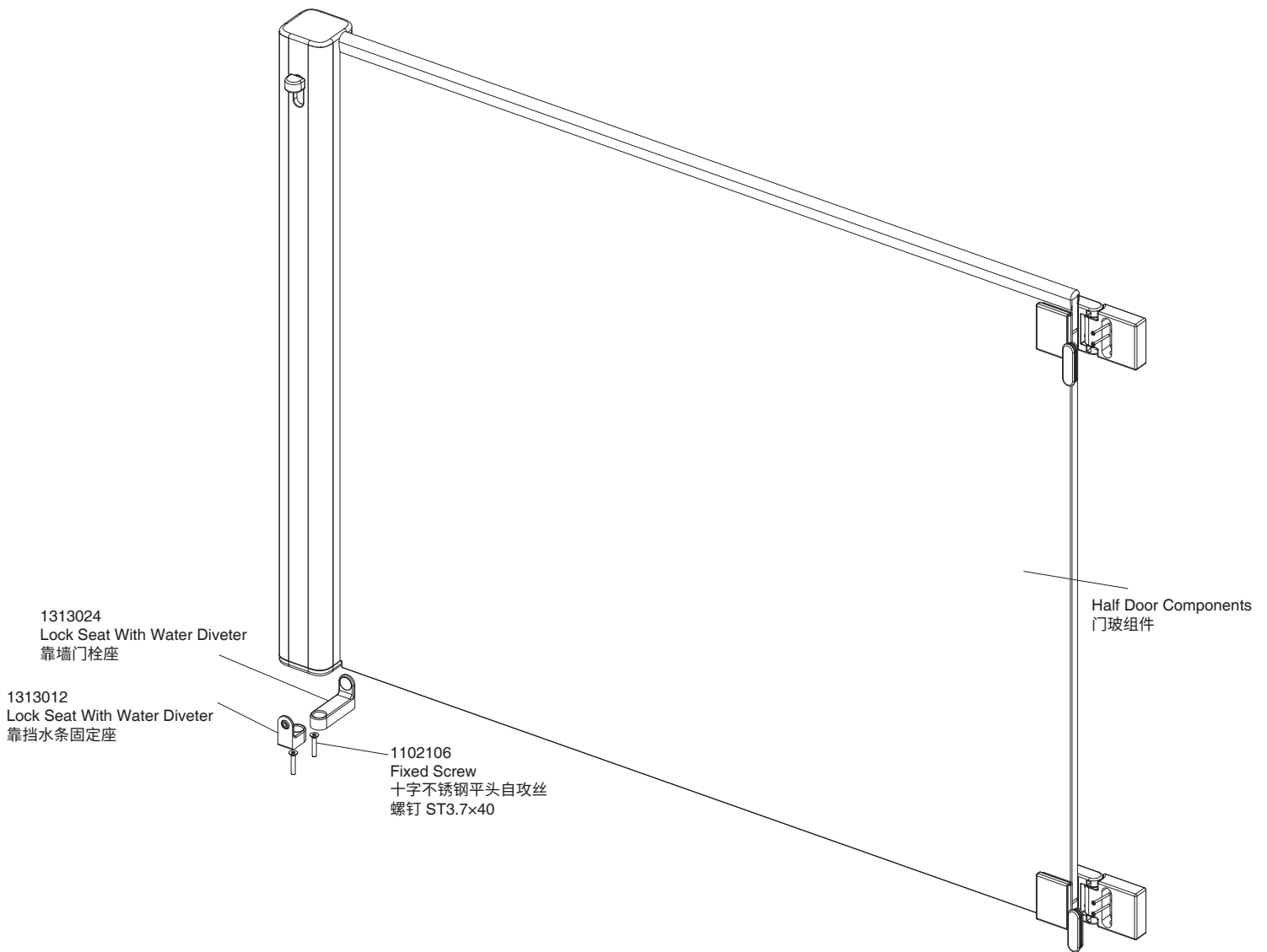
## ROUGHING-IN 尺寸图



Unit: mm  
单位: 毫米

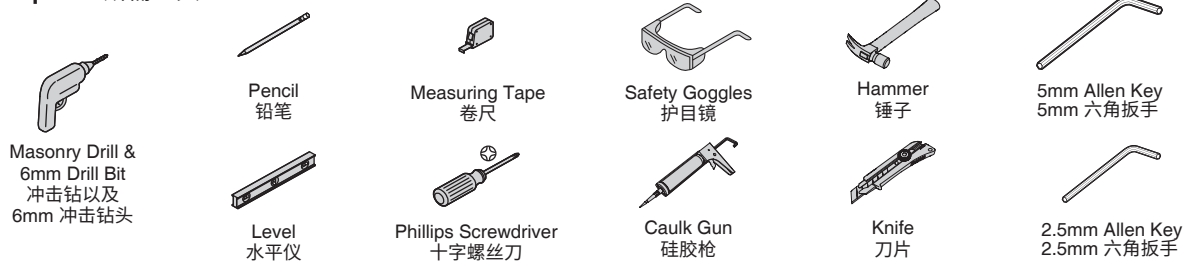
SKU	B	H
706264T-FM-SHP	550-900(mm)	612(mm)

ZHONGSHAN KOHLER SHOWER CO., LTD. NO13-1, XINGYE ROAD, ZHONGSHAN TORCH DEVELOPMENT ZONE, ZHONGSHAN, GUANGDONG, CHINA POST CODE: 528437  
中山科勒卫浴有限公司 广东省中山市中山火炬开发区兴业路 13-1 号 邮编:528437

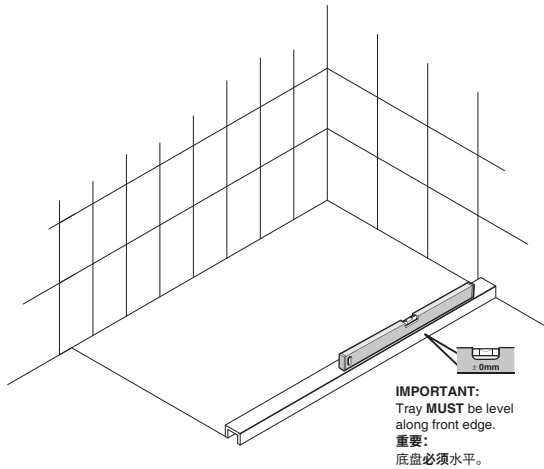


	X1	Protected Strip 保护胶条
	X1	Lock Seat With Water Diveter 靠墙门栓座
	X2	Lock Seat With Water Diveter 靠挡水条固定座
	X2	Fixed Screw 十字平头自攻丝螺钉 ST3.7×40
	X6	Hollow Wall Anchor, Nylon 膨胀套
	X4	Pan Screw ST3.5×40 圆头螺丝 ST3.5×40

#### Tools Required/所需工具

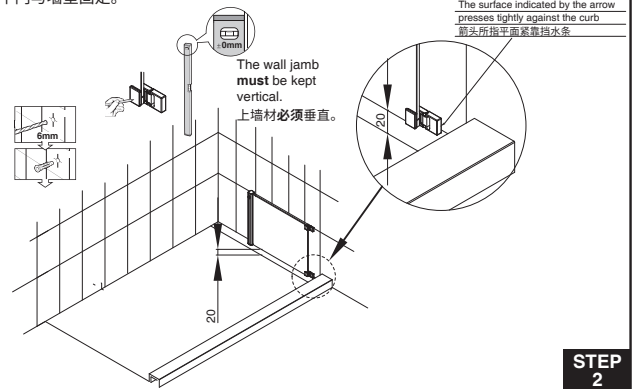


1. Install the half door inside the enclosure.
  2. Refer to the shower instructions for how to install the weather bar and the shower.
1. 半门安装在淋浴房内部。
  2. 挡水条和淋浴房安装, 参考对应淋浴房说明书。



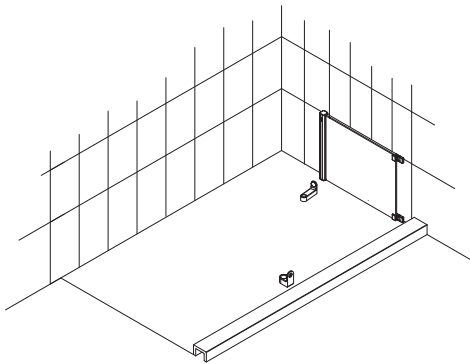
**STEP 1**

1. As shown in the figure below, install the door glass 20 mm above the ground and make sure the end surface of the hinge, after being opened, presses tightly against the weather bar (or the wall jamb if no weather bar is present) and its rear presses against the wall.
  2. Use a level to make sure that the end surface of the half door hinge is perpendicular to the ground.
  3. Mark the screw holes with a pencil as shown in the figure below. Then drill holes and install the hollow wall anchor into the wall.
  4. Fix the half door onto the wall.
1. 参考下图, 门坡底部距离地面20mm, 铰链打开端面紧靠挡水条 (没有挡水条的紧靠墙材) 背面靠墙壁。
  2. 用水平仪测量, 使半门铰链端面与地面垂直。
  3. 参考下面方式, 用铅笔标记螺钉孔位置, 然后钻孔将膨胀套装入墙壁。
  4. 将半门与墙壁固定。



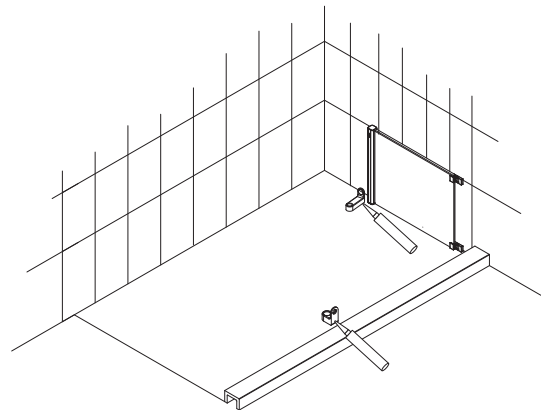
**STEP 2**

1. Cover the lock seat with water diverter on the bolt and press it tightly against the wall. Mark the position with a pencil.
  2. Drill a hole and install the hollow wall anchor by reference to step 1.
  3. Install the lock seat with water diverter.
  4. Cover the lock seat with water diverter on the bolt and press it tightly against the weather bar. Mark the position with a pencil. Drill a hole and install the hollow wall anchor. Then install the lock seat.
1. 将靠墙门栓座套入插销, 紧靠墙壁, 用笔标记好位置。
  2. 参考第一步方法钻孔, 装膨胀套。
  3. 安装靠墙门栓座。
  4. 将靠挡水条固定座, 套入插销, 紧靠挡水条, 用笔标记好位置, 然后钻孔, 装膨胀套, 再安装好固定座。



**STEP 3**

1. Apply sealant around the lock seat of the bolt.
1. 插销固定座周围打胶。



**STEP 4**