

## BEFORE YOU BEGIN

- All information is based on the latest product information available at the time of publication. Kohler China Ltd. reserves the right to make changes in product characteristics, packaging, or availability at any time without notice.
- These instructions contain important care, cleaning, and warranty information-**please leave these instructions for the consumer.**
- Make sure that the bath and the finished wall material are completely and correctly installed prior to installing your shower door. Prepare waterproof layer to wall and floor of the showering area. It is not allowed for any presence of electric switches and sockets. Make sure the floor drain runs smoothly.
- Before starting the door installation, lay out and identify all the parts. Use the exploded view illustrated on page 2 for reference.
- For the installation method of customized shower with different dimensions, please refer to this instructions.
- The product complies with QB 2584-2007.

**⚠ CAUTION: Risk of injury or product damage.**  
Tempered glass cannot be cut, drilled or knocked by hard object. Make sure corner area of the glass refraining from knocking so as to cause personal injury due to broken glass.

**ATTENTION:** Please install this door on Kohler receptors or curbs(Not included). If the curb is not Kohler-branded, please note its top width should be more than 80mm.

**IMPORTANT:** The shower door requires a flat vertical finished wall. The squareness of the wall is recommended no more than 3 mm/m. KOHLER Company won't take responsibility of the installation quality.

## 安装之前

- 说明书中所有的资料是按最新出版的产品资料编写而成。科勒中国有限公司保留任何时候无须通知即可改变产品特性、包装或产品可供类型的权利。
- 说明书包括重要的安装、清洁及保养方面的内容, **请把这些资料交给用户阅读, 保管。**
- 确保在安装淋浴房之前已经完整正确地安装了浴室和完工墙面材料。淋浴区墙地面应做防水处理, 并不得布置有电器开关、插座。确保地面排水通畅。
- 在进行淋浴房安装之前, 请拿出、排列并确认所有的零部件。请参考第 2 页上所示的分解图。
- 对尺寸与本标准产品不同的定制淋浴房, 参照本说明书进行安装。
- 本产品符合 QB 2584-2007。

**⚠ 警告: 可能有人伤害或者产品损坏的危险。**  
钢化玻璃不能进行切割, 钻孔或硬物敲击。搬移或安装过程中, 小心确保玻璃边、角部位不受撞击, 以防爆裂伤人。

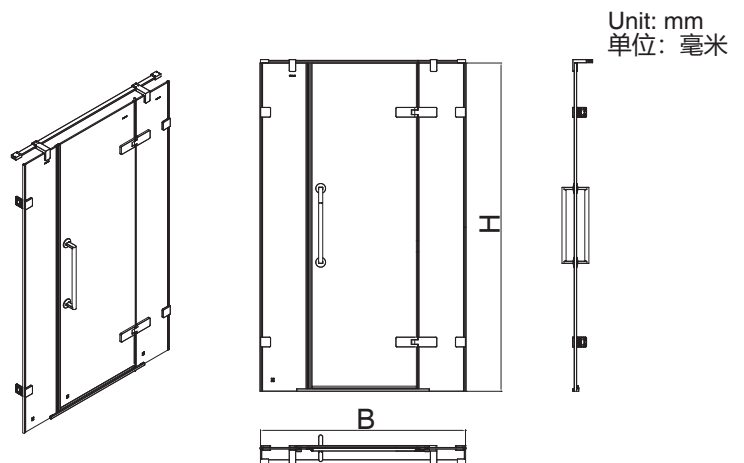
**建议:** 将本产品安装在科勒淋浴盆或挡水条上(需另行购买)。如自备挡水条, 建议顶面宽度尺寸大于 80mm。

**重要事项:** 淋浴房需要安装在平坦垂直的墙面上。墙面的垂直度推荐在正负 3mm/m 以内。如果超出此范围, 科勒公司将不保证淋浴房的完美使用。

## ROUGHING-IN

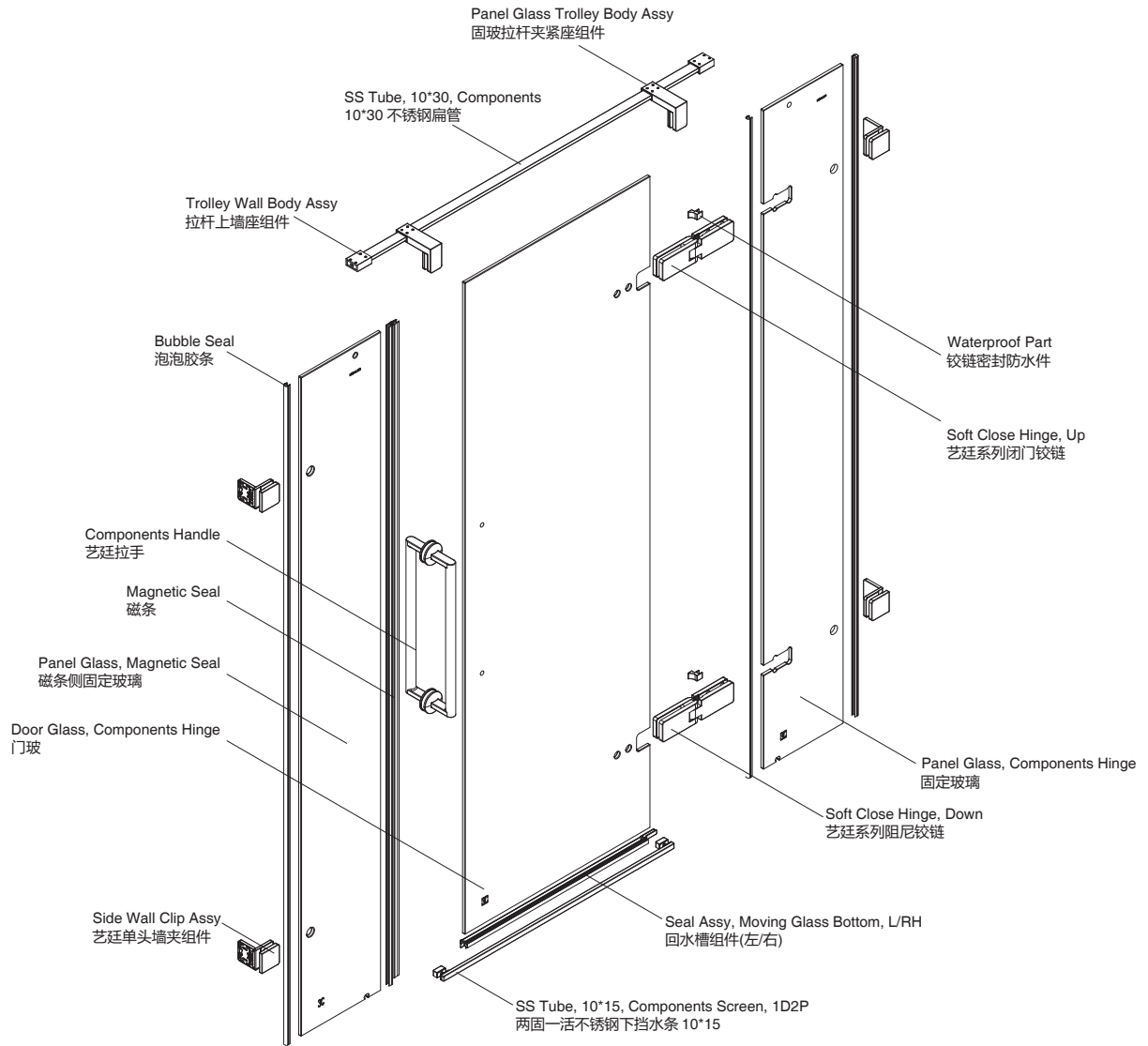
## 尺寸图

Do not use the enclosure for at least 24 hours.  
安装后 24 小时内请勿使用淋浴房。



SKU	B	H
K-701802T	1250-2000	1850-2200

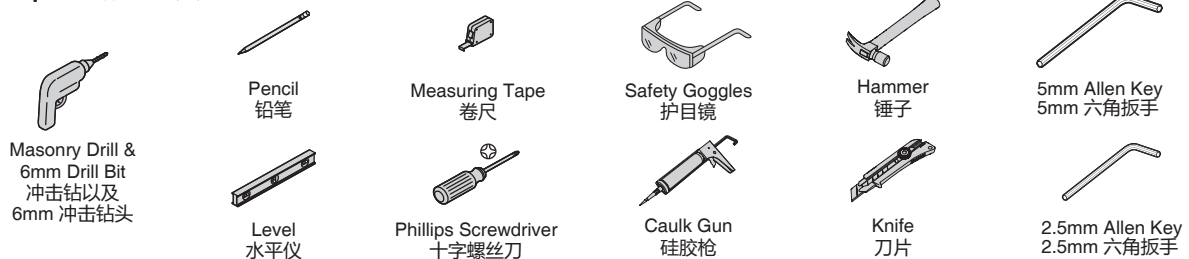
ZHONGSHAN KOHLER SHOWER CO., LTD. NO13-1, XINGYE ROAD, ZHONGSHAN TORCH DEVELOPMENT ZONE, ZHONGSHAN, GUANGDONG, CHINA POST CODE: 528437  
中山科勒卫浴有限公司 广东省中山市中山火炬开发区兴业路 13-1 号 邮编: 528437



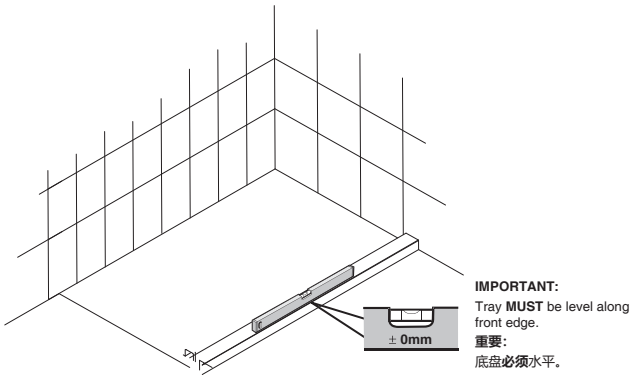
	X1	Soft Close Hinge, Up 艺廷系列闭门铰链
	X1	Soft Close Hinge, Down 艺廷系列阻尼铰链
	X2	Trolley Wall Body Assy 拉杆上墙座组件
	X2	Panel Glass Trolley Body Assy 固玻拉杆夹紧座组件
	X1	SS Tube, 10*30, Components 10*30 不锈钢扁管
	X4	Side Wall Clip Assy 艺廷单头墙夹组件
	X2	Waterproof Part 铰链密封防水件
	X1	Components Handle 艺廷拉手

	X1	SS Tube, 10*15, Components Screen, 1D2P 两固一活不锈钢下挡水条 10*15
	X1	Seal Assy, Moving Glass Bottom, L/RH 回水槽组件(左/右)
	X1 X3	Magnetic Seal 磁条 Bubble Seal 泡泡胶条
	X2	Pan Screw ST3.5X40 圆头螺丝 ST3.5X40
	X10	Screw ST3.5X40 沉头螺丝 ST3.5X40
	X1	Screw Key 4mm 内六角扳手 4mm
	X1	Screw Key 3mm 内六角扳手 3mm
	X1	Screw Key 2.5mm 内六角扳手 2.5mm

### Tools Required/所需工具



1. Place the weather bar. The installation surface in the shower room must be flat.
1. 放置挡水条，淋浴房安装面必须打水平。

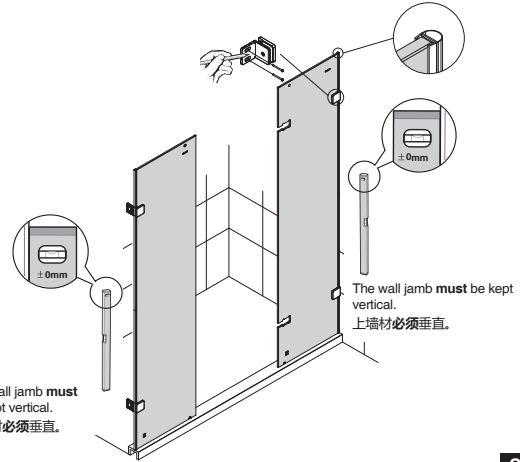


**IMPORTANT:**  
Tray **MUST** be level along front edge.  
**重要:**  
底座必须水平。

**STEP 1**

1. Install the seal and wall clip onto all panel glasses. Place the glasses horizontally 30 mm to the external edge of the stone base from the inside). Then draw lines and drill holes.

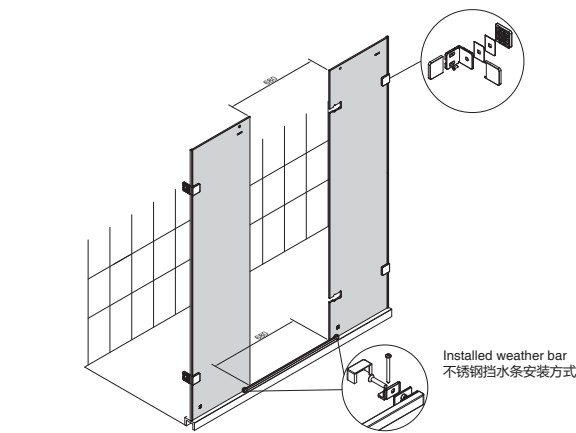
1. 所有固玻上先装好胶条和墙夹，在石基外沿内偏30mm处水平放置，然后画线、钻孔。  
**Important:** Draw lines and drill holes after installing the wall clip upright.  
**重要:** 墙夹要装正后，才开始画线、钻孔。



The wall jamb **must** be kept vertical.  
上墙材必须垂直。

**STEP 2**

1. Install all panel glasses.
2. Adjust the left and the right panel glasses so that they are 680 mm apart (see the figure below).
3. Install the stainless steel weather bar assembly as shown in the figure below.

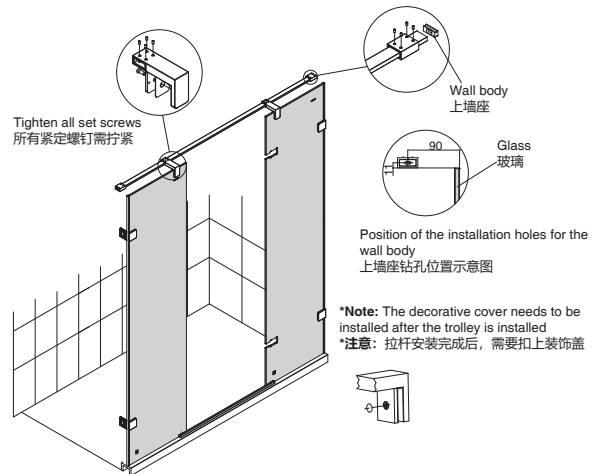


Installed weather bar  
不锈钢挡水条安装方式

**STEP 3**

1. Drill the installation holes into the wall according to the dimensions shown in the figure below.
2. Install the handle.

1. 按下图尺寸在墙面钻好安装孔。
2. 安装拉杆。

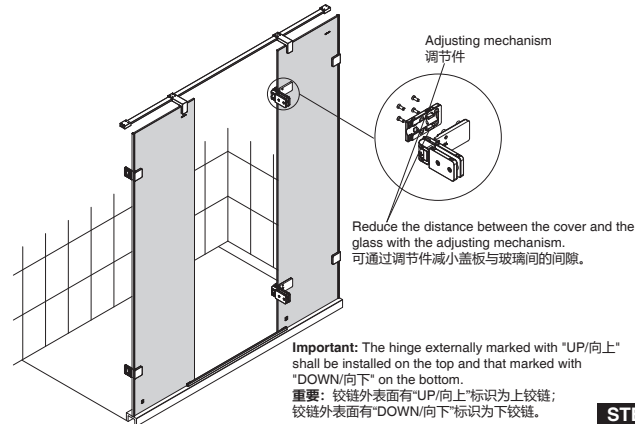


Position of the installation holes for the wall body  
上墙座钻孔位置示意图

**\*Note:** The decorative cover needs to be installed after the trolley is installed  
**\*注意:** 拉杆安装完成后，需要扣上装饰盖

**STEP 4**

1. Loosen the lock screws on the inside of the hinge. Insert the adjusting mechanism into the opening of the glasses (make sure that the plastic cover and the plastic washers on both sides of the glasses are present before installation). Lock the hinges onto the panel glasses. Tighten the upper and the lower adjust screws while keeping the hinge horizontal. Then tighten the connecting screws on the internal cover.
1. 松开铰链内侧锁板螺丝，将合页调节件卡入玻璃开口内（安装前需确保调节件塑胶套无脱落，玻璃两侧的塑胶垫片无遗漏。）将合页锁至固定玻璃上。当合页处于水平状态时拧紧上下两个调节螺丝，最后锁紧内侧盖板的连接螺丝。



Adjusting mechanism  
调节件

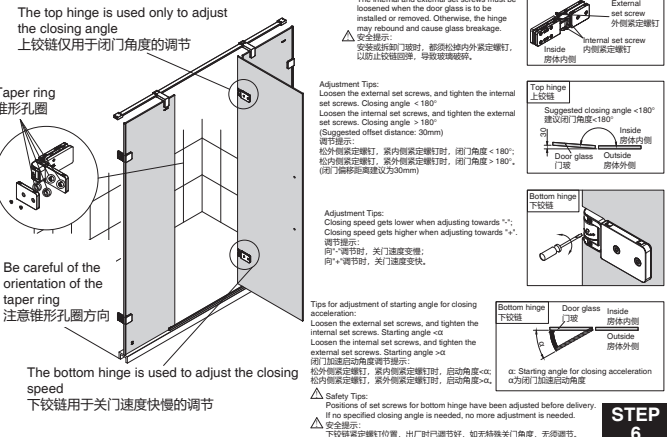
Reduce the distance between the cover and the glass with the adjusting mechanism.  
可通过调节件减小盖板与玻璃间的间隙。

**Important:** The hinge externally marked with "UP/向上" shall be installed on the top and that marked with "DOWN/向下" on the bottom.  
**重要:** 铰链外表面有"UP/向上"标识为上铰链；铰链外表面有"DOWN/向下"标识为下铰链。

**STEP 5**

1. Adjust the closing angle with the set screw.

1. 通过紧定螺钉调整好关门的角度。  
**Tips:** 1. The room must be sufficiently supported before the door glass is installed.  
2. Four set screws on the top hinge need to be loosened when the door glass is being removed, otherwise the hinge may rebound and cause the glass to break.  
**温馨提示:** 1. 门玻安装前，房体必须有足够的支撑；  
2. 拆卸淋浴房门玻时，需松开铰链的四颗调节紧定螺钉，防止铰链回弹引起玻璃爆裂。



The top hinge is used only to adjust the closing angle  
上铰链仅用于闭门角度的调节

Taper ring  
锥形孔圈

Be careful of the orientation of the taper ring  
注意锥形孔圈方向

The bottom hinge is used to adjust the closing speed  
下铰链用于关门速度快慢的调节

**△ Safety Tips:**

The internal and external set screws must be loosened when the door glass is to be installed or removed. Otherwise, the hinge may rebound and cause glass breakage.

**△ 安全提示:**

安装或拆卸门玻时，必须松开内外紧定螺钉，以防止铰链回弹，导致玻璃破裂。

**Adjustment Tips:**

Loosen the external set screws, and tighten the internal set screws. Closing angle < 180°  
Loosen the internal set screws, and tighten the external set screws. Closing angle > 180°  
(Suggested offset distance: 30mm)

**调节提示:**

松开外紧定螺钉，紧内紧定螺钉时，闭门角度 < 180°；  
松开内紧定螺钉，紧外紧定螺钉时，闭门角度 > 180°。  
(建议偏移距离为30mm)

**Adjustment Tips:**

Closing speed gets lower when adjusting towards "+";  
Closing speed gets higher when adjusting towards "-";  
调节提示:  
向"+"调节时，关门速度变慢；  
向"-调节时，关门速度变快。

**Tips for adjustment of starting angle for closing acceleration:**

Loosen the external set screws, and tighten the internal set screws. Starting angle < 0°  
Loosen the internal set screws, and tighten the external set screws. Starting angle > 0°  
(门玻加速后角度调节提示:  
松开外紧定螺钉，紧内紧定螺钉时，启动角度 < 0°；  
松开内紧定螺钉，紧外紧定螺钉时，启动角度 > 0°。

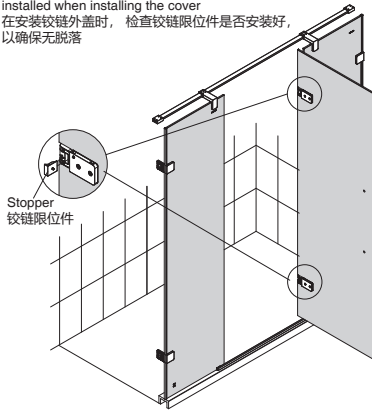
**△ Safety Tips:**

Positions of set screws for bottom hinge have been adjusted before delivery.  
If no specified closing angle is needed, no more adjustment is needed.  
**安全提示:**  
下铰链紧定螺钉位置，出厂时已调整好，如无特殊关门角度，无需调节。

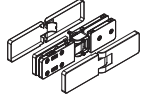
**STEP 6**

1. Install the hinge stopper and the hinge cover.  
1. 装好铰链限位件，及扣好铰链盖板；

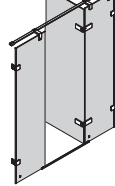
Check if the stopper is correctly and securely installed when installing the cover.  
在安装铰链外盖时，检查铰链限位件是否安装好，以确保无脱落



Install the internal cover while opening the door outward.  
Install the external cover while opening the door inward.  
门往外打开时，装好铰链内侧的盖板；  
门往内打开时，装好铰链外侧的盖板。



Door opened inward  
门往内打开状态

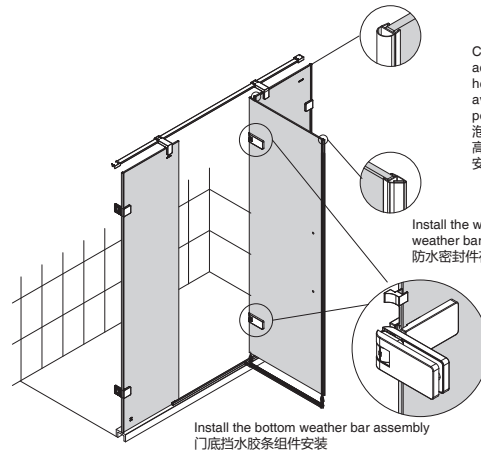


STEP  
7

1. Install the magnetic seal and the weather bar.

1. 装好磁条，挡水胶条。  
**Important:** Install the hinge cover before the side weather bar.  
**重要:** 在安装侧挡水胶条前，先扣好铰链盖板。

Cut the bubble seal according to the actual height of the glass to avoid the installation positions of the hinges.  
泡泡胶条需根据实际玻璃高度剪断，用以避开铰链安装位置

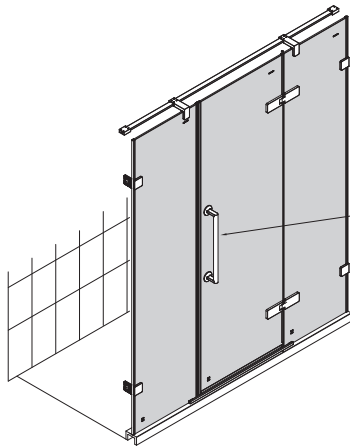


Install the waterproof part before the side weather bar.  
防水密封件在安装侧挡水胶条前须装好。

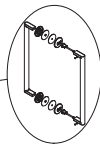
Install the bottom weather bar assembly  
门底挡水胶条组件安装

STEP  
8

1. Install the handle assembly onto the door glass.  
1. 将把手组件安装在门玻上。

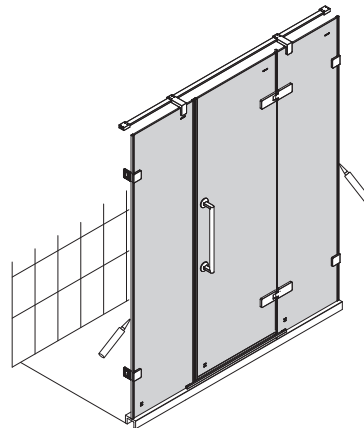


Install the handle onto the door glass  
将把手安装在门玻上



STEP  
9

1. Apply glass cement both inside and outside as shown in the figure below.  
1. 按下图所示，在淋浴房里外都打上玻璃胶。



STEP  
10