

BEFORE YOU BEGIN

- Thank you for choosing the Bold Look of Kohler. Kohler craftsmanship offers you a rare combination of proven performance and graceful sophistication that will satisfy you for years to come. The quality and dependability of your Kohler toilet seat will surpass your highest expectations. We're very proud of our products here at Kohler and we know you will be too.
- Please take a few minutes to study this manual. Pay special attention to the Care and Cleaning instructions.
- All information in this manual is based upon the latest product information available at the time of publication. At Kohler, we constantly strive to improve the quality of our products. We reserve the right to make changes in product characteristics, packaging or availability at any time without notice.

安装之前

- 感谢您选择科勒公司产品。科勒的精湛工艺为您提供优异性能和雅致外形相结合的完美产品，将使您对今后的使用感到满意。科勒座便器盖板的优异性能和质量将超出您的期望。我们为科勒产品感到骄傲，您一定会有同样的感受。
- 请仔细阅读此手册。并请特别注意保养和清洁指南。
- 此手册中所有信息均来源于此手册发表时最新产品的信息。科勒公司将一如既往地致力于提高产品质量。科勒公司保留随时更改产品规格、包装、或者供货的权利，恕不另行通知。

INSTALLATION

Install the Toilet Seat

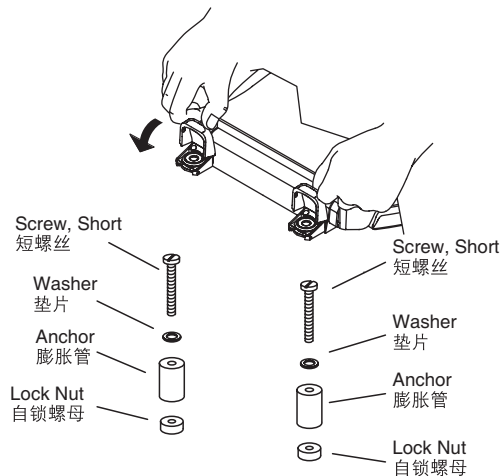
- Remove the existing toilet seat and mounting hardware.
- Dispose of the old toilet seat and mounting hardware.
- If necessary, clean the toilet surface.
- Grasp the toilet seat in both hands and use both thumbs to push the hinge to the horizontal position.
- Use a finger to lift each hinge cover.

安装

安装座便器盖板

- 拆除现有的座便器盖板和固定部件。
- 移走现有的座便器盖板和固定部件。
- 如果需要，清洁马桶表面。
- 双手抓住座便器盖板，并用大拇指将铰链摁到水平位置。
- 用手指将两个铰链盖揭开。

K-17676T/K-17674T/K-17675T
 K-18040T-PL/K-4760T-PL/K-17671T



K-17660T/K-17669T

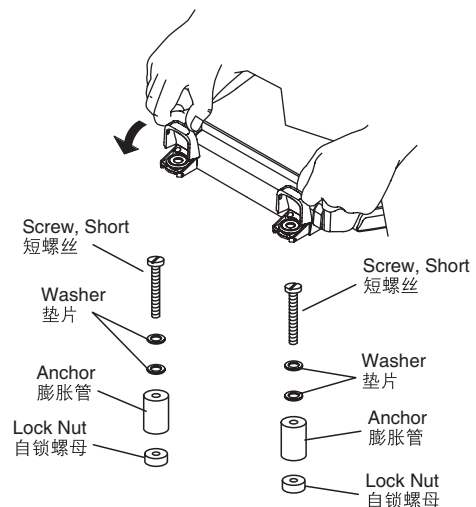


Fig. #1
图1

For Standard Installation Using Plastic Nuts

- Place a metal washer on each of the two bolts and insert the bolts in the toilet seat as shown.
- Insert a gasket on each of the bolts as shown.
- Align the two bolts with the holes in the toilet and position the seat on the toilet.
- Thread a plastic nut on each of the bolts as shown.
- Check that the seat is properly positioned.
- Using a flat bladed screwdriver and an adjustable end wrench, tighten the nuts. Do not overtighten.
- Close the hinge covers.
- Raise the lid and drop it. Observe that it closes slowly.

使用塑料螺母的标准安装方式

- 两个螺钉分别套上金属垫圈，并将螺钉如图1所示插入座便器盖板。
- 分别将垫圈如图1所示置于螺钉上。
- 对齐两个螺钉与座便器上相应的安装孔，将盖板固定在座便器上。
- 使用塑料螺母，将两个螺钉分别拧紧。
- 检查并确保座便器盖板安装到位。
- 使用平面叶状螺丝刀和可调式平扳手，拧紧螺母。切勿过度拧紧。
- 盖上铰链盖。
- 抬起座便器盖板并放下。确保盖板缓慢下落。

For Installation Using Pre-Installed Metal Nuts

- Place a metal washer on each of the two bolts and insert the bolts in the toilet seat as shown.
- Insert a gasket on each of the bolts as shown.
- Align the two bolts with the pre-installed metal nuts in the toilet and thread the bolts into the nuts.
- Check that the seat is properly positioned.
- Using a flat bladed screwdriver, tighten the nuts. Do not overtighten.
- Close the hinge covers.
- Raise the lid and drop it. Observe that it closes slowly.

使用预装金属螺母的安装方式

- 两个螺钉分别套上金属垫圈，并将螺钉如图1所示插入座便器盖板。
- 分别将垫圈如图1所示置于螺钉上。
- 对齐两个螺钉与座便器上预装的金属螺母，将螺钉拧紧固定在螺母上。
- 检查并确保座便器盖板安装到位。
- 使用平面叶状螺丝刀和可调式平扳手，拧紧螺母。切勿过度拧紧。
- 盖上铰链盖。
- 抬起座便器盖板并放下。确保盖板缓慢下落。

OPERATION

操作

Your Kohler toilet seat is designed to close slowly when the lid is dropped. To close the seat, simply flip the lid forward.

The toilet seat also has an easy-to-clean quick-release hinge that allows the toilet seat to be quickly removed for complete cleaning.

The hinge covers are easily lifted using a fingertip. If room is tight, push the toilet seat back to ease the hinge cover operation.

Once the hinge covers are lifted, pull the toilet seat forward leaving the mounting hardware in place.

After cleaning, simply push the toilet seat back into place on the mounting hardware and close the hinge covers.

根据设计，科勒座便器盖板在盖板揭开后，将缓慢下落。如果您要关闭座便器盖板，请向前翻盖板。

座便器盖板有一个便于清洁的快速拆卸铰链，用户可以非常便利地将盖板拆下，进行彻底清洁。

使用手指甲可以方便地将铰链盖子揭开。如果感觉手指操作空间过小，请将座便器盖板向后推，以方便揭开铰链盖。

一旦铰链盖被揭开后，请将座便器盖板前拉，使安装部件安置到位。

清洗过后，将座便器盖板安置到位，使用安装部件将其固定，并盖上铰链盖。

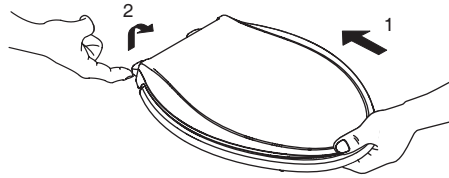


Fig. #2
图2

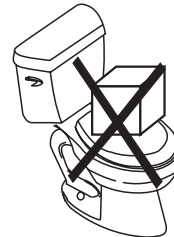
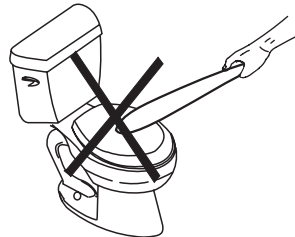
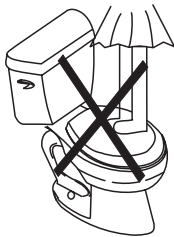
IMPORTANT CONSUMER INFORMATION 用户须知

Important Notice for Care, Cleaning and Daily Use

清洗保养和日常使用注意事项

CAUTION: Risk of product damage. Do not stand, knock or stack heavy stuffs on the toilet seat. The weight could damage the toilet seat.

注意：小心产品受损。座便器上禁止踩踏、敲击或堆叠重物以防超重导致盖板受损。



Clean the outside surface of your toilet seat with mild soap, such as liquid dish soap and warm water. Wipe the entire surface completely dry with a clean soft cloth. Do not use any abrasive cleaners, as they will scratch and dull the surface. Avoid any detergents, disinfectants, or cleaning products in aerosol cans. Avoid contact with abrasive chemicals and cosmetics, such as fingernail polish and aftershave, as they may damage the finish of your toilet seat. Do not use detergent with strong acidic or strong alkaline property to prevent possible damage to hinge of seat.

请使用温和的皂液清洁座便器盖板外侧，例如洗清稍加温水。然后用干净的软布擦干。不要使用任何磨损性的清洗剂，它们会划伤表面，使表面失去光泽。避免使用任何气雾类清洁剂，消毒剂清洁产品。避免与磨损性的化学品和化妆品接触，诸如指甲油和须后水，因为它们可能破坏座便器盖板的表面。请勿使用强酸性或强碱性清洁剂以免腐蚀铰链装置。

If the surface becomes excessively dirty, please use a general purpose cleaner.

如果盖板表面很脏，请使用一般性的洗涤剂。

Take care with seat open and close. Overforce may crush the seat.

使用盖板时轻开轻放，以免冲击力过大使盖板破损。

Avoid direct exposure to strong light such as ultraviolet lamp.

避免强光源如紫外灯直射或烘烤。

