

KOHLER[®] Faucets

One-port thermostatic valve w/ integral volume control

Anthem™
K-26339T

Features

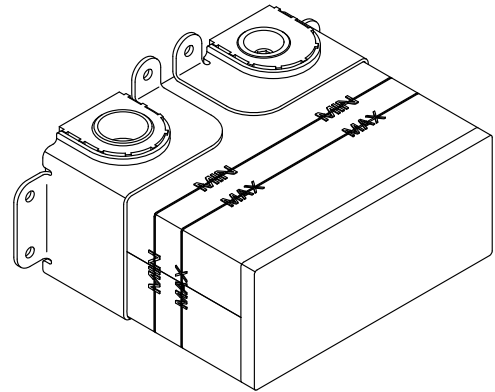
- High-flow thermostatic mixing valve.
- Mechanically controlled thermostatic mixing valve maintains outlet temperature throughout shower experience.
- Up to 7 gpm (26.5 lpm) maximum flow rate at 45 psi (3.1 bar).
- G 3/4 female inlet connections.
- G 1/2 female outlets.
- Service stops with integral filters.
- Antiscald protection.
- Integrated adjustable high-temperature limit stop to control maximum water temperature.
- Adjustable comfort setting (preset at approximately 104°F).

Material

- Cast dezincification-resistant brass body provides long term reliability and resistance to aggressive water conditions.

Installation

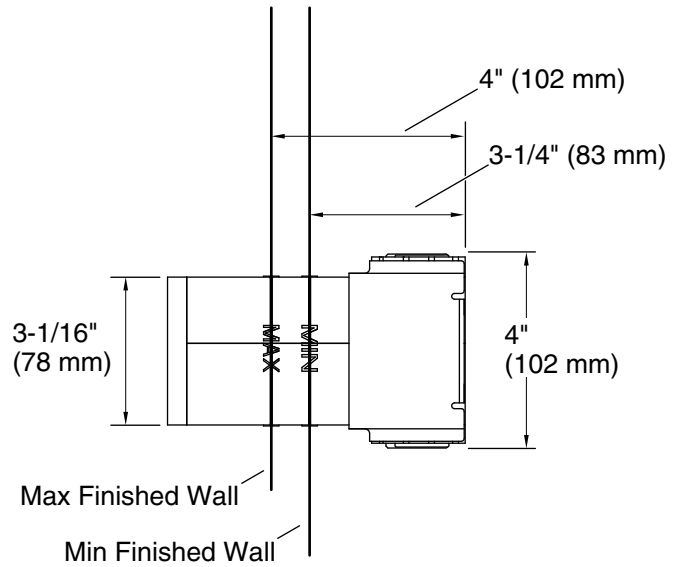
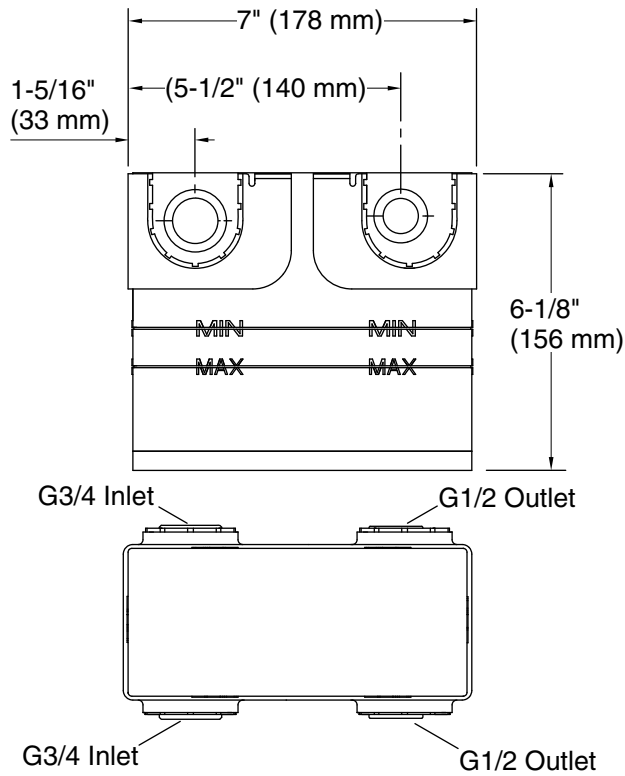
- Requires one-outlet thermostatic valve control panel trim with recessed push button (sold separately).
- Fully-serviceable from the front of the valve.



Codes/Standards

None Applicable

See website for detailed warranty information.



Technical Information

All product dimensions are nominal.

Valve body: Cast brass