

BEFORE YOU BEGIN

- Please read these instructions carefully to familiarize yourself with the required tools, materials, and installation sequences. Follow the sections that pertain to your particular installation. This will help you avoid costly mistakes. In addition to proper installation, read all operating and safety instructions.
- All information in these instructions is based upon the latest product information available at the time of publication. Kohler China reserves the right to make changes in product characteristics, packaging, or availability at any time without notice.
- These instructions contain important care, cleaning, and warranty information-**please leave instructions for the consumer.**
- ORIENTAL bathroom cabinet adopts E1 grade wood-based panel of high quality, and with further processing, its harmful emissions will be less than 1.5mg/L.
- Turn off the water supply.
- The plumbing installation must comply with Water Supply Regulations/Bye-laws, Building Regulations or any particular regulations and practices, specified by the local water company or water undertakers. The installation should be carried out by a plumber.
- Before installation carefully inspect the new fixture for any signs of damage.
- This product complies with GB 24977-2010.

安装之前

- 请仔细阅读本指引，以便熟悉所需工具、物料及安装程序。请遵照适用的章节来安装本产品，以免安装失当导致不必要的损失。除了有关正确的安装方法之外，还务请详阅所有操作及安全指引。
- 本指引所载之一切资料，均以印刷时所有之最新产品情况为基础，科勒中国保留权利随时更改产品特性、包装或供应情况，恕不另行通知。
- 本指引也包含了有关保养、清洁及担保等重要资料-请交予用户保存。
- 新幻浴室柜选用E1级优质饰面人造板精心加工而成，其有害气体释放量少于1.5mg/L。
- 关闭供水。
- 管道安装必须遵循当地所有给排水、建筑或者其他的特别规定。管道安装人员必须具备相应资格。
- 安装之前，仔细检查新产品是否有损伤。
- 本产品符合GB 24977-2010。

ORDERING INFORMATION

This installation covers the following products in the ORIENTAL range:

- ORIENTAL 900mm Mix Cabinet.....K-23111T/K-23113T
- ORIENTAL 600mm Mix Cabinet.....K-23112T/K-23114T

订购信息

此安装说明书适用于以下新幻系列家具的安装：

- 新幻900mm 浴室柜K-23111T/K-23113T
- 新幻600mm 浴室柜K-23112T/K-23114T

SAFETY WARNINGS

Kohler products are precision-engineered and should give continued superior and safe performance, provided:

1. They are installed, commissioned, operated and maintained in accordance with the recommendations given in this Manual.
2. Periodic attention is given, as necessary, to maintain the product in good functional order. Recommended guidelines are given in the MAINTENANCE section.

Carefully inspect the new fixture for any signs of damage.

When installing Kohler Products, manufacturers guidelines for power tool safety should be followed.

安全警告

科勒产品经过精确制造，性能卓越，经久耐用。为保证产品质量，您必须：

1. 按照此手册中推荐的方法进行安装、起动、操作及维护。
2. 如有需要，定期检查，令产品保持良好性能状态。日常维护章节中列有推荐方法。

仔细检查新产品是否有损伤。

在安装科勒产品时，必须遵循制造商相关电动工具的安全的指令。

CHANGSHU KOHLER LTD., SOUTHEAST ECONOMIC DEVELOPMENT ZONE,
CHANGSHU, JIANGSU PROVINCE, CHINA POST CODE 215500
常熟科勒有限公司 江苏省常熟市东南经济开发区 邮编：215500

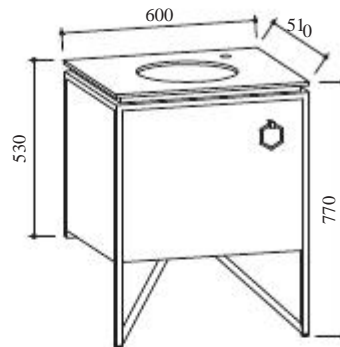
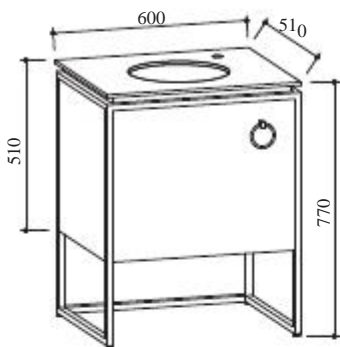
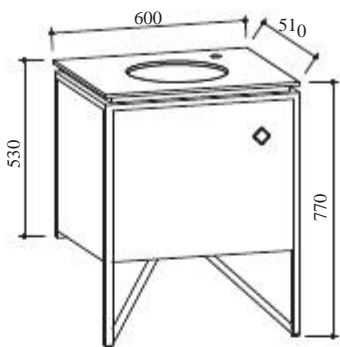
ROUGHING-IN

尺寸图

Reference Value
参考值

K-23112T/K-23114T
600mm Mix Cabinet
600mm 浴室柜

UNIT : mm
单位: 毫米



K-23111T/K-23113T
900mm Mix Cabinet
900mm 浴室柜

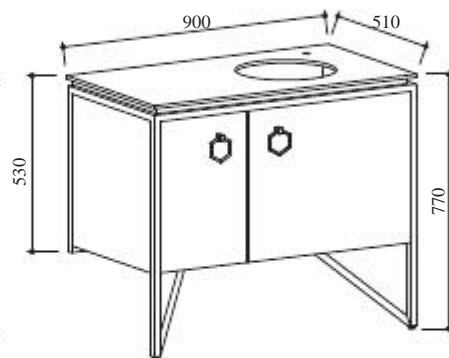
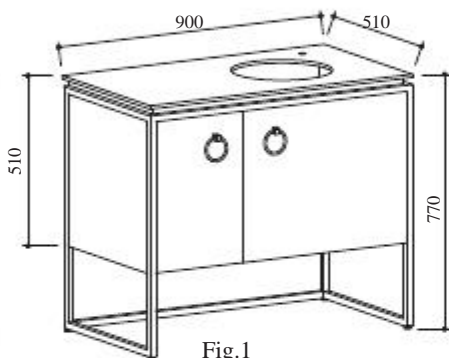
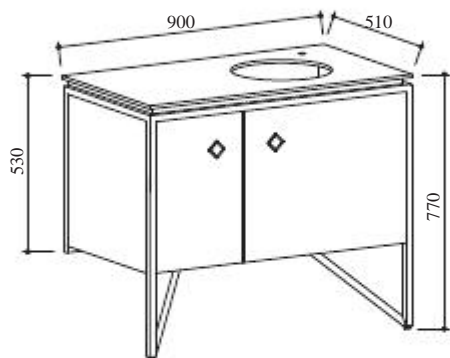


Fig.1
图1

Kohler reserves the right to change marked dimensions without prior notice.
科勒公司保留随时变更图中标示尺寸的权利, 无需另行通知。

INSTALLATION

安装

A. Install Washbasin Cabinet

Install the services.
Hot (H) and Cold (C) inlets must be connected to the correct inlet pipes.
Install the drain in accordance with the manufacturer's instructions.

We suggest using P-trap drain. Connect P-trap pipe with washbasin drain.

CAUTION! Make sure a watertight seal exists on all washbasin drain connections.

CAUTION! Provide access to the plumbing connections for future plumbing maintenance.

NOTE: The hot and cold water supplies must be installed with isolating valves.

A. 安装脸盆柜

安装管道。
热水(H)及冷水(C)入口必须连接至正确的进水管。

根据制造商说明书安装排水。

我们建议采用墙排水方式, 使用P弯管连接脸盆去水。

小心! 请确保所有脸盆排水的连接处都装有防水密封圈。

小心! 管道连接处需留有检修空间, 以备日后管道维护之用。

注意: 安装冷热供水管时必须使用隔离阀。



Fig.2
图2

1. Place the cabinet at a desired position in the bathroom, and then adjust the four adjustable feet to put the cabinet in place. (see Fig.3)

1. 将浴室柜放在卫生间合适的位置后，调节塑料调节脚，将产品水平放置到位。（见图3）

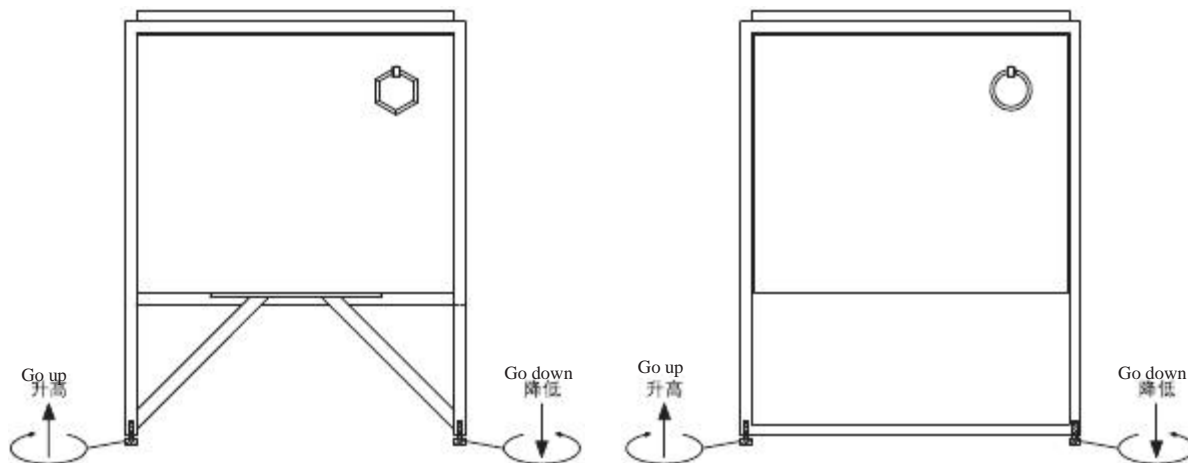


Fig.3
图3

2. Mark the wall through two holes at the corresponding positions. As Fig 4.

2. 通过两个圆孔在墙壁上相应位置做记号。如图4。

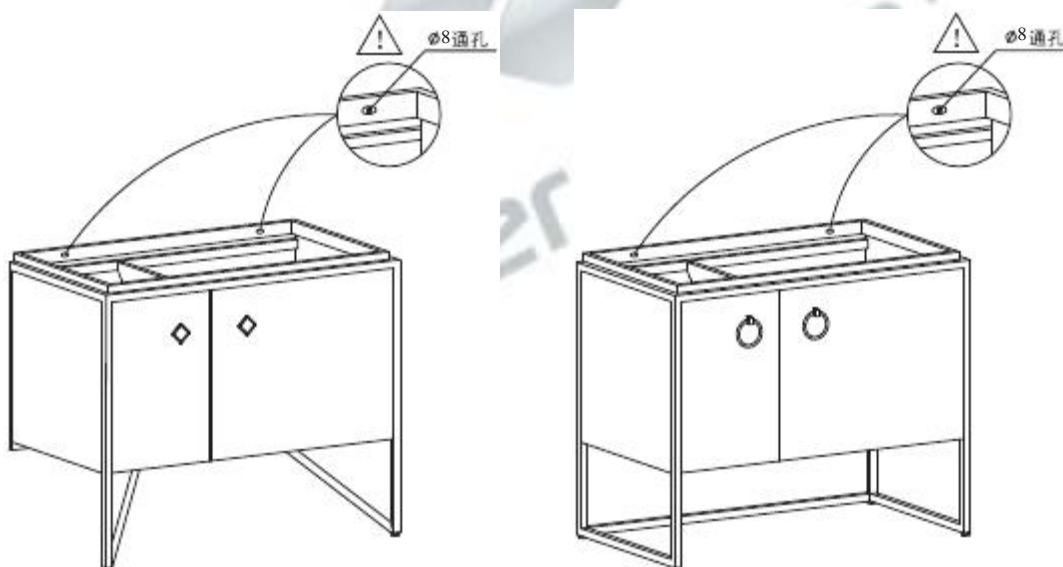


Fig.4
图4

3. Dismount the washbasin cabinet and put aside. Drill holes at the marked position.

3. 将脸盆柜取下放在一边，并在墙上记号处钻孔。

⚠ CAUTION! Avoid the cables and pipes inner set when drilling in the wall.

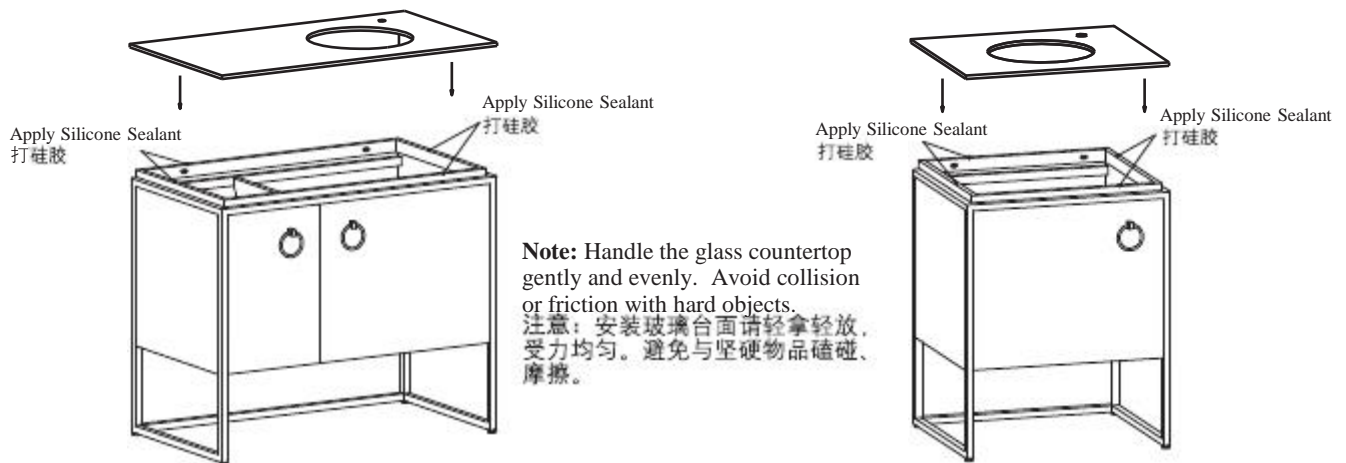
⚠ 小心! 在墙壁上钻孔时请务必避开内设的缆线和管道。

NOTE: Different types of bolts are required for different decoration boards. Please apply suitable bolts and Plugs.

注意: 不同的装饰墙面需要不同型号的螺钉。请使用合适的螺钉和入墙胶塞。

4. Insert the plugs into the wall.
5. Apply a washer to the screw before tighten it. Make sure the washbasin cabinet has been fixed firmly on the wall.
6. Evenly apply silicon sealant of high quality to where the cabinet connects the glass countertop. Place the glass countertop onto the cabinet and wait for the sealant to dry. See Fig.5

4. 将入墙胶塞打入墙壁。
5. 在螺钉上套上垫片通过ø8孔并拧紧。确定将脸盆柜牢固地固定在墙壁上。
6. 将柜体与玻璃台面接触的部位用硅胶枪均匀地涂上优质硅胶后，再将玻璃台面置于柜子上，待胶干。见图5



Note: Handle the glass countertop gently and evenly. Avoid collision or friction with hard objects.
注意：安装玻璃台面请轻拿轻放，受力均匀。避免与坚硬物品磕碰、摩擦。

Fig.5
图5

B. Finish Installation

1. Install the faucet and lavatory in accordance with the manufacturer's instructions.
2. Connect the hot and cold water supplies.
3. Attach the waste, and tighten securely.
4. Turn on the hot and cold water valves and check the supply connections for any leaks.
- a. Inwall drainage (P-Trap)
Please install the drain assembly and faucet as shown.
Please set the water supply and drainage position according to the suppliers instructions.

B. 完成安装

1. 根据制造商说明书 将龙头及台盆等安装在台面上。
2. 连接冷热供水管。
3. 安装排水，并上紧。
4. 打开冷、热水阀门，检查供水管接头处是否有渗漏。
- a. 入墙式排水管(P 弯管)
请按照如图所示安装排水管和龙头。请遵照供应商所提供的说明在墙上设置进、排水管位置。

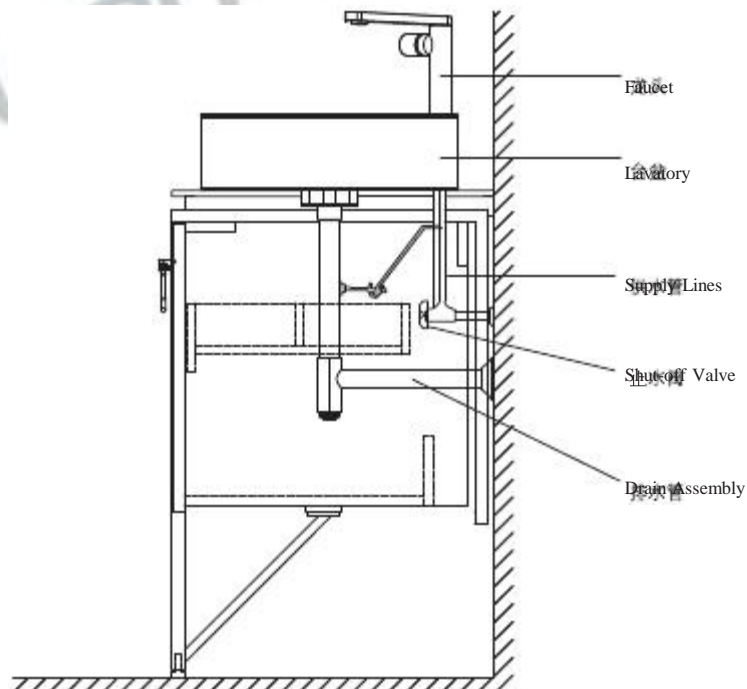


Fig.6
图6

- b. Floor drainage (S-Trap)
Please install the drain assembly and faucet as shown.
Please set the water supply and drainage position according to the suppliers instructions.

- b. 地排水 (S 弯管)
请按照如图所示设置排水管和龙头。请遵照供应商所提供的说明设进水管位置。

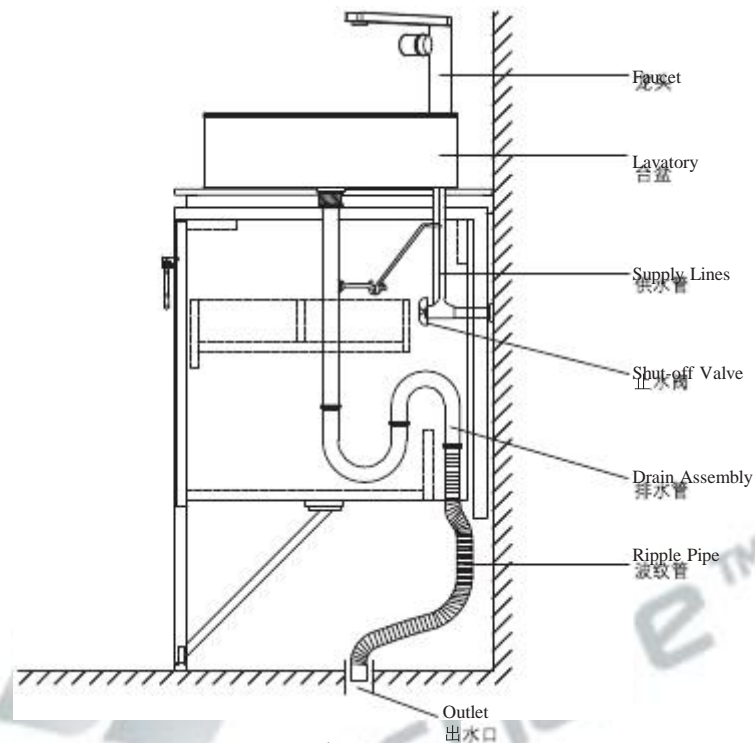


Fig.7
图7

NOTE: For installation of cabinet, please first remove the drawers and reinstall them onto rails after fixing the drainage (see Fig.8).

注意：柜体安装排水时，可以将抽屉取下，装好排水后再将抽屉装在轨道上（见图8）。

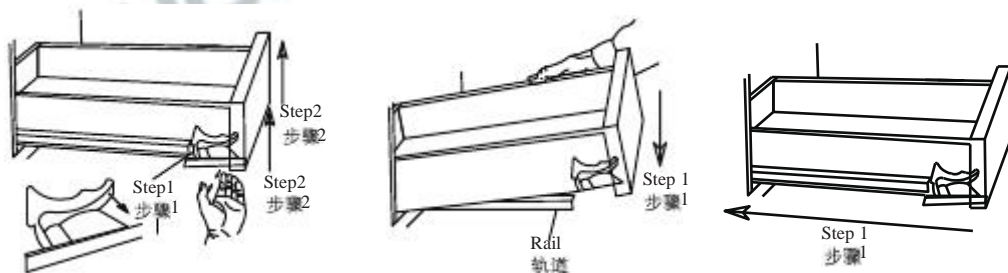


Fig.8
图8

5. Run water into the washbasin or vanity top, and check the drain connections for any leaks.
6. Adjust all hinges of door in three-way as illustrated in Fig 9, and make sure that the door is level and neat. Clearance between doors is even, and that between doors and cabinet is tight.
7. Place the hinge cover and plastic cover.

5. 打开龙头放水入脸盆，检查排水管道接头处是否有渗漏。
6. 外观微调：如图9所示三向调节所有的门板的铰链，使门板水平整齐。门板与门板间缝隙均匀、门板与柜体间严丝合缝。
7. 装上门铰盖，盖上塑料孔盖。

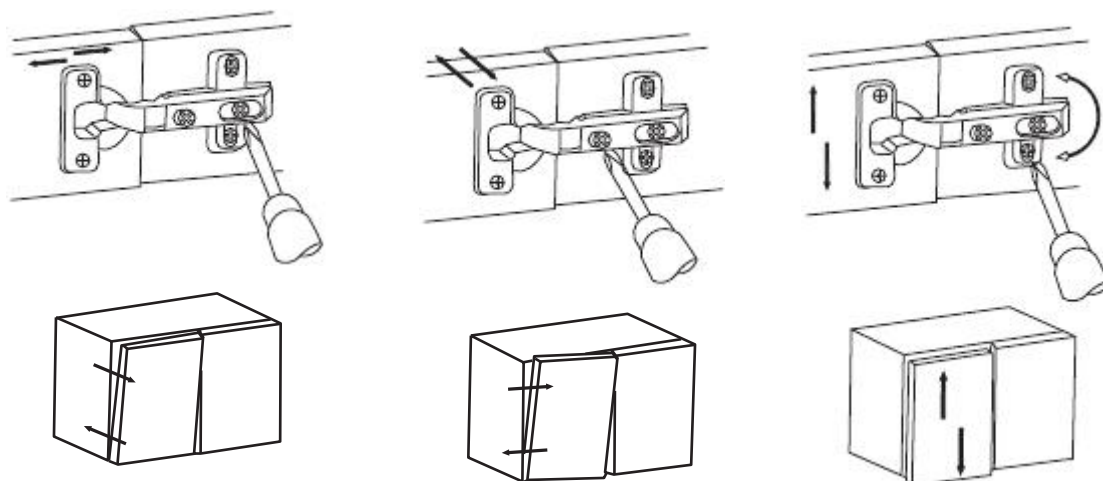


图9

日常维护



WARNING! Risk of product damage.

1. Many cleansers contain abrasive and chemical substance which is not suitable for cleaning stainless steel, enamel, plating or plastic products. You may use mild cleansers or soaps to clean the surfaces. Wipe any splashes of cleaner solutions from the surface with clean soft cloth.
2. Maintain ventilation in the bathroom, and separate the dry area from the damp one if conditions permit. Try to open the door and windows of the bathroom and maintain good ventilation.
3. Kohler bathroom cabinet are dealt with strict procedures for damp-proof, whose good damp-proof function ensures good performance even in bathroom of huge humidity. Yet do not splash and pour water directly on the bathroom cabinet. Make sure that the bathroom is not over damp and wipe any splashes from surfaces immediately.
4. Maintenance of door board: Clean and wipe door board regularly, and wipe the condensation vapor with dry and soft cloth. Keep PVC doors away from fire or high temperature.
5. Avoid scratching the glass surface with sharp-pointed objects.
6. Please do not sit, lean or step on the basin cabinet.
7. If any fixtures caused by abnormal reasons, Kohler China can supply paid replacement for service parts caused by abnormal reasons in the limited duration of warranty.



警告！小心产品受损。

1. 许多清洁剂都含有研磨剂及化学物质，不可用于清洁不锈钢、搪瓷、镀层或塑料制品。这些表面须使用温和的清洁剂或皂液进行清洁，将残余洗涤剂洗干净，然后用干净的软布擦干。
2. 卫生间请保持良好的通风状态，有条件的可以干、湿分离，平常尽量保持浴室空气畅通，养成开窗开门的习惯。
3. 科勒浴柜都经过严格的防潮处理，但防潮并不是防水，使用时不可随意任浴柜被水浇、溅。良好的防潮性能可以保证在高相对湿度时仍有良好使用性，所以请避免卫生间过于潮湿，遇有水迹要及时擦干。
4. 门板的保养：经常用软布定期清洁、擦拭，洗浴后的冷凝水蒸气应用干布擦净，保持门板的干爽。PVC门板切勿接触明火或高温。
5. 避免尖锐物品碰到台面，以免划伤玻璃表面。
6. 日常使用时，请勿坐、倚、靠、踩踏在脸盆柜上。
7. 科勒公司确保在担保期内，可以提供因非正常原因造成的零件的有偿更换。