

# KOHLER®

65-1/2" x 35-1/2" oval freestanding BubbleMassage™ air bath

Sunstruck®

K-1967-G

## Features

- 118 to 122 airjets release thousands of bubbles that surround, support, and massage the body.
- Variable-speed blower lets you adjust massage intensity to 18 levels.
- Freestanding design creates a striking focal point in your bathing area.
- 16" (406 mm) depth offers a deep soaking experience.
- Integral lumbar support.
- Textured bottom surface.
- Wide ledge on one side is ideal for deck-mount faucet and/or handshower.
- Automatic and manual purge cycles remove residual water from air channels after use.
- Center drain.

## Material

- Acrylic.

## Hydrotherapy

- BubbleMassage™.

## Installation

- Freestanding.
- PureFlo drains are not recommended for a deck-mount faucet installation.

## Recommended Products/Accessories

- K-7265 Brass toe tap bath drain
- K-37383 Rough-in cable bath drain, PVC, 30" cable with tubing
- K-37386 rough-in cable drain, PVC, 30" cable
- K-24916 Wireless Music Kit
- K-23726 Drain treatment
- K-23732 Tub & shower cleaner



## Codes/Standards

ASME A112.19.7/CSA B45.10  
CSA B45.5/IAPMO Z124  
UL 1795  
CSA C22.2 No. 218.2

## KOHLER® Plastic Baths and Receptors Lifetime Limited Warranty KOHLER® Hydrotherapy Components Five-Year Limited Warranty

See website for detailed warranty information.

## Available Colors/Finishes

*Color tiles intended for reference only.*

### Color Code Description

■ 0 White

1-800-4KOHLER (1-800-456-4537)

Kohler Co. reserves the right to make revisions without notice to product specifications.

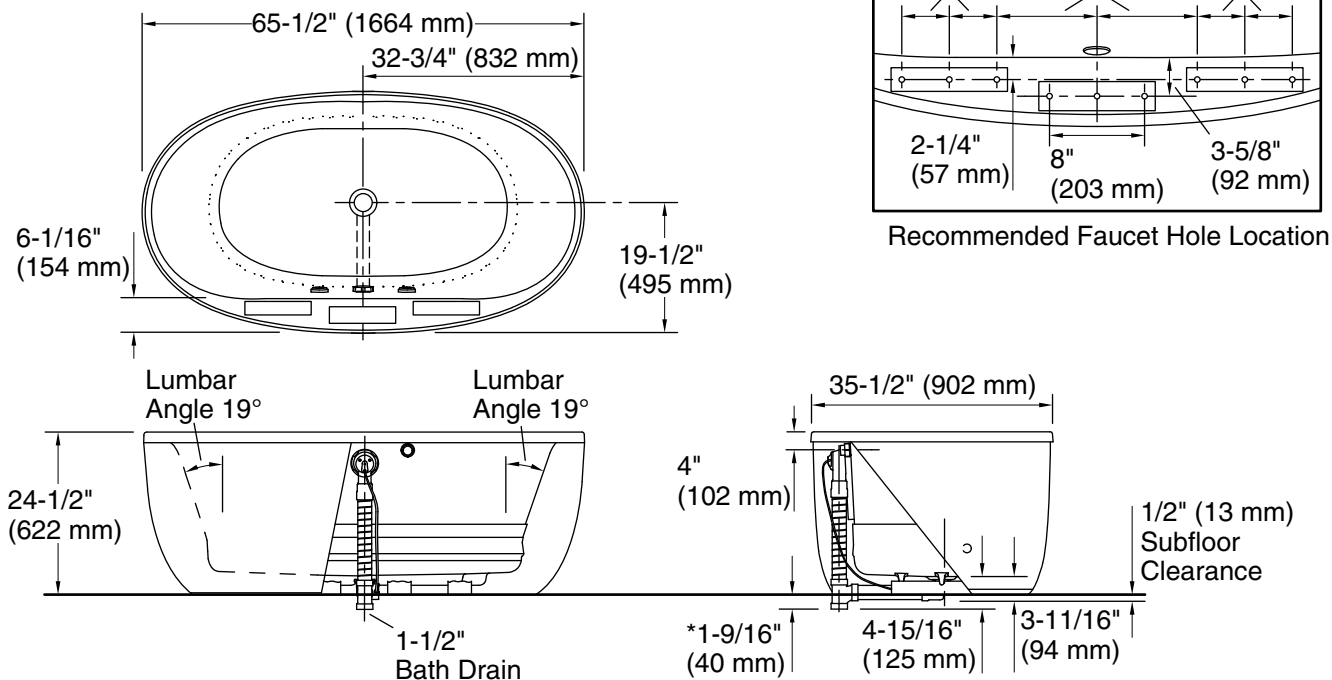
For the most current Specification Sheet, go to [www.kohler.com](http://www.kohler.com).

8-20-2021 04:55 - US//CA/MX

THE BOLD LOOK  
OF **KOHLER®**

No change in measurements if connected with drain illustrated. (K-37383)

 Recommended Faucet Location



\*Allow for appropriate clearance in subfloor for drain tee clearance.  
Note: Horizontal PVC pipe and tee shown, not included.

### Required Electrical Service

One dedicated circuit required, protected with Class A Ground-Fault Circuit-Interrupter (GFCI). Outside North America, this device may be known as a Residual Current Device (RCD).

Blower: 120 V, 15 A, 60 Hz

### Technical Information

All product dimensions are nominal.

Installation: Freestanding

Drain location: Center

Basin area, bottom: 45-3/4" x 24-7/8" (1162 mm x 632 mm)

Basin area, top: 54-7/8" x 29-3/16" (1394 mm x 741 mm)

Weight: 91 lbs (41.3 kg)

Minimum floor load: 40.4 lbs/ft<sup>2</sup> (197.3 kg/m<sup>2</sup>)

Water depth: 16" (406 mm)

Water capacity: 72.6 gal (274.8 L)

Template: Footprint, 1245667, not required, not included

Electrical component rating: Blower: 120 V, 10 A, 60 Hz

### Notes

Measure your actual product for rough-in details.

Install this product according to the installation instructions.

The hot water supply should be 70% of the capacity of the bath or greater. Installations will vary.

Remote blower motor installation is required. Relocation kit is included.

If installing a rim-mount faucet, make sure there is no interference above or below the deck before drilling any holes.