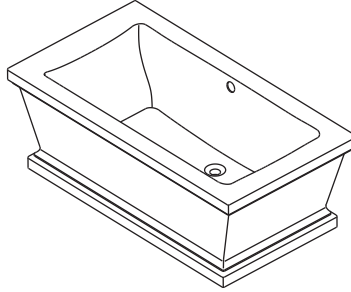


INSTALLATION INSTRUCTIONS



P50040

INSTALLATION INSTRUCTIONS

THANK YOU FOR CHOOSING KALLISTA

We appreciate your commitment to KALLISTA quality products. Please take a moment to review this manual before you install your KALLISTA product. If you encounter any installation or performance problems, please do not hesitate to contact us at the phone number listed at the bottom of the page.

IMPORTANT INFORMATION

- Please read all instructions before you begin.
- Prior to installation, unpack the bathtub and inspect it for damage. If the product is damaged, please contact Kallista immediately at the phone number listed at the bottom of the page. Return the bathtub to the carton until installation.
- Observe all local plumbing and building codes.
- To simplify future maintenance, ensure all plumbing connections around the bath are easily accessible.
- It is strongly recommended that this installation be performed by a professional plumber or contractor.
- A minimum of two people are needed to perform this installation.
- Provide a minimum of 1800 lbs floor support under the bath.
- This bath is designed for a freestanding installation only.
- If possible, install the overflow hood P21580 to the bathtub before installing the bathtub.
- The flip drain P21579 is required for proper installation and should be installed according to the manufacturer's instructions.
- KALLISTA reserves the right to make revisions in the design of products without notice, as specified in the Price Book.

TOOLS



Safety Glasses



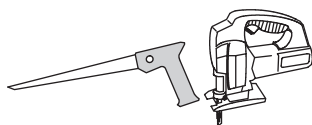
Pencil



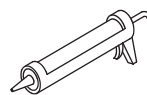
Tape Measure



Drill



Keyhole or Saber Saw



RTV Silicone & Caulk Gun



Rags

INSTALLATION INSTRUCTIONS

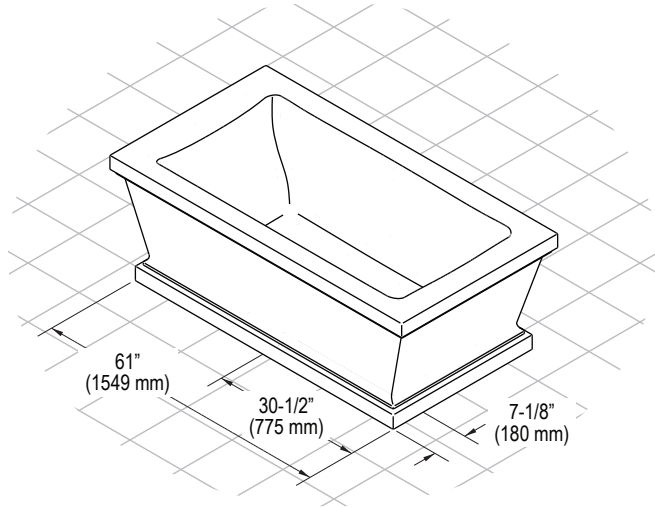
1. PREPARE THE SITE

- Position the bath on the floor in the desired location. Mark the location of the footprint of the bathtub on the floor.

NOTE: It is recommended that you determine the location of the bath faucet at this time as well.

NOTE: When planning the location of the bath faucet, ensure that the stream of water from the spout will not strike the drain coin or flange.

- Mark the center of the drain using the dimensions shown as a guide. Mark the centers of the bath faucet supply lines in the desired location.
- Cut a 3" diameter hole in the floor for the drain. Drill holes for the supply lines in the floor.
- Plumb the waste and supply lines.
- Install the overflow hood (P21580) in the overflow opening according to the manufacturer's instructions.
- Install the flip drain (P21579) tail piece and drain body in the waste plumbing according to the manufacturer's instructions.



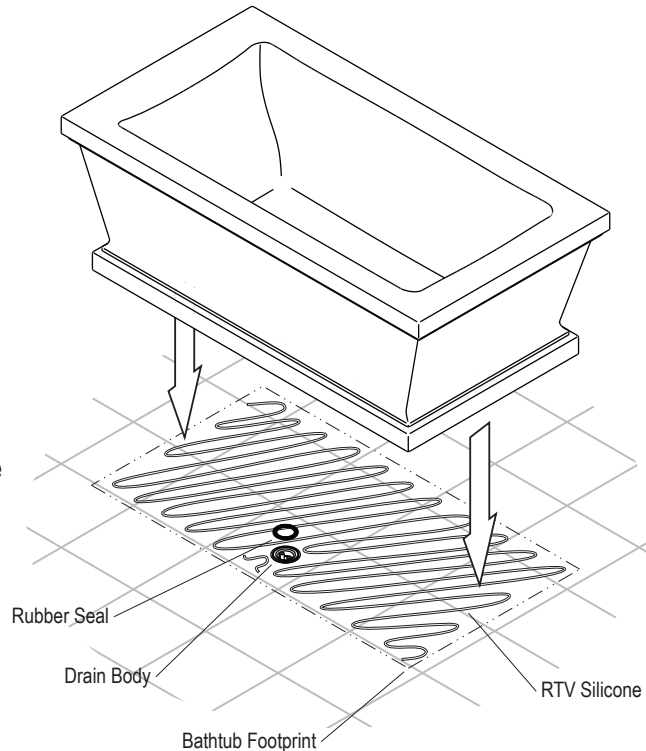
2. TEST FIT THE TUB WITH THE DRAIN

- Install the rubber seal in the top of the drain body with the ribbed surface facing up.
- With the assistance of another installer, lower the bathtub into place. **DO NOT** fasten the tub to the floor at this time.
- Check the fit of the tub with the drain body.
- Remove the tub and carefully set aside.
- Adjust the drain body and/or tail piece as needed.

INSTALLATION INSTRUCTIONS

3. INSTALL THE BATHTUB

- Apply silicone sealant to both sides of the rubber seal. Re-install the rubber seal in the top of the drain body with the ribbed surface facing up.
- Apply RTV Silicone to the finished floor within the marked footprint according to silicone manufacturer's instructions.
- With the assistance of another installer, lower the bathtub into place, making sure the drain hole of the tub lines up with the drain body, and the bathtub is in the desired location.
- Remove excess silicone with a damp cloth.
- Apply a bead of silicone along the perimeter of the bathtub, where it meets the floor.
- Allow the silicone to cure according to manufacturer's instructions. Do not disturb the bathtub until the silicone is completely cured.



4. FINISH THE INSTALLATION

- Complete the drain installation according to the manufacturer's instructions.
- Install the bath faucet to complete the installation. Refer to the faucet manufacturer's installation guide.