

DGC 7860X

Handleless XXL Steam combination oven
for steam cooking, baking, roasting with wireless food probe + menu cooking.



EAN: 4002516137689 / material number: 11103820

- Large touch display with proximity sensor – M Touch + MotionReact
- Perfect results – DualSteam technology
- Crispy outside, succulent inside – combination cooking
- Miele@home – network-enabled WiFi appliance + Mix & Match
- Easy cleaning – PerfectClean stainless steel oven compartment

Model and design	
Combi steam ovens	•
ArtLine	•
Handleless	•
Appliance colour	Obsidian black
Convenience features	
Rapid heat-up	•
External steam generation	•
Oxygen sensor	•
Individual humidity settings in combination cooking	•
Menu cooking without transfer of taste	•
Mix & Match	•
Automatic programmes with programmable settings for cooking results	•
Keeping warm	•
Operating modes	
Defrosting	•
Combination cooking	•
Steam cooking	•
Sous-vide	•
Reheat	•
Grill	•
Economy grill	•
Fan plus	•
Intensive bake	•
Cake plus	•
Conventional heat	•
Top heat	•
Bottom heat	•
Fan grill	•
Special applications	•
User convenience	
Display	M Touch
Touch2Open	•
MultiLingua	•
MyMiele	•
Help function	•
Motorised opening and closing Lift panel	•
Quantity-independent cooking	•
Steam cooking on up to 4 levels at the same time	•
Automatic menu cooking	•
Steam reduction before end of programme	•
Polyphonic buzzers	•
Time of day display	•
Date display	•
Minute minder	•
Actual temperature display	•
Recommended temperature	•
User programmes	20
Individual settings	•

more information:
<http://www.miele.co.uk/domestic>

For further information please see next page...

DGC 7860X

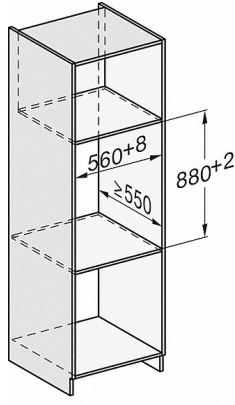
Handleless XXL Steam combination oven
for steam cooking, baking, roasting with wireless food probe + menu cooking.



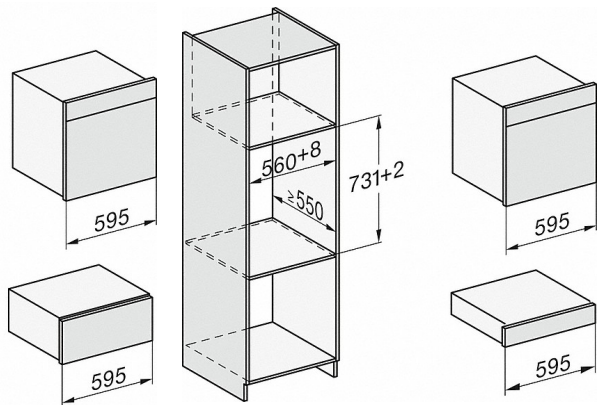
Efficiency and sustainability	
Power rating in off mode in W	0.5
Cleaning convenience	
Stainless-steel oven compartment with linen-weave pattern PerfectClean finish	•
External steam generator	•
Floor heater for condensate reduction	•
Soak programme	•
Rinse programme	•
Oven compartment drying programme	•
Quick-release side racks	•
Automatic descaling	•
CleanGlass door	•
Steam technology and water supply	
DualSteam	•
Fresh water container volume in l	1.4
Removable fresh water container behind lift-up control panel	•
Removable condensate container behind lift-up control panel	•
Drain filter	•
Safety	
Appliance cooling system and touch-cool fronts	•
Safety switch-off	•
System lock	•
Vapour cooling system	•
Technical data	
Oven compartment volume in l	68
No. of shelf levels	4
Numbered shelf levels	•
Door hinge	Bottom
Niche depth in mm	555
Appliance width in mm	595
Appliance height in mm	596
Weight in kg	46.0
Total rated load in kW	3.5
Voltage in V	230
Number of phases	1
Fuse rating in A	16
Standard accessories	
Perforated stainless steel cooking container	2
Solid stainless steel cooking containers	1

DGC 7860X

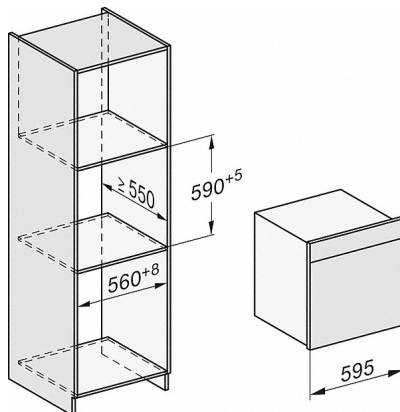
Handleless XXL Steam combination oven
for steam cooking, baking, roasting with wireless food probe + menu cooking.



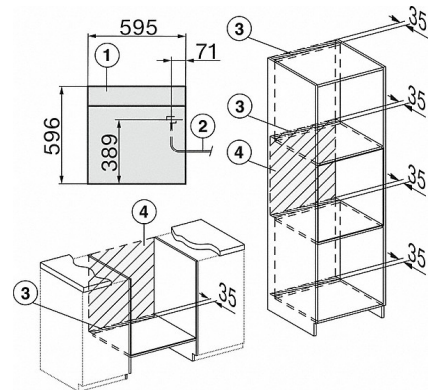
ESW7x20, installation drawings



ESW7x10, EVS 7010 installation drawings

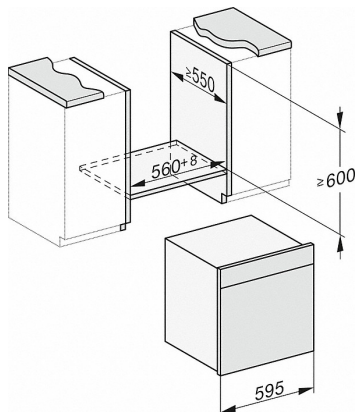


DGC7x6x, DGC7x6xX installation drawings

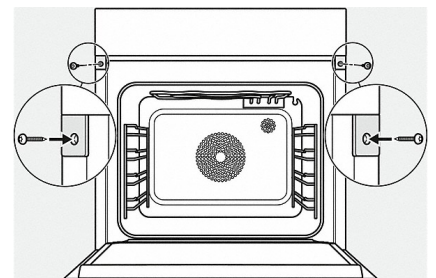


DGC7x60, DGC7x60X installation drawings

- 1) Front view
- 2) Mains connection cable, L=2.000 mm
- 3) Ventilation cut min. 180 cm²
- 4) No connection in this area



DGC7x6x, DGC7x6xX installation drawings



DGC7x6x, DGC7x6xX installation drawings