

DA 2628

Insert ventilation hood
with energy-efficient LED lighting and backlit controls for easy use.



- Customized kitchen design - fully integrated in 46 1/2 (1,180)Inch width
- Unique user convenience – Con@ctivity
- Energy-efficient and quiet
- Elegant and efficient - edge vented panel

EAN: 4002516024439 / material number: 10876800

Construction type	
Insert ventilation hood	•
Design	
Color	Stainless steel
Edge extraction	•
Operating modes	
Recirculated mode	air extraction
Control panel	
Electronic controls	•
Light-touch controls	•
Power levels (number excl. Intensive)	3
Intensive setting	•
Programmable 'Intensive' switch-off	•
Delayed shutdown for 5 or 15 minutes	•
Programmable grease filter saturation indicator	•
Cleaning convenience	
Easy-to-clean CleanCover hood liner	•
Efficiency and sustainability	
Eco package	•
Networking of domestic appliances	
Miele@home	•
WiFiConn@ct	•
Automatic function Con@ctivity 2.0 (Zigbee)	•
Filter system	
Number of dishwasher-safe stainless steel grease filters	4
Lighting	
LED ClearView lighting	•
Light intensity in Lx	700
Color temperature in K	3,500
Light dimmer function	•
Blower	
Dual-action blower	•
DC motor	•
Air throughput with max. duct diameter in vented mode (not for external version)	
Air throughput	Values upon request
Safety	
Safety shut-off	•
Technical data	
Canopy width in in.(mm)	46 1/2 (1,180)
Height of hood canopy in in.(mm)	2 5/8 (64)
Depth of hood canopy in in.(mm)	11 5/8 (293)
Minimum distance above electric cooktops in in.(mm)	24 1/8 (610)
Minimum height above gas cooktop (max. 12.6 kW total power, burner 4.5 kW) in mm	26 (660)
Net weight in lbs. (kg)	34 (15.0)
Length of electrical wire in ft (m)	4 (1.5)
Standard plug fitted	•
Total connected load in kW	0.36
Voltage in V	120
Fuse rating in A	15
Number of phases	1

More information at www.MieleUSA.com

For further information please see next page...

DA 2628

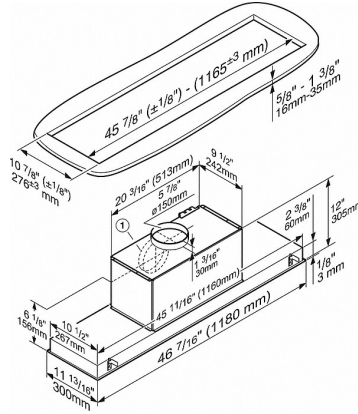
Insert ventilation hood
with energy-efficient LED lighting and backlit controls for easy use.



Installation notes	
Vent connection at top	•
Vent connection at top and rear	•
Diameter of vent connection in in.(mm)	6 (150)
Standard accessories	
Non-return flap	•
Wireless stick Con@ctivity 2.0 for KM	XKS 3000 Z

DA 2628

Insert ventilation hood
with energy-efficient LED lighting and backlit controls for easy use.



DA 2628, stainless steel - Integrated cooker hood
(Installation drawing) - USA

1) Vent connection alternatively to rear