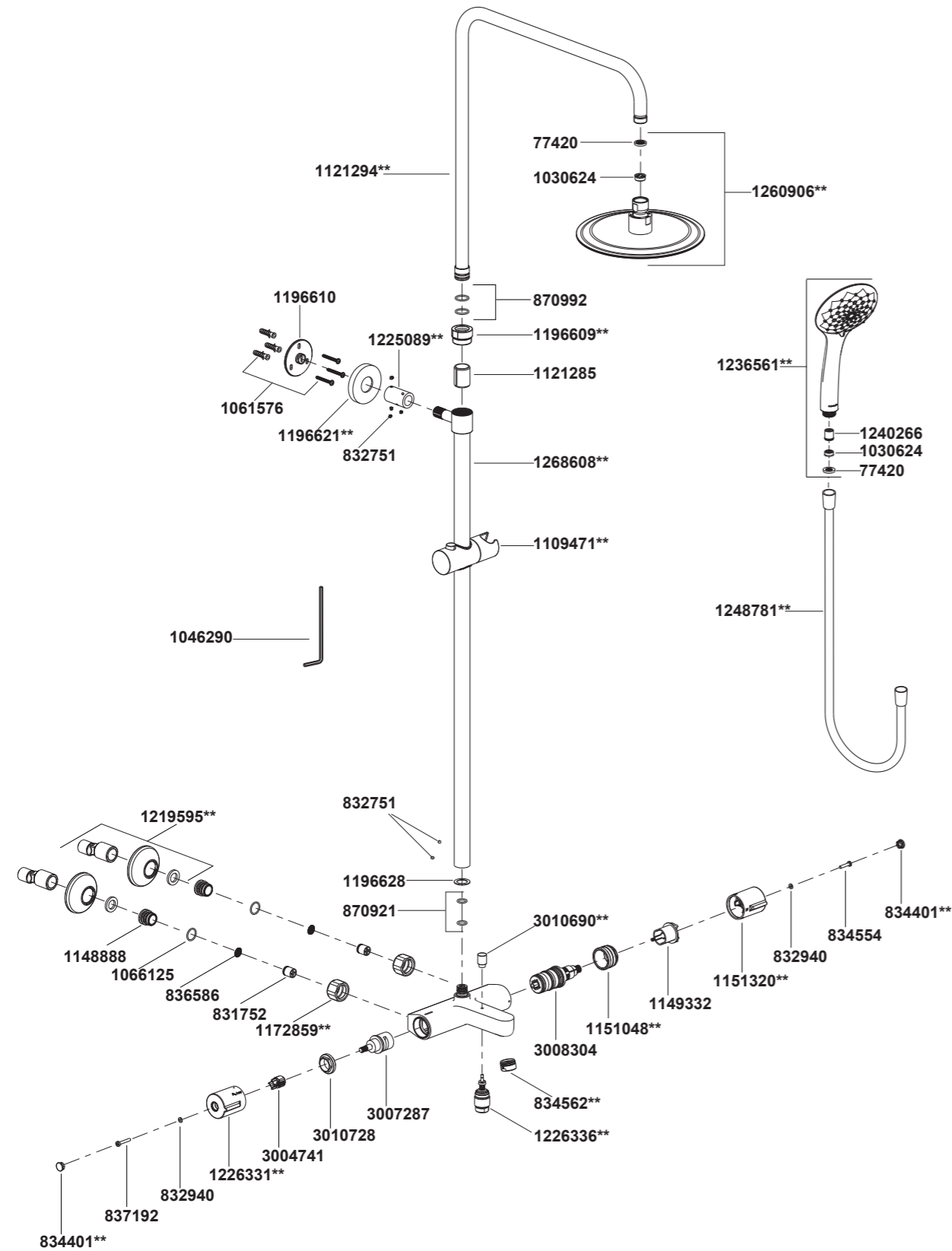


## 99741T-C9 Thermostatic 3 Way Shower Column



\*\*Color code must be specified when ordering

## 99741T-C9 Thermostatic 3 Way Shower Column

### BEFORE YOU BEGIN

All information is based on the latest product information available at the time of publication. Kohler Co. reserves the right to make changes in product characteristics, packaging, or availability at any time without notice. Please leave these instructions for the consumer. They contain important information.

### OPERATION CONDITION

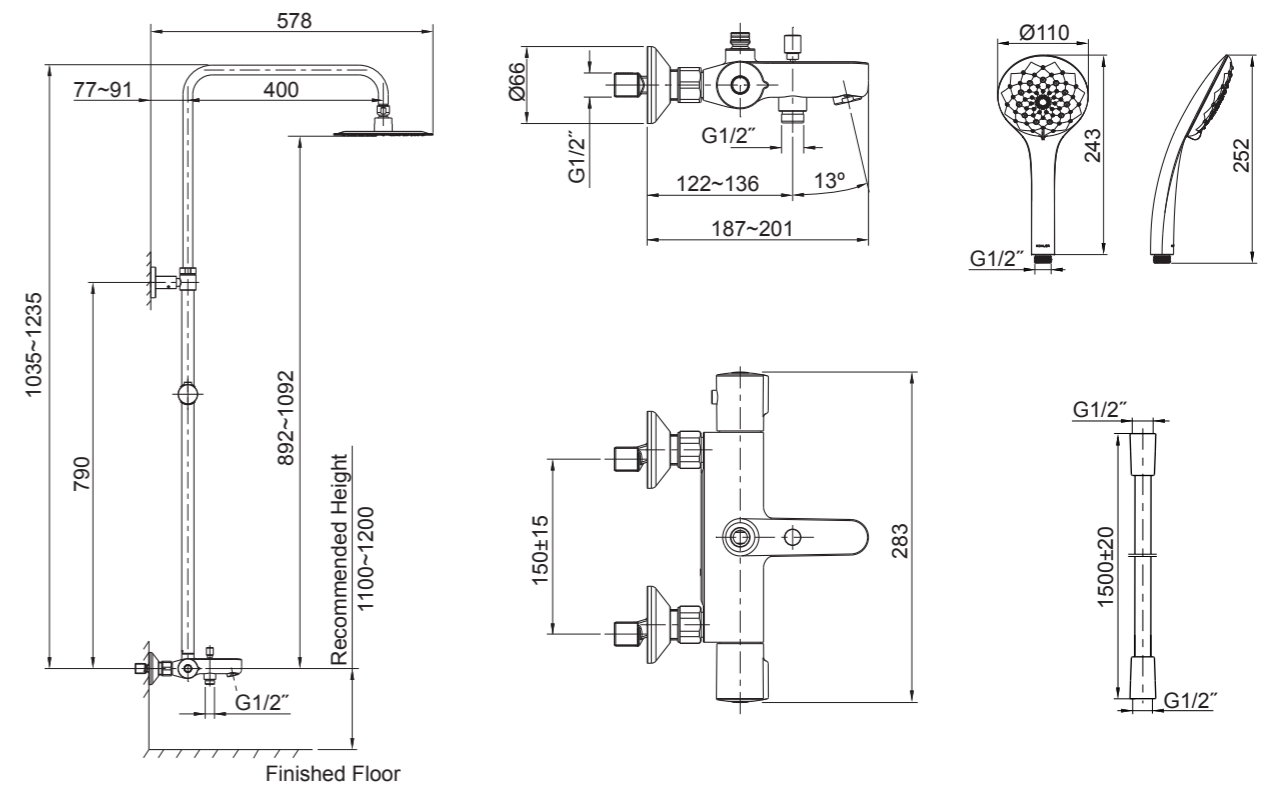
1. Minimum supply pressures: 0.05MPa(0.5bar).
2. Recommended supply static pressures: 0.3MPa(3bar) on hot and cold water.
3. Supply pressure greater than 0.5MPa(5bar): install a pressure reducer.
4. Hot water temperatures, minimum: 50°C, maximum:80°C.
5. Recommended hot water temperature: 65°C (energy-saving).
6. Setting range, approximately: 20°C to 50°C.
7. Safety stop at: 40°C.
8. Maximum mixed water temperature: 50°C.
9. The highest environment temperature for handshower & showerhead is 60°C. Please keep handshower, showerhead and the shower arm from heater, or it may become damaged and cause injury to the user.

### OPERATION INSTRUCTIONS

Water flow is set by turning the left-hand handle. Turn the left-handle clockwise, water will flow from the showerhead; turn it counter-clockwise, the handshower or spout will work. Water flows out from spout when faucet diverter is in the normal position and it's diverted to handshower when the diverter knob is lifted.

The temperature is set by slowly turning the temperature selector(right-hand handle). For safety reasons, there is a stop that limits temperature to 40°C. To get a higher temperature, push the button and continue turning the temperature selector.

### ROUGH-IN DIMENSIONS



## INSTALLATION

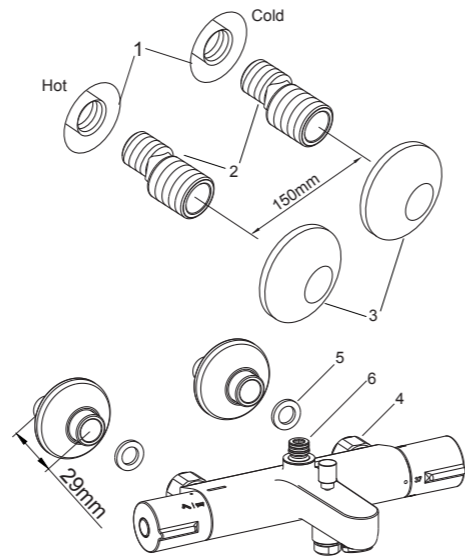
### How to Install the Faucet

To perform installation, installer must provide G1/2" female supply fittings(1), spaced 150mm apart, horizontal and vertical to the finished wall. Flush the water supply pipes thoroughly to remove debris.

Apply enough tape or suitable sealant on threads of offset connectors(2). Install the two offset connectors into the hot and cold supply pipes. Adjust the center-to-center distance between the connectors to 150mm and horizontal. They should extend 29mm beyond the finished wall.

Thread the escutcheons(3) onto the connectors until they are against the finished wall.

Put washers(5) into supply nuts(4) of the faucet. Keeping the faucet outlet(6) upwards, thread the faucet supply nuts onto the connectors and tighten.



### How to Install the Shower Column

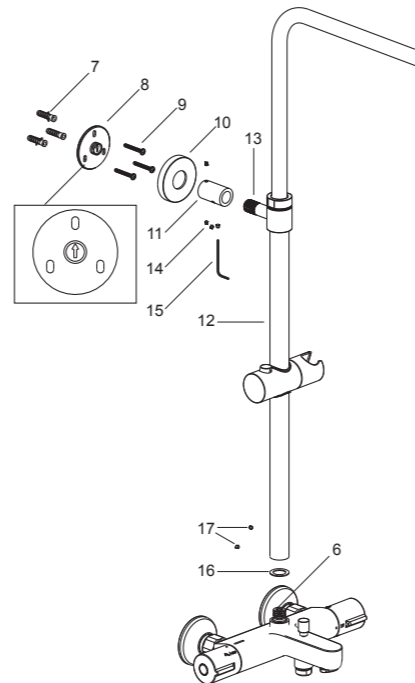
Rehearse the shower column kit(12) installation for the base(8) mounting location determination. Connect the tube joint(11) and the base(**Note:** The arrow in the base is up), tighten them with screw(14). Set the other end of the tube joint on the supporter(13) of shower column.

Put the washer(16) onto faucet outlet(6). Connect the faucet outlet and shower column. Place the column kit upright and parallel to the finished wall. Mark the hole of base with a pencil. Uninstall the shower column kit and tube joint.(**Note:** Don't lose the screws.)

Drill hole in the finished wall according to the diameter of the anchor(7) and the position of mounting base. Insert the anchor into the hole. Secure the mounting base by self-tapping screw(9). (**Note:** The arrow in the base is upward).

Ensure the washer(16) on faucet outlet. Install the tube joint and escutcheon(10) onto the supporter of shower column. Connect the shower column kit and faucet. Slide the tube joint onto the base, tighten with hex wrench(15) and screw. Screw the escutcheon until it against wall. Make sure the outlet of shower column faces the front, and the shower column is parallel to the finished wall. Connect the supporter and tube joint with screw, tighten them by hex wrench.

Tighten the screw(17) with hex wrench.

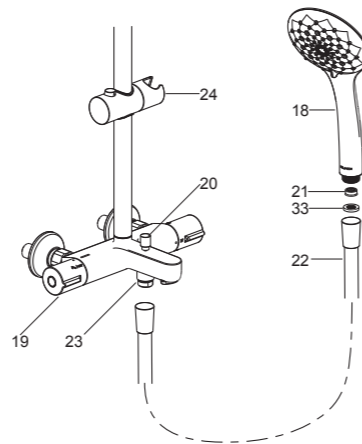


### How to Install the Handshower

Ensure that the diverter handle(19) and faucet diverter(20) are in the position for handshower. Flush hot and cold water supplies to remove any debris before the handshower(18) is installed.

Put the restrictor(21) into the handshower inlet if needed. Put the screen washer(33) into the shower hose(22) connector. Connect the connector(23) and handshower with hose. Tighten all the connectors.

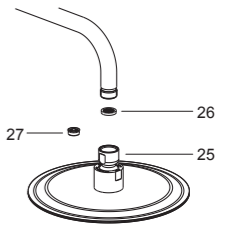
Hang the handshower on the shower bracket(24).



### How to Install the Showerhead

Turn the diverter handle(20), run hot and cold water for one minute to remove any debris before the showerhead(25) is installed.

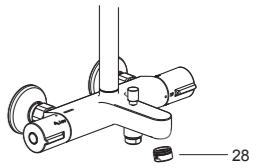
Take out the washer(26) and install the restrictor(27) into the showerhead if needed, reinstall the washer. Tighten the showerhead onto the tube kit outlet with strap wrench.



### INSTALLATION CHECKOUT

Ensure that all connections are tight. Ensure that the handle is in the off position. Turn on the drain and main water supply, and check for leaks. Repair as needed.

Remove the aerator(28). Run hot and cold water through the faucet for about one minute to remove any debris. Check for leaks. Shut off the faucet, and reinstall the aerator.



### CLEANING INSTRUCTIONS

All Finishes: Clean the finish with mild soap and warm water. Wipe entire surface completely dry with clean soft cloth. Many cleaners may contain chemicals, such as ammonia, chlorine, toilet cleaner etc. which could adversely affect the finish and are not recommended for cleaning.

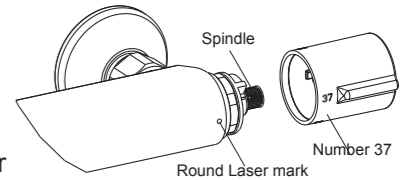
Do not use abrasive cleaners or solvents on Kohler faucets and fittings.

### OPERATION INSTRUCTIONS

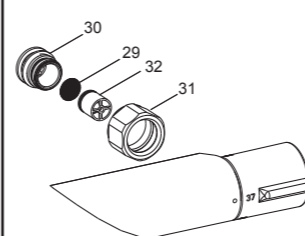
#### Verification and Setting

Make sure that the water feeds of the faucet have reach their highest temperature by letting the water run sufficiently. With the selector in position 37°C, the temperature of the water coming out of the faucet must be within a range of 36°C and 38°C, as measured by a thermometer. If this is not the case, the installer can adjust the setting.

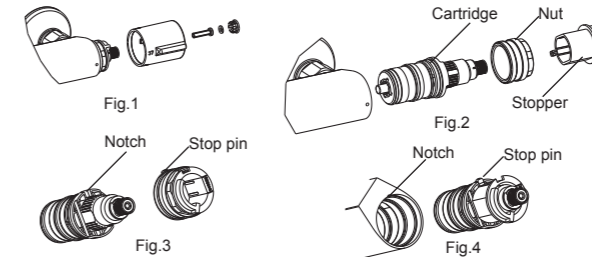
Proceed with the setting as follows: Remove the handle plug. Uninstall the screw with the screwdriver, remove the handle kit. With the faucet on 'cold' normal water flow, slowly turn the temperature selector(always in the same direction) until water at 37°C is obtained. If the temperature goes over 38°C, go back to the 'cold' setting and set again. When the temperature is stabilized, without turning the cartridge spindle, make sure the reference mark of the temperature handle aligned with the number 37. Tighten the screw, put on the handle plug as shown.



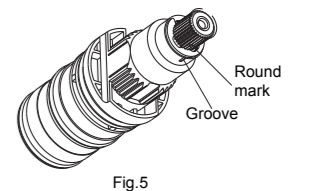
### CARE AND MAINTENANCE



The filters(29) protecting the faucet device may get obstructed and reduce water flow. When this happens, unscrew the bushes(30, left thread) by a wrench(12mm) and take out the nuts(31), filters(29) and the check valves(32) after removing the faucet. Clean the filters by soaking them in warm vinegar. Reinstall them as the figure. (**NOTE:** Check valves should reinstall as original orientation).



Very hard water can obstruct the filters on the thermostatic cartridge and reduce the flow of water. Please clean the cartridge as follows: Shut off the water supply of the faucet and open the water flow handle, then proceed to remove the cartridge. The cartridge is sense organ, please be careful. Mark sure the reference mark is aligned with number 37 before your action. Remove the handle kit(Fig.1), unscrew the nut and stopper(Fig.2). Removing the cartridge cautiously(Fig.2). Clean the thermostatic cartridge by soaking it in warm vinegar. After cleaning, install the 'stop assembly' back on the cartridge, adjusting the stop pin into the notch(Fig.3). Install the assembly cartridge and stop in the body, adjusting the stop pin into the notch(Fig.4).



**NOTE:** Do not turn the cartridge when reinstall it. If you turned it without carefully, you should adjust it and be sure that the round mark is correctly in line with the groove (Fig.5), or readjust as per the steps of verification and setting.

Install the temperature selector (without turning the spindle) lining the number 37 with the reference mark(Fig.1). Tighten the handle with the screw. Put on the handle plug.