



## BEFORE YOU BEGIN


## 安装之前

- Please read these instructions carefully to familiarize yourself with the required tools, materials, and installation sequences. Follow the sections that pertain to your particular installation. This will help you avoid costly mistakes. In addition to proper installation, read all operating and safety instructions.
  - All information in these instructions is based upon the latest product information available at the time of publication. Kohler China reserves the right to make changes in product characteristics, packaging, or availability at any time without notice.
  - These instructions contain important care, cleaning, and warranty information-**please leave instructions for the consumer.**
  - Before installation carefully inspect the new fixture for any signs of damage.
- 请仔细阅读本指引，以便熟悉所需工具、物料及安装程序。请遵照适用的章节来安装本产品，以免安装失当导致不必要的损失。除了有关正确的安装方法之外，还务请详阅所有操作及安全指引。
  - 本指引所载之一切资料，均以印刷时所有之最新产品情况为基础，科勒中国保留权利随时更改产品特性、包装或供应情况，恕不另行通知。
  - 本指引也包含了有关保养、清洁及担保等重要资料-请交予用户保存。
  - 安装之前，仔细检查产品是否有损伤。

 **WARNING: Risk of injury or product damage.** Be careful when opening the door to avoid pinching fingers.

 **警告：**可能有人员伤害或者产品损坏的危险。为防止门左右移动时夹到手指，请注意推门的位置。

 **WARNING:** Don't use acidic or alkalic cleaners or alcohol to clean the surface. Use a dampened cloth to clean.

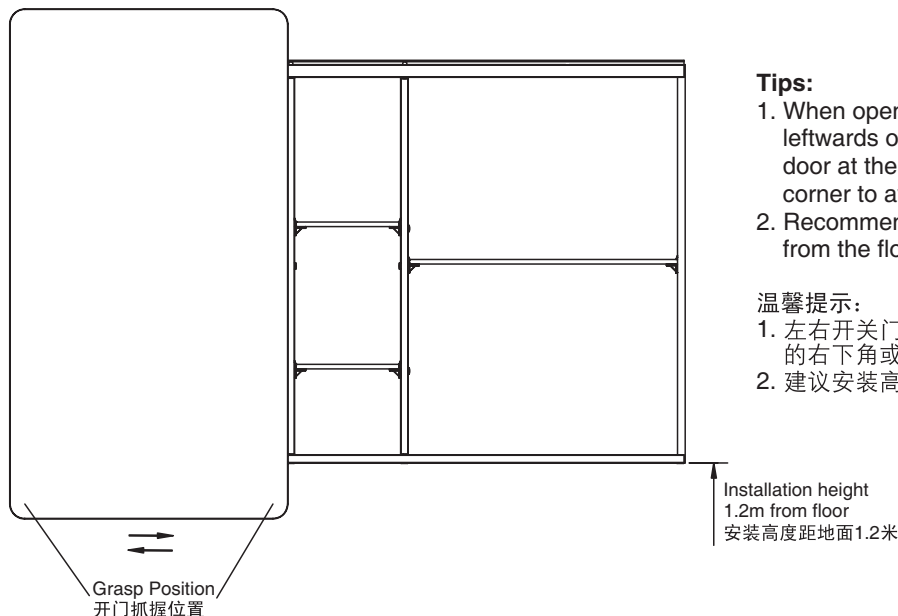
 **警告：**表面不能用含酸或碱性的清洁剂以及酒精清洁，请用潮布清洁。

## PARTS

## 配件

Parts supplied with your cabinet. (For cabinet body and door replacement, call customer service with model number.) Be sure to check the cardboard supports in the carton, glass parts are packed in them.

浴柜附有零件（柜身及门的补换请致电客服部门并告知型号），请仔细检查包装箱。



### Tips:

1. When opening or closing the door leftwards or rightwards, please grasp the door at the lower right corner or lower left corner to avoid pinching fingers.
2. Recommended installation height: 1.2m from the floor.

### 温馨提示:

1. 左右开关门时，手正确的抓握位置是门体的右下角或左下角，可防止夹到手指。
2. 建议安装高度：柜体底边距地面1.2米。

中山科勒卫浴有限公司  
广东省中山市中山火炬开发区兴业路13-1号 邮编：528437

## ACCESSORIES LIST

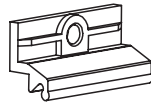
## 附件清单



Glass Shelves  
玻璃层板L=137mm  
X2



Wall Anchors  
入墙胶粒  
X5



Top Clips  
顶扣  
X2



Caps of Screw  
螺钉盖  
X8



Screws ST3.5 x 35  
盘头自攻螺钉ST3.5 x 35  
X5



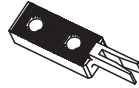
Wheel Cover  
滑轮盖  
X4



Glass Shelf with Hole  
带孔玻璃层板 L-354mm  
X1



Glass Shelf with Hole  
玻璃层板 L-354mm  
X1



Hinder  
缓冲器  
X2



1124095  
Snap-in Pins  
嵌入式层板架  
X18



1169355  
Cup  
圆杯  
X1



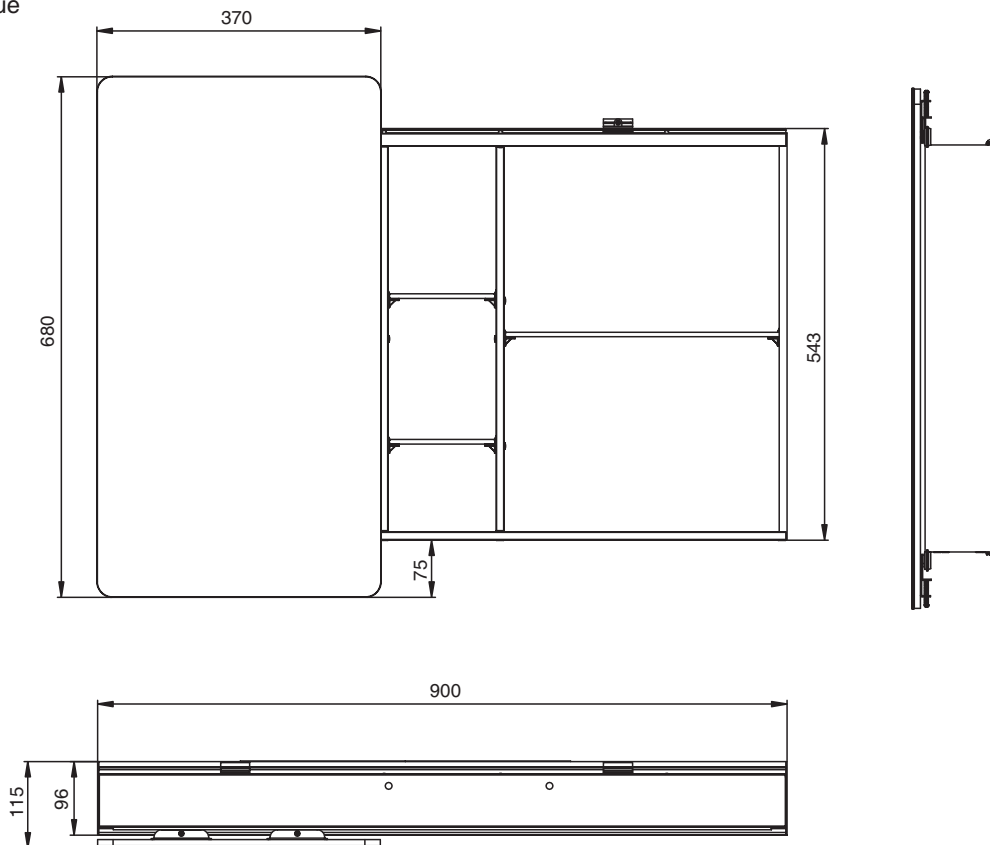
1170223  
Base Cup Shelf  
杯座  
X1

## ROUGHING-IN

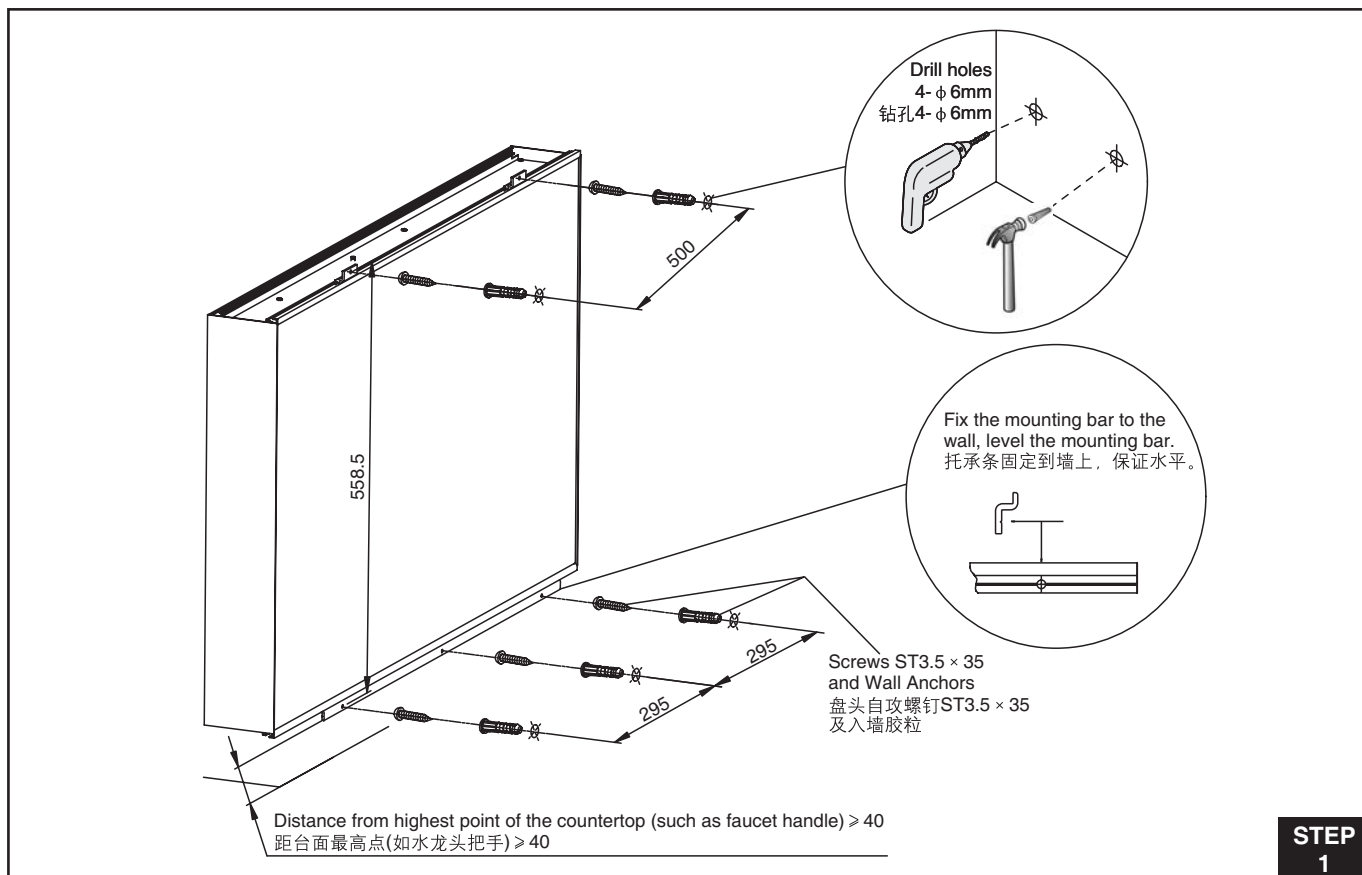
## 尺寸图

Reference Value  
参考值

UNIT : mm  
单位: 毫米



科勒公司保留随时变更图中标示尺寸的权利，无需另行通知。  
Kohler reserves the right to change marked dimensions without prior notice.

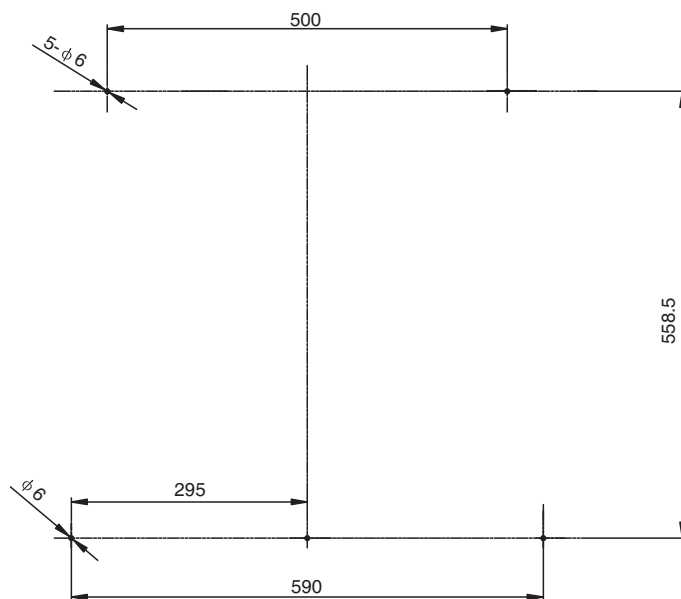


1. Drill installation holes:

Drill five  $\phi$  6 holes of the following dimensions. Make sure holes in the same row are at the same level.

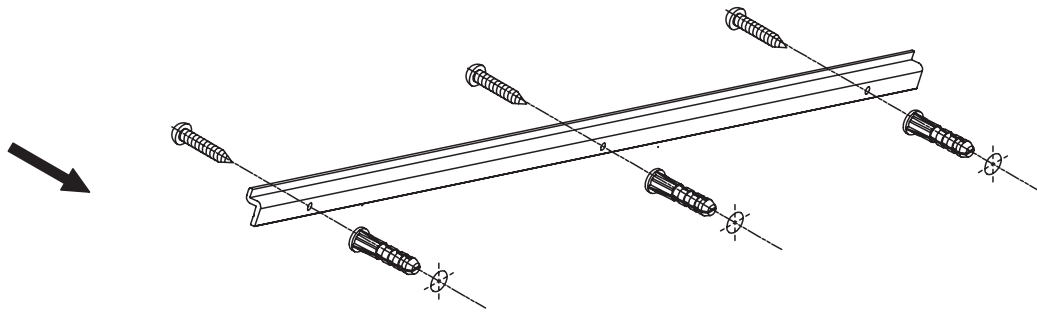
1. 钻孔安装

在墙上钻5个  $\phi$  6孔, 尺寸如下图所示。注意同一排孔保持水平。



2. Install the mounting bar

2. 安装托条



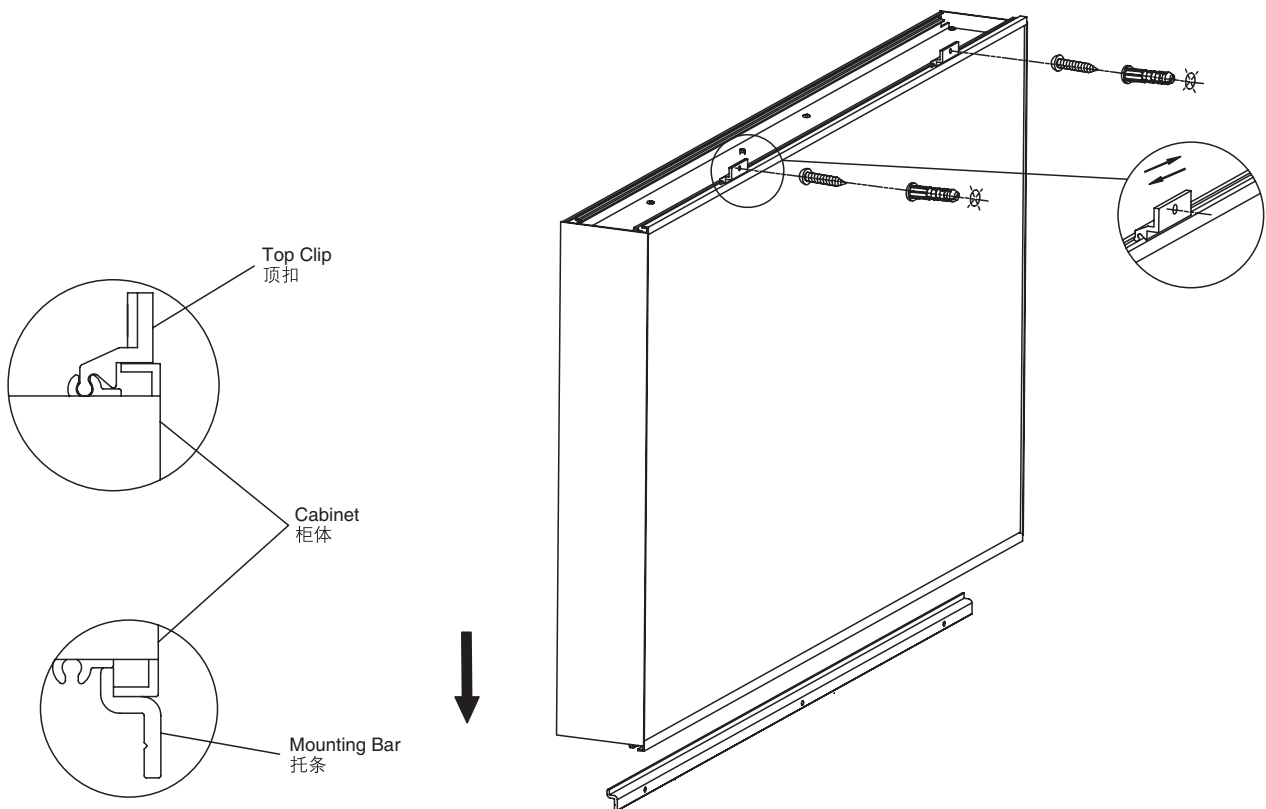
STEP  
3

3. Fixing the cabinet

- a. Put the cabinet on the mounting bar.
- b. Slide top clips to align with the holes drilled in the previous step. Fix with screws.

3. 固定柜体

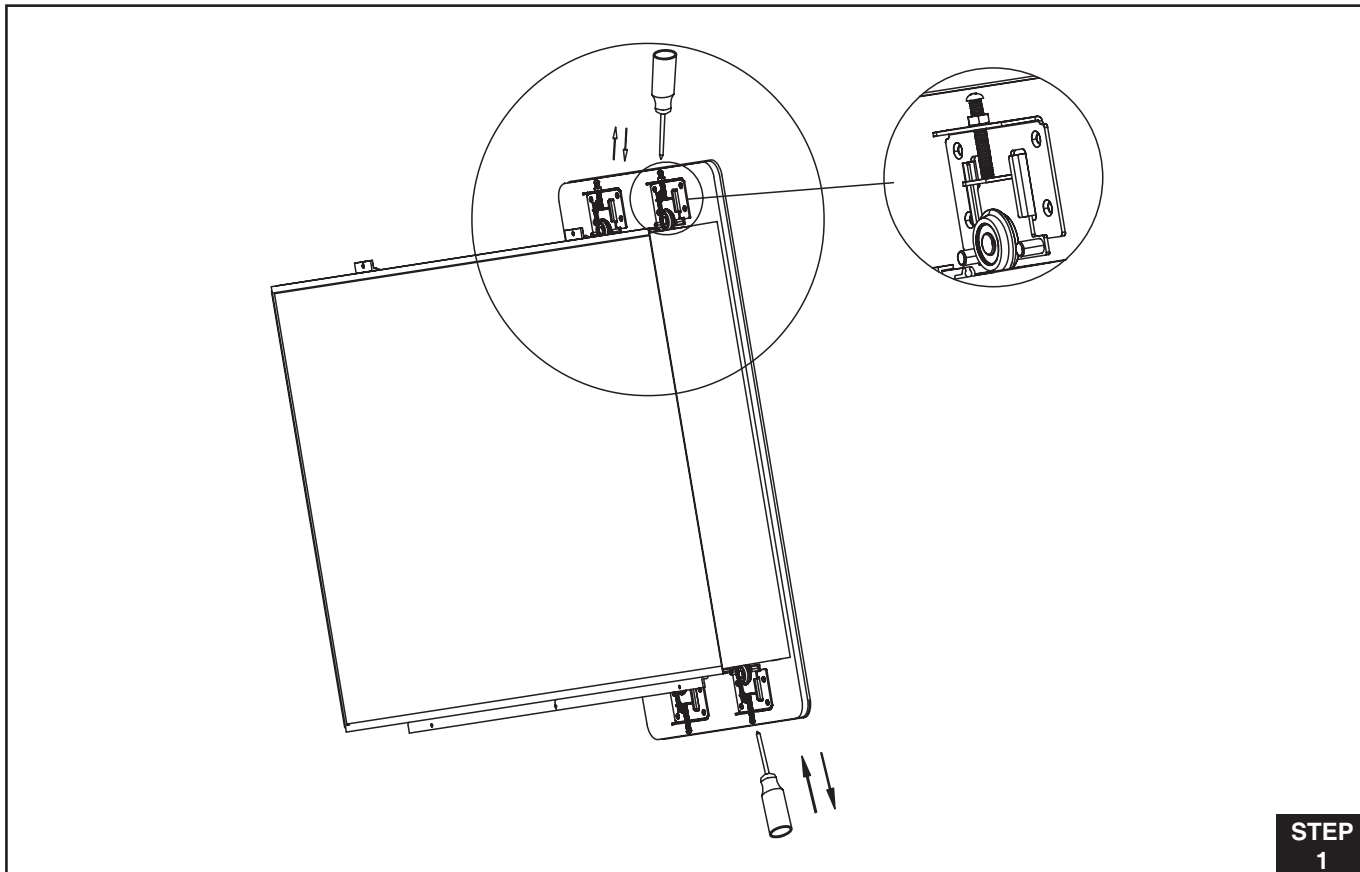
- a. 将柜体放在托条上。
- b. 滑动顶扣，对准上一步骤的钻孔后，用螺钉固定。



STEP  
4

## Installation of Slide Door Assy.

## 滑动门体的安装

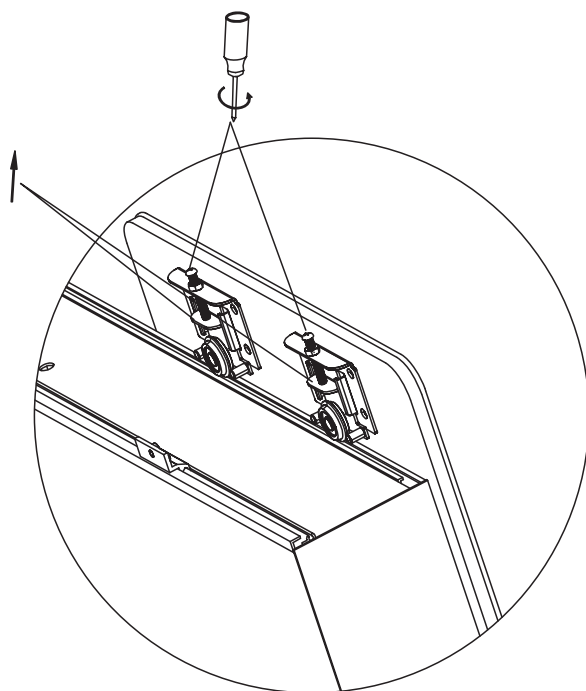


1. a. Loosen the screws of the top and bottom wheels with screw driver.  
b. Lift each wheel and put into the rail slot.

**Note:** Make sure each wheel is properly put into the rail slot.

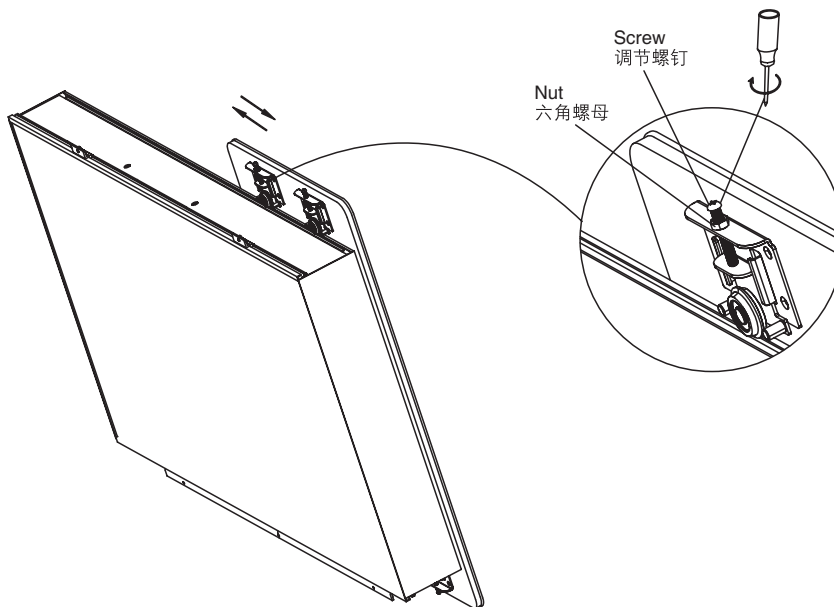
1. a. 用螺丝刀拧松上下两排滑轮的调节螺钉。  
b. 分别将每个滑轮提起放入柜体的导轨槽内。

注：确保每个滑轮都放入导轨槽内。



- 2.
- Tighten the screws of the top and bottom wheels with screw driver. The wheels must be pressed tight onto the rail slot.
  - Slide the door leftwards and rightwards. When the door is firmly fixed onto the cabinet and slides smoothly, please tighten the nut of the screw.
  - If the door is not straight, please adjust by tightening or loosening the adjustable screws to align the door with the cabinet side frame.

- 2.
- 用螺丝刀将上下两排滑轮上的调节螺钉拧紧，滑轮压紧在导轨槽上。
  - 将门体左右移动，当觉得门体固定在柜体上，又移动顺滑时，就将调节螺钉上的六角螺母锁紧。
  - 如发现门体有倾斜时，请以柜体侧边框为参照基准，通过拧紧或拧松调节螺钉来校正。



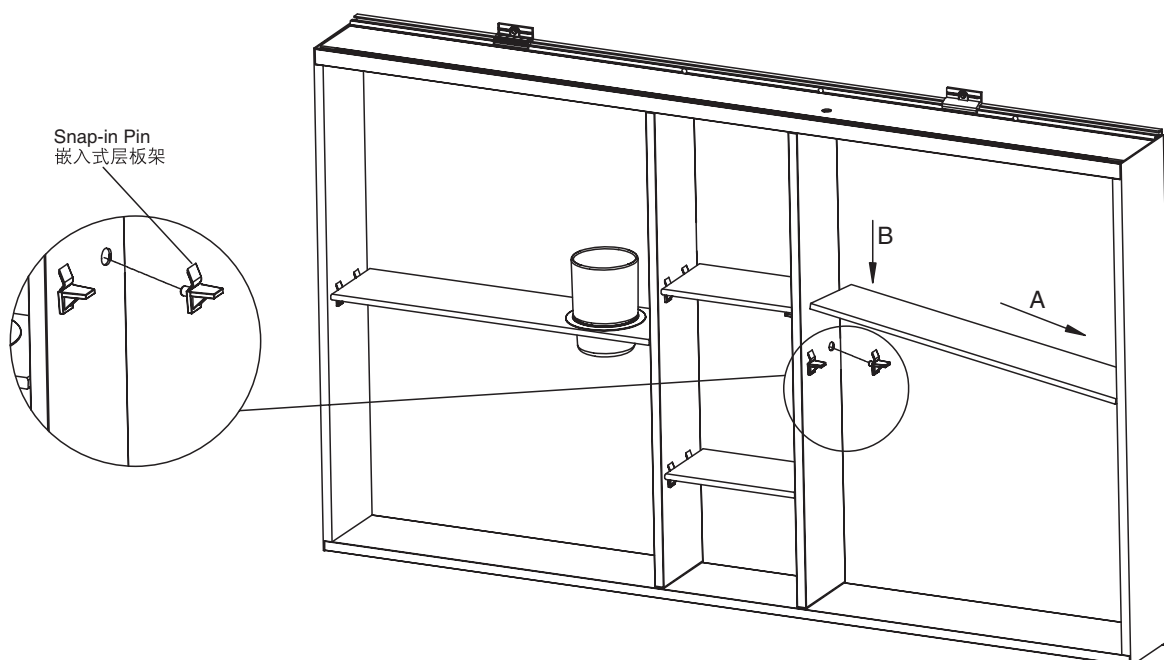
**STEP**  
**3**

## Installation of Service Parts

## 配件安装

- Press the snap-in pins into the holes on the vertical frames.
- Press down the glass shelf tight onto the snap-in pins.
- Put the cup on the glass shelf with holes.

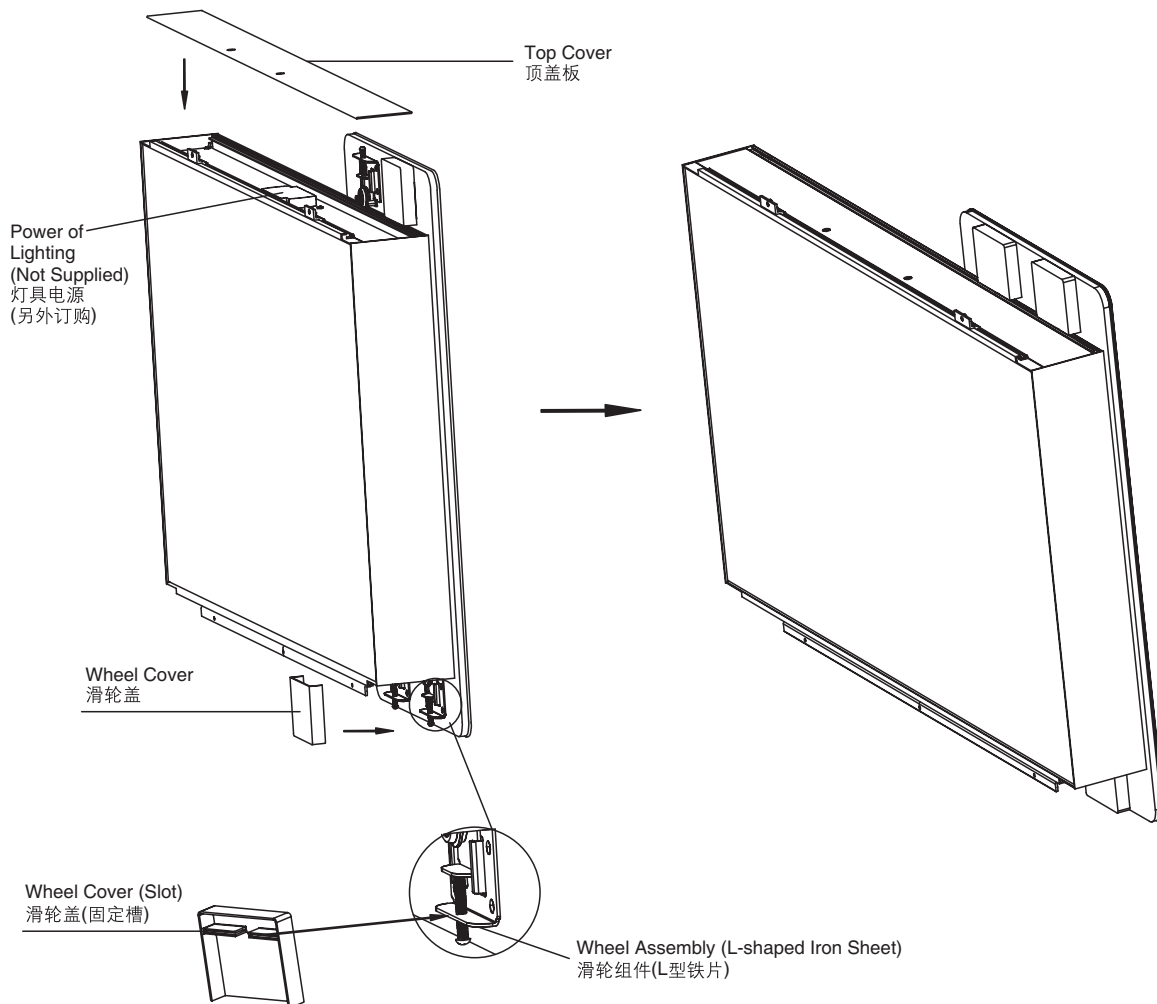
- 嵌入式层板架压入竖框孔中。
- 玻璃层板往下压紧在嵌入式层板架上。
- 圆杯放在带孔的玻璃层板上。



**STEP**  
**1**

4. Put the top cover into the slot on top of the cabinet (Note: If installed with lighting of Kohler brand, the power of the lighting can be installed as shown in the picture and then fix the top cover. Lighting is not supplied with the cabinet.)
5. Fix the wheel cover onto the wheel assembly (align the slot of the wheel cover with the L-shaped iron sheet of the wheel assembly and the press tight.)

4. 将顶盖板放入柜体顶部的槽内(注: 如果选配科勒灯具, 可将灯具电源安装在如图所示位置, 再装顶盖板。灯具需要另外订购。)
5. 将滑轮盖固定在滑轮组件上(滑轮盖的固定槽对准滑轮组件的L型铁片, 然后压紧。)



**STEP**  
**2**