

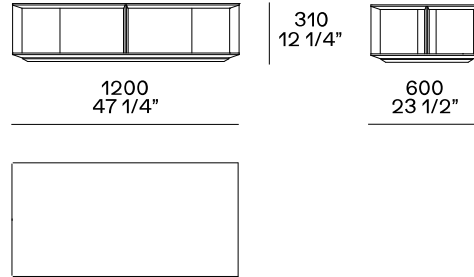
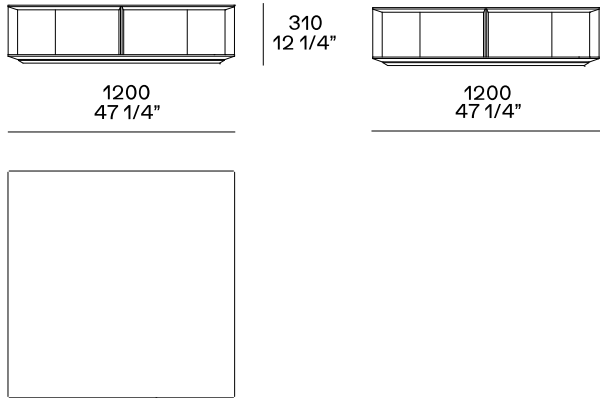


DESCRIPTION

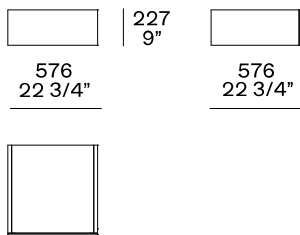
Typology	Coffee table
Structure and base	Medium-density fibre panel veneered
Top	Medium-density fibre panel veneered or marble
Note	Coffee table h475 only if it is placed next to an element of the Westside sofa or next to the coffee table 1300x800mm

DIMENSIONS

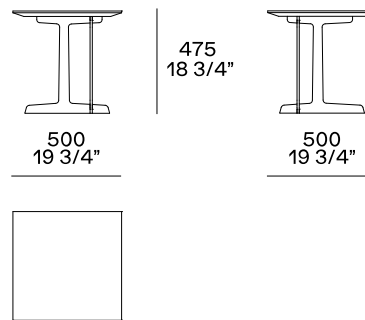
Wood structure and base



Optional drawer

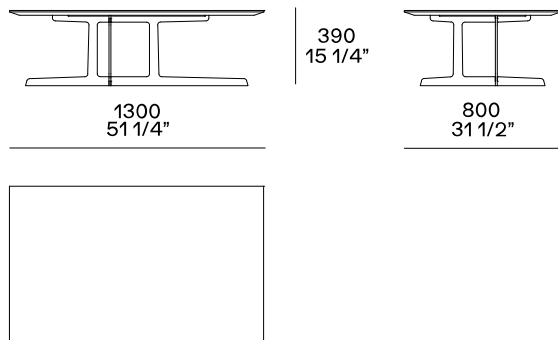


Metal structure



Available only for coffee table 1200x1200 in the version with black elm top.

To be used only next to a module of the Westside sofa or to the coffee table 51 1/4"x31 1/2".



Spacer kit (to reach coffee table height 17 1/4") needed for combination with a module of the Westside sofa.

STRUCTURE FINISHES

Wood



Woods

Metal parts



Metal parts

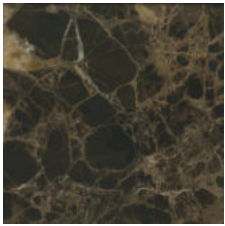
TOP FINISHES

Wood



Woods

Marble



Mat marble



Glossy marble