

BEFORE YOU BEGIN

Thank you. You have just purchased the best bath drain your money can buy. Kohler drains work smoothly and reliably, and keep their gleaming finishes. For easy installation, follow these step-by-step instructions.

Carefully read these instructions before you attempt to remove your old drain or install your new one. Make sure you have the proper tools and materials listed on the following page to complete the job. This will help you avoid unnecessary expense resulting from improper installation.

Your new Kohler drain has been designed for easy installation using common household tools.

安装之前

感谢您购买品质卓越的浴缸排水。科勒排水工作通畅、可靠，光洁持久。请遵循以下安装步骤，完成便捷安装。

在拆除旧排水准备安装新排水时请仔细阅读以下说明。请使用以下列出的工具和材料完成安装，以免安装失误造成不必要的损失。

只要使用普通家用工具即可安装科勒浴缸排水。

INSTALLATION

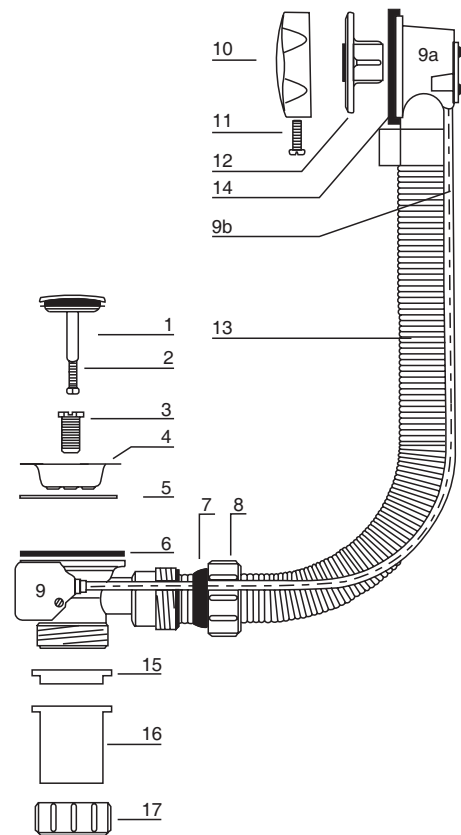
安装

- | | |
|------------------------|---------------------|
| 1...Plug body | 9b..Control Cable |
| 2...Plug | 10..Handle Assy |
| 3...Fix Screw Strainer | 11..Locking Screw |
| 4...Strainer | 12..Overflow Cover |
| 5...Drain Gasket Thin | 13..Flex Pipe |
| 6...Drain Gasket Thick | 14..Gasket Overflow |
| 7...Gasket Joint | 15..Gasket |
| 8...Joint Nut | 16..Drain Pipe |
| 9...Drain Body Assy | 17..Nut Drain Pipe |
| 9a..Over Flow Body | |

NOTE: Parts 9, 9a, 9b, 10 and 11 are factory assembled.

- | | |
|------------|-------------|
| 1...塞子 | 9b..控制线 |
| 2...调节螺丝 | 10..控制钮 |
| 3...中心固定螺栓 | 11..锁紧螺丝 |
| 4...滤网 | 12..溢水面板 |
| 5...橡胶密封圈 | 13..溢水软管 |
| 6...橡皮密封圈 | 14..溢水橡胶密封圈 |
| 7...压缩密封圈 | 15..密封垫片 |
| 8...压缩螺母 | 16..排水管 |
| 9...去水本体 | 17..排水管螺帽 |
| 9a..溢水头 | |

注意：零件9、9a、9b、10和11由工厂组装。



SHANGHAI KOHLER LTD., NO.368, MIN LE ROAD,
FENG XIAN DISTRICT, SHANGHAI, CHINA POST CODE 201419
上海科勒有限公司 上海市奉贤区民乐路368号 邮编：201419

Unpack drain and ensure that the Control Cable ⑩ is not twisted or awkwardly bent.
Please ensure that the bath is placed on wooden blocks or bricks to protect the waste body under the bath.

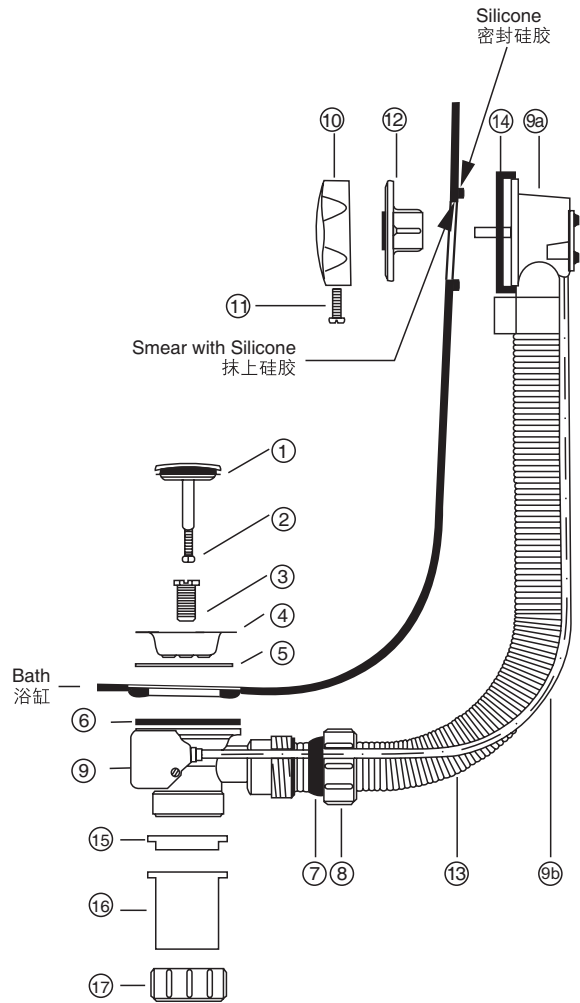
Installation steps:

- 1) Fit Drain Gasket Thin ⑤ to Strainer ④ .
- 2) Insert Strainer ④ into hole in bath from upper side.
- 3) Fit Drain Gasket Thick ⑥ to Drain Body Assy ⑨ and Drain Body Assy ⑨ to underside of bath.
- 4) Strainer ④ to Drain Body Assy ⑨ by means of Fix Screw Strainer ③. **Do not tighten firmly at this stage.**
- 5) Apply a bead of silicone around the overflow hole, on the outside of the bath. Smear with silicone the inside wall of overflow hole.
- 6) Fit 2nd. Gasket Overflow ⑭ to Over Flow Body ⑨a and offer this assembly to back of overflow opening, ensuring they are centrally positioned and then screw Overflow Cover ⑫ on to central spindle. Control Cable ⑩ is not twisted before fully tightening Overflow Cover ⑫. In the event that the Control Cable is twisted or jammed, the pop-up mechanism will not operate.

打开排水包装，确保控制线⑩没有扭曲打结。
请将浴缸放置在木架或硅墙上保障排水配件在浴缸底下。

安装步骤：

- 1) 将橡胶密封圈⑤垫于去水滤网④处。
- 2) 从浴缸的上方将去水滤网④插入排水口。
- 3) 将橡皮密封圈⑥垫于去水本体⑨上并置于浴缸底部，排水口下端。
- 4) 用固定螺栓③固定滤网④和去水本体⑨，注意在此时不要将螺丝旋得太紧。
- 5) 从浴缸的外面朝溢水口处涂一圈密封硅胶。再在溢水口内壁处涂上硅胶。(如图)
- 6) 将另一块橡皮密封圈⑭垫于溢水头⑨a上，然后放在浴缸溢水口的背面并确保它们置中放置。
用螺丝将溢水面板⑫固定到中心轴上。在拧紧溢水面板⑫前请确保控制线⑩没有扭曲打结。控制线打结或扭曲会造成提拉式去水工作失灵。



7) Centralise Grating ④ with Waste Body ⑨ by lining up ribs of each directly in line and tighten Fixing Screw ③ with a coin or suitable screwdriver.

Do not overtighten - handtight plus 1/4 turn should be sufficient.

8) Adjust Plug ① by twisting Control Knob ⑩ to the up position and then fix Plug height by use of Adjusting Screw ②.

9) Secure Flexible Pipe ⑬ by tightening Compression Nut ⑧ against Compression Seal ⑦.

10) Set drain pipe ⑯, put on nut drain pipe ⑰, and then tighten gasket ⑮.

Check if the pop-up mechanism is operating correctly.

NOTE: If the plug can not be pulled to the desired height, please adjust the control cable to see if it is twisted. Proceed with bath installation only after you've ensured that the drain functions normally.

7) 将滤网④和去水本体⑨置中排列并排成一线后用硬币或电钻来固定螺栓③。

不要过分拧紧---用手上紧后再拧紧至合适松紧。

8) 旋转控制钮⑩来调节塞子①到放水的位置，然后使用调节螺丝②固定塞子的高度。

9) 旋紧在压缩密封圈⑦后的压缩螺母⑧来调节和固定软管⑬。

10) 安装排水管⑯，套上排水管螺帽⑰，并垫上密封垫片⑮旋紧。
检查使用提拉式排水正常工作。

注意：如果塞子不能够提拉到工作高度的话，需要调节控制线看它是否扭曲打结。在您检查并确认浴缸排水工作正常后才进行浴缸的下步安装。