



BEFORE YOU BEGIN


安装之前


- Please read these instructions carefully to familiarize yourself with the required tools, materials, and installation sequences. Follow the sections that pertain to your particular installation. This will help you avoid costly mistakes. In addition to proper installation, read all operating and safety instructions.
- All information in these instructions is based upon the latest product information available at the time of publication. Kohler China reserves the right to make changes in product characteristics, packaging, or availability at any time without notice.
- These instructions contain important care, cleaning, and warranty information-**please leave instructions for the consumer.**
- Before installation carefully inspect the new fixture for any signs of damage.

- 请仔细阅读本指引，以便熟悉所需工具、物料及安装程序。请遵照适用的章节来安装本产品，以免安装失当导致不必要的损失。除了有关正确的安装方法之外，还务请详阅所有操作及安全指引。
- 本指引所载之一切资料，均以印刷时所有之最新产品情况为基础，科勒中国保留权利随时更改产品特性、包装或供应情况，恕不另行通知。
- 本指引也包含了有关保养、清洁及担保等重要资料-请交予用户保存。
- 安装之前，仔细检查产品是否有损伤。

 **WARNING: Risk of injury or product damage.**
Tempered glass cannot be cut.

 **警告：可能有人员伤害或者产品损坏的危险。**
钢化玻璃不能进行切割。

 **WARNING: Don't use acidic or alkalic cleaners or alcohol to clean the wooden surface. Use a dampened cloth to clean.**

 **警告：木质表面不能用含酸或碱性的清洁剂以及酒精清洁，请用潮布清洁。**

PARTS

配件

Parts supplied with your cabinet. (For cabinet body and door replacement, call customer service with model number.) Be sure to check the cardboard supports in the carton, glass parts are packed in them.

浴柜附有零件（柜身及门的补换请致电客服部门并告知型号），请仔细检查包装箱。

ACCESSORIES LIST

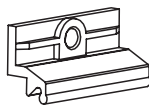
附件清单



Glass Shelves
玻璃层板
X3



Wall Anchors
入墙胶粒
X5



Top Clips
顶扣
X2



Caps of Screw
螺钉盖
X10



Screws ST3.5 x 35
盘头自攻螺钉ST3.5 x 35
X5



Hole Plugs
孔塞
X40



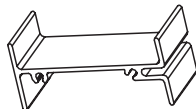
Mounting Bar
承托条
X1



Snap-in Pins
嵌入式层板架
X12



Screws ST4.2 x 12
盘头自攻螺钉ST4.2 x 12
X8



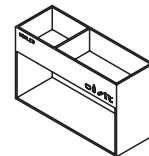
Connector Block
连接工字铝
X2



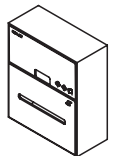
Hinge Clips
铰链限位夹
X2



Glass
玻璃杯
X1

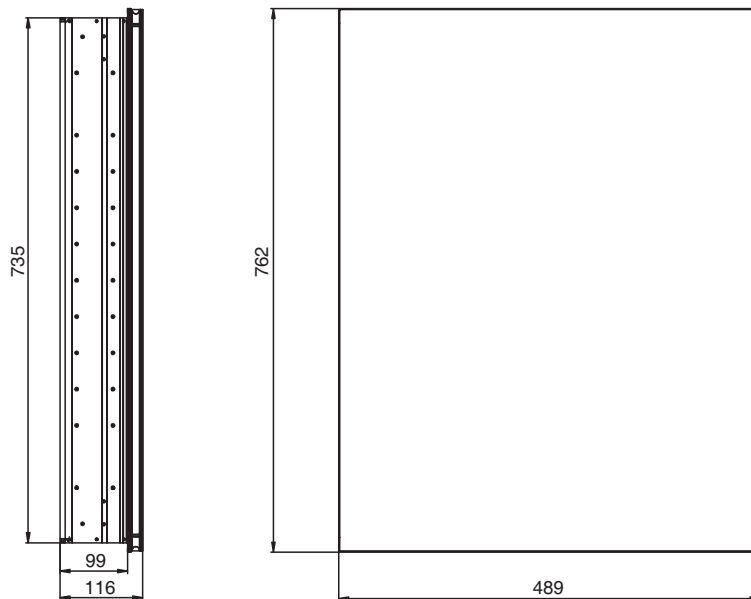


2 Level Box
双层盒
X1



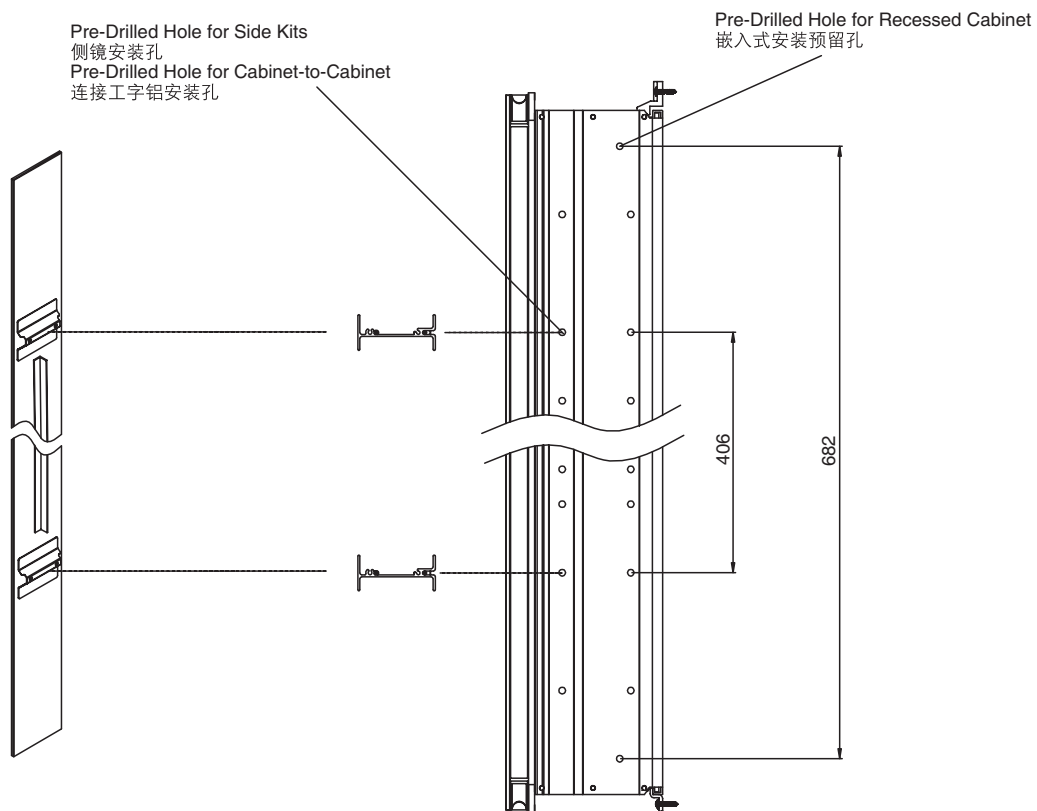
Tissue Box
纸巾盒
X1

UNIT : mm
单位: 毫米



PRE-DRILLED HOLE

安装孔位置示意图



INSTALLATION

安装

NOTE

The cabinet has two ways of installation:

- Recessing mounting.
- Surface mounting.

Refer to the following instruction for mirror installation.

注意

镜柜的安装方式有如下两种:

- 嵌入式安装。
- 挂墙式安装。

挂镜的安装详情见后续说明。

RECESSING THE MIRRORED CABINET INTO THE WALL

嵌入式镜柜的安装

The Vertical installation changes the width of the roughout. Please refer to the picture below.

安装需不同的墙壁孔架宽度。请参阅下图。

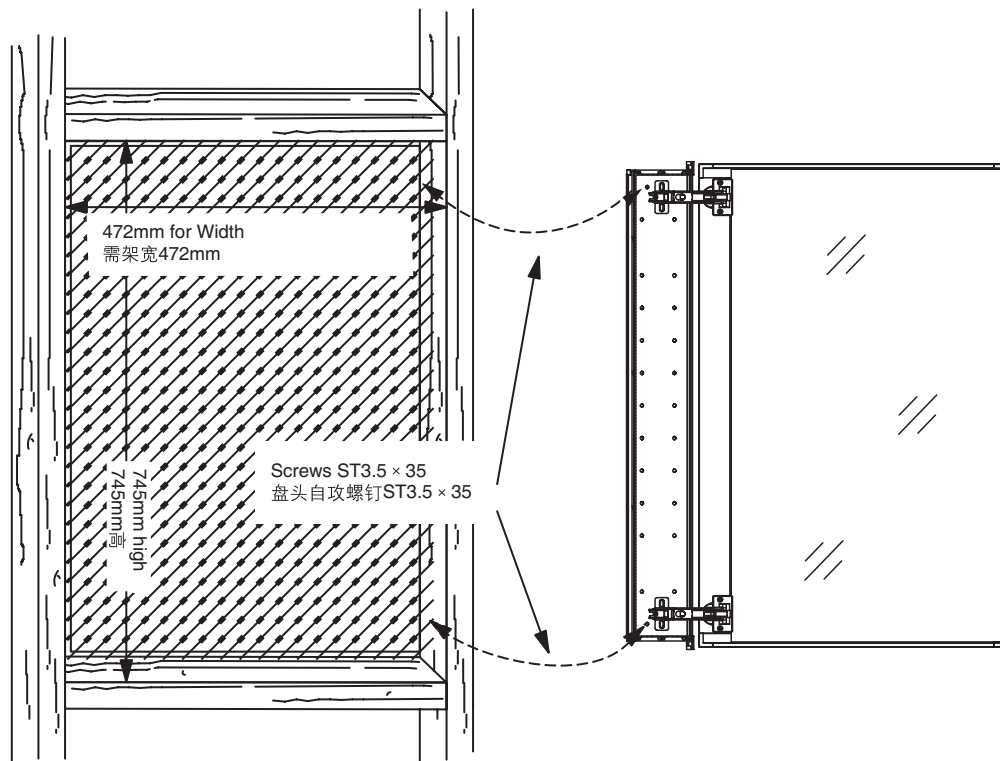
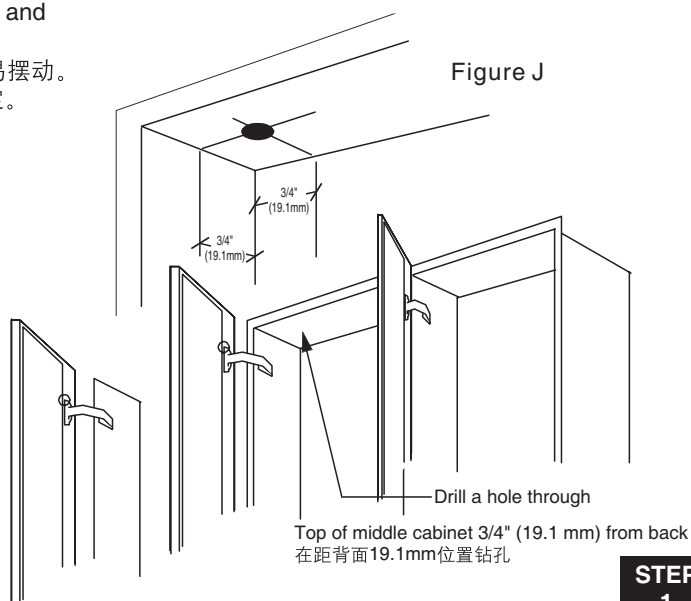


Fig. 1 图1

On installations of larger cabinet in combinations of 3 or more, the center door, when open, may cause the cabinet to bow from the wall. If this happens, drill a hole at the location shown in Figure J and install a ST3.5X35 SCREW.

嵌入式组合安装3个或以上镜柜时，中间的镜柜开门时可能易摆动。发生这种情况时，在该位置顶面钻孔，用ST3.5X35螺钉固定。



STEP
1

Install screws through holes in mirrored cabinet as shown in Fig.1, 2

按图1, 2所示将螺钉装入镜柜的螺钉孔中。

Note: DO NOT OVER- TIGHTEN!

Use screws ST3.5 × 35.

注意: 不可拧得太过, 以免滑牙!

使用螺钉ST3.5 × 35。

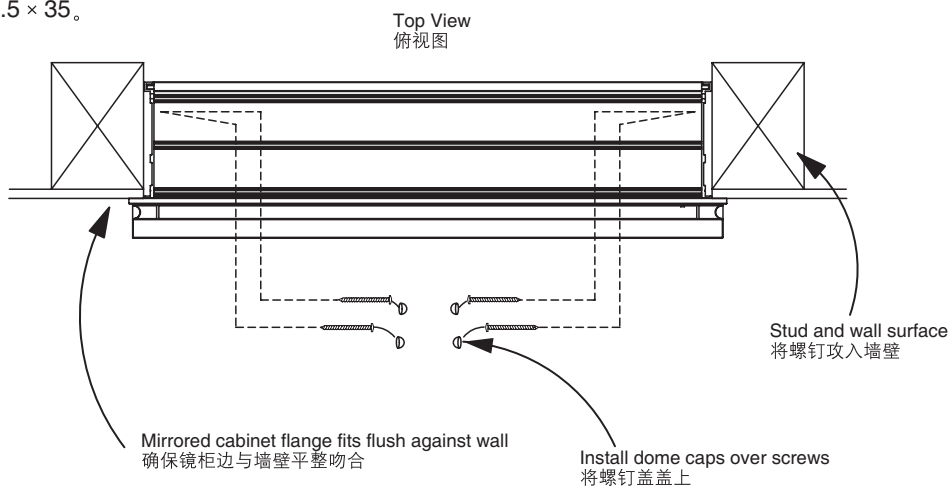


Fig. 2 图2

STEP
2

SURFACE MOUNTING THE MİRRORED CABINET ON A WALL

挂墙式镜柜的安装

NOTE:

Install the side kits while surface mounting the mirrored cabinet on the wall, additional order of the side kits.

注意:

挂墙式安装需要装侧镜, 侧镜另外订购。

As shown in Fig 3, drill two 2- ϕ 5mm holes in bottom mounting bar at indent location, then drill 4- ϕ 6mm holes in wall at locations shown in Fig 3, insert wall anchors.

如图3所示, 在承托条凹凸处打两个 ϕ 5毫米的孔, 然后按图示位置在墙上打4个 ϕ 6毫米的孔, 放入入墙胶粒。

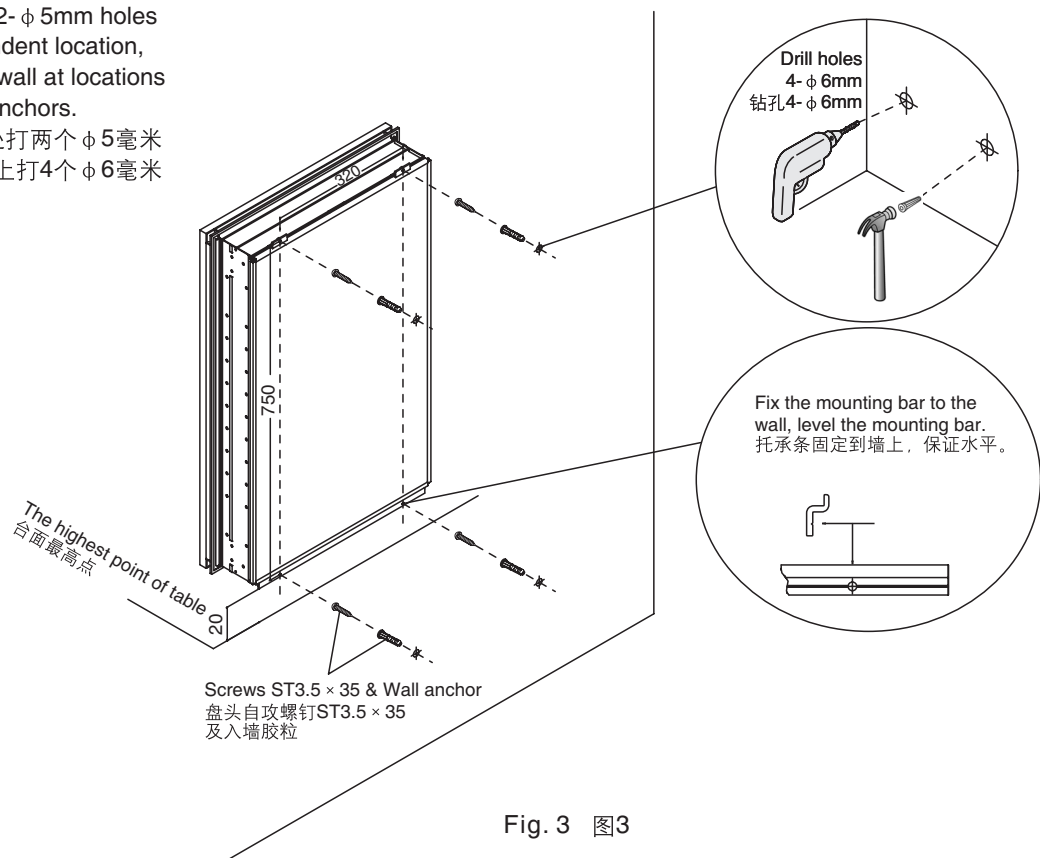


Fig. 3 图3

STEP
1

Sit the mirrored cabinet on the mounting bar, then lower and tighten the screws into place, as shown in Fig.4.

如图4所示，将镜柜放于承托条上，用螺钉将两粒顶扣固定，并旋紧螺钉。

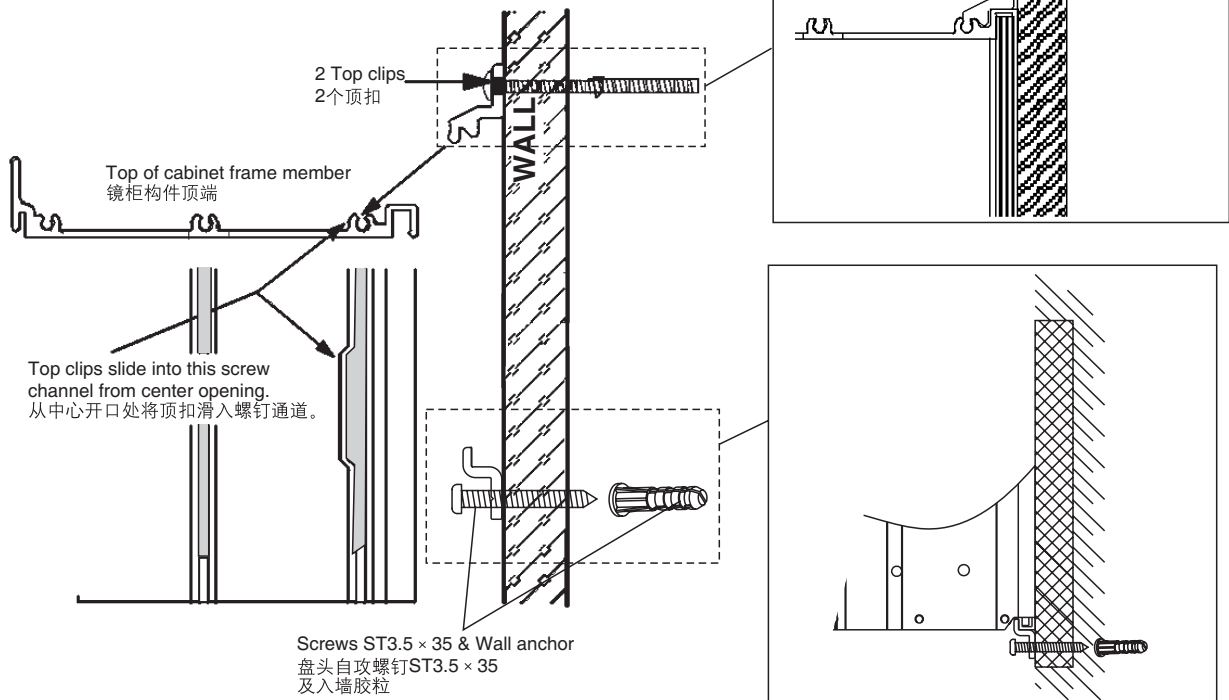


Fig. 4 图4

STEP
2

COMBINATION INSTALLATION OF SEVERAL MIRRORED CABINETS 多个镜柜的组合安装

Connect the cabinets by fixing the connector blocks to the side of the mirrored cabinet with ST4.2x12 screws.
用ST4.2x12自攻螺钉将工字铝固定到镜柜侧面，把多个镜柜组合起来。

For surface mounting installation, please fix the side kits bracket at the two sides of the combined cabinets with M4 screws.
对于镜柜挂墙式安装，在组合镜柜的两侧用M4螺钉固定侧镜支架。

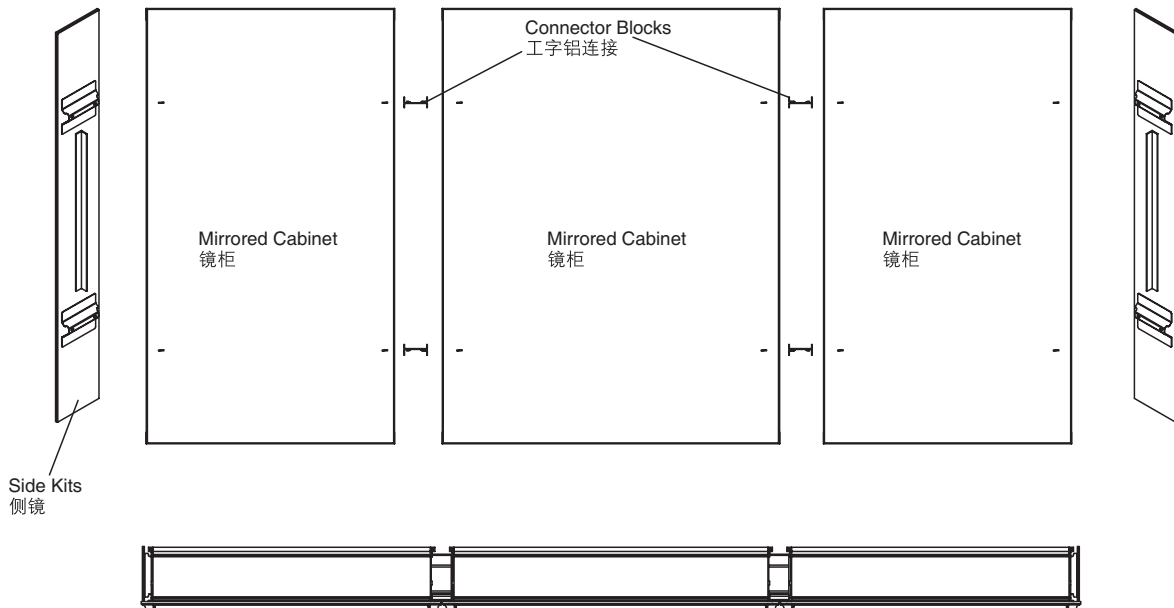


Fig. 5 图5

STEP
1

Door adjustments

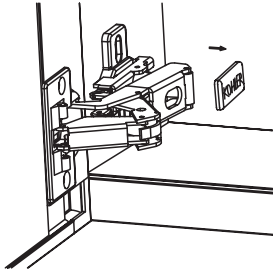
门的拆装及调整

Remove the hinge cover or the blumotion before adjustment, see Fig 6A.

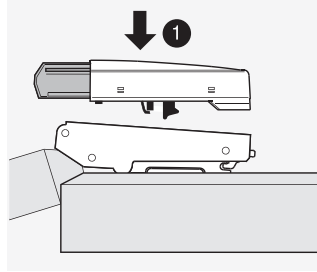
调节前取下铰链盖或者阻尼器。见图6A。

Adjust the hinge of door in 3 directions to make sure the door level as shown in Fig.6B.

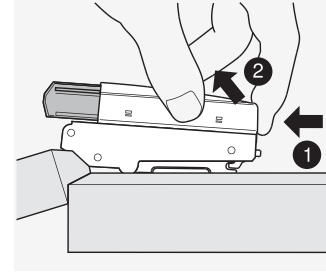
门板的拆装，及三向调节见图6B。



Assemble
铰链盖拆卸

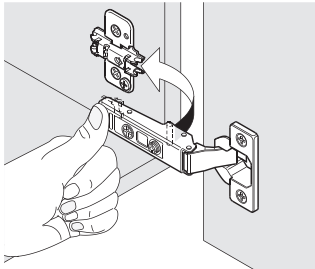


Assemble
阻尼器安装

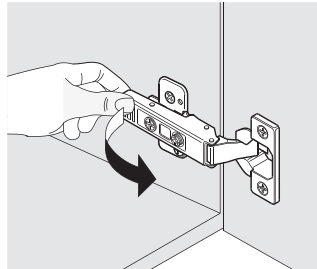


Removal
阻尼器拆卸

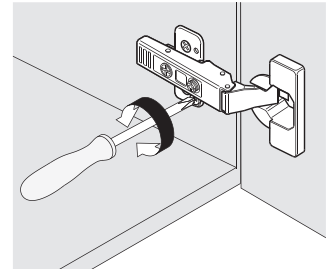
Fig. 6A 图6A



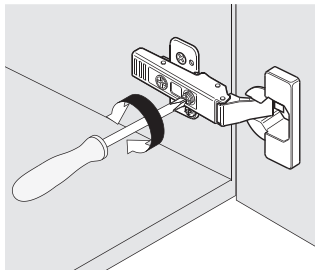
Assemble
安装



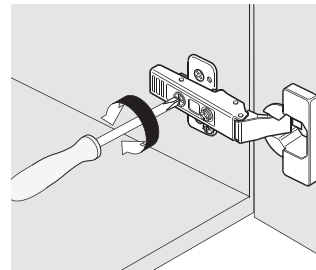
Removal
拆卸



Height Adjustment
调节高度



Side Adjustment
调节侧面



Depth Adjustment
调节深度

Fig. 6B 图6B

If no light kit is installed, the hinge clips are not necessary and the door can be allowed to swing 170°. If the door hinges come with a 110 black plastic hinge clips are required, snap the hinge clip over the elbow of the hinge into the holes located on the hinge.

如果不装灯具，铰链限位夹不必安装，开门角度为170°。如果要安装灯具，可将110°黑色塑料铰链限位夹压入铰链两侧的孔中。

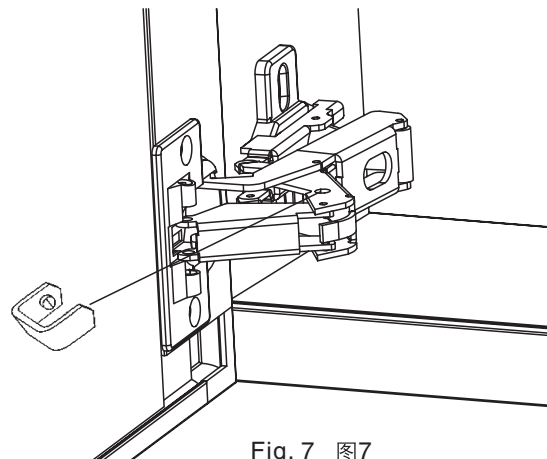


Fig. 7 图7

STEP
2

Put the tissue box, 2 level box and the glass into the cabinet as shown in Fig.8.

按如图依次将纸巾盒，双层盒和玻璃杯放入镜柜中。

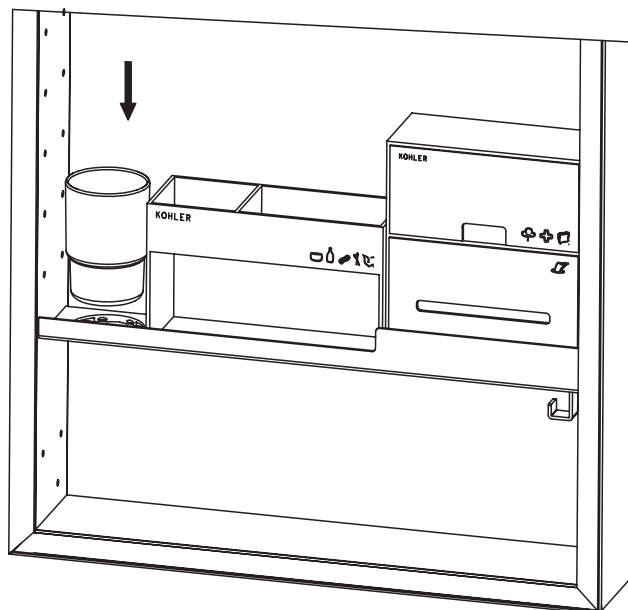


Fig. 8 图8

STEP
3

Push/twist the pins into place & Fill the remaining holes with the plugs

装层板支架&用孔塞塞好其他多余的孔位

- Push one side of the shelf into the left or right clips.
将层板玻璃任一端放于架子上。
- Snap the shelf down into the opposite side. If the shelf is too tight, repeat the process from the other side.
将玻璃层板的另一端压下。如玻璃层板太紧，改从另一端开始再来一次。

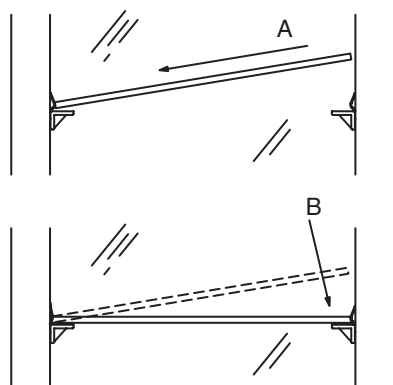


Fig. 9 图9

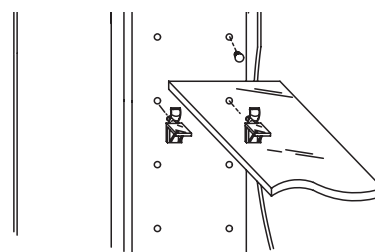


Fig. 10 图10

STEP
4

The step is only for the installation of defogger. See Fig 11, external power supply.

此步骤只适用于有防雾功能的安装。如图所示，外接电源(220V/50HZ)。

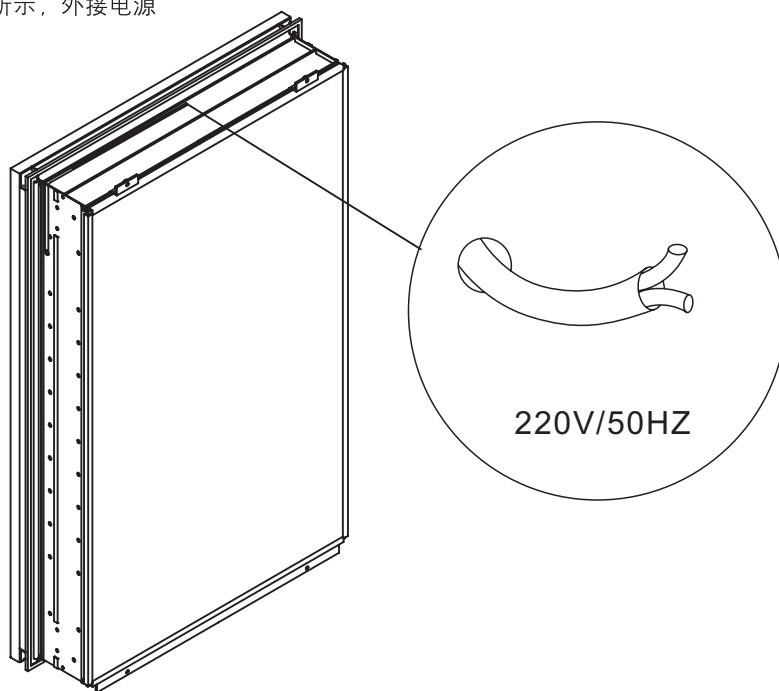


Fig. 11 图11

STEP
5

USER MAINTENANCE

日常维护

Warn! Risk of product damage.

警告！小心产品受损。

1. Many cleansers contain abrasive and chemical substance which is not suitable for cleaning stainless steel, enamel, plating or plastic products. You may use mild cleansers or soaps to clean the surfaces. Wipe any splashes of cleaner solutions from the surface with clean soft cloth.
1. 许多清洁剂都含有研磨剂及化学物质，不可用于清洁不锈钢、搪瓷、镀层或塑料制品。这些表面须使用温和的清洁剂或皂液进行清洁，将残余洗涤剂洗干净，然后用干净的软布擦干。
2. Maintain ventilation in the bathroom, and separate the dry area from the damp one if conditions permit. Try to open the door and windows of the bathroom and maintain good ventilation.
2. 卫生间请保持良好的通风状态，有条件的可以干、湿分离，平常尽量保持浴室空气畅通，养成开窗开门的习惯。
3. Kohler mirrored cabinet are dealt with strict procedures for damp-proof, whose good damp-proof function ensures good performance even in bathroom of huge humidity. Yet do not splash and pour water directly on the mirrored cabinet. Make sure that the bathroom is not over damp and wipe any splashes from surfaces immediately.
3. 科勒镜柜都经过严格的防潮处理，但防潮并不是防水，使用时不可随意任镜柜被水浇、溅。良好的防潮性能可以保证在高相对湿度时仍有良好使用性，所以请避免卫生间过于潮湿，遇有水迹要及时擦干。
4. Maintenance of door board: Clean and wipe door board regularly, and wipe the condensation vapor with dry and soft cloth.
4. 门板的保养：经常用软布定期清洁、擦拭，洗浴后的冷凝水蒸气应用干布擦净，保持门板的干爽。
5. The mirrored cabinet door and interior are constructed of mirror and aluminum. Use only a damp cloth to clean. Spray the cloth, not the mirror when cleaning. Mirrors are damaged by the use of ammonia or vinegar based cleaners. Rubbing alcohol can be used for stubborn stains.
5. 镜柜是由玻璃镜和铝材制造出来的。只能用潮布清洁。清洁时请将水喷在布上，而不是玻璃镜上，含氨或酸的清洁剂会损坏玻璃镜，一些顽渍可用酒精擦除。
6. Use no abrasive cleansers on any part of the mirrored cabinet.
6. 千万不要磨沙型清洁剂擦拭镜柜的任何地方。
7. The white frame should be cleaned with a damp cloth only.
7. 白色框架的镜柜只可用潮布擦拭清洁。