

# KOHLER®

## 科勒®厨卫经典

# 蒂梵诗 DEVONSHIRE 依洛诗 ELOSIS

安装说明书  
INSTALLATION INSTRUCTIONS

镜柜  
MIRROR CABINET

K-15030T, K-15031T, K-15032T, K-15033T, K-15034T, K-15035T

## BEFORE YOU BEGIN

- Please read these instructions carefully to familiarize yourself with the required tools, materials, and installation sequences. Follow the sections that pertain to your particular installation. This will help you avoid costly mistakes. In addition to proper installation, read all operating and safety instructions.
- All information in these instructions is based upon the latest product information available at the time of publication. Kohler China. reserves the right to make changes in product characteristics, packaging, or availability at any time without notice.
- These instructions contain important care, cleaning, and warranty information-**please leave instructions for the consumer.**
- Before installation carefully inspect the new fixture for any signs of damage.

## 安装之前

- 请仔细阅读本指引，以便熟悉所需工具、物料及安装程序。请遵照适用的章节来安装本产品，以免安装失当导致不必要的损失。除了有关正确的安装方法之外，还务请详阅所有操作及安全指引。
- 本指引所载之一切资料，均以印刷时所有之最新产品情况为基础，科勒中国保留权利随时更改产品特性、包装或供应情况，恕不另行通知。
- 本指引也包含了有关保养、清洁及担保等重要资料-**请交予用户保存。**
- 安装之前，仔细检查产品是否有损伤。

## ORDERING INFORMATION

This installation covers the following products in the DEVONSHIREN, ELOSIS mirror cabinet range:

ELOSIS Mirror Cabinet1526 .....	K-15030T-NA
ELOSIS Mirror Cabinet2026 .....	K-15031T-NA
ELOSIS Mirror Cabinet2526 .....	K-15032T-NA
ELOSIS Mirror Cabinet3026 .....	K-15033T-NA
ELOSIS Mirror Cabinet Wood Frame2026 .....	K-15034T-NA
DEVONSHIRE Mirror Cabinet PU Frame2030 .....	K-15035T-NA

## 订购信息

此安装说明书适用于以下蒂梵诗、依洛诗镜柜系列家具的安装：

依洛诗镜柜1526 .....	K-15030T-NA
依洛诗镜柜2026 .....	K-15031T-NA
依洛诗镜柜2526 .....	K-15032T-NA
依洛诗镜柜3026 .....	K-15033T-NA
依洛诗镜柜木框2026 .....	K-15034T-NA
蒂梵诗镜柜PU框2030 .....	K-15035T-NA

## PARTS

Parts supplied with your cabinet. (For cabinet body and door replacement, call customer service with model number.) Be sure to check the cardboard supports in the carton, glass parts are packed in them.

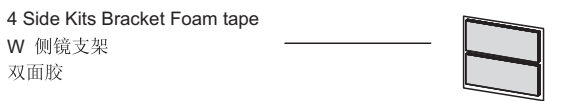
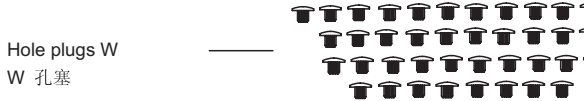
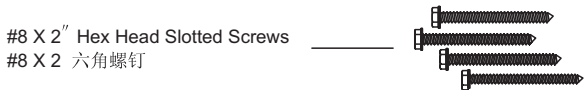
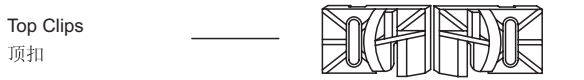
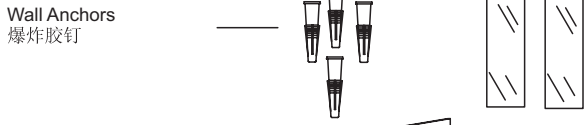
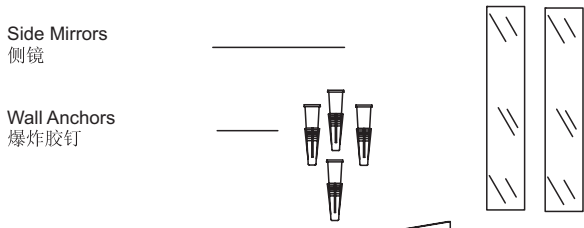
## 配件

浴柜附有零件(柜身及门的补换请致电客服部门并告知型号),请仔细检查包装箱。

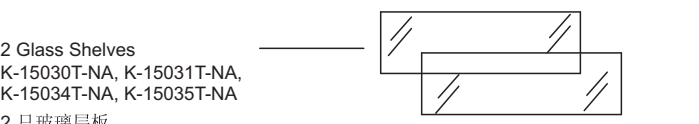
科勒(中国)投资有限公司  
上海市闸北区江场三路158号 邮编: 200436

**PARTS ON LEFT ARE USED WITH ALL CABINETS.**

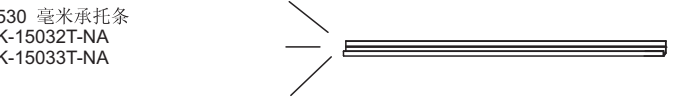
左边所列零件适用于所有款式的浴柜。



**ONE DOOR CABINET-Part list**  
单门浴柜-零件单



**TWO DOOR CABINET-Part list**  
双门浴柜-零件单



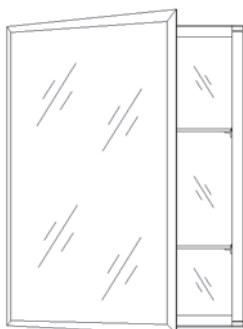
## ROUGHING-IN

## 尺寸图

UNIT : mm  
单位: 毫米



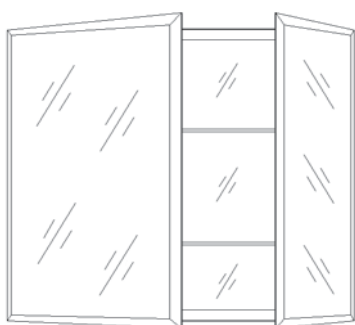
K-15030T-NA



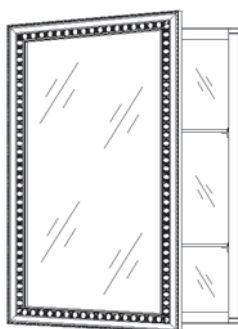
K-15031T-NA



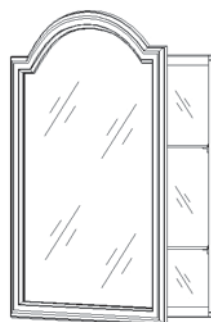
K-15032T-NA



K-15033T-NA



K-15034T-NA



K-15035T-NA

## INSTALLATION

## 安装

### NOTE

All steps after pg.4 are for all cabinets unless noted. (\*)

- For recess mount see instructions below.
- For surfaces mount instructions see page4.
- A surface mounted cabinet requires the optional Mirror kit supplied with your cabinet.

### 1. Recessing the cabinet into the wall

A. The Vertical installation changes the width of the roughout.  
Please refer to the picture below.

### 注意

除特别标明(\*)外, 从第四页起的安装步骤适用于所有浴室柜。

- 嵌入式安装请见以下说明。
- 挂墙式安装请见说明书第二步开始的说明。
- 挂墙式浴柜需配置侧镜(已随产品附送)。

### 1. 嵌入式浴柜的安装

A. 安装需不同的墙壁孔架宽度。请参阅下图。

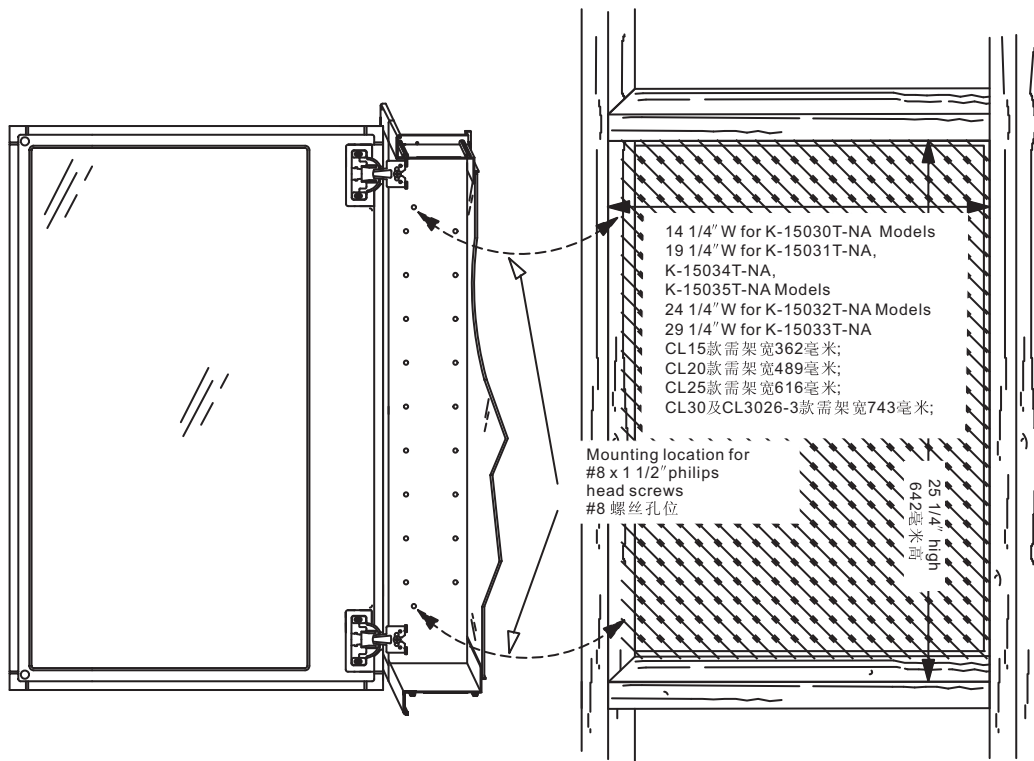


Fig. 1 图1

B. Install screws through holes in cabinet as shown in Fig.1

**Note: DO NOT OVER- TIGHTEN!**  
Use #8 x 1 1/2 Phillips head.

B. 按图1所示将螺丝装入浴柜的螺丝孔中。

**注意：不可拧得太过，以免滑牙！**  
使用#8圆头螺钉。

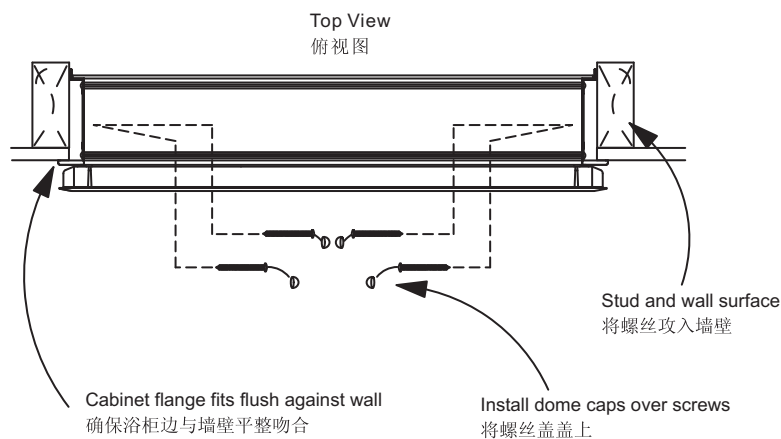


Fig. 2 图2

## 2. Surface mounting the cabinet on a wall.

### NOTE:

Installing the cabinet on a wall without the door attached can make installing easier for one person. Do not mount the doors until the boxes is in or on the wall.

**A. Install Mounting Bar.** (Step one varies on type of cabinet you have, see below.)

1) For Single Door

Drill two 3/16 holes in bottom mounting bar at indent location. Use the supplied anchors or locate studs if possible.

## 2. 挂墙式浴柜的安装

### 注意：

一人安装时将门卸下来安装柜体会较容易些。装好柜体后再将门装上。

**A. 安装浴柜承托条**

(此步骤因浴柜种类不同而有不同的安装方法，详情如下)

1) 单门浴柜承托条的安装

在凹凸处打两个5毫米的孔，使用所附的爆炸胶钉。

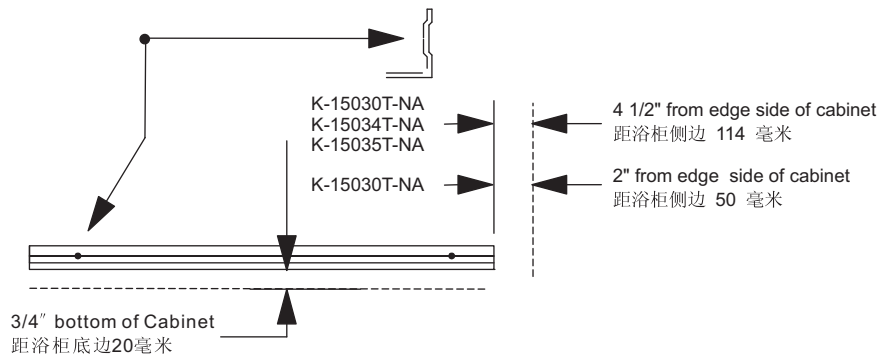


Fig. 3 图3

2) For Two Door

2) 双门浴柜承托条的安装

Drill three 3/16 holes in bottom mounting bar at indent location. Use the supplied anchors or locate studs if possible.

在凹凸处打三个5毫米的孔，使用所附的爆炸胶钉。

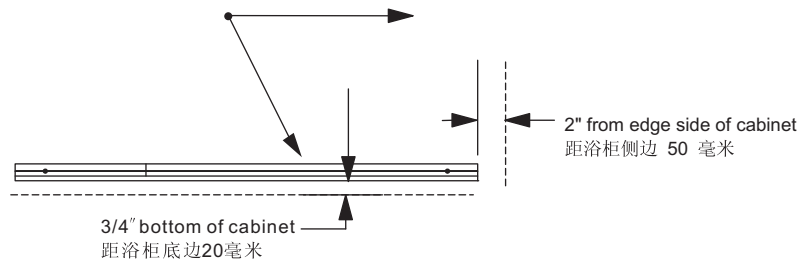


Fig. 4 图4

3) Drill 1/4 hole in wall for mounting bar anchors at locations shown in Fig.3.(If you do not use the anchor, drill a 3/32 pilot hole.) After the holes are drilled, fit the mounting bar onto the wall, refer to Fig. 3 for measurements, and Fig. 5 for information on anchor cinching.

3) 如图3承托条所示位置在墙壁上钻7毫米的孔再上爆炸胶钉(如果您不用爆炸胶钉，钻2毫米大小的孔。)钻好孔后，参照图3的尺寸装好浴柜承托条，并按图5旋紧螺丝。

B. Install Top Clips

B. 安装顶扣

(Left and right top clips come connected, hold both clips and snap them apart).

(左右两粒扣是连在一起的，使用前请分开)。

- 1) Fit cabinet into position on mounting bar as shown in Fig.7A.
- 2) Place clip in position as shown in Fig.7B and mark with a pencil. Remove clip and cabinet and drill the pilot or anchor holes where marked.
- 3) Fix both the clips into position with a screw, and slide the clip into the up position. Sit the cabinet on the mounting bar, then lower and tighten the screws into place, as shown in Fig 7C.
- 4) See Fig. 5 on next page for proper turns required for anchor cinching.
- 5) See page 7 for Side Kit Mirror application.

- 1) 如图7A所示将浴柜上到承托条上。
- 2) 按图7B所示放好顶扣固定位，再用铅笔划线。放开顶扣按划线位置钻孔。
- 3) 如图7C所示，用螺丝将两粒顶扣固定，并移到上方位。将浴柜放于承托条上，然后放下顶扣，打紧螺丝。
- 4) 按图8要求旋紧螺丝。
- 5) 参照第七页的说明安装侧镜。

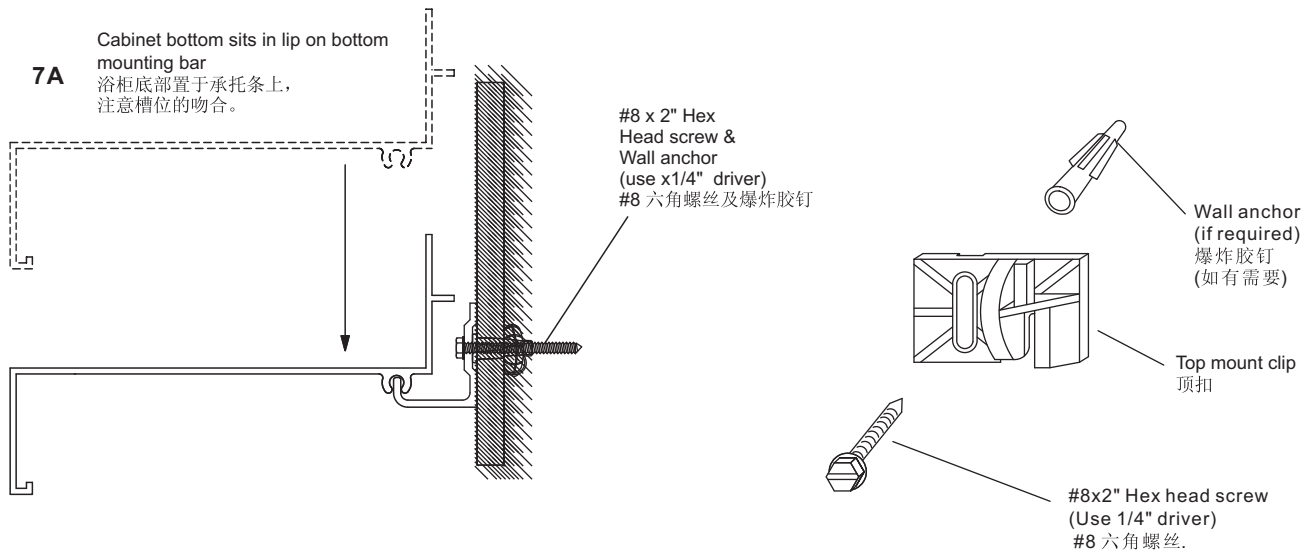


Fig. 6 图6

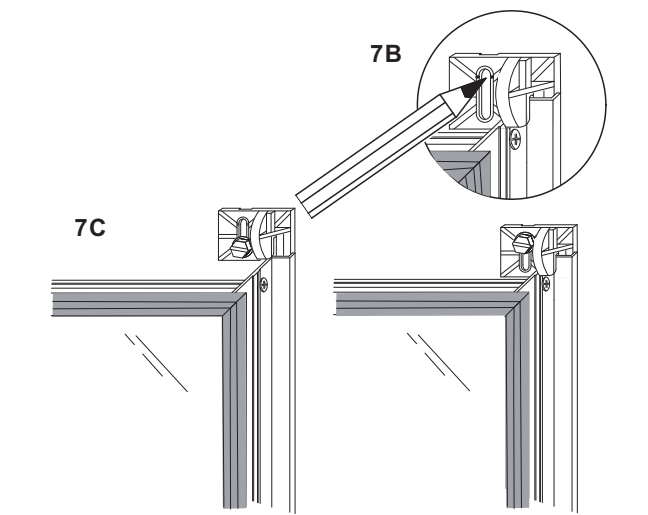


Fig. 7 图7

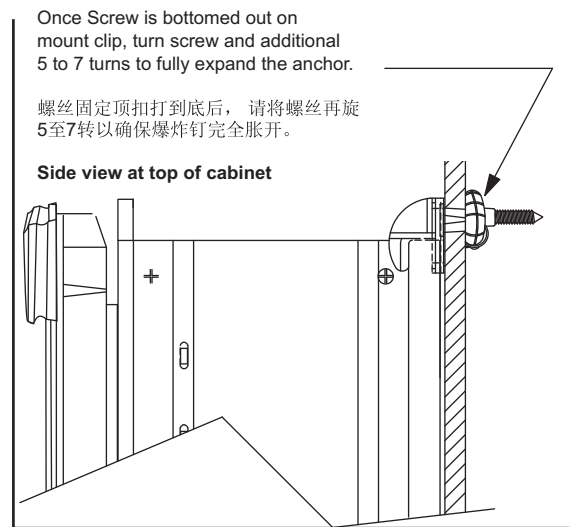


Fig. 8 图8

### 3. Attaching Side Kits to a Surface Mounted Cabinet

#### A. Apply foam tape to Side kit bracket

- 1) Peel tape from sheet, leave liner on.
- 2) Apply as shown to side kit brackets, be sure they are clean and dry.
- 3) **DO NOT PEEL RELEASE LINER UNTIL YOU HAVE TEST FIT THE SIDE KITS ON THE CABINET!**

- B. Attach the side kit brackets to the cabinet as shown in Fig.10
- C. Test fit the side kits, then clean the back of the side kits with rubbing alcohol.
- D. Peel the release tape from the brackets and apply the side kits, push firmly to set.
- E. Cover the screw heads with the screw caps.

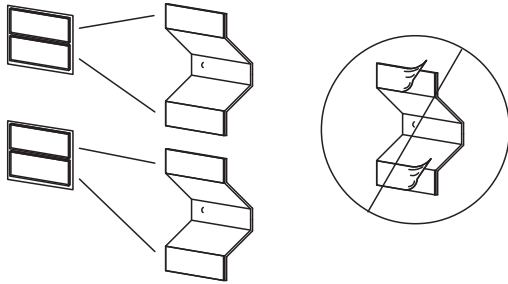


Fig. 9 图9

### 3. 挂墙式浴柜侧镜的安装

#### A. 侧镜支架贴双面胶

- 1) 撕下双面胶，保留面纸。
- 2) 按图示贴于侧镜支架上，贴之前确保支架是干燥清洁的。
- 3) 在确定侧镜与浴柜吻合之前请不要撕开棉纸！

- B. 如图10所示安装侧镜支架。
- C. 试装一下是否吻合，再用酒精将侧镜背面擦干净。
- D. 撕开支架上的双面胶面纸，贴上侧镜并按紧。
- E. 用螺丝头盖盖上螺丝头。

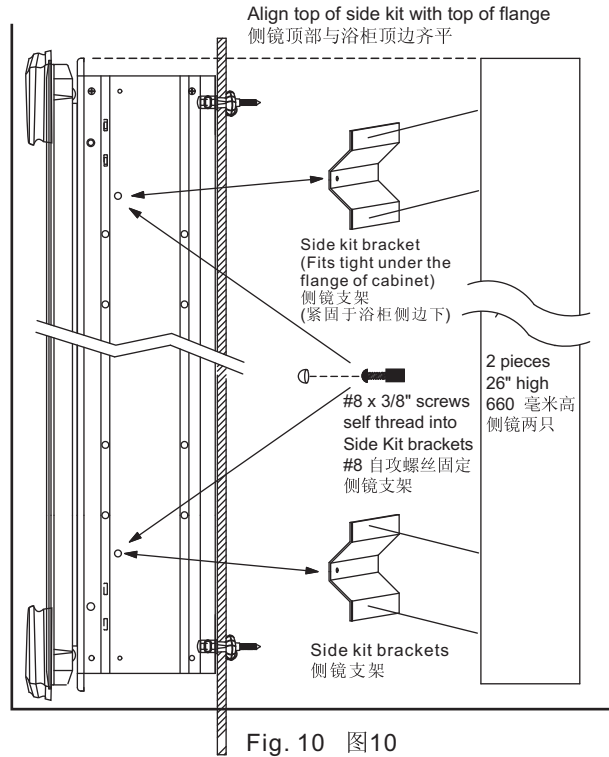


Fig. 10 图10

### 4. Door adjustments

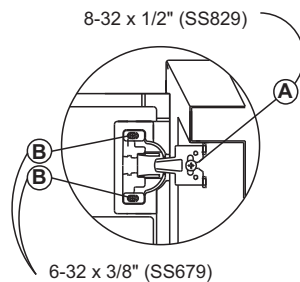
**NOTE: BELOW FOR 1 & 2 DOOR CABINET ONLY\***

- A. This screw releases the door from the cabinet and allows up and down adjustment. Fig.12

### 4. 门的调整

**注意：以下只适用于单门及双门浴柜\***

- A. 此螺丝松开可将门卸下，并可作上下的位置调整，如图11所示。



- B. These screws allow you to plumb the door as shown in Fig.13
- C. The screws you use for attaching the hinges. (Supplied with hinges)

- B. 这些螺丝松开可将门作如图13所示的左右的位置调整。
- C. 安装门铰所用的螺丝。(随门铰附送)

Fig. 11 图11

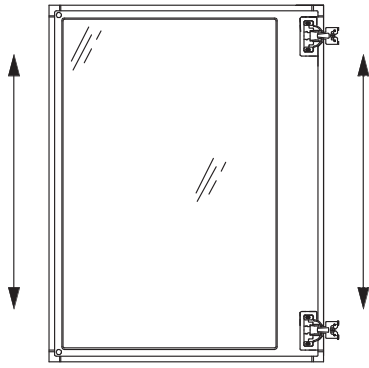


Fig. 12 图12

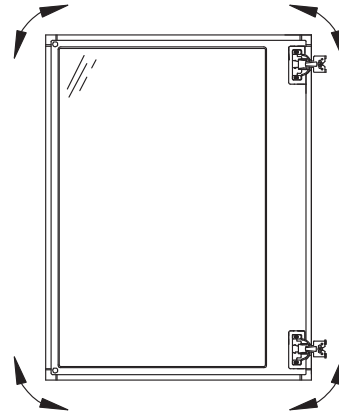


Fig. 13 图13

## 5. Installing the shelves- see Fig.15

### A. Push/twist the pins into place

- 1) Push one side of the shelf into the left or right clips
- 2) Snap the shelf down into the opposite side. If the shelf is too tight, repeat the process from the other side.

### B. Fill the remaining holes with the plugs.

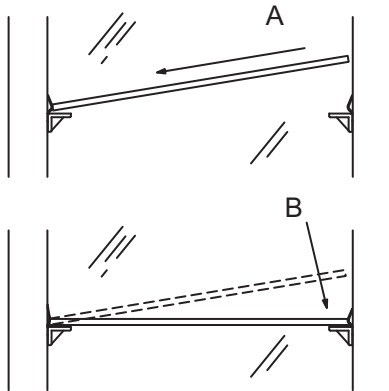


Fig. 14 图14

## 5. 安装玻璃层板-见图15.

### A. 装层板支架

- 1) 将层板玻璃任一端放于架子上。
- 2) 将玻璃层板的另一端压下。如玻璃层板太紧，改从另一端开始再来一次。

### B. 其他多余的孔位用孔塞塞好。

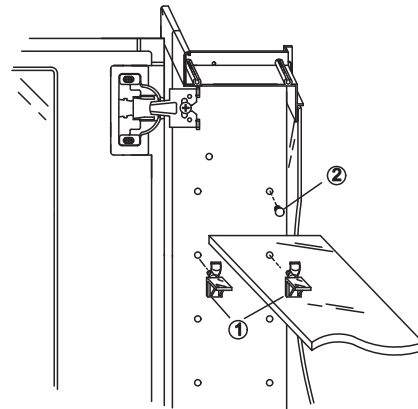


Fig. 15 图15

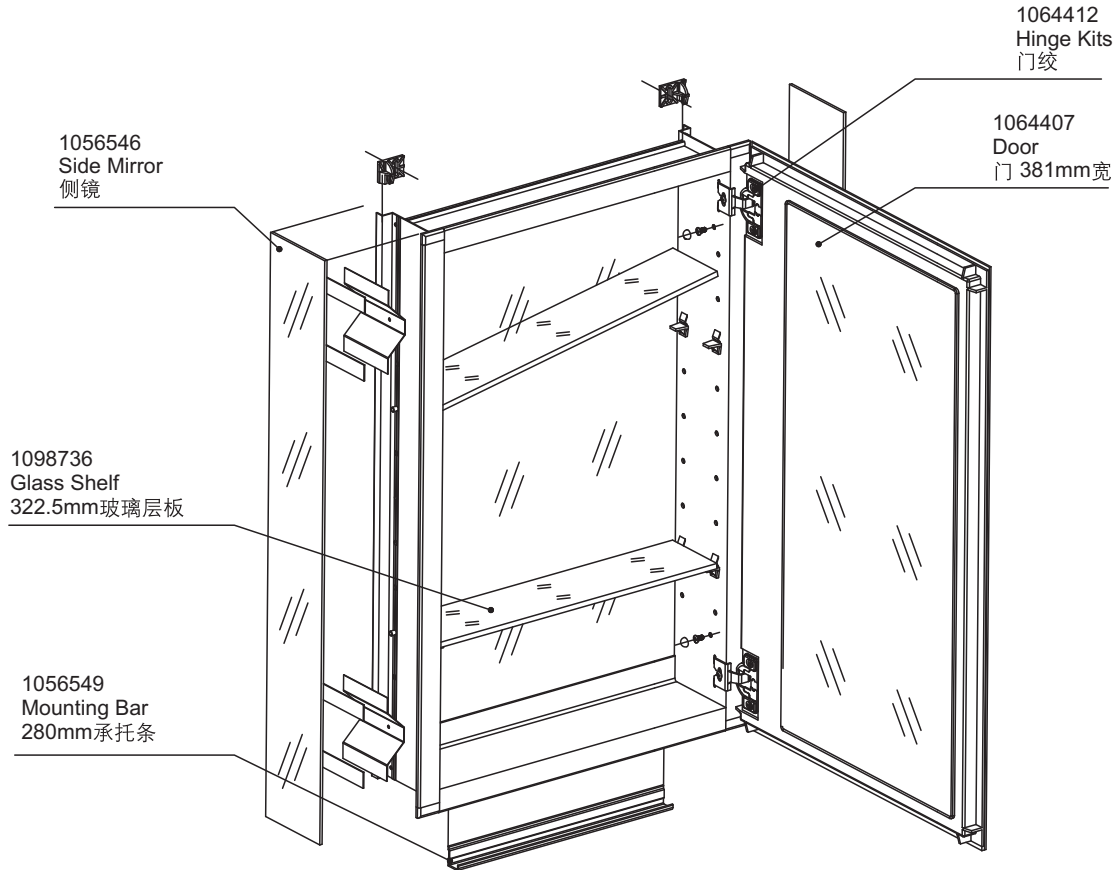


# KOHLER®

## 科勒®厨卫经典

蒂梵诗 DEVONSHIRE  
依洛诗 ELOSIS

维修零件图  
SERVICE PARTS PAGE  
镜柜  
MIRROR CABINET  
K-15030T



1056547  
Kits Hardware, Including Following Parts:  
配件包, 包含下列零件:

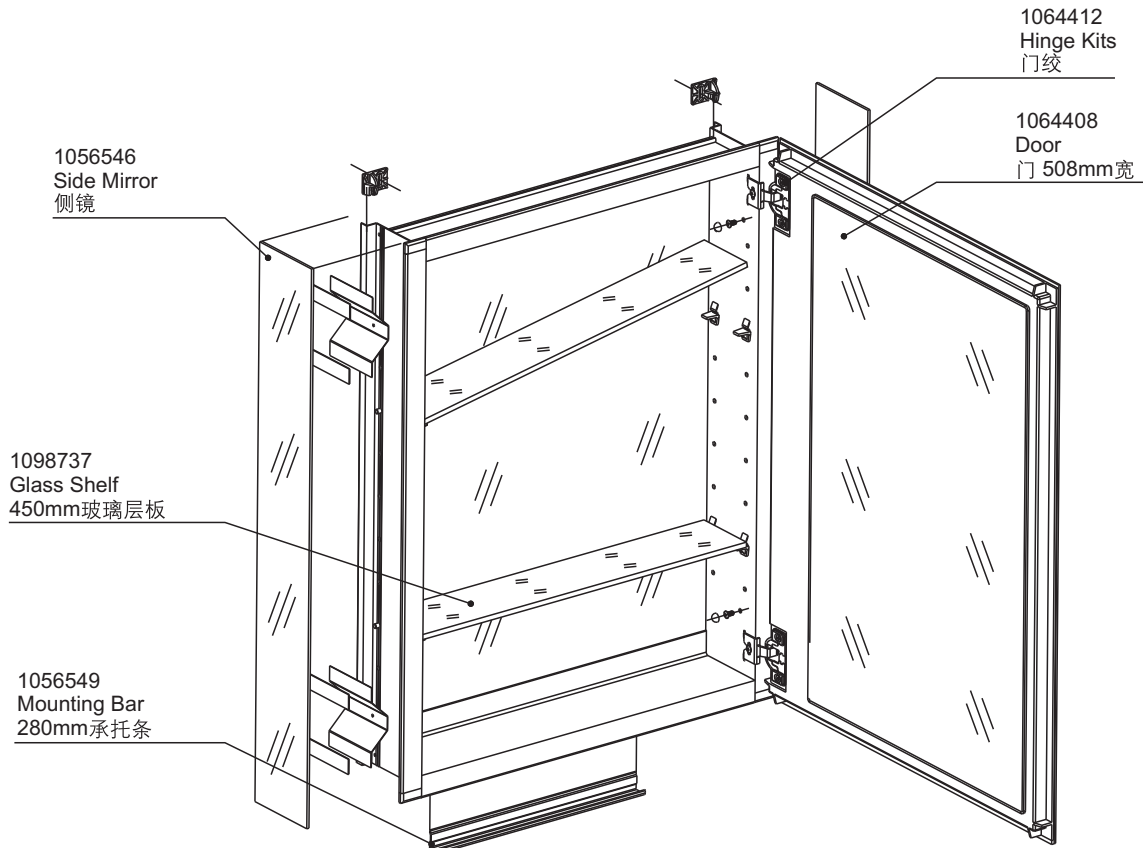
- |   |   |  |  |   |   |
|---|---|--|--|---|---|
|  |  |   |   |  |  |
| Side Kits Brackets<br>侧镜支架  | Wall Anchors<br>爆炸胶钉  | Top Clips<br>顶扣  | Snap-in Pins<br>嵌入式层板架   | Hole Plugs<br>孔塞  | Foam Tape<br>双面胶  |
|  |  |  |  |   |  |
| #8 X 3/8" Side Kits Screws<br>#8 X 3/8" 侧镜安装螺丝                                      | #8 X 1 1/2" Phillips Head Screws<br>#8 X 1 1/2" 圆头螺钉                                | #8 X 2" Hex Head Slotted Screws<br>#8 X 2" 六角螺丝                                      | #8 X 2" Hex Head Slotted Screws<br>#8 X 2" 六角螺丝                                      | #8 X 2" Hex Head Slotted Screws<br>#8 X 2" 六角螺丝                                       | Screw Caps<br>螺丝盖   |

# KOHLER®


## 科勒®厨卫经典

蒂梵诗 DEVONSHIRE  
依洛诗 ELOSIS

维修零件图  
SERVICE PARTS PAGE  
镜柜  
MIRROR CABINET  
K-15031T



1056547  
Kits Hardware, Including Following Parts:  
配件包, 包含下列零件:

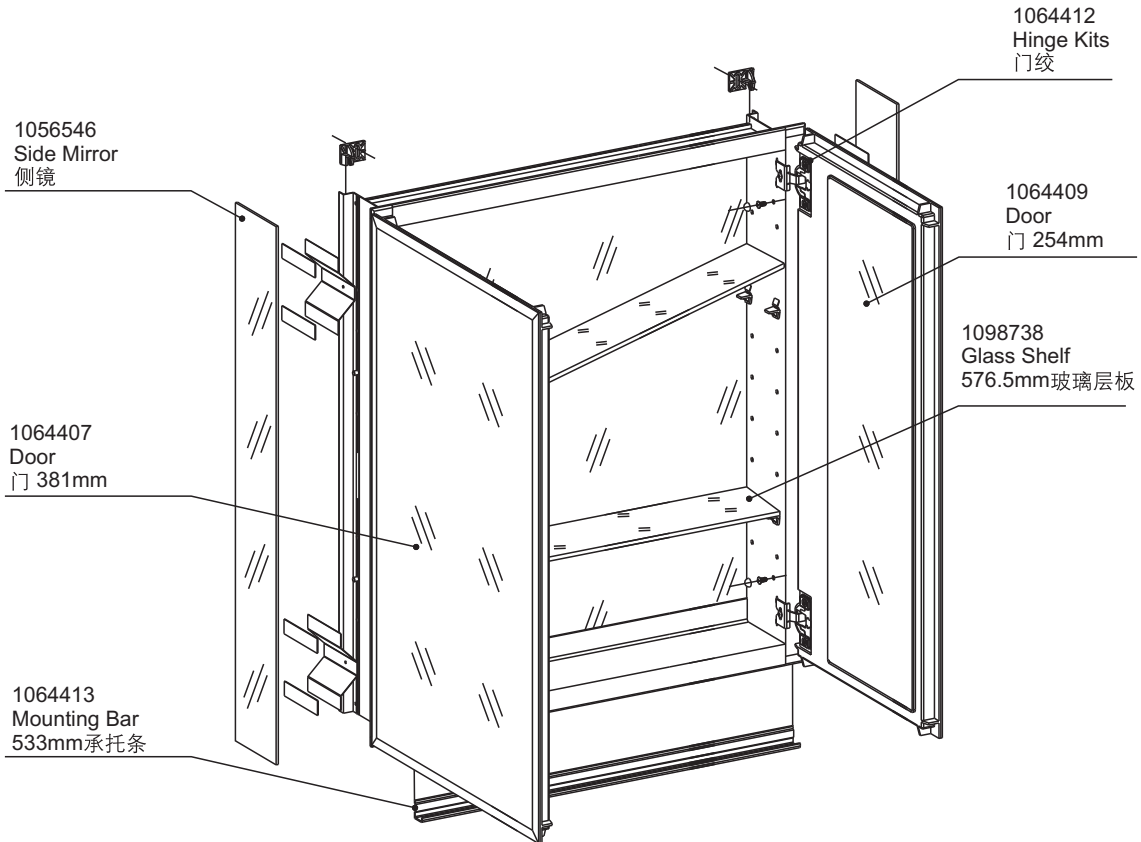
- |   |   |   |   |   |   |
|---|---|---|---|---|---|
|  |  |  |    |  |  |
| Side Kits Brackets<br>侧镜支架  | Wall Anchors<br>爆炸胶钉  | Top Clips<br>顶扣   | Snap-in Pins<br>嵌入式层板架  | Hole Plugs<br>孔塞  | Foam Tape<br>双面胶  |
|  |  |  |  |   |   |
| #8 X 3/8" Side Kits Screws<br>#8 X 3/8" 侧镜安装螺丝                                      | #8 X 1 1/2" Phillips Head Screws<br>#8 X 1 1/2" 圆头螺钉                                | #8 X 2" Hex Head Slotted Screws<br>#8 X 2" 六角螺丝                                     | Screw Caps<br>螺丝盖   |   |   |

# KOHLER®

## 科勒®厨卫经典

蒂梵诗 DEVONSHIRE  
依洛诗 ELOSIS

维修零件图  
SERVICE PARTS PAGE  
镜柜  
MIRROR CABINET  
K-15032T



1056547  
Kits Hardware, Including Following Parts:  
配件包, 包含下列零件:

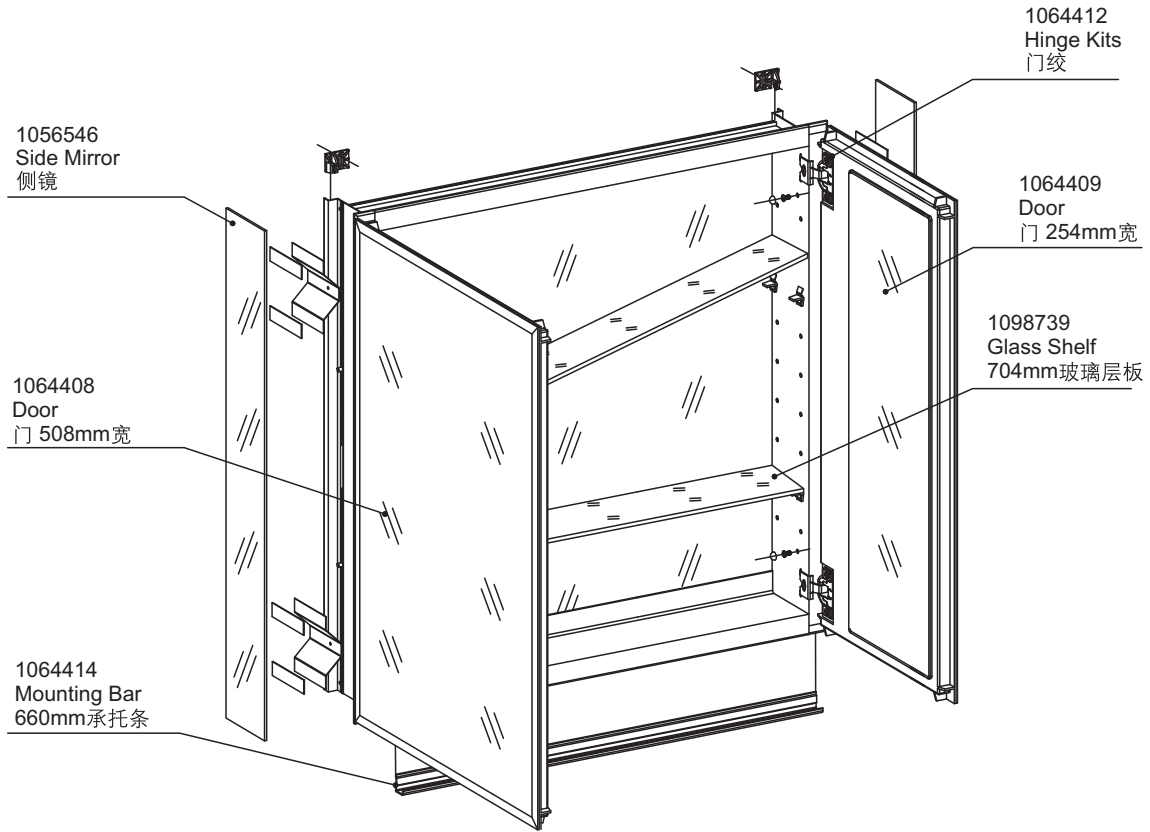


# KOHLER®

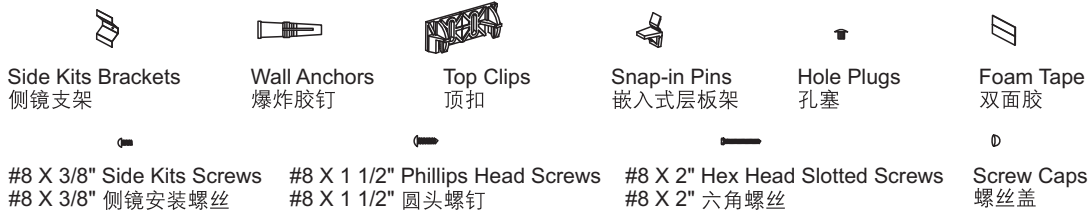
## 科勒®厨卫经典

蒂梵诗 DEVONSHIRE  
依洛诗 ELOSIS

维修零件图  
SERVICE PARTS PAGE  
镜柜  
MIRROR CABINET  
K-15033T



1056547  
Kits Hardware, Including Following Parts:  
配件包, 包含下列零件:

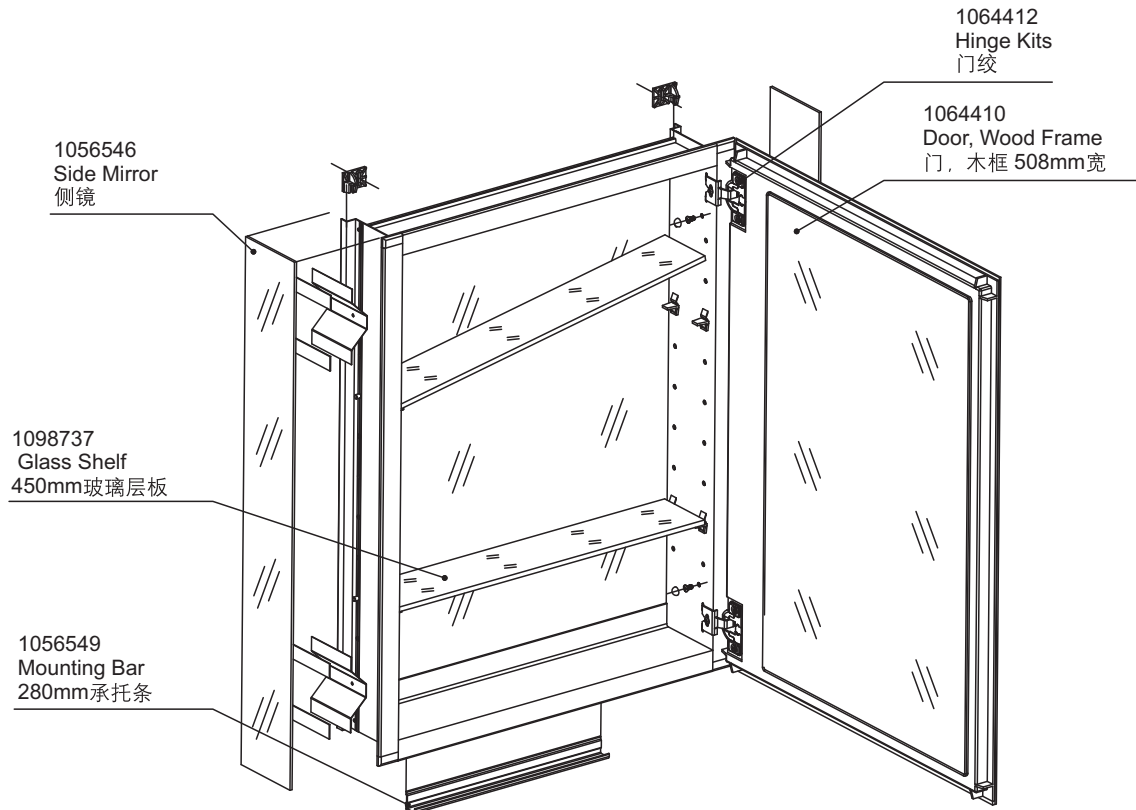


# KOHLER®

## 科勒®厨卫经典

蒂梵诗 DEVONSHIRE  
依洛诗 ELOSIS

维修零件图  
SERVICE PARTS PAGE  
镜柜  
MIRROR CABINET  
K-15034T



1056547  
Kits Hardware, Including Following Parts:  
配件包, 包含下列零件:

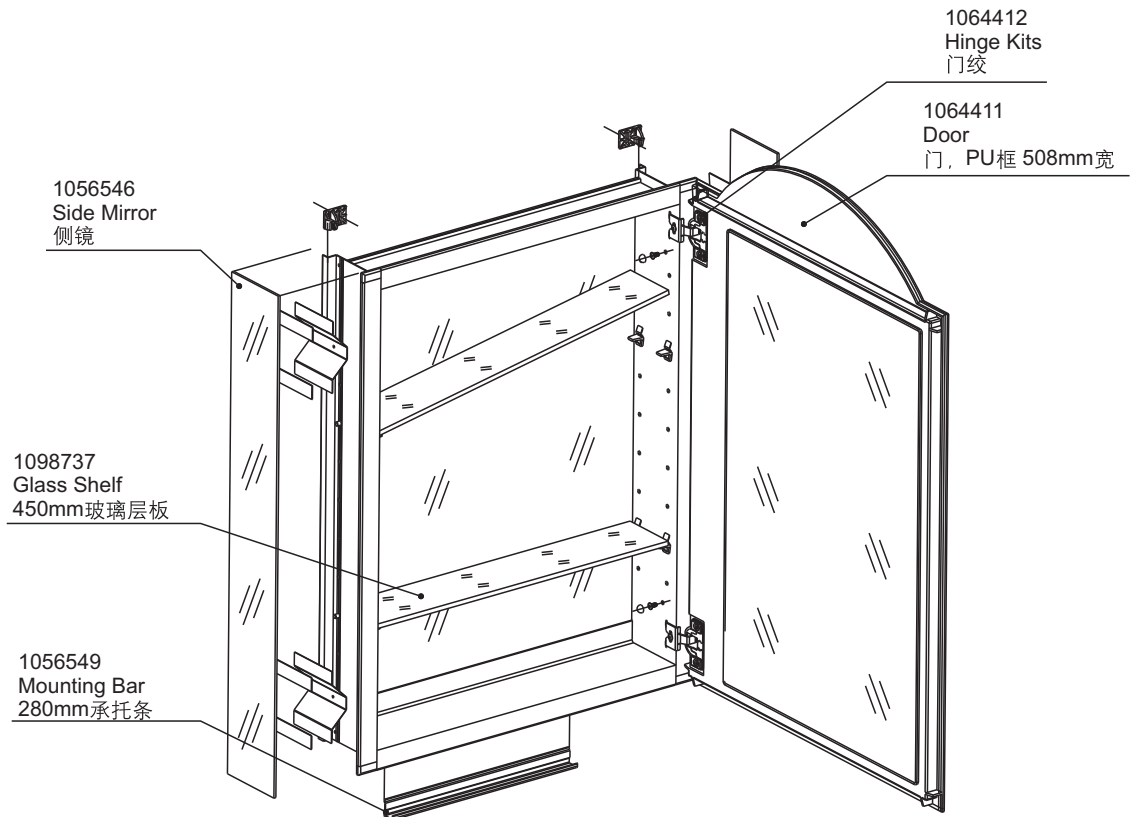


# KOHLER®

## 科勒®厨卫经典

蒂梵诗 DEVONSHIRE  
依洛诗 ELOSIS

维修零件图  
SERVICE PARTS PAGE  
镜柜  
MIRROR CABINET  
K-15035T



1056547  
Kits Hardware, Including Following Parts:  
配件包, 包含下列零件:

