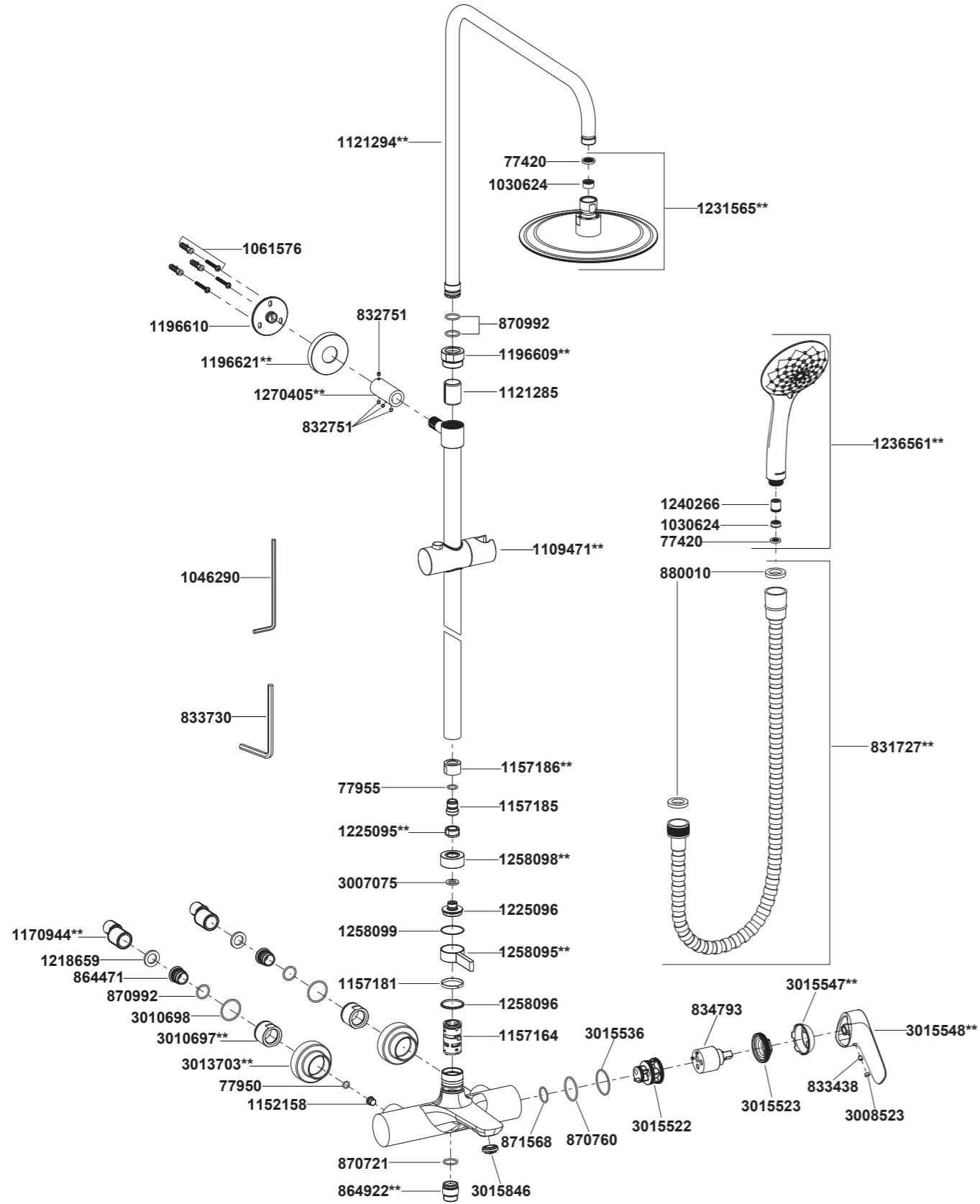


### 97825T-4 3-Way Shower Column-Direct Connection



\*\*Color code must be specified when ordering

### 97825T-4 3-Way Shower Column-Direct Connection

#### BEFORE YOU BEGIN

All information is based on the latest product information available at the time of publication. Kohler Co. reserves the right to make changes in product characteristics, packaging, or availability at any time without notice. Please leave these instructions for the consumer. They contain important information.

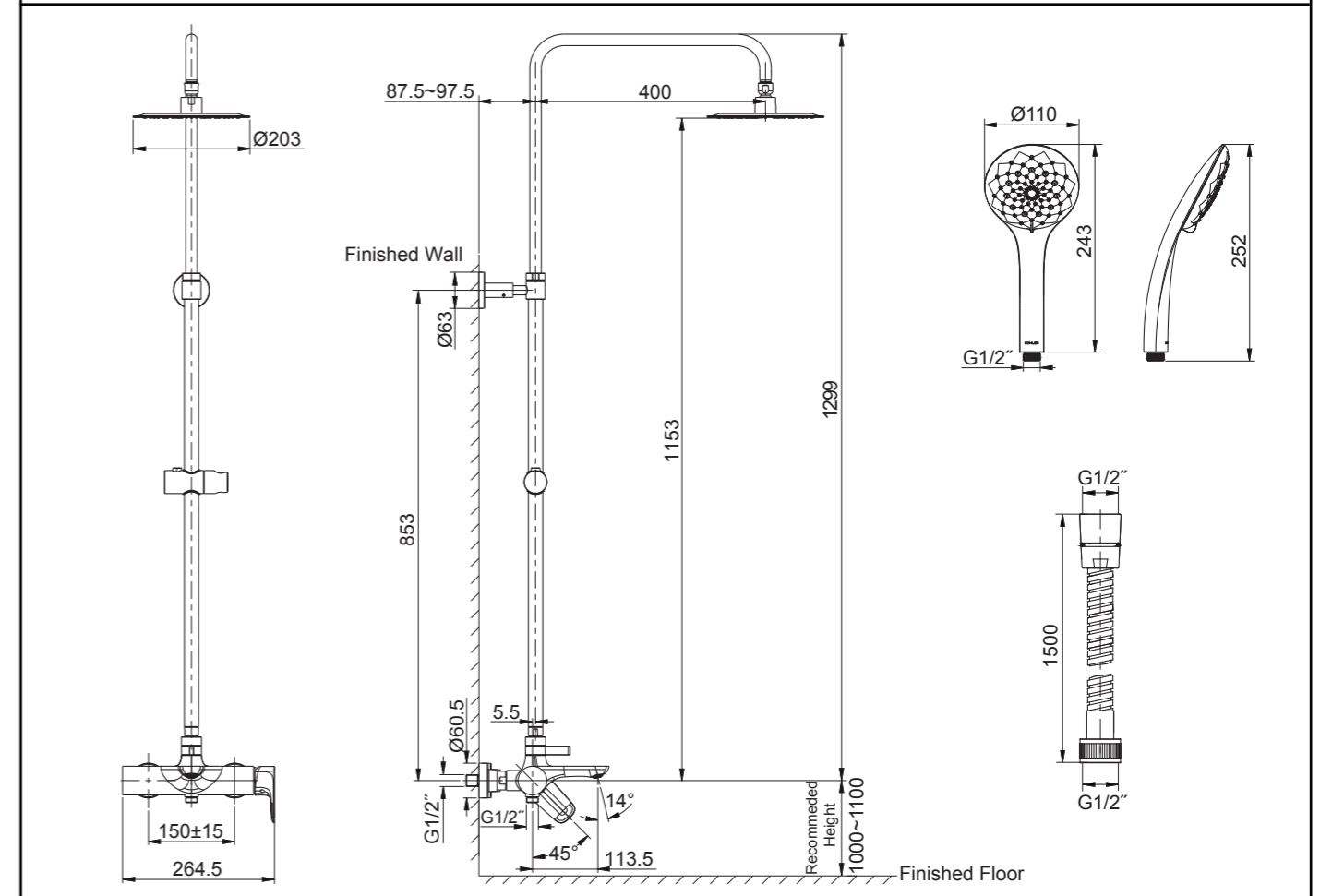
#### NOTES:

1. Shut off the water supplies to the fitting.
2. Inspect the supply tubing for damage. Replace as necessary.
3. Flush the water supply pipes thoroughly to remove debris.
4. The highest working pressure for handshower & showerhead is 0.5MPa(5bar). If it exceeds 0.5MPa(5bar), a pressure reducer is needed. The highest water and environment temperature is 60°C. Please keep handshower, showerhead and shower arm away from heater, or it may become damaged and cause injury to the user.

#### HANDLE OPERATION

Lift the handle gently. Turn clockwise for hot water; turn counter-clockwise for cold water. Water flows out from headshower when diverter handle is in the initial position; Turn the diverter handle clockwise, handshower will work; turn it counter-clockwise, bath spout will work.

#### ROUGH-IN DIMENSIONS



## INSTALLATION

### How to Install the Faucet

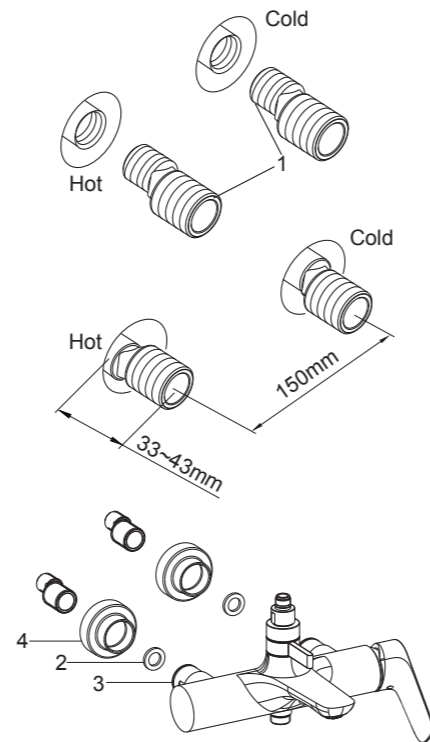
To perform installation, installer must provide G1/2" female supply fittings, spaced 150mm apart and horizontally. The supply fittings should be vertical and not beyond the finished wall. Hot supply pipe must be located on the left.

Flush the water supply pipes thoroughly to remove debris.

Use appropriate thread sealants or thread tape on the threads of offset connectors(1). Install two offset connectors into hot and cold supply pipes.

Adjust the center-to-center distance between the connectors to 150mm and horizontally. They should extend 33 to 43mm beyond the finished wall. Put the washers(2) into supply nuts(3) of the faucet. Apply a ring of putty on back of the escutcheons(4). Install the escutcheons onto the supply nuts. Thread the supply nuts onto the connectors and tighten by strap wrench.

Push the escutcheons until against the finished wall. Remove any excess putty.



### How to Install the Shower Column

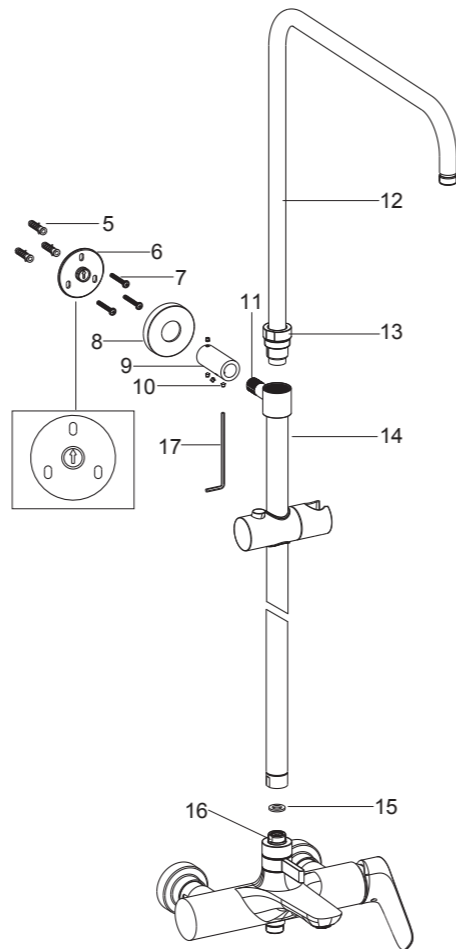
Rehearse slide bar kit(14) installation for the base(6) mounting location determination. Connect the tube joint(9) and the base(6)(**Note:** The arrow in the base is upward), tighten them with screw(10). Set the other end of the tube joint on the supporter(11).

Put the washer(15) onto faucet outlet(16). Connect the faucet outlet(16) and slide bar kit(14). Place the slide bar kit upright and parallel to the finished wall. Mark the holes of base with a pencil on the finished wall. Uninstall the slide bar kit and tube joint.(**Note:** Don't lose the screws.)

Drill holes in the finished wall according to the diameter of the anchors(5) and the position of mounting base. Insert the anchors into the holes. Secure the mounting base by self-tapping screws(7). (**Note:** The arrow in the base is upward).

Ensure the washer(15) on the faucet outlet. Install the tube joint(9) and escutcheon(8) onto the supporter. Connect the slide bar kit and faucet outlet. Slide the tube joint onto the base. Screw the slide bar kit onto the faucet with strap wrench or soft cloth between the nut and regular wrench. Make sure the slide bar kit is parallel to the finished wall. Tighten the screw(10) with hex wrench(17). Screw the escutcheon until it against wall.

Remove and discard the guard from the tube kit(12). Install the tube kit into the slide bar kit. Then screw the nut(13) onto the slide bar kit with strap wrench or soft cloth between the nut and regular wrench. Make sure the outlet of the tube kit faces front.

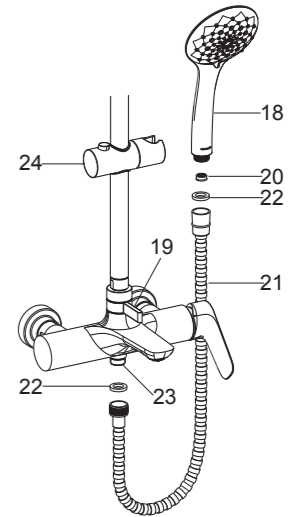


### How to Install the Handshower and Hose

Turn the diverter handle(19) for handshower(18) and run hot and cold water for about one minute to remove any debris before the handshower is installed.

Put the restrictor(20) into the handshower inlet if needed. Connect the hose(21) to connector(23) and handshower with washers(22).

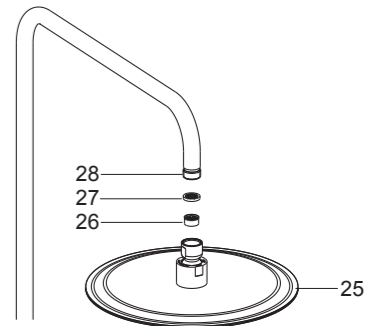
Hang the handshower on the shower bracket(24).



### How to Install the Showerhead

Turn the diverter handle for showerhead(25) and run hot and cold water for about one minute to remove any debris before the showerhead is installed.

Before installation, put the restrictor(26) into the showerhead inlet if needed. Take out the washer(27) and install the restrictor as shown, reinstall the washer. Tighten the showerhead onto the tube kit outlet(28) with strap wrench.



## INSTALLATION CHECKOUT

Ensure that all coupling nuts are tight. Close the valves. Turn on the main water supply, and check for leaks. Repair as needed.

## CLEANING INSTRUCTIONS

All Finishes: Clean the finish with mild soap and warm water. Wipe entire surface completely dry with clean soft cloth. Many cleaners may contain chemicals, such as ammonia, chlorine, toilet cleaner etc. which could adversely affect the finish and are not recommended for cleaning.

Do not use abrasive cleaners or solvents on Kohler faucets and fittings.