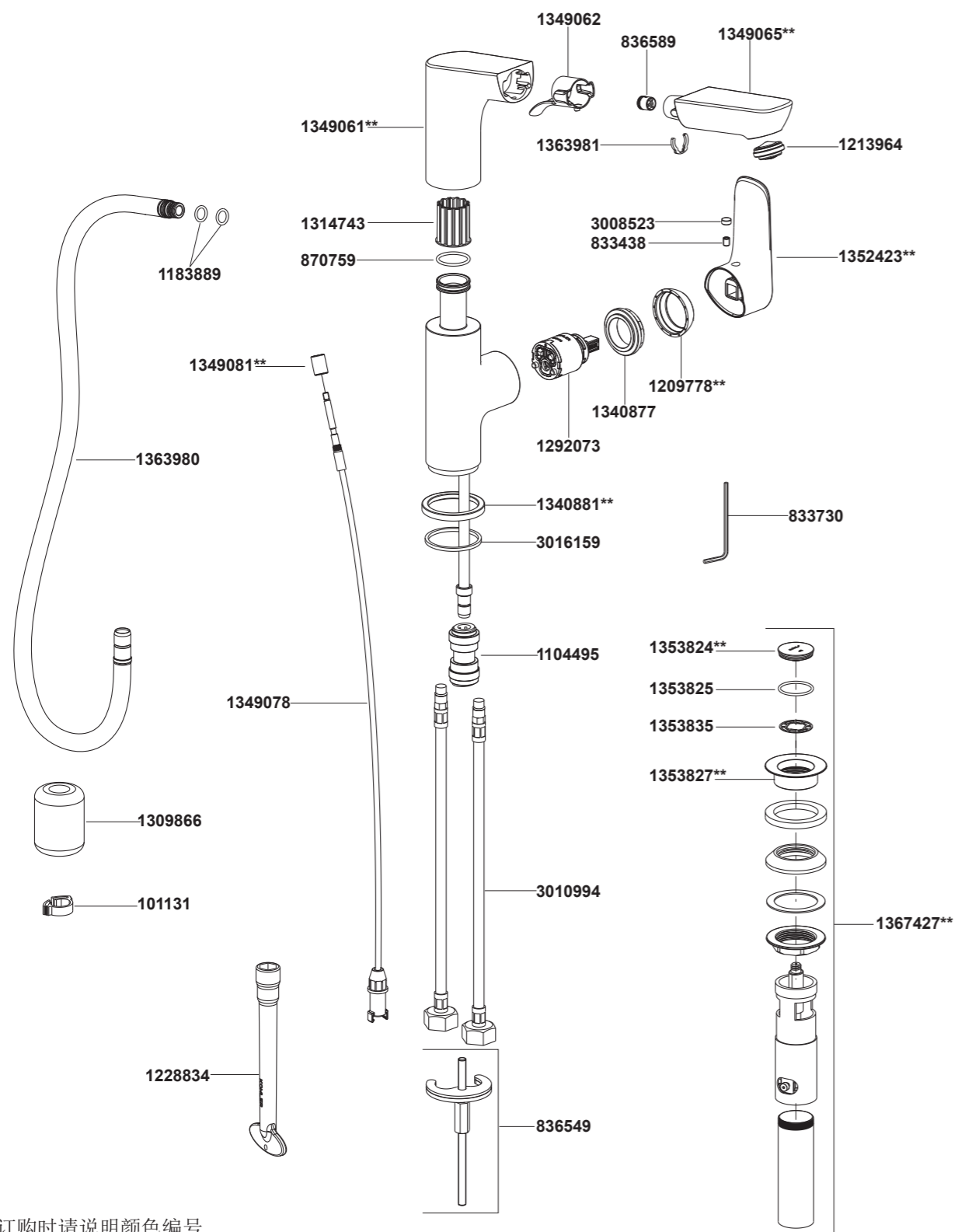


31240T-4 单把梳洗脸盆龙头(致巧款)



\*\*订购时请说明颜色编号  
\*\*Color code must be specified when ordering

31240T-4 单把梳洗脸盆龙头(致巧款)

安装之前

BEFORE YOU BEGIN

所有的资料是按最新出版的产品资料编写而成。科勒公司保留任何时候不经通知即可改变产品特性、包装或产品可供类型的权利。

All information is based on the latest product information available at the time of publication. Kohler Co. reserves the right to make changes in product characteristics, packaging, or availability at any time without notice.

说明书包括重要的安装、保养及清洁方面的内容, 请把这些资料交给用户阅读。

Please leave these instructions for the consumer. They contain important information.

注意事项:

NOTES:

1. 一定要先彻底冲洗供水管以清除管道中的杂质。

1. Flush the water supply pipes thoroughly to remove debris.

2. 如果是安装新脸盆, 可将水龙头先装到脸盆上。

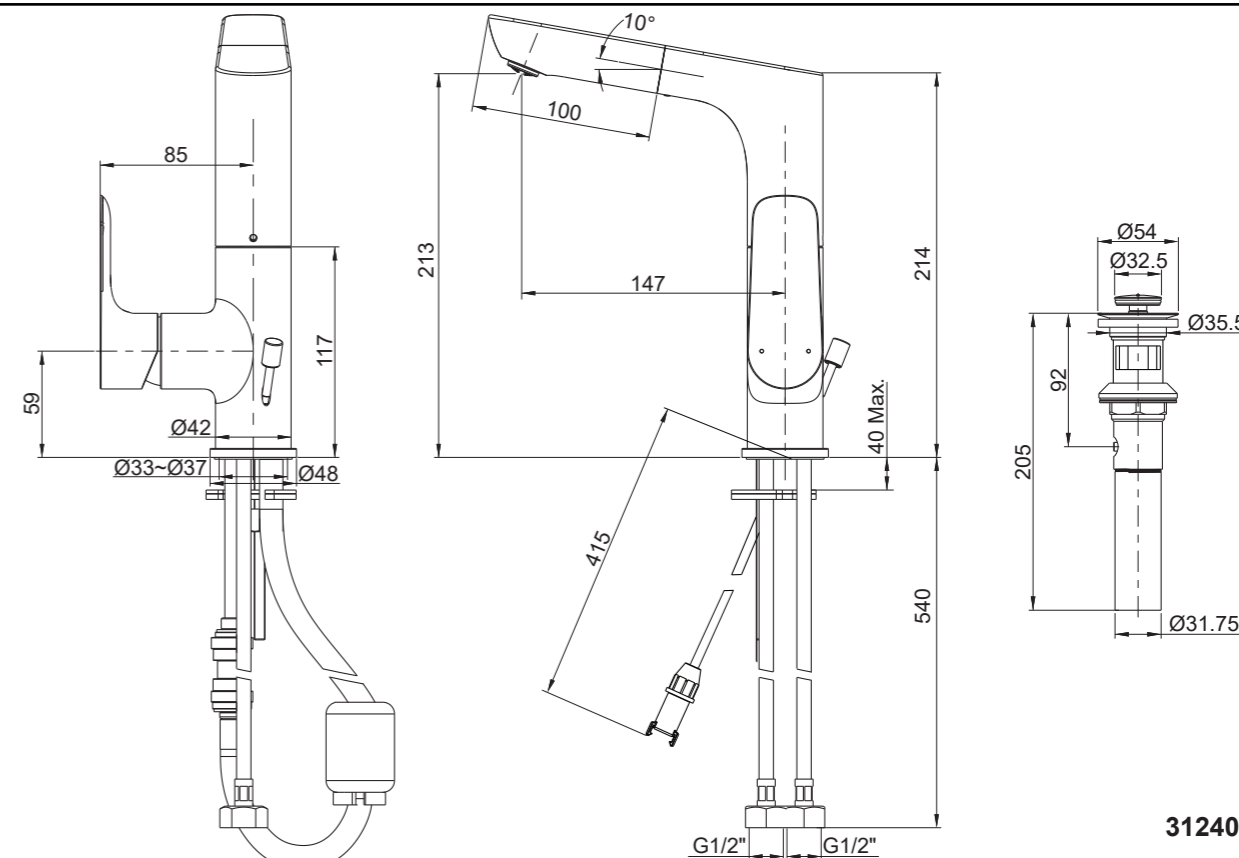
2. For new installations, assemble the faucet to lavatory before installation.

3. 花洒最高工作压力为: 0.5MPa(5bar)。水压超过0.5MPa(5bar)时须安装减压阀。花洒最高工作温度及环境温度: 60°C。请特别注意花洒须远离浴霸, 否则可能损坏花洒及其密封件, 甚至对使用者造成伤害。

3. The highest working pressure for spray is 0.5MPa (5bar). If it exceeds 0.5MPa(5bar), a pressure reducer is needed. The highest water and environment temperature is 60°C. Please keep spray away from heater, or it may become damaged and cause to injury to the user.

安装尺寸

ROUGH-IN DIMENSIONS



31240T-4

## 安装步骤

### 如何安装水龙头

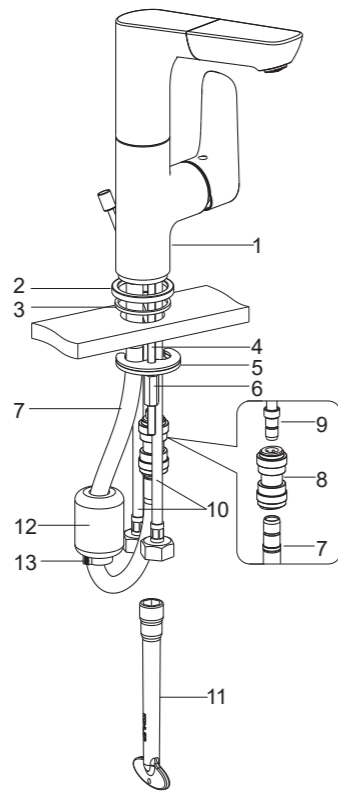
将固定螺栓(4)装入龙头本体(1)底部。把垫片(3)放入装饰盖(2)底部凹槽中,将装饰盖带垫片套在龙头本体底部,再将龙头组件插入台面安装孔中,使装饰盖底部接触台面。

从脸盆下方把垫片(5,橡胶垫片放在上面)和螺母(6)套入固定螺栓。注意:垫片(5)与抽拉软管(7)之间留一定的间隙,避免影响抽拉效果和磨损抽拉软管。调整水龙头的位置,使得抽拉软管在左边,与两进水软管(10)左右对称。用工具(11)预紧螺母。将接头(8)与铜管接头(9)连接。

将重锤(12)和塑料夹(13)装到抽拉软管上调整位置使其距龙头底面距离合适。将抽拉软管装入接头(8)内。

测试软管抽拉效果,确保抽拉顺畅后,用工具(11)锁紧螺母(6)以固定水龙头。

把进水软管接到水源上,当面对水龙头时,前边为热水,后边为冷水。冷水管贴有“COLD”标签。



## INSTALLATION

### How to Install the Faucet

Install the mounting stud(4) into the faucet body(1) base. Put the washer(3) into the groove of the escutcheon(2). Install the escutcheon onto the bottom of the faucet body. Insert the faucet assembly into the mounting hole. Ensure the bottom of the escutcheon is against the deck.

From underside, place the washers(5, rubber washer is on the top) and nut(6) onto the mounting stud. **NOTE:** Keep a certain space between the washers(5) and pull-out hose(7), avoid affecting the pulling and damaging the hose. Position the faucet so that the pull-out hose is on the left, the pull-out hose and two hoses(10) are symmetrical. Pre-install the nut by tool(11). Connect the connector(8) to the joint(9).

Put the weight(12) and clip(13) onto the pull-out hose. Adjust the weight so that the distance is right from the bottom of the faucet to the weight. Insert the pull-out hose into the connector(8).

Ensure the pull-out hose works smoothly. Tighten the nut(6) to secure the faucet by tool(11).

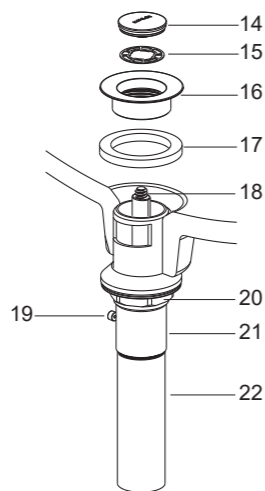
Attach the hoses to water supplies. When facing the faucet, the hose in front should be connected to hot water, the back hose with “COLD” label connected to cold water.

### How to Install the Drain

Remove the stopper(14), flange(16) and washer(17) from the drain body(21). Take off the tailpiece(22). Apply thread tape to tailpiece and install the tailpiece to the drain body. Insert the drain body kit into the lavatory from underside, and make sure the magnetic snap(19) in the drain facing to the back of the lavatory.

Screw the flange(16) with washer into the drain body. Be sure that the magnetic snap points to the back of the lavatory, tighten the locknut(20) on the drain body by wrench. Put the filter(15) into the flange. Screw the stopper(14) on the piston kit(18).

**NOTE:** If needed, apply a ring of plumbers putty around the underside of the drain flange(16), instead of using washer(17).



### 如何安装排水器

将止水塞(14)、法兰盘(16)及垫片(17)从排水本体(21)上取下。从排水本体上取下尾管(22)。用密封胶带(生料带)在排水器尾管的螺纹上缠几圈,再装回到排水本体上。把排水本体组件从脸盆下方插到脸盆中,磁扣接头(19)朝脸盆后方。

把法兰盘(16)带垫片旋到排水本体中。确保磁扣接头指向脸盆后方,用扳手拧紧排水本体上的锁紧螺母(20)。将滤网垫片(15)放入法兰盘中。把止水塞(14)旋到活塞组件(18)上。

**注意:** 如果需要,可直接在法兰盘(16)底面沿周围涂一圈密封油灰,或其他密封剂,而不使用垫片(17)。

将提拉线缆末端(23)与线缆排水器的磁扣接头(19)相连接,并确保卡扣扣紧。

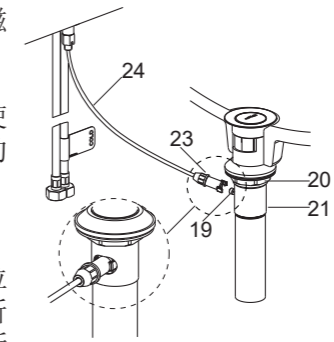
**注意:** 在锁紧螺母拧紧后,如法兰盘使用密封油灰,则不可以调整排水本体的位置,否则会破坏油灰密封的密封性。同时去除多余油灰。

在排水器安装完成后,请务必检查提拉线缆(24)是否正确安装,避免过于曲折或打结缠绕,确保提拉顺畅。如下图所示。

错误布线  
Wrong Wiring



正确布线  
Correct Wiring



Install the cable end(23) into the magnetic snap(19), ensure the buckle is locked.

**NOTE:** Do not reposition the drain if plumbers putty applied after the locknut is tightened, or you may break the putty seal. Wipe away excess plumbers putty.

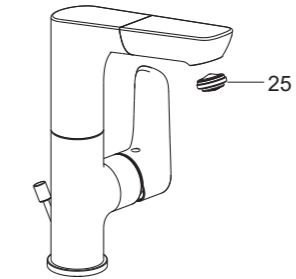
After the installation, please check if the cable(24) is connected properly. Do not overbend or twine the cable as shown.

## 安装结果检查

检查并确保所有衔接处都已拧紧,确保手柄在关的位置。打开主水源和排水系统,检查并修理有漏水的接口。

将起泡器(25)取下。打开水龙头,让水流约一分钟以清除杂质。冲洗起泡器。关闭水龙头,重新装回起泡器。

**注意:** 请检查并确保在抽拉过程中重锤和软管以及提拉线缆之间互不干涉,如有必要请调整位置。



## INSTALLATION CHECKOUT

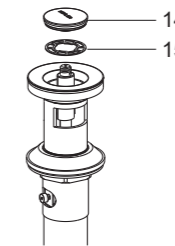
Ensure that all coupling nuts are tight. Ensure that the handle is in the off position. Turn on the main water supply and drain, and check for leaks. Repair as needed.

Remove the aerator(25). Turn on the faucet, run hot and cold water about one minute to remove any debris. Remove any debris from the aerator. Shut off the faucet. Reinstall the aerator.

**NOTE:** Ensure the weight will not interfere with hose or cable. Adjust it if needed.

## 如何清理排水器

逆时针旋下止水塞(14),取出并清理滤网垫片(15)。重新装回滤网垫片和止水塞。



## How to Clean the Drain

Turn counter-clockwise the stopper(14). Remove and clear the filter(15). Reinstall the filter and stopper.

## 使用说明

将手柄轻轻提起,顺时针旋转为冷水,逆时针旋转为热水。

## HANDLE OPERATION

Lift the handle gently. Turn clockwise for cold water, turn counter-clockwise for hot water.

## 清洗说明

适用于所有加工处理过的表面:以中性肥皂水清洗镀层表面,再以干净软布彻底擦干整个表面,许多清洁剂比如氨水、去污粉及洁厕灵等,会对电镀表面造成伤害,切忌使用。

有磨损性的清洁用具或清洁剂也不可适用于科勒牌的水龙头及其配件上。

## CLEANING INSTRUCTIONS

All Finishes: Clean the finish with mild soap and warm water. Wipe entire surface completely dry with clean soft cloth. Many cleaners may contain chemicals, such as ammonia, chlorine, toilet cleaner etc. which could adversely affect the finish and are not recommended for cleaning.

Do not use abrasive cleaners or solvents on Kohler faucets and fittings.