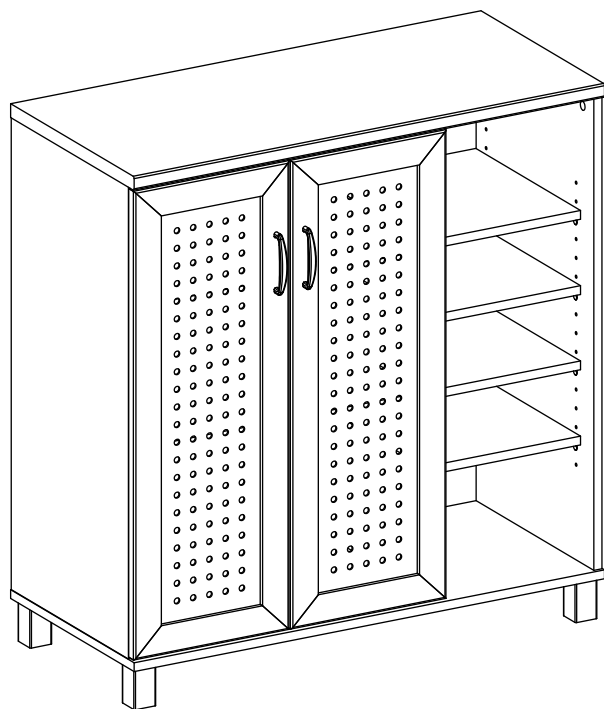




Sato Sangyo
www.satosangyo.com

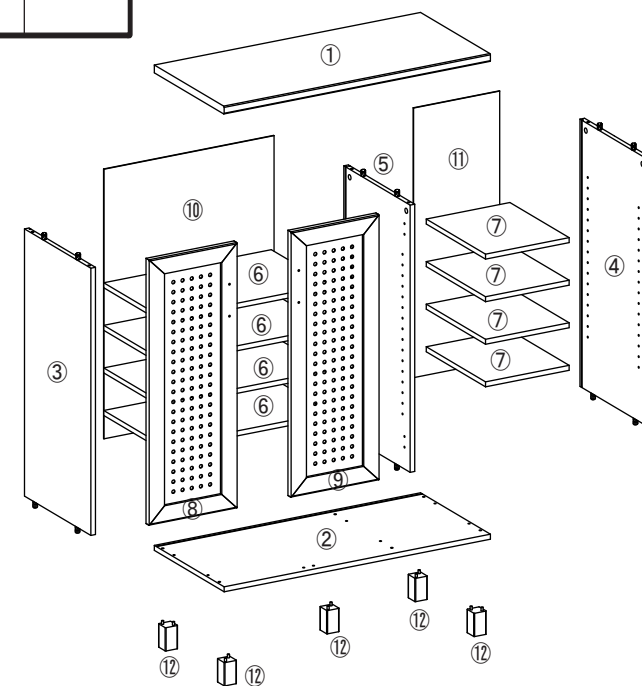
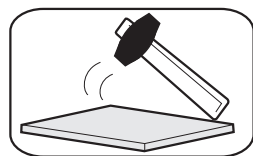
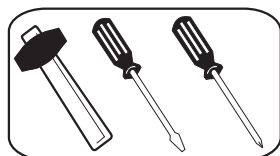
SATOK90-90D

190927KAI

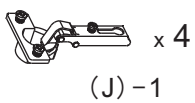
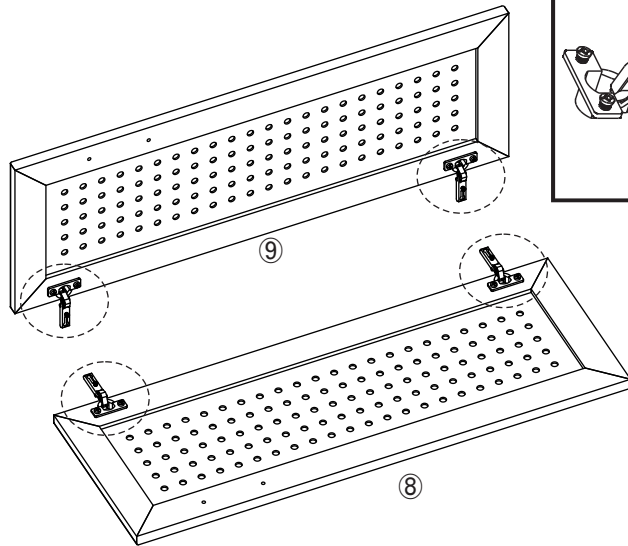
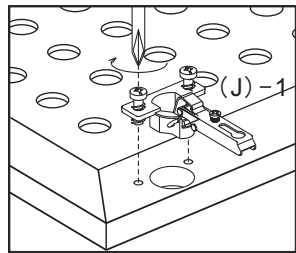


Hardware	Quantity (PCS)	Quantity Check
(A)	6	
(B)	6	
(C)	32	
(D)	1	
(E)	2	
(F)	8	
(G)	8	
(H)	2	
(I)	2	
(J)	4	
(K)	6	
(L)	6	
(M)	5	

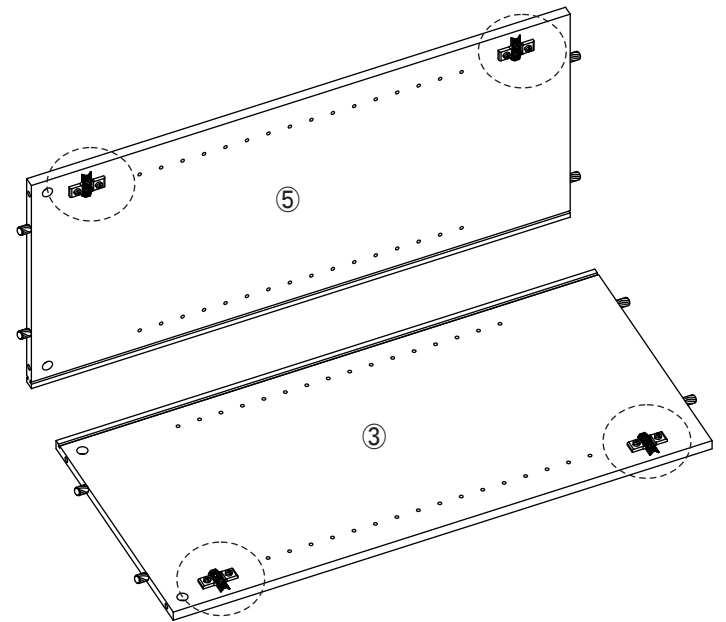
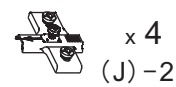
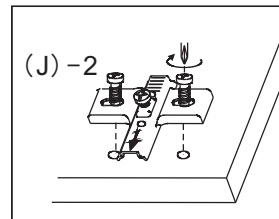
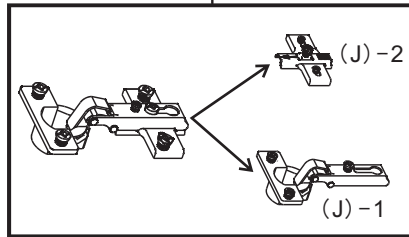
Parts No	Quantity (PCS)	Quantity Check
①	1	
②	1	
③	1	
④	1	
⑤	1	
⑥	4	
⑦	4	
⑧	1	
⑨	1	
⑩	1	
⑪	1	
⑫	5	



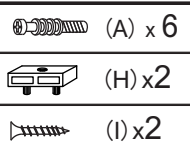
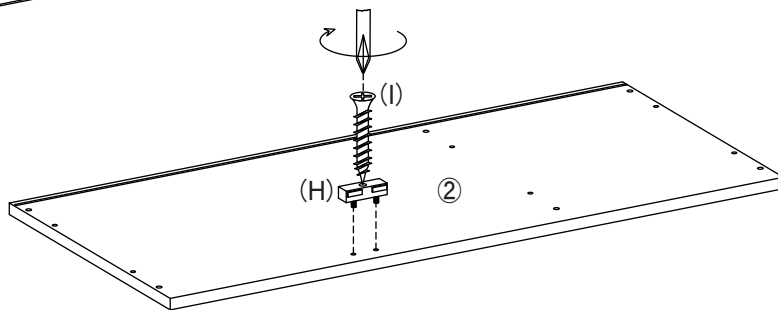
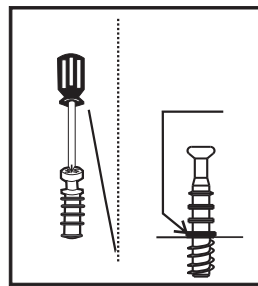
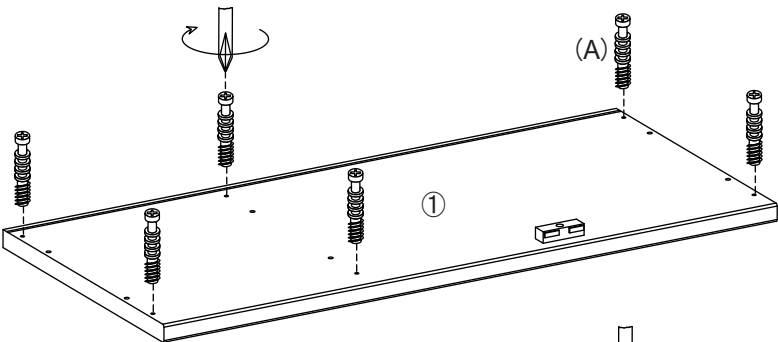
STEP 1



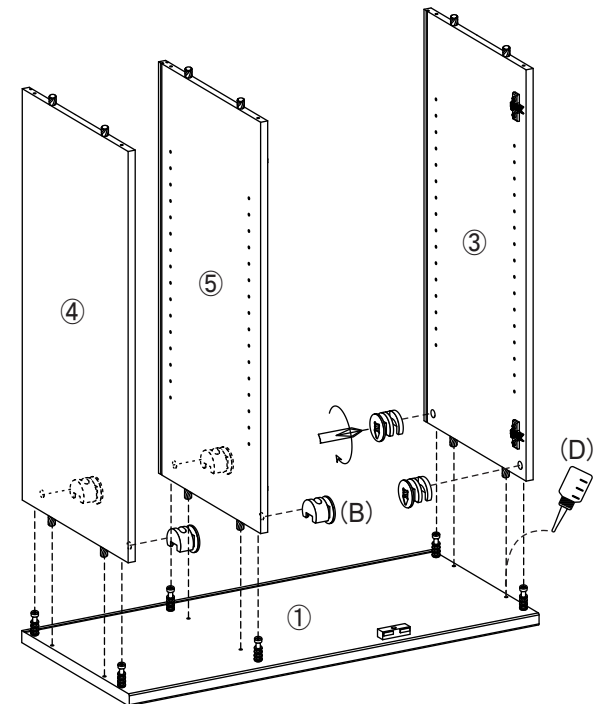
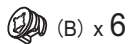
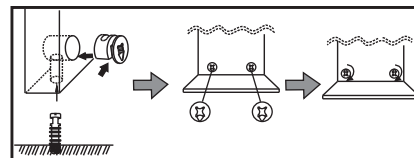
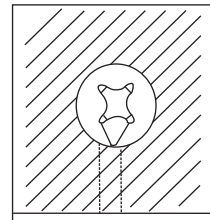
STEP 2



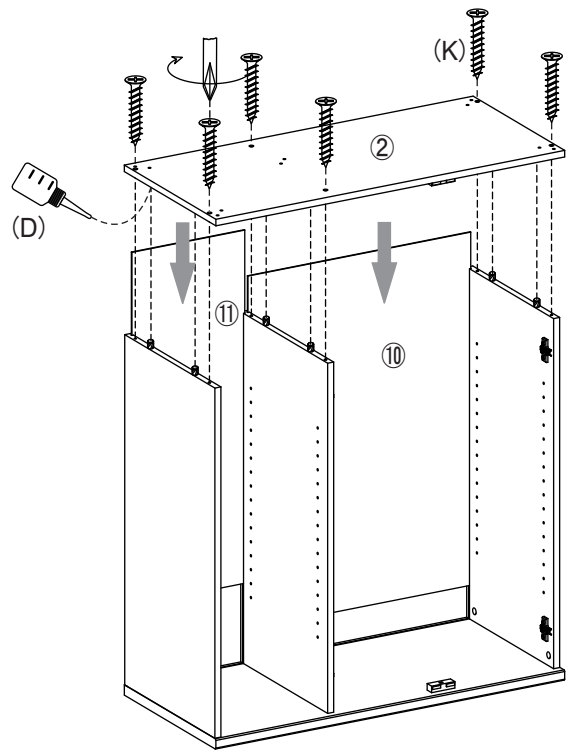
STEP 3



STEP 4

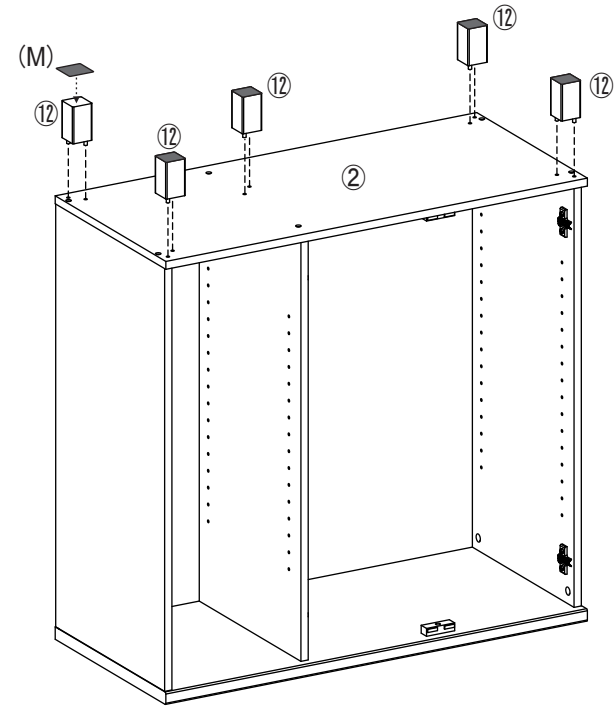


STEP
5



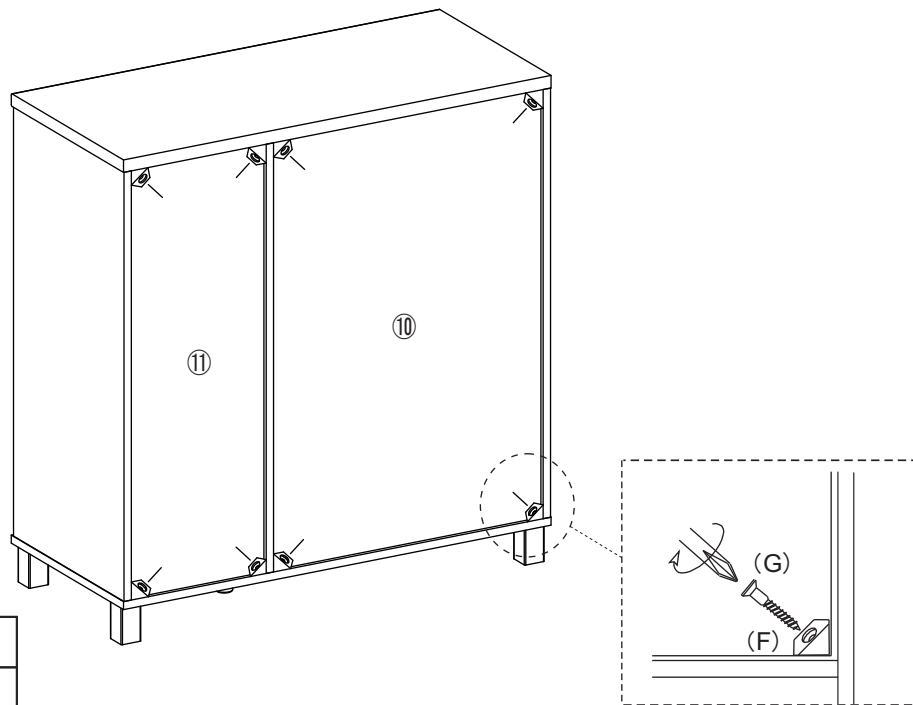
➤ (K) x 6

STEP
6



■ (M) x 5

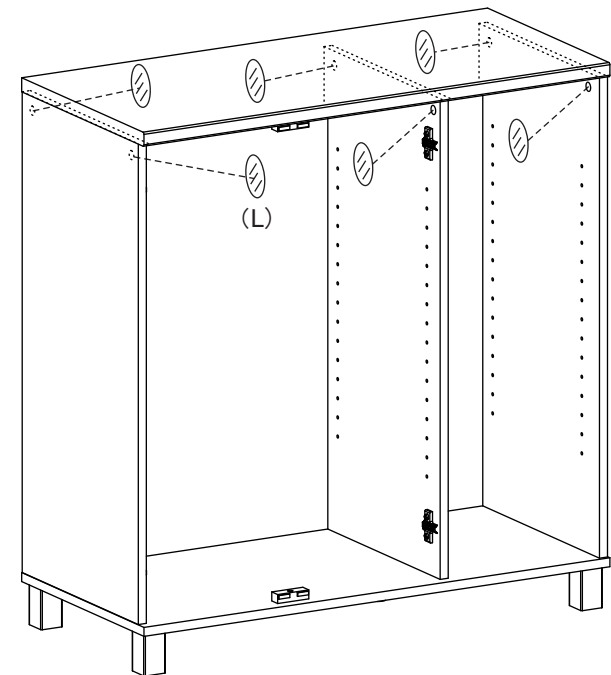
STEP
7



⊕ (F) x 8

➤ (G) x 8

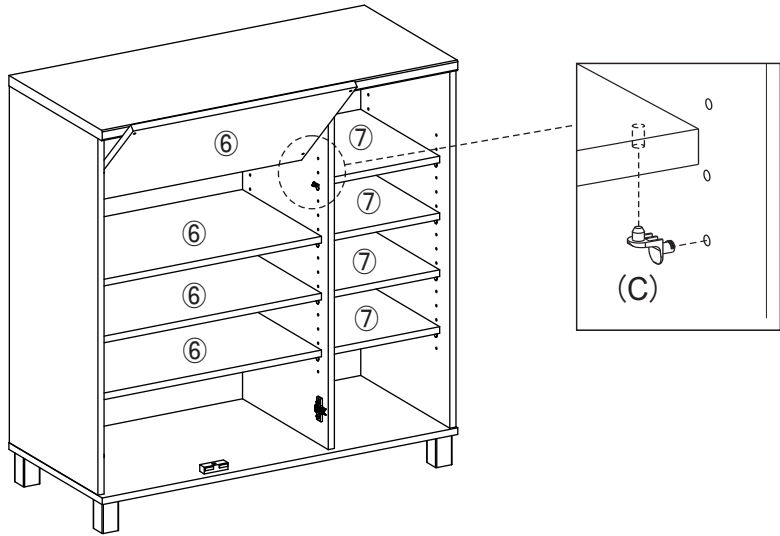
STEP
8



⊕ (L) x 6

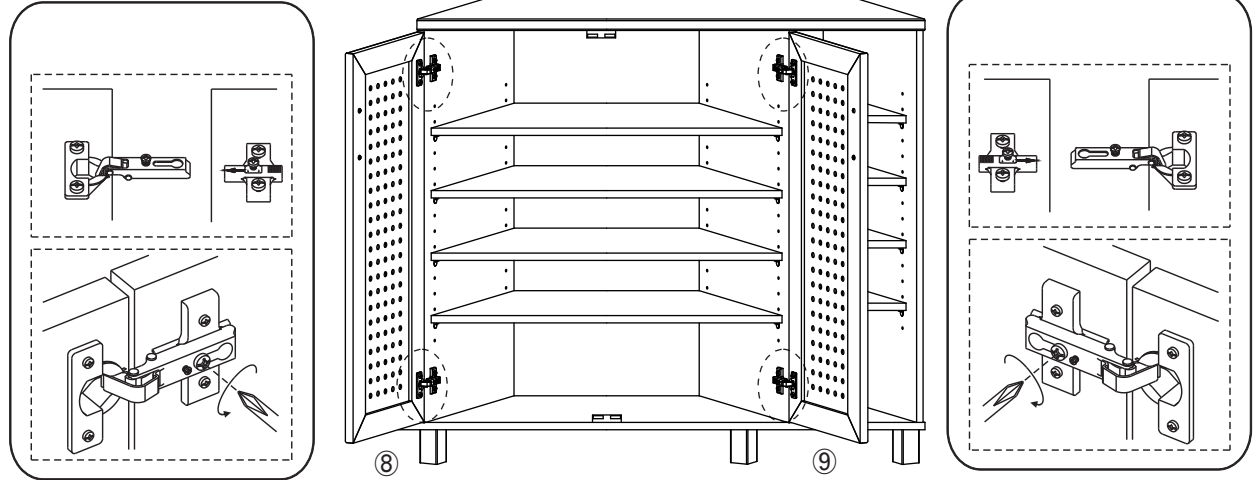
STEP

9

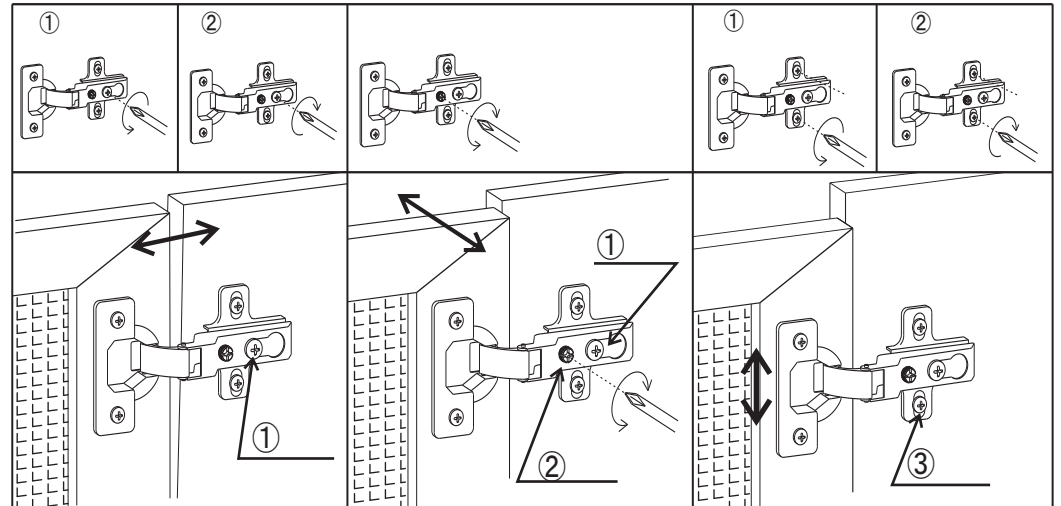
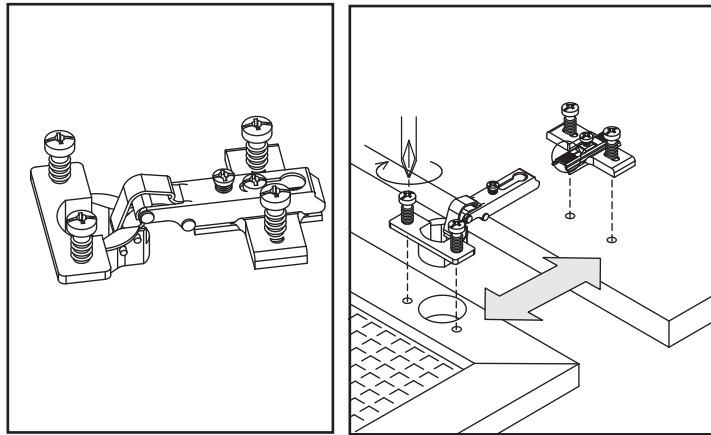
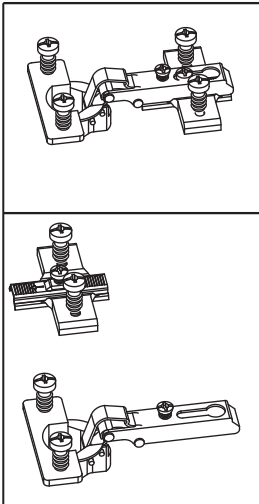


STEP

10



(C) x 32



STEP
11

