

Industrial shaft seals



SI conversion table

Quantity	Unit	Conversion			
Length	inch	1 mm	0.039 in.	1 in.	25,40 mm
	foot	1 m	3.281 ft.	1 ft.	0,3048 m
	yard	1 m	1.094 yd.	1 yd.	0,9144 m
	mile	1 km	0.6214 mile	1 mile	1,609 km
Velocity, speed	foot per second	1 m/s	3.28 ft/s	1 ft/s	0,30480 m/s
	foot per minute	1 m/s	196.8504 ft/min	1 ft/min	0,00508 m/s
	mile per hour	1 km/h	0.6214 mile/h (mph)	1 mile/h (mph)	1,609 km/h
Force	pound-force	1 N	0.225 lbf.	1 lbf.	4,4482 N
Pressure, stress	pounds per square inch	1 MPa	145 psi	1 psi	6,8948 × 10 ³ Pa
Temperature	° (degree)	Celsius	$t_c = 0,555 (t_f - 32)$	Fahrenheit	$t_f = 1,8 t_c + 32$

© SKF, DURATEMP, SPEEDI-SLEEVE and WAVE are registered trademarks of the SKF Group.

© SKF Group 2013

The contents of this publication are the copyright of the publisher and may not be reproduced (even extracts) unless prior written permission is granted. Every care has been taken to ensure the accuracy of the information contained in this publication but no liability can be accepted for any loss or damage whether direct, indirect or consequential arising out of the use of the information contained herein.

The data in this publication may differ from that provided in earlier publications because of redesign, technological developments or revised methods of calculation. SKF reserves the right to make continuing improvements to SKF products without prior notice with respect to materials, design and manufacturing methods, as well as changes necessitated by technological developments.

PUB SE/P1 10919/2 EN · June 2013

This publication supersedes publication 5300.

1	Product data – general.....	11	1
2	Radial shaft seals.....	47	2
3	Cassette seals.....	321	3
4	Wear sleeves.....	327	4
5	Track pin seals.....	373	5
6	Metal face seals.....	379	6
7	V-ring seals.....	389	7
8	Axial clamp seals.....	471	8
9	Product index.....	482	9

This is SKF

From one simple but inspired solution to a misalignment problem in a textile mill in Sweden, and fifteen employees in 1907, SKF has grown to become a global industrial knowledge leader. Over the years we have built on our expertise in bearings, extending it to seals, mechatronics, services and lubrication systems. Our knowledge network includes 46 000 employees, 15 000 distributor partners, offices in more than 130 countries, and a growing number of SKF Solution Factory sites around the world.



Research and development

We have hands-on experience in over forty industries, based on our employees' knowledge of real life conditions. In addition our world-leading experts and university partners who pioneer advanced theoretical research and development in areas including tribology, condition monitoring, asset management and bearing life theory. Our ongoing commitment to research and development helps us keep our customers at the forefront of their industries.



SKF Solution Factory makes SKF knowledge and manufacturing expertise available locally, to provide unique solutions and services to our customers.

Meeting the toughest challenges

Our network of knowledge and experience along with our understanding of how our core technologies can be combined helps us create innovative solutions that meet the toughest of challenges. We work closely with our customers throughout the asset life cycle, helping them to profitably and responsibly grow their businesses.

Working for a sustainable future

Since 2005, SKF has worked to reduce the negative environmental impact from our own operations and those of our suppliers. Our continuing technology development introduced the SKF BeyondZero portfolio of products and services which improve efficiency and reduce energy losses, as well as enable new technologies harnessing wind, solar and ocean power. This combined approach helps reduce the environmental impact both in our own operations and in our customers'.



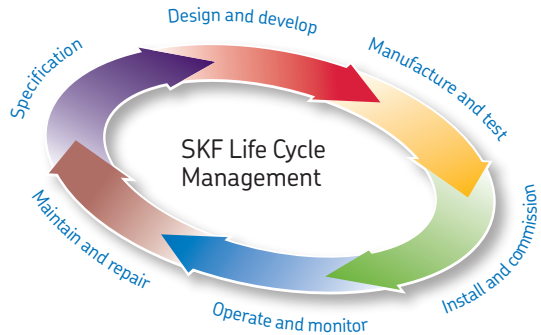
Working with SKF IT and logistics systems and application experts, SKF Authorized Distributors deliver a valuable mix of product and application knowledge to customers worldwide.



SKF – the knowledge engineering company

Our knowledge – your success

SKF Life Cycle Management is how we combine our technology platforms and advanced services, and apply them at each stage of the asset life cycle, to help our customers to be more successful, sustainable and profitable.



Working closely with you

Our objective is to help our customers improve productivity, minimize maintenance, achieve higher energy and resource efficiency, and optimize designs for long service life and reliability.

Innovative solutions

Whether the application is linear or rotary or a combination of the two, SKF engineers can work with you at each stage of the asset life cycle to improve machine performance by looking at the

entire application. This approach doesn't just focus on individual components like bearings or seals. It looks at the whole application to see how each component interacts with the next.

Design optimization and verification

SKF can work with you to optimize current or new designs with proprietary 3-D modeling software that can also be used as a virtual test rig to confirm the integrity of the design.



Bearings

SKF is the world leader in the design, development and manufacture of high performance rolling bearings, plain bearings, bearing units and housings.



Machinery maintenance

Condition monitoring technologies and maintenance services from SKF can help minimize unplanned downtime, improve operational efficiency and reduce maintenance costs.



Sealing solutions

SKF offers standard seals and custom engineered sealing solutions to increase uptime, improve machine reliability, reduce friction and power losses, and extend lubricant life.



Mechatronics

SKF fly-by-wire systems for aircraft and drive-by-wire systems for off-road, agricultural and forklift applications replace heavy, grease or oil consuming mechanical and hydraulic systems.



Lubrication solutions

From specialized lubricants to state-of-the-art lubrication systems and lubrication management services, lubrication solutions from SKF can help to reduce lubrication related downtime and lubricant consumption.



Actuation and motion control

With a wide assortment of products – from actuators and ball screws to profile rail guides – SKF can work with you to solve your most pressing linear system challenges.

Contents

This is SKF	2
SKF – the knowledge engineering company	4
Foreword	9
SKF industrial shaft seals and accessories	10
1 Product data – general	11
Industrial shaft seals	12
Profile overview selection	13
Radial shaft seals	13
Wear sleeves	15
Axial shaft seals	16
Selection of seal design and material ...	17
Grease retention	17
Oil retention	18
Contaminant exclusion	19
Retention and exclusion	20
Separating two liquids	21
Circumferential and rotational speed	22
Pressure differentials	23
Limited space	24
Installation restrictions	25
Arrangement	26
Counterface design	27
Axial movement	28
Seal materials	29
Cases and inserts	29
Garter springs	29
SKF Bore Tite Coating	29
Adhesives and bonding agents	29
Sealing lip materials	30
Wear resistance	33
Operating temperatures	34
Chemical resistance	35
Storage and handling of seals	44
General	44
Storage	44
Cleaning and maintenance	45

2 Radial shaft seals	47	Seals for general industrial applications	92
General	50	HMS5 and HMSA10 seals	92
Outside diameter design	54	CRW1, CRWA1, CRWH1 and CRWHA1 seals	104
SKF Bore Tite Coating	54	CRW5 and CRWA5 seals	160
Garter springs	55	HDW1 seals	164
Dimensions	55	CRS1, CRS1H, CRSA1 and CRS1HA seals	168
Tolerances	55	PTFE radial shaft seals	174
Sealing lip design	57	HM and TL seals for grease lubricated applications	178
Auxiliary lips	58	X seals, sealing against housing bore	192
Coaxiality and runout	59	Seals for heavy industrial applications	202
Coaxiality	59	General	202
Runout	61	Metal-cased seals	202
Axial movement	63	Rubber outside diameter seals	207
Permissible speeds	63	Additional design features	211
Lubrication	65	Size options of metal-cased HDS seals and all-rubber HS seals	215
Lubrication of paired arrangements	65	Product tables	217
Friction	66	3 Cassette seals	321
Chemical and thermal resistance	67	General	322
Seals under pressure	69	Design features	323
Shaft requirements	70	Testing	323
General	70	Installation	323
Tolerances	70	SKF Mudblock seal designs MUD5 and MUD7	324
Surface roughness	70	4 Wear sleeves	327
Surface finish	72	General	328
Hardness and surface treatment	72	SKF Speedi-Sleeve	329
Lead-in chamfers	72	Features	329
Housing bore requirements	74	Size range	329
General	74	SKF Speedi-Sleeve Gold	330
Metal-reinforced seals	74	Test results	330
Seals without metal-reinforcement	74	Selecting the right size	330
Tolerances	76	Installing SKF Speedi-Sleeve	331
Surface roughness	76	Removing SKF Speedi-Sleeve	333
Seal installation, general industrial applications	77	Product tables	334
General	77	Wear sleeves for heavy industrial applications (LDSL)	356
Seal installation, heavy industrial applications	79	General	356
Metal-reinforced seals	79	Designs and features	357
Seals without metal reinforcement	80	Using LDSLV designs	358
Split seals	80	Installation	358
Cover plates	82	Removal	358
Multiple HS seal installations	83	Product tables	360
Multiple HDS seal installations	84		
PTFE seals	85		
Protecting the counterface surface against corrosion	87		
Removal	87		
Replacement	87		
Designation system	88		
Metric radial shaft seals	88		
Inch-size radial shaft seals	88		
Assortment and availability	88		

5 Track pin seals	373
General	374
Features and benefits	374
Product tables	376
6 Metal face seals	379
General	380
Design features	380
Lubricant requirements	381
Permissible operating conditions	382
Contaminants	382
Installing HDDF seals	382
General	382
Housing and seal preparation	382
Installation procedure	383
Product tables	384
7 V-ring seals	389
General	390
Features	390
Materials	391
Standard designs	392
Main V-ring functions	393
Other V-ring functions	394
Sliding velocities	395
Coaxiality and runout	396
Misalignment	396
Counterface	397
Counterface treatment	397
Additional counterface information	397
Product table sorting order	398
Shaft requirements	399
Installing V-rings	399
Product tables	400
MVR axial shaft seals	464
General	464
Advantages and user benefits	464
Design and material	464
Temperature range	464
Sizes	464
Installation	465
Product tables	466
8 Axial clamp seals	471
General	472
Designs	472
Design of the sealing arrangement	473
Installation instructions	474
Product tables	476
9 Product index	482

Foreword

This edition of the Industrial shaft seals catalogue supersedes the one published in 2006 (publication number 5300). For this new edition, numerous revisions, additions and enhancements have been made to provide an even more comprehensive guide. Though the aim of this catalogue is to cover a very wide seal assortment, it still only includes a selection of our complete assortment of shaft seals and accessories.

The data in this catalogue may differ from that provided in earlier catalogues because of redesign, technological developments or revised methods of calculation. SKF reserves the right to make continuing improvements to SKF products without prior notice with respect to materials, design and manufacturing methods, as well as changes necessitated by technological developments.

Catalogue overview

In order to emphasize the importance of studying the operating conditions of each application before selecting a sealing solution, this catalogue outlines the most important factors to consider. These are provided in the chapter *Product data – general*, along with basic shaft and housing bore requirements.

SKF industrial shaft seals and accessories are divided into three main groups: radial shaft seals, axial shaft seals and wear sleeves. Different seal types within these groups are described with their respective design, materials and applications.

Product descriptions are followed by product tables. It should be noted, however, that these tables only cover a selection of available sizes. Always contact your SKF sales representative for complete and updated availability information.

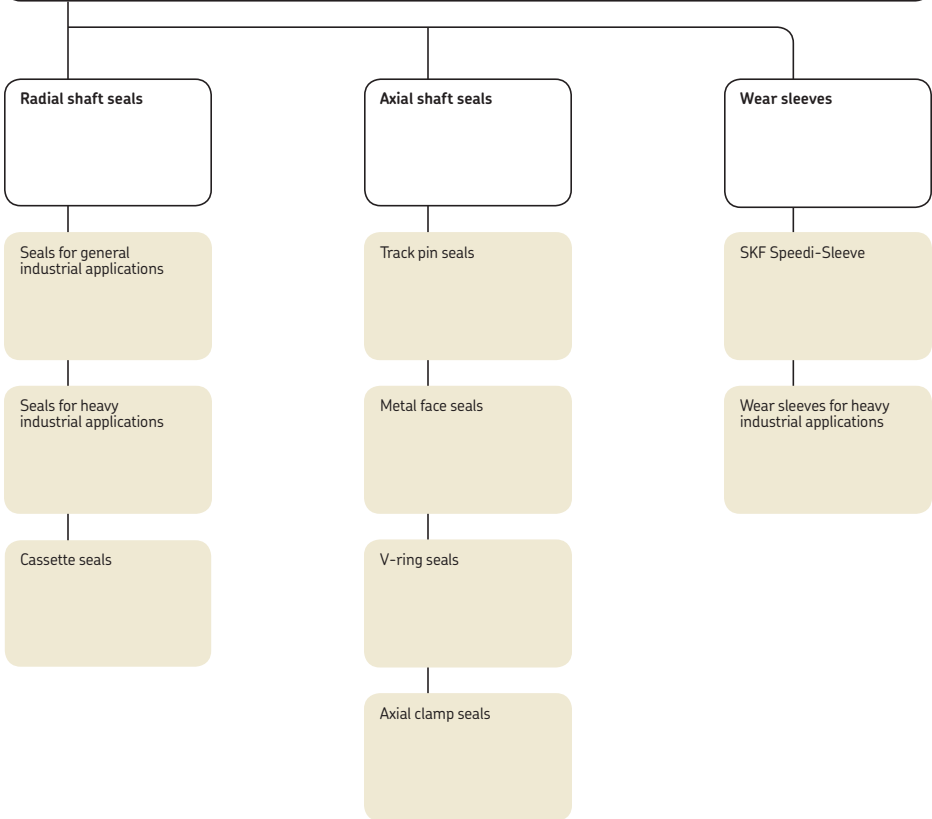
The SKF Interactive Engineering Catalogue

SKF provides this catalogue in electronic format, the *SKF Interactive Engineering Catalogue*, online at www.skf.com.

Units

The units in this catalogue are in accordance with ISO (International Organization for Standardization) standard 1000:1992, and SI (Système International d'Unités).

SKF industrial shaft seals and accessories



Product data – general

Industrial shaft seals	12
Profile overview selection	13
Radial shaft seals	13
Wear sleeves	15
Axial shaft seals	16
Selection of seal design and material	17
Grease retention	17
Oil retention	18
Contaminant exclusion	19
Retention and exclusion	20
Separating two liquids	21
Circumferential and rotational speed	22
Pressure differentials	23
Limited space	24
Installation restrictions	25
Arrangement	26
Counterface design	27
Axial movement	28
Seal materials	29
Cases and inserts	29
Garter springs	29
SKF Bore Tite Coating	29
Adhesives and bonding agents	29
Sealing lip materials	30
Wear resistance	33
Operating temperatures	34
Chemical resistance	35
Storage and handling of seals	44
General	44
Storage	44
Cleaning and maintenance	45

Industrial shaft seals

Industrial shaft seals are used to seal the opening between a rotating and a stationary component, or between two components in relative motion. Primary seal functions include:

- Retain the lubricant
- Exclude contaminants
- Separate two different media
- Seal under pressure

To be effective, industrial shaft seals should operate with a minimum of friction and wear, even under unfavourable operating conditions. In order to meet the requirements of a variety of different applications and operating conditions, SKF industrial shaft seals for rotating machine components are manufactured from many different designs, materials and executions. Each of these designs and material combinations has specific properties, making them suitable for a particular application. The main groups of shaft seals and accessories are:

Radial shaft seals

- Seals for general industrial applications
- Seals for heavy industrial applications
- Cassette seals

Axial shaft seals

- Track pin seals
- Metal face seals
- V-ring seals
- Axial clamp seals

Wear sleeves

- SKF Speedi-Sleeve
- Wear sleeves for heavy industrial applications

Availability

The SKF assortment of industrial shaft seals comprises hundreds of different designs and material combinations. The products shown in this catalogue and listed in the product tables are the more commonly used seal types and sizes.

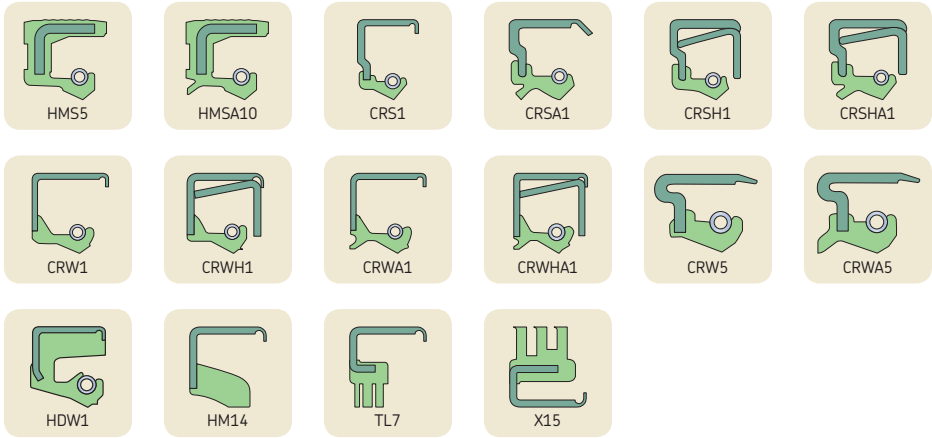
Guidance values

Since several factors simultaneously affect the sealing system and seal performance, all stated values in graphs and tables in this publication should be considered as guidelines only and not as absolute values for practical applications.

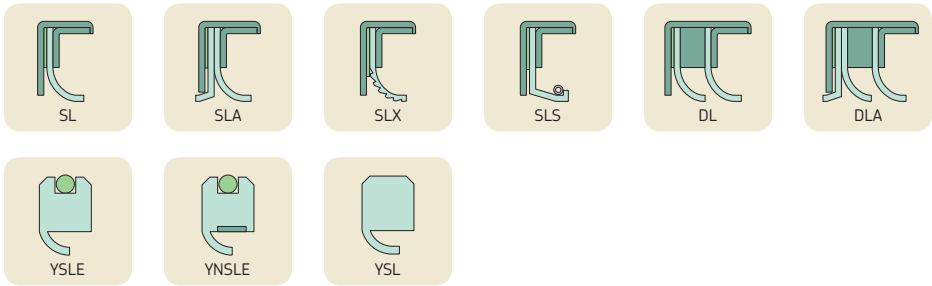
Profile overview selection

Radial shaft seals

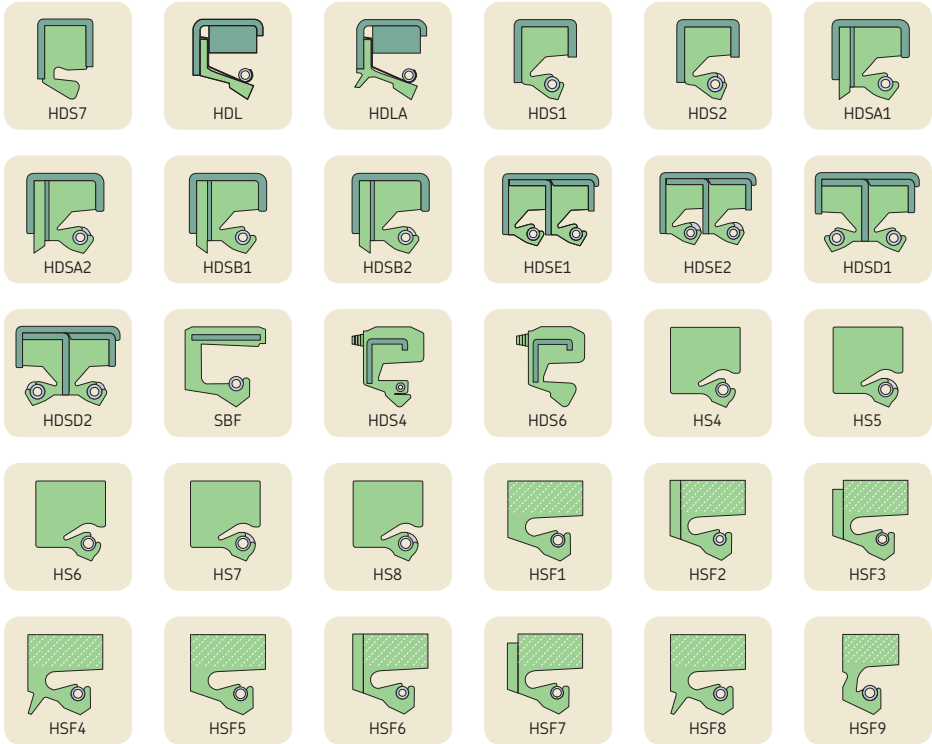
Seals for general industrial applications, elastomeric sealing lip(s)



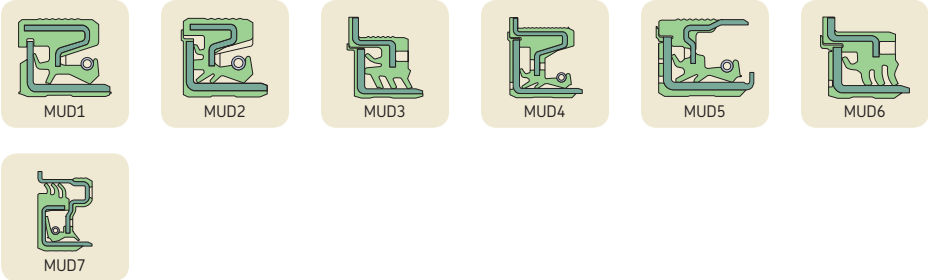
Seals for general industrial applications, PTFE sealing lip(s)



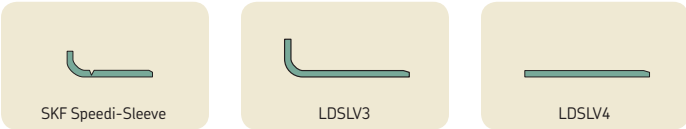
Seals for heavy industrial applications



Cassette seals, SKF Mudblock



Wear sleeves



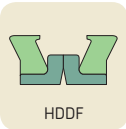
Product data – general

Axial shaft seals

Track pin seals, SKF Trackstar



Metal face seals



V-ring seals



Axial clamp seals

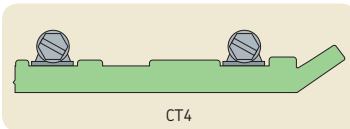
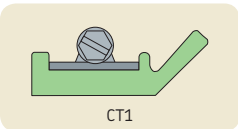


Fig. 1

V-ring

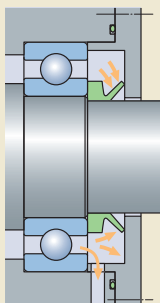


Fig. 2

HMS5 seal

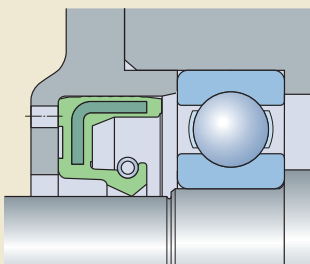
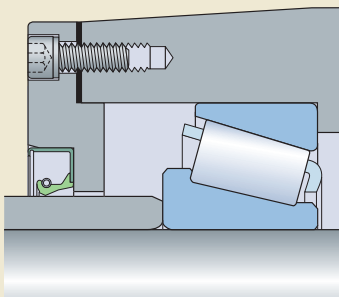


Fig. 3

CRW1 seal



Selection of seal design and material

Selecting an appropriate seal design and material depends on the operating conditions of the application such as:

- temperature
- speed
- pressure differential
- type of lubricant
- vertical or horizontal orientation
- runout and shaft-to-bore misalignment

Because the influence of one operating condition typically dominates the seal selection process, there are no universal rules for determining the appropriate seal type or design for a given application. This section describes how operating conditions affect seal performance and service life and provides guidance on selecting the most appropriate seal for a given application.

Matrix 1 and 2 on **pages 90 to 91** and **198 to 201** list the standard SKF radial shaft seals and their main features and permissible operating conditions.

Grease retention

Greases have a relatively high viscosity and are relatively easy to retain in a bearing arrangement. In many grease lubricated applications, a non-spring-loaded sealing lip design or a V-ring can adequately retain the grease (→ **fig. 1**).

However, more demanding applications may require HMS5 or CRW1 spring-loaded radial shaft seals (→ **figs. 2 and 3**).

When frequent relubrication is required, the lip of at least one of the seals in the sealing arrangement should be directed toward the air side so that excess grease can escape via the sealing lip (→ **fig. 3**). This avoids grease build-up, which can retain heat and limit heat dissipation. For grease lubricated applications, SKF recommends calculating the permissible circumferential speed for oil and halving the result.

Fig. 4

HMS5 seal

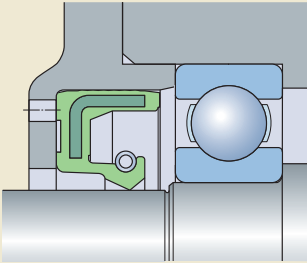


Fig. 5

CRW1 seal

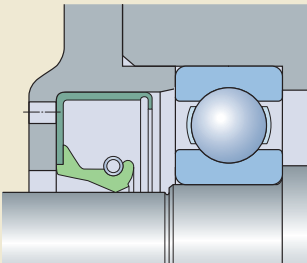


Fig. 6

HDDF metal face seal

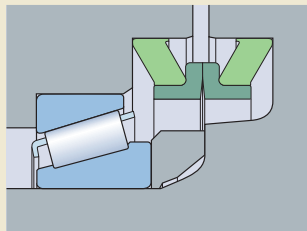
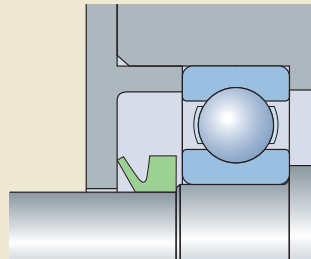


Fig. 7

V-ring



Oil retention

Lubricating oils, particularly relatively low-viscosity oils, are much more difficult to retain than greases. Therefore, HMS5 or CRW1 spring-loaded radial shaft seals (→ **figs. 4 and 5**) are recommended in order to achieve the necessary radial load and resistance to dynamic runout and shaft-to-bore misalignment for a satisfactory sealing performance.

Standard HMS5 seals have a straight lip while CRW1 seals are designed with SKF Wave lips to provide improved pumping ability, regardless of the direction of shaft rotation (→ **fig. 6** on **page 57**). Another way of increasing a seal's pumping ability is to add a helix pattern, i.e. hydrodynamic features, to the sealing lip design.

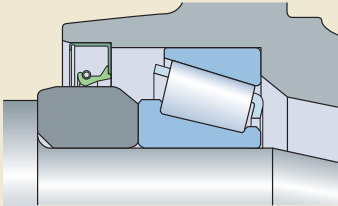
The rubber outside diameter, like the one found on HMS5 seals, helps compensate for small imperfections in the housing bore surface and is therefore recommended when the required housing bore surface is questionable.

For very tough operating conditions, where circumferential speeds are relatively low, metal face seals, like the HDDF seal (→ **fig. 6**), can be used for both oil or grease retention.

V-rings (→ **fig. 7**) may also be used to retain oil, provided they are installed on the oil side and supported axially on the shaft.

Fig. 8

CRW1 seal



Contaminant exclusion

Radial shaft seals that are primarily used for contaminant exclusion should be installed with the lip pointing outward. When additional protection is needed, SKF recommends a seal design that incorporates an auxiliary lip, for example the HMSA10 or CRWA1 seals.

For tough operating conditions, SKF Wave seals (→ fig. 8) with hydrodynamic features are recommended. To further enhance sealing efficiency, two single-lip seals can be arranged in tandem (→ fig. 9) or a double-lip seal, like the HDSE1 seal, can be used (→ fig. 10).

V-rings (→ fig. 11) are used primarily to exclude contaminants. These seals, which act as flingers, rotate with the shaft and seal against a surface that is perpendicular to the shaft.

V-rings and axial clamp seals are often used as secondary seals to protect the primary seals from coarse contaminants.

None of these seal arrangements are intended for oil retention.

Fig. 9

CRW1 seals in tandem

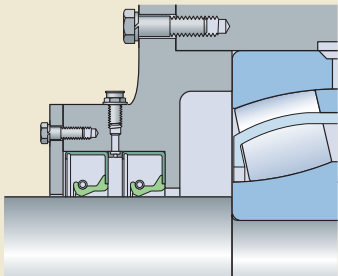


Fig. 10

HDSE1 seal

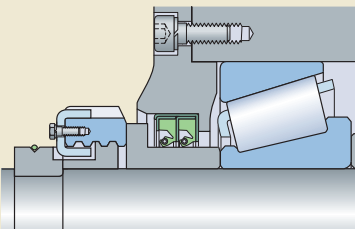


Fig. 11

V-ring

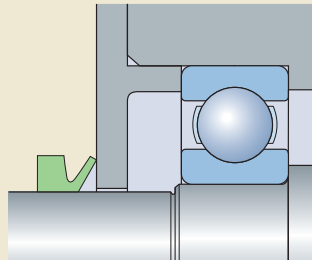
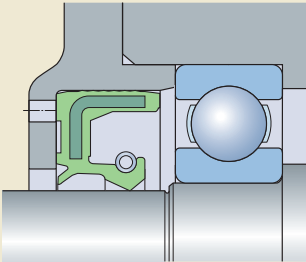


Fig. 12

HMSA10 seal



Retention and exclusion

In many applications, the exclusion of contaminants is just as important as lubricant retention. Seals with an auxiliary lip, like the HMSA10 seals (→ fig. 12), are appropriate for these applications.

Another option is to use two seals installed in opposite directions (→ figs. 13 and 14) or two opposing V-rings (→ fig. 15) with a spacing washer.

Under extremely tough operating conditions, SKF recommends using HDDDF metal face seals (→ fig. 6 on page 18), provided that the sliding velocity of the mating surfaces lies within the permissible range.

Fig. 13

Two seals in opposite direction

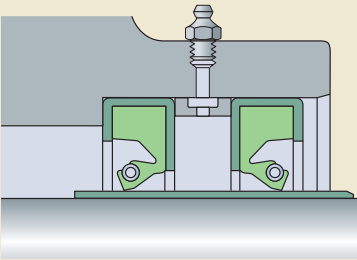


Fig. 14

Two seals in opposite direction

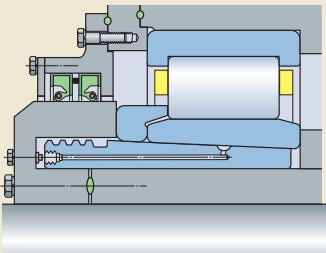


Fig. 15

V-ring

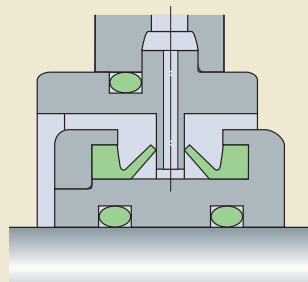
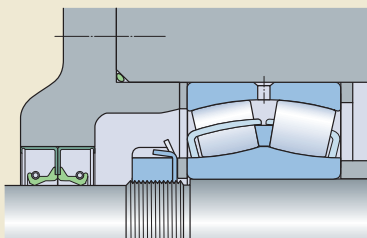


Fig. 16

CRW1 seals



Separating two liquids

When an application has to keep two liquids from coming into contact with each other, there are two suitable solutions. These solutions, which depend on the availability of space and required efficiency, include:

- the use of two separate seals (→ **figs. 16 and 17**), positioned with their lips facing in opposite directions
- the use of HSD1 double-lip seals (→ **fig. 18**)

In both alternatives, the sealing lips must be spring-loaded. When using an HSD1 seal, it is very important to provide a means to lubricate the sealing lips, i.e. the cavity between the sealing lips must be filled with grease prior to installation or during operation via lubrication holes drilled through the metal case into the cavity.

Fig. 17

HMS5 seals

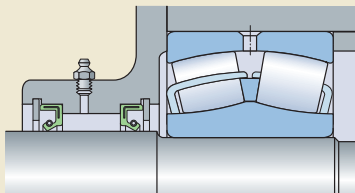
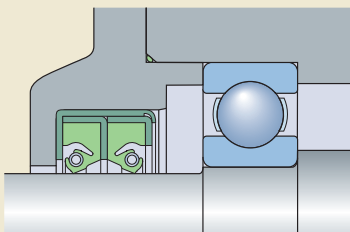


Fig. 18

HSD1 seal



Circumferential and rotational speed

The permissible speed of a seal is determined by its design and sealing lip material as well as the material and condition of the shaft. All of these factors influence the heat generation at the seal counterface. Lubrication of the sealing lip and the characteristics of the lubricant also have a direct influence on heat generation because they have a direct impact on heat dissipation.

Diagram 1 compares the permissible circumferential speeds for various seal designs assuming normal seal operation, grease or oil retention and no pressure differential across the seal.

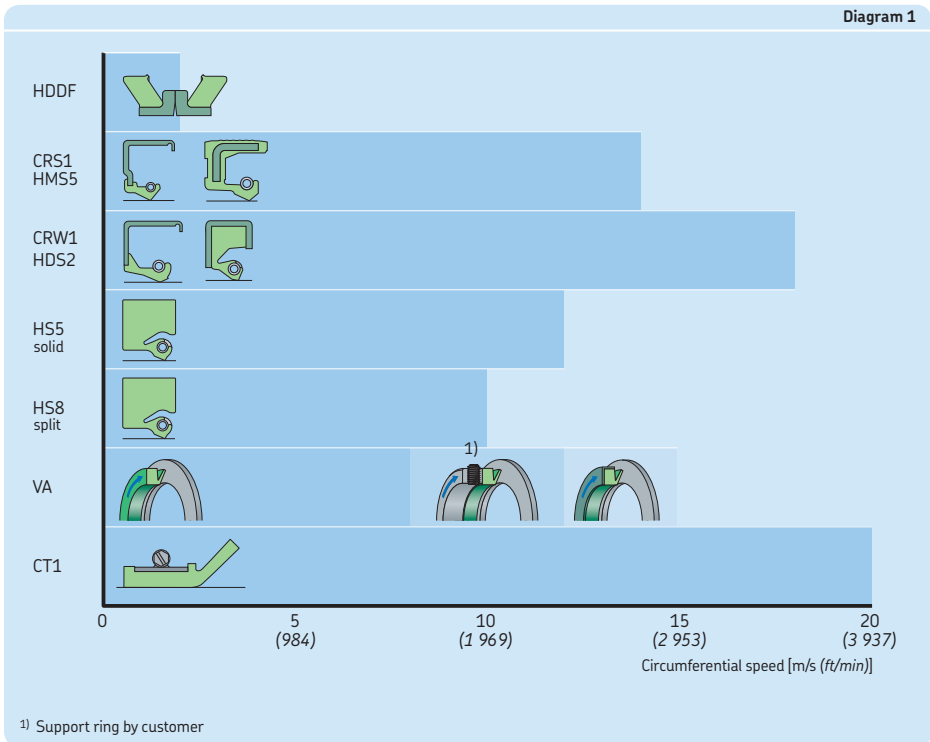
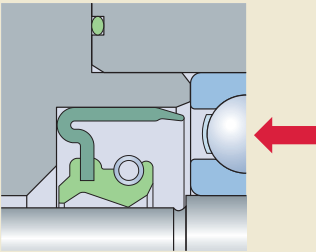


Fig. 19

CRWA5 seal



Pressure differentials

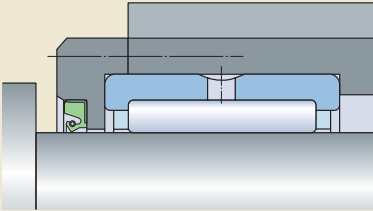
When subjected to a pressure differential, the seal must resist the additional radial load generated by the pressure. If the seal is not designed to resist the pressure, it will be forced against the shaft, increasing the radial load, underlip temperature, friction and wear of the seal and the counterface, resulting in shortened service life.

Standard seals are rated for no more than 0,07 MPa at 5 m/s (10 psi at 1 000 ft/min), but SKF offers CRW5 and CRWA5 pressure profile seals that can accommodate 0,34 MPa at 5 m/s (50 psi at 1 000 ft/min). Beyond 0,34 MPa (50 psi), SKF offers a line of special order PTFE seals that can accommodate more than 3,5 MPa (500 psi).

In applications with pressure differentials, shaft seals should be secured axially from the low-pressure side to prevent them from moving axially. This can be accomplished by installing the seal into a counterbore (→ fig. 19) or by using a retaining ring.

Fig. 20

Special seal design



Limited space

In many cases, the available space is insufficient for a radial shaft seal having dimensions in accordance with ISO 6194-1 or DIN 3670. In these situations, special radial shaft seal designs must be used (→ fig. 20).

V-rings (→ fig. 21) are also suitable for applications with limited space because they can be positioned outside the actual seal position. V-rings seal axially by exerting light pressure against the counterface that can be a stationary or rotating machine component.

In applications with large shaft diameters, HS8 seals are an appropriate choice when space is limited (→ fig. 22).

Fig. 21

V-ring seal

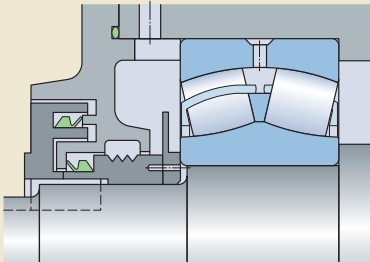


Fig. 22

HS8 seal

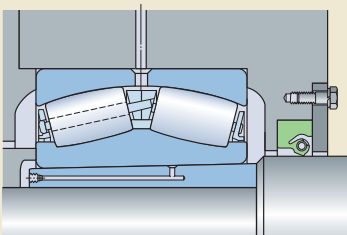


Fig. 23

V-ring seal

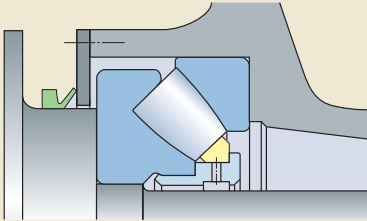
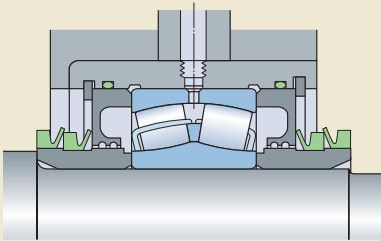


Fig. 24

V-ring seals



Installation restrictions

In applications where the seal cannot be installed via the shaft end, a V-ring or any of the split HSF or HS designs can be used (→ **pages 208 to 210**).

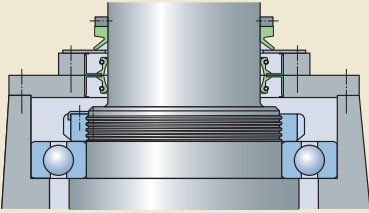
After being positioned on the shaft, HS and HSF seals are held together by a spring and spring connector. These seals should be retained axially in the housing bore by a one-piece or split cover plate.

Split HS radial shaft seals are suitable for circumferential speeds up to 7,5 or 10 m/s (1 480 or 1 970 ft/min), depending on their design, and are available for shaft diameters up to approximately 4 570 mm (180 in.).

Since V-rings are elastic, they can be stretched and are therefore easy to install, even in applications where they have to be passed over other components (→ **fig. 23**). However, in the event that replacing a V-ring would require the time consuming removal of several components, it is advantageous to install one or two replacement V-rings on the shaft from the outset (→ **fig. 24**). When the time comes to replace a worn V-ring, it can be cut and removed and the replacement V-ring can be pushed into position.

Fig. 25

V-ring seal



Arrangement

Seals installed on vertical shafts are usually more exposed to contaminants like rain water than seals on horizontal shafts. Oil retention is also more challenging for seals installed on vertical shafts. In general, however, all seals listed in the product tables are suitable for use on both horizontal and vertical shafts.

V-rings (→ **figs. 25** and **26**) have an interference fit on the shaft and rotate with it. They act as flingers and are therefore particularly suitable as both primary and secondary seals on vertical shafts. Highly efficient sealing arrangements, like those found in submersible pumps, can be achieved using radial shaft seals in tandem with a V-ring for additional protection against contaminants (→ **fig. 27**).

At relatively low speeds, HDDF metal face seals (→ **fig. 28**) effectively retain grease or oil and prevent the ingress of contaminants on vertical shafts.

Fig. 26

V-ring seal

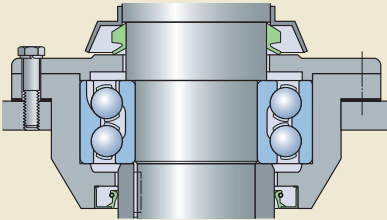


Fig. 27

CRW5 seals + V-ring seal

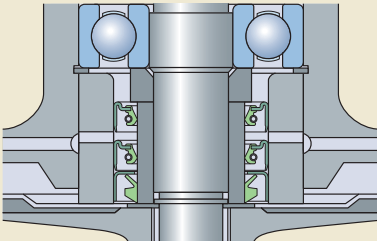
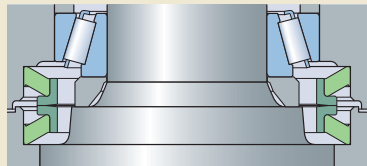


Fig. 28

HDDF metal face seal



Counterface design

The service life and performance of a seal are largely influenced by:

- shaft material and hardness
- shaft surface finish and tolerance grade
- dynamic runout and shaft-to-bore misalignment

A shaft surface that is too smooth can lead to lubricant starvation, while a shaft surface that is too rough can accelerate sealing lip wear. The shaft surface should be machined without directionality as directionality can cause leakage depending on the direction of rotation. Dynamic runout and shaft-to-bore misalignment cause an uneven radial load on the circumference of the sealing lip. As a result, the sealing lip, particularly at high speeds, will not be able to follow the shaft. This, in turn, will result in a gap between the sealing lip and the shaft, causing reduced sealing ability.

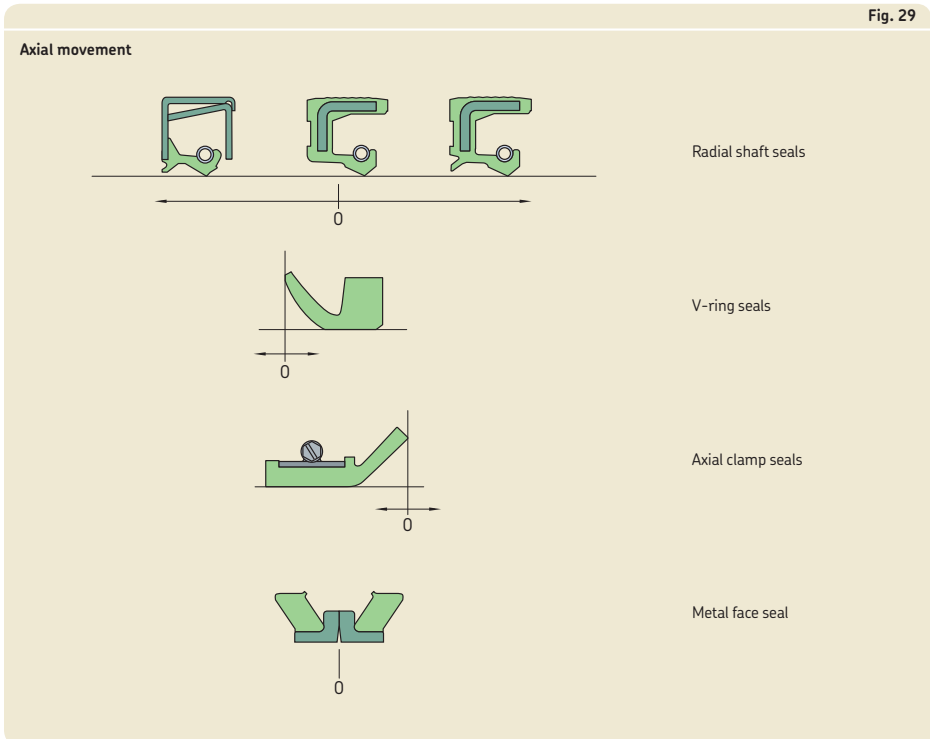
Unlike radial shaft seals, V-rings and axial clamp seals are not affected by normal coaxiality deviations or runout.

Axial movement

Axial movement of the shaft relative to the housing bore does not detract from the sealing ability of radial shaft seals (→ **fig. 29**), provided that the total surface in contact with the lip has the same quality with respect to hardness and surface finish.

The amount of axial movement that can be accommodated by V-rings, axial clamp seals and HDDF seals is limited by the permissible displacement of the seal relative to its counterface.

Fig. 29



Seal materials

Cases and inserts

Metal cases and reinforcements for SKF radial shaft seals are manufactured standard from deep-drawn carbon sheet steel. The exposed surfaces are treated to protect them from corrosion during normal handling and storage.

SKF radial shaft seals that will be used in corrosive environments can also be designed with a stainless steel case on request.

Garter springs

The garter springs on SKF radial shaft seals are manufactured standard from cold-drawn steel wire. Exceptions are the metal-cased HDS seals, the all-rubber HS seals and the HMS5/HMSA10 seals made from fluoro rubber that are designed with stainless steel garter springs.

SKF Bore Tite Coating

SKF Bore Tite Coating is a water-based acrylic sealant available on most SKF metal-cased seals. The sealant is used as a coating on the outside diameter of the seal. SKF Bore Tite Coating is pliable with a thickness of 0,03 to 0,07 mm (*0.0012 to 0.0028 in.*) to compensate for small imperfections in the housing bore surface. The general guideline in Rubber Manufacturers Association (RMA) is, that if the bore surface texture is greater than $2,5 \mu\text{m}$ (*100 \mu\text{in.}*) R_a , a sealant should be used. This sealant can be used at temperatures up to $200 \text{ }^\circ\text{C}$ (*390 }^\circ\text{F}*) and is compatible with most oils, greases, aqueous acids and alkalis, alcohols and glycols. Please note that SKF Bore Tite Coating is not compatible with aromatics, ketones or esters. Contact with these substances will, however, have little or no effect if wiped off quickly.

Adhesives and bonding agents

Adhesives and bonding agents are used to achieve static sealing ability and satisfactory bonding between metal and elastomers in seal designs. Both of them can be solvent or water based depending on the metal and elastomer to be bonded.

Sealing lip materials

In addition to its design, the material of a sealing lip can have a significant impact on sealing performance and reliability. SKF, therefore, manufactures seals using a variety of sealing lip materials to meet the needs of different applications.

The sealing lips of SKF seals are generally made of elastomer materials. However, thermoplastics like polytetrafluoroethylene (PTFE) are gaining in importance. PTFE is mainly used for special seals intended for particular applications where improved thermal or chemical resistance is demanded.

SKF industrial shaft seals are generally manufactured from the materials listed in **table 1**. These materials have characteristics that make them particularly suitable for specific applications.

By changing the actual formulation and blending, it is possible to modify the characteristics of the elastomers relative to:

- resistance to swelling
- elasticity
- chemical resistance
- thermal resistance
- behaviour in the cold
- gas permeability

Details about the chemical resistance of sealing lip materials to various media encountered in operation are provided in the section *Chemical resistance*, **page 35**.

A code is used to identify the sealing lip material of SKF seals (→ **table 1**). The code also appears in the designations of metric radial shaft seals. For seals manufactured from a combination of materials, a combination of code letters is used, like RD (nitrile rubber and SKF Duralip).

Table 1

SKF sealing lip materials

Composition of basic material	Designation according to SKF	Designation according to	
		ISO 1629 ISO 1043-1 DIN 7728 Part 1	ASTM ¹⁾ D1418 ASTM D1600
Acrylonitrile-butadiene rubber (nitrile rubber)	R, RG	NBR	NBR
Hydrogenated acrylonitrile-butadiene rubber (SKF Duratemp)	H	HNBR	HNBR
Carboxylated nitrile rubber (SKF Duralip)	D	XNBR	XNBR
Polyacrylate elastomer	P	ACM	ACM
Silicone rubber	S	VMQ	VMQ
Fluoro rubber (SKF Duralife ²⁾)	V	FPM	FKM
Polytetrafluoroethylene	T	PTFE	PTFE

¹⁾ American Society for Testing and Materials

²⁾ Previously named *LongLife*

Nitrile rubber (R)

The term nitrile rubber is used in this publication for acrylonitrile-butadiene rubber (NBR). This material has very good engineering properties and is a general-purpose sealing lip material. It is a copolymer manufactured from acrylonitrile and butadiene that provides good resistance to the following media:

- Most mineral oils and greases with a mineral oil base
- Normal fuels like gasoline, diesel and light heating oils
- Animal and vegetable oils and fats and hot water

Nitrile rubber also tolerates short-term dry running of the sealing lip. The permissible operating temperature range of nitrile rubber is -40 to $+100$ °C (-40 to $+210$ °F). For brief periods, temperatures of up to 120 °C (250 °F) can be tolerated.

SKF also offers a special nitrile rubber compound with a temperature range between -55 and $+110$ °C (-65 and $+230$ °F).

SKF Duralip (D)

SKF Duralip is a carboxylated nitrile rubber (XNBR) developed by SKF that combines the good technical properties of nitrile rubber with an increased resistance to wear (→ **diagram 2** on **page 33**). It is mainly used for seals for heavy industrial applications. Seals made of this material should be chosen when abrasive contaminants like sand, soil and scale could reach the seal counterface on the shaft.

SKF Duratemp (H)

SKF Duratemp is a hydrogenated nitrile rubber (HNBR) developed by SKF that combines the wear resistance of SKF Duralip with increased high-temperature resistance (→ **diagram 3** on **page 34**). SKF Duratemp is also more resistant to chemical attack, weather, ageing and ozone. However, mixtures of oil in air may have a negative effect. The upper operating temperature limit is 150 °C (300 °F), which is significantly higher than that of ordinary nitrile rubber. SKF Duratemp is mainly used for seals for heavy industrial applications or where extended service life is required.

SKF Duralife¹⁾ (V)

The fluoro rubber (FKM) compound, SKF Duralife, has been developed by SKF and is characterized by its very good wear, thermal and chemical resistance. Its resistance to weather and ageing from UV light and ozone is also very good and its gas permeability is very slight.

SKF Duralife has exceptional properties even under harsh environmental conditions and can withstand operating temperatures ranging from -20 to $+200$ °C (-5 to $+390$ °F). In applications with low dynamic runout, the temperature range can be extended down to -40 °C (-40 °F). SKF also offers special low-temperature fluoro rubber compounds on request.

SKF Duralife is also resistant to oils and hydraulic fluids, fuels and lubricants, mineral acids and aliphatics as well as aromatic hydrocarbons that would cause many other seal materials to fail. Seals made of SKF Duralife can also tolerate dry running of the lip for short periods. The seals should not be used in the presence of esters, ethers, ketones, certain amines and hot anhydrous hydrofluorides. Because of the compound's valuable properties, SKF manufactures seals with sealing lips made of SKF Duralife for all common shaft diameters.

Polytetrafluoroethylene (PTFE)

PTFE is a thermoplastic polymer that is compatible with a wide assortment of lubricants and features chemical resistance that is far superior to that of any other sealing lip material. PTFE has a smooth, dirt-resistant surface. Seals with PTFE lips can accommodate high surface speeds while offering extended service life. The seals can tolerate dry running and are particularly valuable in highly contaminated applications because of their excellent exclusion ability. PTFE is used for auxiliary seal elements or for primary sealing lips for special applications. For optimum performance, PTFE seal elements require a high-quality seal counterface and extra care during installation. The normal operating temperature range extends from -70 to $+200$ °C (-90 to $+390$ °F), but may go up to 250 °C (480 °F).

WARNING:

At temperatures above 300 °C (570 °F), all fluoro elastomers and PTFE compounds give off dangerous fumes. This can occur, for example, if a welding torch is used when removing a bearing. Although the fumes are only produced at such high temperatures, once heated, the seals will be dangerous to handle even when they have cooled down. If it is necessary to handle PTFE or fluoro elastomer seals that have been subjected to the high temperatures mentioned above, the following safety precautions should be observed:

- Protective goggles and gloves should always be worn.
- The remains of seals should be put in an airtight plastic container marked "Material will etch".
- Comply with the safety precautions included in the material safety data that can be provided upon request.

If there is contact with your skin, this should be washed with soap and plenty of water. Wash your eyes with plenty of water if these materials get into your eyes. A doctor should always be consulted. This also applies if the fumes have been inhaled.

¹⁾ Previously named *LongLife*

Polyacrylate elastomer

Polyacrylate elastomers are more heat resistant than nitrile rubber or SKF Duralip. The operating temperature range for polyacrylate elastomers lies between -40 and $+150$ °C (-40 and $+300$ °F) and in some fluids the upper limit may be extended to 175 °C (345 °F). Seals of polyacrylate are resistant to ageing and ozone and are also suitable for use with lubricants containing EP additives. They should not be used to seal water, acids or alkalis etc. Dry running should be avoided.

Silicone rubber

Silicone rubber is characterized by high thermal resistance and can withstand temperatures ranging from -70 to $+160$ °C (-90 to $+320$ °F). Silicone rubber absorbs lubricants, thereby minimizing friction and wear. SKF silicone rubber seals are particularly suitable for applications with very low or very high temperatures and for low-friction sealing of bearing arrangements. They are not very resistant to oxidized oils or certain EP additives and should be protected against abrasive substances. Sealing lips made of silicone rubber should not be exposed to dry running.

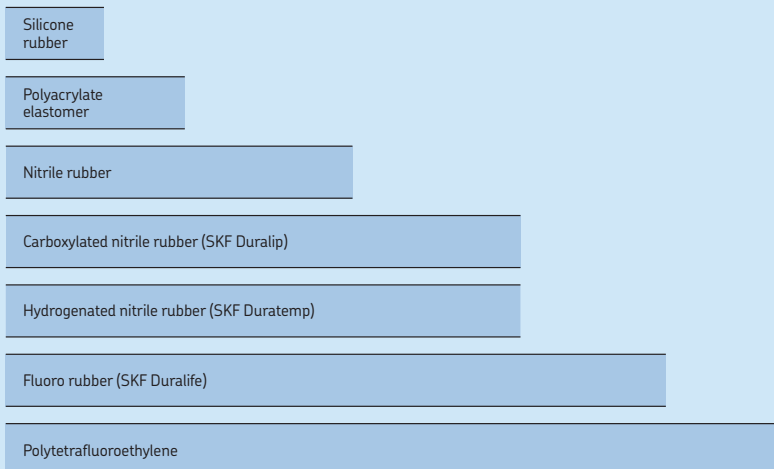
Wear resistance

The wear resistance of a seal depends largely on the sealing lip material, as well as on the shaft surface finish, type of lubricant, circumferential speed, temperature and pressure differentials.

A comparison of wear resistance for various sealing lip materials used by SKF is provided in **diagram 2**. It is valid for seals of the same size, operating under identical conditions.

Diagram 2

Wear resistance



Operating temperatures

Both low and high temperatures influence the sealing performance. At low temperatures, the sealing lip loses its elasticity and becomes hard and brittle. Sealing efficiency decreases and the seal becomes more susceptible to mechanical damage.

For applications where temperatures are continuously high, special high-temperature lip materials should be used, for example, PTFE or the SKF fluoro rubber material, SKF Duralife.

Friction, circumferential speed, viscosity of the medium being sealed as well as the specific heat transfer along the shaft influence the temperature at the sealing position and the temperature between the lip and lubricant film on the counterface. High temperatures generally lead to a breakdown of the lubricant film, resulting in insufficient lubrication, one of the most common causes of premature seal failure.

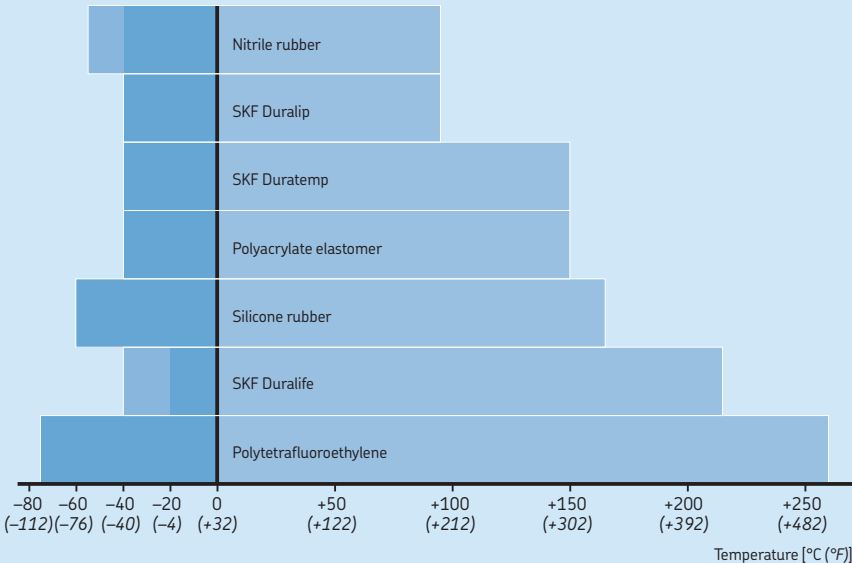
The static sealing ability between the outside diameter of the seal and the housing bore may

also be affected if these components are made of different materials with significantly different coefficients of expansion and shrinkage.

Refer to **diagram 3** to view the permissible operating temperature ranges of sealing lip materials normally used by SKF.

Diagram 3

Permissible operating temperatures



Chemical resistance

In **table 2, *Chemical resistance*** (→ **pages 36 to 43**), information is provided regarding the resistance of SKF sealing lip materials to most of the substances encountered in industrial applications. The information is based on in-house testing and the experience of users, as well as information from the suppliers of the various materials. Unless otherwise stated, the information is valid for media of commercial purity and quality.

The chemical resistance of a seal is influenced by temperature, pressure and the amount of media present. Other important factors to consider when selecting a suitable sealing lip material include:

- type of service (static or dynamic)
- circumferential speed of the sealing lip
- shaft and housing materials
- surface finish of the seal counterface

Because the above mentioned factors also influence the service life and performance of the seal, the information contained in the table *Chemical resistance* can only be considered as a rough guide.

Explanation for table 2 (→ pages 36 to 43), *Chemical resistance*

RT = room temperature [20 °C (70 °F)]

1 = minor effect

2 = moderate effect

3 = static only

4 = not recommended

5 = insufficient data, test before use

Table 2

Chemical resistance

Medium	Temperature	Medium's effect on sealing lip material			
		R, D, H	V	P	S
–	°C (°F)	–			
A					
Acetaldehyde	RT	4	4	4	2
Acetamide	RT	1	2	4	2
Acetic acid, 100% (glacial)	60 (140)	3	3	4	2
Acetic acid, 30%	RT	2	2	4	1
Acetic acid, 3% (vinegar)	RT	2	1	4	1
Acetic anhydride	RT / 80 (175)	3	4	4	3
Acetone	RT	4	4	4	3
Acetophenone	RT	4	4	4	4
Acetylene	60 (140)	1	1	5	2
Acrylonitrile	RT / 60 (140)	4	3	4	4
Adipic acid (aq)	RT	1	1	5	5
Alum (aq)	100 (210)	1	1	4	1
Aluminium acetate (aq)	RT	2	4	4	4
Aluminium chloride (aq)	RT	1	1	1	2
Aluminium fluoride (aq)	RT	1	1	5	2
Aluminium nitrate (aq)	RT	1	1	5	2
Aluminium phosphate (aq)	RT	1	1	5	1
Aluminium sulphate (aq)	RT / 60 (140)	1	1	4	1
Ammonia (anhydrous)	RT	2	4	4	3
Ammonia gas	RT	1	4	4	2
Ammonia gas	80 (175) / 100 (210)	4	4	4	1
Ammonium carbonate (aq)	RT / 60 (140)	2	5	4	5
Ammonium chloride (aq)	RT / 60 (140)	1	1	5	5
Ammonium chloride (dry) (sal ammoniac)	RT	1	1	1	2
Ammonium nitrate (aq)	RT	1	5	2	5
Ammonium persulphate (aq)	RT	4	5	4	5
Ammonium phosphate (aq)	RT / 60 (140)	1	5	5	1
Ammonium sulphate (aq)	100 (210)	1	4	4	5
Amyl acetate	RT	4	4	4	4
Amyl alcohol	60 (140)	2	2	4	4
Aniline	60 (140) / 100 (210)	4	3	4	4
Aniline dyes	RT	4	2	4	3
Aniline hydrochloride	RT	2	2	4	4
Aniline hydrochloride	100 (210)	4	5	5	5
Animal fats	80 (175)	1	1	1	2
Aqua Regia	RT	4	5	4	4
Arsenic acid	RT / 60 (140)	1	1	3	1
Arsenic trichloride (aq)	RT	1	5	5	5
Asphalt (liquid)	100 (210)	2	2	4	4
B					
Barium chloride (aq)	RT / 60 (140)	1	1	1	1
Barium hydroxide (aq)	RT / 60 (140)	1	1	4	1
Barium sulphate	RT / 60 (140)	1	1	4	1
Barium sulphide (aq)	RT / 60 (140)	1	1	4	1
Beer	RT	1	1	4	1
Benzaldehyde	RT / 60 (140)	4	4	4	4
Benzene	RT	4	1	4	4
Benzene sulphononic acid	RT	4	1	4	4
Benzoic acid	RT / 60 (140)	4	1	4	4
Benzoyl chloride	RT	4	1	4	5
Benzyl alcohol	RT / 60 (140)	4	1	1	2
Benzyl benzoate	50 (120) / 60 (140)	4	1	4	5
Benzyl chloride	RT	4	1	4	4
Blast furnace gas	100 (210)	4	1	4	1
Borax (aq)	RT / 60 (140)	2	1	5	2
Bordeaux mixture	RT	2	1	4	2
Boric acid	60 (140) / 100 (210)	1	1	4	1
Brake fluid, ATE	80 (175)	4	4	4	1
Brake fluid, glycol ether	80 (175)	4	5	4	1
Brine (sodium chloride, aq)	RT / 50 (120)	1	1	4	1
Bromine, anhydrous (liquid/gaseous)	RT	4	1	4	4
Bromine trifluoride	RT	4	4	4	4
Bromine water	RT	4	1	4	4
Bromobenzene	RT	4	1	4	4

Chemical resistance

Medium	Temperature	Medium's effect on sealing lip material			
		R, D, H	V	P	S
–	°C (°F)	–			
Bunker oil	60 (140)	1	1	1	2
Butadiene (gaseous or liquified)	RT	4	1	4	4
Butane (gaseous or liquified)	RT	1	1	1	4
Butter (animal fat)	RT / 80 (175)	1	1	1	2
Butyl acetate	RT	4	4	4	4
Butyl acrylate	RT	4	4	4	5
Butyl alcohol	RT	2	1	4	2
Butyl amines	RT	3	4	4	4
Butylene	RT	2	1	4	4
Butyl stearate	50 (120)	2	1	5	5
Butyraldehyde	RT	4	4	4	4
C					
Calcium acetate (aq)	RT	2	4	4	4
Calcium bisulphite (aq)	RT	1	1	4	1
Calcium chloride (aq)	60 (140)	1	1	1	1
Calcium hydroxide (aq)	RT	1	1	4	1
Calcium hypochlorite (aq)	RT / 60 (140)	2	1	4	2
Calcium nitrate (aq)	RT / 40 (105)	1	1	1	2
Cane sugar liquors	RT / 60 (140)	1	1	4	1
Carbon dioxide	RT	1	1	5	2
Carbon disulphide	RT	3	1	3	4
Carbonic acid	RT	2	1	1	1
Carbon monoxide	60 (140)	1	1	5	1
Carbon tetrachloride	RT / 60 (140)	3	1	4	4
Castor oil	RT	1	1	1	1
Cellosolve (ethyl glycol)	RT	4	3	4	4
Cellosolve acetate (ethyl glycol acetate)	RT	4	4	4	4
Chlorine (dry)	RT	4	1	4	4
Chlorine (wet)	RT	4	1	4	4
Chlorine dioxide	RT	4	1	4	5
Chlorine trifluoride	RT	4	4	4	4
Chloroacetic acid	60 (140)	4	4	4	5
Chloroacetone	RT	4	4	4	4
Chlorobenzene	RT	4	1	4	4
Chlorobromomethane	RT	4	1	4	4
Chlorobutadiene	RT	4	1	4	4
Chloroform	RT	4	1	4	4
Chlorosulphonic acid	RT	4	4	4	4
Chlorotoluene	RT	4	1	4	4
Chromic acid	60 (140)	4	1	4	3
Citric acid	60 (140) / 70 (160)	1	1	5	1
Cobalt chloride (aq)	RT	1	1	4	2
Coconut oil	50 (120) / 80 (175)	1	1	1	1
Cod liver oil	RT	1	1	1	2
Coke oven gas	80 (175)	4	1	4	2
Copper acetate (aq)	RT	2	4	4	4
Copper chloride (aq)	RT	1	1	1	1
Copper sulphate (aq)	60 (140)	1	1	4	1
Corn oil	RT / 60 (140)	1	1	1	1
Cottonseed oil	RT / 70 (160)	1	1	1	1
Cresol	50 (120) / 70 (160)	4	1	4	4
Cumene (isopropylbenzene)	RT	4	1	4	4
Cyclohexane	RT	1	1	1	4
Cyclohexanol	RT	3	1	5	4
Cyclohexanone	RT	4	4	4	4
p-Cymene	RT	4	1	4	4
D					
Decahydronaphthalene (decalin)	RT / 60 (140)	4	1	5	4
Detergent	RT	1	1	4	1
Developing fluids (photography)	RT	1	1	5	1
Diacetone alcohol	RT	4	4	4	2
Dibenzyl ether	RT	4	4	5	5
Dibutyl amine	RT	4	4	4	3
Dibutyl ether	RT	4	3	3	4

Chemical resistance

Medium	Temperature	Medium's effect on sealing lip material			
		R, D, H	V	P	S
–	°C (°F)	–			
Dibutyl phthalate	RT / 60 (140)	4	3	4	2
Dibutyl sebacate	RT / 60 (140)	4	2	4	2
o-Dichlorobenzene	RT	4	1	4	4
Dicyclohexylamine	RT	3	4	4	5
Diethyl amine	RT	2	4	4	2
Diethyl benzene	RT	4	1	5	4
Diethyl ether	RT	4	4	3	4
Diethyl sebacate	RT	2	2	4	2
Diisopropyl benzene	RT	4	1	5	5
Dimethyl aniline (Xylidine)	RT	3	4	4	4
Dimethyl ether	RT	1	2	4	1
Dimethyl formamide	RT / 60 (140)	2	4	4	2
Dimethyl phthalate	RT	4	2	4	5
Dioctyl phthalate	RT / 60 (140)	3	2	4	3
Dioctyl sebacate	RT / 60 (140)	4	2	4	3
Dioxane	RT / 60 (140)	4	4	4	4
Dioxolane	RT	4	4	4	4
Dipentene	RT	2	1	4	4
Diphenyl oxide	RT	4	1	4	3
Dowtherm oils	100 (210)	4	1	4	3
Dry cleaning fluids	40 (105)	3	1	4	4
E					
Epichlorohydrin	RT	4	4	4	4
Ethane	RT	1	1	1	4
Ethanol (denatured alcohol)	RT	1	1	4	1
Ethanolamine (monoethanolamine)	RT	2	4	4	2
Ethanolamine (di- and triethanolamine)	50 (120)	5	4	4	2
Ethyl acetate	RT	4	4	4	2
Ethyl acrylate	RT	4	4	4	2
Ethyl benzene	RT	4	1	4	4
Ethyl benzoate	RT	4	1	4	4
Ethyl chloride	RT	1	1	4	4
Ethylene	RT	1	1	5	5
Ethylene chloride	RT	4	2	4	4
Ethylene chlorohydrin	RT	4	1	4	3
Ethylene diamine	RT	1	4	4	1
Ethylene glycol	RT	1	1	2	1/2
Ethylene glycol	100 (210)	1	1	3	1/2
Ethylene oxide	RT	4	4	4	4
Ethylene trichloride	RT	4	1	4	4
Ethyl ether	RT	3	4	4	4
Ethyl formate	RT	4	1	5	5
Ethyl glycol (Cellosolve)	RT	4	3	4	4
Ethyl glycol acetate (Cellosolve acetate)	RT	4	4	4	4
Ethyl silicate	RT	1	1	5	5
F					
Fatty acids	100 (210)	2	1	5	3
Ferric chloride (aq)	RT	1	1	1	2
Ferric nitrate (aq)	RT	1	1	1	3
Ferric sulphate (aq)	RT	1	1	1	2
Fish oil	RT	1	1	5	1
Fluorine (liquified)	RT	4	2	4	4
Fluorobenzene	RT	4	1	4	4
Fluorosilic acid	60 (140)	1	1	5	4
Formaldehyde	RT	3	1	4	2
Formaldehyde, 37%	below 100 (210)	2	1	4	2
Formic acid	RT / 60 (140)	2	3	5	2
Fuels					
– Aero engine fuels JP-					
– JP3 (MIL-J-5624 G)	RT	1	1	2	4
– JP4 (MIL-J-5624 G)	RT	1	1	2	4
– JP5 (MIL-J-5624 G)	RT	1	1	2	4
– JP6 (MIL-F-25656 B)	RT / 60 (140)	1	1	5	4

Chemical resistance

Medium	Temperature	Medium's effect on sealing lip material			
		R, D, H	V	P	S
–	°C (°F)	–			
–ASTM reference fuels:					
–ASTM-A (MIL-S-3136 B Typ 1)	RT / 60 (140)	1	1	2	4
–ASTM-B (MIL-S-3136 B Typ 111)	RT / 60 (140)	1	1	5	4
–ASTM-C	RT / 60 (140)	2	1	4	4
–Diesel fuel	60 (140)	1	1	2	2
–Fuel oil	60 (140)	1	1	1	4
–Gasohol (10% ethanol or methanol)	RT	2	3	4	4
–Kerosene	RT	1	1	1	4
–Mineral oil	100 (210)	1	1	1	2
–Petrol	RT	1	1	4	4
Fumaric acid	RT	1	1	4	2
Furan	RT	4	5	4	5
Furfural	RT	4	4	4	4
Furfuran	RT	4	5	4	5
G					
Gelatine (aq)	40 (105)	1	1	4	1
Glucose	RT	1	1	5	1
Glue	RT	1	1	5	1
Glycerin	100 (210)	1	1	3	1
Glycols	100 (210)	1	1	4	1/2
H					
n-Hexaldehyde	RT	4	4	5	2
Hexane	RT / 60 (140)	1	1	1	4
1-Hexene	RT	2	1	1	4
Hexyl alcohol	RT	1	1	4	2
Hydraulic fluids					
–Hydraulic oils (acc. to DIN 51524)	80 (175)	1	1	1	3
–Hydraulic fluids (acc to DIN 51502):					
–HFA (oil in water emulsion)	55 (130)	1	1	5	5
–HFB (water in oil emulsion)	60 (140)	1	1	5	5
–HFC (aqueous Polymer solutions)	60 (140)	1	1	5	1
–HFD (phosphoric esters)	80 (175)	4	2/4	4	4
–Skydrol 500	80 (175)	4	4	4	3
–Skydrol 7000	80 (175)	4	2	4	3
Hydrazine	RT	2	4	5	3
Hydrobromic acid	RT / 60 (140)	4	1	4	4
Hydrochloric acid (conc.)	RT	3	1	4	3
Hydrochloric acid (conc.)	80 (175)	4	2	4	4
Hydrocyanic acid (Prussic acid)	RT	2	1	4	3
Hydrofluoric acid (conc.)	RT	4	1	4	4
Hydrofluoric acid (conc.)	100 (210)	4	3	4	4
Hydrofluoric acid (anhydrous)	100 (210)	4	4	4	4
Hydrogen gas	RT	1	1	2	3
Hydrogen peroxide (90%)	RT	4	2	4	2
Hydrogen sulphide (wet)	RT / 100 (210)	4	4	4	3
Hydroquinone	RT	4	2	4	5
Hypochlorous acid	RT	4	1	4	5
I					
Iodine pentafluoride	RT	4	4	4	4
Isobutyl alcohol	RT	2	1	4	1
Isooctane	RT	1	1	1	4
Isophorone	RT	4	4	4	4
Isopropyl acetate	RT / 80 (175)	4	4	4	4
Isopropyl alcohol	RT / 60 (140)	2	1	4	1
Isopropyl chloride	RT	4	1	4	4
Isopropyl ether	RT / 60 (140)	2	4	3	4
L					
Lactic acid	RT	1	1	4	1
Lactic acid	100 (210)	4	1	4	2
Lard	80 (175)	1	1	1	2
Lavender oil	RT	2	1	2	4
Lead acetate (aq)	RT / 60 (140)	2	2	4	4

Chemical resistance

Medium	Temperature	Medium's effect on sealing lip material			
		R, D, H	V	P	S
–	°C (°F)	–			
Lead nitrate (aq)	RT	1	5	5	2
Linoleic acid	RT	2	2	5	2
Linseed oil	RT / 60 (140)	1	1	1	1
Lubricants					
–ASTM oil No. 1	100 (210)	1	1	1	3
–ASTM oil No. 2	100 (210)	1	1	1	3
–ASTM oil No. 3	100 (210)	1	1	1	3
–ATF oils, type A	100 (210)	1	1	1	4
–ATF oils, type I	100 (210)	1	1	1	4
–ATF oils, type II	100 (210)	1	1	1	4
–ATF oils, type F	100 (210)	1	1	1	4
–ATF oils, type Mercon	100 (210)	1	1	1	4
–EP lubes	100 (210)	2	1	1	4
–Fluorolube	100 (210)	1	2	5	1
–Grease MIL-G-7118 A	80 (175)	1	1	3	3
–Grease MIL-G-7711 A	80 (175)	1	1	1	3
–Lubricating oils (petroleum)	100 (210)	1	1	1	4
–Red oil (MIL-H-5606)	100 (210)	1	1	1	4
–RJ-1 (MIL-F-25558 B)	100 (210)	1	1	1	4
–RP-1 (MIL-F-25576 C)	100 (210)	1	1	1	4
–Motor oil SAE 30	100 (210)	1	1	1	1
–Transmission oil SAE 90	100 (210)	1	1	1	4
–Transmission oil MIL-L-23699 A	100 (210)	1	1	3	3
–Silicone greases	120 (250)	1	1	1	3
–Silicone oils	120 (250)	1	1	1	3
–Transformer oil (Pyranol)	60 (140)	4	1	5	4
–Transformer oil	60 (140)	1	1	2	2
–Transmission fluid type A	RT	1	1	1	2
–Turbine oil	100 (210)	2	1	1	4
M					
Magnesium chloride (aq)	100 (210)	1	1	5	1
Magnesium hydroxide (aq)	100 (210)	2	1	4	5
Magnesium sulphate (aq)	100 (210)	1	1	4	1
Maleic acid	100 (210)	4	1	4	5
Maleic anhydride	60 (140)	4	4	4	5
Malic acid	RT	1	1	4	2
Mercury	RT / 60 (140)	1	1	5	5
Mercury chloride (aq)	RT / 60 (140)	1	1	5	5
Mesityl oxide	RT	4	4	4	4
Methane	RT	1	2	1	4
Methanol (methyl alcohol)	60 (140)	1	4	4	1
Methyl acetate	RT	4	4	4	4
Methyl acrylate	RT	4	4	4	4
Methyl aniline	RT	4	2	4	5
Methyl bromide	RT	2	1	3	5
Methyl cellosolve (methyl glycol)	RT	3	4	4	4
Methyl chloride	RT	4	2	4	4
Methyl cyclopentane	RT	4	2	4	4
Methylene chloride	RT	4	2	4	4
Methyl ethyl ketone	RT	4	4	4	4
Methyl formate	RT	4	5	5	5
Methyl glycol (Cellosolve)	RT	3	4	4	4
Methyl isobutyl ketone	RT	4	4	4	4
Methyl methacrylate	RT	4	4	4	4
Methyl salicylate	RT	4	5	5	5
Milk	RT	1	1	4	1
Mustard gas	RT	5	5	5	1
N					
Naphtha	RT	2	1	2	4
Naphthalene	60 (140)	4	1	5	4
Naphthalenic acid	RT	2	1	5	4
Natural gas	RT	1	1	2	1
Neat-s-foot oil	RT / 60 (140)	1	1	1	2
Nickel acetate (aq)	RT	2	4	4	4

Chemical resistance

Medium	Temperature	Medium's effect on sealing lip material			
		R, D, H	V	P	S
–	°C (°F)	–			
Nickel chloride	RT	1	1	4	1
Nickel sulphate (aq)	RT / 60 (140)	1	1	4	1
Nitric acid (conc.)	RT	4	3	4	4
Nitric acid (fuming)	RT	4	4	4	4
Nitric acid (dilute)	RT	4	1	4	2
Nitrobenzene	50 (120)	4	2	4	4
Nitroethane	RT	4	4	4	4
Nitrogen	RT	1	1	1	1
Nitrogen tetroxide	RT	4	4	4	4
Nitromethane	RT	4	4	4	4
O					
Octadecane	RT / 50 (120)	1	1	2	4
n-Octane	RT	2	1	4	4
Octyl alcohol	RT	2	1	4	2
Oleic acid	70 (160)	1	2	2	4
Olive oil	60 (140)	1	1	1	3
Oxalic acid	70 (160)	2	1	5	4
Oxygen	RT	2	1	2	1
Oxygen	>100 (210)	4	2	4	2
Ozone	RT	4	1	2	1
P					
Palmitic acid	60 (140)	1	1	4	4
Peanut oil	RT / 50 (120)	1	1	1	1
Perchloric acid	RT	4	1	4	4
Perchloroethylene	RT / 60 (140)	2	1	4	4
Petroleum	below 120 (250)	1	1	2	2
Petroleum	above 120 (250)	4	2	4	4
Petroleum ether	RT / 60 (140)	1	1	1	4
Petroleum gas (liquified)	RT	1	1	3	3
Phenol	60 (140) / 100 (210)	4	1	4	4
Phenyl ethyl ether	RT	4	4	4	4
Phenyl hydrazine	RT / 60 (140)	4	1	4	5
Phoron (diisopropylidene acetone)	60 (140)	4	4	4	4
Phosphoric acid, 20%	50 (120) / 60 (140)	2	1	5	2
Phosphoric acid, 45%	50 (120) / 60 (140)	4	1	5	3
Phosphorus trichloride	RT	4	1	5	5
Pickling solution	RT	4	2	4	4
Picric acid	RT	4	1	5	4
Pinene	RT	2	1	4	4
Pine oil	RT	4	1	5	4
Piperidine	RT	4	4	4	4
Potassium acetate (aq)	RT	2	4	4	4
Potassium chloride (aq)	RT / 60 (140)	1	1	1	1
Potassium cyanide (aq)	RT / 50 (120)	1	1	1	1
Potassium dichromate (aq)	RT	1	1	1	1
Potassium hydroxide (aq)	60 (140)	2	4	4	4
Potassium nitrate (aq)	RT / 60 (140)	1	1	1	1
Potassium sulfate (aq)	RT / 60 (140)	1	1	4	1
Propane	RT	1	1	1	4
Propyl acetate	RT	4	4	4	4
Propyl alcohol	RT / 60 (140)	1	1	4	1
Propylene	RT	4	1	4	4
Propylene oxide	RT	4	4	4	4
Prussic acid (hydrocyanic acid)	RT	2	1	4	3
Pyridine	RT	4	4	4	4
Pyroigneous acid	RT	4	4	4	5
Pyrrole	RT	4	4	4	2
R					
Rapeseed oil	RT	2	1	2	4
Refrigerants (acc. to DIN 8962)					
– R 11	RT	2	1	5	4
– R 12	RT	1	2	1	4
– R 13	RT	1	1	5	4

Chemical resistance

Medium	Temperature	Medium's effect on sealing lip material			
		R, D, H	V	P	S
–	°C (°F)	–			
– R 13 B1	RT	1	1	5	4
– R 14	RT	1	1	5	4
– R 21	RT	4	4	5	4
– R 22	RT	4	4	2	4
– R 31	RT	4	4	5	5
– R 32	RT	1	4	5	5
– R 112	RT	3	1	5	4
– R 113	RT	1	2	5	4
– R 114	RT	1	2	5	4
– R 114 B2	RT	2	2	5	4
– R 115	RT	1	2	5	5
– R C 318	RT	1	2	5	5
S					
Salicylic acid	RT	2	1	5	5
Sea water	RT	1	1	4	1
Silver nitrate (aq)	RT	2	1	1	1
Soap solution	RT	1	1	4	1
Sodium acetate (aq)	RT	2	4	4	4
Sodium bicarbonate (aq)	60 (140)	1	1	5	1
Sodium bisulphite (aq)	100 (210)	1	1	4	1
Sodium carbonate (soda)	RT / 60 (140)	1	1	5	1
Sodium chloride (aq)	RT / 100 (210)	1	1	5	1
Sodium cyanide (aq)	RT	1	1	5	1
Sodium hydroxide (aq)	RT	2	2	3	2
Sodium hypochlorite (aq)	RT / 50 (120)	2	1	4	5
Sodium metaphosphate	RT / 60 (140)	1	1	5	2
Sodium nitrate (aq)	RT / 60 (140)	2	5	5	4
Sodium phosphate (aq)	RT / 60 (140)	1	1	4	4
Sodium silicate (aq)	RT / 60 (140)	1	1	5	5
Sodium sulphate (aq) (Glauber's salt)	RT / 60 (140)	1	1	4	1
Sodium thiosulphate (aq)	RT / 50 (120)	2	1	4	1
Soybean oil	RT	1	1	1	1
Stannic chloride (aq)	RT / 80 (175)	1	1	5	2
Stannous chloride (aq)	RT / 80 (175)	1	1	5	2
Steam	below 150 (300)	4	4	4	3
Steam	above 150 (300)	4	4	4	4
Stearic acid	60 (140)	2	2	4	2
Stoddard solvent	RT	1	1	1	4
Styrene	RT	4	2	4	4
Sucrose solution	RT / 60 (140)	1	1	4	1
Sulphur	RT / 60 (140)	4	1	4	3
Sulphur chloride (aq)	RT	3	1	4	3
Sulphur dioxide (dry)	RT / 60 (140)	4	1	4	2
Sulphur dioxide (liquified)	RT / 60 (140)	4	1	4	2
Sulphur dioxide (wet)	RT / 60 (140)	4	1	4	2
Sulphur hexafluoride	RT	2	1	4	2
Sulphuric acid (conc.)	RT / 50 (120)	4	1	4	4
Sulphuric acid (20%) (battery acid)	60 (140)	4	1	4	4
Sulphuric acid (dilute)	RT	3	1	2	4
Sulphurous acid	RT / 60 (140)	4	1	4	4
Sulphur trioxide	RT	4	1	4	2
T					
Tannic acid	RT / 60 (140)	1	1	4	2
Tar, bituminous	RT	2	1	4	2
Tartaric acid	60 (140)	1	1	5	1
Tepineol	RT	2	1	5	5
Tetrabromoethane	RT	4	1	4	4
Tetrabromomethane	RT	4	1	5	4
Tetrabutyl titanate	RT	2	1	5	5
Tetrachloroethylene	60 (140)	4	2	4	4
Tetraethyl lead	RT	2	1	5	5
Tetrahydrofuran	RT	4	4	4	4
Tetrahydronaphthalene (Tetralin)	RT	4	1	5	4
Thionyl chloride	RT	4	2	4	5

Chemical resistance

Medium	Temperature	Medium's effect on sealing lip material			
		R, D, H	V	P	S
–	°C (°F)	–			
Titanium tetrachloride	RT	2	1	4	4
Toluene	RT	4	1	4	4
Toluene diisocyanate	RT	4	4	4	4
Triacetin	RT	2	1	4	5
Tributoxy ethyl phosphate	RT	4	1	4	5
Tributyl phosphate	RT / 60 (140)	4	4	4	4
Trichloroacetic acid	60 (140)	5	4	4	4
Trichloroethane	RT	4	1	4	4
Trichloroethylene	RT	4	1	4	4
Tricresyl phosphate	RT / 60 (140)	4	1	4	3
Triethanol amine	RT	2	4	4	5
Triethyl aluminium	RT	4	2	4	5
Triethyl borane	RT	4	1	4	5
Trinitrotoluene	RT	4	2	4	5
Trioctyl phosphate	RT / 60 (140)	4	2	4	3
Tung oil (China wood oil)	RT	1	1	1	4
Turpentine	RT	1	1	2	4
V					
Varnish	RT	2	1	4	4
Vegetable oil	60 (140)	1	1	1	2
Vinyl acetylene	RT	1	1	5	2
Vinyl chloride	RT	4	1	5	5
W					
Water	100 (210)	1	1	4	1
Whisky	RT	1	1	4	1
White oil	RT / 80 (175)	1	1	1	4
Wine	RT	1	1	4	1
Wood oil	RT	1	1	1	4
X					
Xylene	RT	4	1	4	4
Xylidine (di-methyl aniline)	RT	3	4	4	4
Z					
Zeolites	RT	1	1	5	5
Zinc acetate (aq)	RT	1	1	4	4
Zinc chloride (aq)	RT	1	1	4	1
Zinc sulphate (aq)	RT	1	1	4	1

Storage and handling of seals

General

The following guidelines for the storage and cleaning of seals are valid for natural and synthetic elastomer materials and are in accordance with ISO 2230 and DIN 7716 standards. The storage guidelines set forth in DIN 7716 are valid for long-term storage.

Unfavourable storage conditions and improper handling can change the physical properties of most products made from natural or synthetic rubber. This can result in hardening or softening, permanent deformation, peeling or cracks, which can lead to a shortened service life or render the products altogether useless. These changes can be brought about by storing the products under stress or load or from the influence of oxygen, ozone, heat, light, moisture or solvents. When stored properly, elastomer products generally retain their properties for several years.

Storage

The storage area should be cool, dry, moderately ventilated and there should be as little dust as possible. Outdoor storage without protection should be avoided.

The appropriate storage temperature depends on the elastomer. The most favourable storage temperature for synthetic rubber seals is 15 to 25 °C (60 to 80 °F).

Elastomer products that have been subjected to low temperatures during transport or storage may become stiff. They should therefore be warmed and kept at a temperature of at least 20 °C (70 °F) before being unpacked and used in order to prevent exposure to condensation.

In heated storage rooms, the products should be shielded from the heat source. There should be at least 1 m (3 ft.) between the packages and the source of heat. In rooms where a heater with a fan is used, the distance should be greater. Storage in damp rooms should be avoided because of the risk of condensation. A storage facility with relative humidity below 65% is excellent.

Seals should be protected from light, particularly direct sunlight or artificial light with a high proportion of UV radiation. Any windows in the store should therefore be covered with a red or

orange coating (never blue). Ordinary light bulbs are preferred for illumination.

Seals should be wrapped or stored in airtight containers, protecting them from atmospheric changes and particularly against drafts.

Because ozone is particularly damaging, steps must be taken to make sure that no ozone is produced in the storage facility as the result of using electric motors or other equipment that can produce sparks or other electric discharges. Combustion fumes and vapours that can produce ozone as the result of photochemical processes should be exhausted. For this reason, solvents, fuels, lubricants, chemicals, acids, disinfectants etc. should not be stored in the same room as the seals.

Elastomer products should not be subjected to tension, compression or other forms of load during storage as this can produce permanent deformations and cracks. Seals should therefore not be hung on hooks during storage. Certain metals, especially copper and manganese, damage elastomer products. Contact with these metals should therefore be avoided and the seals should be covered with layers of paper or polyethylene to prevent such contact.

In case it is necessary to repack the seals, packaging and covering materials should not contain substances such as copper or alloys containing copper, petroleum, oil etc. that can cause damage to the seals. The packaging materials should not contain softeners.

If the products are powdered, suitable powders are talcum, chalk, finely divided glimmer and rice starch.

Seals made of different materials should not be in contact with each other. This is particularly important when the seals are different in colour as this will avoid discolouration.

Seals should be stored for the shortest period of time possible. Where long-term storage is involved, care should be taken that newly arrived products are kept separate from those already in storage to enable use of seals on a first in, first out basis.

Cleaning and maintenance

In the event that cleaning is necessary, elastomer products should be cleaned with warm, soapy water that does not exceed 30 °C (85 °F), and air dried at room temperature.

Solvents such as trichloroethylene, carbon tetrachloride or hydrocarbons should not be used, nor should sharp-edged objects, wire brushes, emery cloth or sandpaper.

Elastomer/metal combinations can be cleaned using a 1:10 mixture of glycerine and alcohol.



Radial shaft seals

General	50
Outside diameter design	54
SKF Bore Tite Coating	54
Garter springs	55
Dimensions	55
Tolerances	55
Sealing lip design	57
Auxiliary lips	58
Coaxiality and runout	59
Coaxiality	59
Runout	61
Axial movement	63
Permissible speed	63
Lubrication	65
Lubrication of paired arrangements	65
Friction	66
Chemical and thermal resistance	67
Seals under pressure	69
Shaft requirements	70
General	70
Tolerances	70
Surface roughness	70
Surface finish	72
Hardness and surface treatment	72
Lead-in chamfers	72
Housing bore requirements	74
General	74

Metal-reinforced seals	74
Seals without metal-reinforcement	74
Tolerances	76
Surface roughness	76
Seal installation, general industrial applications	77
General	77
Seal installation, heavy industrial applications	79
Metal-reinforced seals	79
Seals without metal reinforcement	80
Split seals	80
Cover plates	82
Multiple HS seal installations	83
Multiple HDS seal installations	84
PTFE seals	85
Protecting the counterface surface against corrosion	87
Removal	87
Replacement	87
Designation system	88
Metric radial shaft seals	88
Inch-size radial shaft seals	88
Assortment and availability	88
Seals for general industrial applications	92
HMS5 and HMSA10 seals	92
2.1 Product table: HMS5 and HMSA10	94
CRW1, CRWA1, CRWH1 and CRWHA1 seals	104
2.2 Product table: CRW1, CRWA1, CRWH1 and CRWHA1	105
CRW5 and CRWA5 seals	160
2.3 Product table: CRW5 and CRWA5	161
HDW1 seals	164
2.4 Product table: HDW1	164
CRS1, CRS1H1, CRSA1 and CRSHA1 seals	166
2.5 Product table: CRS1, CRS1H1, CRSA1 and CRSHA1	167
PTFE radial shaft seals	174
HM and TL seals for grease lubricated applications	178
2.6 Product table: HM and TL seals	179
X seals, sealing against housing bore	192
2.7 Product table: X seals	193
Seals for heavy industrial applications	202
General	202
Metal-cased seals	202
Rubber outside diameter seals	207
Additional design features	211
Size options of metal-cased HDS seals and all-rubber HS seals	215

Product tables	216
2.8 HDS7	216
2.9 HDS7K	222
2.10 HDL	226
2.11 HDS1, HDS2 and HDS3	242
2.12 HDS1K	258
2.13 HDS2K	260
2.14 HDSF and HDSH seals	262
2.15 HDSA and HDSB seals	264
2.16 HDSE1	270
2.17 HDSD and HDSE seals	272
2.18 SBF	274
2.19 HSF1 (split) and HSF5 (solid)	276
2.20 HSF2 (split) and HSF6 (solid)	290
2.21 HSF3 (split) and HSF7 (solid)	292
2.22 HSF4 (split) and HSF8 (solid)	298
2.23 HSF9	300
2.24 HS4 and HS5	302
2.25 HS6, HS7 and HS8	306

Radial shaft seals

General

Radial shaft seals are used between rotating and stationary machine components (→ **fig. 1**) or between two components in relative motion and consist of two main parts:

- A cylindrical outer covering of sheet steel (case) or an elastomer that has the requisite interference fit to seal statically against the housing bore.
- A sealing lip made of an elastomeric or thermoplastic material that seals dynamically and statically against the shaft. The lip has a sealing edge that is formed by moulding, cutting or grinding. It is normally pressed against the counterface surface of the shaft, with a defined radial load, by a garter spring. The edge of the sealing lip and the shaft counterface surface form the most important functional area of a radial shaft seal. The sealing effect of the lip can be enhanced by designing the contact area of the lip with hydrodynamic features.

Fig. 1

Radial shaft seal, HMS5



Some radial shaft seal designs have an auxiliary lip that protects the primary sealing lip from dust and other contaminants. A suitable lubricant in the space between the primary sealing lip and the auxiliary lip can reduce wear and delay corrosion. Contaminants that have passed the auxiliary lip will eventually cause damage in the counterface surface area. A build-up of heat can also occur between the two lips, resulting in premature wear.

Radial shaft seals are used in a multitude of applications. Because of the importance of radial shaft seals for the operational reliability and service life of machines and equipment, both seal manufacturers and users are equally interested, to some degree, in standardization. This has led to the establishment of national and international standards and guidelines listed in **table 1** on **page 53**. These cover boundary dimensions, tolerances, material specifications, test methods and terminology as well as the basic outside diameter constructions and sealing lip arrangements.

See **figs. 2** and **3** on **page 52** for the terminology used in this publication.

Fig. 2

Metal-cased seal with spring-loaded sealing lip

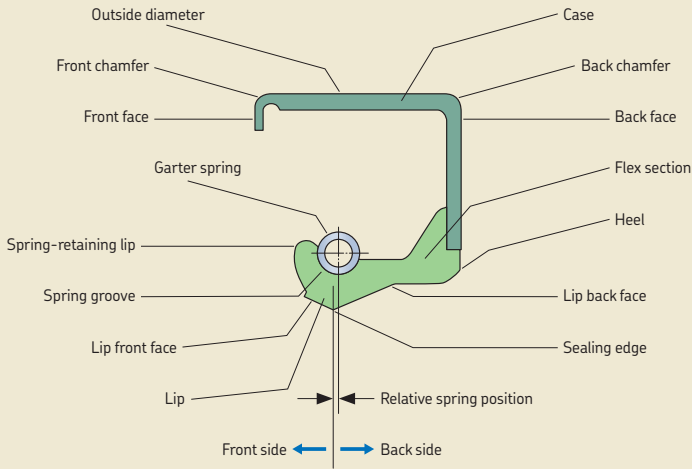
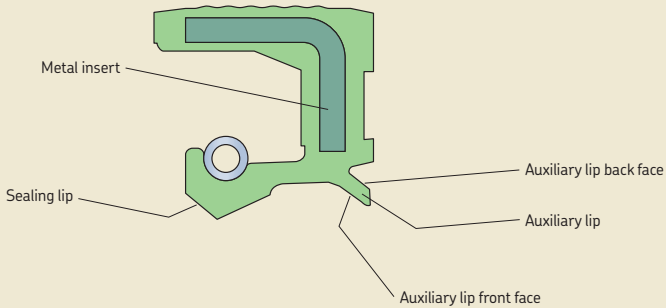


Fig. 3

Rubber outside diameter seal with spring-loaded sealing lip and auxiliary lip



Standards and other documents relating to radial shaft seals

Document ¹⁾	Title
ISO 2230	Rubber products – guidelines for storage
ISO 6194-1	Rotary shaft lip-type seals – Nominal dimensions and tolerances
ISO 6194-2	Rotary shaft lip-type seals – Vocabulary
ISO 6194-3	Rotary shaft lip-type seals – Storage, handling and installation
ISO 6194-4	Rotary shaft lip-type seals – Performance test procedures
ISO 6194-5	Rotary shaft lip-type seals – Identification of visual imperfections
SAE J946	Application guide to radial lip seals
RMA OS-1-1	Shaft requirements for rotary shaft seals
RMA OS-4	Application guide for radial lip type shaft seals
RMA OS-7	Storage and handling guide for radial lip type shaft seals
RMA OS-8	Visual variations guide for rotating shaft seals
DIN 3760	Radial-Wellendichtringe (Radial shaft seals)
DIN 3761	Radial-Wellendichtringe für Kraftfahrzeuge (Radial shaft seals for motor vehicles), Parts 1 to 15. This standard covers all aspects including vocabulary, material requirements and test methods.
DIN 7172	Tolerances and limit deviations for sizes above 3 150 mm up to 10 000 mm.
DIN 7716	Rubber products; requirements for storage, cleaning and maintenance.

¹⁾ RMA = Rubber Manufacturers Association
 SAE = Society of Automotive Engineers
 ISO = International Organization for Standardization
 DIN = Deutsches Institut für Normung

Outside diameter design

The standard assortment of radial shaft seals manufactured by SKF for general industrial applications covers three different outside diameter executions (→ **figs. 4a** to **4c**).

Seals with a rubber outside diameter (→ **fig. 4a**) are used in a wide range of applications. They maintain a tight fit in the housing bore when the housing material has a higher coefficient of thermal expansion than steel and/or when the housing is split. They are also recommended in all applications where the housing bore surface finish requirements cannot be met.

Metal-cased seals (→ **fig. 4b**) are multi-purpose seals that can be used for most applications. They are relatively easy to install and, provided the housing bore meets the requirements, will fit tightly and centrally in the housing bore.

Radial shaft seals designed with a metal case and a secondary reinforcement in the side face (→ **fig. 4c**) offer advantages where operating conditions are severe. They have a higher radial stiffness and are available for shaft diameters ≥ 50 mm (2 in.).

Besides these standard outside diameter designs, there is also a half rubber / half metal outside diameter design (→ **fig. 4d**) that is typically used in automotive applications.

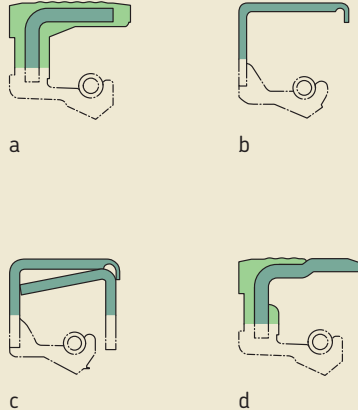
In addition to the seal designs for general industrial applications described above, SKF also manufactures seals for heavy industrial applications with special features to meet specific requirements (→ **page 202**).

SKF Bore Tite Coating

As the static sealing ability between a metal outside diameter and the housing bore is somewhat limited, particularly in the case of low-viscosity fluids and media that can “creep”, most SKF seals with a metal case feature SKF Bore Tite Coating, a water-based acrylic sealant. SKF Bore Tite Coating is green in colour, does not harden and serves to fill small imperfections in the housing bore. For additional details, refer to **page 29**.

Fig. 4

Outside diameter designs



Garter springs

SKF radial shaft seals have garter springs made of drawn carbon steel or stainless steel spring wire. Carbon steel springs are standard unless otherwise specified.

Dimensions

SKF radial shaft seals are manufactured for a wide range of shaft diameters, from 5 to 4 600 mm (*0.2 to 181 in.*). The range also includes standard sizes in accordance with ISO 6194-1 and DIN 3760 for shafts ranging from 6 to 500 mm (*0.24 to 19.7 in.*).

Tolerances

SKF radial shaft seals are generally manufactured to the outside diameter tolerances listed in **table 2** on **page 56**, for metric seals, and **table 3** on **page 56** for inch-size seals. These are, where standardized, in accordance with ISO 6194-1, DIN 3760 and RMA OS-4.

Radial shaft seals

Table 2

Outside diameter tolerances for metric seals

Nominal seal outside diameter		Seals with outside diameter of steel		elastomer ¹⁾	
D over	incl.	Seal outside diameter tolerance		Seal outside diameter tolerance	
		high	low	high	low
mm		mm		mm	
50	50	+0,20	+0,08	+0,30	+0,15
80	80	+0,23	+0,09	+0,35	+0,20
80	120	+0,25	+0,10	+0,35	+0,20
120	180	+0,28	+0,12	+0,45	+0,25
180	300	+0,35	+0,15	+0,45	+0,25
300	500	+0,45	+0,20	+0,55	+0,30
500	630	+0,50	+0,22	–	–
630	800	+0,50	+0,24	–	–
800	1 000	+0,55	+0,25	–	–
1 000	1 250	+0,60	+0,27	–	–
1 250	1 600	+0,65	+0,30	–	–

¹⁾ Seals with beaded outside diameter require different tolerances. Contact SKF for sizes outside the listed range.

Table 3

Outside diameter tolerances for inch-size seals

Bore diameter ¹⁾			Seals with outside diameter of steel		elastomer	
D over	incl.	Tolerance	Nominal seal outside diameter	Seal outside diameter tolerance	Nominal seal outside diameter	Seal outside diameter tolerance
in.			in.		in.	
2.000	2.000	±0.001	+0.005	±0.002	+0.008	±0.003
3.000	3.000	±0.001	+0.0055	±0.0025	+0.01	±0.003
3.000	4.000	±0.0015	+0.0065	±0.003	+0.0105	±0.003
4.000	5.000	±0.0015	+0.0065	±0.003	+0.0105	±0.003
5.000	7.000	±0.0015	+0.007	±0.003	+0.012	±0.004
7.000	9.000	±0.002	+0.0085	±0.0035	+0.0125	±0.004
9.000	10.000	±0.002	+0.0085	±0.0035	+0.0125	±0.004

¹⁾ Housing bores made of material other than steel may need a different nominal press-fit tolerance due to differences in thermal coefficients of expansion. Contact SKF for sizes outside the listed range.

Sealing lip design

The form and design of a sealing lip is based on knowledge gained through research and development activities as well as wide practical experience obtained by SKF in close cooperation with users. The distance between the lip and the seal back face, the strength of the flex section, the angle of the lip (→ **fig. 2** on **page 52**) and the tension in the spring are all balanced so that the pressure applied by the garter spring provides a satisfactory sealing performance between the sealing lip and counterface.

The sealing lips of SKF radial shaft seals are manufactured from several materials and two different main designs. The various materials are described on **pages 30 to 32**. There are two main sealing lip designs that differ in the execution of the sealing lip edge. The “conventional” sealing lip (→ **fig. 5**) has a straight edge, whereas the SKF Wave lips (→ **fig. 6**) are moulded with a hydrodynamic feature that results in the lip taking a sinusoidal path on its counterface surface.

SKF Wave seals represent one of the most important developments in radial shaft seals. The sealing lip is moulded to a special form, producing a relative movement on the counterface, imparting hydrodynamic properties. SKF Wave seals are suitable for rotation in both directions. They pump the lubricant back into the bearing arrangement and expel contaminants. The sinusoidal form of the sealing lip considerably extends the path (→ **fig. 6**) on the counterface surface and at the same time reduces the specific surface pressure at the sealing lip/counterface contact.

Fig. 5

Conventional sealing lip with straight edge

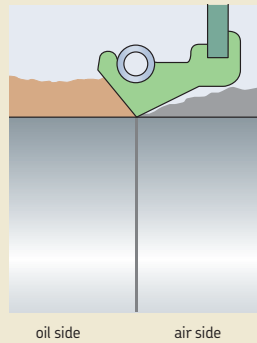
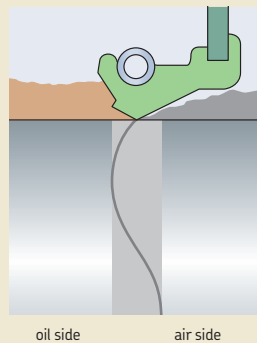


Fig. 6

SKF Wave sealing lip with sinusoidal sealing lip edge



Radial shaft seals

As a consequence, SKF Wave seals produce up to 20% less friction resulting in up to 30% lower temperatures than conventional lip designs (→ **diagrams 1 and 2**). Reduced friction and the sinusoidal path of the sealing lips help prevent the formation of deep tracks in the counterface, resulting in significantly extended service life. SKF Wave seals are recommended where demands for operational reliability and long service life for machines and equipment are high.

SKF seals with conventional spring-loaded sealing lips meet general demands because they are able to provide efficient sealing even under unfavourable operating conditions. To improve sealing performance, some SKF radial shaft seals are designed with hydrodynamic features on the sealing lip. These have either a right-hand twist for shafts that rotate clockwise, or a left-hand twist for shafts that rotate counter-clockwise as seen from the air side. The degree to which the hydrodynamic feature improves the sealing ability depends on the form of the spiral flutes, the circumferential speed, the pressure conditions and the media being sealed. See also paragraph *Oil retention* on **page 18**.

Auxiliary lips

SKF radial shaft seals can also be designed with an auxiliary lip for increased protection against contaminants (→ **fig. 3** on **page 52**). These auxiliary lips are either contacting or non-contacting. Seal designs that incorporate contacting auxiliary lips are used in heavily contaminated environments, with the drawback, however, of creating increased friction and elevated underlip temperatures. The auxiliary lip of HMSA10 and CRWA1/CRWHA1 seals is non-contacting, which means that these designs normally can be used at the same speeds as the single-lip designs HMS5 and CRW1/CRWH1.

Diagram 1

Temperature rise at sealing lip/counterface contact for conventional and SKF Wave lips as a function of rotational speed for a 76 mm diameter shaft with SAE 30 engine oil

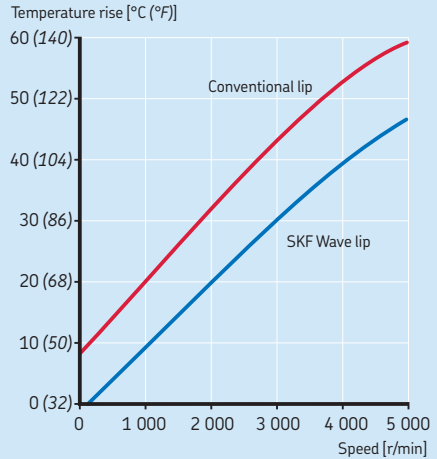
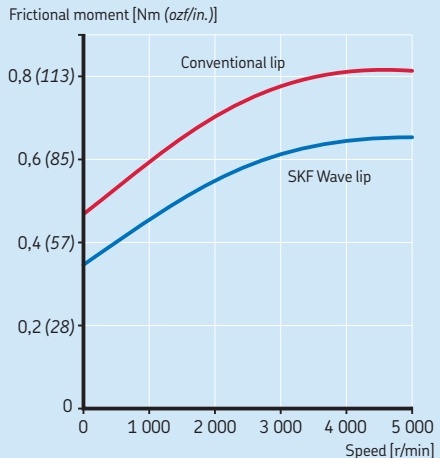


Diagram 2

Frictional moment at sealing lip/counterface contact for conventional and SKF Wave lips as a function of rotational speed for a 76 mm diameter shaft with SAE 30 engine oil



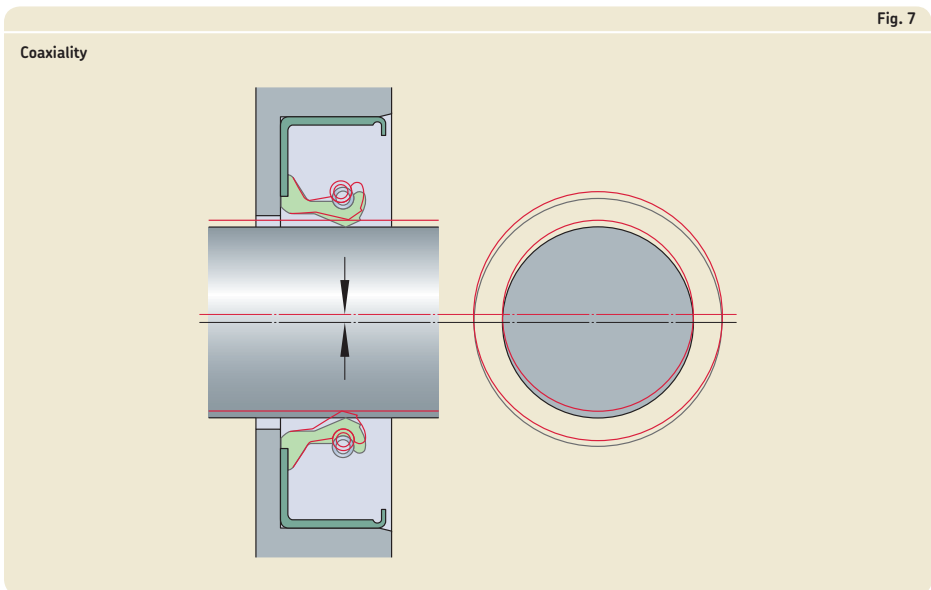
Coaxiality and runout

Deviation from coaxiality and dynamic runout of the shaft are two of many operating parameters that affect seal performance and service life. They should therefore be kept within narrow limits, particularly when there is a pressure differential across the seal. The total deviation should never exceed 1,3 times the value of the permissible deviation from coaxiality.

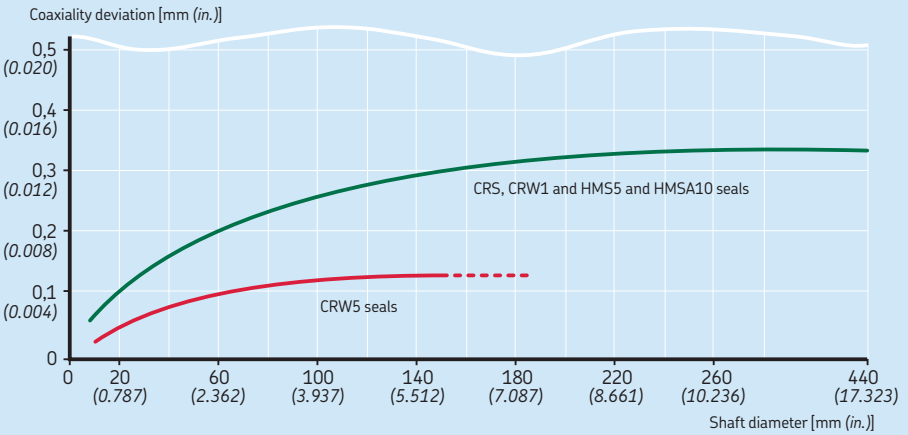
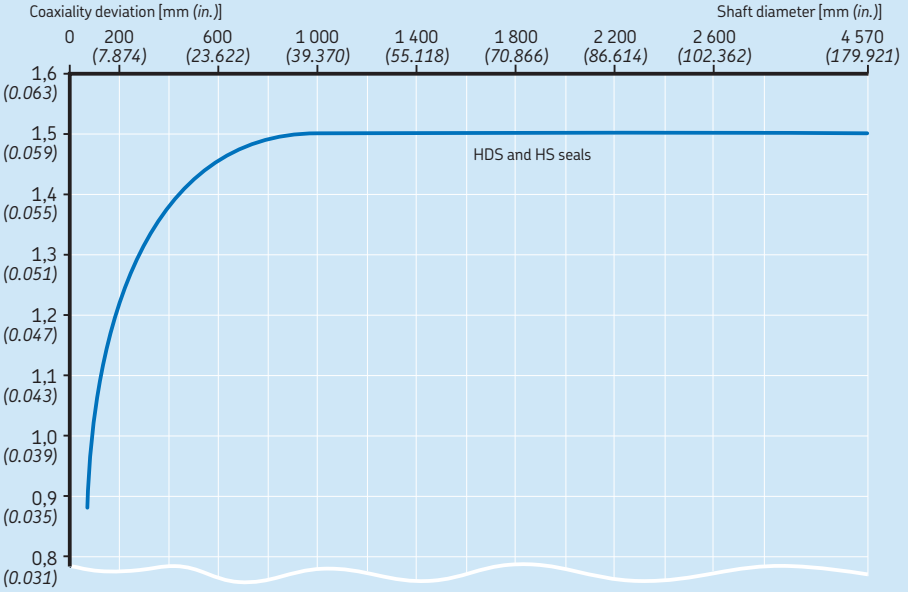
Coaxiality

Deviations from coaxiality, i.e. the difference between the centre lines of the shaft and housing bore (shaft-to-bore misalignment, STBM), cause force to be distributed irregularly on the sealing lip (\rightarrow fig. 7). This means that one section of the sealing lip will be subjected to more force, causing an enlargement of the contact area between lip and counterface surface, whereas the opposite section will be correspondingly unloaded and its sealing effect reduced. Guideline values for the permissible coaxiality deviations for SKF seals can be obtained from **diagram 3** on **page 60**.

2

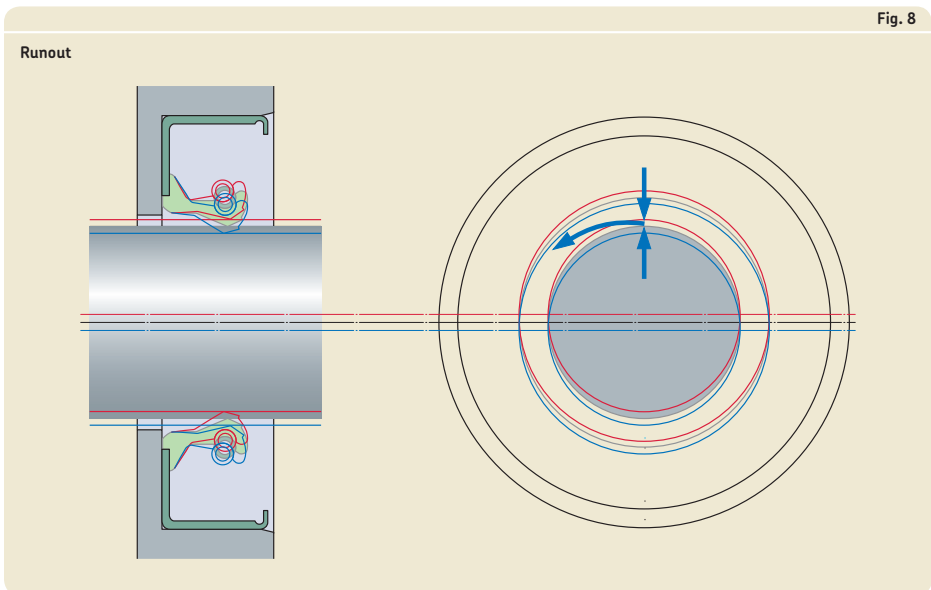


Maximum permissible deviation from coaxiality as a function of shaft diameter

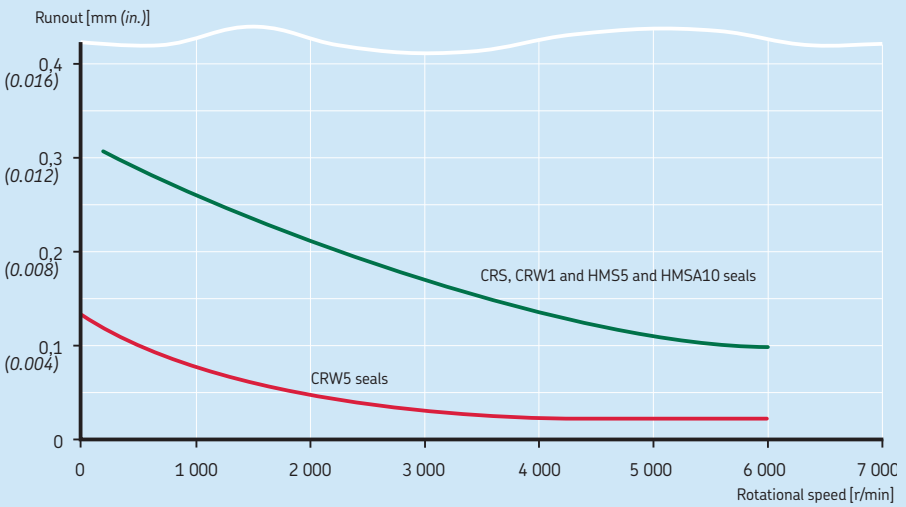
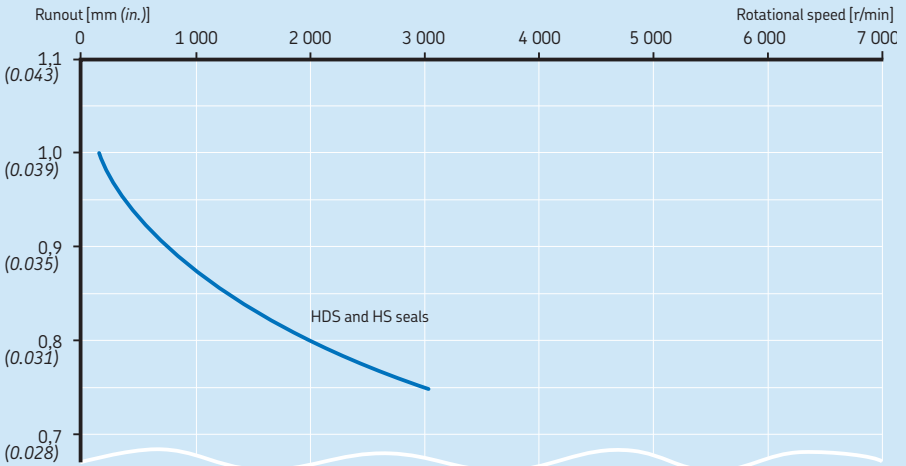


Runout

Runout (or dynamic runout, DRO) describes the dynamic eccentricity of the shaft. Particularly at high speeds, there is a risk that the sealing lip, because of its inertia, will not be able to follow the shaft surface (→ **fig. 8**). If the eccentricity is such that the distance between the sealing lip and shaft becomes larger than that required to maintain a hydrodynamic lubricant film, the medium to be sealed will escape through the gap. It is therefore advisable to arrange the seal in close proximity to the bearing and to keep bearing operating clearance to a minimum. Permissible runout values can be obtained from **diagram 4** on **page 62**. These values are normally lower for narrow seals.



Maximum permissible runout as a function of rotational speed



Axial movement

Small movements of the shaft relative to the housing in the axial direction do not affect seal performance, provided that the total counterface surface meets the same demands relative to hardness, accuracy and surface finish.

Permissible speeds

Guideline values for the permissible rotational and circumferential speeds for different seal designs are provided in the seal selection charts (**matrix 2** on **pages 198 to 201**). If the circumferential speeds provided in the matrix are not sufficient for a particular sealing position, **diagram 5** from DIN 3760 on **page 64** may be used. The diagram lists circumferential and rotational speeds related to the material of the sealing lip. The values are valid for spring-loaded sealing lips that are well-lubricated by a mineral oil, where adequate lubricant supply prevents heat build-up and where the pressure is the same on both sides of the seal (pressure differential = 0).

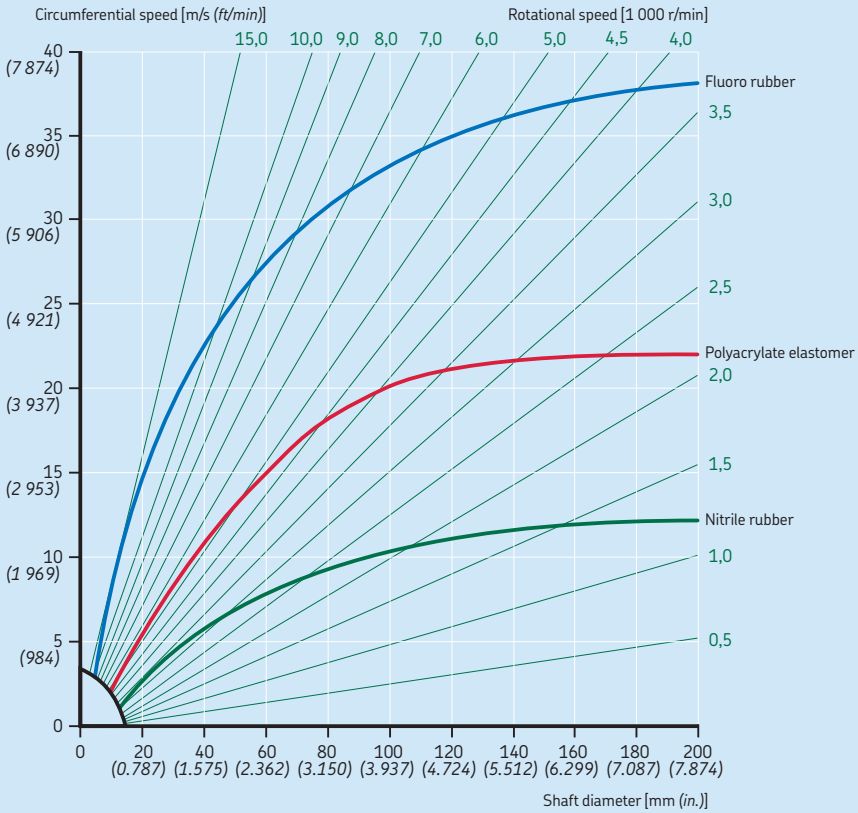
Diagram 5 shows that large diameter shafts can accommodate higher circumferential speeds than shafts with smaller diameters. This is because the cross section of the shaft does not increase linearly with the increase in diameter but by the square of the increase in diameter. Therefore, the heat dissipation of a large shaft is much better than that of a small shaft.

Generally, SKF Wave seals can be operated at higher circumferential speeds than those obtained from **diagram 5** because of the hydrodynamic form of the lip.

The values obtained from **diagram 5** should be reduced if:

- radial shaft seals with an auxiliary, contacting lip are used
- lubrication is inadequate or grease lubrication is used, i.e. when underlip temperatures increase due to poor heat dissipation
- the counterface does not meet surface finish or running accuracy requirements
- there is a pressure differential across the seal

Permissible speeds for spring-loaded sealing lips where no pressure differential exists across seal in operation
 For permissible speeds for seals at shaft diameters > 200 mm, refer to seal selection chart starting on page 92.



Source: DIN standard 3760

Lubrication

For a radial shaft seal to seal efficiently over a long period, the sealing lip must be lubricated. This reduces friction and wear to the sealing lip and shaft. Dry running of sealing lips made of standard materials should always be avoided. To prevent dry running, coat the counterface surface with a suitable lubricant prior to seal installation.

The lubricant must not only lubricate the sealing lip to reduce friction and wear, but also dissipate heat generated by the seal. To promote heat dissipation, a sufficient quantity of lubricant must be able to reach the sealing lip from start-up.

Some rolling bearings, such as angular contact ball bearings, tapered roller bearings and spherical roller thrust bearings, as well as gears, create a pumping action by virtue of their design. This means that the sealing lip can either be starved of lubricant, or subjected to excessive quantities of lubricant. In either case, steps must be taken during the design stage to make sure that the proper amount of lubricant reaches the sealing lip, as too much or too little can affect seal performance.

To prevent lubricant starvation, lubrication ducts can be provided. If the seal is subjected to excessive amounts of lubricant, a flinger can be installed between the bearing and seal.

In applications where the sealing lip is not exposed to a lubricant, for example when two seals are installed in tandem, grease or oil must be supplied separately to provide lip lubrication. In some cases, it may be sufficient to provide an initial grease fill between the two lips.

Lubrication of paired arrangements

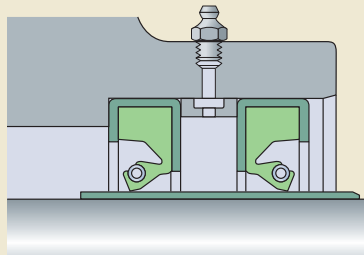
When two radial shaft seals are installed back-to-back or in tandem, the space between the seals should be filled with a suitable lubricant to eliminate the risk of the sealing lip running dry.

To further prevent dry running, a spacing washer between the seals can also be used. This spacing washer should be provided with lubrication holes or an annular groove and lubrication holes so that grease can be supplied to the space between the seals via a grease fitting (→ fig. 9).

2

Fig. 9

Lubrication of a paired arrangement



Friction

To be effective, the lip of a radial shaft seal must always exert a certain radial load on the counterface. The friction resulting from this radial load is only part of the total contact friction and power loss at the sealing position. Other contributing factors include:

- type of medium being sealed
- pressure differential across the seal
- circumferential speed
- ambient temperature
- lubricant and lubrication method
- condition of the counterface

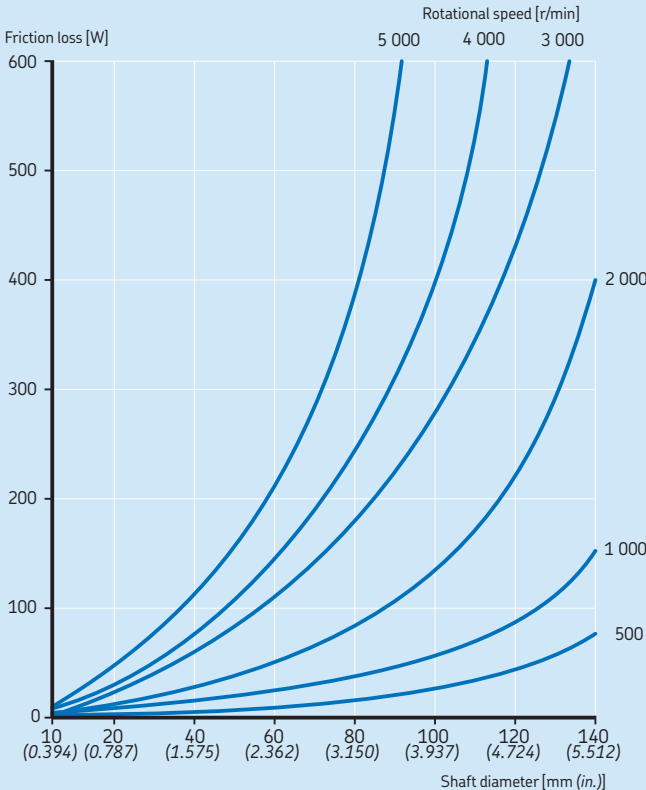
Diagram 6 provides an indication of the friction losses that may be expected when a radial shaft seal with a conventional sealing lip is properly installed and fully lubricated.

The running-in phase of the sealing lip lasts a few hours. During this time, the friction losses are somewhat higher than during normal operation.

Seals intended for applications with high pressure differentials typically have greater losses than specified in the diagram. SKF Wave seals, on the other hand, typically have losses lower than those indicated in the diagram.

Diagram 6

Friction losses of radial shaft seals as a function of rotational speed and shaft diameter



Chemical and thermal resistance

The most important factor when selecting the appropriate elastomer for a radial shaft seal is its chemical resistance to the medium to be sealed or excluded. The operating temperature is another important factor. Heat accelerates ageing of the elastomer and increases the reactivity and aggressiveness of the sealed medium.

Radial shaft seals are mainly used to seal lubricating oils and greases as well as hydraulic fluids (including non-flammable fluids). Guideline values are provided in **table 4 on page 68** for the permissible operating temperatures, i.e. temperatures at which the SKF seals are still chemically resistant. The temperature range stated for a group of media means that the sealing material is resistant when continuously operated within this particular range.

The □ means that, within the group, there are some media that are compatible with the elastomer, but also some that have a detrimental effect on the elastomer.

The ■ means that the seal material is not resistant to media belonging to this group.

For the resistance of seal materials to media not listed in **table 4 on page 68**, refer to the section *Chemical resistance* (→ **page 35**) or contact SKF.

Table 4

Chemical and thermal resistance, radial shaft seal lip materials

Medium to be sealed	Permissible operating temperatures (continuous) for SKF radial shaft seal lip materials ¹⁾							
	R (NBR)		P (ACM)		S (MVQ)		V (FKM)	
	°C	°F	°C	°F	°C	°F	°C	°F
–								
Mineral oil based lubricants								
Motor oils	100	210	130	270	150	300	170	340
Gear oils	80	175	120	250	130	250	150	300
Hypoid gear oils	80	175	120	250	■		150	300
Automatic transmission fluids (ATF oils)	100	210	130	270	□		170	340
Greases	90	195	□		□		□	
Hydraulic fluids	90	195	120	250	□		150	300
Fire-resistant hydraulic fluids								
Oil in water emulsions and aqueous polymer solutions	70	160	■		60	140	□	
Anhydrous fluids	■		■		■		150	300
Other media								
Fuel oils EL and L	90	195	□		■		□	
Water	90	195	■		■		100	210
Alkaline washing solutions	90	195	■		■		100	210
Permissible temperature range for sealing lip								
min:	–40	–40	–40	–40	–60	–75	–40	–40
max:	+100	+210	+150	+300	+160	+320	+200	+390

- Lip material not resistant
- Lip material not resistant to some media in this group

¹⁾ R = nitrile rubber
P = polyacrylate elastomer
S = silicone rubber
V = fluoro rubber

Seals under pressure

When a seal is exposed to pressure, the radial load of the sealing lip increases. This in turn increases the actual sealing lip/shaft contact area, resulting in additional friction and elevated underlip temperatures. Therefore, the guideline values for speeds provided in **diagram 5** on **page 64** do not apply.

Diagram 7 shows an example of lip distortion of a conventional sealing lip design as sump pressure increases, resulting in reduced seal service life.

SKF CRW5 and CRWA5 pressure profile seals (\rightarrow **fig. 10**) are designed to withstand pressure differentials of 0,34 MPa (50 psi) at speeds up to 5 m/s (1 000 ft/min).

When there is a pressure differential across the seal, a shoulder or retaining ring should be used at the low-pressure side of the seal to prevent it from being pressed out of the housing bore (\rightarrow **fig. 11**).

Fig. 10

Pressure profile seals

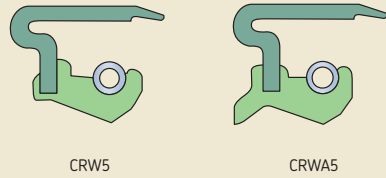


Fig. 11

CRWA5 seal

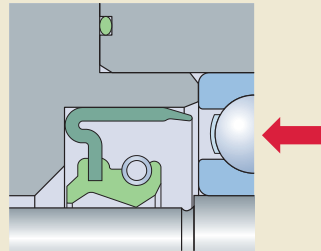
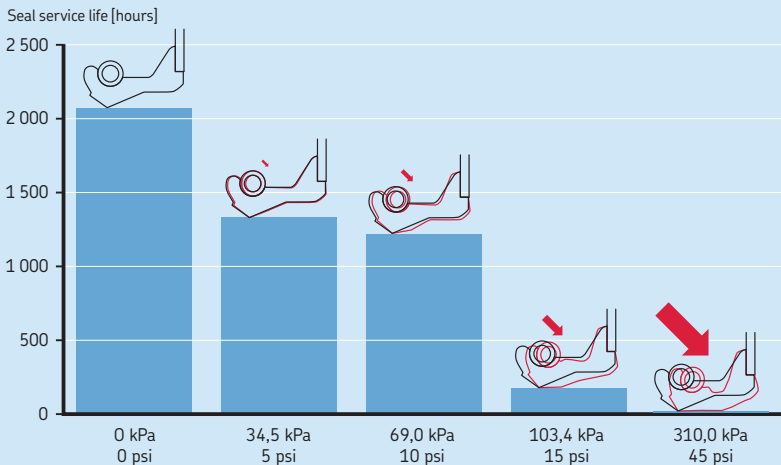


Diagram 7

Seals under pressure

Example of conventional sealing lip distortion as sump pressure increases, resulting in reduced seal service life.



Shaft requirements

General

To achieve reliable sealing performance and maximum service life, the counterface for a radial shaft seal should meet the requirements outlined below. The seal counterface must be able to accommodate all permissible deviations and movements – surface SL and an additional surface SL' – which may be required in the case of repairs or inspection (→ fig. 12).

In cases where a shaft cannot be machined to meet the requirements, SKF recommends the use of SKF Speedi-Sleeve or a wear sleeve for heavy industrial applications (LDSSLV). Detailed information about sleeves is provided in the chapter *Wear sleeves* starting on page 327.

Tolerances

The diameter of the shaft d_1 at the counterface should be machined to the tolerances provided in table 6 for metric shafts and table 7 for inch-size shafts.

Out-of-roundness must be less than 0,005 mm (0.0002 in.) at a maximum of 2 lobes or less than 0,0025 mm (0.0001 in.) at a maximum of 7 lobes.

If components with an interference fit will pass over the counterface during installation, the shaft diameter should be reduced by 0,2 mm (0.008 in.). The seal that was originally chosen can still be used without adversely affecting seal performance.

Surface roughness

The surface roughness values of the counterface for radial shaft seals, calculated according to methods described in ISO 4288 (DIN 4768),

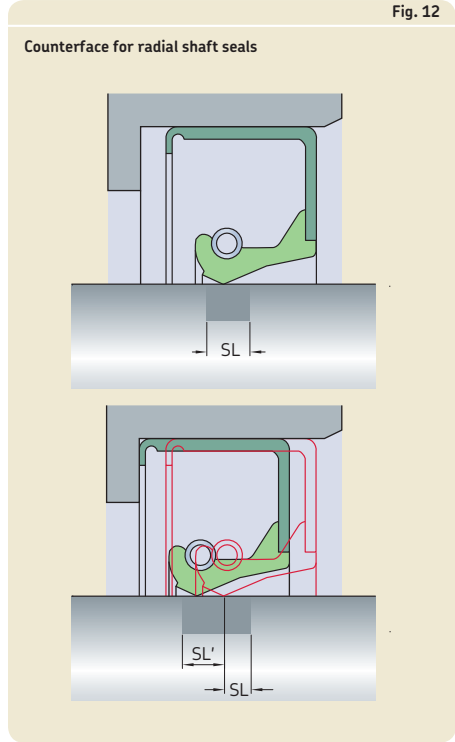


Fig. 12

Counterface for radial shaft seals

should be kept within the limits specified in RMA OS-1-1 (→ table 5).

The lower value for R_a is a minimum value. Using a lower value will adversely affect the lubricant supply to the sealing lip. The temperature rise caused by inadequate lubrication, particularly at high circumferential speeds, can lead to hardening and cracking of the sealing lip which will eventually lead to premature seal failure. If the counterface is too rough, there will be

Table 5

Recommended shaft surface roughness values

	ISO		DIN		RMA	
	μm	$\mu\text{in.}$	μm	$\mu\text{in.}$	μm	$\mu\text{in.}$
R_a	0,2–0,5	8–20	0,2–0,8	8–32	0,2–0,43	8–17
R_z	1,2–3	48–120	1–5	40–200	1,65–2,9	65–115
R_{pm}	N/A	N/A	N/A	N/A	0,5–1,5	20–50

Table 6

Counterface tolerances for metric shafts

Shaft diameter		Diameter tolerance (ISO h11) ¹⁾	
Nominal		Deviation	
d ₁		high	low
over	incl.		
mm		µm	
6	10	0	-90
10	18	0	-110
18	30	0	-130
30	50	0	-160
50	80	0	-190
80	120	0	-220
120	180	0	-250
180	250	0	-290
250	315	0	-320
315	400	0	-360
400	500	0	-400
500	630	0	-440
630	800	0	-500
800	1 000	0	-560
1 000	1 250	0	-660
1 250	1 600	0	-780
1 600	2 000	0	-920
2 000	2 500	0	-1 100
2 500	3 150	0	-1 350
3 150	4 000	0	-1 650
4 000	5 000	0	-2 000

¹⁾ For shaft diameters of 3 150 mm and above, refer to DIN 7172.

Table 7

Counterface tolerances for inch-size shafts

Shaft diameter		Diameter tolerance (RMA 05-4)	
Nominal		Deviation	
d ₁		high	low
over	incl.		
in.		in.	
-	4	+0.003	-0.003
4	6	+0.004	-0.004
6	10	+0.005	-0.005
10		+0.006	-0.006

Radial shaft seals

excessive sealing lip wear and seal service life will be shortened. If the value R_{pm} is exceeded, the seal will leak or excessive sealing lip wear may occur.

Surface finish

Depending on the direction of rotation, directionality on the seal counterface may cause a seal to leak. Plunge grinding is the preferred machining method to minimize directionality ($0 \pm 0,05^\circ$) on the seal counterface. When plunge grinding, whole number ratios of the grinding wheel speed to the work piece speed should be avoided. Run the grinding wheel until it “sparks out” completely, i.e. until there are no more sparks flying from the wheel, to ensure that all lead is removed. The grinding wheel should be dressed using a cluster head dressing tool and the smallest possible lateral feed, or a profile dressing roll without lateral feed. The negative influence of directionality in any particular case can only be ascertained by test running under conditions of alternating rotation.

The seal counterface surface should be free of any damage, scratches, cracks, rust or burrs and should be properly protected until final installation.

Hardness and surface treatment

The surface hardness of the seal counterface should be at least 30 HRC (58 HRC for PTFE lip seals). If the counterface surface could be damaged during transport or installation, this value should be increased to 45 HRC (62 HRC for PTFE lip seals). Under certain conditions, where speeds are low, lubrication is good and contaminants are absent, counterface surfaces having a lower hardness may be suitable. Surfaces that are nitrided, phosphated or have a galvanized coating may also be suitable, but this must be determined for each specific case.

Lead-in chamfers

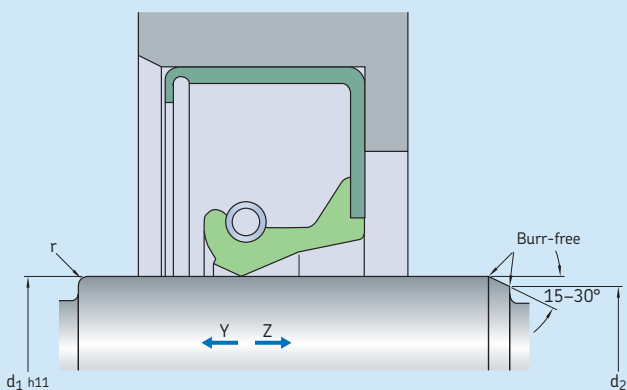
To install radial shaft seals without damaging the sealing lip, SKF recommends chamfering or rounding the shaft ends or shoulders (→ **table 8**).

If the direction of installation is Z, the values ($d_1 - d_2$) provided in **table 8** should be adhered to. If the direction of installation is Y, the shaft end could be either rounded (r) or chamfered ($d_1 - d_2$).

To install a seal over a shaft shoulder or end that has not been rounded or chamfered, SKF recommends using an installation sleeve. See section *Seal installation, heavy industrial applications* on **page 79**.

Table 8

Lead-in chamfers and radii



Shaft diameter Nominal				Diameter difference ¹⁾		Radii Seal without auxiliary lip		Seal with auxiliary lip	
d ₁ over	incl.	over	incl.	d ₁ - d ₂ min		r min		r min	
mm		in.		mm	in.	mm	in.	mm	in.
-	10	-	0.394	1,5	0.059	0,6	0.024	1	0.039
10	20	0.394	0.787	2	0.079	0,6	0.024	1	0.039
20	30	0.787	1.181	2,5	0.098	0,6	0.024	1	0.039
30	40	1.181	1.575	3	0.118	0,6	0.024	1	0.039
40	50	1.575	1.968	3,5	0.138	0,6	0.024	1	0.039
50	70	1.968	2.756	4	0.157	0,6	0.024	1	0.039
70	95	2.756	3.740	4,5	0.177	0,6	0.024	1	0.039
95	130	3.740	5.118	5,5	0.216	1	0.039	2	0.079
130	240	5.118	9.449	7	0.276	1	0.039	2	0.079
240	500	9.449	19.685	11	0.433	2	0.079	3	0.118
500	-	19.685	-	13	0.512	5	0.197	5	0.197

¹⁾ If the corner is blended rather than chamfered, the blended section should not be smaller than the difference in diameters $d_1 - d_2$.

Housing bore requirements

General

To reduce the risk of seal damage during installation, the housing bore should have a 15 to 30° lead-in chamfer. The chamfer should be free of burrs and the transition radius r between the seal seat and shoulder should be in accordance with the recommendations in **table 9**.

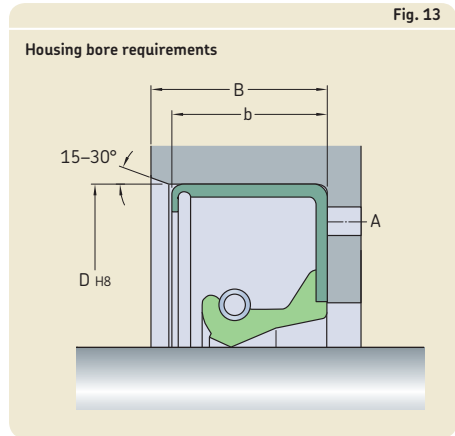
In order to facilitate seal removal, holes in the housing shoulder A can be incorporated during the design stage.

Metal-reinforced seals

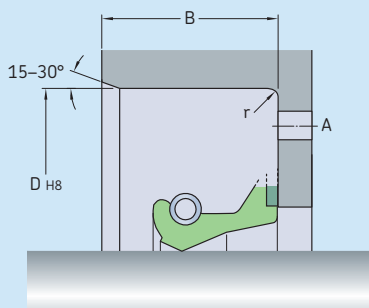
The depth of a metric housing bore B for metal-cased or metal-inserted seals should be at least 0,3 mm (0.012 in.) larger than the nominal seal width b (→ **fig. 13**). The corresponding values for an inch housing bore B are 0.016 in. (0,4 mm).

Seals without metal-reinforcement

Seals without metal reinforcement are manufactured oversized relative to the housing bore diameter and depth to enable proper compression and stability. The actual seal width is approximately 0,4 to 0,8 mm (0.016 to 0.032 in.) wider than the bore depth B. For all-rubber HS seals, the bore depth tolerance should be $\pm 0,13$ mm (0.005 in.) and $\pm 0,10$ mm (0.004 in.) for all-rubber reinforced HSS seals and fabric-reinforced HSF seals. For seals without metal reinforcement, a cover plate is required for a proper fit (→ **page 82**).



Housing bore tolerances



Housing bore for metric seals (ISO)

Nominal diameter D		Housing bore tolerance (ISO tolerance H8)		Fillet radii r max
over	incl.	high	low	
mm		µm		mm
–	3	+14	0	0,3
3	6	+18	0	0,3
6	10	+22	0	0,3
10	18	+27	0	0,3
18	30	+33	0	0,3
30	50	+39	0	0,3
50	80	+46	0	0,4
80	120	+54	0	0,8
120	180	+63	0	0,8
180	250	+72	0	0,8
250	315	+81	0	0,8
315	400	+89	0	0,8
400	500	+97	0	0,8
500	630	+110	0	0,8
630	800	+125	0	0,8
800	1 000	+140	0	0,8
1 000	1 250	+165	0	0,8
1 250	1 600	+195	0	0,8
1 600	2 000	+230	0	0,8
2 000	2 500	+280	0	0,8
2 500	3 150	+330	0	0,8
3 150 ¹⁾	4 000	+410	0	0,8
4 000 ¹⁾	5 000	+500	0	0,8

Housing bore for inch-size seals (RMA)

Nominal diameter D		Housing bore tolerance		Fillet radii r max
over	incl.	high	low	
in.		in.		in.
–	3.000	+0.001	–0.001	0.031
3.000	7.000	+0.0015	–0.0015	0.031
7.000	10.000	+0.002	–0.002	0.031
10.000 ²⁾	12.000	+0.002	–0.002	0.031
12.000 ²⁾	20.000	+0.003	–0.003	0.031
20.000 ²⁾	40.000	+0.004	–0.004	0.031
40.000 ²⁾	60.000	+0.006	–0.006	0.031

¹⁾ SKF recommended bore specifications not covered in ISO 286-2

²⁾ SKF recommended bore specifications not covered in RMA OS-4

Radial shaft seals

Tolerances

The housing bore diameter D should be machined to tolerance H8 (→ **table 9** on **page 75**). Depending on the operating conditions, out-of-roundness should be 1 to 2 tolerance grades better than H8.

Surface roughness

The surface roughness (to ISO 4288 or DIN 4768) of the housing bore should be kept within the limits specified in **table 10**.

Table 10

Recommended housing bore surface roughness values

	ISO ¹⁾		DIN		RMA ²⁾³⁾	
	μm	$\mu\text{in.}$	μm	$\mu\text{in.}$	μm	$\mu\text{in.}$
R_a	1,6–3,2	64–128	1,6–3,2	64–128	1–2,5	40–100
R_z	6,3–12,5	252–500	10–20	400–800	N/A	N/A
R_{max}	N/A	N/A	25	1 000	N/A	N/A

¹⁾ ISO – The housing bore surface roughness may require lower values when metal-cased seals are used, in which case they should be subject to agreement between the manufacturer and user.

²⁾ RMA – If the bore surface texture is greater than 2,5 μm (100 $\mu\text{in.}$) R_a , a sealant should be used.

³⁾ RMA – Turned bores, where a lubricant head of up to 0,20 bar (3.0 psi) is present at the seal. If this texture is maintained and tool removal marks or bore defects are not present, no outside diameter leakage should occur.

Seal installation, general industrial applications

General

To provide effective sealing, radial shaft seals must be installed properly. An experienced installer with suitable tools, working in a clean environment, is recommended to provide proper installation. The shaft counterface surface and housing bore should meet the demands specified under *Shaft requirements* and *Housing bore requirements* on **pages 70 to 76**.

To facilitate seal installation and to achieve initial lubrication, prior to installation, SKF recommends wiping the shaft and seal with the lubricant that is going to be retained. While the outside diameter of metal-cased seals can be lightly lubricated to ease installation, the outside diameter of rubber covered seals should always be lubricated.

Seals with an auxiliary, contacting lip can also be filled with grease between the sealing lip and auxiliary lip to reduce frictional moment. This does not apply to silicone rubber seals and seals with hydrodynamic features, other than SKF Wave lip designs.

SKF also recommends using a hydraulic press, with suitable tools, to install a seal in its housing bore. Pressure should be applied as close as possible to the outside diameter of the seal.

Seals that are designed to sit flush with the wall of the housing bore must be installed perpendicular to the housing bore axis. The outside diameter of the tool should be larger than the housing bore diameter (→ **fig. 14**).

When pressing seals up against a shoulder or retaining ring, it is advisable to use tools of the type shown in **figs. 15 and 16**. The necessary ring dimensions can be supplied on request.

Fig. 14

Preferred installation method

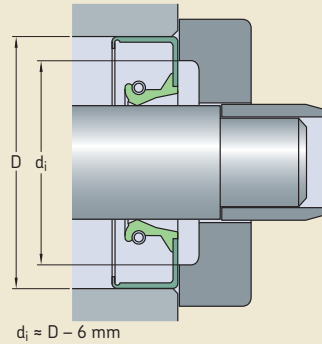


Fig. 15

Alternative installation method

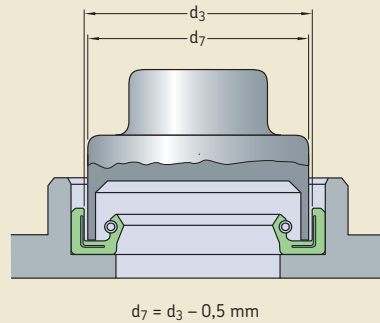
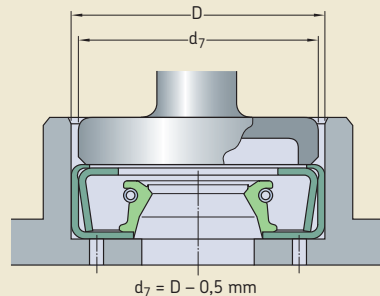


Fig. 16

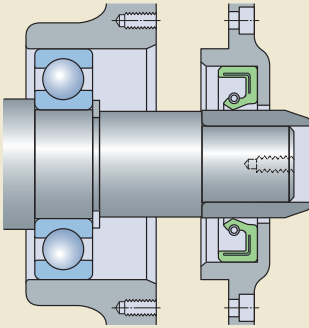
Alternative installation method



Radial shaft seals

Fig. 17

Installation sleeve



When installing seals on stepped shafts, where the shoulders do not have the recommended chamfer or rounded transition, an installation sleeve as shown in **fig. 17** must be used. If the sealing lip has to pass over grooves, threads or gearing, thin-walled installation sleeves, like those shown in **fig. 18**, can be used to prevent the lip from being damaged. The outside surface of the sleeve should be coated with the same lubricant that is used to lubricate the seal and counterface surface.

Radial shaft seals made of silicone rubber should always be installed using an installation sleeve.

The tools used to install a seal at a certain distance in a cylindrical opening in a housing are shown in **figs. 19** and **20**. Instructions for designing the tools can be supplied on request.

Fig. 18

Thin-walled installation sleeve

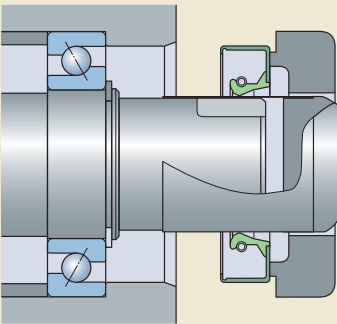
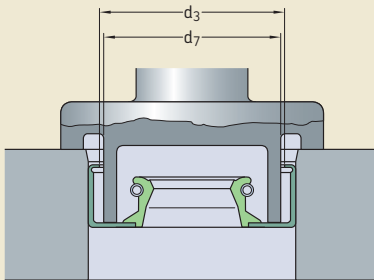


Fig. 19

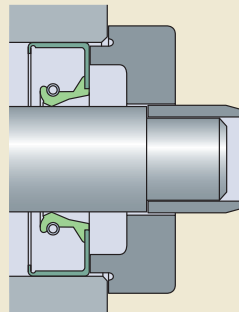
Installation in a cylindrical opening



$$d_7 = d_3 - 0,5 \text{ mm}$$

Fig. 20

Installation in a cylindrical opening



Seal installation, heavy industrial applications

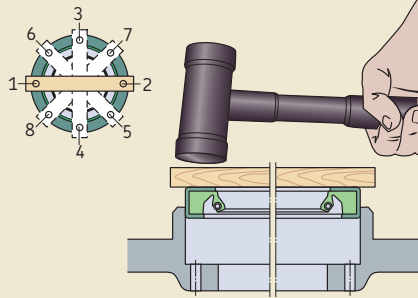
Metal-reinforced seals

When installing metal-reinforced seals, the first step is to check the shaft and housing bore for proper specifications and condition. Next, coat both the seal and bore lightly with a lubricant, preferably the same one that will be used to lubricate the application. For large diameter seals, a special installation tool may not be practical. In these cases, do not hit the seal or seal case directly. Instead, use a wooden block, long enough to span the seal's outside diameter. When using this method, it is important to apply hammer-blows evenly and sequentially to the wood piece around the seal circumference to prevent the seal from tilting or skewing. SKF also recommends the use of a dead blow hammer for full energy transfer with less impact (→ **fig. 21**).

In some applications, the housing is designed for two seals in tandem, or a seal might have to be recessed further into the bore depth. In those cases, first set the seal flush with the housing using the method described above. Then, use a shorter piece of wood to drive the seal deeper into the bore utilizing a sequential pattern (→ **fig. 22**).

Fig. 21

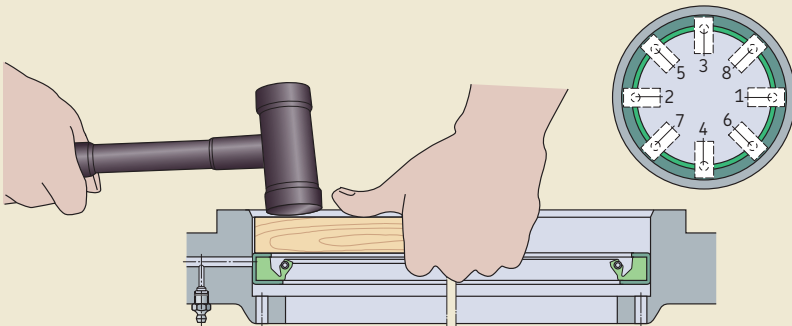
Use a dead blow hammer



2

Fig. 22

Installation deeper into the bore



Radial shaft seals

Seals without metal reinforcement

Be sure that the shaft surface and housing bore are clean and that they meet the specifications listed in *Shaft requirements* and *Housing bore requirements* on **pages 70 to 76**. Special care must be taken to avoid nicks and burrs on the shaft and to make sure that the spring is retained in the spring groove.

HS seals are installed differently depending on whether their main purpose in a specific application is to retain lubricant or to exclude contaminants (→ **fig. 23**).

Split seals

Where appropriate, insert the spring in the SKF Springlock groove and position the spring connection, so that it is displaced with regard to the seal joint (→ **A** in **fig. 24**). This is standard with all HS8 seals. Put the seal in the correct position on the shaft.

Lightly coat both the seal and counterface surface with a lubricant, preferably the same lubricant that will be used to lubricate the application (**B**).

Join the ends of the garter spring by using the spring connector (**C**).

For threaded connectors, back-wind the spring a couple of turns before the ends are

brought together and allowed to thread into each other. When using a hook-and-eye connector, draw the ends of the spring together and insert the hook into the eye, taking care not to over-stretch the spring in the process, as this might impair seal performance. When using a control-wire connector, draw the seal ends together and insert the control wire into the centre of the spring coil.

Position the seal joint on the shaft so that it is at the 12 o'clock position and push both ends of the joint into the housing bore (**D**). Do not push only one joint and then work around the shaft as this will create an excess length, making installation difficult or impossible.

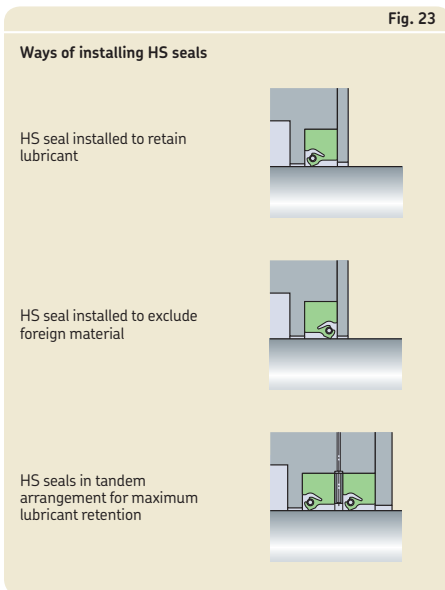
Continue at the 3 and 9 o'clock positions, push the rest of the seal into position (**E**) and finish simultaneously at the 6 and 12 o'clock positions. For shaft diameters $\geq 1\,200$ mm (47 in.), it is advisable to fix the seal at the 12, 3, 6 and 9 o'clock positions before locating the remaining sections of the seal.

Use a small block of wood to push the seal in the housing bore until it contacts the housing shoulder (**E**).

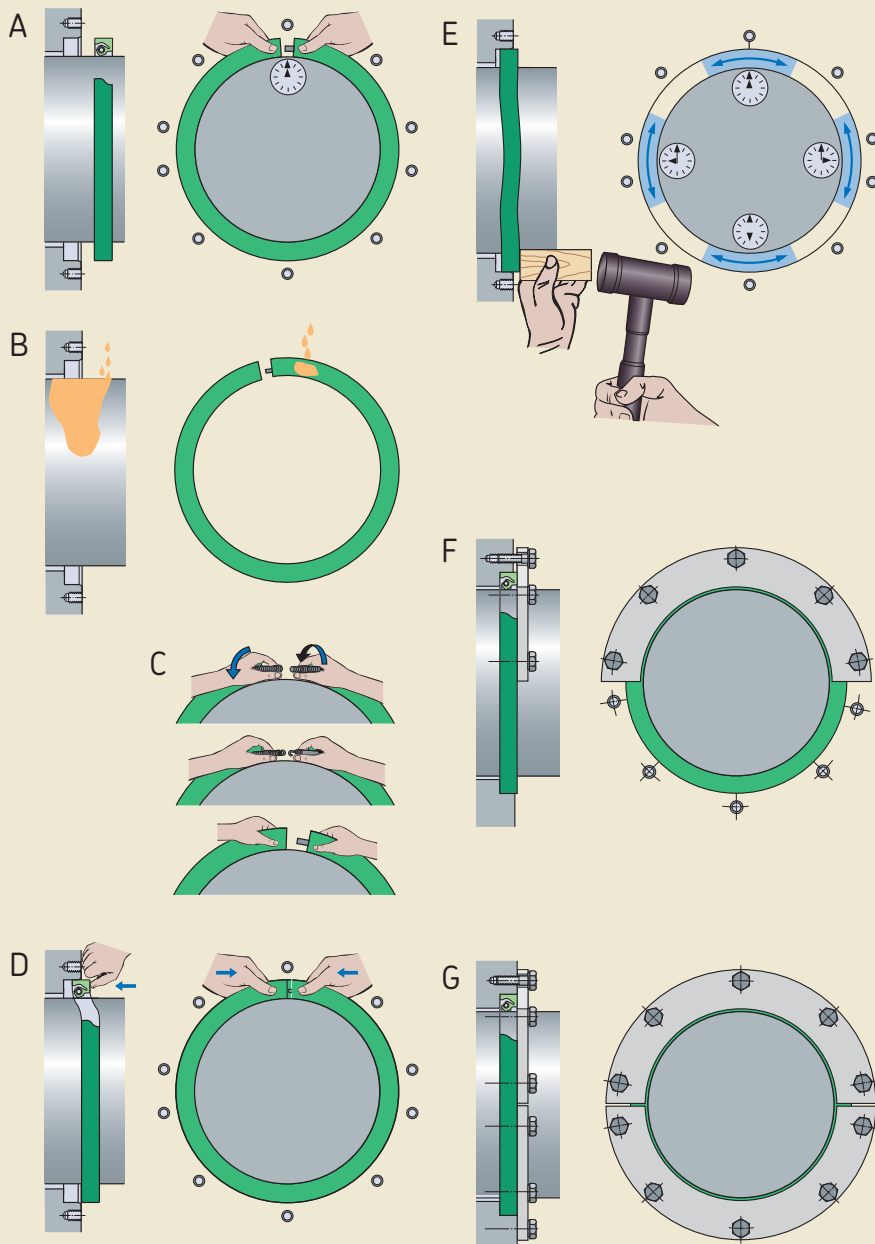
Check the seal condition, particularly at the joint, to make sure that it has been positioned properly.

Install the cover plate (see paragraph *Cover plates* on **page 82**) on the housing face. Tighten the bolts evenly until the end cover abuts the housing face (**F** and **G**).

Fig. 23



Installing a split seal



2

Radial shaft seals

Cover plates

Seals without metal reinforcement, split and solid, are manufactured oversized relative to the housing bore diameter and depth to enable proper compression and stability. A cover plate (→ fig. 25) provides axial compression of the seal and stabilizes it in the housing bore to achieve maximum seal performance. The cover plate must be dimensioned properly to obtain the required fit. It should be thick enough not to bend or distort. Generally, a thickness of 6,35 to 12,7 mm (0.25 to 0.50 in.) is sufficient.

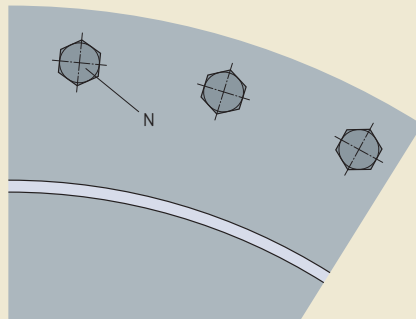
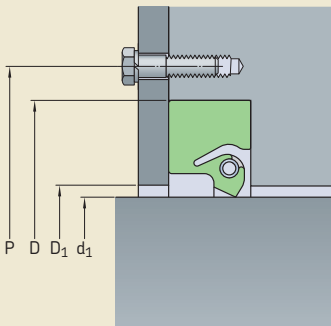
The plate should be fastened with bolts, no more than 150 mm (6 in.) apart, on a bolt circle located as close to the seal housing bore as practical. The cover plate should be flat and the housing bore depth uniform. Splitting the cover plate at 180° will make seal replacement easier, particularly in confined areas.

To block surges of lubricant toward the seal from the inside and to protect the seal from damage from the outside, SKF recommends dimensioning the inside diameter of the cover plate so that it is 6 to 8 mm (0.25 to 0.30 in.) greater than the shaft diameter to accommodate shaft-to-bore misalignment and runout (→ fig. 25).

In applications where supplementary sealing is necessary, and it is impractical to machine the original housing to provide a seal cavity, a seal cavity can be incorporated into a new plate that is bolted into place as illustrated in fig. 26.

Fig. 25

Cover plate recommendations



Inside diameter of cover: $D_1 = d_1 + 6 \dots 8$ [mm]
Pitch circle diameter of screws: $P = 1,1 D$ [mm]
No. of attachment screws: $N = 0,02 P$

Fig. 26

Cover plate

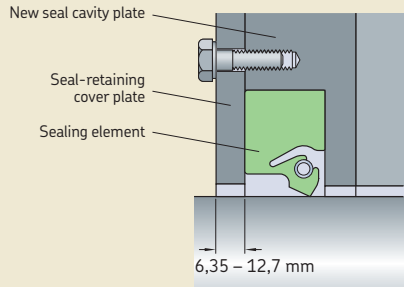


Fig. 27

Spacing washer

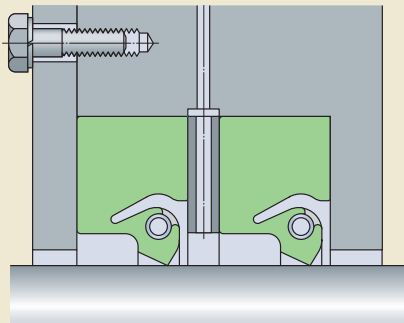
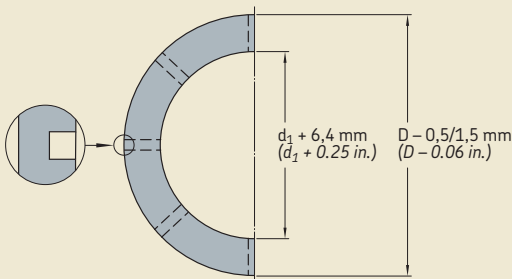


Fig. 28

Details of spacing washer for central lubrication

A separator between two seals can be a slotted washer to promote distribution of the lubricant.



Multiple HS seal installations

When installing two split all-rubber HS seals in one cavity, the locations of the split joints should be staggered by 30° to 60° to minimize the risk of leakage through the joints. The splits should be located toward the top of the bore. Grease the cavity between the seals to provide lubricant to the outer sealing lip.

When two HS seals, split or solid, are installed in the same housing bore, a spacing washer must be placed between the two seals (\rightarrow fig. 27). Suitable washer dimensions can be determined based on the shaft and housing bore diameters, d_1 and D , respectively:

washer inside diameter
 $= d_1 + 6$ to 10 mm (0.25 to 0.4 in.)

washer outside diameter
 $= D - 0,5$ to $1,5$ mm (0.02 to 0.06 in.)

The width of the washer is determined by the application conditions. There should, however, always be sufficient room for lubrication holes to be provided in the circumference, or lubrication grooves in one side face (\rightarrow fig. 28). These lubrication provisions must enable grease to be supplied from the housing to the sealing lips via a drilled passage or grease fitting (\rightarrow fig. 29 on page 84). When determining what washer width is appropriate for the depth of a housing bore, it is necessary to consider the axial displacement required when clamping the seals.

Radial shaft seals

Multiple HDS seal installations

When installing two metal-cased radial shaft seals in the same housing bore, either in a tandem or back-to-back arrangement, care must be taken that neither of the sealing lips can run dry at any time. To reduce the risk of dry running, the space between the seals should be filled with a suitable grease.

To avoid dry running, SKF recommends using spacer lugs or a spacing washer between the two seals. The spacing washer should be provided with lubrication holes so that grease can be supplied to the space between the sealing lips via a grease fitting (→ **fig. 29**). No spacing washer is required when using seals that have spacer lugs built into the air side of the metal case (→ **fig. 30**). HDS and HDSE seals can be supplied from SKF with holes pre-drilled in the metal case to mate with corresponding passages in the housing bore.

Fig. 29

Spacing washer and grease fitting

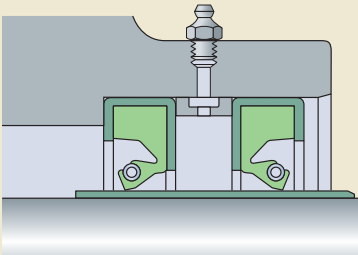
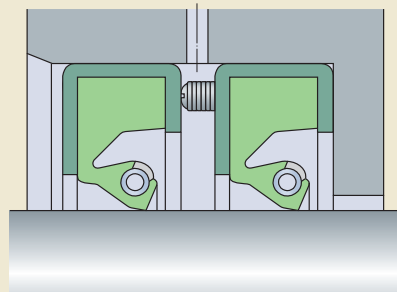


Fig. 30

Spacer lug



PTFE seals

In most cases, small diameter PTFE seals are shipped on a tube that maintains a nominal seal inside diameter (smaller than shaft diameter) during storage. Therefore, they should not be removed from the shipping tube until immediately prior to installation. Also, if quality inspections must be done, SKF recommends that the shipping tube remains in place. The seal inside diameter cannot be accurately measured anyway after manufacturing as the PTFE lip configuration changes over time as it relaxes.

PTFE formulations used for radial lip seals are generally more aggressive and abrasive to the shaft than standard elastomeric materials. Therefore, PTFE sealing lips require a surface hardness value of 58 to 62 HRC. An alternative to a hardened shaft surface is the use of an SKF wear sleeve, manufactured to the same high standards such as the inner rings of SKF needle roller bearings, offering an excellent sealing surface.

In applications where PTFE seals will be retaining a lubricant or be fully flooded with a fluid, the seals should be installed dry. In applications that run dry or will be starved for lubrication, the sealing lip should be pre-lubricated with a grease appropriate for the temperature conditions of the application.

WARNING: At temperatures above 300 °C (570 °F), all PTFE compounds give off dangerous fumes. For additional information, refer to **page 32**.

Radial shaft seals

Installation procedure

PTFE lips do not have the same elastic properties as rubber lips, which makes them more susceptible to damage. Therefore, special care must be taken during installation and handling to prevent damage and help ensure proper operation and function. Shaft features such as keyways and splines, as well as drill holes, ports and sharp-edged shaft steps have the potential to damage PTFE lips. Whenever possible, these obstructions can be covered by using thin-walled installation tools made from plastic or metal.

PTFE lip orientation during installation will determine the installation method. Installation is more difficult when the shaft is installed against the PTFE lip (→ **fig. 31, a and c**). This type of installation becomes even more complicated when the hardware is difficult to access or visually obstructed and may not be possible if an installation tool cannot be used. In any case, when the shaft is installed against the PTFE lip, SKF recommends the use of an installation cone or “bullet”. SKF can quote and manufacture

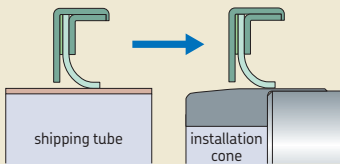
installation cones if detailed drawings of the shaft and sealing areas are provided. In lieu of installation cones, longer than normal lead-in chamfers on the shaft would be required. However, shaft features that could damage the seal (keyways, etc.) must still be covered, possibly with tape.

If the shaft is installed with the PTFE lip, a smooth, burr-free radius or chamfer on the shaft end is all that is required, provided that no damaging shaft features are present as noted above (→ **fig. 31, b and d**).

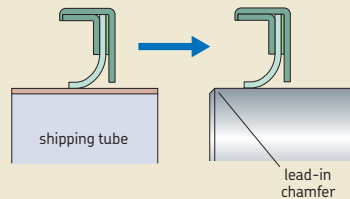
Some seals have two PTFE lips facing opposite directions. In this case, installation is always against one of the lips and an installation cone is recommended.

Fig. 31

Seals with a PTFE sealing lip

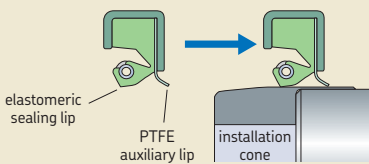


a) Installation against the PTFE lip

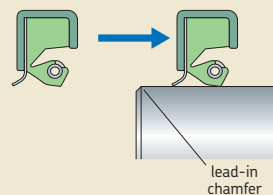


b) Installation with the PTFE lip

Seals with an elastomeric sealing lip and a PTFE auxiliary lip



c) Installation against the PTFE lip



d) Installation with the PTFE lip

Protecting the counterface surface against corrosion

The seal counterface surface should be protected from corrosion until the machine is operational. Be sure to use a rust inhibitor that will last for a year, whether or not the shaft is exposed.

The protective coating should be soluble in the medium to be retained and must not cause any chemical separation as this can impair the sealing performance.

When machines are transported, stored under unfavourable conditions, or out of service for extended periods, special rust inhibitors should be used. These rust inhibitors should form a tough, pliable waxy film that can be removed using neutral solvents that leave an oily residue.

Removal

Because radial shaft seals should never be re-used, there is no need to worry about damaging the seal when removing it. However, prior to removal, it is advisable to note the direction in which the seal is installed so that the replacement seal can be installed in the same direction. Small seals can generally be removed using a screwdriver, taking care not to damage the shaft surface. The removal of large-size seals is made easier if holes have been provided in the housing shoulder A, see picture in **table 9, page 75**, allowing access for a drift.

Replacement

The lip of the replacement seal should not run on the same path as the lip of the old seal. There are several ways to achieve this:

- Install SKF Speedi-Sleeve, see **page 327**.
- Rework or replace the counterface (this may entail removing the shaft).
- Install a spacing ring in the housing bore between the housing shoulder and the seal (→ **fig. 32**).
- Press the new seal to a different depth in a cylindrical opening in the housing, i.e. toward the medium to be sealed.

When choosing a replacement seal, be sure that its design and material correspond to the original seal. In case of doubt, select a seal that meets the operating conditions of the application, and that the seal materials are compatible with the lubricant.

Seals made from a different material should only be used when absolutely necessary. In these cases, the recommendations provided in **table 11** should be followed. The order in which the materials are listed is an indication of their suitability.

If a seal of the same design is not available in the same width as the original, then a somewhat narrower seal can be used, or if the depth of the housing bore allows, a somewhat wider seal can be selected as the replacement.

Fig. 32

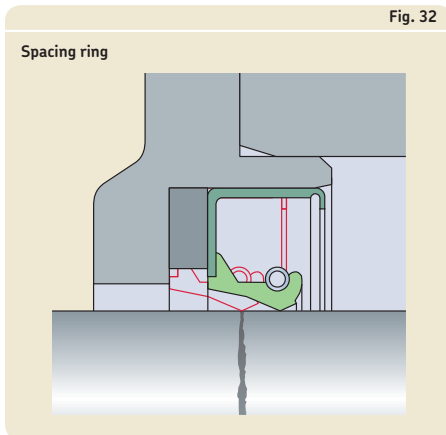


Table 11

Replacement sealing lip materials

Original	Replacement
Felt	Nitrile rubber Polyacrylate elastomer Fluoro rubber
Leather	Nitrile rubber Fluoro rubber
Nitrile rubber	Polyacrylate elastomer Fluoro rubber Silicone rubber
Polyacrylate elastomer	Fluoro rubber Silicone rubber
Silicone rubber	Fluoro rubber

Designation system

Metric radial shaft seals

Designations of all SKF metric radial shaft seals specify shaft diameter, housing bore diameter and nominal seal width (bore depth for HSF and HS seals) in millimetres, followed by design and the code of the sealing lip material (→ table 12).

Inch-size radial shaft seals

Inch-size SKF radial shaft seals are identified by their stock number that consists of four to seven digits. The stock number provides an indication of seal size.

Four-figure numbers are used for radial shaft seals for

shaft diameters: $d_1 \leq 1$ in., e.g.
3680 $d_1 = 0.375$ in.

Five-figure numbers are used for radial shaft seals for

shaft diameters: $d_1 \leq 10$ in., e.g.
41287 $d_1 = 4.125$ in.
97545 $d_1 = 9.750$ in.

Six- and seven-figure numbers are used for radial shaft seals for

shaft diameters: $d_1 \geq 10$ in., e.g.
120061 $d_1 = 12$ in.
1375242 $d_1 = 13.75$ in.

Assortment and availability

The SKF assortment of radial shaft seals comprises some 200 designs and executions for applications within basically all industries. The radial shaft seals described in this publication belong to the standard range and most of them are available in both metric and inch sizes. New seal designs and sizes are continually added. For additional information, contact SKF.

Designation system for metric radial shaft seals

	<u>55 x 72 x 8</u>	<u>HMSA10</u>	<u>RG</u>	<u>1</u>
Dimensions				
55	Shaft diameter			
72	Housing bore diameter			
8	Nominal seal width (bore depth for HSF and HS seals)			
Design				
HMSA10				
Lip material				
RG	Acrylonitrile-butadiene rubber, SKF developed, used for the HMS5 and HMSA10 seals			
Execution				
1, 2 ...	Seals of the same size and design that differ in execution from the basic design are identified by a number e.g. R1			

Radial shaft seals

Seals for general industrial applications, selected main designs

RG, R Nitrile rubber
 V Fluoro rubber
 T Polytetrafluoroethylene (PTFE)

Seal designs

Design















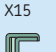





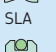


Outside diameter
 Configuration

Material
 code

Sealing lip
 Configuration

Material
 code

Auxiliary lip
 A = Contacting
 B = Non-contacting

			Rubber	RG, V	Straight	RG V	B (HMSA10)
HMS5	HMSA10						
			Metal	N/A	SKF Wave	R V	N/A
CRW1	CRWH1						
			Metal	N/A	SKF Wave	R V	B
CRWA1	CRWHA1						
			Metal	N/A	SKF Wave	R V	A (CRWA5)
CRW5	CRWA5						
			Metal	N/A	Straight	R V	N/A
CRS1	CRSH1						
			Metal	N/A	Straight	R V	A
CRSA1	CRSHA1						
			Metal	N/A	Straight	R V	N/A
HM14							
			Rubber	R	Special	R	N/A
X15							
			Metal	N/A	Special	T	N/A
SL	SLX	SLS					
			Metal	N/A	Special	T	A (SLA, DLA)
SLA	DL	DLA					
			Fluoroplastic/ (rubber)	T (+ R, V)	Special	T	N/A
YSLE	YNSLE	YSL					

* PTFE designs are made to order to handle temperatures, pressures and speeds that may exceed those stated for rubber sealing lip designs.

Operating temperature range				Shaft-to-bore misalignment (STBM) TIR		Dynamic runout (DRO) TIR		Pressure differential		Maximum shaft surface speed	
from	to	from	to								
°C		°F		mm	in.	mm	in.	MPa	psi	m/s	ft/min
-40	100	-40	210	0,38	0.015	0,51	0.020	0,05	7	14	2 755
-40	200	-40	390								
-40	100	-40	210	0,38	0.015	0,51	0.020	0,07	10	18	3 600
-40	200	-40	390								
-40	100	-40	210	0,38	0.015	0,51	0.020	0,07	10	18	3 600
-40	200	-40	390								
-40	100	-40	210	0,13	0.005	0,13	0.005	0,35	50	10	2 000
-40	200	-40	390								
-40	100	-40	210	0,38	0.015	0,51	0.020	0,07	10	18	3 600
-40	200	-40	390								
-40	100	-40	210	0,38	0.015	0,51	0.020	0,07	10	18	3 600
-40	200	-40	390								
-40	100	-40	210	0,13	0.005	0,08	0.003	0,07	10	10	2 000
-40	200	-40	390								
-40	100	-40	210	0,38	0.015	0,25	0.010	0,02	3	2,54	500
-40	200	-40	390								
-70	250	-95	480	*	*	*	*	*	*	*	*
-70	250	-95	480	*	*	*	*	*	*	*	*
-70	250	-95	480	*	*	*	*	*	*	*	*

Seals for general industrial applications

HMS5 and HMSA10 seals

Main features

SKF metric rubber outside diameter radial shaft seals, HMS5 and HMSA10, are designed in accordance with ISO 6194-1 and DIN 3760 for use in a wide range of industrial applications. The available size range of HMS5 and HMSA10 seals includes a full coverage of the ISO 6194-1 and DIN 3760 dimensions for shaft diameters up to 250 mm (9.842 in.) as well as an extensive range of dimensions commonly used in the market. New dimensions are continually added. Main features include:

- optimized sealing lip material
- spring-loaded sealing lip
- optimally balanced sealing lip and flex section
- beaded outside diameter
- auxiliary lip (HMSA10 seals only)

Design

The rubber outside diameter provides optimized sealing ability in the housing, also at considerable surface roughness or in split housings. The beads on the outside diameter provide improved sealing ability and retention in the bore. They also prevent spring-back during installation.

The spring-loaded sealing lip contributes to a quick response in handling dynamic runout and maintaining the sealing performance, even when sealing lip wear is excessive.

Sealing lip and flex section are optimally balanced to withstand both high dynamic runout and shaft-to-bore misalignment.

The auxiliary lip on HMSA10 seals is non-contacting, which means that the seals normally can operate at the same speeds as the single-lip HMS5 seals.

HMS5



HMSA10



Material

The optimized nitrile rubber compound used for the HMS5 and HMSA10 seals has the designation suffix RG. The compound is the result of long experience and the latest findings from the SKF seal material developments. Advantages of this material include:

- good resistance to ageing
- very good compatibility with synthetic oils
- very good pumping ability
- good wear resistance

Pumping ability is defined as the time it takes for the seal to return a certain amount of oil from the air side to the oil side. The microstructure of SKF's RG nitrile rubber compound promotes rapid pumping of the oil, (→ **table 13**). In **diagram 8**, results from endurance tests show the extended service life of seals made of the optimized nitrile compound.

The complete range of HMS5 and HMSA10 seals is also available in a fluoro rubber compound with a stainless steel garter spring. This rubber compound has the designation suffix V and is used in applications where temperatures exceed the limits of nitrile rubber.

Applications and operating conditions

HMS5 and HMSA10 seals are designed for oil or grease lubricated applications with operating temperatures ranging from -40 to $+100$ °C (-40 to $+210$ °F), short-term up to 120 °C (250 °F). These seals are also appropriate for sealing lubricants within a wide range of viscosities.

Circumferential speed: up to 14 m/s
(2 755 ft/min)

Operating pressure: max 0,05 MPa (7 psi)

These values are the maximum value for each service condition and should not occur together. Consideration should be given as to how the operating conditions affect each other. For information on seals under pressure, see **page 69**.

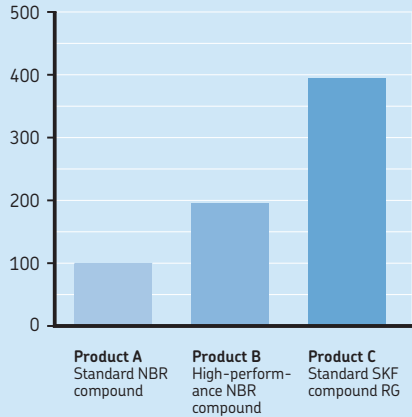
Table 13

Speed Rotating	Circum- ferential	Pumping time	
		Standard NBR	SKF compound RG
r/min	m/s	s	
1 000	3,1	–	117
1 500	4,7	280	69
2 000	6,3	186	50
2 500	7,9	130	40
3 000	9,4	102	31
3 500	11,0	82	25
4 000	12,6	68	21
4 500	14,1	57	18

Shaft diameter 60 mm, engine oil SAE 30

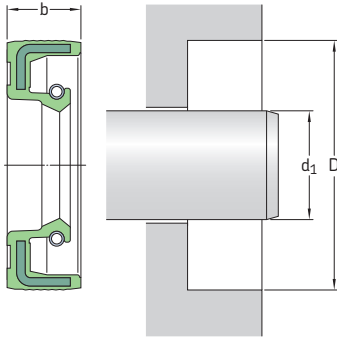
Diagram 8

Average seal life
(as a percentage of baseline, product A)



Radial shaft seals – HMS5 and HMSA10

d₁ 6 – 25 mm



¹⁾ Designation to be followed by the design and material codes, indicating one of the four variants available for each dimension:

HMS5 RG without auxiliary lip, nitrile rubber
HMS5 V without auxiliary lip, fluoro rubber
HMSA10 RG with auxiliary lip, nitrile rubber
HMSA10 V with auxiliary lip, fluoro rubber
 Example: **6x16x5 HMSA10 RG**

²⁾ Design execution differs from the basic design and is indicated by a number, see also **page 89**.

Please see **pages 74 to 76** for housing bore requirements.

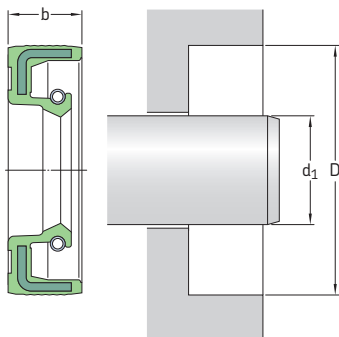
Dimensions			Designation ¹⁾	ISO/DIN
Shaft	Bore	Nominal seal width		
d ₁	D	b		
mm			–	–
6	16	5	6x16x5	•
	16	7	6x16x7	
	22	7	6x22x7	•
	7	16	7x16x7²⁾	•
	22	7	7x22x7	
8	18	5	8x18x5	•
	18	7	8x18x7	
	22	7	8x22x7	•
		24	7	8x24x7
9	22	7	9x22x7	•
10	19	7	10x19x7²⁾	•
	20	6	10x20x6	
	20	7	10x20x7	•
	22	7	10x22x7	
	24	7	10x24x7	•
	25	7	10x25x7	•
	26	7	10x26x7	•
	30	7	10x30x7	•
12	19	5	12x19x5²⁾	•
	22	5	12x22x5	
	22	6	12x22x6	•
	22	7	12x22x7	
	24	7	12x24x7	•
	25	7	12x25x7	•

Dimensions			Designation ¹⁾	ISO/DIN
Shaft	Bore	Nominal seal width		
d ₁	D	b		
mm			–	–
12 cont.	28	7	12x28x7	•
	30	7	12x30x7	
	32	7	12x32x7	•
	37	7	12x37x7	
13	26	7	13x26x7	•
14	24	7	14x24x7	•
	25	5	14x25x5	
	28	7	14x28x7	•
	30	7	14x30x7	
15	24	7	15x24x7²⁾	•
	25	5	15x25x5	
	25	6	15x25x6	•
	26	7	15x26x7	
	30	7	15x30x7	•
	32	7	15x32x7	•
	35	7	15x35x7	
	40	7	15x40x7	•
	40	10	15x40x10	
16	24	7	16x24x7²⁾	•
	28	7	16x28x7	
	30	7	16x30x7	•
	32	7	16x32x7	•

Dimensions		Nominal seal width b	Designation ¹⁾	ISO/DIN	Dimensions		Nominal seal width b	Designation ¹⁾	ISO/DIN	
Shaft	Bore				Shaft	Bore				
d ₁	D									
mm			–	–	mm			–	–	
16	35	7	16x35x7	•	21	35	7	21x35x7		
	cont.	28	17x28x7			40	7	21x40x7		
17	29	5	17x29x5		22	32	7	22x32x7		
	30	7	17x30x7			35	7	22x35x7	•	
	32	7	17x32x7			36	7	22x36x7		
	35	7	17x35x7			38	8	22x38x8		
	37	7	17x37x7			40	7	22x40x7	•	
	40	7	17x40x7			40	10	22x40x10		
	40	10	17x40x10			42	10	22x42x10		
	47	7	17x47x7			45	7	22x45x7		
	47	10	17x47x10			47	7	22x47x7	•	
	18	28	7	18x28x7			23	40	10	23x40x10
30		6	18x30x6		24	35		7	24x35x7	
30		7	18x30x7	•		37		7	24x37x7	
32		7	18x32x7			40		7	24x40x7	
35		7	18x35x7	•		42		8	24x42x8	
40		7	18x40x7			47		7	24x47x7	
19	30	7	19x30x7			50	10	24x50x10		
	30	8	19x30x8		25	35	6	25x35x6		
	32	7	19x32x7			35	7	25x35x7	•	
	42	6	19x42x6			37	5	25x37x5		
20	30	5	20x30x5			37	6	25x37x6		
	30	7	20x30x7	•	37	7	25x37x7			
	32	6	20x32x6		38	7	25x38x7			
	32	7	20x32x7		40	5	25x40x5			
	34	7	20x34x7		40	7	25x40x7	•		
	35	6	20x35x6		40	8	25x40x8			
	35	7	20x35x7	•	40	10	25x40x10			
	35	8	20x35x8		42	6	25x42x6			
	35	10	20x35x10		42	7	25x42x7			
	36	7	20x36x7		42	10	25x42x10			
	38	7	20x38x7		25	45	7	25x45x7		
	40	7	20x40x7			45	8	25x45x8		
	40	10	20x40x10	•		45	10	25x45x10		
	42	7	20x42x7			46	7	25x46x7		
	42	10	20x42x10		47	7	25x47x7	•		
	45	7	20x45x7		47	10	25x47x10			
47	7	20x47x7		50	10	25x50x10				
47	10	20x47x10		52	7	25x52x7	•			
52	7	20x52x7		52	8	25x52x8				
52	10	20x52x10		52	10	25x52x10				

Radial shaft seals – HMS5 and HMSA10

d₁ 25 – 40 mm



¹⁾ Designation to be followed by the design and material codes, indicating one of the four variants available for each dimension:

HMS5 RG without auxiliary lip, nitrile rubber
HMS5 V without auxiliary lip, fluoro rubber
HMSA10 RG with auxiliary lip, nitrile rubber
HMSA10 V with auxiliary lip, fluoro rubber
 Example: **6x16x5 HMSA10 RG**

Please see **pages 74 to 76** for housing bore requirements.

Dimensions			Designation ¹⁾	ISO/DIN
Shaft	Bore	Nominal seal width		
d ₁	D	b		
mm			–	–

25 cont.	62	7	25x62x7	
	62	8	25x62x8	
	62	10	25x62x10	
	72	7	25x72x7	
26	37	7	26x37x7	
	38	5	26x38x5	
	38	7	26x38x7	
	42	7	26x42x7	
	47	7	26x47x7	
27	37	7	27x37x7	
	42	10	27x42x10	
	43	7	27x43x7	
	47	7	27x47x7	
	47	10	27x47x10	
28	38	7	28x38x7	
	38	8	28x38x8	
	40	7	28x40x7	•
	40	8	28x40x8	
	42	7	28x42x7	
	42	8	28x42x8	
	44	6	28x44x6	
	45	8	28x45x8	
	47	7	28x47x7	•
	47	10	28x47x10	
52	7	28x52x7	•	
52	10	28x52x10		

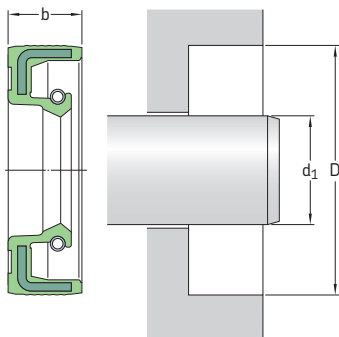
Dimensions			Designation ¹⁾	ISO/DIN
Shaft	Bore	Nominal seal width		
d ₁	D	b		
mm			–	–

30	40	7	30x40x7	•	
	42	6	30x42x6		
	42	7	30x42x7	•	
	42	8	30x42x8		
	44	7	30x44x7		
	45	7	30x45x7		
	45	8	30x45x8		
	46	7	30x46x7		
	47	6	30x47x6		
	47	7	30x47x7	•	
	47	8	30x47x8		
	47	10	30x47x10		
	48	8	30x48x8		
	50	5	30x50x5		
	50	7	30x50x7		
	50	8	30x50x8		
	50	10	30x50x10		
30	52	7	30x52x7	•	
	52	8	30x52x8		
	52	10	30x52x10		
	55	7	30x55x7		
	55	10	30x55x10		
	62	7	30x62x7		
	62	10	30x62x10		
	72	10	30x72x10		
	32	42	7	32x42x7	
		43	7	32x43x7	
44		7	32x44x7		

Dimensions		Nominal seal width b	Designation ¹⁾	ISO/DIN	Dimensions		Nominal seal width b	Designation ¹⁾	ISO/DIN		
Shaft	Bore				Shaft	Bore					
d ₁	D										
mm			–	–	mm		–	–			
32 cont.	45	7	32x45x7	•	35 cont.	72	7	35x72x7			
	45	8	32x45x8	•		72	10	35x72x10			
						72	12	35x72x12			
		47	6	32x47x6			80	12	35x80x12		
		47	7	32x47x7	•	36	47	7	36x47x7		
		47	8	32x47x8	•		50	7	36x50x7		
		47	10	32x47x10			52	7	36x52x7		
		48	8	32x48x8			58	10	36x58x10		
		50	8	32x50x8	•		62	7	36x62x7		
		50	10	32x50x10	•		37	50	6	37x50x6	
		52	7	32x52x7		38		50	7	38x50x7	
		52	8	32x52x8				52	7	38x52x7	
		55	10	32x55x10		52	8	38x52x8			
		62	10	32x62x10		38	54	10	38x54x10		
		72	7	32x72x7			55	7	38x55x7	•	
	80	7	32x80x7		55		8	38x55x8	•		
33	45	7	33x45x7		55	10	38x55x10	•			
	50	6	33x50x6		58	8	38x58x8	•			
34	44	8	34x44x8		58	10	38x58x10	•			
	48	8	34x48x8		60	10	38x60x10				
	52	8	34x52x8		62	7	38x62x7	•			
	62	10	34x62x10		62	8	38x62x8	•			
35	45	7	35x45x7		62	10	38x62x10	•			
	47	6	35x47x6		38,5	72	10	38x72x10			
	47	7	35x47x7	•		80	8	38x80x8			
	47	8	35x47x8	•		40	58	7	38.5x58x7		
	48	8	35x48x8		50		8	40x50x8			
	49	6	35x49x6		52		6	40x52x6			
	50	7	35x50x7	•	52		7	40x52x7	•		
	50	8	35x50x8	•	52		8	40x52x8	•		
	50	10	35x50x10		55		7	40x55x7	•		
	52	7	35x52x7	•	55	8	40x55x8	•			
	52	8	35x52x8	•		56	8	40x56x8			
	52	10	35x52x10		58	7	40x58x7				
	55	7	35x55x7	•	58	8	40x58x8				
	55	8	35x55x8	•	58	10	40x58x10				
	55	10	35x55x10		60	8	40x60x8				
	56	10	35x56x10		60	10	40x60x10				
	58	10	35x58x10		62	6	40x62x6				
	60	10	35x60x10		62	7	40x62x7	•			
62	7	35x62x7		62	8	40x62x8	•				
62	8	35x62x8		62	10	40x62x10					
62	10	35x62x10		65	10	40x65x10					
				65	12	40x65x12					

Radial shaft seals – HMS5 and HMSA10

d_1 40 – 65 mm



¹⁾ Designation to be followed by the design and material codes, indicating one of the four variants available for each dimension:

HMS5 RG without auxiliary lip, nitrile rubber
HMS5 V without auxiliary lip, fluoro rubber
HMSA10 RG with auxiliary lip, nitrile rubber
HMSA10 V with auxiliary lip, fluoro rubber
 Example: **6x16x5 HMSA10 RG**

²⁾ Design execution differs from the basic design and is indicated by a number, see also **page 89**.

Please see **pages 74 to 76** for housing bore requirements.

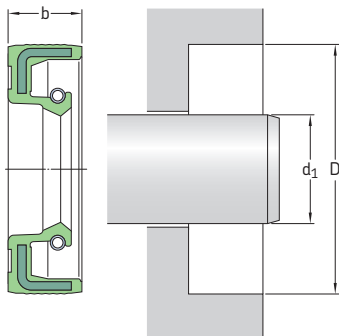
Dimensions			Designation ¹⁾	ISO/DIN
Shaft	Bore	Nominal seal width		
d_1	D	b		
mm			–	–
40 cont.	68	8	40x68x8	
	68	10	40x68x10	
	70	8	40x70x8	
	72	7	40x72x7	
	72	10	40x72x10	
	80	8	40x80x8	
	80	10	40x80x10	
	80	12	40x80x12	
	90	10	40x90x10	
	90	12	40x90x12	
41	56	7	41x56x7	
42	53	7	42x53x7	
	55	7	42x55x7	
	55	8	42x55x8	•
	56	7	42x56x7	
	60	7	42x60x7	
	62	7	42x62x7	
	62	8	42x62x8	
	62	10	42x62x10	•
	65	10	42x65x10	
	65	12	42x65x12	
	66	10	42x66x10	
	67	10	42x67x10	
42	72	8	42x72x8	
	72	10	42x72x10	
43	62	8	43x62x8	

Dimensions			Designation ¹⁾	ISO/DIN
Shaft	Bore	Nominal seal width		
d_1	D	b		
mm			–	–
44	60	10	44x60x10	
	62	10	44x62x10	
	65	10	44x65x10	
45	55	7	45x55x7	
	58	7	45x58x7	
	60	7	45x60x7	
	60	8	45x60x8	•
	60	10	45x60x10	
	62	7	45x62x7	
	62	8	45x62x8	•
	62	10	45x62x10	
	65	8	45x65x8	•
	65	10	45x65x10	
	68	7	45x68x7	
	68	10	45x68x10	
	68	12	45x68x12	
	72	8	45x72x8	
	72	10	45x72x10	
	75	8	45x75x8	
	75	10	45x75x10	
	80	10	45x80x10	
	85	10	45x85x10	
	100	10	45x100x10	
46	59	12	46x59x12	
	65	10	46x65x10	

Dimensions			Designation ¹⁾	ISO/DIN	Dimensions			Designation ¹⁾	ISO/DIN
Shaft	Bore	Nominal seal width			Shaft	Bore	Nominal seal width		
d ₁	D	b							
mm			–	–	mm		–	–	
47	65	10	47×65×10		55 cont.	75	8	55×75×8	
	70	10	47×70×10			75	10	55×75×10	
	90	10	47×90×10			78	10	55×78×10	
48	62	8	48×62×8	•	78	12	55×78×12		
	65	10	48×65×10		80	8	55×80×8	•	
	68	10	48×68×10		80	10	55×80×10		
	70	10	48×70×10		85	8	55×85×8		
	72	7	48×72×7		85	10	55×85×10		
	72	8	48×72×8		90	8	55×90×8		
	72	10	48×72×10		90	10	55×90×10		
					100	10	55×100×10		
50	62	7	50×62×7		100	12	55×100×12		
	64	6	50×64×6		56	72	8	56×72×8	
	65	8	50×65×8	•	57	67	7	57×67×7	
	65	10	50×65×10		58	72	8	58×72×8	
	68	7	50×68×7			80	8	58×80×8	
	68	8	50×68×8	•		80	10	58×80×10	
	68	10	50×68×10			80	12	58×80×12	
	70	10	50×70×10		60	72	8	60×72×8	
	72	8	50×72×8	•		75	8	60×75×8	•
	72	10	50×72×10			80	7	60×80×7	
	72	12	50×72×12			80	8	60×80×8	•
						80	10	60×80×10	
						82	12	60×82×12	
						85	8	60×85×8	•
						85	10	60×85×10	
	52	63	8	52×63×8			90	8	60×90×8
65		8	52×65×8			90	10	60×90×10	
68		8	52×68×8			95	10	60×95×10	
72		8	52×72×8			100	10	60×100×10	
72		10	52×72×10			110	8	60×110×8	
80		10	52×80×10			110	8	60×110×10	
85		10	52×85×10		62	80	10	62×80×10	
100		10	52×100×10			85	10	62×85×10	
						90	10	62×90×10	
					63	85	10	63×85×10	
55	68	8	55×68×8			90	10	63×90×10	
	70	8	55×70×8	•	64	80	8	64×80×8	
	70	10	55×70×10		65	80	8	65×80×8	
	72	8	55×72×8	•		85	8	65×85×8	
	72	10	55×72×10			85	10	65×85×10	•
						85	12	65×85×12	

Radial shaft seals – HMS5 and HMSA10

d_1 65 – 190 mm



¹⁾ Designation to be followed by the design and material codes, indicating one of the four variants available for each dimension:

HMS5 RG without auxiliary lip, nitrile rubber
HMS5 V without auxiliary lip, fluoro rubber
HMSA10 RG with auxiliary lip, nitrile rubber
HMSA10 V with auxiliary lip, fluoro rubber
 Example: **6×16×5 HMSA10 RG**

²⁾ Design execution differs from the basic design and is indicated by a number, see also **page 89**.

Please see **pages 74 to 76** for housing bore requirements.

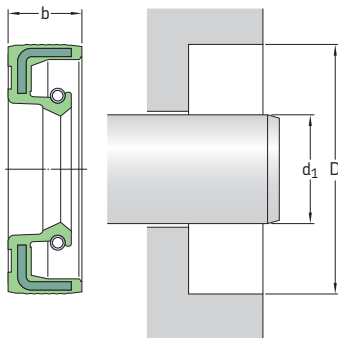
Dimensions		Nominal seal width b	Designation ¹⁾	ISO/DIN
Shaft d_1	Bore D			
mm			–	–
65 cont.	88	12	65×88×12	
	90	10	65×90×10	•
	95	10	65×95×10	
	97	7	65×97×7	
	100	10	65×100×10	
	110	10	65×110×10	
	120	12	65×120×12	
	140	12	65×140×12	
68	90	10	68×90×10	
70	85	8	70×85×8	
	90	7	70×90×7²⁾	
	90	10	70×90×10	•
	90	12	70×90×12	
	92	12	70×92×12	
	95	10	70×95×10	•
	100	10	70×100×10	
	110 110	10 12	70×110×10 70×110×12	
72	90	10	72×90×10	
	95	10	72×95×10	
	95	12	72×95×12	
	100	10	72×100×10	
	140	12	72×140×12	

Dimensions		Nominal seal width b	Designation ¹⁾	ISO/DIN
Shaft d_1	Bore D			
mm			–	–
75	90	10	75×90×10	
	95	10	75×95×10	•
	95	12	75×95×12	
	100	10	75×100×10	•
	100	12	75×100×12	
	105	10	75×105×10	
	110	12	75×110×12	
	120	12	75×120×12	
	130	12	75×130×12	
	78	100	10	78×100×10
80	95	10	80×95×10	
	100	10	80×100×10	•
	100	12	80×100×12	
	105	10	80×105×10	
	110	10	80×110×10	•
	110	12	80×110×12	
	115	12	80×115×12	
	125	12	80×125×12	
	170	13	80×170×13	
	82	120	12	82×120×12
85	160	15	82×160×15	
	100	9	85×100×9	
	100	10	85×100×10	
	105	12	85×105×12	

Dimensions					ISO/DIN	Dimensions				
Shaft	Bore	Nominal seal width	Designation ¹⁾	ISO/DIN		Shaft	Bore	Nominal seal width	Designation ¹⁾	ISO/DIN
d ₁	D	b			d ₁	D	b			
mm			–	–	mm			–	–	
85 cont.	110	12	85×110×12	•	118	150	12	118×150×12		
	115	12	85×115×12		120	140	12	120×140×12		
	120	12	85×120×12	•		140	13	120×140×13		
	130	12	85×130×12			150	12	120×150×12		
	140	12	85×140×12			160	12	120×160×12		
	150	12	85×150×12			180	15	120×180×15		
90	110	10	90×110×10		125	150	12	125×150×12	•	
	110	12	90×110×12	•		160	15	125×160×15		
	115	12	90×115×12			200	15	125×200×15		
	120	12	90×120×12	•	130	160	12	130×160×12	•	
95	110	12	95×110×12			160	15	130×160×15		
	115	12	95×115×12		170	12	130×170×12			
	120	12	95×120×12	•	180	12	130×180×12			
	125	12	95×125×12	•	190	12	130×190×12			
	140	12	95×140×12		135	170	12	135×170×12	•	
	145	12	95×145×12			160	12	140×160×12		
	170	13	95×170×13		140	170	12	140×170×12	•	
100	120	10	100×120×10			170	15	140×170×15		
	120	12	100×120×12	•	180	12	140×180×12			
	125	12	100×125×12	•	145	175	15	145×175×15	•	
	130	12	100×130×12	•		180	12	145×180×12		
	140	12	100×140×12		148	170	15	148×170×15		
	145	12	100×145×12			170	12	150×170×12		
	150	12	100×150×12		150	180	12	150×180×12		
	150	12	100×150×12			180	15	150×180×15	•	
105	130	12	105×130×12	•	200	12	150×200×12			
	135	12	105×135×12		155	180	15	155×180×15		
	140	12	105×140×12			185	15	160×185×15		
108	140	15	108×140×15	•	160	190	15	160×190×15	•	
	170	15	108×170×15			165	190	15	165×190×15	
110	130	12	110×130×12	•	170		200	15	170×200×15	•
	130	13	110×130×13			175	200	15	175×200×15	
	140	12	110×140×12	•	180		200	15	180×200×15	
	150	12	110×150×12			210	15	180×210×15	•	
115	140	12	115×140×12	•	190	220	15	190×220×15	•	
	145	12	115×145×12			225	15	190×225×15		
	150	12	115×150×12							

Radial shaft seals – HMS5 and HMSA10

d_1 200 – 250 mm



¹⁾ Designation to be followed by the design and material codes, indicating one of the four variants available for each dimension:

HMS5 RG without auxiliary lip, nitrile rubber

HMS5 V without auxiliary lip, fluoro rubber

HMSA10 RG with auxiliary lip, nitrile rubber

HMSA10 V with auxiliary lip, fluoro rubber

Example: **6×16×5 HMSA10 RG**

²⁾ Design execution differs from the basic design and is indicated by a number, see also **page 89**.

Please see **pages 74 to 76** for housing bore requirements.

Dimensions		Nominal seal width b	Designation ¹⁾	ISO/DIN
Shaft	Bore			
d_1	D			
mm			–	–
200	230	15	200×230×15	•
210	240	15	210×240×15	•
220	250	15	220×250×15	•
230	260	15	230×260×15	•
240	270	15	240×270×15	•
250	280	15	250×280×15	•
	285	15	250×285×15	

Radial shaft seals

CRW1, CRWA1, CRWH1 and CRWHA1 seals

These radial shaft seals are low-friction seals with SKF Wave lip design for reduced heat generation. See **pages 57 and 58** for more information on SKF Wave lip design. They have a metal outside diameter for easy installation and a firm and accurate fit in the housing bore.

The seals feature SKF Bore Tite Coating on the outside diameter, a non-hardening, water-based acrylic sealant that helps fill small imperfections in the housing bore.

They are primarily designed to retain lubricants but are also suitable for contaminant exclusion, especially the CRWA1 and CRWHA1 seals designed with an auxiliary lip.

CRW1: Seal with a single steel case, SKF Wave lip and a carbon steel garter spring.

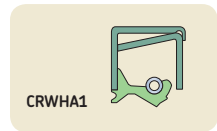
CRWH1: Seal with a double steel case, SKF Wave lip and a carbon steel garter spring.

CRWA1: Seal with a single steel case, SKF Wave lip, a carbon steel garter spring and an auxiliary, non-contacting lip.

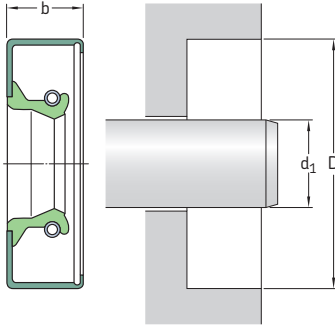
CRWHA1: Seal with a double steel case, SKF Wave lip, a carbon steel garter spring and an auxiliary, non-contacting lip.

All of these seals are available with sealing lips made of either nitrile rubber or the SKF developed fluoro rubber compound SKF Duralife. Other materials are also available on request.

See **matrix 1** on **pages 90 and 91** for permissible operating conditions.



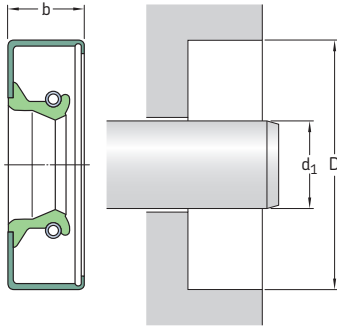
Radial shaft seals – CRW1, CRWA1, CRWH1 and CRWHA1 – metric dimensions
 d_1 12 – 17 mm



Please see pages 74 to 76 for housing bore requirements.

Dimensions Shaft	Bore	Nominal seal width b	Design and lip material	Designation
d_1	D	b		
mm			–	–
12	22	7	CRW1 V	12x22x7 CRW1 V
	22	7	CRW1 R	12x22x7 CRW1 R
	25	7	CRW1 R	12x25x7 CRW1 R
	26	7	CRW1 R	12x26x7 CRW1 R
	28	7	CRW1 R	12x28x7 CRW1 R
	28	7	CRW1 P	12x28x7 CRW1 P
12	32	7	CRW1 R	12x32x7 CRW1 R
	32	7	CRW1 V	12x32x7 CRW1 V
	35	7	CRW1 R	12x35x7 CRW1 R
14	26	7	CRW1 V	14x26x7 CRW1 V
	32	7	CRW1 R	14x32x7 CRW1 R
15	25	7	CRW1 P	15x25x7 CRW1 P
	28	7	CRW1 R	15x28x7 CRW1 R
	32	7	CRW1 R	15x32x7 CRW1 R
	32	7	CRW1 V	15x32x7 CRW1 V
	35	7	CRW1 R	15x35x7 CRW1 R
15	35	7	CRW1 P	15x35x7 CRW1 P
16	28	7	CRW1 R	16x28x7 CRW1 R
	30	7	CRW1 R	16x30x7 CRW1 R
	32	7	CRW1 R	16x32x7 CRW1 R
	35	7	CRW1 R	16x35x7 CRW1 R
	40	7	CRW1 R	16x40x7 CRW1 R
16	40	7	CRWA1 R	16x40x7 CRWA1 R
17	27	6,35	CRW1 R	17x27x6 CRW1 R
	28	7	CRW1 R	17x28x7 CRW1 R
	28	7	CRW1 V	17x28x7 CRW1 V
	30	7	CRW1 R	17x30x7 CRW1 R
	32	7	CRW1 R	17x32x7 CRW1 R
	35	7	CRW1 R	17x35x7 CRW1 R
	35	7	CRW1 V	17x35x7 CRW1 V
	40	7	CRW1 R	17x40x7 CRW1 R
	47	7	CRW1 R	17x47x7 CRW1 R

Radial shaft seals – CRW1, CRWA1, CRWH1 and CRWHA1 – metric dimensions
 d_1 18 – 28 mm

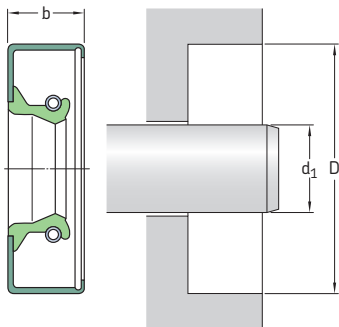


Please see **pages 74 to 76** for housing bore requirements.

Dimensions	Bore	Nominal seal width	Design and lip material	Designation
Shaft		b		
d_1	D			
mm			–	–
18	30	7	CRW1 R	18x30x7 CRW1 R
	30	7	CRW1 V	18x30x7 CRW1 V
	32	7	CRW1 R	18x32x7 CRW1 R
	32	7	CRW1 V	18x32x7 CRW1 V
	35	7	CRW1 R	18x35x7 CRW1 R
	40	7	CRW1 R	18x40x7 CRW1 R
19	35	7	CRW1 R	19x35x7 CRW1 R
20	30	7	CRW1 R	20x30x7 CRW1 R
	31	7	CRW1 R	20x31x7 CRW1 R
	32	7	CRW1 R	20x32x7 CRW1 R
	35	7	CRW1 R	20x35x7 CRW1 R
	35	7	CRW1 V	20x35x7 CRW1 V
	36	7	CRW1 R	20x36x7 CRW1 R
	36	7	CRW1 V	20x36x7 CRW1 V
	37	7	CRW1 R	20x37x7 CRW1 R
	38	7	CRW1 R	20x38x7 CRW1 R
	40	7	CRW1 R	20x40x7 CRW1 R
	40	7	CRW1 V	20x40x7 CRW1 V
	42	7	CRW1 R	20x42x7 CRW1 R
	47	7	CRW1 R	20x47x7 CRW1 R
	52	7	CRW1 R	20x52x7 CRW1 R
52	7	CRW1 P	20x52x7 CRW1 P	
21	35	7	CRW1 R	21x35x7 CRW1 R
	35	7	CRW1 V	21x35x7 CRW1 V
	40	8	CRW1 R	21x40x8 CRW1 R

Dimensions Shaft	Bore	Nominal seal width b	Design and lip material	Designation
d ₁	D			
mm			–	–
22	31	7	CRW1 P	22×31×7 CRW1 P
	32	7	CRW1 R	22×32×7 CRW1 R
	35	7	CRW1 R	22×35×7 CRW1 R
	35	7	CRW1 V	22×35×7 CRW1 V
	38	7	CRW1 R	22×38×7 CRW1 R
	38	7	CRW1 V	22×38×7 CRW1 V
	40	6,35	CRW1 R	22×40×6 CRW1 R
	40	6,35	CRW1 V	22×40×6 CRW1 V
	42	7	CRW1 R	22×42×7 CRW1 R
	47	8	CRW1 R	22×47×8 CRW1 R
24	36	7	CRW1 V	24×36×7 CRW1 V
	38	7	CRW1 V	24×38×7 CRW1 V
	47	8	CRW1 R	24×47×8 CRW1 R
25	35	7	CRW1 R	25×35×7 CRW1 R
	35	7	CRW1 V	25×35×7 CRW1 V
	36	7	CRW1 R	25×36×7 CRW1 R
	37	7	CRW1 R	25×37×7 CRW1 R
	37	7	CRW1 V	25×37×7 CRW1 V
	38	7	CRW1 R	25×38×7 CRW1 R
	38	7	CRW1 V	25×38×7 CRW1 V
	40	7	CRW1 R	25×40×7 CRW1 R
	40	7	CRW1 R	25×40×7 CRW1 R
	40	7	CRW1 V	25×40×7 CRW1 V
	42	8	CRW1 V	25×42×8 CRW1 V
	42	8	CRW1 R	25×42×8 CRW1 R
	45	7	CRW1 R	25×45×7 CRW1 R
	47	6,35	CRW1 R	25×47×6 CRW1 R
	48	8	CRW1 R	25×48×8 CRW1 R
	48	8	CRW1 V	25×48×8 CRW1 V
	50	8	CRW1 R	25×50×8 CRW1 R
52	8	CRW1 R	25×52×8 CRW1 R	
52	8	CRW1 V	25×52×8 CRW1 V	
27	62	7	CRW1 R	25×62×7 CRW1 R
	62	7	CRW1 V	25×62×7 CRW1 V
	42	7	CRW1 R	27×42×7 CRW1 R
	42	7	CRW1 V	27×42×7 CRW1 V
	43	8	CRW1 V	27×43×8 CRW1 V
	45	8	CRW1 V	27×45×8 CRW1 V
28	52	8	CRW1 R	27×52×8 CRW1 R
	40	7	CRW1 R	28×40×7 CRW1 R
	40	7	CRW1 V	28×40×7 CRW1 V
	42	7	CRW1 R	28×42×7 CRW1 R
	42	7	CRW1 V	28×42×7 CRW1 V
	45	7	CRW1 V	28×45×7 CRW1 V
	47	7	CRW1 V	28×47×7 CRW1 V
	47	8	CRW1 R	28×47×8 CRW1 R
	52	8	CRW1 R	28×52×8 CRW1 R

Radial shaft seals – CRW1, CRWA1, CRWH1 and CRWHA1 – metric dimensions
 d_1 30 – 36 mm



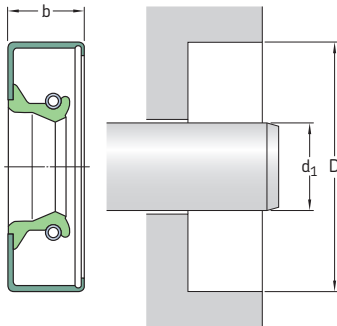
Please see **pages 74 to 76** for housing bore requirements.

Dimensions Shaft	Bore	Nominal seal width	Design and lip material	Designation
d_1	D	b		
mm			–	–
30	40	7	CRW1 R	30×40×7 CRW1 R
	40	7	CRW1 V	30×40×7 CRW1 V
	42	7	CRW1 R	30×42×7 CRW1 R
	42	7	CRW1 V	30×42×7 CRW1 V
	45	8	CRW1 R	30×45×8 CRW1 R
	45	8	CRW1 P	30×45×8 CRW1 P
	47	7	CRW1 R	30×47×7 CRW1 R
	47	8	CRW1 V	30×47×8 CRW1 V
	48	8	CRW1 R	30×48×8 CRW1 R
	50	8	CRW1 R	30×50×8 CRW1 R
	50	8	CRW1 V	30×50×8 CRW1 V
	52	8	CRW1 R	30×52×8 CRW1 R
	55	7	CRW1 R	30×55×7 CRW1 R
	56	8	CRW1 R	30×56×8 CRW1 R
	58	8	CRWA1 R	30×58×8 CRWA1 R
	60	8	CRW1 R	30×60×8 CRW1 R
	62	7	CRW1 R	30×62×7 CRW1 R
	62	7	CRW1 V	30×62×7 CRW1 V
	72	8	CRW1 R	30×72×8 CRW1 R
	72	12	CRWA1 V	30×72×12 CRWA1 V
32	42	7	CRW1 R	32×42×7 CRW1 R
	42	7	CRW1 V	32×42×7 CRW1 V
	45	8	CRW1 R	32×45×8 CRW1 R
	47	8	CRW1 R	32×47×8 CRW1 R
	47	8	CRW1 V	32×47×8 CRW1 V
	48	8	CRW1 R	32×48×8 CRW1 R
	48	8	CRW1 V	32×48×8 CRW1 V
	50	8	CRW1 R	32×50×8 CRW1 R
	50	8	CRW1 V	32×50×8 CRW1 V
	52	8	CRW1 R	32×52×8 CRW1 R
	52	8	CRW1 V	32×52×8 CRW1 V

Dimensions Shaft	Bore	Nominal seal width b	Design and lip material	Designation	
d ₁	D				
mm			–	–	
32 cont.	56	8	CRW1 R	32×56×8 CRW1 R	
	62	6,35	CRW1 R	32×62×6 CRW1 R	
34	48	8	CRW1 R	34×48×8 CRW1 R	
	48	8	CRW1 V	34×48×8 CRW1 V	
	55	8	CRW1 R	34×55×8 CRW1 R	
	56	8	CRW1 R	34×56×8 CRW1 R	
	56	8	CRW1 V	34×56×8 CRW1 V	
	62	8	CRW1 R	34×62×8 CRW1 R	
	35	47	7	CRW1 R	35×47×7 CRW1 R
		47	7	CRW1 V	35×47×7 CRW1 V
48		8	CRW1 R	35×48×8 CRW1 R	
48		8	CRW1 V	35×48×8 CRW1 V	
50		8	CRW1 R	35×50×8 CRW1 R	
50		8	CRW1 V	35×50×8 CRW1 V	
52		8	CRWA1 P	35×52×8 CRWA1 P	
52		8	CRW1 R	35×52×8 CRW1 R	
52		8	CRWA1 R	35×52×8 CRWA1 R	
54		7	CRW1 R	35×54×7 CRW1 R	
54		8	CRW1 V	35×54×8 CRW1 V	
55		8	CRW1 R	35×55×8 CRW1 R	
55		8	CRW1 V	35×55×8 CRW1 V ¹⁾	
56		8	CRW1 R	35×56×8 CRW1 R	
56		8	CRW1 V	35×56×8 CRW1 V	
62		8	CRW1 V	35×62×8 CRW1 V	
62	8	CRW1 R	35×62×8 CRW1 R		
64	8	CRW1 R	35×64×8 CRW1 R		
65	8	CRW1 V	35×65×8 CRW1 V		
68	8	CRW1 R	35×68×8 CRW1 R		
68	8	CRW1 V	35×68×8 CRW1 V		
69	8	CRW1 R	35×69×8 CRW1 R		
72	8	CRW1 V	35×72×8 CRW1 V		
72	8	CRW1 R	35×72×8 CRW1 R		
72	8	CRWA1 R	35×72×8 CRWA1 R		
78	8	CRW1 R	35×78×8 CRW1 R		
80	8	CRW1 R	35×80×8 CRW1 R		
36	50	7	CRW1 R	36×50×7 CRW1 R	
	50	8	CRW1 R	36×50×8 CRW1 R	
	52	8	CRW1 R	36×52×8 CRW1 R	
	52	8	CRW1 V	36×52×8 CRW1 V	
	54	8	CRW1 R	36×54×8 CRW1 R	
	54	8	CRW1 V	36×54×8 CRW1 V	
	58	8	CRW1 R	36×58×8 CRW1 R	
	60	8	CRW1 R	36×60×8 CRW1 R	
	60	8	CRW1 V	36×60×8 CRW1 V	
	62	8	CRW1 R	36×62×8 CRW1 R	
	65	8	CRW1 R	36×65×8 CRW1 R	
	68	8	CRW1 R	36×68×8 CRW1 R	

¹⁾ Without SKF Bore Tite Coating

Radial shaft seals – CRW1, CRWA1, CRWH1 and CRWHA1 – metric dimensions
 d_1 38 – 43 mm



Please see **pages 74 to 76** for housing bore requirements.

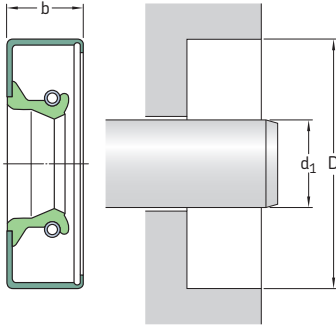
Dimensions	Bore	Nominal seal width	Design and lip material	Designation
Shaft	D	b		
d_1				
mm			–	–
38	50	7	CRW1 R	38×50×7 CRW1 R
	50	7	CRW1 V	38×50×7 CRW1 V
	52	8	CRW1 R	38×52×8 CRW1 R
	52	8	CRWA1 R	38×52×8 CRWA1 R
	52	8	CRW1 V	38×52×8 CRW1 V
	53	8	CRW1 R	38×53×8 CRW1 R
	54	7	CRW1 P	38×54×7 CRW1 P¹⁾
	55	8	CRW1 R	38×55×8 CRW1 R
	55	8	CRW1 V	38×55×8 CRW1 V
	56	8	CRW1 V	38×56×8 CRW1 V
	56	8	CRW1 R	38×56×8 CRW1 R
	58	8	CRW1 R	38×58×8 CRW1 R
	58	8	CRW1 V	38×58×8 CRW1 V
	60	8	CRW1 R	38×60×8 CRW1 R
	60	8	CRW1 V	38×60×8 CRW1 V
	62	8	CRW1 R	38×62×8 CRW1 R
	62	8	CRWA1 R	38×62×8 CRWA1 R
	62	8	CRW1 V	38×62×8 CRW1 V
	65	8	CRW1 R	38×65×8 CRW1 R
	68	8	CRW1 R	38×68×8 CRW1 R
	70	8	CRW1 R	38×70×8 CRW1 R
	72	8	CRW1 R	38×72×8 CRW1 R
	73	8	CRW1 R	38×73×8 CRW1 R
	74	11	CRWA1 R	38×74×11 CRWA1 R
	74	11	CRW1 V	38×74×11 CRW1 V
	80	8	CRW1 R	38×80×8 CRW1 R
	90	8	CRWA1 R	38×90×8 CRWA1 R

¹⁾ Without SKF Bore Tite Coating

Dimensions Shaft	Bore	Nominal seal width b	Design and lip material	Designation
d ₁	D			
mm			-	-
40	52	7	CRW1 V	40x52x7 CRW1 V
	52	7	CRW1 R	40x52x7 CRW1 R
	54	7	CRW1 R	40x54x7 CRW1 R
	55	8	CRW1 R	40x55x8 CRW1 R
	55	8	CRW1 V	40x55x8 CRW1 V
	56	7	CRW1 V	40x56x7 CRW1 V
	56	8	CRW1 R	40x56x8 CRW1 R
	57	8	CRW1 R	40x57x8 CRW1 R
	58	8	CRW1 R	40x58x8 CRW1 R
	58	8	CRW1 V	40x58x8 CRW1 V
	60	8	CRW1 R	40x60x8 CRW1 R
	60	8	CRW1 V	40x60x8 CRW1 V
	62	8	CRW1 R	40x62x8 CRW1 R
	62	8	CRW1 V	40x62x8 CRW1 V
	65	8	CRW1 R	40x65x8 CRW1 R
	68	8	CRW1 R	40x68x8 CRW1 R
	70	8	CRW1 R	40x70x8 CRW1 R
	72	8	CRW1 R	40x72x8 CRW1 R
	74	8	CRW1 R	40x74x8 CRW1 R
	75	8	CRW1 V	40x75x8 CRW1 V
	80	8	CRW1 R	40x80x8 CRW1 R
80	8	CRW1 V	40x80x8 CRW1 V ¹⁾	
90	8	CRW1 R	40x90x8 CRW1 R	
41	53	7	CRW1 R	41x53x7 CRW1 R
	55	8	CRW1 R	41x55x8 CRW1 R
	62	8	CRW1 R	41x62x8 CRW1 R
42	55	8	CRW1 R	42x55x8 CRW1 R
	55	8	CRW1 V	42x55x8 CRW1 V
	56	7	CRW1 V	42x56x7 CRW1 V
	56	8	CRW1 R	42x56x8 CRW1 R
	58	8	CRW1 R	42x58x8 CRW1 R
	58	8	CRW1 V	42x58x8 CRW1 V
	60	8	CRW1 R	42x60x8 CRW1 R
	60	8	CRW1 V	42x60x8 CRW1 V
	62	8	CRW1 R	42x62x8 CRW1 R
	62	8	CRW1 V	42x62x8 CRW1 V
	65	8	CRW1 R	42x65x8 CRW1 R
	65	8	CRW1 V	42x65x8 CRW1 V
72	8	CRW1 V	42x72x8 CRW1 V	
72	8	CRW1 R	42x72x8 CRW1 R	
43	57	8	CRW1 R	43x57x8 CRW1 R
	60	8	CRW1 R	43x60x8 CRW1 R
	69	8	CRW1 R	43x69x8 CRW1 R
	73	8	CRW1 R	43x73x8 CRW1 R

¹⁾ Without SKF Bore Tite Coating

Radial shaft seals – CRW1, CRWA1, CRWH1 and CRWHA1 – metric dimensions
 d_1 44 – 54 mm



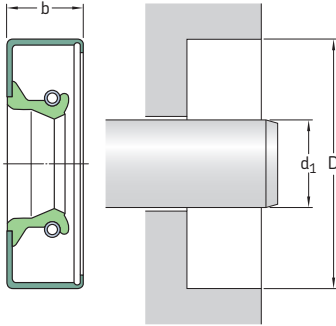
Please see **pages 74 to 76** for housing bore requirements.

Dimensions	Bore	Nominal seal width	Design and lip material	Designation
Shaft	D	b		
d_1				
mm			–	–
44	60	8	CRW1 R	44×60×8 CRW1 R
	60	8	CRW1 V	44×60×8 CRW1 V ¹⁾
	62	8	CRW1 R	44×62×8 CRW1 R
	65	8	CRW1 R	44×65×8 CRW1 R
	68	8	CRW1 V	44×68×8 CRW1 V
	70	8	CRW1 R	44×70×8 CRW1 R
45	72	8	CRW1 R	44×72×8 CRW1 R
	60	8	CRW1 R	45×60×8 CRW1 R
	60	8	CRW1 V	45×60×8 CRW1 V
	62	8	CRWA1 V	45×62×8 CRWA1 V
	62	8	CRW1 R	45×62×8 CRW1 R
	65	8	CRW1 R	45×65×8 CRW1 R
	65	8	CRW1 V	45×65×8 CRW1 V
	68	8	CRW1 R	45×68×8 CRW1 R
	68	8	CRW1 V	45×68×8 CRW1 V
	68	8	CRWA1 R	45×68×8 CRWA1 R
	72	8	CRW1 V	45×72×8 CRW1 V
	72	8	CRW1 R	45×72×8 CRW1 R
	75	8	CRW1 R	45×75×8 CRW1 R
	75	8	CRW1 V	45×75×8 CRW1 V
	80	8	CRW1 R	45×80×8 CRW1 R
85	8	CRW1 R	45×85×8 CRW1 R	
46	60	8	CRW1 R	46×60×8 CRW1 R
	65	8	CRW1 R	46×65×8 CRW1 R
	68	8	CRW1 R	46×68×8 CRW1 R
	72	8	CRW1 R	46×72×8 CRW1 R
	73	8	CRW1 R	46×73×8 CRW1 R

¹⁾ Without SKF Bore Tite Coating

Dimensions Shaft	Bore	Nominal seal width b	Design and lip material	Designation	
d_1	D				
mm			-	-	
47	60	7	CRW1 R	47×60×7 CRW1 R	
	62	8	CRW1 R	47×62×8 CRW1 R	
	72	8	CRW1 R	47×72×8 CRW1 R	
48	62	8	CRW1 R	48×62×8 CRW1 R	
	62	8	CRW1 P	48×62×8 CRW1 P	
	65	8	CRW1 R	48×65×8 CRW1 R	
	65	8	CRW1 V	48×65×8 CRW1 V	
	68	8	CRW1 V	48×68×8 CRW1 V	
	70	8	CRW1 R	48×70×8 CRW1 R	
	70	8	CRW1 V	48×70×8 CRW1 V	
	72	8	CRW1 R	48×72×8 CRW1 R	
	72	8	CRW1 V	48×72×8 CRW1 V	
	80	8	CRW1 R	48×80×8 CRW1 R	
	50	65	8	CRW1 R	50×65×8 CRW1 R
		65	8	CRW1 V	50×65×8 CRW1 V
68		8	CRW1 R	50×68×8 CRW1 R	
68		8	CRW1 V	50×68×8 CRW1 V	
70		8	CRW1 R	50×70×8 CRW1 R	
70		8	CRW1 V	50×70×8 CRW1 V	
72		8	CRW1 R	50×72×8 CRW1 R	
72		8	CRW1 V	50×72×8 CRW1 V	
75		8	CRWA1 R	50×75×8 CRWA1 R	
80		8	CRW1 R	50×80×8 CRW1 R	
80		8	CRW1 V	50×80×8 CRW1 V	
82		8	CRWA1 R	50×82×8 CRWA1 R	
85		8	CRW1 R	50×85×8 CRW1 R	
90		8	CRW1 R	50×90×8 CRW1 R	
90		8	CRW1 V	50×90×8 CRW1 V	
51		65	7	CRWA1 R	51×65×7 CRWA1 R
		73	8	CRW1 R	51×73×8 CRW1 R
		80	9,53	CRW1 R	51×80×10 CRW1 R
	81	9,53	CRWH1 R	51×81×10 CRWH1 R	
	81	9,53	CRWHA1 R	51×81×10 CRWHA1 R	
	92	11,13	CRWH1 R	51×92×11 CRWH1 R	
52	68	8	CRW1 R	52×68×8 CRW1 R	
	68	8	CRW1 V	52×68×8 CRW1 V	
	70	8	CRW1 R	52×70×8 CRW1 R	
	72	8	CRWA1 V	52×72×8 CRWA1 V	
	72	8	CRW1 R	52×72×8 CRW1 R	
	72	8	CRW1 V	52×72×8 CRW1 V	
	85	8	CRW1 R	52×85×8 CRW1 R	
53	68	8	CRW1 V	53×68×8 CRW1 V	
54	65	8	CRW1 R	54×65×8 CRW1 R	
	65	8	CRW1 V	54×65×8 CRW1 V	
	73	11,13	CRW1 R	54×73×11 CRW1 R	
	73	11,13	CRWA1 R	54×73×11 CRWA1 R	
	81	9,53	CRWA1 R	54×81×10 CRWA1 R	

Radial shaft seals – CRW1, CRWA1, CRWH1 and CRWHA1 – metric dimensions
 d_1 55 – 70 mm

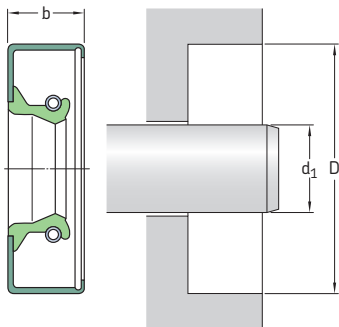


Please see **pages 74 to 76** for housing bore requirements.

Dimensions		Nominal seal width b	Design and lip material	Designation
Shaft	Bore			
d_1	D			
mm			–	–
55	70	8	CRW1 R	55×70×8 CRW1 R
	70	8	CRW1 V	55×70×8 CRW1 V
	72	8	CRW1 R	55×72×8 CRW1 R
	72	8	CRW1 V	55×72×8 CRW1 V
	73	8	CRW1 V	55×73×8 CRW1 V
	75	8	CRW1 R	55×75×8 CRW1 R
	75	8	CRW1 V	55×75×8 CRW1 V
	80	8	CRW1 R	55×80×8 CRW1 R
	80	8	CRW1 V	55×80×8 CRW1 V
	85	8	CRW1 R	55×85×8 CRW1 R
90	90	8	CRW1 R	55×90×8 CRW1 R
	100	8	CRW1 R	55×100×8 CRW1 R
56	75	8	CRW1 R	56×75×8 CRW1 R
57	81	11	CRW1 R	57×81×11 CRW1 R
	81	11	CRWA1 P	57×81×11 CRWA1 P
	92	11	CRWH1 R	57×92×11 CRWH1 R
	92	11	CRWHA1 R	57×92×11 CRWHA1 R
58	72	8	CRW1 R	58×72×8 CRW1 R
	72	8	CRW1 S	58×72×8 CRW1 S
	75	8	CRW1 R	58×75×8 CRW1 R
	80	8	CRW1 R	58×80×8 CRW1 R
	80	8	CRW1 V	58×80×8 CRW1 V
	85	8	CRW1 R	58×85×8 CRW1 R
	90	8	CRW1 R	58×90×8 CRW1 R

Dimensions Shaft	Bore	Nominal seal width b	Design and lip material	Designation
d_1	D	b		
mm			–	–
60	75	8	CRW1 R	60×75×8 CRW1 R
	75	8	CRW1 V	60×75×8 CRW1 V
	80	8	CRW1 R	60×80×8 CRW1 R
	80	8	CRW1 V	60×80×8 CRW1 V
	82	8	CRWA1 R	60×82×8 CRWA1 R
	85	8	CRW1 V	60×85×8 CRW1 V
	85	8	CRW1 R	60×85×8 CRW1 R
	90	8	CRW1 R	60×90×8 CRW1 R
	105	8	CRW1 R	60×105×8 CRW1 R
	110	8	CRW1 R	60×110×8 CRW1 R
62	80	8	CRW1 V	62×80×8 CRW1 V
	85	8	CRW1 R	62×85×8 CRW1 R
	90	8	CRW1 R	62×90×8 CRW1 R
	90	11,13	CRWH1 R	62×90×11 CRWH1 R
63	78	8	CRW1 R	63×78×8 CRW1 R
	80	8	CRW1 R	63×80×8 CRW1 R
	85	8	CRW1 R	63×85×8 CRW1 R
	88	8	CRW1 R	63×88×8 CRW1 R
65	80	8	CRW1 R	65×80×8 CRW1 R
	80	8	CRW1 V	65×80×8 CRW1 V
	85	8	CRW1 R	65×85×8 CRW1 R
	85	8	CRW1 V	65×85×8 CRW1 V
	88	8	CRW1 R	65×88×8 CRW1 R
	90	8	CRW1 R	65×90×8 CRW1 R
	90	8	CRW1 V	65×90×8 CRW1 V
	92	11,13	CRWH1 R	65×92×11 CRWH1 R
	100	8	CRW1 R	65×100×8 CRW1 R
	100	8	CRW1 V	65×100×8 CRW1 V
110	10	CRW1 R	65×110×10 CRW1 R	
120	8	CRW1 R	65×120×8 CRW1 R	
68	85	8	CRW1 R	68×85×8 CRW1 R
	88	8	CRW1 R	68×88×8 CRW1 R
	90	8	CRW1 R	68×90×8 CRW1 R
	90	8	CRW1 V	68×90×8 CRW1 V
	95	10	CRW1 R	68×95×10 CRW1 R
	95	10	CRW1 V	68×95×10 CRW1 V
	100	10	CRW1 R	68×100×10 CRW1 R
70	85	8	CRW1 R	70×85×8 CRW1 R
	88	8	CRW1 R	70×88×8 CRW1 R
	88	8	CRW1 V	70×88×8 CRW1 V
	90	8	CRW1 R	70×90×8 CRW1 R
	90	10	CRW1 V	70×90×10 CRW1 V
	90	10	CRWHA1 P	70×90×10 CRWHA1 P
	92	11	CRWH1 R	70×92×11 CRWH1 R
	92	11	CRWH1 V	70×92×11 CRWH1 V
	95	10	CRW1 R	70×95×10 CRW1 R
	100	10	CRW1 R	70×100×10 CRW1 R
105	10	CRW1 R	70×105×10 CRW1 R	

Radial shaft seals – CRW1, CRWA1, CRWH1 and CRWHA1 – metric dimensions d₁ 70 – 110 mm



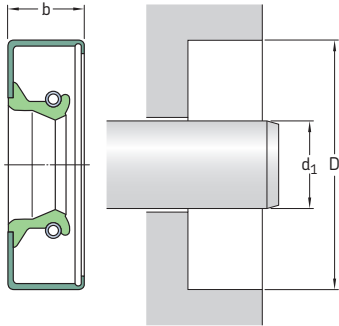
Please see **pages 74 to 76** for housing bore requirements.

Dimensions Shaft	Bore	Nominal seal width b	Design and lip material	Designation
d ₁	D			
mm			–	–
70	110	10	CRW1 R	70×110×10 CRW1 R
cont.	110	12,70	CRWHA1 R	70×110×13 CRWHA1 R¹⁾
72	88	8	CRW1 R	72×88×8 CRW1 R
73	92	11,13	CRWH1 R	73×92×11 CRWH1 R
	110	11,13	CRWA1 P	73×110×11 CRWA1 P
75	90	8	CRW1 R	75×90×8 CRW1 R
	95	10	CRW1 R	75×95×10 CRW1 R
	95	10	CRW1 V	75×95×10 CRW1 V
	100	10	CRW1 R	75×100×10 CRW1 R
	100	10	CRW1 V	75×100×10 CRW1 V
	105	10	CRW1 R	75×105×10 CRW1 R
	110	10	CRW1 R	75×110×10 CRW1 R
	115	12	CRW1 R	75×115×12 CRW1 R
80	100	10	CRW1 R	80×100×10 CRW1 R
	100	10	CRW1 V	80×100×10 CRW1 V
	105	10	CRW1 R	80×105×10 CRW1 R
	105	10	CRW1 V	80×105×10 CRW1 V
	110	10	CRW1 R	80×110×10 CRW1 R
	125	10	CRW1 R	80×125×10 CRW1 R
	125	10	CRW1 V	80×125×10 CRW1 V
	130	12	CRWA1 R	80×130×12 CRWA1 R
	140	12	CRW1 R	80×140×12 CRW1 R
84	127	11	CRWH1 R	84×127×11 CRWH1 R

¹⁾ Without SKF Bore Tite Coating

Dimensions Shaft	Bore	Nominal seal width b	Design and lip material	Designation	
d ₁	D				
mm			–	–	
85	105	10	CRW1 R	85×105×10 CRW1 R	
	105	10	CRW1 V	85×105×10 CRW1 V	
	110	10	CRW1 R	85×110×10 CRW1 R	
	110	10	CRWA1 V	85×110×10 CRWA1 V	
	120	12	CRW1 R	85×120×12 CRW1 R	
	130	12	CRW1 R	85×130×12 CRW1 R	
89	127	11,13	CRWH1 R	89×127×11 CRWH1 R	
90	110	12	CRW1 R	90×110×12 CRW1 R	
	110	12	CRW1 V	90×110×12 CRW1 V	
	115	12	CRWA1 R	90×115×12 CRWA1 R	
	120	12	CRW1 R	90×120×12 CRW1 R	
	120	12	CRW1 V	90×120×12 CRW1 V	
	125	12	CRW1 R	90×125×12 CRW1 R	
	125	12	CRW1 V	90×125×12 CRW1 V	
	130	12	CRW1 R	90×130×12 CRW1 R	
	140	12	CRWA1 R	90×140×12 CRWA1 R	
	92	127	11	CRWHA1 R	92×127×11 CRWHA1 R
127		11,13	CRWH1 R	92×127×11 CRWH1 R	
95	110	10	CRW1 R	95×110×10 CRW1 R	
	115	12	CRW1 R	95×115×12 CRW1 R	
	115	12	CRW1 V	95×115×12 CRW1 V	
	120	12	CRW1 R	95×120×12 CRW1 R	
	120	12	CRW1 V	95×120×12 CRW1 V	
	120	12	CRWA1 V	95×120×12 CRWA1 V	
	125	12	CRW1 R	95×125×12 CRW1 R	
	130	12	CRW1 R	95×130×12 CRW1 R	
	130	12	CRW1 V	95×130×12 CRW1 V	
	98	120	12	CRW1 V	98×120×12 CRW1 V
120		12	CRW1 R	98×120×12 CRW1 R	
100	120	12	CRW1 R	100×120×12 CRW1 R	
	120	12	CRW1 V	100×120×12 CRW1 V	
	125	12	CRW1 R	100×125×12 CRW1 R	
	125	12	CRW1 V	100×125×12 CRW1 V	
	127	11,13	CRWH1 R	100×127×11 CRWH1 R	
	130	12	CRW1 R	100×130×12 CRW1 R	
	135	12	CRWA1 R	100×135×12 CRWA1 R	
	140	12	CRWA1 R	100×140×12 CRWA1 R	
	105	127	11,13	CRWH1 R	105×127×11 CRWH1 R
		130	12	CRW1 R	105×130×12 CRW1 R
130		12	CRW1 V	105×130×12 CRW1 V	
135		12	CRWA1 R	105×135×12 CRWA1 R	
140		12	CRWA1 R	105×140×12 CRWA1 R	
160		12	CRW1 R	105×160×12 CRW1 R	
110	130	12	CRW1 R	110×130×12 CRW1 R	
	130	12	CRW1 V	110×130×12 CRW1 V	
	135	12	CRW1 V	110×135×12 CRW1 V	
	140	12	CRW1 V	110×140×12 CRW1 V	
	140	12	CRW1 R	110×140×12 CRW1 R	
	145	12	CRW1 R	110×145×12 CRW1 R	
160	12	CRWH1 R	110×160×12 CRWH1 R		

Radial shaft seals – CRW1, CRWA1, CRWH1 and CRWA1 – metric dimensions
d₁ 115 – 280 mm



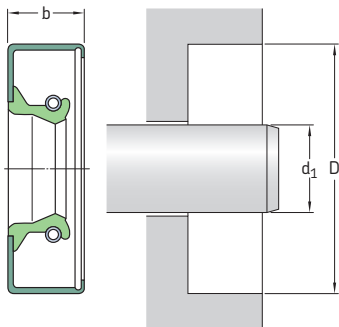
Please see **pages 74 to 76** for housing bore requirements.

Dimensions Shaft	Bore	Nominal seal width b	Design and lip material	Designation
d ₁	D			
mm			–	–
115	135 140 140	12 12 12	CRW1 R CRW1 R CRW1 V	115×135×12 CRW1 R 115×140×12 CRW1 R 115×140×12 CRW1 V
	145 150 160	12 12 12	CRW1 R CRW1 R CRW1 R	115×145×12 CRW1 R 115×150×12 CRW1 R 115×160×12 CRW1 R
120	140 145	12 12	CRWA1 R CRW1 R	120×140×12 CRWA1 R 120×145×12 CRW1 R
	150 160	12 12	CRW1 R CRWH1 R	120×150×12 CRW1 R 120×160×12 CRWH1 R
125	150 150 160	12 12 12	CRW1 R CRW1 V CRW1 R	125×150×12 CRW1 R 125×150×12 CRW1 V 125×160×12 CRW1 R
130	160 160 170	12 12 12	CRW1 R CRW1 V CRW1 R	130×160×12 CRW1 R 130×160×12 CRW1 V 130×170×12 CRW1 R
140	160 170 170	12 12 12	CRW1 R CRW1 R CRW1 V	140×160×12 CRW1 R 140×170×12 CRW1 R 140×170×12 CRW1 V¹⁾
143	181	12,70	CRWHA1 R	143×181×13 CRWHA1 R
160	190	15	CRW1 V	160×190×15 CRW1 V
162	200 200	14,30 15,88	CRWHA1 R CRWH1 R	162×200×14 CRWHA1 R 162×200×16 CRWH1 R
188	215	16	CRWH1 R	188×215×16 CRWH1 R
203	254	15,88	CRWHA1 R	203×254×16 CRWHA1 R¹⁾
216	254	15,88	CRWH1 R	216×254×16 CRWH1 R

¹⁾ Without SKF Bore Tite Coating

Dimensions			Design and lip material	Designation
Shaft	Bore	Nominal seal width		
d_1	D	b		
mm			–	–
220	250	16	CRWH1 R	220×250×16 CRWH1 R
280	320 320	20 20	CRWA1 R CRWA1 V	280×320×20 CRWA1 R 280×320×20 CRWA1 V

Radial shaft seals – CRW1, CRWA1, CRWH1 and CRWA1 – inch dimensions
 d_1 0.250 – 0.669 in.



Please see pages 74 to 76 for housing bore requirements.

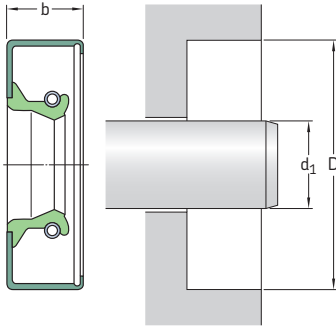
Dimensions Shaft	Bore	Nominal seal width b	Design and lip material	Designation	
d_1	D				
in.			–	–	
0.250	0.749	0.250	CRW1 V	2513 ¹⁾	
	0.749	0.250	CRW1 R	2514	
0.375	0.749	0.250	CRW1 R	3687 ¹⁾	
	0.749	0.250	CRW1 V	3688	
	0.750	0.250	CRWA1 R	3680	
	0.836	0.188	CRW1 P	3719	
	0.875	0.250	CRW1 R	3725	
	0.999	0.250	CRW1 R	3751 ¹⁾	
	0.999	0.250	CRW1 V	3752	
	1.124	0.250	CRW1 R	3806 ¹⁾	
	0.438	0.875	0.250	CRW1 P	4249
		0.875	0.250	CRW1 R	4251 ¹⁾
0.875		0.375	CRWA1 R	4261 ¹⁾	
0.875		0.375	CRWA1 V	4262	
0.999		0.250	CRW1 V	4356	
0.999		0.375	CRW1 P	4353	
0.999		0.375	CRW1 R	4355	
1.124		0.250	CRW1 R	4390	
0.500		0.875	0.250	CRW1 R	4931
		0.875	0.250	CRW1 V	4932
	0.875	0.250	CRWA1 V	4933	
	0.875	0.250	CRWA1 V	4935	
	0.875	0.250	CRW1 D	4936	
	0.875	0.313	CRWA1 R	4939	
	0.987	0.250	CRW1 R	4943	
	0.999	0.250	CRW1 V	4980	
	0.999	0.250	CRW1 R	4984	
	0.999	0.250	CRWA1 R	4985	
1.124	0.250	CRW1 P	5045		
1.124	0.250	CRWA1 R	5062		
1.124	0.250	CRW1 V	5066		

¹⁾ Without SKF Bore Tite Coating

Dimensions Shaft	Bore	Nominal seal width b	Design and lip material	Designation
d ₁	D			
in.			–	–
0.500	1.124	0.250	CRWA1 V	5067
cont.	1.124	0.250	CRW1 R	5068
	1.124	0.313	CRW1 P	5046
	1.250	0.250	CRW1 R	5133
	1.375	0.250	CRW1 R	5150
	1.375	0.250	CRW1 V	5151
0.531	0.999	0.250	CRWA1 S	5321
0.546	0.875	0.250	CRW1 P	5385¹⁾
0.554	0.999	0.250	CRW1 R	5605
0.563	0.875	0.188	CRW1 D	5523
	0.999	0.250	CRW1 R	5541
	0.999	0.250	CRW1 V	5542
	0.999	0.250	CRW1 R	5543
	0.999	0.250	CRWA1 R	5606
	1.124	0.250	CRW1 V	5650
	1.124	0.250	CRW1 R	5652
	1.124	0.250	CRWA1 R	5662
	1.250	0.250	CRW1 R	5707
	1.375	0.250	CRW1 R	5756
0.594	1.124	0.313	CRW1 R	5926
	1.124	0.313	CRW1 V	5927
0.625	0.987	0.250	CRW1 R	6134
	0.999	0.250	CRWA1 V	6139
	0.999	0.250	CRWA1 R	6141
	0.999	0.250	CRW1 R	6143
	1.063	0.250	CRW1 R	6157
	1.124	0.250	CRW1 R	6903
	1.124	0.250	CRWA1 R	6904
	1.124	0.250	CRW1 V	6823
	1.124	0.250	CRWA1 V	6825
	1.181	0.250	CRWA1 R	6247
	1.181	0.256	CRWA1 V	6248
	1.250	0.250	CRW1 V	6909
	1.250	0.250	CRW1 R	6925
	1.250	0.250	CRWA1 R	6916
	1.375	0.250	CRW1 R	6372
	1.375	0.250	CRWA1 R	6373
	1.375	0.250	CRW1 V	6979
	1.375	0.250	CRWA1 V	6383
	1.377	0.250	CRWHA1 R	6391
	1.499	0.250	CRW1 R	6422
0.656	1.124	0.313	CRW1 R	6523
	1.250	0.250	CRW1 R	6541
	1.375	0.313	CRW1 R	6556
	1.575	0.250	CRW1 R	6582
0.669	0.999	0.188	CRW1 R	6595
	1.064	0.250	CRW1 R	6728
	1.064	0.250	CRW1 R	6729
	1.573	0.281	CRW1 V	6597¹⁾

¹⁾ Without SKF Bore Tite Coating

Radial shaft seals – CRW1, CRWA1, CRWH1 and CRWA1 – inch dimensions
 d_1 **0.688 – 0.875 in.**



Please see **pages 74 to 76** for housing bore requirements.

Dimensions Shaft	Bore	Nominal seal width b	Design and lip material	Designation
d_1	D			
in.			–	–
0.688	1.124	0.190	CRW1 R	6738
	1.124	0.250	CRW1 R	6741
	1.124	0.250	CRW1 R	6743
	1.124	0.250	CRW1 V	6745
	1.187	0.188	CRW1 V	6770
	1.188	0.188	CRW1 R	6763
	1.250	0.256	CRWA1 R	6765
	1.250	0.256	CRWA1 V	6751
	1.250	0.313	CRW1 R	6767
	1.250	0.313	CRW1 V	6768
	1.252	0.220	CRWH1 V	6769
	1.375	0.250	CRWA1 R	6814
	1.375	0.313	CRW1 R	6816
	1.375	0.313	CRW1 V	6817
	1.499	0.250	CRW1 R	6935
	1.624	0.250	CRWA1 R	6990
0.750	1.124	0.188	CRW1 R	7414
	1.124	0.188	CRW1 V	7417
	1.249	0.188	CRW1 V	7467¹⁾
	1.250	0.188	CRW1 R	7439
	1.250	0.188	CRW1 R	7478¹⁾
	1.250	0.250	CRW1 R	7438
	1.250	0.250	CRW1 R	7440
	1.250	0.250	CRWA1 R	7443
	1.250	0.250	CRW1 V	7450
	1.250	0.250	CRWA1 V	7453
	1.250	0.250	CRWA1 V	7455
	1.252	0.188	CRW1 R	7469
	1.260	0.250	CRW1 R	7473
	1.312	0.250	CRW1 R	7474
	1.312	0.250	CRWA1 R	7475
	1.375	0.250	CRW1 R	7512

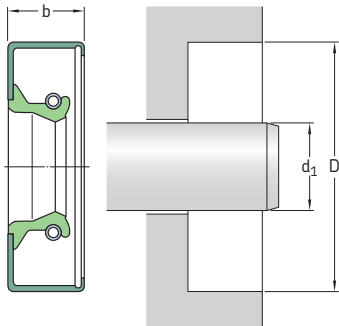
¹⁾ Without SKF Bore Tite Coating

Dimensions Shaft	Bore	Nominal seal width b	Design and lip material	Designation
d ₁	D			
in.			–	–
0.750	1.375	0.250	CRWA1 R	7513
cont.	1.375	0.250	CRW1 V	7515
	1.375	0.250	CRWA1 V	7517
	1.375	0.250	CRWA1 P	7533
	1.499	0.250	CRW1 V	7567
	1.499	0.250	CRW1 R	7572¹⁾
	1.499	0.250	CRWA1 R	7573
	1.575	0.250	CRW1 R	7591
	1.624	0.250	CRW1 V	7623
	1.624	0.250	CRWA1 V	7624
	1.624	0.250	CRW1 R	7627
	1.624	0.250	CRWA1 R	7628
	1.752	0.250	CRW1 R	7636
	1.752	0.250	CRWA1 V	7638
	1.828	0.250	CRW1 R	7661
	1.874	0.250	CRW1 R	7690
	2.047	0.313	CRW1 R	7693
0.781	1.375	0.313	CRW1 V	7824
	1.375	0.313	CRW1 R	7829¹⁾
	1.499	0.313	CRW1 R	7849
	1.624	0.313	CRW1 R	7872
	1.828	0.250	CRW1 P	7889
0.787	1.124	0.188	CRW1 R	7740
0.813	1.187	0.313	CRWA1 V	8013
	1.250	0.188	CRW1 R	8017¹⁾
	1.250	0.188	CRW1 P	8018
	1.375	0.375	CRW1 V	8053
	1.375	0.375	CRW1 R	8060
	1.499	0.250	CRW1 R	8088¹⁾
	1.624	0.250	CRW1 V	8178
	1.752	0.375	CRW1 R	8215
0.875	1.250	0.188	CRW1 R	8624
	1.250	0.250	CRW1 V	8621
	1.308	0.250	CRW1 V	8649
	1.375	0.250	CRW1 V	8646
	1.375	0.250	CRW1 R	8648
	1.437	0.250	CRW1 R	8691
	1.499	0.250	CRW1 R	8700
	1.499	0.250	CRWA1 R	8702
	1.499	0.250	CRW1 V	8704
	1.499	0.250	CRWA1 V	8707
	1.499	0.313	CRW1 R	8703¹⁾
	1.502	0.313	CRWA1 R	8748
	1.575	0.250	CRW1 R	8763
	1.624	0.250	CRWA1 R	8782
	1.624	0.250	CRW1 V	8795
	1.624	0.250	CRW1 R	8796
	1.752	0.250	CRW1 R	8821
	1.828	0.250	CRW1 R	8842
	1.874	0.250	CRW1 R	8860

¹⁾ Without SKF Bore Tite Coating

Radial shaft seals – CRW1, CRWA1, CRWH1 and CRWA1 – inch dimensions

d_1 0.875 – 1.063 in.



Please see **pages 74 to 76** for housing bore requirements.

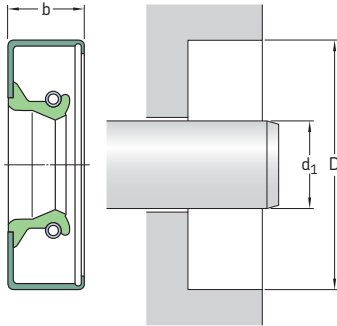
Dimensions Shaft	Bore	Nominal seal width b	Design and lip material	Designation
d_1	D			
in.			–	–
0.875	2.000	0.250	CRW1 R	8870
cont.	2.050	0.375	CRWH1 V	8871
0.882	2.088	0.313	CRWA1 R	9000
0.938	1.375	0.250	CRWA1 R	9244
	1.500	0.250	CRW1 R	9303
	1.500	0.250	CRW1 V	9304
	1.624	0.250	CRW1 R	9307
	1.624	0.250	CRW1 V	9308
	1.752	0.250	CRW1 R	9347
	1.828	0.250	CRW1 R	9409
0.950	1.358	0.275	CRW1 P	9520
0.969	1.406	0.250	CRWA1 P	9604
	1.499	0.313	CRW1 V	9611
	1.499	0.313	CRW1 R	9613¹⁾
	1.624	0.250	CRW1 R	9646
	1.624	0.250	CRW1 V	9647
	1.686	0.313	CRWA1 R	9663
	1.686	0.313	CRW1 R	9664
	1.752	0.250	CRW1 R	9667
	1.828	0.313	CRW1 R	9681
0.981	1.376	0.313	CRW1 V	9888¹⁾
0.984	1.499	0.250	CRW1 V	9686
	1.749	0.375	CRWA1 V	9803¹⁾
1.000	1.367	0.313	CRW1 R	9822
	1.375	0.250	CRW1 P	9826¹⁾
	1.375	0.250	CRW1 V	9831

¹⁾ Without SKF Bore Tite Coating

Dimensions Shaft	Bore	Nominal seal width b	Design and lip material	Designation
d ₁	D			
in.			–	–
1.000	1.437	0.250	CRW1 V	9833
cont.	1.437	0.250	CRW1 R	9837
	1.437	0.250	CRWA1 R	9838
	1.437	0.250	CRWA1 V	9847
	1.496	0.390	CRW1 R	9850
	1.499	0.250	CRW1 R	9852
	1.499	0.250	CRW1 V	9854
	1.499	0.250	CRW1 R	9876
	1.499	0.250	CRWA1 R	9878
	1.499	0.250	CRWA1 V	9879
	1.499	0.315	CRWA1 V	9862
	1.499	0.315	CRW1 V	9892
	1.561	0.250	CRW1 R	9894
	1.575	0.313	CRWA1 R	9907
	1.624	0.250	CRW1 R	9934
	1.624	0.250	CRWA1 R	9935
	1.624	0.250	CRW1 V	9937
	1.624	0.250	CRWA1 V	9939
	1.686	0.250	CRW1 R	9960
	1.752	0.250	CRW1 V	9982
	1.752	0.250	CRWA1 V	9983
	1.752	0.250	CRW1 R	9997
	1.752	0.250	CRWA1 R	9998
	1.828	0.250	CRW1 V	10058
	1.828	0.250	CRW1 P	10047
	1.828	0.250	CRW1 R	10049
	1.828	0.250	CRWA1 R	10050
	1.851	0.250	CRW1 R	10071
	1.874	0.250	CRW1 R	10075
	1.938	0.250	CRW1 R	10104
	1.983	0.250	CRWA1 V	10111
	1.983	0.313	CRWA1 R	10114
	2.000	0.250	CRW1 R	10123
	2.000	0.250	CRWA1 R	10124
	2.000	0.250	CRWA1 R	10127
	2.000	0.250	CRW1 V	10128
	2.000	0.250	CRWA1 V	10129
	2.047	0.250	CRWA1 R	10157
	2.062	0.250	CRW1 R	10158
	2.250	0.250	CRW1 R	10169
1.063	1.499	0.250	CRW1 R	10515
	1.499	0.250	CRW1 V	10518
	1.512	0.256	CRW1 P	532866
	1.561	0.250	CRW1 R	10581
	1.577	0.250	CRW1 R	10583
	1.624	0.250	CRW1 R	10598
	1.686	0.250	CRW1 R	10632
	1.752	0.250	CRW1 R	10653
	1.828	0.250	CRW1 R	10681
	1.828	0.250	CRW1 V	10682
	1.874	0.250	CRW1 R	10700
	1.979	0.250	CRW1 R	10728
	1.983	0.250	CRW1 R	10733

Radial shaft seals – CRW1, CRWA1, CRWH1 and CRWAH1 – inch dimensions

d_1 1.063 – 1.250 in.



Please see pages 74 to 76 for housing bore requirements.

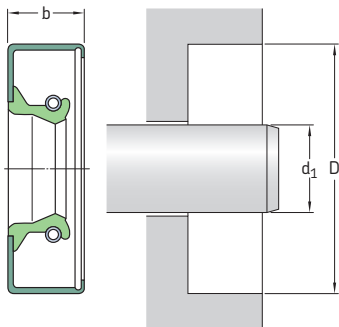
Dimensions Shaft	Bore	Nominal seal width b	Design and lip material	Designation
d_1	D			
in.			–	–
1.063	2.000	0.250	CRW1 R	10740
cont.	2.062	0.250	CRW1 R	10766
1.125	1.499	0.188	CRW1 V	11059¹⁾
	1.499	0.188	CRW1 R	11061¹⁾
	1.561	0.250	CRW1 P	11066
	1.561	0.250	CRW1 R	11067
	1.561	0.250	CRW1 V	11071
	1.565	0.250	CRW1 R	11082
	1.624	0.250	CRW1 P	11111
	1.624	0.250	CRW1 R	11123
	1.624	0.250	CRWA1 R	11124
	1.624	0.250	CRW1 V	11133
	1.624	0.250	CRWA1 V	11134
	1.733	0.375	CRW1 R	11137
	1.752	0.250	CRW1 R	11138
	1.752	0.250	CRW1 V	11144
	1.828	0.250	CRW1 R	11170
	1.828	0.250	CRWA1 R	11171
	1.828	0.250	CRW1 V	11172
	1.828	0.250	CRWA1 V	11175
	1.852	0.313	CRWH1 R	11197
	1.852	0.313	CRWAH1 R	11200
	1.874	0.250	CRW1 V	11225
	1.874	0.250	CRWA1 V	11218
	1.874	0.250	CRW1 R	11224
	1.874	0.250	CRWA1 R	11223
	1.983	0.250	CRW1 R	11299
	2.000	0.250	CRW1 R	11340
	2.000	0.250	CRW1 V	11344
	2.000	0.374	CRWA1 V	12138
	2.000	0.375	CRWA1 R	11343

¹⁾ Without SKF Bore Tite Coating

Dimensions Shaft	Bore	Nominal seal width b	Design and lip material	Designation
d ₁	D			
in.			–	–
1.125	2.047	0.313	CRWA1 R	11353
cont.	2.062	0.250	CRWA1 V	11368
	2.062	0.313	CRW1 R	11366
	2.125	0.313	CRW1 R	11372
	2.125	0.313	CRW1 V	11373
	2.250	0.250	CRW1 R	11378
	2.441	0.250	CRW1 R	11392
1.126	1.575	0.236	CRWA1 R	11086
1.156	1.686	0.250	CRWA1 R	11518
	1.752	0.250	CRWA1 R	11514
	1.874	0.250	CRW1 R	11524
	1.875	0.375	CRWA1 R	11536¹⁾
	2.000	0.250	CRW1 R	11544
	2.000	0.250	CRWA1 R	11545
	2.000	0.250	CRW1 V	11550
	2.062	0.313	CRW1 R	11558
1.175	2.031	0.500	CRW1 R	11553
1.178	2.073	0.335	CRW1 S	11650
1.188	1.561	0.313	CRW1 V	11710¹⁾
	1.686	0.250	CRW1 P	11728
	1.687	0.250	CRW1 R	11730
	1.752	0.250	CRW1 R	11734
	1.752	0.250	CRW1 V	11736
	1.828	0.375	CRW1 R	11740
	1.875	0.250	CRW1 P	11763
	1.875	0.375	CRW1 R	11585
	1.983	0.250	CRW1 R	11776
	1.983	0.250	CRWA1 R	11777
	2.000	0.250	CRW1 R	11800
	2.000	0.250	CRWA1 R	11801
	2.000	0.250	CRW1 V	11806
	2.062	0.250	CRW1 R	11878
	2.062	0.250	CRW1 P	11879
	2.125	0.313	CRW1 R	11907
	2.165	0.250	CRW1 R	11911
	2.250	0.250	CRW1 R	11914
	2.437	0.250	CRW1 R	11923
	2.441	0.250	CRW1 R	11930
1.190	2.125	0.313	CRWHA1 R	11908
1.234	2.250	0.250	CRW1 R	12590
1.250	1.625	0.188	CRW1 R	12329
	1.687	0.250	CRW1 V	12335
	1.687	0.250	CRW1 R	12336
	1.687	0.250	CRWA1 V	12337
	1.687	0.313	CRWA1 R	12350

¹⁾ Without SKF Bore Tite Coating

Radial shaft seals – CRW1, CRWA1, CRWH1 and CRWA1 – inch dimensions
 d_1 1.250 – 1.375 in.



Please see pages 74 to 76 for housing bore requirements.

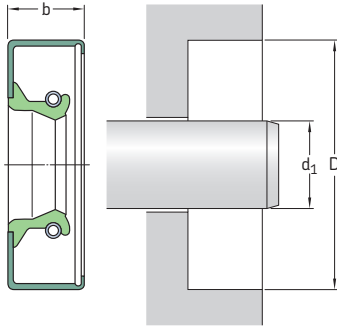
Dimensions Shaft	Bore	Nominal seal width b	Design and lip material	Designation
d_1	D			
in.			–	–
1.250	1.752	0.250	CRW1 V	12340
cont.	1.752	0.250	CRWA1 V	12343
	1.752	0.250	CRW1 R	12363
	1.752	0.250	CRWA1 R	12364
	1.874	0.250	CRW1 P	12382
	1.874	0.250	CRWA1 V	12383
	1.874	0.250	CRW1 R	12384
	1.874	0.250	CRWA1 R	12386
	1.938	0.250	CRW1 R	12391
	1.955	0.250	CRWA1 R	12396
	1.983	0.250	CRW1 R	12427
	1.983	0.250	CRWA1 R	12428
	1.983	0.250	CRW1 V	12432
	2.000	0.250	CRW1 V	12445
	2.000	0.250	CRWA1 V	12446
	2.000	0.250	CRW1 R	12456
	2.000	0.250	CRWA1 R	12458
	2.000	0.438	CRW1 P	12483
	2.062	0.250	CRWA1 V	12531
	2.062	0.433	CRWA1 V	12533
	2.062	0.438	CRWH1 R	12530
	2.125	0.250	CRW1 V	12544
	2.125	0.250	CRW1 R	12545
	2.125	0.250	CRWA1 R	12551
	2.250	0.250	CRW1 R	12577
	2.327	0.500	CRW1 R	12610
	2.374	0.313	CRW1 R	12613
	2.374	0.313	CRWA1 R	12614
	2.374	0.315	CRW1 V	12612
	2.437	0.250	CRW1 R	12621
	2.441	0.250	CRW1 R	12631
	2.500	0.310	CRW1 V	12638
	2.502	0.313	CRW1 R	12637

Dimensions Shaft d ₁	Bore D	Nominal seal width b	Design and lip material	Designation
in.			–	–
1.301	2.046	0.492	CRWA1 R	12907
1.313	1.828	0.375	CRW1 P	13021
	2.062	0.313	CRW1 R	13050
	2.062	0.313	CRWA1 R	13052
	2.062	0.313	CRW1 V	13054
	2.125	0.313	CRW1 R	13092
	2.250	0.313	CRW1 R	13112
	2.282	0.250	CRWA1 R	13157
1.328	2.031	0.313	CRW1 R	13415¹⁾
	2.061	0.313	CRW1 R	13350
	2.227	0.313	CRW1 R	13418
1.344	2.106	0.313	CRW1 R	13421
	2.125	0.313	CRW1 R	13437
1.365	1.956	0.438	CRW1 R	13985
	2.081	0.313	CRW1 R	13598
	2.261	0.313	CRW1 R	13700
1.375	1.750	0.250	CRW1 R	13514
	1.828	0.250	CRWA1 V	13510
	1.828	0.313	CRW1 R	13537
	1.835	0.250	CRW1 R	13536
	1.873	0.313	CRW1 V	13511
	1.874	0.250	CRW1 P	13512
	1.874	0.250	CRW1 R	13534
	1.874	0.250	CRW1 V	13538
	1.874	0.313	CRWA1 R	13535
	1.938	0.250	CRWA1 R	13552
	1.955	0.433	CRWA1 P	13527
	1.983	0.313	CRW1 P	13557
	2.000	0.313	CRWA1 P	13562
	2.000	0.313	CRW1 R	13568
	2.000	0.313	CRWA1 R	13569
	2.000	0.313	CRWH1 R	13571
	2.000	0.313	CRW1 V	13579
	2.000	0.313	CRWA1 V	13581
	2.062	0.313	CRW1 V	13582
	2.062	0.313	CRW1 R	13585¹⁾
	2.062	0.313	CRWA1 P	13588
	2.062	0.315	CRWA1 V	13607
	2.106	0.313	CRWA1 R	13602¹⁾
	2.106	0.313	CRW1 P	13614
	2.125	0.313	CRW1 R	13649
	2.125	0.313	CRWA1 R	13651
	2.125	0.313	CRWA1 V	13661
	2.125	0.313	CRW1 V	13663
	2.250	0.250	CRWA1 R	13698
	2.250	0.313	CRW1 R	13671
	2.250	0.313	CRWA1 R	13676
	2.250	0.313	CRW1 V	13688
	2.250	0.313	CRWA1 V	13691
	2.250	0.313	CRW1 P	13869

¹⁾ Without SKF Bore Tite Coating

Radial shaft seals – CRW1, CRWA1, CRWH1 and CRWA1 – inch dimensions

d_1 1.375 – 1.500 in.



Please see **pages 74 to 76** for housing bore requirements.

Dimensions Shaft	Bore	Nominal seal width b	Design and lip material	Designation
d_1	D			
in.			–	–
1.375	2.374	0.313	CRW1 V	13734
cont.	2.374	0.313	CRW1 R	13738
	2.374	0.313	CRWA1 R	13739
	2.437	0.250	CRW1 R	13797
	2.441	0.313	CRW1 R	13810
	2.441	0.313	CRWA1 R	13812
	2.502	0.313	CRW1 R	13865
	2.502	0.313	CRW1 V	13867
	2.502	0.374	CRWA1 V	13856
	2.562	0.375	CRW1 R	13875
	2.562	0.375	CRWA1 R	13876
	2.562	0.375	CRWA1 V	13878
	2.623	0.313	CRWA1 V	13882
	2.686	0.500	CRW1 R	13892
	2.716	0.313	CRW1 R	13900
	2.812	0.375	CRWA1 R	13912
	2.835	0.313	CRWA1 R	13918
	2.835	0.313	CRW1 R	13920
	2.835	0.313	CRWA1 P	13925
	2.875	0.313	CRWA1 P	13929
1.378	2.835	0.313	CRWA1 V	13926
1.417	2.616	0.313	CRW1 R	14092
1.438	2.062	0.313	CRW1 V	14212¹⁾
	2.062	0.313	CRWA1 R	14214
	2.125	0.313	CRW1 R	14223
	2.125	0.313	CRWA1 V	14225
	2.250	0.313	CRWA1 R	14247
	2.250	0.313	CRWA1 V	14259
	2.250	0.313	CRW1 V	14260
	2.250	0.313	CRW1 R	14262

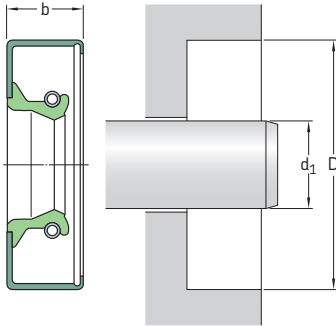
¹⁾ Without SKF Bore Tite Coating

Dimensions Shaft	Bore	Nominal seal width b	Design and lip material	Designation
d ₁	D			
in.			–	–
1.438	2.374	0.313	CRW1 R	14282
cont.	2.374	0.313	CRWA1 R	14285
	2.437	0.313	CRW1 R	14363
	2.502	0.313	CRW1 R	14383
	2.623	0.313	CRW1 R	14404
	2.686	0.313	CRW1 R	14423
	2.750	0.313	CRW1 R	14458
1.484	2.254	0.313	CRW1 R	14907
1.494	2.060	0.270	CRW1 R	14789
1.496	2.165	0.315	CRWA1 R	550250
1.500	1.874	0.250	CRW1 R	14807¹⁾
	1.918	0.250	CRW1 V	14809¹⁾
	1.983	0.250	CRW1 V	14821
	1.983	0.250	CRWA1 R	14824
	1.983	0.313	CRW1 R	14832
	2.000	0.313	CRWA1 R	14846
	2.000	0.313	CRW1 R	14855
	2.000	0.313	CRW1 V	14861
	2.048	0.313	CRWA1 R	14858
	2.062	0.313	CRW1 R	14864
	2.062	0.313	CRW1 V	14867
	2.125	0.313	CRW1 R	14875
	2.125	0.313	CRWA1 R	14876
	2.125	0.313	CRW1 V	14886
	2.125	0.313	CRWA1 V	14887
	2.222	0.313	CRW1 R	14903
	2.250	0.313	CRW1 S	14935
	2.250	0.313	CRW1 R	14938
	2.250	0.313	CRWA1 R	14939
	2.250	0.313	CRW1 V	14940
	2.250	0.313	CRWA1 V	14942
	2.260	0.406	CRW1 R	14968
	2.374	0.313	CRW1 V	14992
	2.374	0.313	CRWA1 V	14994
	2.374	0.313	CRW1 R	15004
	2.374	0.313	CRWA1 R	15005
	2.374	0.500	CRWH1 R	15039
	2.377	0.453	CRWA1 R	15041
	2.437	0.313	CRW1 R	15076
	2.441	0.313	CRW1 R	15092¹⁾
	2.441	0.313	CRWA1 R	15093
	2.441	0.313	CRW1 V	15097
	2.502	0.313	CRW1 V	15138
	2.502	0.313	CRW1 R	15141
	2.502	0.313	CRWA1 R	15142
	2.561	0.313	CRW1 R	15176
	2.623	0.313	CRW1 R	15194
	2.686	0.500	CRW1 R	15207

¹⁾ Without SKF Bore Tite Coating

Radial shaft seals – CRW1, CRWA1, CRWH1 and CRWA1 – inch dimensions

d_1 1.500 – 1.645 in.



Please see pages 74 to 76 for housing bore requirements.

Dimensions Shaft	Bore	Nominal seal width	Design and lip material	Designation
d_1	D	b		
in.			–	–
1.500	2.716	0.438	CRW1 R	15204
cont.	2.750	0.313	CRW1 R	15214
	2.758	0.313	CRW1 R	15230
	2.835	0.313	CRW1 R	15234
	2.875	0.313	CRW1 R	15235
1.552	2.502	0.500	CRWA1 R	15450
	2.686	0.500	CRW1 R	15460
	2.750	0.500	CRWHA1 P	15462
1.563	2.062	0.250	CRW1 V	15506
	2.062	0.250	CRW1 R	15508
	2.125	0.313	CRW1 R	15517¹⁾
	2.125	0.313	CRWA1 P	15518
	2.250	0.313	CRW1 R	15522
	2.374	0.313	CRW1 P	15540¹⁾
	2.374	0.313	CRW1 R	15542
	2.374	0.313	CRWA1 R	15543
	2.374	0.313	CRWA1 V	15549
	2.437	0.313	CRW1 R	15592¹⁾
	2.441	0.500	CRWA1 R	15620
	2.465	0.374	CRWA1 P	15624
	2.502	0.313	CRWA1 R	15635
	2.502	0.313	CRW1 R	15655
	2.502	0.313	CRW1 V	15656
	2.561	0.313	CRW1 R	15677
	2.623	0.313	CRW1 R	15699
	2.686	0.313	CRW1 R	15707
	2.750	0.500	CRWH1 R	15761
	2.875	0.313	CRW1 R	15773
	2.875	0.313	CRWA1 P	15779

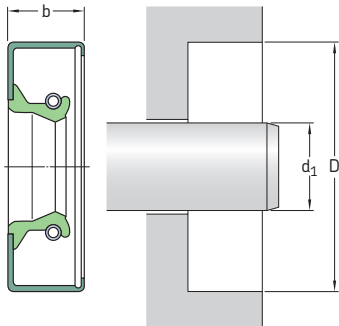
¹⁾ Without SKF Bore Tite Coating

Dimensions Shaft	Bore	Nominal seal width b	Design and lip material	Designation
d ₁	D			
in.			–	–
1.578	2.082 2.408	0.250 0.313	CRW1 R CRWHA1 R	15510 15557
1.594	2.125 2.437 2.437	0.313 0.313 0.313	CRW1 P CRW1 P CRW1 R	15915 15940 15955
	2.502 2.623 2.758	0.313 0.313 0.313	CRW1 R CRW1 R CRW1 R	15960 15968 15975
1.618	2.531	0.438	CRWA1 R	16449
1.625	2.000 2.000	0.250 0.250	CRW1 V CRW1 R	16039 16046¹⁾
	2.116 2.125 2.125	0.313 0.250 0.250	CRWA1 R CRW1 V CRW1 R	16047 16048 16054
	2.248 2.250 2.250 2.250 2.282	0.313 0.313 0.313 0.375 0.313	CRWA1 R CRW1 R CRW1 V CRW1 P CRW1 R	16062 16061 16078¹⁾ 16049 16083
	2.374 2.374 2.374	0.250 0.313 0.313	CRW1 R CRWH1 R CRW1 V	16094¹⁾ 16072 16077
	2.374 2.374 2.374 2.374	0.313 0.313 0.313 0.500	CRW1 R CRWA1 R CRWA1 P CRWH1 R	16084 16085 16091¹⁾ 16079
	2.437 2.437 2.437 2.437	0.313 0.313 0.313 0.313	CRW1 R CRWA1 R CRW1 V CRWA1 V	16113 16128 16119 16120
	2.441 2.441	0.313 0.313	CRW1 R CRWA1 R	16180 16201
	2.502 2.502 2.502	0.313 0.313 0.313	CRWA1 V CRW1 R CRWA1 R	16243 16245 16246
	2.502 2.502 2.502 2.562	0.313 0.374 0.375 0.313	CRWA1 P CRWHA1 V CRWHA1 R CRWA1 V	16247¹⁾ 16257 16254 16290
	2.623 2.623 2.623 2.686 2.686	0.313 0.313 0.313 0.313 0.313	CRW1 R CRWA1 R CRW1 V CRW1 R CRW1 V	16314 16315 16316 16337 16338
	2.750 2.750 2.758	0.250 0.313 0.313	CRW1 R CRWH1 R CRW1 R	16364 16368 16374
	2.875 3.000	0.313 0.313	CRW1 R CRWH1 R	16406 16422
1.645	2.656	0.313	CRWA1 P	16500

¹⁾ Without SKF Bore Tite Coating

Radial shaft seals – CRW1, CRWA1, CRWH1 and CRWA1 – inch dimensions

d_1 1.656 – 1.813 in.



Please see pages 74 to 76 for housing bore requirements.

Dimensions Shaft	Bore	Nominal seal width b	Design and lip material	Designation
d_1	D	b		
in.			–	–
1.656	2.623 2.686	0.375 0.313	CRWA1 P CRW1 R	16545 16556
1.688	2.279 2.328 2.437 2.437 2.437 2.437	0.500 0.313 0.250 0.313 0.313 0.469	CRWH1 R CRWA1 R CRW1 S CRW1 R CRWA1 R CRW1 S	16650 16657 16692 16679 16680 16696
	2.502 2.623 2.623 2.623 2.686	0.313 0.313 0.500 0.500 0.313	CRW1 R CRWA1 R CRW1 R CRWA1 V CRW1 R	16719 16814 16816 16817 16842
	2.716 2.750 2.750 2.875	0.313 0.313 0.375 0.313	CRW1 R CRW1 R CRWA1 R CRW1 R	16854 16900¹⁾ 16903 16999
	3.061 3.125	0.375 0.375	CRW1 R CRWA1 R	17035 17038
1.704	3.034	0.500	CRWA1 R	17100
1.719	2.561	0.315	CRWA1 R	17144
1.750	2.250 2.250	0.313 0.313	CRW1 R CRW1 V	17231 17234
	2.374 2.374 2.374	0.313 0.313 0.313	CRWA1 V CRW1 R CRWA1 R	17261 17270 17271
	2.411 2.437 2.437	0.375 0.313 0.313	CRW1 P CRW1 R CRW1 R	17280 17283 17284

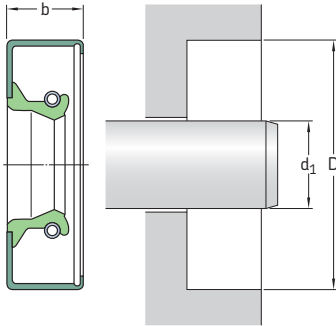
¹⁾ Without SKF Bore Tite Coating

Dimensions Shaft	Bore	Nominal seal width b	Design and lip material	Designation
d ₁	D			
in.			–	–
1.750 cont.	2.437	0.313	CRWA1 R	17285
	2.437	0.313	CRW1 V	17292
	2.437	0.313	CRWA1 V	17293
	2.441	0.313	CRW1 R	17315
	2.441	0.313	CRWA1 R	550154
	2.441	0.375	CRWA1 V	17320
	2.502	0.313	CRW1 V	17379
	2.502	0.313	CRWA1 V	17381
	2.502	0.313	CRW1 R	17386
	2.502	0.313	CRWA1 R	17387
	2.502	0.375	CRWHA1 V	17395
	2.502	0.375	CRW1 S	17399
	2.561	0.313	CRW1 R	17404
	2.565	0.313	CRWA1 R	17413
	2.623	0.313	CRW1 R	17442
	2.623	0.313	CRWA1 R	17443
	2.623	0.313	CRW1 S	17444
	2.623	0.313	CRWA1 V	17448
	2.623	0.375	CRWH1 R	17456
	2.686	0.313	CRW1 R	17484 ¹⁾
	2.717	0.438	CRWA1 R	17607
	2.750	0.313	CRWA1 R	17523
	2.750	0.313	CRW1 R	17557
	2.750	0.313	CRW1 V	17558
	2.758	0.313	CRW1 R	17605
	2.810	0.313	CRWA1 R	17624 ¹⁾
	2.810	0.313	CRWA1 V	17627
	2.875	0.313	CRW1 R	17653
	2.875	0.313	CRW1 V	17657
	2.875	0.375	CRWHA1 R	17645
	2.981	0.438	CRWHA1 R	17675 ¹⁾
	2.997	0.313	CRWHA1 R	17678
	2.997	0.313	CRW1 R	17695
	3.000	0.313	CRWA1 R	17699
	3.000	0.313	CRW1 R	17707
	3.000	0.313	CRW1 V	17709
	3.061	0.313	CRW1 R	17716
	3.061	0.375	CRWA1 R	17718
	3.189	0.313	CRW1 R	17746
	3.543	0.438	CRW1 R	17756
3.625	0.438	CRW1 R	17761	
1.768	2.363	0.313	CRWHA1 V	17780
1.781	2.252	0.313	CRWA1 R	17806
	2.502	0.313	CRWH1 R	17810
	2.502	0.313	CRWH1 V	17811
	2.623	0.313	CRW1 R	17821
2.686	0.313	CRW1 R	17832 ¹⁾	
1.812	2.623	0.374	CRWA1 V	17949
1.813	2.279	0.313	CRW1 R	18025
	2.437	0.313	CRW1 R	18039
	2.562	0.313	CRWA1 V	18049

¹⁾ Without SKF Bore Tite Coating

Radial shaft seals – CRW1, CRWA1, CRWH1 and CRWA1 – inch dimensions

d_1 **1.813 – 1.938 in.**



Please see **pages 74 to 76** for housing bore requirements.

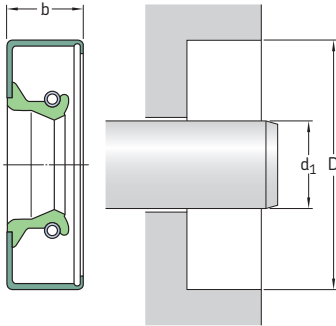
Dimensions Shaft	Bore	Nominal seal width b	Design and lip material	Designation
d_1	D			
in.			–	–
1.813	2.623	0.313	CRW1 R	18104
cont.	2.686	0.313	CRWA1 P	18114
	2.750	0.313	CRW1 R	18159
	2.875	0.313	CRW1 R	18242
	3.000	0.375	CRWA1 P	18264
1.844	2.623	0.313	CRW1 R	18425
	2.750	0.313	CRW1 P	18444
1.868	2.518	0.315	CRWA1 P	18492
1.875	2.398	0.250	CRW1 R	18549
	2.471	0.313	CRWA1 R	18545
	2.500	0.313	CRW1 P	18555
	2.502	0.313	CRW1 R	18565
	2.562	0.313	CRWA1 V	18546
	2.562	0.313	CRW1 P	18562
	2.623	0.313	CRW1 R	18580
	2.623	0.313	CRWA1 R	18581
	2.623	0.313	CRW1 V	18582
	2.623	0.313	CRWA1 V	18584
	2.623	0.374	CRW1 S	18592
	2.686	0.313	CRW1 R	18626
	2.750	0.313	CRW1 V	18652
	2.750	0.313	CRW1 R	18657
	2.750	0.313	CRWA1 R	18658
	2.750	0.313	CRW1 P	18666
	2.758	0.313	CRW1 P	18671
	2.758	0.313	CRW1 S	18679
	2.782	0.438	CRWH1 R	18693
	2.782	0.438	CRWA1 R	18695
	2.875	0.313	CRW1 V	18732
	2.875	0.313	CRW1 R	18733
	2.875	0.313	CRWA1 R	18734

Dimensions Shaft	Bore	Nominal seal width b	Design and lip material	Designation
d ₁	D			
in.			–	–
1.875	2.875	0.313	CRWA1 V	18737
cont.	2.997	0.313	CRW1 R	18785
	3.000	0.313	CRW1 R	18817
	3.000	0.313	CRW1 V	18818
	3.061	0.313	CRWA1 R	18872
	3.105	0.500	CRWA1 R	18880
	3.189	0.469	CRWH1 R	18899
	3.249	0.484	CRWA1 R	18922
	3.371	0.438	CRWH1 R	18916
	3.496	0.438	CRWA1 R	18924
	3.500	0.438	CRW1 R	18926
1.893	2.434	0.250	CRW1 R	19000¹⁾
1.906	2.752	0.375	CRWA1 P	19017
1.915	2.533	0.250	CRW1 R	19010
1.938	2.412	0.313	CRW1 R	19215
	2.437	0.250	CRW1 R	19210
	2.437	0.250	CRW1 R	19212
	2.502	0.375	CRWA1 R	19220
	2.563	0.313	CRW1 R	19211
	2.623	0.313	CRW1 R	19226
	2.623	0.313	CRWA1 V	19227
	2.623	0.313	CRWA1 R	19229
	2.686	0.300	CRW1 P	19244
	2.686	0.313	CRWA1 P	19234
	2.686	0.313	CRW1 R	19236
	2.686	0.313	CRWA1 R	19237
	2.686	0.313	CRWA1 V	19243
	2.686	0.375	CRW1 S	19240
	2.750	0.313	CRW1 R	19264
	2.750	0.313	CRW1 V	19267
	2.875	0.313	CRW1 R	19300
	2.875	0.313	CRWA1 R	19301
	2.875	0.313	CRWH1 V	19304
	2.884	0.313	CRWA1 P	19310
	2.997	0.313	CRW1 R	19350
	3.000	0.313	CRW1 R	19359
	3.000	0.313	CRWA1 R	19360¹⁾
	3.000	0.313	CRWA1 V	19368
	3.061	0.313	CRW1 R	19380
	3.062	0.500	CRW1 S	19438
	3.125	0.500	CRW1 R	19400
	3.189	0.313	CRW1 R	19407
	3.251	0.313	CRWA1 V	19433
	3.251	0.313	CRW1 R	19434
	3.350	0.469	CRWHA1 R	19445
	3.543	0.313	CRW1 R	19449

¹⁾ Without SKF Bore Tite Coating

Radial shaft seals – CRW1, CRWA1, CRWH1 and CRWA1 – inch dimensions

d_1 1.969 – 2.125 in.



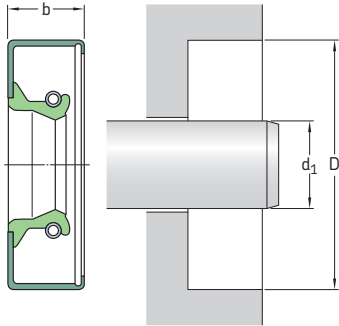
Please see pages 74 to 76 for housing bore requirements.

Dimensions Shaft	Bore	Nominal seal width b	Design and lip material	Designation
d_1	D	b		
in.			–	–
1.969	2.623	0.313	CRWA1 R	19607
2.000	2.500	0.438	CRW1 S	19739
	2.502	0.313	CRW1 P	19745
	2.623	0.313	CRW1 R	19760
	2.623	0.313	CRWA1 R	19762
	2.623	0.313	CRWA1 V	19777
	2.623	0.313	CRWA1 V	19782
	2.686	0.375	CRW1 R	19778
	2.716	0.375	CRW1 R	19785
	2.716	0.375	CRWA1 R	19786
	2.746	0.375	CRW1 S	19807
	2.750	0.313	CRW1 V	19823
	2.750	0.313	CRW1 R	19831
	2.750	0.313	CRWA1 R	19832
	2.750	0.313	CRWA1 V	19839
	2.750	0.313	CRW1 V	19840
	2.835	0.469	CRWH1 R	19848
	2.875	0.313	CRW1 V	19884
	2.875	0.313	CRW1 R	19886
	2.875	0.313	CRWA1 R	19887
	2.875	0.375	CRWA1 R	19896
	2.875	0.500	CRWH1 R	19900
	2.880	0.375	CRWA1 R	19922
	2.880	0.375	CRWA1 P	19923
	2.997	0.375	CRWH1 R	19969
	2.997	0.375	CRWA1 R	19970
	2.997	0.375	CRWH1 V	19979
	3.000	0.313	CRW1 R	19992
	3.000	0.313	CRWA1 R	19993
	3.000	0.313	CRWA1 V	19995

Dimensions Shaft	Bore	Nominal seal width b	Design and lip material	Designation
d ₁	D			
in.			–	–
2.000	3.000	0.375	CRWH1 V	20002
cont.	3.000	0.375	CRWH1 R	20004
	3.000	0.375	CRWHA1 R	20005
	3.061	0.375	CRW1 R	20045
	3.061	0.500	CRWH1 R	20055
	3.061	0.500	CRWHA1 R	20059
	3.125	0.375	CRW1 R	20070
	3.150	0.375	CRW1 R	20079
	3.189	0.469	CRWH1 R	20098
	3.189	0.469	CRWHA1 R	20100
	3.251	0.438	CRWH1 R	20109
	3.371	0.438	CRW1 V	20122
	3.371	0.438	CRWH1 R	20124
	3.371	0.438	CRWHA1 R	20125
	3.371	0.438	CRWH1 V	20127¹⁾
	3.543	0.438	CRWH1 R	20140
	3.623	0.438	CRWH1 R	20144
	4.003	0.438	CRWH1 R	20158
2.047	2.561	0.315	CRW1 R	20420
2.063	2.561	0.313	CRW1 V	20520
	2.750	0.313	CRWH1 R	20530¹⁾
	2.842	0.438	CRWH1 R	20538
	2.875	0.438	CRWH1 R	20554
	2.997	0.438	CRWH1 R	20586
	3.000	0.375	CRW1 R	20594
	3.000	0.375	CRWA1 V	20596
	3.061	0.313	CRWH1 R	20643
	3.125	0.375	CRW1 R	20659
	3.189	0.375	CRW1 R	20702
	3.251	0.438	CRWHA1 R	20747
	3.251	0.438	CRWH1 R	20749
2.125	2.750	0.375	CRW1 V	21063¹⁾
	2.750	0.500	CRWA1 R	21061
	2.763	0.250	CRW1 R	21069
	2.875	0.375	CRW1 S	21103
	2.875	0.438	CRW1 V	21091
	2.875	0.438	CRW1 R	21098
	2.875	0.438	CRWA1 R	21100
	2.875	0.438	CRWHA1 R	21108
	2.997	0.438	CRWH1 R	21134
	2.997	0.438	CRWHA1 R	21136
	3.000	0.313	CRWHA1 V	21167
	3.000	0.375	CRW1 R	21163
	3.000	0.375	CRWA1 R	21164
	3.000	0.438	CRWH1 V	21171
	3.000	0.438	CRWH1 R	21172
	3.000	0.438	CRWHA1 R	21173

¹⁾ Without SKF Bore Tite Coating

Radial shaft seals – CRW1, CRWA1, CRWH1 and CRWA1 – inch dimensions
 d_1 2.125 – 2.328 in.



Please see **pages 74 to 76** for housing bore requirements.

Dimensions Shaft	Bore	Nominal seal width b	Design and lip material	Designation
d_1	D			
in.			–	–
2.125	3.061	0.438	CRWH1 V	21215
cont.	3.061	0.500	CRW1 R	21210
	3.061	0.500	CRWA1 R	21211¹⁾
	3.061	0.500	CRWA1 R	21213
	3.125	0.438	CRWH1 R	21234
	3.125	0.438	CRWA1 P	21245
	3.189	0.375	CRWA1 R	21267
	3.189	0.375	CRWA1 V	21269
	3.189	0.469	CRWA1 S	21270
	3.251	0.438	CRWH1 R	21302
	3.350	0.438	CRWH1 R	21336
	3.371	0.375	CRWA1 R	21352
	3.371	0.438	CRWH1 R	21353
	3.543	0.438	CRWH1 R	21358
2.188	2.875	0.438	CRWH1 R	21736
	2.997	0.438	CRWH1 R	21749
	3.000	0.375	CRWA1 R	21759
	3.000	0.375	CRWA1 V	21763
	3.000	0.500	CRWH1 R	21764
	3.061	0.500	CRWH1 R	21787
	3.251	0.438	CRWH1 R	21840
	3.350	0.438	CRWH1 R	21890
	3.371	0.438	CRWH1 R	21910
2.250	2.875	0.313	CRWA1 R	22328
	2.891	0.563	CRWA1 R	22347
	2.997	0.438	CRWH1 R	22336
	2.997	0.438	CRWA1 R	22340
	3.000	0.375	CRW1 R	22353
	3.000	0.375	CRWA1 R	22354
	3.000	0.375	CRWA1 V	22361
	3.000	0.375	CRW1 V	22363

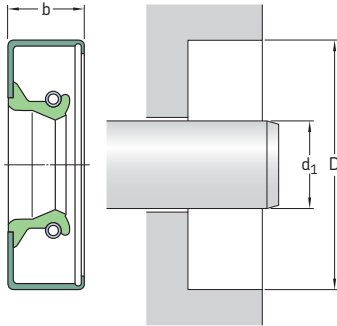
¹⁾ Without SKF Bore Tite Coating

Dimensions Shaft	Bore	Nominal seal width b	Design and lip material	Designation
d ₁	D			
in.			–	–
2.250	3.000	0.438	CRWH1 R	22358
cont.	3.000	0.438	CRWHA1 R	22359
	3.000	0.438	CRWH1 V	22367
	3.061	0.375	CRW1 R	22382
	3.061	0.438	CRWH1 R	22390
	3.061	0.438	CRWHA1 R	22391
	3.061	0.438	CRWHA1 S	22394
	3.125	0.375	CRWA1 R	22400
	3.125	0.375	CRWA1 V	22405
	3.125	0.500	CRWH1 R	22407¹⁾
	3.189	0.438	CRW1 R	22424
	3.189	0.438	CRWA1 P	22425
	3.251	0.375	CRW1 R	22440
	3.251	0.375	CRWA1 R	22441
	3.251	0.438	CRWH1 R	22446
	3.251	0.438	CRWHA1 R	22448
	3.251	0.438	CRWH1 V	22449
	3.350	0.375	CRW1 P	22484
	3.350	0.438	CRWH1 R	22492¹⁾
	3.350	0.438	CRWHA1 R	22493
	3.350	0.438	CRWH1 V	22495
	3.371	0.438	CRWHA1 R	22532
	3.371	0.438	CRWH1 R	22558
	3.371	0.438	CRWH1 V	22561
	3.500	0.438	CRWHA1 R	22582
	3.500	0.438	CRWH1 R	22583
	3.500	0.438	CRWHA1 V	22590
	3.565	0.438	CRWA1 R	22610
	3.623	0.438	CRWH1 R	22618
	3.623	0.438	CRWHA1 R	22619
	3.751	0.438	CRWH1 R	22626
	3.876	0.438	CRWH1 R	22644
	4.003	0.438	CRWH1 R	22647
2.313	2.997	0.375	CRW1 R	23030
	3.000	0.438	CRWH1 V	23040
	3.061	0.313	CRW1 R	23046
	3.125	0.375	CRW1 R	23061
	3.125	0.375	CRWA1 V	23063
	3.251	0.438	CRWH1 R	23093
	3.251	0.438	CRWHA1 V	23099¹⁾
	3.350	0.438	CRWH1 R	23152
	3.371	0.438	CRW1 R	23167
	3.374	0.438	CRWHA1 R	23169
	3.500	0.313	CRW1 R	23184¹⁾
	3.751	0.500	CRW1 R	23277
2.328	3.000	0.395	CRW1 P	23300

¹⁾ Without SKF Bore Tite Coating

Radial shaft seals – CRW1, CRWA1, CRWH1 and CRWA1 – inch dimensions

d_1 2.375 – 2.500 in.



Please see **pages 74 to 76** for housing bore requirements.

Dimensions		Nominal seal width b	Design and lip material	Designation
Shaft	Bore			
d_1	D			
in.			–	–
2.375	2.997	0.438	CRWH1 R	23632
	3.000	0.375	CRW1 V	23641
	3.061	0.438	CRWH1 R	23644
	3.061	0.438	CRWH1 P	23645
	3.061	0.438	CRWH1 V	23655
	3.125	0.375	CRW1 R	23646
	3.125	0.438	CRWH1 R	23652
	3.125	0.438	CRWA1 R	23654
	3.125	0.438	CRWA1 V	23656
	3.189	0.438	CRWH1 R	23666
	3.251	0.438	CRWA1 V	23678
	3.251	0.453	CRW1 P	23685
	3.350	0.375	CRW1 R	23701
	3.350	0.375	CRWA1 R	23702
	3.350	0.375	CRW1 P	23703
	3.350	0.375	CRW1 S	23706
	3.350	0.438	CRWH1 R	23708
	3.350	0.438	CRWA1 R	23710
	3.371	0.438	CRWH1 R	23742
	3.371	0.438	CRWH1 V	23746
	3.481	0.438	CRWH1 R	23755
	3.481	0.438	CRWA1 R	23756 ¹⁾
	3.500	0.375	CRWA1 P	23770
	3.500	0.375	CRWH1 V	23771
	3.500	0.375	CRWH1 R	23779
	3.500	0.438	CRWA1 R	23782
	3.543	0.438	CRWH1 R	23808
	3.543	0.438	CRWA1 V	23809
	3.601	0.438	CRW1 R	23820
	3.623	0.438	CRWH1 R	23839

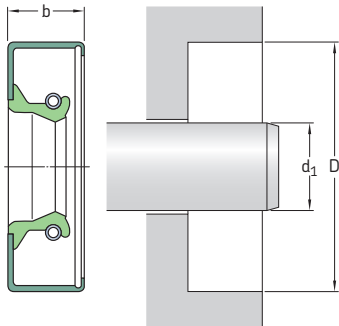
¹⁾ Without SKF Bore Tite Coating

Dimensions Shaft	Bore	Nominal seal width b	Design and lip material	Designation	
d ₁	D				
in.			–	–	
2.375 cont.	3.623	0.438	CRWHA1 P	23841	
	3.623	0.438	CRWHA1 V	23843	
	3.876	0.438	CRWH1 R	23844	
2.438	3.125	0.500	CRWH1 R	24255	
	3.251	0.438	CRWH1 R	24263	
	3.350	0.375	CRW1 R	24286	
	3.350	0.375	CRWA1 R	24287	
	3.371	0.438	CRWH1 R	24320	
	3.481	0.438	CRWH1 R	24340	
	3.500	0.438	CRWH1 R	24370	
	3.500	0.438	CRWH1 V	24372	
	3.543	0.438	CRWH1 R	24445	
	2.500	3.189	0.438	CRWH1 R	24881
		3.189	0.438	CRWH1 V	24883
		3.245	0.438	CRWH1 R	24889
		3.251	0.375	CRW1 R	24897
		3.251	0.375	CRWA1 R	24898
		3.251	0.375	CRWA1 V	24899
3.251		0.438	CRWH1 R	24910	
3.251		0.438	CRWHA1 R	24911	
3.251		0.438	CRWH1 V	24914	
3.251		0.438	CRWHA1 V	24916	
3.251		0.500	CRW1 V	24913	
3.350		0.438	CRWH1 R	24931	
3.350		0.438	CRWHA1 R	24932	
3.371		0.375	CRWHA1 R	24934¹⁾	
3.371		0.438	CRWHA1 V	24936	
3.371		0.438	CRWH1 R	24954	
3.428		0.375	CRWA1 P	24949	
3.428		0.375	CRWA1 R	24951	
3.500		0.375	CRWA1 V	24971	
3.500		0.438	CRW1 R	24980	
3.500		0.438	CRWA1 R	24982	
3.500		0.438	CRWH1 V	24984	
3.500		0.438	CRWH1 R	24986	
3.500		0.438	CRWHA1 R	24988	
3.500		0.438	CRWH1 P	24989	
3.500		0.438	CRWHA1 V	24990	
3.502		0.406	CRW1 S	25082	
3.543	0.438	CRWH1 R	25043		
3.543	0.438	CRWHA1 P	25065¹⁾		
3.544	0.433	CRWA1 V	25037		
3.623	0.375	CRW1 R	25074		
3.623	0.375	CRWA1 R	25075		
3.623	0.375	CRWA1 V	25076		
3.623	0.438	CRWH1 R	25071¹⁾		
3.751	0.438	CRWH1 R	25091¹⁾		
3.876	0.438	CRWH1 R	25100		
3.876	0.469	CRWHA1 P	25102		
4.003	0.375	CRWA1 R	25108		
4.003	0.375	CRWA1 V	25110		

¹⁾ Without SKF Bore Tite Coating

Radial shaft seals – CRW1, CRWA1, CRWH1 and CRWHA1 – inch dimensions

d_1 2.563 – 2.750 in.



Please see **pages 74 to 76** for housing bore requirements.

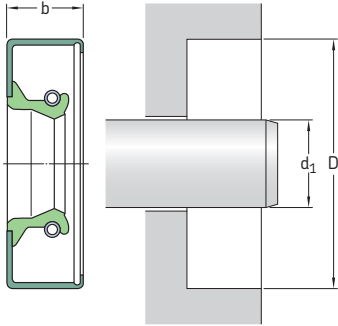
Dimensions Shaft	Bore	Nominal seal width b	Design and lip material	Designation
d_1	D			
in.			–	–
2.563	3.481 3.500	0.500 0.438	CRWHA1 R CRWH1 R	25561 25597
	3.623 3.623	0.438 0.469	CRWH1 R CRWA1 P	25641 25661
	3.751 3.751 3.751	0.438 0.438 0.438	CRWH1 R CRWHA1 R CRWH1 V	25713 25714 25725
	3.873 3.876	0.438 0.438	CRWHA1 R CRWH1 R	25745¹⁾ 25748
2.598	3.481	0.438	CRWHA1 P	25970
2.607	3.350	0.375	CRWH1 P	25950
2.625	3.251 3.350 3.350 3.350 3.350	0.438 0.375 0.375 0.375 0.438	CRWH1 R CRW1 V CRW1 R CRWA1 R CRW1 R	26110 26122 26123 26124 26128¹⁾
	3.371 3.374 3.481	0.438 0.438 0.438	CRWHA1 R CRWHA1 R CRWH1 R	26153 26141 26163
	3.500 3.500 3.500 3.500	0.375 0.375 0.438 0.438	CRW1 V CRWA1 R CRWH1 R CRWHA1 R	26177 26186 26189 26190
	3.500 3.543	0.438 0.438	CRWA1 P CRWH1 R	26191 26194
	3.623 3.623 3.623	0.375 0.375 0.375	CRW1 V CRWA1 P CRW1 R	26204 26220 26237

¹⁾ Without SKF Bore Tite Coating

Dimensions Shaft	Bore	Nominal seal width b	Design and lip material	Designation
d ₁	D			
in.			–	–
2.625 cont.	3.623	0.375	CRWA1 R	26238
	3.623	0.438	CRWH1 V	26208
	3.623	0.438	CRWH1 R	26209
	3.623	0.438	CRWHA1 R	26211
	3.751	0.375	CRWA1 R	26284
	3.751	0.438	CRWH1 R	26297
	3.751	0.438	CRWHA1 R	26298
	3.751	0.438	CRWHA1 V	26299
	3.876	0.438	CRWH1 R	26328
	3.936	0.438	CRWH1 R	26346
	4.003	0.375	CRWA1 R	26354
	4.003	0.438	CRWH1 R	26356
	4.370	0.438	CRWHA1 R	26359
	4.438	0.438	CRWH1 R	26368
2.688	3.751	0.438	CRWH1 R	26761
	3.876	0.438	CRWH1 R	26921
	4.003	0.469	CRWH1 R	26975
2.750	3.481	0.438	CRW1 R	27251¹⁾
	3.500	0.375	CRW1 R	27268
	3.500	0.375	CRWA1 R	27269
	3.500	0.375	CRWA1 V	27272
	3.500	0.438	CRWH1 R	27280
	3.538	0.438	CRWH1 R	27284
	3.543	0.438	CRWH1 P	27292
	3.543	0.438	CRWH1 V	27293
	3.543	0.438	CRWHA1 P	27295
	3.623	0.438	CRWH1 V	27324
	3.623	0.438	CRWH1 R	27334
	3.751	0.438	CRW1 R	27361
	3.751	0.438	CRWA1 R	27362
	3.751	0.438	CRWH1 V	27365
	3.751	0.438	CRWH1 R	27368
	3.751	0.438	CRWHA1 R	27370
	3.751	0.438	CRWA1 P	27377
	3.765	0.438	CRWH1 R	27426
	3.876	0.433	CRWHA1 P	27452
	3.876	0.438	CRWA1 R	27467
	3.876	0.438	CRWH1 R	27470
	3.876	0.438	CRWHA1 R	27471
	3.936	0.438	CRWH1 R	27525
	3.937	0.438	CRWA1 P	27526
	4.003	0.375	CRWA1 V	27539
	4.003	0.438	CRWH1 R	27541
	4.003	0.438	CRWHA1 P	27565¹⁾
	4.249	0.438	CRWH1 R	27600
	4.249	0.438	CRWHA1 P	27601
	4.331	0.500	CRWHA1 R	27625
	4.500	0.469	CRWH1 R	28848

¹⁾ Without SKF Bore Tite Coating

Radial shaft seals – CRW1, CRWA1, CRWH1 and CRWA1 – inch dimensions
 d_1 2.813 – 3.125 in.



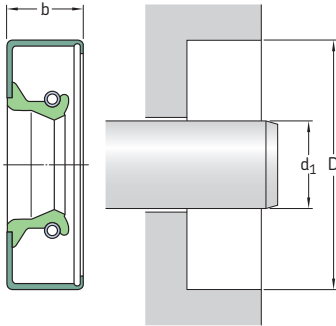
Please see **pages 74 to 76** for housing bore requirements.

Dimensions Shaft	Bore	Nominal seal width b	Design and lip material	Designation
d_1	D			
in.			–	–
2.813	3.751	0.438	CRWH1 R	28035
	3.876	0.438	CRWH1 R	28116
	4.003	0.438	CRWH1 R	28175
	4.249	0.313	CRW1 R	28270
	4.249	0.438	CRWH1 R	28275
	4.250	0.438	CRWH1 P	28276
2.844	3.939	0.500	CRWA1 R	28425
	3.939	0.550	CRWA1 R	28426
	4.003	0.438	CRWH1 R	28464
	4.003	0.500	CRWH1 V	28474
2.875	3.623	0.438	CRWH1 R	28654
	3.623	0.438	CRWA1 R	28655
	3.751	0.375	CRWA1 R	28669
	3.751	0.375	CRWA1 V	28670
	3.751	0.438	CRWH1 R	28686
	3.751	0.438	CRWA1 R	28687
	3.751	0.438	CRWH1 P	28697
	3.751	0.438	CRWH1 V	28698
	3.751	0.438	CRWA1 V	28699
	3.876	0.438	CRWH1 R	28745
	3.876	0.438	CRWA1 R	28746
	3.876	0.438	CRWA1 V	28748
	4.003	0.375	CRWA1 R	28778
	4.003	0.375	CRWA1 V	28779
	4.003	0.438	CRWH1 R	28760
4.003	0.438	CRWA1 R	28761	
4.125	0.375	CRWH1 R	28817	
4.331	0.438	CRWA1 P	28841	

Dimensions Shaft	Bore	Nominal seal width b	Design and lip material	Designation	
d ₁	D				
in.			–	–	
2.938	3.623	0.375	CRW1 R	29218	
	3.751	0.375	CRW1 R	29223	
	3.751	0.375	CRWA1 R	29224	
	3.751	0.375	CRWA1 V	29226	
	3.876	0.375	CRWHA1 R	29263¹⁾	
	3.876	0.375	CRWHA1 V	29262	
	3.937	0.438	CRWA1 P	29273	
	4.003	0.438	CRWH1 R	29316	
	4.003	0.438	CRWHA1 R	29393¹⁾	
	4.003	0.438	CRWA1 P	29350	
	4.004	0.433	CRWHA1 V	29383	
	4.125	0.375	CRWH1 R	29184	
	4.125	0.375	CRWHA1 R	29385	
	4.501	0.438	CRWH1 R	29465	
	3.000	3.500	0.375	CRW1 V	29841
		3.751	0.375	CRW1 R	29865¹⁾
		3.751	0.375	CRWA1 R	29866
		3.751	0.375	CRWA1 P	29867
		3.751	0.375	CRW1 V	29868
		3.751	0.375	CRWA1 V	29870
3.751		0.438	CRWH1 R	29871	
3.751		0.438	CRWHA1 R	29872	
3.876		0.313	CRW1 V	29877	
3.876		0.438	CRWH1 R	29887	
3.876		0.469	CRWH1 V	29891	
4.003		0.375	CRW1 R	29906	
4.003		0.375	CRWA1 R	29907	
4.003		0.375	CRWA1 V	29912	
4.003		0.375	CRWH1 P	29950	
4.003		0.438	CRWHA1 P	29925¹⁾	
4.003		0.438	CRWH1 R	29951¹⁾	
4.003		0.438	CRWHA1 R	29952	
4.003		0.438	CRWH1 V	29958	
4.125		0.438	CRWH1 R	30000	
4.125	0.438	CRWH1 V	30003		
4.249	0.438	CRWH1 R	30033¹⁾		
4.249	0.438	CRWHA1 P	30056		
4.331	0.438	CRWH1 R	30060		
4.376	0.438	CRWH1 R	30070		
4.500	0.438	CRWH1 R	30087		
4.500	0.438	CRWHA1 R	30095		
4.501	0.438	CRWH1 V	30098		
4.999	0.438	CRWH1 R	30125		
3.125	3.811	0.355	CRW1 V	31132	
	3.811	0.355	CRW1 R	31135	
	4.003	0.375	CRWA1 R	31139	
	4.003	0.375	CRWHA1 V	31152	
	4.003	0.438	CRWH1 R	31147	
	4.003	0.438	CRWHA1 R	31148	

¹⁾ Without SKF Bore Tite Coating

Radial shaft seals – CRW1, CRWA1, CRWH1 and CRWA1 – inch dimensions
 d_1 3.125 – 3.500 in.



Please see **pages 74 to 76** for housing bore requirements.

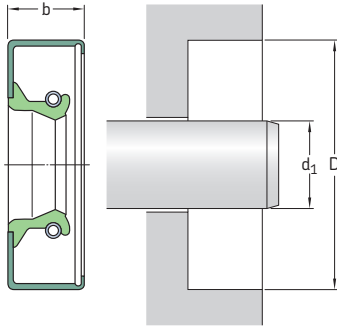
Dimensions Shaft	Bore D	Nominal seal width b	Design and lip material	Designation
d_1	D	b		
in.			–	–
3.125	4.125	0.375	CRW1 R	31177
cont.	4.125	0.375	CRWA1 V	31179
	4.125	0.438	CRWA1 P	31173
	4.125	0.438	CRWA1 S	31185
	4.125	0.438	CRWH1 R	31189¹⁾
	4.249	0.438	CRWH1 R	31227
	4.249	0.438	CRWA1 R	31228
	4.249	0.438	CRWA1 V	31237
	4.376	0.438	CRWH1 R	31250
	4.376	0.438	CRWA1 P	31261
	4.501	0.438	CRWH1 R	31269
	4.626	0.438	CRWH1 R	31299
	4.751	0.438	CRWH1 R	31327
	4.999	0.438	CRWH1 R	31333
	5.251	0.438	CRWH1 R	31353
3.150	3.946	0.394	CRW1 V	31511
3.188	4.249	0.438	CRWH1 R	31758
	4.376	0.438	CRWH1 R	31825
	4.501	0.438	CRWH1 R	31855
	4.626	0.438	CRWH1 R	31870
	4.999	0.438	CRWH1 R	31955
3.250	3.876	0.375	CRW1 P	32330
	4.003	0.375	CRW1 R	32344
	4.003	0.375	CRWA1 P	32347
	4.249	0.375	CRWA1 V	32392
	4.249	0.375	CRW1 R	32393
	4.249	0.375	CRWA1 R	32395
	4.249	0.438	CRWH1 P	32380¹⁾
	4.249	0.438	CRWA1 P	32385
	4.249	0.438	CRWH1 R	32396
	4.249	0.438	CRWA1 R	32397
	4.249	0.438	CRWH1 V	32403

¹⁾ Without SKF Bore Tite Coating

Dimensions Shaft	Bore	Nominal seal width b	Design and lip material	Designation
d ₁	D			
in.			–	–
3.250	4.376	0.438	CRWH1 R	32424
	cont. 4.500	0.438	CRWA1 P	32448
	4.501	0.375	CRW1 R	32477
	4.501	0.438	CRWH1 R	32501
	4.501	0.438	CRWHA1 R	32502
	4.626	0.433	CRWHA1 R	32514¹⁾
	4.626	0.438	CRWH1 R	32540
	4.718	0.438	CRWH1 R	32555
	4.751	0.438	CRWH1 R	32560
	4.999	0.438	CRWH1 R	32582
	4.999	0.438	CRWHA1 R	32583
3.313	4.125	0.438	CRWH1 R	33033
	4.249	0.438	CRWH1 R	33073
	4.500	0.438	CRWH1 R	33136
	4.999	0.438	CRWH1 R	33306
3.375	4.125	0.375	CRW1 R	33645
	4.125	0.375	CRWA1 V	34647
	4.249	0.438	CRWHA1 R	33665
	4.280	0.406	CRWA1 S	33654
	4.376	0.375	CRWA1 V	33699
	4.376	0.375	CRW1 R	33700
	4.376	0.375	CRWA1 R	33701
	4.376	0.438	CRWH1 R	33711
	4.376	0.438	CRWHA1 R	33712
	4.501	0.438	CRWA1 V	33733
	4.501	0.438	CRWH1 R	33735
	4.626	0.438	CRWH1 R	33772
	4.626	0.438	CRWHA1 R	33773
	4.626	0.438	CRWHA1 V	33775
	4.686	0.438	CRWH1 R	33807¹⁾
	4.999	0.438	CRWH1 R	33837¹⁾
	5.251	0.438	CRWHA1 R	33866
3.438	4.249	0.375	CRW1 R	34256
	4.501	0.375	CRWA1 R	34279
	4.501	0.438	CRWH1 R	34282
	4.501	0.438	CRWHA1 R	34283
	4.626	0.438	CRWH1 R	34336
	4.626	0.438	CRWHA1 R	34338
	4.751	0.438	CRWA1 R	34379
	4.756	0.438	CRWH1 R	34383
	4.876	0.438	CRWH1 R	34398
	4.999	0.438	CRWH1 R	34407
	4.999	0.438	CRWHA1 R	34408
3.500	4.249	0.438	CRWHA1 V	34857
	4.376	0.375	CRW1 R	34860
	4.376	0.375	CRWA1 R	34861
	4.376	0.375	CRWA1 V	34866
	4.376	0.433	CRWHA1 V	34869
	4.376	0.438	CRWH1 R	34867
	4.376	0.438	CRWHA1 R	34868

¹⁾ Without SKF Bore Tite Coating

Radial shaft seals – CRW1, CRWA1, CRWH1 and CRWA1 – inch dimensions
 d_1 3.500 – 3.875 in.



Please see **pages 74 to 76** for housing bore requirements.

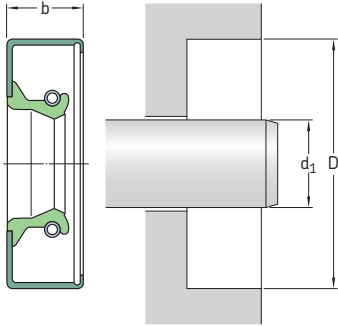
Dimensions Shaft	Bore	Nominal seal width	Design and lip material	Designation
d_1	D	b		
in.			–	–
3.500	4.501	0.375	CRWA1 V	34883
cont.	4.501	0.375	CRW1 R	34886
	4.501	0.375	CRWA1 R	34887
	4.501	0.438	CRWH1 R	34888
	4.501	0.438	CRWA1 V	34889
	4.501	0.438	CRWHA1 P	34891¹⁾
	4.501	0.438	CRWH1 V	34892
	4.626	0.438	CRWH1 R	34985
	4.751	0.375	CRWA1 V	35039
	4.751	0.375	CRWA1 P	35040
	4.751	0.438	CRWH1 R	35012
	4.751	0.438	CRWHA1 R	35020
	4.751	0.625	CRWH1 R	35029
	4.999	0.438	CRWA1 V	35080
	4.999	0.438	CRWH1 R	35082
	4.999	0.438	CRWHA1 P	35083
	5.126	0.438	CRWH1 R	35086
	5.126	0.438	CRWHA1 R	35095
	5.251	0.438	CRWH1 R	35096
3.563	4.501	0.438	CRWH1 R	35556
	4.626	0.438	CRWH1 R	35593
	4.751	0.438	CRWH1 R	35649
	4.876	0.438	CRWH1 R	35676
	4.999	0.438	CRWH1 R	35716
3.625	4.376	0.375	CRWA1 V	36153
	4.376	0.375	CRWA1 R	36155
	4.376	0.375	CRWH1 R	36157
	4.376	0.375	CRWH1 P	36158
	4.501	0.375	CRW1 R	36166

¹⁾ Without SKF Bore Tite Coating

Dimensions Shaft	Bore	Nominal seal width b	Design and lip material	Designation
d ₁	D			
in.			–	–
3.625	4.626	0.375	CRW1 R	36177
cont.	4.626	0.375	CRWA1 V	36179
	4.626	0.438	CRWH1 R	36185
	4.626	0.438	CRWHA1 R	36186
	4.751	0.438	CRWH1 R	36220
	4.751	0.500	CRWA1 S	36234
	4.876	0.438	CRWH1 R	36314
	4.999	0.375	CRWA1 V	36359
	4.999	0.375	CRWA1 R	36361
	4.999	0.438	CRWH1 R	36363
	4.999	0.438	CRWHA1 R	36364
	5.251	0.375	CRWA1 R	36382
	5.375	0.438	CRWHA1 R	36391
3.688	4.501	0.438	CRWHA1 R	36740
	4.751	0.438	CRWH1 R	36770
	4.999	0.438	CRWH1 R	36880
	5.126	0.438	CRWA1 R	36895
	5.626	0.438	CRWA1 R	36910
3.750	4.501	0.375	CRW1 R	37327¹⁾
	4.501	0.375	CRW1 V	37328
	4.501	0.469	CRWHA1 P	37330
	4.502	0.469	CRWHA1 V	37332
	4.750	0.438	CRWHA1 P	37403
	4.751	0.375	CRW1 P	37387
	4.751	0.375	CRW1 R	37388
	4.751	0.375	CRWA1 R	37389
	4.751	0.438	CRWA1 P	37390
	4.751	0.438	CRWHA1 S	37395
	4.751	0.438	CRWH1 R	37396
	4.751	0.438	CRWH1 V	37405
	4.876	0.438	CRWH1 R	37433
	4.999	0.375	CRW1 V	37524
	4.999	0.375	CRW1 R	37525
	4.999	0.375	CRWA1 R	37526
	4.999	0.438	CRWH1 R	37532
	4.999	0.438	CRWHA1 R	37533
	5.251	0.438	CRWH1 R	37574
	5.251	0.438	CRWH1 V	37577
3.875	4.751	0.375	CRW1 R	38646
	4.751	0.375	CRWA1 R	38647
	4.751	0.375	CRWA1 V	38649
	4.751	0.438	CRWH1 R	38653
	4.876	0.438	CRWHA1 R	38673
	4.876	0.500	CRWH1 R	38669
	4.876	0.500	CRWHA1 V	38678
	4.999	0.375	CRW1 R	38691
	4.999	0.375	CRWA1 R	38692
	4.999	0.375	CRWA1 V	38694
	5.126	0.438	CRWHA1 V	38702
	5.126	0.438	CRWH1 R	38703
	5.126	0.438	CRWHA1 R	38713

¹⁾ Without SKF Bore Tite Coating

Radial shaft seals – CRW1, CRWA1, CRWH1 and CRWA1 – inch dimensions
 d_1 3.875 – 4.477 in.



Please see **pages 74 to 76** for housing bore requirements.

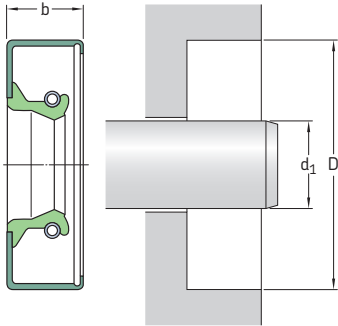
Dimensions Shaft	Bore	Nominal seal width b	Design and lip material	Designation
d_1	D			
in.			–	–
3.875	5.251	0.438	CRWH1 R	38730
cont.	5.251	0.438	CRWA1 R	38731
	5.251	0.438	CRWA1 P	38739
	5.376	0.438	CRWH1 R	38745
	5.626	0.433	CRWA1 R	38758
	5.690	0.500	CRWH1 R	38774
3.938	4.876	0.438	CRWH1 R	39245
	4.999	0.438	CRWH1 R	39275
	4.999	0.438	CRWH1 V	39276
	4.999	0.438	CRWH1 R	39277
	5.126	0.472	CRWA1 V	39304
	5.251	0.438	CRWH1 R	39320
	5.375	0.438	CRWH1 R	39350
	5.501	0.438	CRWH1 R	39423
4.000	4.876	0.438	CRW1 R	39851
	4.999	0.375	CRW1 P	39895
	4.999	0.375	CRWA1 V	39921
	4.999	0.375	CRW1 R	39922
	4.999	0.375	CRWA1 R	39923
	4.999	0.438	CRWA1 P	39930
	4.999	0.438	CRWH1 V	39932
	4.999	0.438	CRWH1 R	39933
	4.999	0.438	CRWA1 R	39934
	4.999	0.438	CRWH1 S	39935
	5.126	0.438	CRWH1 R	39975
	5.251	0.438	CRWH1 V	39996
	5.251	0.438	CRWH1 R	39997
	5.251	0.438	CRWA1 R	40000
	5.310	0.500	CRWA1 R	40020
	5.376	0.438	CRWH1 R	40036
	5.501	0.438	CRWH1 R	40049

Dimensions Shaft	Bore	Nominal seal width b	Design and lip material	Designation
d ₁	D			
in.			–	–
4.000	5.626	0.375	CRWA1 R	40077
cont.	5.626	0.438	CRWH1 R	40078
	5.751	0.438	CRWH1 R	40108
	6.001	0.500	CRWH1 R	40138
	6.250	0.500	CRWH1 R	40158
4.125	4.999	0.438	CRWH1 R	41125
	4.999	0.438	CRWH1 V	41126¹⁾
	5.126	0.438	CRWH1 R	41170
	5.126	0.438	CRWH1 V	41171
	5.251	0.438	CRWH1 R	41185
	5.251	0.438	CRWH1 V	41186
	5.501	0.438	CRWH1 R	41265
	5.501	0.438	CRWH1 V	41266
	5.751	0.438	CRWH1 R	41287
	6.001	0.438	CRWH1 R	41305
	6.001	0.438	CRWH1 V	41307
4.250	5.251	0.375	CRWA1 R	42419
	5.251	0.375	CRW1 S	42422
	5.251	0.438	CRWH1 R	42426
	5.251	0.438	CRWHA1 R	42427
	5.251	0.438	CRWH1 V	42433
	5.373	0.438	CRWA1 V	42474
	5.376	0.438	CRWH1 R	42475
	5.501	0.438	CRWH1 R	42528
	5.626	0.438	CRWA1 R	42557
	5.751	0.438	CRWH1 R	42573
	5.876	0.500	CRWH1 V	42592
	6.001	0.500	CRWH1 R	42616
	6.126	0.500	CRWH1 R	42635
	6.250	0.500	CRWH1 R	42644
4.313	5.501	0.433	CRWHA1 P	43072
	5.501	0.438	CRWHA1 R	43073
4.331	5.626	0.472	CRWHA1 V	43345
4.375	5.376	0.438	CRWH1 R	43650
	5.501	0.438	CRWH1 R	43691
	5.751	0.438	CRWH1 R	43751
	6.001	0.500	CRWH1 R	43771
	6.063	0.500	CRWH1 R	541974¹⁾
	6.250	0.500	CRWH1 R	43820
4.438	5.501	0.500	CRWH1 R	44275
	5.501	0.500	CRWH1 V	44276
	5.751	0.500	CRWH1 R	44295
	6.001	0.500	CRWH1 R	44320
	6.250	0.500	CRWH1 R	44350
4.477	6.250	0.500	CRWH1 R	44630

¹⁾ Without SKF Bore Tite Coating

Radial shaft seals – CRW1, CRWA1, CRWH1 and CRWA1 – inch dimensions

d_1 4.500 – 5.125 in.



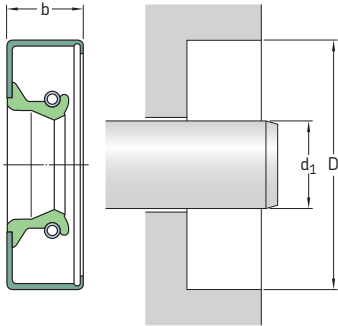
Please see **pages 74 to 76** for housing bore requirements.

Dimensions Shaft	Bore	Nominal seal width	Design and lip material	Designation
d_1	D	b		
in.			–	–
4.500	5.251	0.438	CRWH1 R	44913
	5.251	0.438	CRWA1 V	44917
	5.376	0.438	CRWH1 R	44920
	5.376	0.438	CRWA1 V	44926
	5.501	0.375	CRW1 R	44959
	5.501	0.375	CRWA1 R	44960
	5.501	0.435	CRWH1 V	44980
	5.501	0.438	CRWH1 R	44967
	5.501	0.438	CRWA1 R	44968
	5.501	0.438	CRWH1 V	44973
	5.626	0.438	CRWH1 R	45032
	5.626	0.438	CRWA1 V	45033
	5.751	0.375	CRWA1 V	45064
	5.751	0.438	CRWH1 R	45069
	5.751	0.438	CRWA1 R	45070
	6.001	0.500	CRWH1 R	45110
	6.001	0.500	CRWA1 R	45111
	6.001	0.500	CRWA1 V	45112
	6.126	0.563	CRWH1 R	45140
	6.250	0.500	CRWH1 R	45150
4.625	5.626	0.500	CRWH1 R	46144
	5.626	0.500	CRWH1 V	46155
	5.751	0.500	CRWH1 R	46200
	5.751	0.500	CRWH1 S	46208
	6.001	0.500	CRWH1 R	46285
	6.250	0.500	CRWH1 R	46324
4.688	5.751	0.512	CRWH1 S	46770
	5.751	0.512	CRWH1 R	46800
	6.250	0.500	CRWH1 R	46950

Dimensions Shaft	Bore	Nominal seal width b	Design and lip material	Designation
d ₁	D			
in.			–	–
4.750	5.749	0.438	CRW1 P	47375
	5.751	0.500	CRW1 V	47379
	5.751	0.500	CRWA1 V	47382
	5.751	0.500	CRW1 R	47383
	5.751	0.500	CRWH1 R	47394
	5.751	0.500	CRWHA1 R	47395
	5.875	0.500	CRWH1 R	47441
	6.001	0.500	CRWH1 R	47474
	6.001	0.500	CRWHA1 R	47475
	6.001	0.500	CRW1 V	47481
	6.250	0.500	CRWH1 R	47583
	6.250	0.500	CRWHA1 V	47586
4.813	5.751	0.563	CRWH1 P	48060
	5.751	0.563	CRWH1 V	48062
	5.751	0.563	CRWH1 S	48065
4.875	6.001	0.500	CRWH1 V	48692
	6.001	0.500	CRWH1 R	48693
	6.126	0.500	CRWH1 R	48726
	6.250	0.500	CRWHA1 R	48768
	6.250	0.500	CRWH1 R	48769
	6.250	0.500	CRWH1 V	48772
4.921	6.375	0.500	CRWHA1 V	49274
4.938	6.001	0.500	CRWH1 R	49251
	6.250	0.500	CRWH1 R	49301
5.000	6.001	0.500	CRWHA1 V	49927
	6.001	0.500	CRWH1 R	49928
	6.001	0.500	CRWHA1 R	49929
	6.126	0.500	CRW1 V	49960
	6.250	0.500	CRWH1 R	49966
	6.250	0.500	CRW1 R	49984
	6.250	0.500	CRWA1 R	49985
	6.250	0.500	CRWH1 P	49990¹⁾
	6.250	0.500	CRWH1 V	49991
	6.250	0.500	CRWHA1 R	49998
	6.375	0.500	CRWH1 R	50130
	6.375	0.500	CRWHA1 R	50138
6.500	0.500	CRWH1 R	50148	
6.500	0.500	CRWH1 V	50151	
6.750	0.500	CRWH1 R	50168	
6.750	0.500	CRWHA1 R	50172	
5.063	6.126	0.500	CRWH1 R	50618
	6.375	0.500	CRWH1 R	50650
5.125	6.126	0.500	CRWHA1 R	51240
	6.126	0.500	CRW1 V	51243
	6.126	0.500	CRW1 R	51247
	6.250	0.500	CRWHA1 R	51252
	6.250	0.500	CRWA1 V	51253
	6.375	0.500	CRWH1 R	51248¹⁾
6.375	0.500	CRWH1 V	51255	

¹⁾ Without SKF Bore Tite Coating

Radial shaft seals – CRW1, CRWA1, CRWH1 and CRWA1 – inch dimensions
 d_1 5.188 – 7.000 in.



Please see **pages 74 to 76** for housing bore requirements.

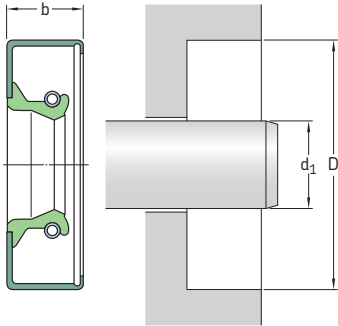
Dimensions Shaft	Bore	Nominal seal width	Design and lip material	Designation
d_1	D	b		
in.			–	–
5.188	6.501	0.625	CRWH1 V	51852
5.250	6.001	0.375	CRW1 R	52440
	6.001	0.500	CRWH1 V	52443
	6.250	0.500	CRWH1 R	52445
	6.250	0.500	CRWH1 V	52447
	6.500	0.500	CRWH1 R	52488
	6.500	0.500	CRWH1 V	52489
	6.750	0.500	CRWH1 R	52648
	6.750	0.500	CRWH1 V	52649
5.375	6.625	0.500	CRWH1 R	53701
	6.625	0.500	CRWH1 V	53702
	6.750	0.500	CRWH1 V	53771
	6.750	0.500	CRWH1 R	53775
5.500	6.250	0.500	CRWA1 R	54925
	6.500	0.500	CRWH1 R	54931
	6.500	0.500	CRWH1 V	54934
	6.500	0.500	CRWH1 P	54936
	6.750	0.500	CRW1 R	54959
	6.750	0.500	CRWA1 R	54960
	6.750	0.500	CRWA1 R	54971
	6.750	0.500	CRWA1 R	54972
	6.750	0.500	CRWH1 R	54972
	6.750	0.500	CRWH1 V	54974
5.512	6.693	0.472	CRWH1 V	546747¹⁾
5.625	6.625	0.500	CRWH1 R	56101
	6.625	0.500	CRWH1 V	56102
	6.875	0.500	CRWH1 R	56136
	6.875	0.500	CRWH1 V	56137

¹⁾ Without SKF Bore Tite Coating

Dimensions Shaft	Bore	Nominal seal width b	Design and lip material	Designation
d ₁	D			
in.			–	–
5.625 cont.	7.125 7.125	0.500 0.500	CRWHA1 R CRWHA1 V	56160 56161
5.750	6.625 6.625	0.500 0.500	CRWH1 R CRW1 V	57505 57506
	6.750 6.750 6.751	0.500 0.500 0.500	CRWH1 R CRWH1 V CRWHA1 R	57510 57522 57509¹⁾
	7.000 7.000 7.000	0.500 0.500 0.500	CRWH1 R CRWH1 V CRWHA1 R	57521 57523 57531
5.875	7.125 7.125 7.125	0.500 0.500 0.500	CRWH1 R CRWH1 V CRWHA1 R	58716 58717 58741
	7.500	0.500	CRWH1 R	58760
6.000	6.750 6.750	0.500 0.500	CRWA1 V CRW1 V	59999 60000
	7.500 7.500 7.500	0.500 0.500 0.500	CRWA1 R CRWHA1 V CRWHA1 R	60016 60026 60028
6.125	7.125 7.625 7.625	0.625 0.625 0.625	CRWH1 R CRWH1 R CRWH1 P	61210¹⁾ 61255¹⁾ 61256¹⁾
6.250	7.252 7.500 7.500	0.500 0.500 0.500	CRWH1 R CRWH1 R CRWH1 V	62482¹⁾ 62495¹⁾ 62497
	7.750 7.875	0.500 0.625	CRWH1 R CRWH1 R	62535 62572
6.375	7.375	0.625	CRWH1 R	63700
	7.875 7.875	0.563 0.625	CRWHA1 R CRWH1 R	63734 63733¹⁾
6.500	7.500 7.500 7.500	0.500 0.500 0.500	CRWA1 R CRWH1 R CRWH1 V	64993 64994¹⁾ 64998
	8.000 8.000	0.500 0.500	CRW1 R CRWHA1 R	65021 65037¹⁾
6.625	8.125	0.500	CRWH1 R	66241¹⁾
6.750	8.000 8.250	0.500 0.500	CRWH1 R CRWH1 R	67515 67533¹⁾
6.875	8.375	0.500	CRWH1 R	68745¹⁾
7.000	8.000 8.250	0.630 0.625	CRWH1 R CRWH1 R	70016 70028¹⁾
	8.500 8.500 8.500 8.500	0.500 0.625 0.625 0.625	CRWA1 R CRWH1 R CRWHA1 R CRWHA1 V	70080 70052 70053 70054

¹⁾ Without SKF Bore Tite Coating

Radial shaft seals – CRW1, CRWA1, CRWH1 and CRWA1 – inch dimensions
 d_1 7.125 – 12.250 in.



Please see **pages 74 to 76** for housing bore requirements.

Dimensions		Nominal seal width b	Design and lip material	Designation
Shaft	Bore			
d_1	D			
in.			–	–
7.125	8.625	0.625	CRWH1 R	71245¹⁾
7.250	8.250	0.625	CRW1 R	72515¹⁾
	8.750	0.625	CRWA1 R	72539
	8.750	0.750	CRWH1 P	72542¹⁾
	9.055	0.625	CRWA1 R	72570
7.375	8.875	0.625	CRWH1 R	73745¹⁾
7.500	8.500	0.625	CRWH1 R	75030¹⁾
	9.000	0.625	CRWH1 R	75050
	9.000	0.625	CRWA1 P	75052
7.625	8.625	0.563	CRWH1 R	76215¹⁾
	9.125	0.625	CRWH1 R	76255¹⁾
7.750	9.250	0.625	CRWH1 R	77540¹⁾
7.875	9.250	1.000	CRWA1 R	78725¹⁾
	9.375	0.625	CRWH1 R	78738¹⁾
8.000	9.000	0.625	CRWH1 R	79960¹⁾
	9.000	0.625	CRWA1 R	79961¹⁾
	9.250	0.625	CRWH1 R	79997¹⁾
	9.250	0.625	CRWA1 R	79998
	9.500	0.625	CRWH1 R	80010
	10.000	0.625	CRWA1 R	80038¹⁾
8.125	10.125	0.625	CRWH1 R	81245¹⁾
	10.125	0.625	CRWA1 R	81246¹⁾
8.250	9.250	0.625	CRWH1 R	82510¹⁾
	9.252	0.500	CRWH1 R	82527
	9.500	0.578	CRW1 R	541405¹⁾
	10.250	0.625	CRWH1 R	82560¹⁾

¹⁾ Without SKF Bore Tite Coating

Dimensions Shaft	Bore	Nominal seal width b	Design and lip material	Designation
d ₁	D			
in.			–	–
8.500	9.750	0.625	CRWH1 R	85002
	10.000	0.625	CRWH1 R	85009¹⁾
	10.500	0.625	CRWH1 R	85015¹⁾
	10.625	0.625	CRWHA1 R	85085¹⁾
8.625	10.625	0.625	CRWH1 R	86260¹⁾
8.750	10.750	0.625	CRWH1 R	87541¹⁾
8.875	10.125	0.625	CRWH1 R	88710¹⁾
	10.875	0.625	CRWH1 R	88760¹⁾
9.000	10.000	0.625	CRWH1 R	90006¹⁾
	11.000	0.625	CRWH1 R	90036¹⁾
9.250	11.250	0.625	CRWHA1 R	92536
	12.750	0.625	CRWHA1 R	92570¹⁾
	12.750	1.250	CRWHA1 R	92574¹⁾
9.500	10.500	0.438	CRW1 R	95048
	11.500	0.625	CRW1 R	95062
9.625	11.625	0.625	CRWH1 R	96245¹⁾
	11.125	0.625	CRWH1 R	97542¹⁾
	11.250	0.625	CRWH1 R	97545¹⁾
	11.750	0.625	CRWH1 R	97550¹⁾
10.000	11.252	0.625	CRWHA1 R	100044¹⁾
	12.000	0.625	CRWH1 R	100051¹⁾
	12.000	0.625	CRWA1 R	100075
10.250	11.250	0.563	CRWH1 R	102520¹⁾
	12.250	0.625	CRWH1 R	102540¹⁾
10.500	11.750	0.625	CRWH1 R	105010¹⁾
	12.500	0.625	CRWH1 R	105051¹⁾
10.750	12.750	0.625	CRWH1 R	107551¹⁾
11.000	12.250	0.625	CRWHA1 R	110030¹⁾
	13.000	0.625	CRWH1 R	110051¹⁾
11.375	13.000	0.625	CRW1 R	113740¹⁾
11.500	13.000	0.625	CRWH1 R	115021¹⁾
	13.500	0.625	CRWH1 R	115041¹⁾
12.000	14.000	0.625	CRW1 R	120060¹⁾
12.250	13.375	0.625	CRWH1 R	122555¹⁾
	13.813	0.625	CRW1 R	122580¹⁾
	14.250	1.000	CRWHA1 R	122590¹⁾

¹⁾ Without SKF Bore Tite Coating

Radial shaft seals

CRW5 and CRWA5 seals

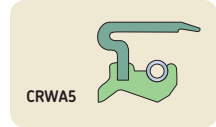
CRW5 and CRWA5 seals are designed to withstand moderate pressure differentials. They have an SKF Wave lip to reduce heat generation and a metal outside diameter for easy installation and a firm and accurate fit in the housing bore. See **pages 57** and **58** for more information on SKF Wave lip design. Most of them have SKF Bore Tite Coating on the outside diameter. The CRWA5 seals have an auxiliary lip, providing additional contaminant exclusion ability. A shoulder or retaining ring should be used at the low-pressure side of the seal to prevent it from being pressed out of the housing bore.

CRW5: Seal with one steel case, SKF Wave lip and a carbon steel garter spring.

CRWA5: Seal with one steel case, SKF Wave lip, a carbon steel garter spring and an auxiliary, contacting lip.

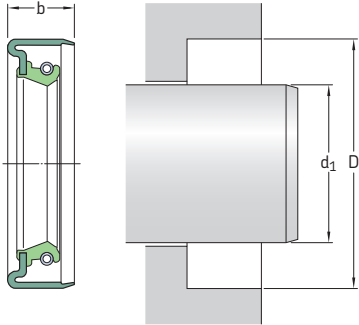
The CRW5 and CRWA5 seals are available in inch sizes with sealing lips made of either nitrile rubber or the SKF fluoro rubber compound SKF Duralife. Other materials are also available on request.

See **matrix 1** on **pages 90** and **91** for permissible operating conditions.



Radial shaft seals – CRW5 and CRWA5 – inch dimensions

d_1 0.313 – 0.875 in.



2.3

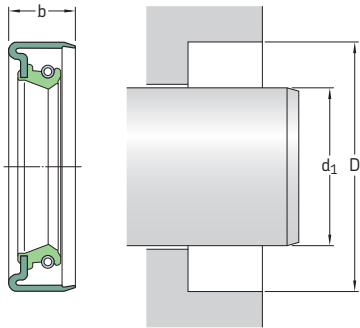
Please see pages 74 to 76 for housing bore requirements.

Dimensions Shaft	Bore	Nominal seal width b	Design and lip material	Designation
d_1	D			
in.			–	–
0.313	0.686	0.313	CRWA5 R	3094 ¹⁾
	0.749	0.250	CRWA5 R	3101 ¹⁾
	0.749	0.250	CRWA5 V	3103 ¹⁾
	0.999	0.313	CRWA5 R	3171 ¹⁾
0.375	0.749	0.250	CRW5 R	3689 ¹⁾
	1.124	0.375	CRW5 V	3807
0.500	0.875	0.313	CRWA5 R	4940
	0.875	0.313	CRWA5 V	4941
	0.999	0.250	CRWA5 V	4991
	0.999	0.313	CRWA5 R	4996
	1.124	0.250	CRWA5 R	5069
	1.124	0.250	CRWA5 V	5072
0.625	0.999	0.250	CRWA5 R	6151
	1.124	0.250	CRW5 R	6191
	1.124	0.374	CRWA5 V	6231
	1.124	0.375	CRWA5 R	6229
	1.126	0.250	CRW5 R	6242
	1.250	0.313	CRWA5 R	6280 ¹⁾
	1.250	0.313	CRWA5 V	6285 ¹⁾
	1.375	0.250	CRW5 P	6371
	1.375	0.375	CRWA5 R	6388
	1.500	0.313	CRW5 V	6393
0.750	1.250	0.250	CRWA5 R	7434
	1.250	0.375	CRWA5 R	7449
	1.375	0.250	CRWA5 V	7509
0.875	1.250	0.250	CRWA5 V	8634
	1.375	0.250	CRWA5 R	8660
	1.375	0.250	CRWA5 V	8665
	1.497	0.313	CRWA5 V	8694

¹⁾ Without SKF Bore Tite Coating

Radial shaft seals – CRW5 and CRWA5 – inch dimensions

d_1 0.984 – 2.500 in.



Please see **pages 74 to 76** for housing bore requirements.

Dimensions Shaft	Bore	Nominal seal width b	Design and lip material	Designation
d_1	D	b		
in.			–	–
0.984	1.596 1.752	0.250 0.313	CRWA5 R CRWA5 V	9700 9805
1.000	1.375 1.499 1.499 1.499	0.250 0.250 0.250 0.250	CRWA5 R CRWA5 R CRW5 R CRWA5 V	9814 9843 9855¹⁾ 9858
	1.500 1.752 2.000	0.250 0.313 0.313	CRWA5 R CRWA5 R CRWA5 R	9863 9967 10131
1.125	1.626	0.250	CRWA5 V	11139
1.250	1.687 1.750 1.750	0.313 0.250 0.250	CRWA5 R CRWA5 V CRWA5 R	12333 12339 12360
	1.997 2.328 2.502	0.438 0.500 0.500	CRWA5 V CRWA5 R CRWA5 R	12438 12609 12640
1.500	1.997 2.064 2.311 2.328	0.250 0.375 0.500 0.500	CRWA5 V CRWA5 V CRWA5 V CRWA5 R	14844 14868 14979 14977
1.750	2.502	0.500	CRWA5 R	17374
1.938	2.675 2.835	0.250 0.250	CRWA5 R CRWA5 R	19213 19278
2.500	3.251	0.350	CRWA5 R	24892

¹⁾ Without SKF Bore Tite Coating

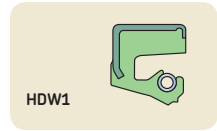
Radial shaft seals

HDW1 seals

HDW1 seals are heavy-duty SKF Wave lip seals, designed for use in grease or oil lubricated applications. The seals are produced standard with a heavy-duty seal body, SKF Bore Tite Coating on the metal outside diameter, SKF Wave lip in nitrile rubber, and a carbon steel garter spring.

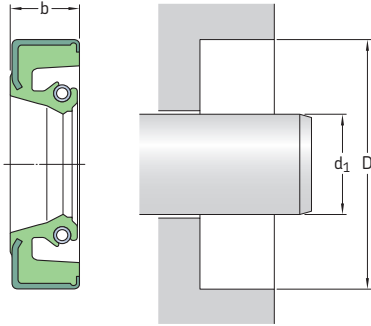
The rigid seal body can withstand operating pressures up to 0,24 MPa (35 *psi*), dynamic, and 0,34 MPa (50 *psi*), static, while withstanding shaft speeds up to 25 m/s (4 900 *ft/min*) at shaft diameters < 203 mm (8 *in.*).

The HDW1 seals are available in inch sizes.



Radial shaft seals – HDW1 – inch dimensions

d_1 5.000 – 7.938 in.



Please see pages 74 to 76 for housing bore requirements.

Dimensions			Design and lip material	Designation
Shaft	Bore	Nominal seal width		
d_1	D	b		
in.			–	–
5.000	6.125 7.125	0.500 0.500	HDW1 R HDW1 R	49951 50186
5.063	6.125	0.500	HDW1 R	50620
5.125	6.625 7.000	0.500 0.500	HDW1 R HDW1 R	51277 51330
5.188	6.250	0.500	HDW1 R	51800
5.250	6.750 7.125	0.500 0.500	HDW1 R HDW1 R	52651 52655
5.313	6.375	0.500	HDW1 R	53100
5.438	6.625	0.500	HDW1 R	54300
5.875	6.875 7.000	0.500 0.500	HDW1 R HDW1 R	58709¹⁾ 58710
5.938	7.000	0.500	HDW1 R	59300
6,000	7.250	0.500	HDW1 R	60009
6.063	7.500	0.500	HDW1 R	60650
6.125	7.125 7.250 7.375	0.500 0.500 0.500	HDW1 R HDW1 R HDW1 R	61215 61230 61235
6.250	7.250	0.500	HDW1 R	62480
6.375	7.500	0.500	HDW1 R	63717
6.438	7.500	0.500	HDW1 R	64330

Dimensions			Design and lip material	Designation
Shaft	Bore	Nominal seal width		
d_1	D	b		
in.			–	–
6.625	7.625 7.750 7.875 8.000	0.500 0.500 0.500 0.500	HDW1 R HDW1 R HDW1 R HDW1 R	66217 66219 66222 66230
6.750	7.750 8.750	0.500 0.500	HDW1 R HDW1 R	67510 67600
6.875	8.250 8.500	0.500 0.500	HDW1 R HDW1 R	68730 68760
7.125	8.250	0.500	HDW1 R	71220
7.375	8.375 8.500	0.500 0.500	HDW1 R HDW1 R	73720 73730
7.500	8.750 9.250	0.500 0.500	HDW1 R HDW1 R	75046 75069
7.625	8.875	0.500	HDW1 R	76225
7.750	8.750	0.500	HDW1 R	77506
7.875	8.875	0.500	HDW1 R	78710
7.938	9.125	0.500	HDW1 R	79620

¹⁾ Stainless steel garter spring

Radial shaft seals

CRS1, CRS1H1, CRSA1 and CRSHA1 seals

All CRS seals are designed with a metal case and a conventional spring-loaded sealing lip. Some of them have a sealant on the outside diameter to compensate for imperfections in the housing bore.

CRS1: Seal with a single steel case, a conventional sealing lip and a carbon steel garter spring.

CRSA1: Seal with a single steel case, a conventional sealing lip, a carbon steel garter spring and an auxiliary, contacting lip.

CRSH1: Seal with a double steel case, a conventional sealing lip and a carbon steel garter spring.

CRSHA1: Seal with a double steel case, a conventional sealing lip, a carbon steel garter spring and an auxiliary, contacting lip.

CRS seals are available with sealing lips made of nitrile rubber for general-purpose applications and of fluoro rubber, providing improved high temperature and chemical resistance.

See **matrix 1** on **pages 90** and **91** for permissible operating conditions.

CRS1



CRSH1



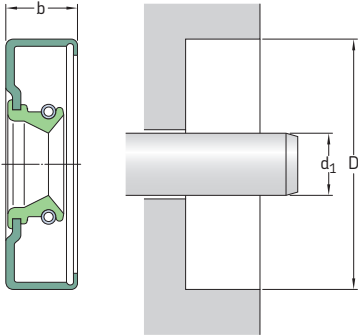
CRSA1



CRSHA1



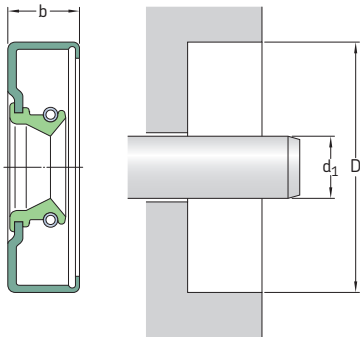
Radial shaft seals – CRS1, CRSH1, CRSA1 and CRSHA1 – metric dimensions
 d_1 12 – 37 mm



Please see **pages 74 to 76** for housing bore requirements.

Dimensions Shaft	Bore	Nominal seal width	Design and lip material	Designation
d_1	D	b		
mm.			–	–
12	20	5	CRSA1 R	12x20x5 CRSA1 R
13	28	7	CRS1 R	13x28x7 CRS1 R
19	37	10	CRS1 V	19x37x10 CRS1 V
20	30	5	CRS1 R	20x30x5 CRS1 R
	30	7	CRS1 V	20x30x7 CRS1 V
	32	7	CRS1 V	20x32x7 CRS1 V
	42	7	CRS1 V	20x42x7 CRS1 V
22	32	7	CRS1 V	22x32x7 CRS1 V
24	38	10	CRS1 R	24x38x10 CRS1 R
25	32	7	CRSA1 R	25x32x7 CRSA1 R
	47	10	CRSA1 V	25x47x10 CRSA1 V
	52	7	CRS1 R	25x52x7 CRS1 R
26	35	7	CRS1 R	26x35x7 CRS1 R
	42	8	CRS1 R	26x42x8 CRS1 R
27	37	7	CRS1 V	27x37x7 CRS1 V
	41	10	CRSH1 R	27x41x10 CRSH1 R
28	62	12	CRSH1 R	28x62x12 CRSH1 R
30	45	8	CRS1 V	30x45x8 CRS1 V
	52	9	CRSH1 R	30x52x9 CRSH1 R
32	46	8	CRS1 R	32x46x8 CRS1 R
34	52	10	CRS1 R	34x52x10 CRS1 R
	54	11	CRS1 R	34x54x11 CRS1 R
35	64	8	CRSA1 P	35x64x8 CRSA1 P
	65	12	CRSA1 R	35x65x12 CRSA1 R
36	46	9	CRS1 R	36x46x9 CRS1 R
	56	10	CRS1 R	36x56x10 CRS1 R
37	55	10	CRSH1 R	37x55x10 CRSH1 R

Radial shaft seals – CRS1, CRSH1, CRSA1 and CRSHA1 – metric dimensions
d₁ 40 – 260 mm



Please see **pages 74 to 76** for housing bore requirements.

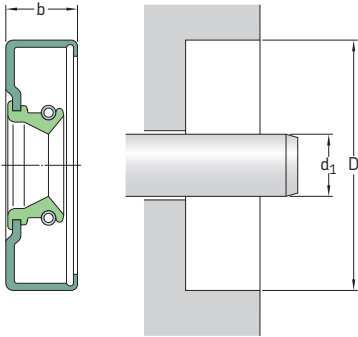
Dimensions Shaft	Bore	Nominal seal width	Design and lip material	Designation
d ₁	D	b		
mm			–	–
40	55	10	CRS1 R	40×55×10 CRS1 R
	60	10	CRSA1 R	40×60×10 CRSA1 R
42	62	10	CRS1 R	42×62×10 CRS1 R
43	62	10	CRSH1 R	43×62×10 CRSH1 R
45	58	9	CRSA1 R	45×58×9 CRSA1 R
	62	7	CRSA1 R	45×62×7 CRSA1 R
48	70	9	CRSA1 R	48×70×9 CRSA1 R
50	62	7	CRS1 R	50×62×7 CRS1 R
	62	10	CRS1 R	50×62×10 CRS1 R
	85	13	CRSH1 R	50×85×13 CRSH1 R
54	72	10	CRSA1 R	54×72×10 CRSA1 R
	80	10	CRSH1 R	54×80×10 CRSH1 R
57	72	10	CRSH1 R	57×72×10 CRSH1 R
58	85	13	CRSH1 R	58×85×13 CRSH1 R
59	75	10	CRSA1 R	59×75×10 CRSA1 R
60	70	7	CRS1 R	60×70×7 CRS1 R
	78	9	CRS1 R	60×78×9 CRS1 R ¹⁾
	80	10	CRSHA1 R	60×80×10 CRSHA1 R
	90	10	CRSH1 R	60×90×10 CRSH1 R
62	75	10	CRS1 R	62×75×10 CRS1 R
66	80	8,9	CRSHA1 R	66×80×9 CRSHA1 R
	85	10	CRSHA1 R	66×85×10 CRSHA1 R
	90	13	CRSH1 R	66×90×13 CRSH1 R
68	85	10	CRS1 R	68×85×10 CRS1 R
74	100	13	CRSH1 R	74×100×13 CRSH1 R

¹⁾ Sealant on outside diameter

Dimensions Shaft d_1	Bore D	Nominal seal width b	Design and lip material	Designation
mm			–	–
75	115	13	CRSH1 R	75×115×13 CRSH1 R
80	100 125	13 13	CRSA1 R CRSH1 R	80×100×13 CRSA1 R 80×125×13 CRSH1 R
85	100	9	CRS1 R	85×100×9 CRS1 R
88	110	13	CRSH1 R	88×110×13 CRSH1 R
90	125	13	CRSH1 R	90×125×13 CRSH1 R
95	110	9	CRS1 R	95×110×9 CRS1 R
100	120	13	CRSH1 R	100×120×13 CRSH1 R
105	125	12	CRS1 R	105×125×12 CRS1 R
107	123	11	CRSA1 R	107×123×11 CRSA1 R
108	130	13	CRSH1 R	108×130×13 CRSH1 R
113	140	13	CRSH1 R	113×140×13 CRSH1 R
115	160	15	CRSH1 R	115×160×15 CRSH1 R
120	150	15	CRSH1 R	120×150×15 CRSH1 R
125	146	14	CRSA1 P	125×146×14 CRSA1 P
126	147	11	CRSA1 R	126×147×11 CRSA1 R
130	150 150 155 160 160 165	10 14 10 13 13 13	CRSA1 R CRSA1 R CRSH1 R CRS1 R CRSA1 R CRSH1 R	130×150×10 CRSA1 R 130×150×14 CRSA1 R 130×155×10 CRSH1 R 130×160×13 CRS1 R 130×160×13 CRSA1 R 130×165×13 CRSH1 R
135	160 170	13 15	CRSH1 R CRSH1 R	135×160×13 CRSH1 R 135×170×15 CRSH1 R
138	152	12	CRSA1 R	138×152×12 CRSA1 R
145	164 175	14 14	CRSA1 R CRS1 R	145×164×14 CRSA1 R 145×175×14 CRS1 R
150	170 180 200	15 13 15	CRSH1 R CRSH1 R CRSH1 R	150×170×15 CRSH1 R 150×180×13 CRSH1 R 150×200×15 CRSH1 R
154	175	13	CRSA1 R	154×175×13 CRSA1 R
160	185	13	CRSA1 V	160×185×13 CRSA1 V
168	200	15	CRSH1 R	168×200×15 CRSH1 R
170	190	15	CRSH1 R	170×190×15 CRSH1 R
180	200 215 220	12 16 16	CRS1 R CRS1 R CRSA1 R	180×200×12 CRS1 R 180×215×16 CRS1 R 180×220×16 CRSA1 R
190	215	16	CRSH1 R	190×215×16 CRSH1 R
195	230	15	CRSH1 R	195×230×15 CRSH1 R
200	250	15	CRSH1 R	200×250×15 CRSH1 R
260	300	20	CRS1 R	260×300×20 CRS1 R

Radial shaft seals – CRS1, CRSH1, CRSA1 and CRSHA1 – inch dimensions

d_1 0.531 – 2.008 in.



Please see **pages 74 to 76** for housing bore requirements.

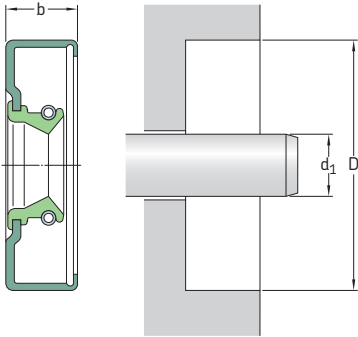
Dimensions Shaft	Bore	Nominal seal width	Design and lip material	Designation
d_1	D	b		
in.			–	–
0.531	1.124	0.313	CRSA1 R	5334
0.594	1.250 1.375	0.313 0.313	CRSA1 R CRSA1 R	5950 5966¹⁾
0.669	1.339	0.311	CRSA1 P	6992
0.709	1.339	0.315	CRSA1 P	7089
0.781	1.752	0.313	CRSHA1 R	8213
0.844	1.828	0.313	CRSA1 R	8485
0.945	1.575	0.315	CRS1 R	9515
0.969	2.048	0.375	CRS1 R	9688¹⁾
1.125	2.835 2.875	0.375 0.469	CRSA1 R CRSH1 R	11405¹⁾ 11410¹⁾
1.156	2.125	0.438	CRSH1 R	11566¹⁾
1.219	2.000	0.438	CRSH1 R	12131¹⁾
1.250	2.561 2.713 3.156	0.500 0.469 0.500	CRSH1 R CRSA1 R CRSH1 R	12655 12660¹⁾ 12678
1.301	2.000	0.438	CRSA1 P	12905
1.313	1.874 2.000 2.106 2.996	0.375 0.313 0.375 0.500	CRSA1 R CRSA1 R CRSA1 R CRSH1 R	13027¹⁾ 13037¹⁾ 13084¹⁾ 13275¹⁾
1.328	2.312	0.433	CRS1 R	13419¹⁾
1.362	2.191	0.250	CRS1 P	13500

¹⁾ Sealant on outside diameter

Dimensions Shaft d ₁	Bore D	Nominal seal width b	Design and lip material	Designation
in.			–	–
1.375	2.750 3.000 3.125 3.350	0.500 0.500 0.500 0.469	CRSH1 R CRSHA1 R CRSH1 R CRSH1 R	13906¹⁾ 13937 13936 13934¹⁾
1.399	2.292 2.292	0.469 0.500	CRSA1 R CRSA1 R	13992¹⁾ 13990¹⁾
1.414	2.250	0.250	CRSHA1 R	14035¹⁾
1.469	2.374	0.375	CRSA1 R	14641¹⁾
1.491	2.191	0.250	CRSA1 R	14780
1.500	2.996 3.000	0.500 0.375	CRSH1 R CRSA1 R	15240 15241
1.524	2.374	0.500	CRSH1 R	15343
1.563	2.716	0.469	CRSH1 R	15748¹⁾
1.618	2.575	0.500	CRSA1 R	16404¹⁾
1.625	2.437 2.835 3.062 3.251	0.469 0.469 0.500 0.500	CRSHA1 R CRSH1 R CRSH1 R CRSH1 R	16121 16386 16431¹⁾ 16440¹⁾
1.656	2.502	0.500	CRSH1 R	16532¹⁾
1.688	2.374 2.835	0.313 0.469	CRSA1 R CRSA1 R	16669 16960
1.705	3.084	0.500	CRS1 R	17053
1.719	2.623	0.500	CRSH1 R	17136¹⁾
1.750	2.328 3.154 3.937	0.438 0.313 0.313	CRS1 R CRS1 R CRSA1 R	17257 17726 17771¹⁾
1.781	2.750 2.758	0.500 0.500	CRSH1 R CRSH1 R	17847 17851¹⁾
1.844	2.502 2.750	0.375 0.375	CRSA1 R CRSA1 R	18412¹⁾ 18446¹⁾
1.875	3.125	0.313	CRSA1 R	18879¹⁾
1.889	3.110	0.688	CRSA1 P	18983
1.890	2.874	0.276	CRSA1 P	18979
1.906	3.189	0.313	CRSA1 P	19062
1.938	2.762 2.825 3.751	0.500 0.500 0.500	CRSA1 R CRSH1 P CRSH1 R	19273¹⁾ 19274 19466¹⁾
1.969	2.638 2.686 2.742 2.875	0.354 0.500 0.500 0.469	CRSA1 R CRSH1 R CRSH1 P CRSH1 R	19628 19615 19620 19643
2.008	2.953	0.354	CRSA1 P	20012

¹⁾ Sealant on outside diameter

Radial shaft seals – CRS1, CRSH1, CRSA1 and CRSHA1 – inch dimensions
 d_1 2.063 – 7.000 in.



Please see **pages 74 to 76** for housing bore requirements.

Dimensions Shaft	Bore	Nominal seal width	Design and lip material	Designation
d_1	D	b		
in.			–	–
2.063	2.875	0.375	CRSA1 R	550085¹⁾
2.125	3.623	0.469	CRSA1 P	21379
2.145	3.188	0.469	CRSH1 R	21538
2.188	3.623	0.500	CRSHA1 R	21950
2.432	3.070	0.227	CRSA1 P	24110
2.563	3.500	0.500	CRSHA1 P	25587
2.648	3.812	0.500	CRS1 R	26877
2.750	4.125 4.125	0.438 0.563	CRS1 P CRSA1 R	27576¹⁾ 27577
2.875	3.434	0.294	CRSA1 R	28646¹⁾
2.913	3.543	0.394	CRS1 P	29105
3.125	3.936	0.512	CRSA1 V	31144¹⁾
3.250	3.876 4.125	0.375 0.563	CRSA1 V CRSH1 R	32332¹⁾ 32362¹⁾
3.298	4.125	0.563	CRSA1 R	32815¹⁾
3.469	4.626	0.625	CRSA1 R	34700
3.500	5.751	0.563	CRSH1 R	35111¹⁾
3.504	4.173	0.354	CRSA1 V	35120
3.813	4.999 5.251	0.469 0.469	CRSH1 R CRSH1 R	38160 38220¹⁾
3.875	5.501 5.751	0.500 0.563	CRSHA1 R CRSH1 R	38749¹⁾ 38810

¹⁾ Sealant on outside diameter

Dimensions Shaft d ₁	Bore D	Nominal seal width b	Design and lip material	Designation
in.			–	–
3.898	4.680	0.370	CRSA1 VR	38770
4.188	4.999 5.251 5.751	0.469 0.469 0.500	CRSHA1 R CRSH1 R CRSHA1 R	41751 41761 41833
4.313	5.751	0.500	CRSH1 R	43231
4.563	5.751 6.250	0.500 0.500	CRSHA1 R CRSH1 R	45550 45560
5.000	7.000 7.500	0.500 0.500	CRSHA1 R CRSHA1 R	50185 50195
5.125	6.500	0.500	CRSHA1 R	51276
5.313	6.500	0.500	CRSHA1 R	53151
5.375	6.374 6.499	0.500 0.563	CRSHA1 R CRSH1 R	53688¹⁾ 53692
5.500	6.626 6.876 7.501	0.563 0.563 0.563	CRSHA1 R CRSHA1 R CRSH1 R	54949 55157 55179
5.750	6.876 7.126 7.502	0.563 0.563 0.563	CRSHA1 R CRSHA1 R CRSHA1 R	57519 57578 57584
6.000	7.002	0.500	CRSHA1 R	60006¹⁾
6.062	6.772	0.551	CRSA1 R	60620
6.125	7.502	0.563	CRSHA1 R	61248¹⁾
6.188	7.500	0.563	CRSH1 P	61740
7.000	8.375	0.625	CRSHA1 R	70034

¹⁾ Sealant on outside diameter

Radial shaft seals

PTFE radial shaft seals

Radial shaft seals with one or more PTFE sealing lip(s) are designed to withstand aggressive environments, high temperatures, high pressures and dry running that traditional radial shaft seals made of elastomeric sealing lip materials cannot withstand. Many of the PTFE compounds are FDA approved. Main advantages of PTFE seals include:

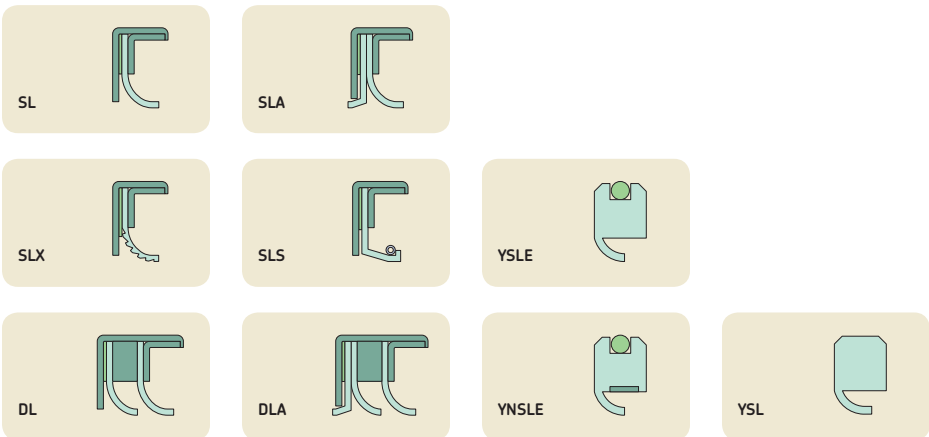
- High chemical resistance
- Withstand speeds up to 30 m/s (5 900 ft/min)
- Wide operating temperature range, -70 to +250 °C (-95 to +480 °F)
- Withstand pressures up to 3,5 MPa (500 psi)
- Withstand dry running

Assortment

The profiles shown below are a selection of the most commonly used SKF seal designs with sealing lips made of PTFE. They can be installed in existing housing grooves where traditional radial seals are used, provided that the grooves are manufactured in accordance with international standards.

There are two main executions of PTFE seals: those with a metal case and those without a metal case. The metal case can be made of steel, aluminium or any of the stainless steel materials SS 304, SS 316 and SS 316 TI. The PTFE material should be selected based on the needs of the application.

PTFE seals without a metal case can be designed with an O-ring in the outside diameter groove to provide static sealing ability. Both the PTFE and O-ring material can be selected to meet the demands of different operating conditions, e.g. in the food industry to enable disassembly of the equipment for cleaning.



PTFE materials

The selection of seal materials typically requires a compromise between advantages and disadvantages. There are hundreds of different PTFE materials with a variety of fillers. Common fillers include glass fibre, carbon, graphite, molybdenum disulphide, metal oxides and various polymers. Each possesses different properties, appropriate for different applications and service conditions. Common to all filled PTFE materials are their improved resistance to wear and deformation.

Unfilled PTFE provides, in most cases, a lower coefficient of friction than a filled PTFE material and the lowest degree of wear of the seal counterface. However, a sealing lip made of an unfilled PTFE material has limited resistance to wear and deformation under load.

The PTFE materials that SKF most often recommends are listed in **table 14** on **page 176**. In addition to PTFE-based compounds, SKF also offers radial shaft seals in other modified plastics, some of which are listed in **table 15** on **page 177**.

Selecting the appropriate material for the metal case and the O-ring(s) is also of significant importance to achieving satisfactory sealing performance. Contact SKF for more information.

Installation

Special care must be taken during handling and installation of PTFE seals. For more information, refer to **pages 85** and **86**.

Size range and availability

The majority of PTFE radial shaft seals from SKF are made to order to meet the demands of each application. There are, however, certain standard sizes within the ranges of approximately 6 to 200 mm (*0.250 to 8 in.*) shaft diameter and approximately 16 to 230 mm (*0.630 to 9 in.*) bore diameter. Contact SKF for more information regarding designs and sizes.

Radial shaft seals

Table 14

Material family	Description	Shaft hardness recommended ¹⁾
PTFE, unfilled	"Virgin" PTFE. FDA approved. Low-friction material. Used for general non-pressure applications on shafts with low hardness value. Excellent for cryogenics.	A
PTFE + glass	FDA approved. Glass can be in the form of beads or fibres. Glass is exceptionally strong and prolongs the life of the base PTFE. Due to its inherent hardness, it also adds an abrasive property and is not recommended on low-hardness shafts.	C
PTFE + MoS₂	Molybdenum disulphide (MoS ₂) adds wear resistance to the base PTFE. Not as abrasive as glass.	C
PTFE + glass + MoS₂	Improved elongation characteristics and less abrasive to running surfaces compared to PTFE + glass.	C
PTFE + carbon	Carbon can be in the form of various grades of fibres or graphite powder, either natural or synthetic. Carbon is an excellent natural lubricant and provides wear resistance to enhance the low-friction base PTFE material. Increased percentage of carbon will increase the wear, creep, and extrusion resistance and improve performance in steam and chemical service at elevated temperatures and pressures.	A, B, C
PTFE + carbon + MoS₂	Excellent wear rate in non-lubricated services at high temperatures.	B, C
PTFE + bronze	Suitable for high-speed dynamic sealing of hydraulic media. Should not be used in chemical service, which could attack the bronze.	
PTFE + bronze + MoS₂	High degree of wear and extrusion resistance in high-pressure applications.	
PTFE + polymer	Polymers, such as polyoxybenzoate, polyimide and many others improve creep and wear resistance.	A, B, C
PTFE + organic pigment	FDA and/or USDA 3A approved.	

¹⁾ Material selection recommendations for counterface hardness ratings (Rockwell C scale) combined with surface speed. For material selection, please see **table 16**

Table 15

Modified plastic materials

UHMWPE	Ultra-high molecular weight polyethylene. Significantly improved wear and abrasion resistance over PTFE-based materials in non-lubricated or abrasive media. FDA and USDA 3A approved. Fair media compatibility, limited to approximately 90 °C (195 °F).
Nylon	Improved strength, limited media compatibility and temperature resistance. Hydroscopic. Used for plain bearings, bushings, back-up rings and some seals.
POM	Polyoxymethylene (a.k.a. polyacetal or just acetal). Similar to nylon but with significantly reduced water-absorption properties. Some grades are FDA and USDA 3A compliant. Typically used for plain bearings, bushings, and back-up rings.
Ertalylte	Similar to POM but offers improved media compatibility and improved wear resistance.
PEEK	Polyetheretherketone. Similar strength properties as nylon and POM but with very good media compatibility and significantly better temperature properties. Some grades are FDA and USDA 3A compliant. Used for plain bearings, bushings, back-up rings and some seals.
PPS	Polyphenylene sulphide. Similar strength properties and chemical compatibility as PEEK-based compounds but offers improved wear resistance. Has better temperature capabilities than nylon or POM materials but not as good as PEEK. Adding fillers can create a "bearing-grade" PPS for high-performance applications.
PA	Polyamide. Exceptional mechanical, thermal and chemical resistance properties.



Table 16

Material selection with shaft hardness + velocity

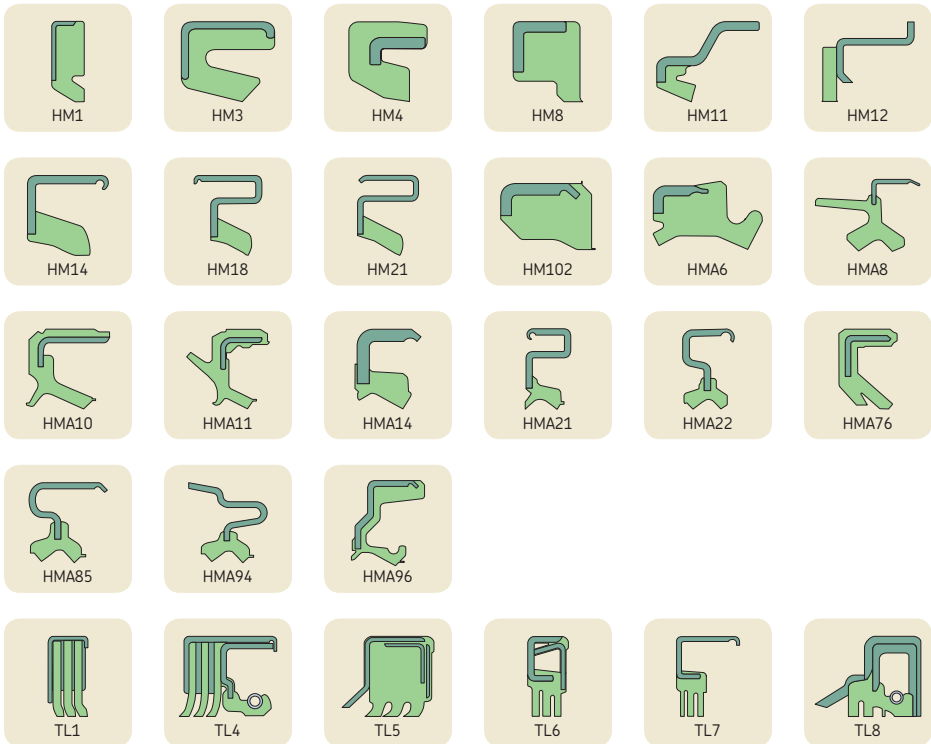
Surface speed	< 30 HRC	45 HRC	≥ 58 HRC
Low	A or B	A, B, C	A, B, C
Medium	A	A, B	A, B, C
High	A	A, B	A, B

Radial shaft seals

HM and TL seals for grease lubricated applications

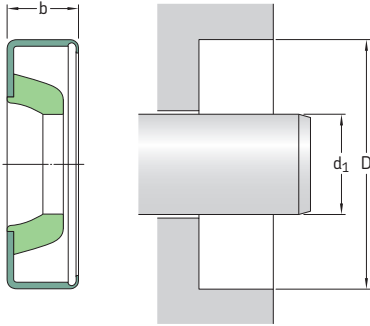
SKF offers an extensive assortment of radial shaft seals for less demanding grease lubricated applications operating at moderate speeds. The majority of these seals are designed without a spring. The seals are generally installed with the sealing lip facing outward to provide maximum exclusion ability. Typical applications are grease lubricated agriculture machinery. The illustrations below show the most commonly used designs within this assortment from SKF. Contact SKF for more information on available designs.

See **matrix 1** on **pages 90** and **91** for permissible operating conditions, valid for both HM and TL seals.



Radial shaft seals – HM and TL seals – metric dimensions

d_1 6 – 22 mm



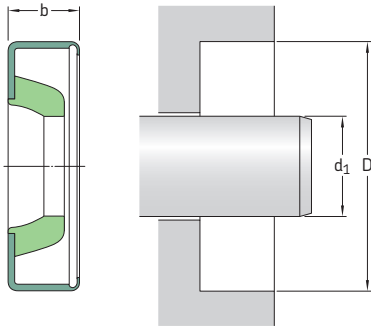
2.6

Please see **pages 74 to 76** for housing bore requirements.

Dimensions Shaft	Bore	Nominal seal width	Design and lip material	Designation
d_1	D	b		
mm			–	–
6	12	2	HM3 R	6×12×2 HM3 R
8	12	3	HM4 R	8×12×3 HM4 R
9	13	3	HM4 R	9×13×3 HM4 R
10	14	3	HM4 R	10×14×3 HM4 R
	16	4	HM102 R	10×16×4 HM102 R
12	16	3	HM4 R	12×16×3 HM4 R
	18	3	HM4 R	12×18×3 HM4 R
	19	3	HM4 R	12×19×3 HM4 R
	22	4	HM4 R	12×22×4 HM4 R
14	20	3	HM4 R	14×20×3 HM4 R
	22	3	HM4 R	14×22×3 HM4 R
15	21	3	HM4 R	15×21×3 HM4 R
	23	3	HM4 R	15×23×3 HM4 R
	25	5	HMA10 R	15×25×5 HMA10 R
16	22	3	HM4 R	16×22×3 HM4 R
	22	4	HM4 R	16×22×4 HM4 R
	24	4	HM102 R	16×24×4 HM102 R
17	23	3	HM4 R	17×23×3 HM4 R
18	24	3	HM4 R	18×24×3 HM4 R
	26	4	HMA1 R	18×26×4 HMA1 R
19	27	4	HM4 R	19×27×4 HM4 R
20	26	4	HM4 R	20×26×4 HM4 R
	28	4	HM4 R	20×28×4 HM4 R
22	28	4	HM1 R	22×28×4 HM1 R
	28	4	HMA10 R	22×28×4 HM10 R
	30	4	HM4 R	22×30×4 HM4 R
	35	5	HM14 R	22×35×5 HM14 R

Radial shaft seals – HM and TL seals – metric dimensions

d_1 23 – 65 mm



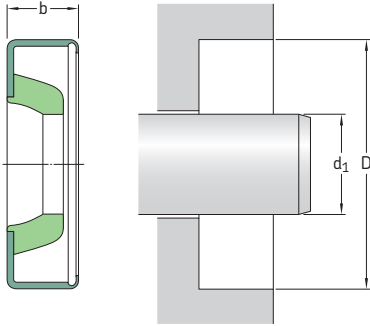
Please see **pages 74 to 76** for housing bore requirements.

Dimensions Shaft	Bore	Nominal seal width b	Design and lip material	Designation
d_1	D	b		
mm			–	–
23	32 35	5,50 6	HM1 R HMA10 R	23x32x6 HM1 R 23x35x6 HMA10 R
24	32	4	HM4 R	24x32x4 HM4 R
25	32 33 35	4 4 4	HM4 R HM4 R HM4 R	25x32x4 HM4 R 25x33x4 HM4 R 25x35x4 HM4 R
26	34	4	HM4 R	26x34x4 HM4 R
28	35 35 37	4 6 4	HM4 R HM102 R HM4 R	28x35x4 HM4 R 28x35x6 HM102 R 28x37x4 HM4 R
30	37 40	4 4	HM4 R HM4 R	30x37x4 HM4 R 30x40x4 HM4 R
32	42	4	HM4 R	32x42x4 HM4 R
35	42 45 47	4 4 5	HM4 R HM4 R HM4 R	35x42x4 HM4 R 35x45x4 HM4 R 35x47x5 HM4 R
37	47	4	HM4 R	37x47x4 HM4 R
38	48	4	HM4 R	38x48x4 HM4 R
40	47 50 52 53 62	4 4 5 5 10	HM4 R HM4 R HM4 R HMA76 R HMA10 R	40x47x4 HM4 R 40x50x4 HM4 R 40x52x5 HM4 R 40x53x5 HMA76 R 40x62x10 HMA10 R
42	52 55 64	4 6 6	HM4 R HM1 R HMA1 R	42x52x4 HM4 R 42x55x6 HM1 R 42x64x6 HMA1 R

Dimensions			Design and lip material	Designation
Shaft	Bore	Nominal seal width		
d_1	D	b		
<hr/>				
mm			–	–
<hr/>				
45	52	4	HM4 R	45×52×4 HM4 R
	55	4	HM4 R	45×55×4 HM4 R
	72	8	HMA22 R	45×72×8 HMA22 R
47	72	6	HMA85 R	47×72×6 HMA85 R
48	58	4	HM4 R	48×58×4 HM4 R
50	60	6	HMA10 R	50×60×6 HMA10 R
	62	5	HM4 R	50×62×5 HM4 R
62	78	7	HMA8 R	62×78×7 HMA8 R
65	75	8	HM102 R	65×75×8 HM102 R

Radial shaft seals – HM and TL seals – inch dimensions

d_1 0.188 – 0.750 in.



Please see pages 74 to 76 for housing bore requirements.

Dimensions Shaft	Bore	Nominal seal width b	Clearance B_3	Design and lip material	Designation	
d_1	D					
in.				–	–	
0.188	0.500	0.125		HM14 R	1850	
0.250	0.499	0.188		HM14 R	2450	
	0.499	0.188		HMA14 V	2452	
	0.562	0.188		HM14 R	2470¹⁾	
	0.626	0.250		HM14 R	2490	
	0.749	0.188		HM14 R	2560	
0.313	0.500	0.125		HM4 R	3044	
	0.626	0.156		HM14 R	3060¹⁾	
	0.626	0.156		HM14 V	3061	
	0.626	0.203		HM1 R	3050¹⁾	
	0.633	0.141		HM14 R	3080	
	0.749	0.250		HM14 R	3140	
	0.750	0.250		HM3 R	3141	
	0.862	0.250		HM14 R	3086	
	0.375	0.562	0.093		HM3 V	535835
		0.563	0.094		HM3 R	3621
0.628		0.197		HMA10 P	3632	
0.687		0.156		HM14 R	3645¹⁾	
0.749		0.250		HM14 R	3683	
0.875		0.250		HM14 R	3727	
0.404	0.620	0.188		HM14 R	4010	
	0.862	0.250		HM14 R	4012	
0.438	0.836	0.188		HM14 R	4231	
	0.879	0.180		HM8 R	4256	
	0.999	0.250		HM14 R	4340	
0.469	0.836	0.188		HM14 P	4623	
	0.875	0.219		HM14 R	4628	
0.500	0.687	0.093		HM3 V	538545	
	0.688	0.094		HM3 R	4911	
	0.750	0.125		HM14 R	4912¹⁾	

¹⁾ SKF Bore Tite Coating

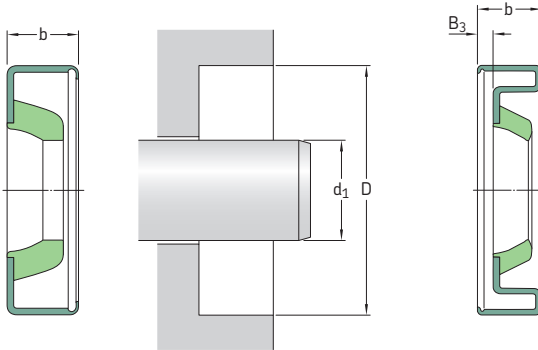
Dimensions Shaft	Bore	Nominal seal width b	Clearance B ₃	Design and lip material	Designation
d ₁	D	b	B ₃		
in.				–	–
0.500 cont.	0.820	0.156		HM14 R	4914 ¹⁾
	0.843	0.250		HM14 R	4923 ¹⁾
	0.875	0.125		HM14 R	4925
	0.875	0.250		HM14 R	4938
	0.999	0.188		HM14 R	4950 ¹⁾
0.999	0.250		HM14 R	4990 ¹⁾	
	1.124	0.250		HM14 R	5085 ¹⁾
	1.124	0.203		HM21 R	5399 ¹⁾
0.563	0.750	0.094		HM3 R	5500
	0.875	0.188		HM14 R	5522 ¹⁾
	0.999	0.219		HM14 R	5569 ¹⁾
	1.124	0.250		HM14 R	5685
0.594	1.124	0.250		HM14 R	5946 ¹⁾
0.624	1.131	0.188		HM14 R	6243 ¹⁾
0.625	0.812	0.094		HM3 R	6105
	0.813	0.094		HM3 V	6106
0.933	0.188			HM14 R	6125 ¹⁾
	0.933	0.188		HM14 V	6126 ¹⁾
	0.937	0.188		HM14 R	6130 ¹⁾
	1.000	0.125		HM14 P	6152 ¹⁾
	1.000	0.125		HM14 R	6153
	1.063	0.250		HM14 R	6158 ¹⁾
	1.124	0.250		HM14 R	6225 ¹⁾
	1.250	0.250		HM14 R	6323 ¹⁾
	1.259	0.250		HM14 R	6335 ¹⁾
	1.375	0.250		HM14 R	6370 ¹⁾
0.669	1.250	0.250		HM14 R	6806 ¹⁾
0.688	0.999	0.188		HM14 R	6720 ¹⁾
	1.124	0.250		HM14 R	6759 ¹⁾
	1.187	0.125		HM14 R	6762 ¹⁾
	1.375	0.125		HM14 R	6915 ¹⁾
	1.375	0.250		HM14 R	6920 ¹⁾
0.750	0.999	0.125		HM14 R	7410
	1.000	0.125		HM14 D	7408 ¹⁾
	1.000	0.125		HM3 V	535909
	1.004	0.156		HM8 R	7409
	1.006	0.125		HM14 R	7411 ¹⁾
	1.031	0.313		HMA6 R	7412
	1.062	0.188		HM14 R	7413
	1.124	0.156		HM14 R	7415 ¹⁾
	1.187	0.156		HM14 R	7421
	1.249	0.250		HM14 R	530716 ²⁾
	1.250	0.250		HM14 R	7464 ¹⁾
	1.259	0.250		HM14 R	7477 ¹⁾
	1.375	0.250		HM14 R	7536
1.375	0.250		HM14 P	7537	
1.437	0.250		HM14 R	7550 ¹⁾	
1.499	0.250		HM14 R	7571 ¹⁾	

1) SKF Bore Tite Coating

2) Stainless steel case

Radial shaft seals – HM and TL seals – inch dimensions

d_1 0.781 – 1.375 in.



Please see pages 74 to 76 for housing bore requirements.

Dimensions Shaft	Bore	Nominal seal width b	Clearance B_3	Design and lip material	Designation
d_1	D		B_3		
in.				–	–
0.781	1.375	0.197		HM14 R	7831 ¹⁾
0.813	1.063	0.125		HM3 R	8009
0.875	1.125	0.125		HM14 R	8620
	1.125	0.125		HM14 V	8619 ¹⁾
	1.246	0.188		HM14 R	8625 ¹⁾
	1.251	0.188		HM14 R	8627
	1.251	0.188		HM3 R	8631 ²⁾
	1.255	0.188		HM14 R	8632 ²⁾
	1.308	0.250		HM14 R	8637 ¹⁾
	1.312	0.250		HM14 R	8645 ¹⁾
	1.375	0.188		HM14 R	8677 ¹⁾
	1.437	0.250		HM14 R	8690 ¹⁾
	1.499	0.250		HM21 R	8741 ¹⁾
	1.562	0.250		HM14 R	8761
	1.575	0.250		HM14 R	8772
	1.624	0.188		HM8 R	8802
0.938	1.375	0.250		HM14 R	9243 ¹⁾
	1.499	0.250		HM14 R	9298 ¹⁾
	1.734	0.250		HM14 R	9354 ¹⁾
1.000	1.250	0.125		HM14 R	9815 ¹⁾
	1.312	0.125		HM14 R	9818 ¹⁾
	1.375	0.188		HM14 R	9820 ¹⁾
	1.437	0.250		HM14 R	9835 ¹⁾
	1.499	0.188		HM14 R	9859 ¹⁾
	1.510	0.219		HM21 R	9853 ¹⁾
	1.561	0.250		HM14 R	9900 ¹⁾
	1.575	0.250		HM14 R	9903 ¹⁾
	1.624	0.250		HM14 R	9932 ¹⁾

¹⁾ SKF Bore Tite Coating

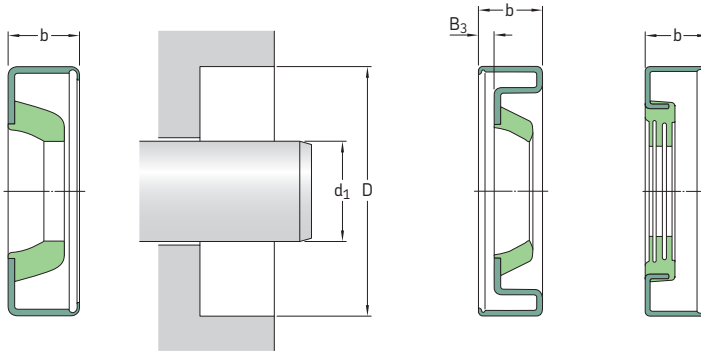
²⁾ Stainless steel case

Dimensions Shaft	Bore	Nominal seal width b	Clearance	Design and lip material	Designation	
d ₁	D	b	B ₃			
in.				–	–	
1.000 cont.	1.752	0.250	0.265	HM21 R	9995 ¹⁾	
	1.781	0.250		HM21 R	530484	
	1.781	0.469		HM14 R	10034 ¹⁾	
	1.781	0.469		HM18 R	10035 ¹⁾	
	1.851	0.250	0.265	HM14 R	10074 ¹⁾	
	1.938	0.250		HM14 R	10112 ¹⁾	
	2.000	0.250	0.265	HM21 R	10152 ¹⁾	
	2.250	0.250		HM14 R	10185 ¹⁾	
	1.125	1.375	0.125	0.265	HM14 R	11050
		1.375	0.125		HM14 V	11052 ¹⁾
1.438		0.203	0.265	HM14 R	11055 ¹⁾	
1.499		0.188		HM14 R	11060 ¹⁾	
1.562		0.188	0.265	HM8 R	11065	
1.562		0.250		HM14 R	11081	
1.624		0.250		HM21 R	11130 ¹⁾	
1.750		0.250	0.265	HM14 R	11150 ¹⁾	
1.781		0.250		HM21 R	11161 ¹⁾	
1.781		0.469		HM18 R	11164	
1.828	0.250	0.352	HM21 R	11191		
1.938	0.343		HM14 R	11269		
2.000	0.250	0.352	HM21 R	11334 ¹⁾		
2.047	0.250		HM21 R	11352 ¹⁾		
1.188	2.000	0.250	HM1 R	11836		
1.190	1.996	0.250	HM1 R	11846 ¹⁾		
1.250	1.500	0.125	0.265	HM14 R	12330 ¹⁾	
	1.624	0.250		HM14 R	12325 ¹⁾	
	1.625	0.188	0.265	HM14 R	11096	
	1.686	0.188		HM14 R	12334 ¹⁾	
	1.752	0.188		HM21 R	12361 ¹⁾	
	1.752	0.250	0.265	HM21 R	12369	
	1.828	0.188		HM8 R	12375	
	1.874	0.250		HM21 R	12379 ¹⁾	
	1.968	0.438	0.254	HM14 R	12398 ¹⁾	
	1.968	0.469		HM18 R	12399 ¹⁾	
1.979	0.250	HM21 R		12407 ¹⁾		
1.979	0.406	0.200	HM18 R	12411		
1.980	0.406		HMA22 R	12506 ¹⁾		
1.983	0.250		HM21 R	12437		
2.000	0.250	0.200	HM21 R	12481 ¹⁾		
2.062	0.250		HM21 R	12508 ¹⁾		
2.125	0.250	0.286	HM21 R	12565 ¹⁾		
2.250	0.250		HM14 R	12582 ¹⁾		
2.328	0.500		HM18 R	12611 ¹⁾		
1.375	1.750	0.197	0.286	HM14 R	13529	
	1.750	0.197		HM14 V	13509 ¹⁾	

¹⁾ SKF Bore Tite Coating

Radial shaft seals – HM and TL seals – inch dimensions

d_1 1.375 – 1.750 in.



Please see pages 74 to 76 for housing bore requirements.

Dimensions Shaft	Bore	Nominal seal width b	Clearance B_3	Design and lip material	Designation
d_1	D				
in.				–	–
1.375	1.834	0.188		HM8 R	13533 ¹⁾
cont.	1.874	0.188		HM14 R	13543
	1.874	0.250		HM14 R	13548 ¹⁾
	1.874	0.250		HM14 P	13545 ¹⁾
	1.938	0.250		HM14 R	13556 ¹⁾
	2.000	0.250		HM21 R	13573 ¹⁾
	2.106	0.250		HM21 R	13612 ¹⁾
	2.125	0.250		HM21 R	13662 ¹⁾
	2.250	0.250		HM14 R	13689 ¹⁾
	2.282	0.250		HM14 R	13710 ¹⁾
	2.328	0.406	0.188	HM18 R	13711
	2.374	0.250		HM21 R	13758 ¹⁾
	2.437	0.250		HM21 R	13796 ¹⁾
	2.502	0.250		HM21 R	13862 ¹⁾
	2.835	0.594		TL8 R	13916 ¹⁾
1.438	2.000	0.125		HM4 R	14209
	2.250	0.250		HM14 R	14257 ¹⁾
	2.437	0.250		HM21 R	14359 ¹⁾
	2.437	0.250		HM21 V	564365 ¹⁾
1.457	2.047	0.328		HMA11 R	14600 ²⁾
1.473	1.971	0.563		HMA10 R	14631
1.500	1.874	0.188		HM14 R	14804
	1.874	0.188		HM14 V	14808 ¹⁾
	1.874	0.250		HM14 R	14810 ¹⁾
	1.938	0.250		HM14 R	14816 ¹⁾
	1.983	0.188		HM14 R	14840
	1.989	0.250		HMA22 R	14848 ¹⁾

¹⁾ SKF Bore Tite Coating

²⁾ Press-fit width 0.288 in., axial auxiliary lip

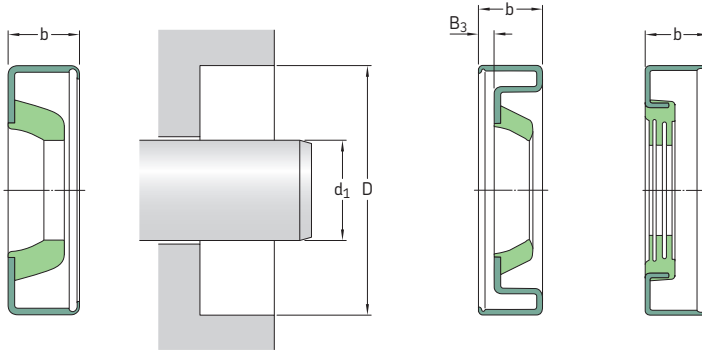
Dimensions Shaft	Bore	Nominal seal width b	Clearance	Design and lip material	Designation
d ₁	D	b	B ₃		
in.				–	–
1.500 cont.	2.000	0.188		HM8 R	14869
	2.000	0.250		HM14 R	14857¹⁾
	2.250	0.250		HM21 R	14960
	2.254	0.250		HM21 R	14966¹⁾
	2.328	0.390	0.188	HM18 R	14975
	2.328	0.500	0.286	HM18 R	14974
	2.374	0.250		HM21 R	15032¹⁾
	2.437	0.250		HM14 R	15080¹⁾
	2.502	0.250		HM21 R	15160¹⁾
	2.623	0.250		HM21 R	15190
	2.716	0.250		HM21 R	15209¹⁾
	1.563	2.250	0.250		HM14 R
2.374		0.250		HM21 R	15544¹⁾
2.502		0.250		HM21 R	15649¹⁾
2.687		0.250		HM21 R	15719¹⁾
1.609	1.906	0.250		HM3 R	16430²⁾
1.625	2.125	0.250		HM14 R	16055¹⁾
	2.250	0.250		HM21 R	16065¹⁾
	2.328	0.438	0.235	HM18 R	16069¹⁾
	2.328	0.438		TL7 R	16064
	2.374	0.250		HM21 R	16092¹⁾
	2.375	0.250		HM14 R	16095
	2.437	0.250		HM21 R	16168¹⁾
	2.502	0.250		HM21 R	16270¹⁾
	2.562	0.250		HM21 R	16285¹⁾
	2.562	0.438	0.210	HM18 R	16289¹⁾
	2.623	0.250		HM21 R	16322¹⁾
	2.750	0.250		HM21 R	16362¹⁾
2.781	0.313		HM14 R	16384¹⁾	
1.660	2.440	0.594		HM11 R	16520
1.688	2.328	0.500	0.286	HM18 R	16667
	2.502	0.281		HM21 R	16743¹⁾
	2.562	0.250		HM21 R	16754¹⁾
1.750	2.250	0.188		HM14 R	17240¹⁾
	2.374	0.250		HM21 R	17277
	2.437	0.250		HM21 R	17310
	2.441	0.250		HM21 R	17340¹⁾
	2.441	0.250		HM21 R	17341¹⁾²⁾
	2.441	0.469	0.254	HM18 R	17359¹⁾
	2.502	0.250		HM21 R	17392¹⁾
	2.561	0.250		HM21 R	17415¹⁾
	2.562	0.500	0.286	HM18 R	17406¹⁾
	2.623	0.250		HM21 R	17461
	2.716	0.250		HM21 R	17488¹⁾
	2.718	0.359	0.160	HM18 R	17617¹⁾
	2.718	0.359		TL7 R	17618
	2.750	0.250		HM21 R	17544¹⁾
	2.830	0.375		HM21 R	17633¹⁾
	2.875	0.250		HM21 R	17671¹⁾
	2.875	0.500		TL7 R	17674

1) SKF Bore Tite Coating

2) Stainless steel case

Radial shaft seals – HM and TL seals – inch dimensions

d_1 1.750 – 2.500 in.



Please see pages 74 to 76 for housing bore requirements.

Dimensions Shaft	Bore	Nominal seal width b	Clearance	Design and lip material	Designation
d_1	D		B_3		
in.				–	–
1.750	3.000	0.250		HM21 R	17702 ¹⁾
cont.	3.149	0.290		TL6 R	17724
1.781	2.126	0.250		HM14 R	17802 ²⁾
1.811	2.697	0.295		HMA8 R	17955
1.813	2.562	0.438	0.224	HM18 R	18050 ¹⁾
	2.719	0.270		TL7 R	18127
	2.965	0.250		HM1 R	18258
1.875	2.502	0.250		HM21 R	18558 ¹⁾
	2.623	0.250		HM21 R	18591 ¹⁾
	2.750	0.250		HM21 R	18659 ¹⁾
	2.780	0.250		HM21 R	18704 ¹⁾
	2.875	0.250		HM21 R	18750 ¹⁾
	2.997	0.250		HM14 R	18808 ¹⁾
	3.000	0.250		HM21 R	18823 ¹⁾
	3.150	0.250		HM21 R	18889 ¹⁾
1.938	2.502	0.281		HM14 R	19219 ¹⁾
	2.875	0.250		HM21 R	19306 ¹⁾
	2.686	0.594		TL8 R	19251 ¹⁾
1.945	2.892	0.294		TL6 R	19510 ¹⁾
1.970	2.362	0.158		HM14 D	532627
2.000	2.371	0.250		HM14 R	19737 ¹⁾
	2.375	0.188		HM14 R	19733
	2.500	0.250		HM1 R	19748
	2.502	0.250		HM14 R	19754 ¹⁾

¹⁾ SKF Bore Tite Coating

²⁾ Stainless steel case

Dimensions Shaft	Bore	Nominal seal width b	Clearance	Design and lip material	Designation
d ₁	D	b	B ₃		
in.				–	–
2.000 cont.	2.623	0.250	0.275	HM21 R	19763 ¹⁾
	2.623	0.250		HM21 V	19746 ¹⁾
	2.631	0.272		HMA94 R	20016 ²⁾
	2.635	0.234		HM14 R	19770 ¹⁾
	2.686	0.250		HM21 R	19783 ¹⁾
	2.750	0.250		HM21 R	19834 ¹⁾
	2.752	0.188		HM14 R	19820 ¹⁾
	2.875	0.250		HM21 R	19880 ¹⁾
	2.965	0.313		HM14 R	19940 ¹⁾
	2.965	0.500		HM14 R	19938 ¹⁾
	2.997	0.250		HM21 R	19965
	3.000	0.250		HM21 R	20006 ¹⁾
	3.061	0.250		HM21 R	20044 ¹⁾
	3.148	0.250		HM14 R	20078
	3.623	0.250		HM21 R	20148
2.063	3.149	0.500	TL6 D	20672 ¹⁾³⁾	
	3.150	0.266	TL7 R	20674	
2.094	2.718	0.359	0.160	HM18 R	20952 ¹⁾
	2.750	0.250		HM21 R	20920 ¹⁾
2.125	2.750	0.250	HM21 R	21059 ¹⁾	
	2.875	0.250	HM14 R	21101 ¹⁾	
	2.891	0.250	HM14 R	21121 ¹⁾	
	3.000	0.250	HM21 R	21159 ¹⁾	
	3.061	0.250	HM21 R	21208 ¹⁾	
3.189	0.250	HM21 R	21265 ¹⁾		
2.240	3.189	0.610	HM14 R	22614 ¹⁾	
	2.625	0.188	HM14 R	22306 ¹⁾	
2.250	2.875	0.250	HM21 R	22325	
	3.000	0.250	HM21 R	22368 ¹⁾	
	3.061	0.250	HM21 R	22392	
	3.125	0.563	0.214	HM18 R	22411
	3.251	0.250		HM21 R	22468
3.440	0.250	HM14 R	22565 ¹⁾		
2.297	3.148	0.359	0.185	HM18 R	22870
2.313	3.000	0.250	HM14 R	23035 ¹⁾	
	3.065	0.281	HM1 R	23098	
	3.500	0.250	HM21 R	23240 ¹⁾	
2.375	2.997	0.250	HM21 R	23630 ¹⁾	
	3.000	0.250	HM21 R	23640	
	3.350	0.250	HM21 R	23725 ¹⁾	
	3.543	0.250	HM21 R	23815 ¹⁾	
2.500	3.000	0.313	HM1 R	24865	
	3.000	0.250	HM14 R	24863 ¹⁾	
	3.125	0.250	HM21 R	24875 ¹⁾	
	3.150	0.250	HM21 R	24880 ¹⁾	
	3.251	0.250	HM21 R	24904 ¹⁾	
	3.500	0.250	HM21 R	25007 ¹⁾	

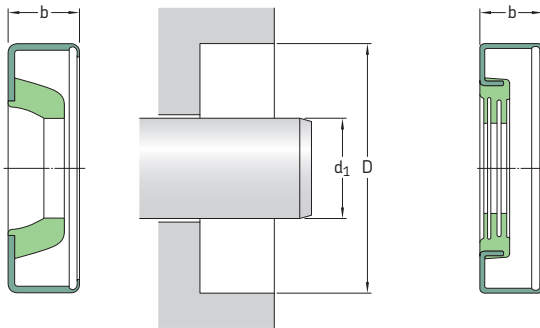
1) SKF Bore Tite Coating

2) Press-fit width 0.257 in.

3) Press-fit width 0.395 in.

Radial shaft seals – HM and TL seals – inch dimensions

d_1 2.625 – 9.500 in.



Please see **pages 74 to 76** for housing bore requirements.

Dimensions Shaft	Bore	Nominal seal width b	Clearance B_3	Design and lip material	Designation
d_1	D				
in.				–	–
2.625	3.371 3.623 3.751 3.813	0.250 0.250 0.715 0.415		HM14 R HM21 R TL4 RR TL5 R	26144 ¹⁾ 26260 ¹⁾ 26289 ²⁾ 26310 ³⁾
2.750	3.125 3.250 3.500 3.500 3.751	0.188 0.313 0.250 0.250 0.250		HM1 R HM1 R HM14 R HM14 V HM21 R	27210 27225 27271 ¹⁾ 546751 ¹⁾ 27394 ¹⁾
2.875	3.751 3.876 3.876 4.003	0.250 0.188 0.250 0.250		HM21 R HM1 R HM21 R HM21 R	28700 ¹⁾ 28725 ¹⁾ 28751 ¹⁾ 28800 ¹⁾
2.953	4.724	0.320		TL1 R	29852 ¹⁾
3.000	3.500 3.623 3.751 4.000 4.003 4.249	0.313 0.250 0.250 0.250 0.250 0.250		HM1 R HM14 R HM21 R HM21 V HM21 R HM21 R	29840 29850 29863 ¹⁾ 539075 29968 30049 ¹⁾
3.125	3.751 4.125	0.250 0.250		HMA1 R HMA1 R	31129 ¹⁾ 31192
3.250	3.750 4.249 4.501	0.250 0.250 0.250		HMA1 R HM14 R HM21 R	32325 ¹⁾ 32412 ¹⁾ 32510 ¹⁾

¹⁾ SKF Bore Tite Coating

²⁾ Press-fit width 0.640 in.

³⁾ Press-fit width 0.300 in.

Dimensions Shaft	Bore	Nominal seal width b	Clearance B ₃	Design and lip material	Designation
d ₁	D				
in.				–	–
3.500	4.000 4.003	0.300 0.250		HM1 R HM14 R	34835 34840¹⁾
	4.125 4.125	0.250 0.250		HM14 R HM14 V	34848 546770¹⁾
	4.450 4.501 4.751	0.531 0.250 0.250		HM12 R HM21 R HM21 R	34885 34967 35042¹⁾
3.750	4.376 4.376	0.250 0.250		HM14 R HM14 V	37320¹⁾ 37325¹⁾
4.000	4.501 4.501 4.876 4.999	0.250 0.250 0.250 0.250		HM14 R HM14 V HM21 R HM21 R	39835¹⁾ 546387¹⁾ 39860¹⁾ 39961¹⁾
4.250	4.813 5.126 5.251	0.313 0.250 0.250		HM14 R HM21 R HM21 R	42340 42380¹⁾ 42470¹⁾
4.500	5.501	0.250		HM14 R	45025
4.750	5.375	0.313		HM14 R	47378¹⁾
4.875	5.501	0.250		HM14 R	48650
5.000	6.250	0.250		HM21 R	50070¹⁾
5.250	6.250	0.250		HM4 R	52475
5.750	6.375 7.003	0.250 0.250		HMA1 R HMA21 R	57502 57571
6.000	7.500	0.250		HM4 R	60075
6.374	8.749	0.421		HMA96 R	181948
7.938	8.750	0.344		HM14 R	79302
9.500	10.750	0.313		HM21 R	95052

¹⁾ SKF Bore Tite Coating

Radial shaft seals

X seals, sealing against housing bore

SKF offers an assortment of radial shaft seals that have a press fit on the shaft and with sealing lip(s) that contact the housing bore. For a proper press fit, the requirements specified for housing bores on **pages 74 to 76** should be adhered to for the shaft. Shaft requirements specified on **pages 70 to 72** apply for the housing bore when using X seals. These seals are generally installed with the sealing lip(s) facing outward to provide optimum exclusion. Main applications are greased lubricated agriculture machinery. The selection to the right shows the most commonly used SKF designs. Contact SKF for more information on available designs.

See **matrix 1** on **pages 90 and 91** for general permissible operating conditions.

X1



X2



X4



X12



X13



X14



X15

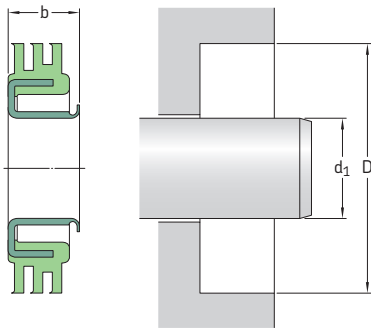


XH15



Radial shaft seals – X seals – metric dimensions

d_1 25,40 – 82,55 mm

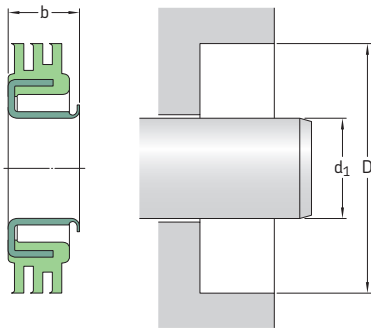


For proper press fit on shaft, refer to housing bore tolerances specified on **pages 74 to 76**.

Dimensions Shaft	Bore D	Nominal seal width b	Design and lip material	Designation
d_1	D	b		
mm			–	–
25,40	59,84	6,86	X15 R	538266
38,10	55,55	12,70	X1 L	14896
	58,06	6,86	X15 R	14970
	58,06	10,67	XH15 R	14971
	62,53	7,37	X13 R	15174
39,70	56,82	7,37	X4 R	15530
	64,29	7,24	X15 R	15660
	69,85	11,13	XR	15702
41,28	62,53	6,35	X15 R	16286
42,88	67,31	7,37	X4 R	16818
44,45	69,04	7,47	X4 R	17485
	70,76	7,47	X15 R	17620
46,05	61,16	7,62	X15 R	18030
47,57	68,99	7,14	X13 R	18630
50,57	73,66	7,37	X4 R	19720
50,80	71,17	6,35	X15 D	19844
	73,03	6,50	XHMR	19882
53,98	82,55	6,86	X15 R	21298
57,15	86,36	7,47	X15 R	22563
63,40	93,27	7,95	X15 R	25078
76,20	101,60	12,70	X2 L	29900
	114,94	9,53	X12 R	30108
80,00	101,45	15,00	X15 R	31514
82,55	113,49	8,00	X4 R	32437
	114,30	7,95	X15 R	32441

Radial shaft seals – X seals – metric dimensions

d_1 86,36 – 158,75 mm



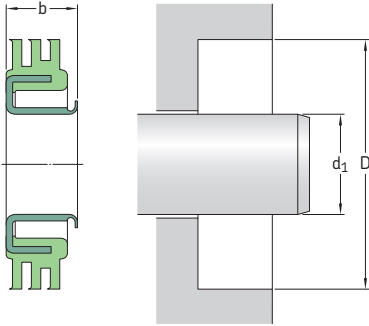
For proper press fit on shaft, refer to housing bore tolerances specified on **pages 74 to 76**.

Dimensions Shaft	Bore	Nominal seal width b	Design and lip material	Designation
d_1	D			
mm			–	–
86,36	114,30	7,14	X14 V	34000¹⁾
92,08	114,30	7,47	X15 R	36172
98,43	136,91	9,53	X12 R	38590
101,60	147,65	12,70	X R	40131
111,13	136,47	14,48	X1 P	44269
114,30	152,78 162,79	13,97 10,54	X12 R X12 D	44892 45161
120,65	152,45	7,62	X15 R	47455
139,70	172,21	9,65	X R	55152
158,75	196,85	8,89	X R	62530

¹⁾ SKF Bore Tite Coating on inside diameter

Radial shaft seals – X seals – inch dimensions

d_1 1.000 – 3.250 in.



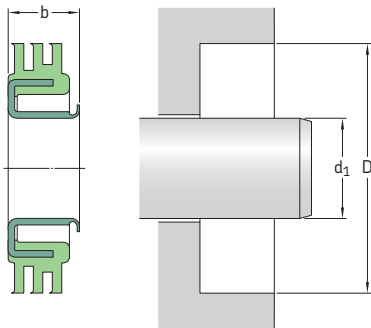
2.7

For proper press fit on shaft, refer to housing bore tolerances specified on **pages 74 to 76**.

Dimensions Shaft	Bore	Nominal seal width b	Design and lip material	Designation
d_1	D			
in.			–	–
1.000	2.356	0.270	X15 R	538266
1.500	2.187	0.500	X1 L	14896
	2.286	0.270	X15 R	14970
	2.286	0.420	XH15 R	14971
	2.462	0.290	X13 R	15174
1.563	2.237	0.290	X4 R	15530
	2.531	0.285	X15 R	15660
	2.684	0.438	XR	15702
1.625	2.462	0.250	X15 R	16286
1.688	2.650	0.290	X4 R	16818
1.750	2.718	0.294	X4 R	17485
	2.786	0.294	X15 R	17620
1.813	2.408	0.300	X15 R	18030
1.873	2.716	0.281	X13 R	18630
1.991	2.900	0.290	X4 R	19720
2.000	2.802	0.250	X15 D	19844
	2.875	0.256	XHMR	19882
2.125	3.250	0.270	X15 R	21298
2.250	3.400	0.294	X15 R	22563
2.496	3.672	0.313	X15 R	25078
3.000	4.000	0.500	X2 L	29900
	4.525	0.375	X12 R	30108
3.150	3.994	0.591	X15 R	31514
3.250	4.468	0.315	X4 R	32437
	4.500	0.313	X15 R	32441

Radial shaft seals – X seals – inch dimensions

d_1 3.400 – 6.250 in.



















For proper press fit on shaft, refer to housing bore tolerances specified on **pages 74 to 76**.

Dimensions Shaft	Bore	Nominal seal width b	Design and lip material	Designation
d_1	D			
in.			–	–
3.400	4.500	0.281	X14 V	34000¹⁾
3.625	4.500	0.294	X15 R	36172
3.875	5.390	0.375	X12 R	38590
4.000	5.813	0.500	X R	40131
4.375	5.373	0.570	X1 P	44269
4.500	6.015 6.409	0.550 0.415	X12 R X12 D	44892 45161
4.750	6.002	0.300	X15 R	47455
5.500	6.780	0.380	X R	55152
6.250	7.750	0.350	X R	62530

¹⁾ SKF Bore Tite Coating on inside diameter

Radial shaft seals

Seals for heavy industrial applications, selected main designs, self-retaining (open housing)














Standard design (preferred design)	Other basic designs		Material code	Operating temperature range				Pressure differential
				from		to		
				–	°C	–	°F	
 HDS7	 HDS6		R D H V (HDS6 only)	–40 –40 –40 –40	+100 +100 +150 +200	–40 –40 –40 –40	+210 +210 +300 +390	0
 HDL	 HDLA		R H V	–40 –40 –40	+100 +150 +200	–40 –40 –40	+210 +300 +390	0,1 (15)
 SBF			R V	–40 –40	+100 +200	–40 –40	+210 +390	0,1 (15)
 HDS2	 HDS1	 HDS4	R D H V	–40 –40 –40 –40	+100 +100 +150 +200	–40 –40 –40 –40	+210 +210 +300 +390	0,1 (15)
 HDSA2	 HDSA1	 HDSB2	R D H V	–40 –40 –40 –40	+100 +100 +150 +200	–40 –40 –40 –40	+210 +210 +300 +390	0,1 (15)
	 HDSB1							
 HDS2E	 HDS1E	 HDS2D	R D H V	–40 –40 –40 –40	+100 +100 +150 +200	–40 –40 –40 –40	+210 +210 +300 +390	0,1 (15)
	 HDS01							

Shaft-to-bore misalignment (STBM) TIR	Dynamic runout (DRO) TIR	Maximum shaft surface speed	Ease of installation	Retention and exclusion ability
mm (in.)	mm (in.)	m/s (ft/min)	–	–
1,6 (0.062)	2,4 (0.093)	25 (4 900)	Excellent	Highly effective exclusion of water and solid contaminants and excellent retention of grease
2,5 (0.1)	2,4 (0.093)	24 (4 700) 25 (4 900) 35 (6 900)	Good	Excellent retention of light oils, even at high surface speeds and misalignment
1,5 (0.06)	2,4 (0.093)	25 (4 900)	Excellent	Excellent oil or grease retention
1,6 (0.062)	2,4 (0.093)	25 (4 900)	HDS2, HDS4: Excellent HDS1: Good	Excellent oil or grease retention
1,6 (0.062)	2,4 (0.093)	25 (4 900)	Excellent to good, varies with equipment design	HDSA/B: Excellent oil or grease retention and exclusion of light to moderate contaminants
1,6 (0.062)	2,4 (0.093)	25 (4 900)	HDSD2/HDSE2: Excellent HDSD1/HDSE1: Good	Excellent oil or grease retention and exclusion of light to moderate contaminants or separation of two media Good grease retention, increased protection against contaminants

Continued →

Radial shaft seals

Seals for heavy industrial applications, selected main designs, axially compressed (housing with cover plate)

Standard design (preferred design)	Other basic designs		Material code	Operating temperature range				Pressure differential
				from		to		
				°C	°F	°C	°F	
 HS5	 HS4		R D H V	-40 -40 -40 -40	+100 +100 +150 +200	-40 -40 -40 -40	+210 +210 +300 +390	0,07 (11)
 HS8	 HS6	 HS7	R D H V	-40 -40 -40 -40	+100 +100 +150 +200	-40 -40 -40 -40	+210 +210 +300 +390	0
 HSF5	 HSF6	 HSF7	R V	-40 -40	+100 +100	-40 -40	+210 +390	0,03 (5)
	 HSF8	 HSF9						
 HSF1	 HSF2	 HSF3	R V	-40 -40	+100 +200	-40 -40	+210 +390	0
	 HSF4							

Shaft-to-bore misalignment (STBM) TIR	Dynamic runout (DRO) TIR	Maximum shaft surface speed	Ease of installation	Retention and exclusion ability
mm (<i>in.</i>)	mm (<i>in.</i>)	m/s (<i>ft/min</i>)	–	–
1,6 (0.062)	2,4 (0.093)	HS4: 15 (2 950) HS5: 13 (2 560)	Good	HS4, HS5: Good oil retention
1,6 (0.062)	2,4 (0.093)	HS6: 10 (1 970) HS7: 7,5 (1 480) HS8: 10 (1 970)	HS6: Fair HS7: Excellent HS8: Good	HS6, HS8: Good to excellent oil or grease retention HS7: Good (grease retention only)
1,5 (0.06)	2,4 (0.093)	15 (2 950) depending on the operating conditions	Good to excellent	Excellent oil retention
1,5 (0.06)	2,4 (0.093)	15 (2 950) depending on the operating conditions	Fair to good depending on the available space for installation	Good to excellent oil retention

Seals for heavy industrial applications

General

Heavy industries like metal, construction, wind energy, forestry, mining and pulp and paper provide a challenging environment for radial shaft seals. Operating within a wide range of speeds, temperatures and environmental conditions, these seals need to reliably retain lubricants while preventing harsh contaminants from entering the system.

SKF seals for heavy industrial applications are available in a wide assortment of designs and materials to meet the varying demands of each challenging application. The assortment includes heavy-duty metal-cased seals, rubber outside diameter seals with metal inserts or fabric-reinforcement and all-rubber seals. To simplify seal selection, **table 18** on **page 213** can be used for general guidance. See also **matrix 2** on **pages 198 to 201**.

Metal-cased seals

General

SKF metal-cased seals are specially designed to withstand the extreme conditions encountered in heavy-duty applications. The designs include the highly engineered HDS7, the high-performance HDL seals and the commonly used HDS1 and HDS2 seals as well as the HDSA, B, C, D and E seals. These seals perform exceptionally well in the very contaminated environment of metal rolling mills, the high-speed and high-temperature environment of paper mills, as well as more universal applications like industrial gearboxes.

HDS7

The ingress of water and solid contaminants is a common cause of bearing failures. To solve this, SKF developed the HDS7 seal with enhanced exclusion capabilities (→ **fig. 33**). It was originally designed for grease lubricated bearings in rolling mill stands, where water and scale are a constant threat to bearing service life. The HDS7 is also recommended for use in large gearboxes, coal pulverizers and cement grinders. Customers have reported that the HDS7 seal is easier to install and provides longer service life than similar seal designs.



The HDS7 seal features an optimized non-spring-loaded lip profile, designed to retain grease and aggressively pump contaminants away from the lip. The lip concept of HDS7 seals also reduces radial loads, which otherwise can lead to elevated underlip temperatures and increased seal wear. HDS7 seals are installed with the sealing lip facing the air side. The HDS7 can also be used in oil lubricated applications in back-to-back arrangements with a spring-loaded seal design, e.g. an HDS1 or HDS2 (→ **figs. 35 and 36**), in the includer position.

HDS7 seals can also be equipped with a PTFE auxiliary lip positioned and directed as shown in **fig. 42** on **page 206** and/or with an elastomer applied to the metal outside diameter (→ **fig. 43** on **page 206**).

The HDS7 seal is available with a nitrile sealing lip for general use, SKF Duralip for increased wear resistance in abrasive environments and SKF Duratemp that combines improved wear resistance with increased temperature capability. For certain applications, SKF Duralife can also be specified. See **page 30** for additional information about different sealing lip materials.

Spacer lugs are available as an option. See **page 211** for additional information.

HDS7 seals are available for all shaft diameters within the ranges listed in **table 19** on **page 214**. The product tables, starting on **page 216**, list a selection of sizes. Contact your SKF sales representative for additional information.

HDL seals

HDL seals (→ **fig. 34**) are premium metal-cased radial shaft seals for oil lubricated applications. They are specially designed for tough operating conditions including high speeds and temperatures, considerable runout and/or misalignment. The high-speed performance characteristics of HDL seals make them an excellent choice for the severe operating conditions encountered in the rolls of paper-making machines.

HDL seals feature the combination of a stainless steel garter spring and individual stainless steel finger springs around the entire circumference of the seal. This spring combination enables the seal to work effectively and provides long service life, even under severe operating conditions.

HDLA seals are designed with an elastomeric auxiliary lip for added protection against contaminants.

Both HDL and HDLA seals are available with a sealing lip made of either nitrile rubber, hydrogenated nitrile rubber or fluoro rubber (→ **page 31**). These materials enable the seals to perform well under a variety of operating speeds and temperatures. Fixed-width spacer lugs are available for both HDL and HDLA seals on a quotation basis.

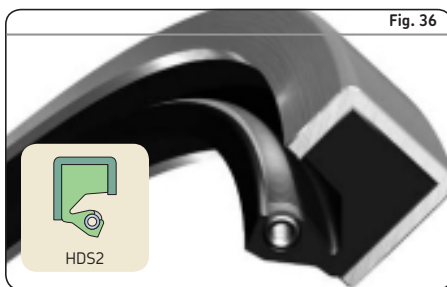
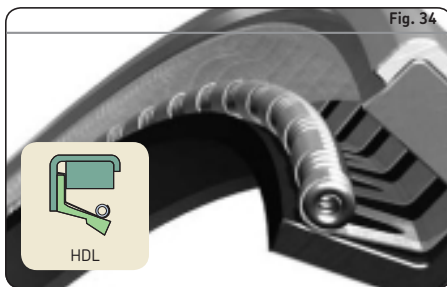
A selection of available sizes is listed in the product tables starting on **page 226**. Contact your SKF sales representative for additional information regarding availability.

HDS1 and HDS2

The most commonly used metal-cased seals are the HDS1 and HDS2 seals, designed for general-purpose applications. They are equipped with a heavy-duty metal case and a stainless steel garter spring.

The HDS1 seal (→ **fig. 35**) has a spring installed in the SKF Springlock groove (→ **fig. 56** on **page 212**). For blind installations, where spring displacement may go undetected, HDS2 seals (→ **fig. 36**) have an SKF Springcover (→ **fig. 57** on **page 212**) that retains the spring in the groove. The HDS1 and HDS2 seals are available with adjustable or fixed-width spacer lugs (→ **page 211**).

The HDS1 and HDS2 seals can be designed with a PTFE auxiliary lip, positioned and directed in either of the two ways shown in **figs. 41** and **42** and/or with an elastomer applied to the metal outside diameter (→ **fig. 43** on **page 206**).



Nitrile rubber is standard for these seal designs, but both of them are also available in SKF Duralip, SKF Duratemp and SKF Duralife.

The HDS1 and HDS2 seals are available for all shaft diameters within the ranges listed in **table 19** on **page 214**. The product tables starting on **page 242** list a selection of sizes. Contact your SKF sales representative for additional information.

Radial shaft seals

HDSA and HDSB seals

HDSA and HDSB seals are designed with an elastomeric auxiliary lip in addition to the sealing lip (→ **figs. 37 to 38**). They are generally used where additional protection from contaminants is needed and where there is insufficient space for more than one seal.

The chamfer on the auxiliary lip of an HDSA seal faces the sealing lip, enabling easier shaft installation from the sealing lip direction. The chamfer of the auxiliary lip of HDSB seals faces away from the sealing lip, enabling easier shaft installation from the other direction. The disadvantage is, however, a slightly reduced exclusion ability.

HDSA2 and HDSB2 seals are designed with an SKF Springcover, while HDSA1 and HDSB1 seals are designed without an SKF Springcover (→ **fig. 57** on **page 212**).

HDSA and HDSB seals can also be designed with an elastomer applied to the metal outside diameter (→ **fig. 43** on **page 206**).

HDSA and HDSB seals are available with sealing lips made of nitrile rubber, SKF Duralip, SKF Duratemp or SKF Duralife. For shaft diameters up to 1 200 mm (47 in.), the standard auxiliary lip is made of SKF Duralip.

These seals are available for all shaft diameters within the ranges listed in **table 19** on **page 214**. Also, see the product tables starting on **page 264** for a selection of sizes. Contact your SKF sales representative for additional information.



HDSD and HDSE seals

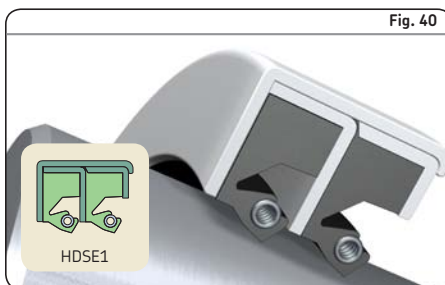
HDSD seals (→ **fig. 39**) are designed with two sealing lips facing opposite directions. These seals are typically used in applications where two fluids must be kept separated. When using an HDSD seal, it is very important to provide a means to lubricate the sealing lips. To do this, the cavity between the sealing lips must be filled with grease prior to installation and/or during operation via lubrication holes drilled through the metal case into the cavity.

HDSE seals (→ **fig. 40**) feature two sealing lips facing the same direction. They are typically used when a back-up seal would otherwise be needed for retention or exclusion purposes. Like HDSD seals, HDSE seals must be equipped with a means to lubricate the sealing lips so that the seal functions properly.

HDSD and HDSE seals are available with an SKF Springcover (HDSD2, HDSE2) or without an SKF Springcover (HDSD1, HDSE1) (→ **fig. 57** on **page 212**). All of them are available in nitrile rubber, SKF Duralip, SKF Duratemp or SKF Duralife.

HDSE seals can also be designed with a PTFE auxiliary lip positioned and directed in either of the two ways shown in **figs. 41** and **42** on **page 206**.

HDSD and HDSE seals are available for all shaft diameters within the ranges listed in **table 19** on **page 214**. The product tables starting on **page 272** list a selection of sizes. Contact your SKF sales representative for additional information.



Radial shaft seals

Additional design options

HDS1, HDS2, HDS7 and HDSE seals can be designed with an auxiliary PTFE lip to further protect the bearing and sealing lip(s) from dust particles in heavily contaminated environments, for example mining and cement industries. The PTFE lip is then positioned and directed as shown in **fig. 41**.

The PTFE lip can also be positioned and directed to provide additional lubricant retention (**→ fig. 42**).

The PTFE lip is clamped between the metal case and the rubber seal body without significantly increasing the total seal width. It has very good chemical and wear resistance, can withstand dry running and contributes to improved sealing performance while only generating a minimal friction torque. The combination of a PTFE auxiliary lip and a sealing lip made of the fluoro rubber compound SKF Duralife, developed by SKF, creates a particularly effective sealing solution.

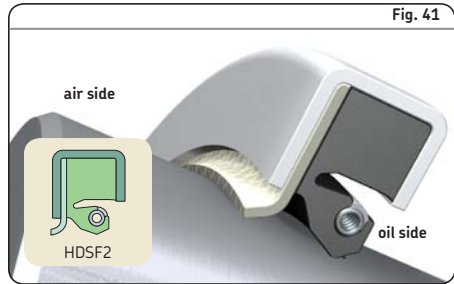
Special care must be taken to prevent damaging the PTFE lip during installation. Refer to instructions in paragraph *PTFE seals* on **page 85**.

The letters F and H in the product name indicate a PTFE auxiliary lip design including the lip's position and direction; see for example the HDSF2 (**→ fig. 41**) and HDSH2 (**→ fig. 42**).

HDS1, HDS2 and HDS7 seals (with or without an auxiliary PTFE lip) as well as the HDSA and HDSB seals are available with an elastomer applied to the outside diameter for use in applications where bore temperatures reach maximum 100 °C (210 °F) (**→ fig. 43**). This design feature has several important advantages:

- Compensates for imperfections in the housing bore surface, improving the sealing performance by minimizing bypass leakage.
- Prevents contaminants from entering through gaps between housing bore and the seal outside diameter at, for example, out-of-round conditions.
- Minimizes the risk of damage to the housing bore during installation and removal.

This design option is indicated by the letter K in the product name; see for example the HDS2K (**→ fig. 43**).



Rubber outside diameter seals

General

The assortment of SKF rubber outside diameter seals includes metal-inserted, fabric-reinforced and all-rubber designs. The fabric-reinforced and all-rubber seals are available in solid and split designs.

Rubber outside diameter seals offer a number of important operating and installation benefits and are especially suitable for split housings. The rubber prevents damage to the housing bore during installation, which otherwise can cause bypass leakage. Compared to metal-cased seals, rubber outside diameter seals can tolerate higher surface roughness in the housing bore. They also resist corrosion and do not seize in the bore, even years after installation.

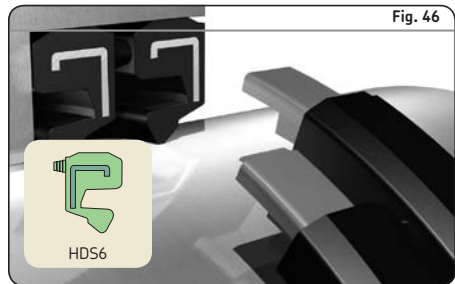
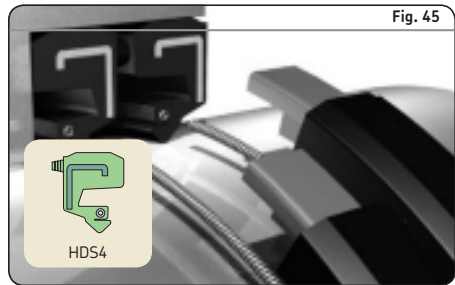
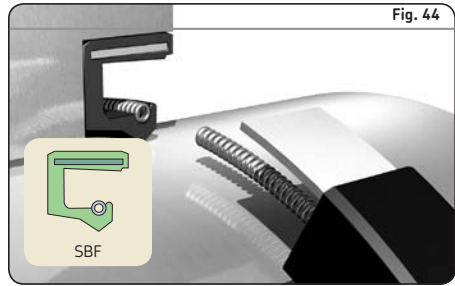
As a result of lower press-in forces, rubber outside diameter seals are often easier to install than metal-cased seals. They can be installed by hand or with simple tools even when the diameters are very large. This is especially true of the fabric-reinforced and all-rubber designs. Furthermore, in the case of split seals, there is no need to remove the shaft or other machine components when replacing the seal.

SBF metal-inserted seals

SBF seals (→ **fig. 44**) are spring-loaded and designed with a flexible metal stiffening ring that enables the seal to be installed without the use of a cover plate. SBF seals can be used as an upgrade to fabric-reinforced seals in many applications that are either grease or oil lubricated. SBF seals are available in both nitrile and fluoro rubber. A selection of available sizes is listed in the product tables starting on **page 274**. Contact your SKF sales representative for additional information regarding availability.

HDS4 and HDS6 metal-inserted seals

HDS4 seals (→ **fig. 45**) feature a patented moulded-in garter spring that cannot be displaced during installation. They also provide very good oil retention while minimizing wear on the shaft. HDS4 seals are typically used in the high-speed applications found in the pulp and paper industry. HDS6 seals (→ **fig. 46**) are similar in design to HDS4 seals but do not contain a garter spring. HDS6 seals are designed for grease retention.



Both types are made standard of nitrile rubber. They are also available in any of the sealing lip materials used for the metal-cased HDS seals. Both HDS4 and HDS6 seals are equipped with moulded 12,7 mm (0.5 in.) spacer lugs that can be trimmed or removed if necessary.

Contact your SKF sales representative for information regarding availability.

Radial shaft seals

HSF fabric-reinforced seals

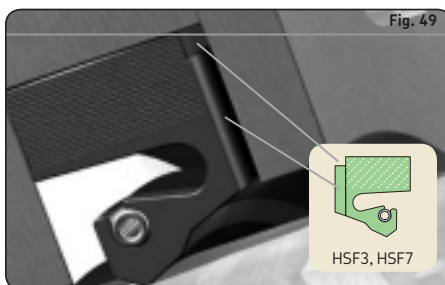
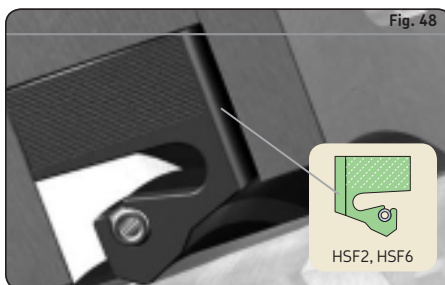
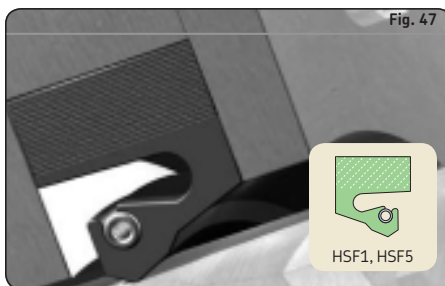
The spring-loaded HSF seal assortment consists of the HSF5, HSF6, HSF7 and HSF8 solid seals and their split versions, HSF1, HSF2, HSF3 and HSF4 seals (→ **figs. 47 to 49**). There is also a pressure profile seal, HSF9, available in the solid version only. These seals are mainly used in heavy-duty applications like gear drives, propeller shafts, cold and hot mill work rolls, pumps, paper machinery, etc.

HSF5, HSF6 and HSF7 seals have a strong, flexible, fabric-reinforced rubber back instead of a metal case. HSF5 seals have a basic single-lip design. HSF6 seals are equipped with radial lubrication grooves in the back of the seal and HSF7 seals include a circumferential lubrication groove. HSF4 and HSF8 seals are designed with an auxiliary lip for additional protection against contaminants.

Threaded spring connections are standard for all HSF seals (→ **fig. 54a on page 211**). For the split versions, a hook-and-eye connection can also be specified (→ **fig. 54b on page 211**).

All HSF seals are manufactured oversized relative to the housing bore diameter and depth to enable proper compression and stability. A cover plate is required to properly install and apply all HSF seals (→ **figs. 25 and 26 on pages 82 and 83**). The plate creates an axial preload to provide reliable static sealing performance. The plate should also avoid seal distortion during installation. HSF seals are available in nitrile rubber, hydrogenated nitrile rubber and fluoro rubber materials.

A selection of available HSF seal sizes is listed in the product tables starting on **page 276**. Contact your SKF sales representative for additional information regarding availability.



HS all-rubber seals

HS seals, available in solid and split executions, are all-rubber seals, designed without any re-inforcement. They are manufactured oversized relative to the housing bore diameter and depth to enable proper compression and stability. A cover plate (→ **figs. 25 and 26 on pages 82 and 83**) is required to compress the seal axially, helping to stabilize the seal in the housing bore.

A stainless steel garter spring located in the SKF Springlock groove (→ **fig. 56 on page 212**) provides the appropriate radial load against the shaft.

For certain applications, HS seals are also available with an auxiliary lip and/or band clamp. Contact SKF for more information.

HS seals are available in nitrile rubber, SKF Duralip, SKF Duratemp or SKF Duralife for all shaft diameters within the ranges listed in **table 20 on page 215**. Also, see the product tables starting on **page 302** for a selection of sizes. Contact your SKF sales representative for additional information.

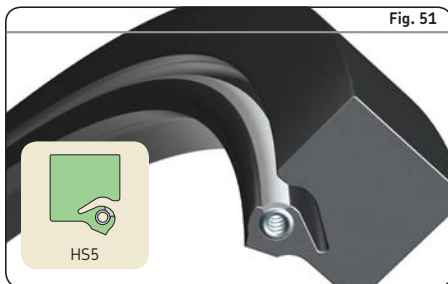
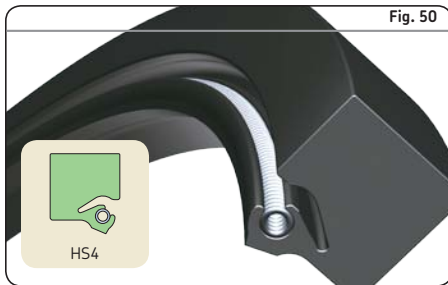
HS solid seals

Standard solid HS seals can accommodate shaft diameters starting at 165 mm (6.5 in.) but basically do not have an upper size limit.

HS4 seals (→ **fig. 50**) have a solid, all-rubber design and incorporate a spring-loaded sealing lip. They feature an SKF Springlock groove (→ **fig. 56 on page 212**) and are suitable for both vertical and horizontal shafts. For a proper fit in the housing bore, a cover plate is required (→ **figs. 25 and 26 on pages 82 and 83**).

HS5 seals (→ **fig. 51**) have the same basic design as HS4 seals with the addition of an SKF Springcover (→ **fig. 57 on page 212**) to hold the spring in place during installation and protect it from contaminants.

Both designs have a threaded spring connection (→ **fig. 54a on page 211**).



Radial shaft seals

HS split seals

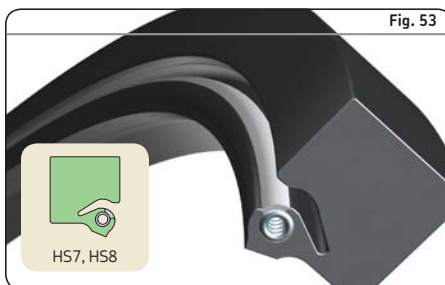
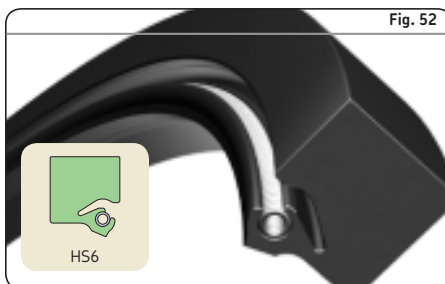
In applications where shaft removal is impractical, HS all-rubber split seals are an excellent choice. They are simply placed around the shaft and pushed into the housing bore with the split at the 12 o'clock position. A cover plate must be used to compress the seal axially to stabilize it in the housing bore.

HS split seals perform best with grease or high-viscosity lubricants. However, low-viscosity lubricants are also suitable if the level of lubricant is kept below the shaft centre line, which is particularly important at considerable surface speeds. Split seals are preferably used on horizontal shafts, but can also be used on vertical shafts in grease lubricated applications.

HS6 seals (→ **fig. 52**) are designed with a spring-loaded sealing lip and an SKF Springlock (→ **fig. 56** on **page 212**). They feature a separate loose spring and a hook-and-eye spring connection for shaft diameters above 455 mm (18 in.) unless otherwise specified (→ **fig. 54b** on **page 211**). Other sizes of HS6 seals come with a threaded spring connection. For a proper fit in the housing bore, a cover plate is required (→ **figs. 25** and **26**, on **pages 82** and **83**).

HS7 seals (→ **fig. 53**), designed for grease lubricated applications only, have a spring-loaded sealing lip and are designed with both an SKF Springlock and SKF Springcover (→ **figs. 56** and **57** on **page 212**). All HS7 seals feature a control-wire spring connection (→ **fig. 54c** on **page 211**). The spring is completely enclosed and the connection is made by running the control wire into the centre of the spring coil across the split (butt joint). A built-in spring tension holds the sealing lip on the shaft. For a proper fit, a cover plate is required. Due to the unique design that enables easier installation, a gap may occur at the joint even after the cover plate is installed. It is necessary that the split be placed at the 12 o'clock position during installation. HS7 seals do not have the high-performance characteristics of other HS seals, but are the easiest to install.

HS8 seals (→ **fig. 53**) are designed with a spring-loaded sealing lip, SKF Springlock, SKF Springcover (→ **figs. 56** and **57** on **page 212**) and a hook-and-eye spring connection (→ **fig. 54b** on **page 211**) for shaft diameters above 455 mm (18 in.). Other sizes of HS8 seals come with a threaded spring connection. The spring is entirely enclosed except for a small



portion on either side of the split. HS8 seals provide the most effective sealing performance of all split HS seals and are the preferred design for retaining low-viscosity lubricants and for water exclusion. HS8 seals perform best on horizontal shafts, but can also be used on vertical shafts provided they are not flooded with lubricant. For a proper fit, a cover plate is required.

Reinforced all-rubber HSS seals

SKF also offers a range of reinforced all-rubber seals in nitrile rubber (NBR), SKF Duratemp (HNBR) and SKF Duralife (FKM). The standard grade of the material is used for the sealing lip, while the part of the seal body contacting the housing bore is made from a harder grade to provide improved stability in operation and during installation. For further information, refer to publication *Reinforced all-rubber HSS seals*.

Additional design features

Spring connections

There are different ways to connect the stainless steel garter springs of HS and HSF seals. A threaded spring connection (→ **fig. 54a**) is used for all HSF seals unless otherwise specified and for the solid HS4 and HS5 seals as well as the split HS6 and HS8 seals for shaft diameters ≤ 455 mm (18 in.). A hook-and-eye spring connection (→ **fig. 54b**) is used for HS6 and HS8 seals for shaft diameters > 455 mm (18 in.). All HS7 seals feature the special control-wire connection (→ **fig. 54c**), available only for these seals.

Spacer lugs

Spacer lugs are available for all metal-cased designs to separate seals in tandem or back-to-back arrangements to provide space for sealing lip lubrication (→ **fig. 55**).

Traditional fixed-width lugs for metal-cased HDS seals are 9,5 mm (0.375 in.) in diameter and are available in widths from 3,2 mm (0.125 in.) to 12,7 mm (0.5 in.) in increments of 1,6 mm (0.063 in.). The fixed-width lug is an available option for all metal-cased seals.

All standard adjustable lugs are 9,5 mm (0.375 in.) in diameter and 9,5 mm (0.375 in.) in width. They can be adjusted to smaller widths in 1,6 mm (0.063 in.) increments by removing the steel washers. The lugs may also be removed entirely. Longer, adjustable lugs, with a width of 12,7 mm (0.5 in.), are available on request, however, it can be more difficult to reduce their width.

Certain small seal cross sections may require special small diameter lugs, 5,3 mm (0.210 in.), with a width range of 1,6 to 3,2 mm (0.063 to 0.125 in.).

The lugs are placed around the heel of the seal in four, six or eight equally spaced locations, depending on the seal outside diameter (→ **table 17**).

Fixed-width lugs are available for HDL seals on request.

Fig. 54

Spring connections

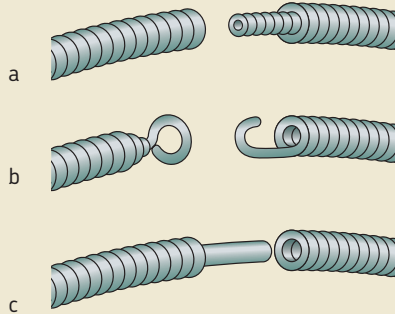


Fig. 55

Spacer lugs

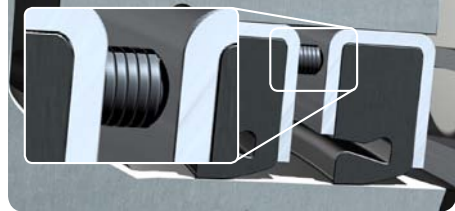


Table 17

Number of spacer lugs needed

Spacer lugs	Housing bore diameter			
	from	incl.	from	incl.
–	mm		in.	
4		762		30
6	762	1 143	30	45
8	1 143		45	

Radial shaft seals

SKF Springlock

The SKF Springlock is a sealing lip feature that surrounds 270° of the garter spring diameter (→ fig. 56). It helps hold the spring in position during installation and is standard on all HS seals and spring-loaded, metal-cased HDS seals.

SKF Springcover

For blind installations, where spring displacement may go undetected, the SKF Springcover (→ fig. 57) can be specified. It also protects the spring from dirt, water and other contaminants. SKF Springcover is flexible and covers the exposed portion of the stainless steel garter spring without adversely affecting the spring's capability.

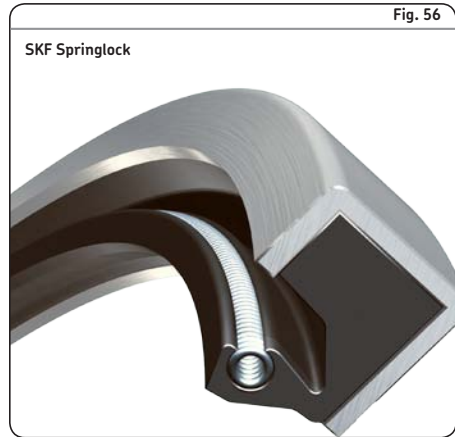


Table 18

Seals for heavy industrial applications, selection guide per application

Application	General machinery Industrial gearboxes	Rolling mills, metals Hot strip mills Cold rolled plate mills Industrial gearboxes	Industrial gearboxes General machinery Rolling mills, paper mills	Special machinery Crushers, shredders, bailers, etc.
Type	General purpose	Water/scale exclusion	High speed	High Dynamic Runout (DRO) or Shaft-To-Bore Misalignment (STBM)
HDS1-2, HDS-D-E	3	2	1	2
HDS4, 6	3	2	3	2
HDS7	2	3	1	2
HDSA-B	3	2	1	2
HDL	2	2	3	3
HS4-8	2	1	1	2
SBF, HSF1-9	3	2	1	2

1 = Good solution 2 = Better solution 3 = Best solution

Table 19

Standard sections for metal-cased HDS seal designs

Designs with metal outside diameter	Shaft diameter		Bore diameter		Nominal seal width		Difference between bore and shaft diameter	
	from	to	from	to	from	to	from	to
	mm/in.		mm/in.		mm/in.		mm/in.	
HDS7	165,10 6.500	1 606,55 63.250	196,85 7.750	1 638,30 64.500	15,88 0.625	31,75 1.250	31,75 1.250	63,50 2.500
HDSH7	165,10 6.500	1 606,55 63.250	196,85 7.750	1 638,30 64.500	19,99 0.787	31,75 1.250	31,75 1.250	63,50 2.500
HDS1-3, HDSF1-3	165,10 6.500	1 606,55 63.250	196,85 7.750	1 638,30 64.500	15,88 0.625	31,75 1.250	31,75 1.250	76,20 3.000
HDSH1-3	165,10 6.500	1 606,55 63.250	196,85 7.750	1 638,30 64.500	19,99 0.787	31,75 1.250	31,75 1.250	76,20 3.000
HDSA1-2, HDSB1-2	165,10 6.500	1 189,74 46.840	196,85 7.750	1 219,20 48.000	21,36 0.841	38,10 1.500	31,75 1.250	76,20 3.000
HDS1-2, HDSE1-2, HDSEF1-2	165,10 6.500	1 603,50 63.130	202,18 7.960	1 638,30 64.500	30,89 1.216	50,80 2.000	37,08 1.460	76,20 3.000
HDSEH1-2	165,10 6.500	1 603,50 63.130	202,18 7.960	1 638,30 64.500	39,98 1.574	50,80 2.000	37,08 1.460	76,20 3.000

Designs with an elastomer applied to the outside diameter	Shaft diameter		Bore diameter		Nominal seal width		Difference between bore and shaft diameter	
	from	to	from	to	from	to	from	to
	mm/in.		mm/in.		mm/in.		mm/in.	
HDS7K	165,10 6.500	1 606,55 63.250	201,62 7.938	1 643,08 64.688	15,88 0.625	31,75 1.250	36,52 1.438	76,20 3.000
HDSH7K	165,10 6.500	1 606,55 63.250	201,62 7.938	1 643,08 64.688	19,99 0.787	31,75 1.250	36,52 1.438	76,20 3.000
HDS1-3K, HDSF1-3K	165,10 6.500	1 606,55 63.250	201,62 7.938	1 643,08 64.688	15,88 0.625	31,75 1.250	36,52 1.438	76,20 3.000
HDSH1-3K	165,10 6.500	1 606,55 63.250	201,62 7.938	1 643,08 64.688	19,99 0.787	31,75 1.250	36,52 1.438	76,20 3.000
HDSA1-2K, HDSB1-2K	165,10 6.500	1 606,55 63.250	201,62 7.938	1 643,08 64.688	15,88 0.841	31,75 1.250	36,52 1.438	76,20 3.000

Not all cross sections and widths are possible with every shaft diameter. Contact SKF for information on dimensions at the extreme limits or for sizes outside the standard range.

Size options of metal-cased HDS seals and all-rubber HS seals

All SKF metal-cased HDS seals and all-rubber HS seals are made upon order in any inch or metric size within the ranges listed in **tables 19** and **20**. Since new sizes are manufactured without additional tooling, they can be supplied without extended lead times. The product tables starting on **page 216** and **302**, respectively, list a selection of sizes. For any size that is not listed in the product tables, contact your SKF distributor or SKF sales representative.

Table 20

Standard size options of HS seals

Shaft diameter ¹⁾		Bore diameter ²⁾		Bore depth ³⁾		Difference between bore and shaft diameter	
from	to	from	to	from	to	from	to
mm/in.		mm/in.		mm/in.		mm/in.	
165,10 6.500	4 572,00 180.000	190,50 7.500	4 597,40 181.000	12,70 0.500		25,40 1.000	
165,10 6.500	4 572,00 180.000	195,10 7.681	4 602,00 181.181	12,70 0.500	19,99 0.787	30,00 1.181	50,80 2.000
330,20 13.000	4 572,00 180.000	368,30 14.500	4 610,10 181.500	16,51 0.650	25,40 1.000	38,10 1.500	63,50 2.500

¹⁾ Tolerance h11

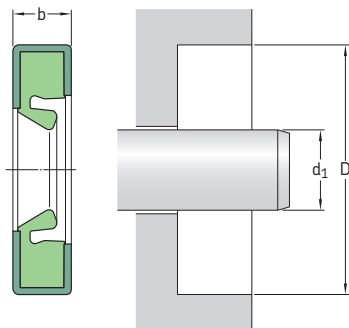
²⁾ Tolerance H8

³⁾ Tolerance $\pm 0,13$ mm (0.005 in.)

Not all cross sections and widths are possible with every shaft diameter. Contact SKF for information on dimensions at the extreme limits or on sizes outside the standard range.

Radial shaft seals – HDS7 – metric dimensions

d_1 200 – 1 250 mm



The table includes only a selection of sizes. For the full size range, please refer to **table 19** on **page 214**.

Please see **pages 74 to 76** for housing bore requirements.

Dimensions Shaft	Bore	Nominal seal width	Design	Lip material	Designation
d_1	D	b			
mm			–	–	–
200	230	15	HDS7	R	200×230×15 HDS7 R
210	240	18	HDS7	D ¹⁾	210×240×18 HDS7 D ¹⁾
220	250	15	HDS7	R	220×250×15 HDS7 R
230	260	15	HDS7	R	230×260×15 HDS7 R
235	270	15	HDS7	H	235×270×15 HDS7 H
	270	16	HDS7	H	235×270×16 HDS7 H
260	300	16	HDS7	R	260×300×16 HDS7 R
290	350	25	HDS7	R	290×350×25 HDS7 R
300	340	18	HDS7	R	300×340×18 HDS7 R
	340	20	HDS7	R	300×340×20 HDS7 R
	344	20	HDS7	R	300×344×20 HDS7 R
310	350	20	HDS7	R	310×350×20 HDS7 R
320	380	28	HDS7	R	320×380×28 HDS7 R
330	370	20	HDS7	R	330×370×20 HDS7 R
346	375	15	HDS7	R	346×375×15 HDS7 R
360	404	20	HDS7	R	360×404×20 HDS7 R
364	406	17	HDS7	D	364×406×17 HDS7 D
400	444	20	HDS7	R	400×444×20 HDS7 R
432	463	17	HDS7	R	432×463×17 HDS7 R
440	480	20	HDS7	R	440×480×20 HDS7 R
450	510	25	HDS7	R	450×510×25 HDS7 R

¹⁾ 12,7 mm adjustable spacer lugs (4)

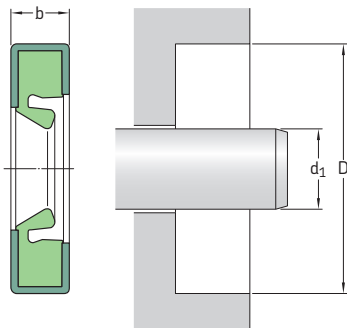
Dimensions Shaft d_1	Bore D	Nominal seal width b	Design	Lip material	Designation
mm			–	–	–
461	495	20	HDS7	H	461x495x20 HDS7 H
470	530 530	25 28	HDS7 HDS7	R R	470x530x25 HDS7 R 470x530x28 HDS7 R
500	550	20	HDS7	D	500x550x20 HDS7 D²⁾
515	555	20	HDS7	R	515x555x20 HDS7 R
520	570	22	HDS7	R	520x570x22 HDS7 R
530	580 580	20 22	HDS7 HDS7	D R	530x580x20 HDS7 D²⁾ 530x580x22 HDS7 R
542	578	16	HDS7	D	542x578x16 HDS7 D¹⁾
560	604 610 610 620	20 20 22 29,34	HDS7 HDS7 HDS7 HDS7	R R R R	560x604x20 HDS7 R 560x610x20 HDS7 R 560x610x22 HDS7 R 560x620x29 HDS7 R
590	630 640	20 20	HDS7 HDS7	D R	590x630x20 HDS7 D²⁾ 590x640x20 HDS7 R
610	660	25	HDS7	R	610x660x25 HDS7 R
640	690	25	HDS7	R	640x690x25 HDS7 R
647	700	25	HDS7	H	647x700x25 HDS7 H
720	784	23	HDS7	R	720x784x23 HDS7 R
760	810	25	HDS7	R	760x810x25 HDS7 R
1 250	1 314	21,54	HDS7	R	1250x1314x22 HDS7 R

¹⁾ 12,7 mm adjustable spacer lugs (4)

²⁾ 12,7 mm adjustable spacer lugs (6)

Radial shaft seals – HDS7 – inch dimensions

d_1 6.750 – 15.359 in.



The table includes only a selection of sizes. For the full size range, please refer to **table 19** on **page 214**.

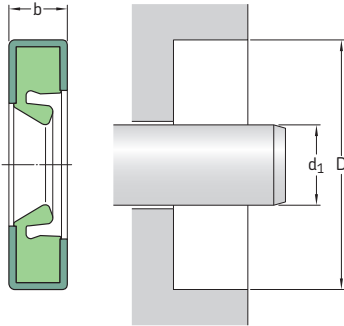
Please see **pages 74 to 76** for housing bore requirements.

Dimensions Shaft	Bore	Nominal seal width b	Design	Lip material	Designation
d_1	D				
in./mm					
6.750 171,45	8.000 203,20	0.750 19,05	HDS7	R	597627
8.000 203,20	9.500 241,30	0.625 15,88	HDS7	H	596567
8.375 212,73	9.750 247,65	0.750 19,05	HDS7	R	596198
8.500 215,90	10.000 254,00	0.625 15,88	HDS7	R	596415
9.000 228,60	10.498 266,65	0.750 19,05	HDS7	R	596200
	10.500 266,70	0.625 15,88	HDS7	R	597535
9.125 231,78	11.125 282,58	0.813 20,65	HDS7	R	597472
9.375 238,13	11.500 292,10	0.590 14,99	HDS7	R	597408
9.500 241,30	11.000 279,40	0.625 15,88	HDS7	H	596566
9.750 247,65	11.000 279,40	0.625 15,88	HDS7	R	596561
10.000 254,00	11.250 285,75	0.625 15,88	HDS7	R	1000129
10.500 266,70	12.000 304,80	0.688 17,48	HDS7	H	1050211
10.750 273,05	11.750 298,45	0.591 15,01	HDS7	R	1075020
	12.750 323,85	0.625 15,88	HDS7	R	596171
	12.750 323,85	0.813 20,65	HDS7	R	1075559

Dimensions Shaft d_1	Bore D	Nominal seal width b	Design	Lip material	Designation
in./mm			–	–	–
11.000 279,40	12.250 311,15	0.625 15,88	HDS7	R	1100120
	13.000 330,20	0.813 20,65	HDS7	R	1100519
11.250 285,75	12.750 323,85	0.625 15,88	HDS7	H	1125219
11.500 292,10	13.000 330,20	0.688 17,48	HDS7	R	1150229
11.750 298,45	13.250 336,55	0.688 17,48	HDS7	R	1175219
12.000 304,80	13.500 342,90	0.625 15,88	HDS7	R	1213210
	13.938 354,03	0.688 17,48	HDS7	R	1200500
	14.000 355,60	0.813 20,65	HDS7	R	1200521
12.250 311,15	13.750 349,25	0.750 19,05	HDS7	D	1225259
	14.000 355,60	0.688 17,48	HDS7	R	1225379
	14.250 361,95	0.750 19,05	HDS7	R	1225549
	14.250 361,95	0.813 20,65	HDS7	R	1225370
	14.250 361,95	1.250 31,75	HDS7	R	1225589
12.500 317,50	14.000 355,60	0.688 17,48	HDS7	R	1250239
12.750 323,85	14.250 361,95	0.625 15,88	HDS7	H	1275219
13.000 330,20	15.000 381,00	1.000 25,40	HDS7	R	1300600
13.250 336,55	15.250 387,35	0.750 19,05	HDS7	R	1325569
13.500 342,90	15.500 393,70	0.813 20,65	HDS7	R	1350520
13.750 349,25	15.250 387,35	0.625 15,88	HDS7	H	1375719
13.875 352,43	16.000 406,40	1.000 25,40	HDS7	R	1387610
14.500 368,30	16.000 406,40	0.688 17,48	HDS7	R	1450220
14.750 374,65	16.500 419,10	0.688 17,48	HDS7	R	1475430
15.000 381,00	17.000 431,80	0.813 20,65	HDS7	R	1500510
15.250 387,35	17.250 438,15	0.625 15,88	HDS7	R	1525511
15.359 390,12	17.709 449,81	0.906 23,01	HDS7	R	1536691

Radial shaft seals – HDS7 – inch dimensions

d_1 15.500 – 63.250 in.



The table includes only a selection of sizes. For the full size range, please refer to **table 19** on **page 214**.

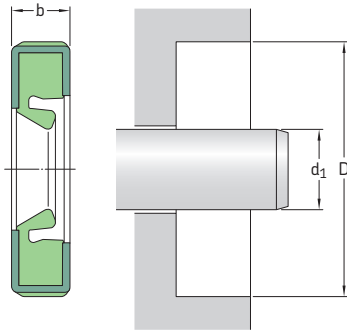
Please see **pages 74 to 76** for housing bore requirements.

Dimensions		Nominal seal width b	Design	Lip material	Designation
Shaft	Bore				
d_1	D				
in./mm			–	–	–
15.500 393,70	17.500 444,50	0.813 20,65	HDS7	R	1550559
15.750 400,05	17.250 438,15	0.750 19,05	HDS7	H	1575210
15.875 403,23	17.500 444,50	0.750 19,05	HDS7	H	1587330
16.000 406,40	17.500 444,50	0.625 15,88	HDS7	H	1600211
	18.000 457,20	0.813 20,65	HDS7	H	1600519
16.250 412,75	17.750 450,85	0.688 17,48	HDS7	R	1625210
16.500 419,10	18.000 457,20	0.750 19,05	HDS7	R	1650280
17.000 431,80	18.500 469,90	0.625 15,88	HDS7	R	1700280
	19.000 482,60	0.813 20,65	HDS7	R	1700579
17.375 441,33	18.875 479,43	0.750 19,05	HDS7	R	1737219
17.500 444,50	19.000 482,60	0.688 17,48	HDS7	H	1750220
	19.000 482,60	0.688 17,48	HDS7	R	1750221
17.875 454,03	19.875 504,83	0.750 19,05	HDS7	R	1787540
19.000 482,60	20.500 520,70	0.750 19,05	HDS7	R	1900211
19.250 488,95	20.750 527,05	0.625 15,88	HDS7	R	596180

Dimensions Shaft d ₁	Bore D	Nominal seal width b	Design	Lip material	Designation
in./mm			–	–	–
19.500 495,30	21.500 546,10	0.750 19,05	HDS7	R	1950211
20.000 508,00	21.500 546,10	0.750 19,05	HDS7	R	2000240
20.750 527,05	22.750 577,85	0.875 22,23	HDS7	D	2075569
21.260 540,00	23.228 590,00	0.984 25,00	HDS7	R	2126510
21.750 552,45	23.750 603,25	0.875 22,23	HDS7	R	2175569
22.250 565,15	24.250 615,95	0.875 22,23	HDS7	H	2225511
24.250 615,95	26.000 660,40	1.000 25,40	HDS7	H	2425419
25.000 635,00	26.500 673,10	0.750 19,05	HDS7	R	2500210
26.500 673,10	28.000 711,20	0.750 19,05	HDS7	R	2650240
27.000 685,80	29.000 736,60	0.875 22,23	HDS7	R	2700519
27.500 698,50	29.500 749,30	0.875 22,23	HDS7	R	2750510
27.875 708,03	29.815 757,30	0.875 22,23	HDS7	R	2788600
28.000 711,20	29.500 749,30	0.750 19,05	HDS7	R	2800240
	30.000 762,00	0.875 22,23	HDS7	R	2800590
	30.500 774,70	1.000 25,40	HDS7	H	2800650
28.500 723,90	30.500 774,70	0.875 22,23	HDS7	H	2850211
29.000 736,60	31.000 787,40	0.875 22,23	HDS7	R	2900579
30.500 774,70	32.500 825,50	0.875 22,23	HDS7	H	3050511
30.615 777,62	33.268 845,01	1.094 27,79	HDS7	R	3061721
31.496 800,00	33.465 850,01	0.984 24,99	HDS7	R	3149470
40.500 1 028,70	41.750 1 060,45	0.750 19,05	HDS7	H	4050061
47.000 1 193,80	49.000 1 244,60	0.875 22,23	HDS7	H	4700511
57.875 1 470,03	60.000 1 524,00	0.938 23,83	HDS7	R	5787611
63.250 1 606,55	64.500 1 638,30	1.188 31,75	HDS7	R	6325100

Radial shaft seals – HDS7K – metric dimensions

d_1 200 – 810 mm



The table includes only a selection of sizes. For the full size range, please refer to **table 19** on **page 214**.

Please see **pages 74 to 76** for housing bore requirements.

Dimensions Shaft	Bore	Nominal seal width	Design	Lip material	Designation
d_1	D	b			
mm			–	–	–
200	230	15	HDS7K	R	200×230×15 HDS7K R
230	260	15	HDS7K	R	230×260×15 HDS7K R
280	310	15	HDS7K	R	280×310×15 HDS7K R
	320	18	HDS7K	R	280×320×18 HDS7K R ¹⁾
	320	20	HDS7K	R	280×320×20 HDS7K R
310	350	20	HDS7K	R	310×350×20 HDS7K R
320	360	25	HDS7K	R	320×360×25 HDS7K R ²⁾
360	404	20	HDS7K	R	360×404×20 HDS7K R
400	450	18	HDS7K	R	400×450×18 HDS7K R
	450	22	HDS7K	R	400×450×22 HDS7K R
446	496	22	HDS7K	R	446×496×22 HDS7K R
450	500	18	HDS7K	R	450×500×18 HDS7K R
	500	22	HDS7K	R	450×500×22 HDS7K R
485	535	22	HDS7K	R	485×535×22 HDS7K R
520	570	18	HDS7K	H	520×570×18 HDS7K H
	570	18	HDS7K	H	520×570×18 HDS7K H ³⁾
530	580	22	HDS7K	R	530×580×22 HDS7K R
	580	20	HDS7K	R	530×580×20 HDS7K R ¹⁾
540	590	18	HDS7K	R	540×590×18 HDS7K R
560	610	20	HDS7K	R	560×610×20 HDS7K R ¹⁾

¹⁾ 3,18 mm lugs (4)

²⁾ 4,77 mm lugs (4)

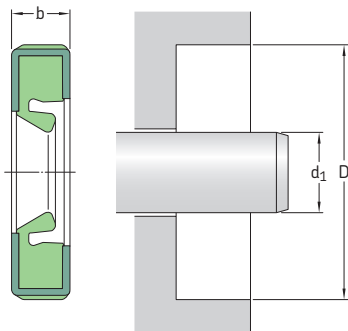
³⁾ 7,95 mm lugs (6)

Dimensions			Design	Lip material	Designation
Shaft	Bore	Nominal seal width			
d_1	D	b			
mm			–	–	–
570	610	18	HDS7K	H	570×610×18 HDS7K H
	610	18	HDS7K	H	570×610×18 HDS7K H⁴⁾
	620	22	HDS7K	R	570×620×22 HDS7K R
760	824	25	HDS7K	R	760×824×25 HDS7K R
810	874	25	HDS7K	R	810×874×25 HDS7K R

⁴⁾ 1,60 mm lugs (6)

Radial shaft seals – HDS7K – inch dimensions

d_1 15.750 – 16.500 in.



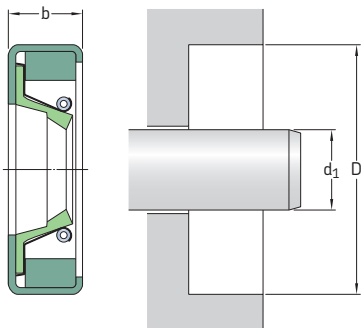
The table includes only a selection of sizes. For the full size range, please refer to **table 19** on **page 214**.

Please see **pages 74 to 76** for housing bore requirements.

Dimensions		Nominal seal width b	Design	Lip material	Designation
Shaft	Bore				
d_1	D				
in./mm			–	–	–
15.750 400,05	17.250 438,15	0.688 17,48	HDS7K	R	1575241
16.000 406,40	18.000 457,20	0.807 20,50	HDS7K	R	1600562
16.500 419,10	18.000 457,20	0.750 19,05	HDS7K	R	1650248

Radial shaft seals – HDL – metric dimensions

d_1 200 – 1 380 mm



The table includes only a selection of available sizes. Contact your SKF sales representative for more information.

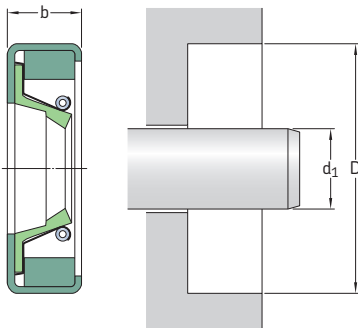
Please see **pages 74 to 76** for housing bore requirements.

Dimensions		Nominal seal width b	Designations	
Shaft d_1	Bore D		Lip material R	V
mm			–	
200	240	20	200×240×20 HDL R	200×240×20 HDL V
220	250	18	220×250×18 HDL R	220×250×18 HDL V
232	269,87	17,45	232×270×17 HDL R	232×270×17 HDL V
240	270	15	240×270×15 HDL R	240×270×15 HDL V
	280	20	240×280×20 HDL R	240×280×20 HDL V
270	308	17,45	270×308×17 HDL R	270×308×17 HDL V
280	320	19,98	280×320×20 HDL R	280×320×20 HDL V
	340	20,62	280×340×21 HDL R	280×340×21 HDL V
330	370	18	330×370×18 HDL R	330×370×18 HDL V
360	404	17,45	360×404×17 HDL R	360×404×17 HDL V
390	430	16	390×430×16 HDL R	390×430×16 HDL V
400	440	20	400×440×20 HDL R	400×440×20 HDL V
	450	17,45	400×450×17 HDL R	400×450×17 HDL V
420	460	17,45	420×460×17 HDL R	420×460×17 HDL V
	460	20	420×460×20 HDL R	420×460×20 HDL V
	470	17,45	420×470×17 HDL R	420×470×17 HDL V
440	480	20	440×480×20 HDL R	440×480×20 HDL V
470	520	22	470×520×22 HDL R	470×520×22 HDL V
480	520	20	480×520×20 HDL R	480×520×20 HDL V
485	535	19	485×535×19 HDL R	485×535×19 HDL V
500	550	19	500×550×19 HDL R	500×550×19 HDL V
508	560	25	508×560×25 HDL R	508×560×25 HDL V
513	543	16	513×543×16 HDL R	513×543×16 HDL V

Dimensions Shaft	Bore	Nominal seal width b	Designation Lip material	
d ₁	D		R	V
mm			–	
520	560 570	18 22	520×560×18 HDL R 520×570×22 HDL R	520×560×18 HDL V 520×570×22 HDL V
530	580	20,62	530×580×21 HDL R	530×580×21 HDL V
540	590	24,98	540×590×25 HDL R	540×590×25 HDL V
560	610	20	560×610×20 HDL R	560×610×20 HDL V
565	601	20	565×601×20 HDL R	565×601×20 HDL V
600	640	20	600×640×20 HDL R	600×640×20 HDL V
630	670	20	630×670×20 HDL R	630×670×20 HDL V
640	680	20	640×680×20 HDL R	640×680×20 HDL V
650	714	25	650×714×25 HDL R	650×714×25 HDL V
668	706	25,40	668×706×25 HDL R	668×706×25 HDL V
750	814	25	750×814×25 HDL R	750×814×25 HDL V
760	804	18	760×804×18 HDL R	760×804×18 HDL V
780	844	25	780×844×25 HDL R	780×844×25 HDL V
790	854	25	790×854×25 HDL R	790×854×25 HDL V
837	889	22,22	837×889×22 HDL R	837×889×22 HDL V
838,10	881	20	838×881×20 HDL R	838×881×20 HDL V
840	904	25	840×904×25 HDL R	840×904×25 HDL V
920	958,01	19,05	920×958×19 HDL R	920×958×19 HDL V
930	980	22,22	930×980×22 HDL R	930×980×22 HDL V
990	1 040	25	990×1040×25 HDL R	990×1040×25 HDL V
1 000	1 050	22,22	1000×1050×22 HDL R	1000×1050×22 HDL V
1 055	1 100	25	1055×1100×25 HDL R	1055×1100×25 HDL V
1 105	1 160	22	1105×1160×22 HDL R	1105×1160×22 HDL V
1 350	1 414 1 415	22 25	1350×1414×22 HDL R 1350×1415×25 HDL R	1350×1414×22 HDL V 1350×1415×25 HDL V
1 380	1 440	25	1380×1440×25 HDL R	1380×1440×25 HDL V

Radial shaft seals – HDL – inch dimensions

d_1 6.125 – 11.750 in.



The table includes only a selection of available sizes. Contact your SKF sales representative for more information.

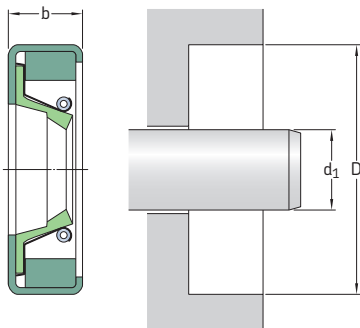
Please see **pages 74 to 76** for housing bore requirements.

Dimensions		Nominal seal width b	Designations Lip material	V
Shaft	Bore			
d_1	D		R	
in./mm			–	
6.125 155,58	7.625 193,68	0.687 17,45	HDL 1299 R	HDL 1299 V
7.125 180,98	8.250 209,55	0.750 19,05	HDL 3011 R	HDL 3011 V
7.875 200,03	9.375 238,13	0.687 17,45	HDL 9176 R	HDL 9176 V
8.000 203,20	9.500 241,30	0.687 17,45	HDL 3921 R	HDL 3921 V
8.125 206,38	10.125 257,18	0.687 17,45	HDL 9712 R	HDL 9712 V
8.250 209,55	10.250 260,35	0.813 20,65	HDL 4499 R	HDL 4499 V
8.375 212,73	9.875 250,83	0.687 17,45	HDL 3933 R	HDL 3933 V
	10.375 263,53	0.813 20,65	HDL 4500 R	HDL 4500 V
8.500 215,90	9.750 247,65	0.562 14,28	HDL 1705 R	HDL 1705 V
	10.000 254,00	0.687 17,45	HDL 8453 R	HDL 8453 V
8.625 219,08	10.125 257,18	0.687 17,45	HDL 3939 R	HDL 3939 V
	10.750 273,05	0.813 20,65	HDL 7718 R	HDL 7718 V
8.750 222,25	10.250 260,35	0.687 17,45	HDL 3946 R	HDL 3946 V
	10.750 273,05	0.813 20,65	HDL 3952 R	HDL 3952 V
8.875 225,43	10.875 276,23	0.813 20,65	HDL 3953 R	HDL 3953 V

Dimensions Shaft d ₁	Bore D	Nominal seal width b	Designations	
			Lip material R	V
in./mm			–	
9.000 228,60	10.500 266,70	0.688 17,45	HDL 3954 R	HDL 3954 V
9.125 231,78	10.625 269,88	0.687 17,45	HDL 3957 R	HDL 3957 V
9.250 234,95	10.750 273,05	0.687 17,45	HDL 3963 R	HDL 3963 V
9.375 238,13	11.375 288,93	0.813 20,65	HDL 4610 R	HDL 4610 V
9.500 241,30	10.750 273,05	0.562 14,28	HDL 3145 R	HDL 3145 V
	11.500 292,10	0.813 20,65	HDL 3984 R	HDL 3984 V
9.750 247,65	11.125 282,58	0.562 14,28	HDL 1692 R	HDL 1692 V
	11.750 298,45	0.687 17,45	HDL 9425 R	HDL 9425 V
10.000 254,00	11.500 292,10	0.687 17,45	HDL 3992 R	HDL 3992 V
	12.000 304,80	0.813 20,65	HDL 3997 R	HDL 3997 V
10.125 257,18	11.625 295,28	0.687 17,45	HDL 3999 R	HDL 3999 V
10.250 260,35	11.750 298,45	0.687 17,45	HDL 4004 R	HDL 4004 V
10.500 266,70	12.000 304,80	0.687 17,45	HDL 4011 R	HDL 4011 V
10.750 273,05	12.250 311,15	0.687 17,45	HDL 4023 R	HDL 4023 V
	12.750 323,85	0.625 15,88	HDL 3014 R	HDL 3014 V
10.875 276,23	12.375 314,33	0.687 17,45	HDL 4027 R	HDL 4027 V
11.000 279,40	12.250 311,15	0.562 14,28	HDL 3135 R	HDL 3135 V
	13.000 330,20	0.688 17,45	HDL 6034 R	HDL 6034 V
11.125 282,58	13.000 330,20	0.687 17,45	HDL 3699 R	HDL 3699 V
11.250 285,75	12.750 323,85	0.687 17,45	HDL 4527 R	HDL 4527 V
	13.250 336,55	0.813 20,65	HDL 4047 R	HDL 4047 V
11.375 288,93	13.375 339,73	0.813 20,65	HDL 4052 R	HDL 4052 V
11.500 292,10	13.000 330,20	0.687 17,45	HDL 4057 R	HDL 4057 V
11.750 298,45	13.250 336,55	0.687 17,45	HDL 4064 R	HDL 4064 V

Radial shaft seals – HDL – inch dimensions

d_1 12.000 – 15.125 in.



The table includes only a selection of available sizes. Contact your SKF sales representative for more information.

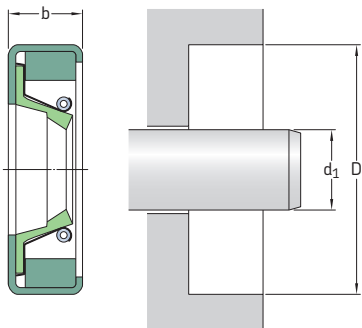
Please see pages 74 to 76 for housing bore requirements.

Dimensions		Nominal seal width b	Designations	
Shaft	Bore		Lip material	
d_1	D		R	V
in./mm			–	
12.000	13.500	0.687	HDL 4612 R	HDL 4612 V
<i>304,80</i>	<i>342,90</i>	<i>17,45</i>		
	13.750	0.687	HDL 3701 R	HDL 3701 V
	<i>349,25</i>	<i>17,45</i>		
12.125	13.875	0.687	HDL 4053 R	HDL 4053 V
<i>307,98</i>	<i>352,43</i>	<i>17,45</i>		
12.250	13.750	0.687	HDL 4613 R	HDL 4613 V
<i>311,15</i>	<i>349,25</i>	<i>17,45</i>		
	14.000	0.687	HDL 4055 R	HDL 4055 V
	<i>355,60</i>	<i>17,45</i>		
12.375	13.875	0.687	HDL 4076 R	HDL 4076 V
<i>314,33</i>	<i>352,43</i>	<i>17,45</i>		
	14.375	0.687	HDL 4097 R	HDL 4097 V
	<i>365,13</i>	<i>17,45</i>		
12.500	14.000	0.687	HDL 4079 R	HDL 4079 V
<i>317,50</i>	<i>355,60</i>	<i>17,45</i>		
12.625	14.125	0.687	HDL 4081 R	HDL 4081 V
<i>320,68</i>	<i>358,78</i>	<i>17,45</i>		
12.687	14.750	0.813	HDL 9766 R	HDL 9766 V
<i>322,24</i>	<i>374,65</i>	<i>20,65</i>		
12.750	14.250	0.687	HDL 4089 R	HDL 4089 V
<i>323,85</i>	<i>361,95</i>	<i>17,45</i>		
	15.000	0.813	HDL 4092 R	HDL 4092 V
	<i>381,00</i>	<i>20,65</i>		
12.875	15.000	0.813	HDL 5404 R	HDL 5404 V
<i>327,03</i>	<i>381,00</i>	<i>20,65</i>		
13.000	14.500	0.687	HDL 4093 R	HDL 4093 V
<i>330,20</i>	<i>368,30</i>	<i>17,45</i>		

Dimensions Shaft d ₁	Bore D	Nominal seal width b	Designations	
			Lip material R	V
in./mm			–	
13.250	14.750	0.687	HDL 4101 R	HDL 4101 V
336,55	374,65	17,45		
	15,000	0,687	HDL 7169 R	HDL 7169 V
	381,00	17,45		
13.500	15.000	0.687	HDL 4121 R	HDL 4121 V
342,90	381,00	17,45		
	15.750	0.813	HDL 4123 R	HDL 4123 V
	400,05	20,65		
13.625	15.500	0.687	HDL 4120 R	HDL 4120 V
346,08	393,70	17,45		
13.750	15.250	0.687	HDL 4529 R	HDL 4529 V
349,25	387,35	17,45		
13.813	16.000	0.813	HDL 4108 R	HDL 4108 V
350,85	406,40	20,65		
13.875	16.000	0.813	HDL 4110 R	HDL 4110 V
352,43	406,40	20,65		
13.937	15.437	0.687	HDL 4130 R	HDL 4130 V
354,00	392,10	17,45		
	15.500	0.687	HDL 4111 R	HDL 4111 V
	393,70	17,45		
14.000	15.500	0.687	HDL 4131 R	HDL 4131 V
355,60	393,70	17,45		
	15.750	0.750	HDL 4134 R	HDL 4134 V
	400,05	19,05		
14.187	16.732	0.813	HDL 9280 R	HDL 9280 V
360,34	424,99	20,65		
14.250	15.750	0.687	HDL 4118 R	HDL 4118 V
361,95	400,05	17,45		
14.375	16.000	0.687	HDL 5481 R	HDL 5481 V
365,13	406,40	17,45		
14.500	16.000	0.687	HDL 4142 R	HDL 4142 V
368,30	406,40	17,45		
14.625	16.250	0.687	HDL 3856 R	HDL 3856 V
371,48	412,75	17,45		
14.750	16.250	0.687	HDL 4147 R	HDL 4147 V
374,65	412,75	17,45		
	16.500	0.687	HDL 5990 R	HDL 5990 V
	419,10	17,45		
14.875	16.500	0.687	HDL 3858 R	HDL 3858 V
377,83	419,10	17,45		
	16.875	0.937	HDL 2622 R	HDL 2622 V
	428,63	23,80		
14.906	17.000	0.813	HDL 3861 R	HDL 3861 V
378,61	431,80	20,65		
15.000	16.500	0.687	HDL 4151 R	HDL 4151 V
381,00	419,10	17,45		
15.125	16.750	0.687	HDL 4165 R	HDL 4165 V
384,18	425,45	17,45		

Radial shaft seals – HDL – inch dimensions

d_1 15.250 – 19.250 in.



The table includes only a selection of available sizes. Contact your SKF sales representative for more information.

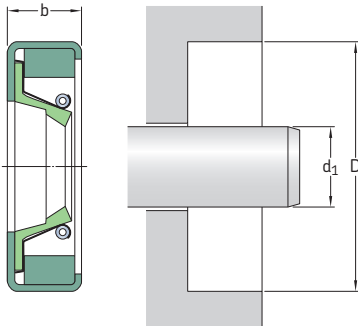
Please see pages 74 to 76 for housing bore requirements.

Dimensions		Nominal seal width b	Designations	
Shaft	Bore		Lip material	
d_1	D		R	V
in./mm			–	
15.250 387,35	16.750 425,45 17.250 438,15	0.687 17,45 0.875 22,23	HDL 4615 R	HDL 4615 V
			HDL 3030 R	HDL 3030 V
15.313 388,95	16.875 428,63	0.687 17,45	HDL 4158 R	HDL 4158 V
15.359 390,11	17.717 450,01	0.687 17,45	HDL 4166 R	HDL 4166 V
15.375 390,53	17.250 438,15	0.687 17,45	HDL 4167 R	HDL 4167 V
15.500 393,70	17.496 444,40	0.813 20,65	HDL 4163 R	HDL 4163 V
15.750 400,05	17.165 436,00 17.312 439,72	0.687 17,45 0.687 17,45	HDL 9986 R HDL 9271 R	HDL 9986 V HDL 9271 V
15.875 403,23	17.875 454,03	0.813 20,65	HDL 4176 R	HDL 4176 V
16.000 406,40	17.500 444,50 18.000 457,20	0.687 17,45 0.813 20,65	HDL 4177 R HDL 4180 R	HDL 4177 V HDL 4180 V
16.250 412,75	17.750 450,85 18.000 457,20	0.687 17,45 0.750 19,05	HDL 4181 R HDL 4184 R	HDL 4181 V HDL 4184 V
16.375 415,93	17.875 454,03	0.687 17,45	HDL 4179 R	HDL 4179 V
16.500 419,10	18.000 457,20 18.500 469,90	0.687 17,45 0.813 20,65	HDL 9863 R HDL 4186 R	HDL 9863 V HDL 4186 V

Dimensions			Designations	
Shaft	Bore	Nominal seal width	Lip material	
d_1	D	b	R	V
in./mm			-	
16.535 419,98	18.504 470,00	0.875 22,23	HDL 1929 R	HDL 1929 V
16.750 425,45	18.250 463,55	0.687 17,45	HDL 3744 R	HDL 3744 V
	19.000 482,60	0.813 20,65	HDL 3748 R	HDL 3748 V
16.937 430,19	19.291 489,99	0.813 20,65	HDL 9695 R	HDL 9695 V
17.000 431,80	18.500 469,90	0.687 17,45	HDL 4188 R	HDL 4188 V
	19.250 488,95	0.813 20,65	HDL 4191 R	HDL 4191 V
17.250 438,15	18.750 476,25	0.687 17,45	HDL 3751 R	HDL 3751 V
17.500 444,50	19.000 482,60	0.687 17,45	HDL 4194 R	HDL 4194 V
	19.250 488,95	1.000 25,40	HDL 3005 R	HDL 3005 V
17.625 447,68	19.250 488,95	0.687 17,45	HDL 4199 R	HDL 4199 V
	19.625 498,48	0.687 17,45	HDL 6850 R	HDL 6850 V
17.750 450,85	19.750 501,65	0.813 20,65	HDL 4200 R	HDL 4200 V
	20.078 509,98	0.875 22,23	HDL 9084 R	HDL 9084 V
17.875 454,03	19.875 504,83	0.813 20,65	HDL 4204 R	HDL 4204 V
18.000 457,20	19.500 495,30	0.687 17,45	HDL 4206 R	HDL 4206 V
	19.750 501,65	0.687 17,45	HDL 5728 R	HDL 5728 V
18.120 460,25	20.500 520,70	0.875 22,23	HDL 3754 R	HDL 3754 V
18.125 460,38	20.500 520,70	0.875 22,23	HDL 3756 R	HDL 3756 V
18.250 463,55	19.750 501,65	0.687 17,45	HDL 3757 R	HDL 3757 V
18.375 466,73	19.875 504,83	0.687 17,45	HDL 4213 R	HDL 4213 V
	19.937 506,39	0.687 17,45	HDL 7103 R	HDL 7103 V
18.500 469,90	20.000 508,00	0.687 17,45	HDL 3768 R	HDL 3768 V
	20.250 514,35	0.687 17,45	HDL 3772 R	HDL 3772 V
19.000 482,60	20.500 520,70	0.750 19,05	HDL 4218 R	HDL 4218 V
	21.000 533,40	0.875 22,23	HDL 4219 R	HDL 4219 V
19.250 488,95	20.750 527,05	0.750 19,05	HDL 4617 R	HDL 4617 V

Radial shaft seals – HDL – inch dimensions

d_1 19.375 – 23.375 in.



The table includes only a selection of available sizes. Contact your SKF sales representative for more information.

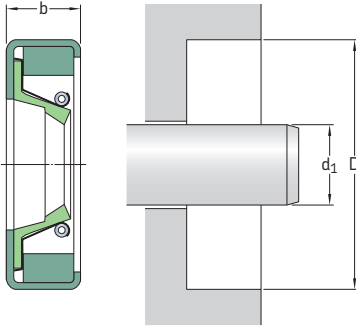
Please see pages 74 to 76 for housing bore requirements.

Dimensions		Nominal seal width b	Designations	
Shaft d_1	Bore D		Lip material R	V
in./mm			–	
19.375 492,13	21.000 533,40	0.750 19,05	HDL 3778 R	HDL 3778 V
19.500 495,30	21.000 533,40	0.750 19,05	HDL 3779 R	HDL 3779 V
	21.500 546,10	0.875 22,23	HDL 4221 R	HDL 4221 V
19.750 501,65	21.750 552,45	0.875 22,23	HDL 4228 R	HDL 4228 V
	22.125 561,98	0.875 22,23	HDL 7400 R	HDL 7400 V
19.875 504,83	22.000 558,80	0.875 22,23	HDL 3788 R	HDL 3788 V
19.937 506,40	21.687 550,84	0.625 15,88	HDL 4233 R	HDL 4233 V
	21.500 546,10	0.750 19,05	HDL 3789 R	HDL 3789 V
20.000 508,00	21.500 546,10	0.750 19,05	HDL 4235 R	HDL 4235 V
20.143 511,63	22.250 565,15	0.875 22,23	HDL 3792 R	HDL 3792 V
20.250 514,35	21.750 552,45	0.750 19,05	HDL 4239 R	HDL 4239 V
	22.250 565,15	0.875 22,23	HDL 4240 R	HDL 4240 V
20.438 519,13	22.500 571,50	0.813 20,65	HDL 4242 R	HDL 4242 V
20.500 520,70	22.000 558,80	0.750 19,05	HDL 4619 R	HDL 4619 V
20.625 523,88	22.625 574,68	0.813 20,65	HDL 9893 R	HDL 9893 V

Dimensions			Designations	
Shaft	Bore	Nominal seal width	Lip material	
d_1	D	b	R	V
in./mm			-	
20.750 527,05	22.750 577,85	0.875 22,23	HDL 4248 R	HDL 4248 V
20.875 530,23	22.875 581,03	0.875 22,23	HDL 4250 R	HDL 4250 V
21.000 533,40	22.500 571,50	0.750 19,05	HDL 5259 R	HDL 5259 V
	23.000 584,20	0.813 20,65	HDL 6535 R	HDL 6535 V
21.250 539,75	23.000 584,20	0.750 19,05	HDL 4255 R	HDL 4255 V
21.437 544,49	23.187 588,94	0.750 19,05	HDL 4256 R	HDL 4256 V
	23.250 590,55	0.750 19,05	HDL 4257 R	HDL 4257 V
21.500 546,10	23.500 596,90	0.875 22,23	HDL 4259 R	HDL 4259 V
	23.375 593,73	0.750 19,05	HDL 4261 R	HDL 4261 V
21.750 552,45	23.250 590,55	0.750 19,05	HDL 4621 R	HDL 4621 V
	24.750 628,65	0.875 22,23	HDL 4262 R	HDL 4262 V
22.000 558,80	23.500 596,90	0.750 19,05	HDL 4269 R	HDL 4269 V
	24.250 615,95	0.813 20,65	HDL 9082 R	HDL 9082 V
22.250 565,15	24.250 615,95	0.875 22,23	HDL 3764 R	HDL 3764 V
22.375 568,33	24.250 615,95	0.750 19,05	HDL 4268 R	HDL 4268 V
	24.375 619,13	0.875 22,23	HDL 2576 R	HDL 2576 V
22.437 569,89	24.000 609,60	0.750 19,05	HDL 4275 R	HDL 4275 V
22.500 571,50	24.000 609,60	0.750 19,05	HDL 4271 R	HDL 4271 V
	24.500 622,30	0.875 22,23	HDL 4279 R	HDL 4279 V
22.750 577,85	24.750 628,65	0.875 22,23	HDL 4273 R	HDL 4273 V
	24.750 628,65	0.875 22,23	HDL 4281 R	HDL 4281 V
23.000 584,20	24.500 622,30	0.750 19,05	HDL 4283 R	HDL 4283 V
	24.750 628,65	0.750 19,05	HDL 5421 R	HDL 5421 V
23.250 590,55	25.000 635,00	0.750 19,05	HDL 4286 R	HDL 4286 V
	25.250 641,35	0.750 19,05	HDL 9371 R	HDL 9371 V
23.375 593,73	25.375 644,53	0.875 22,23	HDL 4287 R	HDL 4287 V

Radial shaft seals – HDL – inch dimensions

d_1 23.500 – 29.500 in.



The table includes only a selection of available sizes. Contact your SKF sales representative for more information.

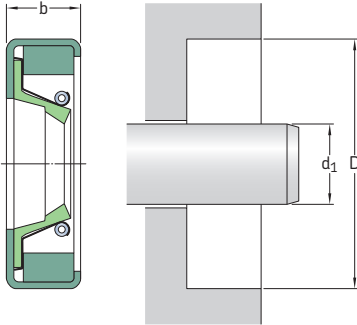
Please see pages 74 to 76 for housing bore requirements.

Dimensions		Nominal seal width b	Designations	
Shaft	Bore		Lip material	
d_1	D		R	V
in./mm			–	
23.500 596,90	24.681 626,90	0.591 15,00	HDL 3033 R	HDL 3033 V
23.562 598,47	25.250 641,35	0.750 19,05	HDL 4290 R	HDL 4290 V
	25.375 644,53	0.750 19,05	HDL 4291 R	HDL 4291 V
23.625 600,08	26.000 660,40	0.875 22,23	HDL 4292 R	HDL 4292 V
23.750 603,25	25.250 641,35	1.000 25,40	HDL 6239 R	HDL 6239 V
23.875 606,43	26.000 660,40	0.875 22,23	HDL 4293 R	HDL 4293 V
24.000 609,60	25.500 647,70	0.750 19,05	HDL 4623 R	HDL 4623 V
	26.000 660,40	0.813 20,65	HDL 4295 R	HDL 4295 V
24.250 615,95	26.250 666,75	0.875 22,23	HDL 4301 R	HDL 4301 V
24.437 620,69	26.000 660,40	0.750 19,05	HDL 4302 R	HDL 4302 V
	26.935 684,15	1.000 25,40	HDL 9990 R	HDL 9990 V
24.500 622,30	26.500 673,10	0.875 22,23	HDL 4305 R	HDL 4305 V
25.000 635,00	26.500 673,10	0.750 19,05	HDL 4308 R	HDL 4308 V
25.187 639,74	26.875 682,63	0.750 19,05	HDL 4311 R	HDL 4311 V
25.250 641,35	27.250 692,15	0.750 19,05	HDL 4299 R	HDL 4299 V

Dimensions Shaft	Bore	Nominal seal width b	Designations Lip material	
d ₁	D		R	V
in./mm			–	
25.500 647,70	26.750 679,45 27.500 698,50	0.750 19,05 0.875 22,23	HDL 3022 R HDL 4318 R	HDL 3022 V HDL 4318 V
25.750 654,05	27.500 698,50	0.750 19,05	HDL 6998 R	HDL 6998 V
25.875 657,23	28.000 711,20	0.875 22,23	HDL 4303 R	HDL 4303 V
25.988 660,09	27.625 701,68	0.750 19,05	HDL 4306 R	HDL 4306 V
26.000 660,40	27.625 701,68	0.750 19,05	HDL 5921 R	HDL 5921 V
26.125 663,58	27.625 701,68	0.750 19,05	HDL 4329 R	HDL 4329 V
26.375 669,93	28.188 715,98	0.875 22,23	HDL 4307 R	HDL 4307 V
26.500 673,10	28.000 711,20	0.750 19,05	HDL 4533 R	HDL 4533 V
27.000 685,80	29.000 736,60	0.875 22,23	HDL 4333 R	HDL 4333 V
27.250 692,15	29.250 742,95	0.875 22,23	HDL 4626 R	HDL 4626 V
27.500 698,50	29.000 736,60	0.750 19,05	HDL 4315 R	HDL 4315 V
27.625 701,68	29.625 752,48	0.750 19,05	HDL 5001 R	HDL 5001 V
27.875 708,03	29.813 757,25	0.875 22,23	HDL 4341 R	HDL 4341 V
28.000 711,20	29.500 749,30 29.813 757,25	0.750 19,05 0.750 19,05	HDL 4343 R HDL 4316 R	HDL 4343 V HDL 4316 V
28.438 722,33	31.000 787,40	0.875 22,23	HDL 4321 R	HDL 4321 V
28.500 723,90	30.500 774,70	0.875 22,23	HDL 4346 R	HDL 4346 V
28.750 730,25	30.750 781,05	0.875 22,23	HDL 4628 R	HDL 4628 V
29.000 736,60	30.500 774,70 31.500 800,10	0.750 19,05 1.000 25,40	HDL 4347 R HDL 8793 R	HDL 4347 V HDL 8793 V
29.500 749,30	31.500 800,10 32.000 812,80	0.875 22,23 0.875 22,23	HDL 4352 R HDL 4538 R	HDL 4352 V HDL 4538 V

Radial shaft seals – HDL – inch dimensions

d_1 30.000 – 37.000 in.



The table includes only a selection of available sizes. Contact your SKF sales representative for more information.

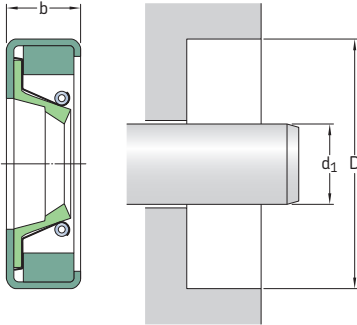
Please see pages 74 to 76 for housing bore requirements.

Dimensions		Nominal seal width b	Designations	
Shaft	Bore		Lip material	
d_1	D		R	V
in./mm			–	
30.000	31.500	0.750	HDL 4356 R	HDL 4356 V
762,00	800,10	19,05		
	31.625	0.750	HDL 7870 R	HDL 7870 V
	803,28	19,05		
	32.500	0.875	HDL 4358 R	HDL 4358 V
	825,50	22,23		
	32.750	0.875	HDL 4359 R	HDL 4359 V
	831,85	22,23		
30.250	32.500	0.875	HDL 4906 R	HDL 4906 V
768,35	825,50	22,23		
30.313	32.375	0.875	HDL 4361 R	HDL 4361 V
769,95	822,33	22,23		
30.500	32.500	0.875	HDL 4365 R	HDL 4365 V
774,70	825,50	22,23		
31.000	32.500	0.750	HDL 5739 R	HDL 5739 V
787,40	825,50	19,05		
	33.500	0.875	HDL 4540 R	HDL 4540 V
	850,90	22,23		
31.250	32.750	0.750	HDL 4631 R	HDL 4631 V
793,75	831,85	19,05		
31.750	33.750	0.875	HDL 5016 R	HDL 5016 V
806,45	857,25	22,23		
32.000	33.500	0.750	HDL 3023 R	HDL 3023 V
812,80	850,90	19,05		
32.125	34.125	0.875	HDL 4371 R	HDL 4371 V
815,98	866,78	22,23		
	34.125	0.750	HDL 3002 R	HDL 3002 V
	866,78	19,05		
32.313	34.500	0.875	HDL 4373 R	HDL 4373 V
820,75	876,30	22,23		
32.500	34.500	0.875	HDL 4377 R	HDL 4377 V
825,50	876,30	22,22		

Dimensions			Designations	
Shaft	Bore	Nominal seal width	Lip material	
d_1	D	b	R	V
in./mm			-	
32.750 831,85	34.250 869,95	0.750 19,05	HDL 4542 R	HDL 4542 V
33.000 838,20	34.500 876,30	0.750 19,05	HDL 4381 R	HDL 4381 V
	34.650 880,10	0.787 20,00	HDL 4634 R	HDL 4634 V
	35.000 889,00	0.875 22,23	HDL 4382 R	HDL 4382 V
33.500 850,90	35.000 889,00	0.875 22,23	HDL 9504 R	HDL 9504 V
	35.625 904,88	0.875 22,23	HDL 4548 R	HDL 4548 V
33.625 854,08	35.625 904,88	0.875 22,23	HDL 4328 R	HDL 4328 V
34.000 863,60	35.625 904,88	0.875 22,23	HDL 4331 R	HDL 4331 V
34.250 869,95	36.000 914,40	0.750 19,05	HDL 3017 R	HDL 3017 V
	36.750 933,45	0.875 22,23	HDL 4335 R	HDL 4335 V
34.500 876,30	36.000 914,40	0.750 19,05	HDL 6908 R	HDL 6908 V
	36.500 927,10	1.000 25,40	HDL 3021 R	HDL 3021 V
34.750 882,65	36.750 933,45	0.875 22,23	HDL 3831 R	HDL 3831 V
35.000 889,00	37.000 939,80	0.875 22,23	HDL 3835 R	HDL 3835 V
35.250 895,35	37.250 946,15	0.875 22,23	HDL 4416 R	HDL 4416 V
35.375 898,53	37.375 949,33	0.875 22,23	HDL 4417 R	HDL 4417 V
35.437 900,09	38.583 980,00	0.875 22,23	HDL 9079 R	HDL 9079 V
35.496 901,60	37.996 965,10	0.984 25,00	HDL 3001 R	HDL 3001 V
35.500 901,70	37.500 952,50	0.875 22,23	HDL 4553 R	HDL 4553 V
35.827 910,00	38.077 967,15	0.687 17,45	HDL 3003 R	HDL 3003 V
36.000 914,40	38.000 965,20	0.875 22,23	HDL 4421 R	HDL 4421 V
36.500 927,10	38.000 965,20	0.750 19,05	HDL 4429 R	HDL 4429 V
36.750 933,45	38.750 984,25	0.875 22,23	HDL 4432 R	HDL 4432 V
37.000 939,80	39.000 990,60	0.875 22,23	HDL 4434 R	HDL 4434 V

Radial shaft seals – HDL – inch dimensions

d_1 37.250 – 51.250 in.



The table includes only a selection of available sizes. Contact your SKF sales representative for more information.

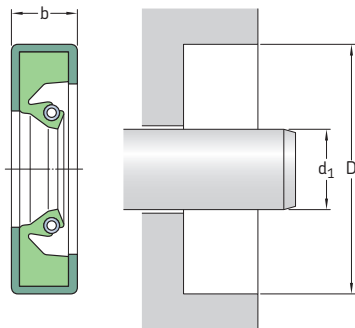
Please see pages 74 to 76 for housing bore requirements.

Dimensions		Nominal seal width b	Designations Lip material	V
Shaft	Bore			
d_1	D		R	
in./mm			–	
37.250 946,15	39.250 996,95	0.875 22,23	HDL 4436 R	HDL 4436 V
37.374 949,30	39.500 1 003,30	0.875 22,23	HDL 4425 R	HDL 4425 V
37.437 950,89	39.500 1 003,30	0.875 22,23	HDL 3847 R	HDL 3847 V
37.500 952,50	39.000 990,60	0.750 19,05	HDL 9411 R	HDL 9411 V
38.000 965,20	39.500 1 003,30	0.750 19,05	HDL 3004 R	HDL 3004 V
	41.000 1 041,40	0.875 22,23	HDL 4340 R	HDL 4340 V
38.250 971,55	40.250 1 022,35	0.875 22,23	HDL 4454 R	HDL 4454 V
38.258 971,75	40.750 1 035,05	0.875 22,23	HDL 4342 R	HDL 4342 V
38.500 977,90	41.000 1 041,40	0.875 22,23	HDL 4349 R	HDL 4349 V
38.750 984,25	40.750 1 035,05	0.875 22,23	HDL 4456 R	HDL 4456 V
38.937 988,99	41.000 1 041,40	0.875 22,23	HDL 4462 R	HDL 4462 V
39.000 990,60	41.000 1 041,40	0.875 22,23	HDL 4465 R	HDL 4465 V
	42.250 1 073,15	0.875 22,23	HDL 4577 R	HDL 4577 V
39.750 1 009,65	42.250 1 073,15	0.875 22,23	HDL 7538 R	HDL 7538 V
40.000 1 016,00	42.000 1 066,80	0.875 22,23	HDL 4467 R	HDL 4467 V

Dimensions Shaft	Bore	Nominal seal width b	Designations Lip material	
d ₁	D		R	V
<hr/>				
in./mm			–	
<hr/>				
40.500 1 028,70	42.500 1 079,50	0.875 22,23	HDL 4468 R	HDL 4468 V
	43.020 1 092,70	0.875 22,23	HDL 1964 R	HDL 1964 V
41.500 1 054,10	43.500 1 104,90	0.875 22,23	HDL 4635 R	HDL 4635 V
41.875 1 063,63	43.500 1 104,90	1.000 25,40	HDL 8628 R	HDL 8628 V
42.248 1 073,10	44.248 1 123,90	1.000 25,40	HDL 4470 R	HDL 4470 V
42.500 1 079,50	44.250 1 123,95	0.875 22,23	HDL 5555 R	HDL 5555 V
43.000 1 092,20	45.500 1 155,70	0.875 22,23	HDL 7189 R	HDL 7189 V
43.500 1 104,90	45.500 1 155,70	0.875 22,23	HDL 4637 R	HDL 4637 V
43.750 1 111,25	45.750 1 162,05	0.875 22,23	HDL 4638 R	HDL 4638 V
44.000 1 117,60	46.000 1 168,40	0.875 22,23	HDL 7087 R	HDL 7087 V
44.500 1 130,30	46.000 1 168,40	0.750 19,05	HDL 4563 R	HDL 4563 V
46.004 1 168,50	47.500 1 206,50	0.750 19,05	HDL 3006 R	HDL 3006 V
46.500 1 181,10	48.500 1 231,90	0.875 22,23	HDL 4578 R	HDL 4578 V
46.850 1 189,99	48.819 1 240,00	0.875 22,23	HDL 8317 R	HDL 8317 V
48.000 1 219,20	50.000 1 270,00	0.875 22,23	HDL 8579 R	HDL 8579 V
48.250 1 225,55	50.250 1 276,35	0.875 22,23	HDL 4639 R	HDL 4639 V
51.248 1 301,71	53.289 1 353,55	0.875 22,23	HDL 6747 R	HDL 6747 V
51.250 1 301,75	53.300 1 353,82	0.875 22,23	HDL 1914 R	HDL 1914 V

Radial shaft seals – HDS1, HDS2 and HDS3 – metric dimensions

d_1 170 – 380 mm



The table includes only a selection of sizes. For the full size range, please refer to **table 19** on **page 214**.

Please see **pages 74 to 76** for housing bore requirements.

Dimensions		Nominal seal width b	Design	Lip material	Designation
Shaft	Bore				
d_1	D				
mm			–	–	–
170	210	16	HDS1	R	170×210×16 HDS1 R
200	230	15,87	HDS1	R	200×230×16 HDS1 R
	238	19	HDS1	V	200×238×19 HDS1 V
	240	20	HDS2	R	200×240×20 HDS2 R
210	245	16	HDS1	R	210×245×16 HDS1 R
	250	20	HDS1	V	210×250×20 HDS1 V
215	270	23	HDS2	R	215×270×23 HDS2 R
220	255	16	HDS1	R	220×255×16 HDS1 R ¹⁾
	260	16	HDS1	R	220×260×16 HDS1 R
	260	20	HDS1	R	220×260×20 HDS1 R
225	257	16	HDS1	R	225×257×16 HDS1 R
230	270	16	HDS2	V	230×270×16 HDS2 V
235	270	16	HDS2	R	235×270×16 HDS2 R
240	280	16	HDS2	R	240×280×16 HDS2 R
	280	16	HDS2	D	240×280×16 HDS2 D
245	305	28	HDS2	R	245×305×28 HDS2 R
250	280	16	HDS2	R	250×280×16 HDS2 R
	280	16	HDS1	D	250×280×16 HDS1 D
	285	16	HDS2	D	250×285×16 HDS2 D
	310	25	HDS1	R	250×310×25 HDS1 R
260	290	16	HDS2	D	260×290×16 HDS2 D
	290	16	HDS2	V	260×290×16 HDS2 V
	300	16	HDS2	R	260×300×16 HDS2 R
	300	20	HDS2	D	260×300×20 HDS2 D
265	310	16	HDS1	R	265×310×16 HDS1 R

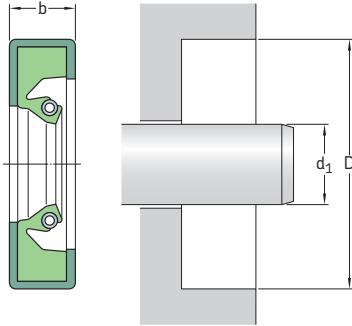
¹⁾ 12,7 mm adjustable spacer lugs (4)

Dimensions Shaft	Bore	Nominal seal width b	Design	Lip material	Designation
d ₁	D				
mm			–	–	–
270	310	16	HDS3	V	270×310×16 HDS3 V ²⁾
	310	20	HDS2	V	270×310×20 HDS2 V
	330	25	HDS2	V	270×330×25 HDS2 V
275	310	16	HDS1	R	275×310×16 HDS1 R
280	310	16	HDS1	R	280×310×16 HDS1 R
	320	16	HDS1	R	280×320×16 HDS1 R
	320	20	HDS1	R	280×320×20 HDS1 R
	340	25	HDS1	R	280×340×25 HDS1 R
285	320	16	HDS2	R	285×320×16 HDS2 R
	325	16	HDS1	R	285×325×16 HDS1 R
290	330	18	HDS2	R	290×330×18 HDS2 R
	350	25	HDS2	R	290×350×25 HDS2 R
295	335	18	HDS1	R	295×335×18 HDS1 R
300	332	16	HDS2	R	300×332×16 HDS2 R
	335	18	HDS2	R	300×335×18 HDS2 R
	340	18	HDS1	V	300×340×18 HDS1 V
	340	18	HDS1	D	300×340×18 HDS1 D
	340	20	HDS1	V	300×340×20 HDS1 V
	345	22	HDS1	R	300×345×22 HDS1 R
	360	25	HDS2	V	300×360×25 HDS2 V
310	350	18	HDS2	V	310×350×18 HDS2 V
	350	20	HDS2	D	310×350×20 HDS2 D
	370	25	HDS2	D	310×370×25 HDS2 D
315	355	18	HDS1	V	315×355×18 HDS1 V
318	360	20	HDS2	R	318×360×20 HDS2 R
320	350	18	HDS1	R	320×350×18 HDS1 R
	360	18	HDS1	R	320×360×18 HDS1 R
	360	18	HDS2	V	320×360×18 HDS2 V
	380	25	HDS1	R	320×380×25 HDS1 R
330	370	18	HDS1	R	330×370×18 HDS1 R
	390	25	HDS1	R	330×390×25 HDS1 R
335	375	18	HDS3	D	335×375×18 HDS3 D ²⁾
340	380	18	HDS2	V	340×380×18 HDS2 V
	380	18	HDS2	D	340×380×18 HDS2 D
	380	20	HDS2	H	340×380×20 HDS2 H
	380	20	HDS2	R	340×380×20 HDS2 R
350	380	16	HDS2	R	350×380×16 HDS2 R
	390	18	HDS2	D	350×390×18 HDS2 D
360	400	18	HDS1	R	360×400×18 HDS1 R
	400	20	HDS1	V	360×400×20 HDS1 V
	410	17	HDS1	R	360×410×17 HDS1 R
365	405	18	HDS2	R	365×405×18 HDS2 R
370	410	16	HDS2	R	370×410×16 HDS2 R
375	420	18	HDS2	R	375×420×18 HDS2 R
380	420	20	HDS2	R	380×420×20 HDS2 R
	420	20	HDS2	V	380×420×20 HDS2 V
	440	25	HDS2	R	380×440×25 HDS2 R

²⁾ 12,7 mm adjustable spacer lugs (6)

Radial shaft seals – HDS1, HDS2 and HDS3 – metric dimensions

d_1 390 – 700 mm



The table includes only a selection of sizes. For the full size range, please refer to **table 19** on **page 214**.

Please see **pages 74 to 76** for housing bore requirements.

Dimensions		Nominal seal width b	Design	Lip material	Designation
Shaft	Bore				
d_1	D				
mm					
390	430	16	HDS2	R	390×430×16 HDS2 R
395	430	18	HDS2	R	395×430×18 HDS2 R ²⁾
400	440	20	HDS1	R	400×440×20 HDS1 R
	440	20	HDS2	R	400×440×20 HDS2 R
	460	25	HDS1	R	400×460×25 HDS1 R
410	450	20	HDS2	R	410×450×20 HDS2 R
	460	22	HDS2	R	410×460×22 HDS2 R
420	460	20	HDS2	R	420×460×20 HDS2 R
	470	22	HDS1	R	420×470×22 HDS1 R ¹⁾
430	480	22	HDS1	V	430×480×22 HDS1 V
	480	25	HDS2	R	430×480×25 HDS2 R
435	485	18	HDS2	R	435×485×18 HDS2 R ²⁾
440	470	20	HDS1	R	440×470×20 HDS1 R
	480	20	HDS1	R	440×480×20 HDS1 R
445	485	20	HDS1	R	445×485×20 HDS1 R
450	490	20	HDS1	R	450×490×20 HDS1 R
448	480	16	HDS2	R	448×480×16 HDS2 R
460	500	20	HDS1	R	460×500×20 HDS1 R
	500	20	HDS1	V	460×500×20 HDS1 V
	510	22	HDS2	V	460×510×22 HDS2 V
	520	25	HDS2	R	460×520×25 HDS2 R
470	510	20	HDS1	R	470×510×20 HDS1 R
	530	26	HDS2	R	470×530×26 HDS2 R
480	520	20	HDS1	R	480×520×20 HDS1 R

¹⁾ 12,7 mm adjustable spacer lugs (4)

²⁾ 12,7 mm adjustable spacer lugs (6)

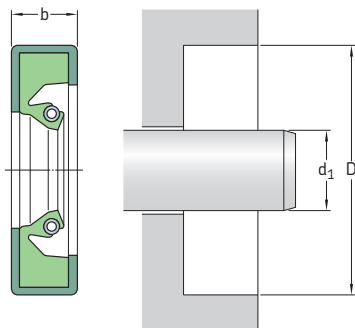
Dimensions Shaft	Bore	Nominal seal width b	Design	Lip material	Designation
d ₁	D				
mm			–	–	–
485	535	22	HDS1	R	485×535×22 HDS1 R
490	530	20	HDS1	R	490×530×20 HDS1 R
500	540 550	20 18	HDS1 HDS1	R R	500×540×20 HDS1 R 500×550×18 HDS1 R ²⁾
505	555	20,62	HDS2	R	505×555×21 HDS2 R
510	554	20	HDS1	D	510×554×20 HDS1 D
515	555	20	HDS2	R	515×555×20 HDS2 R
520	560	20	HDS1	R	520×560×20 HDS1 R
525	575	20	HDS3	D	525×575×20 HDS3 D ¹⁾
530	580 580	20 22	HDS1 HDS1	V R	530×580×20 HDS1 V 530×580×22 HDS1 R
535	580	20	HDS3	D	535×580×20 HDS3 D ²⁾
540	590	20	HDS2	V	540×590×20 HDS2 V
545	595	22	HDS1	R	545×595×22 HDS1 R
550	590	20	HDS1	R	550×590×20 HDS1 R
560	610	20	HDS1	V	560×610×20 HDS1 V
570	620	22	HDS2	R	570×620×22 HDS2 R ²⁾
580	620	20	HDS3	D	580×620×20 HDS3 D ²⁾
585	620	20	HDS2	R	585×620×20 HDS2 R
590	630	20	HDS1	R	590×630×20 HDS1 R
600	640 650 650	20 22 25	HDS1 HDS2 HDS1	R R V	600×640×20 HDS1 R 600×650×22 HDS2 R 600×650×25 HDS1 V
610	660	20	HDS2	R	610×660×20 HDS2 R
630	670	20	HDS3	D	630×670×20 HDS3 D ¹⁾
640	690	25	HDS1	R	640×690×25 HDS1 R
650	700 710	22 25	HDS2 HDS2	V R	650×700×22 HDS2 V 650×710×25 HDS2 R
660	700	18	HDS1	R	660×700×18 HDS1 R
670	714	20	HDS3	D	670×714×20 HDS3 D ²⁾
680	730	20	HDS2	R	680×730×20 HDS2 R
685	720	20	HDS2	R	685×720×20 HDS2 R
690	730	20	HDS2	R	690×730×20 HDS2 R
695	770	30	HDS1	R	695×770×30 HDS1 R
700	740	20	HDS1	R	700×740×20 HDS1 R

¹⁾ 12,7 mm adjustable spacer lugs (4)

²⁾ 12,7 mm adjustable spacer lugs (6)

Radial shaft seals – HDS1, HDS2 and HDS3 – metric dimensions

d_1 710 – 1 550 mm



The table includes only a selection of sizes. For the full size range, please refer to **table 19** on **page 214**.

Please see **pages 74 to 76** for housing bore requirements.

Dimensions Shaft	Bore	Nominal seal width b	Design	Lip material	Designation
d_1	D				
mm			–	–	–
710	760	20	HDS1	V	710×760×20 HDS1 V
720	770	25	HDS2	R	720×770×25 HDS2 R
740	780	16,50	HDS1	R	740×780×17 HDS1 R
750	780	18	HDS1	R	750×780×18 HDS1 R
	790	23	HDS1	V	750×790×23 HDS1 V
	800	25	HDS2	R	750×800×25 HDS2 R
	814	25	HDS1	R	750×814×25 HDS1 R ²⁾
760	800	20	HDS1	V	760×800×20 HDS1 V
	810	25	HDS1	R	760×810×25 HDS1 R
770	810	20	HDS1	V	770×810×20 HDS1 V
	845	27,79	HDS1	R	770×845×28 HDS1 R
780	820	19,05	HDS2	R	780×820×19 HDS2 R
790	850	25	HDS1	V	790×850×25 HDS1 V
800	840	20	HDS1	R	800×840×20 HDS1 R
810	860	25	HDS2	R	810×860×25 HDS2 R
825	860	20	HDS2	R	825×860×20 HDS2 R
850	914	25	HDS1	R	850×914×25 HDS1 R
860	920	25	HDS1	R	860×920×25 HDS1 R
880	940	25	HDS2	R	880×940×25 HDS2 R ²⁾
	944	25	HDS3	D	880×944×25 HDS3 D ²⁾
893	925	20	HDS2	H	893×925×20 HDS2 H
900	960	25	HDS1	R	900×960×25 HDS1 R ²⁾

²⁾ 12,7 mm adjustable spacer lugs (6)

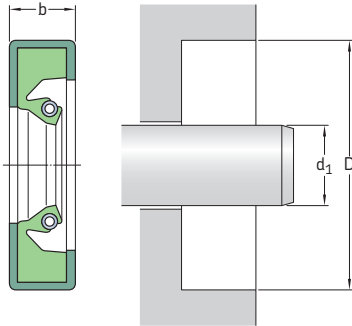
Dimensions Shaft d ₁	Bore D	Nominal seal width b	Design	Lip material	Designation
mm			–	–	–
910	974	22	HDS1	R	910×974×22 HDS1 R²⁾
920	984	25	HDS2	V	920×984×25 HDS2 V
927	978	22	HDS2	D	927×978×22 HDS2 D
939	971	15,88	HDS3	H	939×971×16 HDS3 H²⁾
940	1 000	25	HDS1	R	940×1000×25 HDS1 R¹⁾
950	1 006	20	HDS2	R	950×1006×20 HDS2 R
960	1 020 1 040	25 23	HDS2 HDS2	H V	960×1020×25 HDS2 H 960×1040×23 HDS2 V
990	1 045	25	HDS1	R	990×1045×25 HDS1 R
1 000	1 035	20	HDS2	R	1000×1035×20 HDS2 R
1 020	1 084	25	HDS1	R	1020×1084×25 HDS1 R
1 055	1 100	25	HDS2	D	1055×1100×25 HDS2 D
1 105	1 160	25	HDS1	R	1105×1160×25 HDS1 R
1 120	1 184	25	HDS2	R	1120×1184×25 HDS2 R²⁾
1 140	1 180	20	HDS1	V	1140×1180×20 HDS1 V
1 220	1 255	20	HDS2	R	1220×1255×20 HDS2 R
1 250	1 314	25	HDS2	R	1250×1314×25 HDS2 R
1 260	1 300	18	HDS1	R	1260×1300×18 HDS1 R
1 370	1 420 1 420	19,05 20	HDS2 HDS1	H R	1370×1420×19 HDS2 H 1370×1420×20 HDS1 R
1 530	1 580	20	HDS1	R	1530×1580×20 HDS1 R
1 550	1 610	25	HDS2	V	1550×1610×25 HDS2 V

¹⁾ 12,7 mm adjustable spacer lugs (4)

²⁾ 12,7 mm adjustable spacer lugs (6)

Radial shaft seals – HDS1, HDS2 and HDS3 – inch dimensions

d_1 6.000 – 9.750 in.



The table includes only a selection of sizes. For the full size range, please refer to **table 19** on **page 214**.

Please see **pages 74 to 76** for housing bore requirements.

Dimensions Shaft	Bore	Nominal seal width b	Design	Lip material	Lug ¹⁾	Designation
d_1	D					
in./mm						
6.000 152,40	7.500 190,50	0.625 15,88	HDS1	R		597623
6.750 171,45	7.750 196,85	0.625 15,88	HDS1	V		67512
7.250 184,15	8.750 222,25	0.625 15,88	HDS2	V		72510
7.500 190,50	8.750 222,25	0.625 15,88	HDS1	V		75048
7.750 196,85	9.000 228,60	0.625 15,88	HDS1	R		77531
	9.250 234,95	0.625 15,88	HDS1	V		77539
8.000 203,20	9.250 234,95	0.625 15,88	HDS1	V		77996
	9.500 241,30	0.687 17,45	HDS2	V		80009
	10.000 254,00	1.000 25,40	HDS1	R		80088
8.125 206,38	9.378 238,20	0.625 15,88	HDS1	R		593198
	10.125 257,18	1.000 25,40	HDS1	R		81253
8.250 209,55	9.500 241,30	0.625 15,88	HDS2	V		82526
	10.250 260,35	0.625 15,88	HDS2	V		82559
8.345 211,96	10.750 273,05	1.250 31,75	HDS1	R		594186
8.375 212,73	9.750 247,65	0.625 15,88	HDS3	D	4	83702

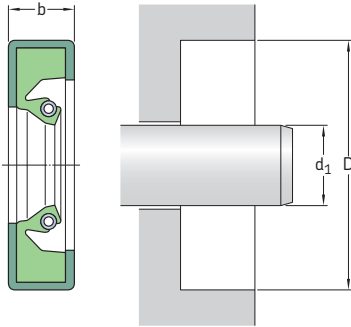
¹⁾ Number of 0,5 in. adjustable spacer lugs

Dimensions Shaft d ₁	Bore D	Nominal seal width b	Design	Lip material	Lug ¹⁾	Designation
in./mm			–	–	–	–
8.500 215,90	9.750 247,65	0.625 15,88	HDS2	D		593768
	10.500 266,70	0.625 15,88	HDS1	V		85018
8.540 215,90	9.750 247,65	0.625 15,88	HDS2	D		593855
8.625 219,08	10.500 266,70	0.750 19,05	HDS1	R		590758
	10.625 269,88	0.750 19,05	HDS1	V		86240
8.750 222,25	10.000 254,00	0.625 15,88	HDS2	R		592626
8.875 225,43	10.125 257,18	0.625 15,88	HDS2	D		593779
9.000 228,60	10.250 260,35	0.750 19,05	HDS1	R		90017
	10.500 266,70	0.625 15,88	HDS3	D	4	90027
	11.000 279,40	0.750 19,05	HDS2	R		590787
9.125 231,78	10.375 263,53	0.625 15,88	HDS1	R		592653
	10.625 269,88	0.688 17,48	HDS1	R		590270
	11.125 282,58	0.688 17,48	HDS1	R		590174
	11.125 282,50	0.813 20,65	HDS2	R		91202
9.250 234,95	10.750 273,05	0.750 19,05	HDS1	R		590093
	11.250 285,75	0.813 20,65	HDS2	V		92544
	11.250 285,75	1.000 25,40	HDS1	R		590798
9.375 238,13	11.375 288,93	0.875 22,23	HDS1	R		93751
9.438 239,73	10.635 270,13	0.750 19,05	HDS1	R		593894
9.500 241,30	10.750 273,05	0.625 15,88	HDS2	R		95045
	11.000 279,40	0.625 15,88	HDS1	R		590653
	11.500 292,10	0.813 20,65	HDS1	V		95068
	11.500 292,10	1.000 25,40	HDS1	R		590820
9.688 246,08	10.875 276,23	0.625 15,88	HDS1	R		594080
9.750 247,65	11.000 279,40	0.625 15,88	HDS3	D	4	97527
	11.750 298,45	1.000 25,40	HDS1	R		97548

¹⁾ Number of 0,5 in. adjustable spacer lugs

Radial shaft seals – HDS1, HDS2 and HDS3 – inch dimensions

d_1 9.844 – 11.813 in.



The table includes only a selection of sizes. For the full size range, please refer to **table 19** on **page 214**.

Please see **pages 74 to 76** for housing bore requirements.

Dimensions Shaft	Bore	Nominal seal width b	Design	Lip material	Lug ¹⁾	Designation
d_1	D					
in./mm			–	–	–	–
9.844 250,04	11.409 289,79	0.625 15,88	HDS2	R		98444
9.875 250,83	11.375 288,93	0.750 19,05	HDS2	R		592763
	11.500 292,10	0.750 19,05	HDS1	R		592727
9.938 252,43	12.000 304,80	1.000 25,40	HDS2	R		529752
10.000 254,00	11.250 285,75	0.625 15,88	HDS1	R		1000110
	11.250 285,75	0.625 15,88	HDS2	R		1000111
	11.500 292,10	0.625 15,88	HDS3	D	4	1000239
	11.750 298,45	0.625 15,88	HDS1	R		1000360
	11.625 295,28	0.688 17,48	HDS1	R		1013240
10.125 257,18	11.625 295,28	0.688 17,48	HDS2	R		1013242
	12.590 319,79	0.984 24,99	HDS1	R		1024690
10.250 260,35	11.500 292,10	0.625 15,88	HDS2	D		1025112
	11.750 298,45	0.688 17,48	HDS3	D	4	1025249
	11.750 298,45	0.750 19,05	HDS2	R		1025252
	11.625 295,28	0.875 22,23	HDS1	R		1038140

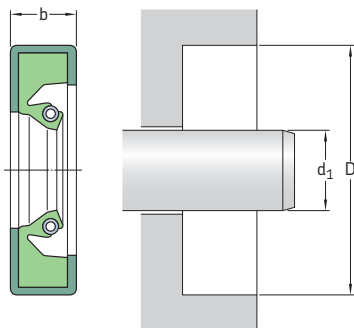
¹⁾ Number of 0,5 in. adjustable spacer lugs

Dimensions Shaft d ₁	Bore D	Nominal seal width b	Design	Lip material	Lug ¹⁾	Designation
in./mm			-	-	-	-
10.438 265,13	12.438 315,93	0.875 22,23	HDS1	R		1044560
10.500 266,70	11.750 298,45	0.625 15,88	HDS1	V		1050113
	12.000 304,80	0.625 15,88	HDS3	D	4	1050239
	12.000 304,80	0.750 19,05	HDS2	V		1050251
10.688 271,48	12.500 317,50	0.625 15,88	HDS1	V		1068456
	13.000 330,20	0.688 17,48	HDS2	V		1068693
10.750 273,05	12.000 304,80	0.625 15,88	HDS2	R		1075112
	12.000 304,80	0.625 15,88	HDS1	R		1075110
	12.250 311,15	0.625 15,88	HDS1	R		1075230
10.938 277,83	12.750 323,85	0.625 15,88	HDS1	R		1093440
11.000 279,40	12.250 311,15	0.625 15,88	HDS2	D		1100113
	12.250 311,15	0.625 15,88	HDS2	V		1100104
	12.500 317,50	0.750 19,05	HDS1	R		1100250
	13.000 330,20	0.813 20,65	HDS2	R		1100553
11.250 285,75	12.500 317,50	0.625 15,88	HDS2	R		1125111
	12.500 317,50	0.625 15,88	HDS1	R		1125110
11.375 288,93	13.000 330,20	0.750 19,05	HDS1	R		1138330
11.500 292,10	13.000 330,20	0.750 19,05	HDS2	R		1150253
	13.500 342,90	0.813 20,65	HDS1	R		1150550
	13.500 342,90	1.000 25,40	HDS1	R		1150580
11.688 296,88	12.938 328,63	0.625 15,88	HDS1	R		1169110
11.750 298,45	13.250 336,55	0.688 17,48	HDS2	V		1175224
	13.250 336,55	0.750 19,05	HDS2	R		1175252
11.811 300,00	13.378 339,80	0.709 18,01	HDS1	R		1181300
11.813 300,05	13.812 350,82	0.875 22,23	HDS1	R		1181560

¹⁾ Number of 0,5 in. adjustable spacer lugs

Radial shaft seals – HDS1, HDS2 and HDS3 – inch dimensions

d_1 12.000 – 15.250 in.



The table includes only a selection of sizes. For the full size range, please refer to **table 19** on **page 214**.

Please see **pages 74 to 76** for housing bore requirements.

Dimensions Shaft	Bore	Nominal seal width b	Design	Lip material	Lug ¹⁾	Designation
d_1	D					
in./mm						
12.000 304,80	13.500	0.625	HDS2	R		1200231
	342,90	15,88				
	13.500	0.625	HDS1	R		1200230
	342,90	15,88				
	13.500	0.625	HDS3	D	4	1200239
	342,90	15,88				
	13.500	0.688	HDS1	R		1200240
	342,90	17,48				
	13.500	0.750	HDS2	R		1200255
	342,90	19,05				
12.250 311,15	14.000	0.625	HDS1	V		1200523
	355,60	15,88				
	14.000	1.000	HDS2	R		1200585
	355,60	25,40				
	13.750	0.625	HDS3	D	4	1225239
349,25	15,88					
12.500 317,50	13.750	0.625	HDS1	R		1250110
	349,25	15,88				
	14.000	0.688	HDS3	D	4	1250249
	355,60	17,48				
	14.500	0.750	HDS1	R		1250540
	368,30	19,05				
	14.500	0.813	HDS2	V		1250554
368,30	20,65					
12.750 323,85	14.250	0.688	HDS2	V		1275243
	361,95	17,48				
	14.250	0.750	HDS2	R		1275252
361,95	19,05					
13.000 330,20	14.500	0.688	HDS2	R		1300244
	368,30	17,48				
	14.500	0.688	HDS2	V		1300283
	368,30	17,48				
	15.000	0.750	HDS2	R		1300542
381,00	19,05					

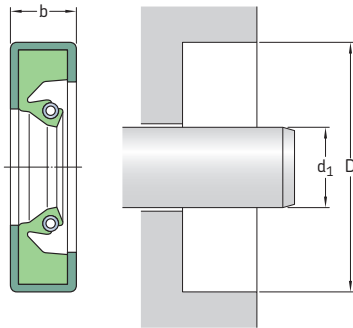
¹⁾ Number of 0,5 in. adjustable spacer lugs

Dimensions Shaft d ₁	Bore D	Nominal seal width b	Design	Lip material	Lug ¹⁾	Designation
in./mm			-	-	-	-
13.250 336,55	14.750 374,65	0.625 15,88	HDS3	D	4	1325239
	14.750 374,65	0.688 17,48	HDS2	R		1325242
13.500 342,90	15.250 387,35	0.750 19,05	HDS1	R		1350380
	15.500 393,70	0.813 20,65	HDS2	V		1350564
13.750 349,25	15.000 381,00	0.750 19,05	HDS1	R		1375130
	15.250 387,35	0.625 15,88	HDS1	R		1375230
	15.250 387,35	0.688 17,48	HDS1	R		1375240
	15.500 393,70	0.750 19,05	HDS1	R		1375380
	15.750 400,05	0.813 20,65	HDS2	V		1375553
14.000 355,60	15.500 393,70	0.625 15,88	HDS2	V		1400234
	15.500 393,70	0.625 15,88	HDS2	R		1400232
	15.500 393,70	0.750 19,05	HDS1	R		1400250
	15.750 400,05	0.688 17,48	HDS1	R		1400370
	16.000 406,40	1.000 25,40	HDS1	R		1400580
14.250 361,95	15.750 400,05	0.750 19,05	HDS2	R		1425252
	16.250 412,75	0.813 20,65	HDS2	R		1425552
14.375 365,13	16.000 406,40	0.688 17,48	HDS2	D		1438321
14.500 368,30	16.000 406,40	0.688 17,48	HDS2	R		1450242
	16.500 419,10	0.750 19,05	HDS2	R		1450542
14.750 374,65	16.500 419,10	0.875 22,23	HDS2	R		1475411
15.000 381,00	16.500 419,10	0.688 17,48	HDS1	R		1500240
	16.500 419,10	0.750 19,05	HDS1	R		1500250
	16.750 425,45	0.750 19,05	HDS1	R		1500380
	17.000 431,80	0.750 19,05	HDS3	D	4	1500549
15.250 387,35	16.750 425,45	0.750 19,05	HDS2	R		1525252
	17.250 438,15	0.750 19,05	HDS2	R		1525542
	17.250 438,15	0.875 22,23	HDS1	R		1525560

¹⁾ Number of 0,5 in. adjustable spacer lugs

Radial shaft seals – HDS1, HDS2 and HDS3 – inch dimensions

d_1 15.500 – 22.250 in.



The table includes only a selection of sizes. For the full size range, please refer to **table 19** on **page 214**.

Please see **pages 74 to 76** for housing bore requirements.

Dimensions Shaft	Bore	Nominal seal width b	Design	Lip material	Lug ¹⁾	Designation
d_1	D					
in./mm						
15.500	16.875	0.625	HDS1	R		1550160
393,70	428,63	15,88				
	17.500	0.750	HDS2	R		1550542
	444,50	19,05				
	17.500	0.813	HDS1	R		1550550
	444,50	20,65				
15.625	17.625	0.875	HDS1	R		1563560
396,88	447,68	22,23				
15.750	17.250	0.688	HDS3	D	4	1575249
400,05	438,15	17,48				
16.000	17.500	0.750	HDS1	R		1600250
406,40	444,50	19,05				
	18.000	1.000	HDS2	R		1600585
	457,20	25,40				
16.250	17.750	0.688	HDS1	R		1625240
412,75	450,85	17,48				
16.500	18.000	0.750	HDS2	R		1650252
419,10	457,20	19,05				
16.750	18.500	0.875	HDS1	V		1675413
425,45	469,90	22,23				
17.000	18.500	0.688	HDS2	R		1700245
431,80	469,90	17,48				
	18.500	0.750	HDS2	D		1700251
	469,90	19,05				
	19.000	0.750	HDS2	R		1700541
	482,60	19,05				
17.250	18.750	0.750	HDS2	R		1725255
438,15	476,25	19,05				

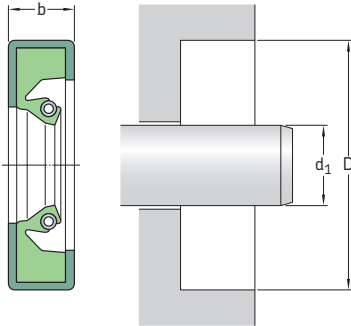
¹⁾ Number of 0,5 in. adjustable spacer lugs

Dimensions Shaft d ₁	Bore D	Nominal seal width b	Design	Lip material	Lug ¹⁾	Designation
in./mm			-	-	-	-
17.500 444,50	19,000 482,60	0.625 15,88	HDS1	R		1750230
	19,250 488,95	0.688 17,48	HDS1	R		1750370
	19,500 495,30	0.688 17,48	HDS1	R		1750530
17.625 447,68	19,250 488,95	0.688 17,48	HDS1	R		1763320
18.000 457,20	19,500 495,30	0.688 17,48	HDS3	D	4	1800249
	19,750 501,65	0.750 19,05	HDS2	R		1800382
18.250 463,55	19,750 501,65	0.750 19,05	HDS2	R		1825252
18.500 469,90	20,500 520,70	0.875 22,23	HDS1	R		1850560
18.750 476,25	20,750 527,05	0.813 20,65	HDS2	R		1875553
19.000 482,60	20,500 520,70	0.750 19,05	HDS1	R		1900250
	21,000 533,40	0.875 22,23	HDS2	V		1900562
19.250 488,95	21,250 539,75	0.938 23,24	HDS1	R		1925570
19.500 495,30	21,500 546,10	0.875 22,23	HDS1	R		1950560
20.000 508,00	21,500 546,10	0.625 15,88	HDS3	D	4	2000239
20.250 514,35	21,750 552,45	0.750 19,05	HDS1	R		2025250
20.500 520,70	22,500 571,50	0.750 19,05	HDS2	R		2050542
	22,500 571,50	0.875 22,23	HDS1	R		2050560
20.750 527,05	22,750 577,85	0.875 22,23	HDS2	D		2075562
21.000 533,40	22,750 577,85	0.813 20,65	HDS1	R		2100390
	23,000 584,20	0.625 15,87	HDS3	D	4	2100529
21.500 546,10	23,500 596,90	0.813 20,65	HDS1	R		2150550
22.000 558,80	23,500 596,90	0.750 19,05	HDS2	V		2200213
	24,000 609,60	0.875 22,23	HDS2	R		2200565
	24,000 609,60	1.250 31,75	HDS1	D		526339
22.250 565,15	24,250 615,95	0.875 22,23	HDS3	H	4	2225568

¹⁾ Number of 0,5 in. adjustable spacer lugs

Radial shaft seals – HDS1, HDS2 and HDS3 – inch dimensions

d_1 23.000 – 63.340 in.



The table includes only a selection of sizes. For the full size range, please refer to **table 19** on **page 214**.

Please see **pages 74 to 76** for housing bore requirements.

Dimensions Shaft	Bore	Nominal seal width b	Design	Lip material	Lug ¹⁾	Designation
d_1	D					
in./mm						
23.000 584,20	24.750 628,65	0.750 19,05	HDS2	V		2300384
23.500 596,90	25.500 647,70	0.875 22,23	HDS1	R		2350560
24.000 609,60	25.500 647,70	0.750 19,05	HDS1	R		2400250
		26.000 660,40	HDS2	R		2400559
24.250 615,95	26.250 666,75	0.875 22,23	HDS2	V		2425562
25.000 635,00	27.000 685,80	1.000 25,40	HDS1	R		2500580
		27.500 698,50	HDS2	R		2550585
26.000 660,40	27.625 701,68	0.750 19,05	HDS2	R		2600332
		28.500 723,90	HDS1	R		2600760
		28.500 723,90	HDS1	R		2650560
28.000 711,20	29.625 752,48	0.750 19,05	HDS2	R		2800331
		30.000 762,00	HDS2	R		2800565
		31.000 787,40	HDS2	R		2900563
29.500 749,30	31.500 800,10	0.875 22,23	HDS2	D		2950564

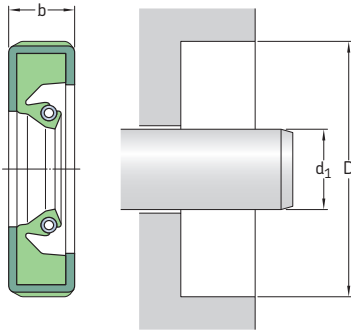
¹⁾ Number of 0,5 in. adjustable spacer lugs

Dimensions Shaft d ₁	Bore D	Nominal seal width b	Design	Lip material	Lug ¹⁾	Designation
in./mm			–	–	–	–
30.250 768,35	32.500 825,50	0.875 22,23	HDS1	R		3025660
30.500 774,70	32.500 825,50	0.875 22,23	HDS2	V		3050514
	33.000 838,20	1.000 25,40	HDS2	R		3050785
31.000 787,40	33.000 838,20	0.813 20,65	HDS1	R		3100550
32.500 825,50	34.500 876,30	0.875 22,23	HDS1	R		3250560
33.000 838,20	34.688 881,08	0.750 19,05	HDS2	R		3300351
33.500 850,90	36.000 914,40	0.875 22,23	HDS1	R		3350760
34.000 863,60	36.000 914,40	0.875 22,23	HDS1	R		3400560
34.500 876,30	36.500 927,10	0.875 22,23	HDS2	D		3450563
37.500 952,50	39.000 990,60	0.875 22,23	HDS2	R		3750272
	39.500 1 003,30	0.875 22,23	HDS1	D		3750561
38.000 965,20	40.000 1 016,00	0.875 22,23	HDS2	R		3800565
40.500 1 028,70	43.000 1 092,20	0.875 22,23	HDS2	V		4050774
43.500 1 104,90	45.500 1 155,70	0.875 22,23	HDS2	R		4350565
	45.500 1 155,70	0.875 22,23	HDS1	R		4350560
45.000 1 143,00	47.000 1 193,80	0.875 22,23	HDS1	R		4500560
46.000 1 168,40	47.500 1 206,50	0.750 19,05	HDS2	H		4600252
49.000 1 244,60	50.625 1 285,88	0.813 20,65	HDS1	R		4900340
51.500 1 308,10	53.500 1 358,90	1.500 38,10	HDS1	R		5150590
54.750 1 390,65	56.375 1 431,93	0.875 22,23	HDS1	R		5475340
62.500 1 587,50	64.000 1 625,60	0.875 22,23	HDS1	R		6250270
63.340 1 608,84	64.500 1 638,30	0.750 19,05	HDS2	D		6334342

¹⁾ Number of 0,5 in. adjustable spacer lugs

Radial shaft seals – HDS1K – inch dimensions

d_1 7.939 in.



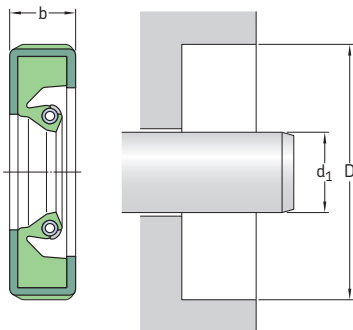
The table includes only a selection of sizes. For the full size range, please refer to **table 19** on **page 214**.

Please see **pages 74 to 76** for housing bore requirements.

Dimensions		Nominal seal width b	Design	Lip material	Designation
Shaft	Bore				
d_1	D				
in./mm			–	–	–
7.939 201,65	10,125 257,18	0,688 17,48	HDS1K	H	597606

Radial shaft seals – HDS2K – metric dimensions

d_1 340 – 810 mm

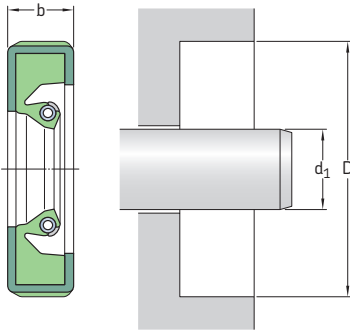


The table includes only a selection of sizes. For the full size range, please refer to **table 19** on **page 214**.

Please see **pages 74 to 76** for housing bore requirements.

Dimensions			Design	Lip material	Designation
Shaft	Bore	Nominal seal width			
d_1	D	b			
mm			–	–	–
340	380	18	HDS2K	V	340×380×18 HDS2K V
360	404	20	HDS2K	R	360×404×20 HDS2K R
400	450	18	HDS2K	R	400×450×18 HDS2K R
810	874	25	HDS2K	R	810×874×25 HDS2K R

Radial shaft seals – HDS2K – inch dimensions
 d_1 16.500 in.



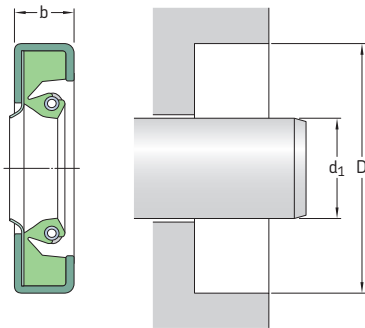
The table includes only a selection of sizes. For the full size range, please refer to **table 19** on **page 214**.

Please see **pages 74 to 76** for housing bore requirements.

Dimensions		Nominal seal width b	Design	Lip material	Designation
Shaft	Bore				
d_1	D				
in./mm			–	–	–
16,500 419,10	18,000 457,20	0.750 19,05	HDS2K	R	1650230

Radial shaft seals – HDSF and HDSH seals – metric dimensions

d_1 440 – 760 mm



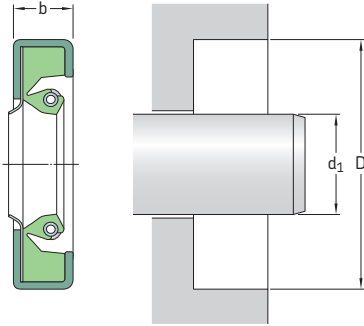
The table includes only a selection of sizes. For the full size range, please refer to **table 19** on **page 214**.

Please see **pages 74 to 76** for housing bore requirements.

Dimensions		Nominal seal width b	Design	Lip material	Designation
Shaft d_1	Bore D				
mm			–	–	–
440	490	20,40	HDSF2	VT	440x490x20 HDSF2 VT
	490	20,40	HDSH7	HT	440x490x20 HDSH7 HT
500	540	20	HDSF2	RT	500x540x20 HDSF2 RT
760	800	20	HDSF2	HT	760x800x20 HDSF2 HT
	800	20	HDSF7	HT	760x800x20 HDSF7 HT

Radial shaft seals – HDSF and HDSH seals – inch dimensions

d_1 10.500 – 31.890 in.



The table includes only a selection of sizes. For the full size range, please refer to **table 19** on **page 214**.

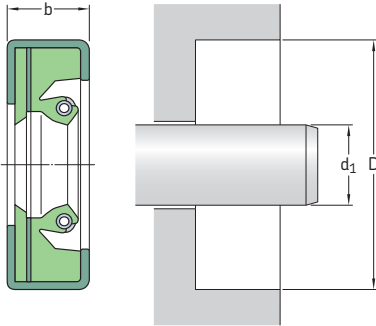
2.14

Please see **pages 74 to 76** for housing bore requirements.

Dimensions		Nominal seal width b	Design	Lip material	Designation
Shaft	Bore				
d_1	D				
in./mm			–	–	–
10.500 266,70	12.500 317,50	1.000 25,40	HDSF1	VT	1050966
14.000 355,60	16.000 406,40	1.000 25,40	HDSF1	VT	1400957
15.500 393,70	17.500 444,50	0.750 19,05	HDSH7	RT	1550951
	17.500 444,50	0.750 19,05	HDSF2	HT	1550952
16.000 406,40	18.000 457,20	0.875 22,23	HDSF2	HT	1600510
18.500 469,90	20.500 520,70	0.875 22,23	HDSF2	DT	1850953
19.000 482,60	21.000 533,40	0.870 22,10	HDSF2	VT	1900954
31.890 810,01	34.409	0.921	HDSF2	VT	3189981
	873,99	23,39			
	34.409	0.921	HDSH7	HT	3189988
	873,99	23,39			

Radial shaft seals – HDSA and HDSB seals – metric dimensions

d_1 240 – 790 mm



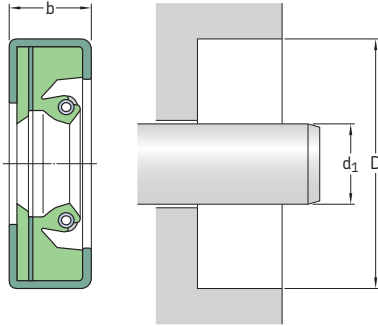
The table includes only a selection of sizes. For the full size range, please refer to **table 19** on **page 214**.

Please see **pages 74 to 76** for housing bore requirements.

Dimensions	Bore	Nominal seal width	Design	Lip material	Designation
Shaft	D	b			
d_1					
mm			–	–	–
240	280	23	HDSA1	RD	240×280×23 HDSA1 RD
270	330	25,40	HDSA1	RD	270×330×25 HDSA1 RD
310	370	25,40	HDSA1	RD	310×370×25 HDSA1 RD
317	352	23	HDSA1	RD	317×352×23 HDSA1 RD
320	360	25	HDSB2	RD	320×360×25 HDSB2 RD
	380	28	HDSA2	RD	320×360×28 HDSA2 RD
364	420	25	HDSA2	RD	364×420×25 HDSA2 RD
380	420	22,20	HDSA2	VD	380×420×22 HDSA2 VD
	440	28	HDSA2	RD	380×440×28 HDSA2 RD
390	434	22	HDSA2	VD	390×434×22 HDSA2 VD
400	460	28	HDSA2	RD	400×460×28 HDSA2 RD
430	470	20	HDSB1	RD	430×470×20 HDSB1 RD
440	480	22,23	HDSA2	VD	440×480×22 HDSA2 VD
560	620	30	HDSA2	RD	560×620×30 HDSA2 RD
580	640	30	HDSA2	RD	580×640×30 HDSA2 RD
	640	30	HDSB1	RD	580×640×30 HDSB1 RD
790	850	25	HDSA1	RD	790×850×25 HDSA1 RD

Radial shaft seals – HDSA and HDSB seals – inch dimensions

d_1 6.000 – 9.620 in.



The table includes only a selection of sizes. For the full size range, please refer to **table 19** on **page 214**.

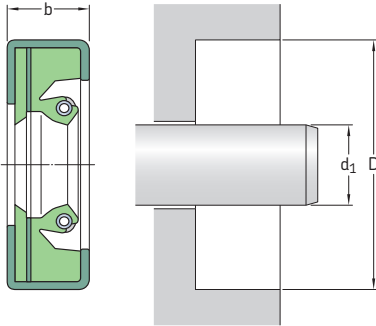
Please see **pages 74 to 76** for housing bore requirements.

Dimensions			Design	Lip material	Designation
Shaft	Bore	Nominal seal width			
d_1	D	b			
in./mm			-	-	-
6.000 152,40	7.500 190,50	0.750 19,05	HDSA1	RD	597625
6.625 168,28	8.125 206,38	0.875 22,23	HDSA2	VD	594828
7.250 184,15	8.750 222,25	0.875 22,23	HDSA2	VD	72594
8.000 203,20	10.000	1.000	HDSB1	RD	592328
	254,00	25,40			
	10.000	1.250	HDSA1	RD	592336
	254,00	31,75			
8.250 209,55	10.125	1.250	HDSB1	RD	80092
	257,18	31,75			
	10.250	1.250	HDSB1	RD	591921
8.250 209,55	260,35	22,23	HDSB1	RD	591921
	260,35	31,75	HDSB1	RD	590357
8.500 215,90	9.750	0.870	HDSA2	DD	595513
	247,65	22,10			
	10.000	0.875	HDSA1	VD	596196
	254,00	22,23			
	10.000	1.000	HDSA1	RD	590731
	254,00	25,40			
	10.500	0.875	HDSA1	VD	592798
	266,70	22,23			
	10.500	1.000	HDSB1	RD	592149
	266,70	25,40			
10.500	1.000	HDSA2	VD	594902	
266,70	25,40				
10.500	1.250	HDSA1	RD	590245	
266,70	31,75				

Dimensions			Design	Lip material	Designation
Shaft	Bore	Nominal seal width			
d_1	D	b			
in./mm			-	-	-
8.750 222,25	10.750	0.875	HDSA1	RD	592492
	273,05	22,23			
8.875 225,43	10.125	0.875	HDSA2	DD	595127
	257,18	22,23			
	10.875	0.875	HDSA1	RD	591984
	276,23	22,23			
	11.250	0.875	HDSA1	RD	592464
285,75	22,23				
9.000 228,60	10.250	0.875	HDSA2	VD	90054
	260,35	22,23			
	10.500	0.875	HDSA1	RD	597343
	266,70	22,23			
	11.000	1.000	HDSA2	VD	594903
279,40	25,40				
9.250 234,95	10.438	0.875	HDSA1	RD	92591
	265,13	22,23			
	11.000	1.375	HDSA1	RD	592452
	279,40	34,93			
	11.250	0.875	HDSA1	VD	593312
285,75	22,23				
9.375 238,13	12.750	1.250	HDSB1	RD	590688
	323,85	31,75			
9.500 241,30	11.500	1.250	HDSA2	RD	590375
	292,10	31,75			
	11.500	1.250	HDSA2	DD	593667
292,10	31,75				
9.620 244,35	12.750	1.250	HDSA1	RD	96290
	323,85	31,75			

Radial shaft seals – HDSA and HDSB seals – inch dimensions

d₁ 9.750 – 15.750 in.



The table includes only a selection of sizes. For the full size range, please refer to **table 19** on **page 214**.

Dimensions			Design	Lip material	Designation
Shaft	Bore	Nominal seal width			
d ₁	D	b	-	-	-
in./mm					
9.750 247,65	11.000	0.875	HDSA1	RD	593053
	279,40	22,23	HDSA1	DD	593428
	11.000	1.000			
	279,40	25,40	HDSA2	DD	594974
	11.125	0.875			
	282,58	22,23	HDSA2	DD	595514
	11.250	0.875			
	285,75	22,23	HDSA1	DD	595568
11.750	1.000				
298,45	25,40				
9.875 250,83	11.875	1.000	HDSA2	RD	592847
	301,63	25,40			
10.000 254,00	11.250	0.875	HDSA1	RD	1000910
	285,75	22,23	HDSA2	VD	1000914
	11.250	0.875			
	285,75	22,23	HDSA1	RD	1000920
	11.500	1.250			
	292,10	31,75	HDSA1	RD	1000950
	12.000	0.875			
	304,80	22,23	HDSA1	RD	1000952
	12.000	1.250			
	304,80	31,75	HDSB1	RD	1000953
	12.000	1.250			
304,80	31,75	HDSA1	RD	1000954	
12.000	1.500				
304,80	38,10	HDSA1	RD	1000971	
12.500	1.000				
317,50	25,40				

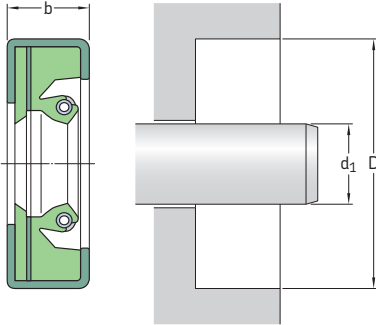
Dimensions			Design	Lip material	Designation
Shaft	Bore	Nominal seal width			
d ₁	D	b	-	-	-
in./mm					
10.500 266,70	12.500	1.000	HDSA1	RD	1050956
	317,50	25,40	HDSB1	RD	1050958
	12.500	1.000			
	317,50	25,40	HDSA1	VT	1050966
	12.500	1.000			
317,50	25,40				
10.625 269,88	12.500	0.969	HDSA1	RD	1062945
	317,50	24,61	HDSB1	RD	1063971
	13.000	1.000			
330,20	25,40				
10.688 271,48	12.500	1.000	HDSA1	RD	1068940
	317,50	25,40			
10.750 273,05	12.500	0.875	HDSA2	RD	1075942
	317,50	22,23	HDSB1	RD	1075991
	13.371	1.250			
339,62	31,75				
11.000 279,40	12.500	1.250	HDSA1	RD	1100918
	317,50	31,75	HDSA1	RD	1100950
	13.000	0.875			
	330,20	22,23	HDSA1	RD	1100951
	13.000	1.000			
	330,20	25,40	HDSA1	RD	1100952
	13.000	1.250			
	330,20	31,75	HDSB1	RD	1100953
	13.000	1.250			
	330,20	31,75	HDSA1	RD	1100971
	13.500	1.250			
342,90	31,75				
11.417 290,00	12.994	0.875	HDSA1	VD	1141937
	330,00	22,23	HDSA2	VD	1141273
	13.000	0.875			
	330,20	22,23			

Dimensions			Design	Lip material	Designation
Shaft	Bore	Nominal seal width			
d_1	D	b			
in./mm			-	-	-
11.500	13.000	0.750	HDSA1	RD	115025
<i>292,10</i>	<i>330,20</i>	<i>19,05</i>			
	13.000	0.875	HDSA1	DD	1150925
	<i>330,20</i>	<i>22,23</i>			
	13.000	1.063	HDSA1	RD	1150920
	<i>330,20</i>	<i>27,00</i>			
11.750	13.250	0.875	HDSA2	VD	1175924
<i>298,45</i>	<i>336,55</i>	<i>22,23</i>			
	13.250	0.875	HDSA2	RD	527709
	<i>336,55</i>	<i>22,23</i>			
	13.750	1.250	HDSB1	RD	1175952
	<i>349,25</i>	<i>31,75</i>			
12.000	13.500	0.875	HDSA1	RD	1200920
<i>304,80</i>	<i>342,90</i>	<i>22,23</i>			
	14.000	0.844	HDSA2	VD	1200962
	<i>355,60</i>	<i>21,44</i>			
	14.000	1.000	HDSB1	RD	1200958
	<i>355,60</i>	<i>25,40</i>			
	14.000	1.250	HDSB1	RD	1200952
	<i>355,60</i>	<i>31,75</i>			
12.250	14.250	1.250	HDSA2	RD	1225588
<i>311,15</i>	<i>361,95</i>	<i>20,65</i>			
	14.250	1.250	HDSA1	RD	1225960
	<i>361,95</i>	<i>31,75</i>			
12.500	13.750	0.906	HDSA2	RD	1250912
<i>317,50</i>	<i>349,25</i>	<i>23,00</i>			
	14.000	0.875	HDSA2	DD	1250272
	<i>356,60</i>	<i>22,23</i>			
	14.000	0.875	HDSA2	DD	1250922
	<i>355,60</i>	<i>22,23</i>			
	14.500	1.250	HDSA1	RD	1250950
	<i>368,30</i>	<i>31,75</i>			
12.750	14.750	1.250	HDSB1	RD	1275950
<i>323,85</i>	<i>374,65</i>	<i>31,75</i>			
12.875	14.125	0.875	HDSA2	RD	1287912
<i>327,03</i>	<i>358,78</i>	<i>22,23</i>			
13.000	14.500	0.875	HDSA1	RD	1300900
<i>330,20</i>	<i>368,30</i>	<i>22,23</i>			
	14.500	0.875	HDSB1	RD	1300929
	<i>368,30</i>	<i>22,23</i>			
	14.500	1.000	HDSA1	RD	1300920
	<i>368,30</i>	<i>25,40</i>			
13.250	14.750	0.906	HDSA2	DD	1325922
<i>336,55</i>	<i>374,65</i>	<i>23,00</i>			
	14.750	0.906	HDSA2	VD	1325928
	<i>374,65</i>	<i>23,00</i>			
	14.875	1.000	HDSA2	DD	1325932
	<i>377,83</i>	<i>25,40</i>			
	15.000	1.250	HDSA1	RD	1325940
	<i>381,00</i>	<i>31,75</i>			
	15.250	1.000	HDSA1	RD	1325950
	<i>387,35</i>	<i>25,40</i>			

Dimensions			Design	Lip material	Designation
Shaft	Bore	Nominal seal width			
d_1	D	b			
in./mm			-	-	-
13.386	15.000	0.875	HDSA2	VD	1338273
<i>340,00</i>	<i>381,00</i>	<i>22,23</i>			
13.500	15.500	0.875	HDSA2	RD	1350954
<i>342,90</i>	<i>393,70</i>	<i>22,23</i>			
	15.500	1.250	HDSB1	RD	1350970
	<i>393,70</i>	<i>31,75</i>			
	15.500	1.250	HDSB1	VD	593517
	<i>393,70</i>	<i>31,75</i>			
13.750	15.500	0.875	HDSA1	VD	1375418
<i>349,25</i>	<i>393,70</i>	<i>22,23</i>			
13.875	15.125	0.875	HDSA2	RD	1387912
<i>352,43</i>	<i>384,18</i>	<i>22,23</i>			
13.938	15.744	1.250	HDSA2	RD	1394942
<i>354,03</i>	<i>399,90</i>	<i>31,75</i>			
14.000	15.500	1.000	HDSA1	RD	1400925
<i>355,60</i>	<i>393,90</i>	<i>25,40</i>			
	16.000	1.000	HDSA1	VT	1400957
	<i>406,40</i>	<i>25,40</i>			
	16.000	1.375	HDSA1	RD	1400950
	<i>406,40</i>	<i>34,93</i>			
	16.250	1.000	HDSA2	RD	1400965
	<i>412,75</i>	<i>25,40</i>			
	16.250	1.000	HDSA2	VD	528307
	<i>412,75</i>	<i>25,40</i>			
	16.750	0.968	HDSB2	RD	1400981
	<i>425,45</i>	<i>24,59</i>			
14.250	15.750	1.000	HDSA1	RD	1425920
<i>361,95</i>	<i>400,05</i>	<i>25,40</i>			
	16.250	1.000	HDSB1	RD	1425950
	<i>412,75</i>	<i>25,40</i>			
14.400	15.587	0.875	HDSB1	RD	1440901
<i>365,76</i>	<i>395,91</i>	<i>22,23</i>			
15.000	17.000	0.875	HDSA1	RD	1500951
<i>381,00</i>	<i>431,80</i>	<i>22,23</i>			
	17.000	1.250	HDSA1	RD	1500950
	<i>431,80</i>	<i>31,75</i>			
	17.500	1.000	HDSA1	RD	1500973
	<i>444,50</i>	<i>25,40</i>			
15.125	16.375	0.875	HDSA2	RD	1512912
<i>384,18</i>	<i>415,93</i>	<i>22,23</i>			
15.313	17.313	0.813	HDSA2	RD	592865
<i>388,95</i>	<i>439,75</i>	<i>20,65</i>			
	17.313	0.875	HDSA1	RD	1531950
	<i>439,75</i>	<i>22,23</i>			
15.375	16.625	0.875	HDSA2	RD	1537142
<i>390,53</i>	<i>422,28</i>	<i>22,23</i>			
15.750	17.750	1.250	HDSA1	RD	1575910
<i>400,05</i>	<i>450,85</i>	<i>31,75</i>			

Radial shaft seals – HDSA and HDSB seals – inch dimensions

d_1 16.000 – 46.840 in.



The table includes only a selection of sizes. For the full size range, please refer to **table 19** on **page 214**.

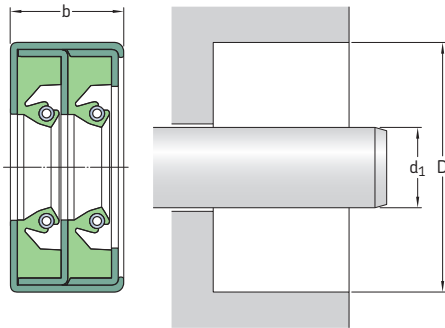
Please see **pages 74 to 76** for housing bore requirements.

Dimensions		Nominal seal width <i>b</i>	Design	Lip material	Designation	Dimensions		Nominal seal width <i>b</i>	Design	Lip material	Designation
Shaft	Bore					Shaft	Bore				
d_1	D					d_1	D				
in./mm			-	-	-	in./mm			-	-	-
16.000 406,40	18.000 457,20	0.875 22,23	HDSA1	RD	1600951	19.500 495,30	21.500 546,10	1.250 31,75	HDSA1	RD	1950950
	18.000 457,20	1.000 25,40	HDSA2	RD	1600955	19.750 501,65	22.125 561,98	1.000 25,40	HDSA1	RD	1975972
	18.000 457,20	1.125 28,58	HDSB1	RD	1600940	20.000 508,00	21.250 539,75	1.375 34,93	HDSA1	RD	2000913
	18.000 457,20	1.125 28,58	HDSA1	RD	1600941		21.500 546,10	0.875 22,23	HDSA1	VD	593789
16.375 415,93	17.562 446,07	1.000 25,40	HDSA1	RD	1637901	20.438 519,13	22.500 571,50	1.000 25,40	HDSA1	RD	2044580
17.000 431,80	18.250 463,55	0.875 22,23	HDSA2	RD	1700142	20.500 520,70	22.000 558,80	1.500 38,10	HDSA2	RD	2050282
	19.000 482,60	1.250 31,75	HDSA1	RD	1700950		22.500 571,50	0.875 22,23	HDSA2	VD	2050954
17.500 444,50	19.000 482,60	1.250 31,75	HDSA1	RD	1750920	20.750 527,05	22.750 577,85	1.250 31,75	HDSA1	RD	2075950
	19.500 495,30	1.000 25,40	HDSA2	RD	1750958	21.000 533,40	22.250 565,15	1.375 34,93	HDSA1	RD	2100913
	19.500 495,30	1.250 31,75	HDSA1	RD	1750952	21.250 539,75	23.000 584,20	0.875 22,23	HDSA1	RD	2125940
18.000 457,20	20.000 508,00	1.500 38,10	HDSA1	RD	1800950	21.500 546,10	23.500 596,90	1.000 25,40	HDSA1	RD	594356
	20.250 514,35	1.000 25,40	HDSA2	RD	1800965	22.000 558,80	23.500 596,90	0.875 22,23	HDSA1	RD	2200920
	20.250 514,35	1.000 25,40	HDSA2	VD	528308	23.000 584,20	24.500 622,30	0.875 22,23	HDSB1	RD	2300921
18.500 469,90	20.500 520,70	0.968 24,59	HDSA2	VD	1850952						
19.250 488,95	20.750 527,05	0.875 22,23	HDSA1	RD	1925920						

Dimensions			Design	Lip material	Designation
Shaft	Bore	Nominal seal width			
d_1	D	b			
in./mm			-	-	-
24.000 <i>609,60</i>	26.250 <i>666,75</i>	0.875 <i>22,23</i>	HDSA2	RD	2400962
24.250 <i>615,95</i>	26.250 <i>666,75</i>	0.875 <i>22,23</i>	HDSA1	VD	2425950
25.000	27.500 <i>698,50</i>	1.000 <i>25,40</i>	HDSB1	RD	2500971
32.000 <i>812,80</i>	34.000 <i>863,60</i>	0.875 <i>22,23</i>	HDSA2	DD	3200958
45.000 <i>1 143,00</i>	46.627 <i>1 184,33</i>	1.000 <i>25,40</i>	HDSB2	RD	4500930
46.840 <i>1 189,74</i>	48.000 <i>1 219,20</i>	1.188 <i>30,18</i>	HDSA2	RD	4684912

Radial shaft seals – HDSE1 – metric dimensions

d_1 850 mm



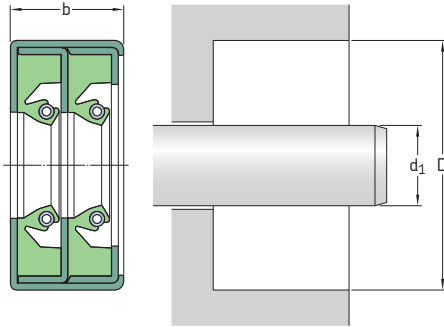
The table includes only a selection of sizes. For the full size range, please refer to **table 19** on **page 214**.

Please see **pages 74 to 76** for housing bore requirements.

Dimensions		Nominal seal width b	Design	Lip material	Designation
Shaft	Bore				
d_1	D				
mm			–	–	–
850	910	50	HDSE1	RR	850×910×50 HDSE1 RR

Radial shaft seals – HDSD and HDSE seals – inch dimensions

d_1 18.000 – 63.130 in.



The table includes only a selection of sizes. For the full size range, please refer to **table 19** on **page 214**.

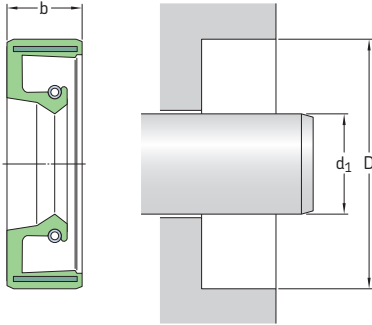
Please see **pages 74 to 76** for housing bore requirements.

Dimensions Shaft	Bore	Nominal seal width b	Design	Lip material	Designation
d_1	D				
in./mm					
18.000	20.000	1.250	HDSD2	RR	1800570
457,20	508,00	31,75			
	20.000	1.500	HDSD1	RR	1800956
	508,00	38,10			
	20.250	1.250	HDSE2	RR	1800966
	514,35	31,75			
18.500	20.000	1.250	HDSD2	RR	1850922
469,90	508,00	31,75			
19.125	21.250	1.750	HDSD1	RR	1913960
485,78	539,75	44,45			
20.000	22.000	1.813	HDSE1	RR	2000951
508,00	558,80	46,05			
21.750	24.750	1.500	HDSD1	RR	2175920
552,45	628,65	38,10			
	24.750	1.500	HDSD2	VV	2175992
	628,65	38,10			
	24.750	1.500	HDSD1	VV	2175997
	628,65	38,10			
	24.750	1.500	HDSE1	VV	2175998
	628,65	38,10			
22.000	24.000	1.250	HDSD1	RR	2200953
558,80	609,60	31,75			
	24.000	1.250	HDSE2	DD	2200958
	609,60	31,75			
	24.000	1.250	HDSD2	DD	2200962
	609,60	31,75			
23.000	24.750	1.250	HDSE1	VV	2300983
584,20	628,65	31,75			
23.500	25.500	1.250	HDSD2	RR	2350955
596,90	647,70	31,75			
25.500	28.500	1.250	HDSD2	RR	2550912
647,70	723,90	31,75			

Dimensions Shaft d_1	Bore D	Nominal seal width b	Design	Lip material	Designation
in./mm			–	–	–
27.000 685,80	29,000 736,60	1.875 47,63	HDSE2	DD	2700953
27.688 703,28	29,812 757,23	1.250 31,75	HDSE2	RR	2769915
28.000 711,20	31,000 787,40	1.250 31,75	HDSD2	DD	2800998
29.000 736,60	31,000 787,40	1.750 44,45	HDSD1	RR	2900954
31.000 787,40	34,000 863,60	1.250 31,75	HDSD2	RR	3100992
33.000 838,20	34,500 876,30	1.250 31,75	HDSD1	RR	3300920
	34,500 876,30	1.250 31,75	HDSE1	RR	3300921
33.500 850,90	35,500 901,70	1.750 44,45	HDSE1	RR	3350950
35.500 901,70	38,000 965,20	1.250 31,75	HDSE2	VV	3550974
36.000 914,40	38,000 965,20	1.500 38,10	HDSE2	RR	3600954
38.000 965,20	40,000 1 016,00	1.313 33,35	HDSE1	RR	3800950
63.130 1 603,50	64,625 1 641,48	1.375 34,93	HDSD1	RD	6313922

Radial shaft seals – SBF – metric dimensions

d_1 175 – 900 mm



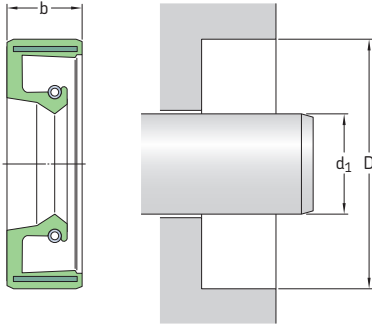
The table includes only a selection of available sizes. Contact your SKF sales representative for more information.

Please see **pages 74 to 76** for housing bore requirements.

Dimensions		Nominal seal width b	Designations	
Shaft d_1	Bore D		Lip material R	V
mm			–	
175	205	15	175×205×15 SBF R	175×205×15 SBF V
230	260	15	230×260×15 SBF R	230×260×15 SBF V
240	270	15	240×270×15 SBF R	240×270×15 SBF V
	280	16	240×280×16 SBF R	240×280×16 SBF V
245	275	16	245×275×16 SBF R	245×275×16 SBF V
260	290	16	260×290×16 SBF R	260×290×16 SBF V
	310	16	260×310×16 SBF R	260×310×16 SBF V
270	235	16	270×235×16 SBF R	270×235×16 SBF V
290	330	18	290×330×18 SBF R	290×330×18 SBF V
	334	20	290×334×20 SBF R	290×334×20 SBF V
300	344	20	300×344×20 SBF R	300×344×20 SBF V
316	360	20	316×360×20 SBF R	316×360×20 SBF V
325	365	16	325×365×16 SBF R	325×365×16 SBF V
340	380	20	340×380×20 SBF R	340×380×20 SBF V
360	400	20	360×400×20 SBF R	360×400×20 SBF V
385	430	25	385×430×25 SBF R	385×430×25 SBF V
390	430	20	390×430×20 SBF R	390×430×20 SBF V
400	440	20	400×440×20 SBF R	400×440×20 SBF V
430	480	22	430×480×22 SBF R	430×480×22 SBF V
440	490	25	440×490×25 SBF R	440×490×25 SBF V
450	500	25	450×500×25 SBF R	450×500×25 SBF V
900	960	27	900×960×27 SBF R	900×960×27 SBF V

Radial shaft seals – SBF – inch dimensions

d_1 11.000 – 27.500 in.



The table includes only a selection of available sizes. Contact your SKF sales representative for more information.

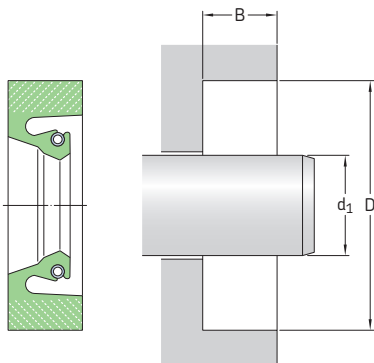
2.18

Please see **pages 74 to 76** for housing bore requirements.

Dimensions		Nominal seal width b	Designations Lip material R	V
Shaft d_1	Bore D			
in./mm		–		
11.000 279,40	12.500 317,50	0.625 15,88	SBF 5809 R	SBF 5809 V
20.500 520,70	22.500 571,50	0.875 22,23	SBF 7083 R	SBF 7083 V
21.500 546,10	23.469 596,10	0.875 22,23	SBF 7175 R	SBF 7175 V
23.000 584,20	24.500 622,30	0.750 19,05	SBF 7270 R	SBF 7270 V
27.500 698,50	29.500 749,30	1.000 25,40	SBF 7406 R	SBF 7406 V

Radial shaft seals – HSF1 (split) and HSF5 (solid) – metric dimensions

d_1 40 – 215 mm



The table includes only a selection of available sizes. Contact your SKF sales representative for more information.

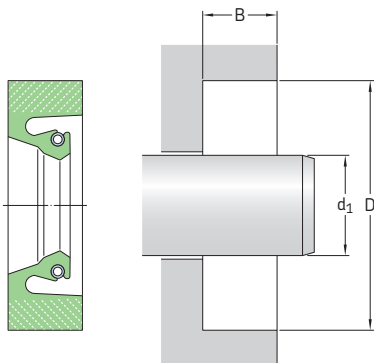
Please see **pages 74 to 76** for housing bore requirements.

Dimensions		Designations		
Shaft diameter d_1	Bore diameter D	Bore depth B	Split version (HSF1) Lip material R, V	Solid version (HSF5) Lip material R, V
mm				
40	60	10	40×60×10 HSF1 R	40×60×10 HSF5 R
			40×60×10 HSF1 V	40×60×10 HSF5 V
55	80	12,20	55×80×12 HSF1 R	55×80×12 HSF5 R
			55×80×12 HSF1 V	55×80×12 HSF5 V
60	80	10	60×80×10 HSF1 R	60×80×10 HSF5 R
			60×80×10 HSF1 V	60×80×10 HSF5 V
70	102	12,50	70×102×13 HSF1 R	70×102×13 HSF5 R
			70×102×13 HSF1 V	70×102×13 HSF5 V
80	100	8	80×100×8 HSF1 R	80×100×8 HSF5 R
			80×100×8 HSF1 V	80×100×8 HSF5 V
	112	12,50	80×112×13 HSF1 R	80×112×13 HSF5 R
			80×112×13 HSF1 V	80×112×13 HSF5 V
84	100	8	84×100×8 HSF1 R	84×100×8 HSF5 R
			84×100×8 HSF1 V	84×100×8 HSF5 V
85	101	8	85×101×8 HSF1 R	85×101×8 HSF5 R
			85×101×8 HSF1 V	85×101×8 HSF5 V
	120	12	85×120×12 HSF1 R	85×120×12 HSF5 R
			85×120×12 HSF1 V	85×120×12 HSF5 V
90	110	12	90×110×12 HSF1 R	90×110×12 HSF5 R
			90×110×12 HSF1 V	90×110×12 HSF5 V
100	116	8	100×116×8 HSF1 R	100×116×8 HSF5 R
			100×116×8 HSF1 V	100×116×8 HSF5 V
	130	10	100×130×10 HSF1 R	100×130×10 HSF5 R
			100×130×10 HSF1 V	100×130×10 HSF5 V
110	130	12	110×130×12 HSF1 R	110×130×12 HSF5 R
			110×130×12 HSF1 V	110×130×12 HSF5 V
120	150	13	120×150×13 HSF1 R	120×150×13 HSF5 R
			120×150×13 HSF1 V	120×150×13 HSF5 V

Dimensions Shaft diameter d_1	Bore diameter D	Bore depth B	Designations	
			Split version (HSF1) Lip material R, V	Solid version (HSF5) Lip material R, V
mm			–	
125	155	12,50	125×155×13 HSF1 R 125×155×13 HSF1 V	125×155×13 HSF5 R 125×155×13 HSF5 V
	160	12	125×160×12 HSF1 R 125×160×12 HSF1 V	125×160×12 HSF5 R 125×160×12 HSF5 V
127	165	16	127×165×16 HSF1 R 127×165×16 HSF1 V	127×165×16 HSF5 R 127×165×16 HSF5 V
135	160	12	135×160×12 HSF1 R 135×160×12 HSF1 V	135×160×12 HSF5 R 135×160×12 HSF5 V
140	170	12	140×170×12 HSF1 R 140×170×12 HSF1 V	140×170×12 HSF5 R 140×170×12 HSF5 V
145	180	14	145×180×14 HSF1 R 145×180×14 HSF1 V	145×180×14 HSF5 R 145×180×14 HSF5 V
150	180	12	150×180×12 HSF1 R 150×180×12 HSF1 V	150×180×12 HSF5 R 150×180×12 HSF5 V
160	190	15	160×190×15 HSF1 R 160×190×15 HSF1 V	160×190×15 HSF5 R 160×190×15 HSF5 V
	200	10	160×200×10 HSF1 R 160×200×10 HSF1 V	160×200×10 HSF5 R 160×200×10 HSF5 V
170	200	12	170×200×12 HSF1 R 170×200×12 HSF1 V	170×200×12 HSF5 R 170×200×12 HSF5 V
	200	16	170×200×16 HSF1 R 170×200×16 HSF1 V	170×200×16 HSF5 R 170×200×16 HSF5 V
	211	16	170×211×16 HSF1 R 170×211×16 HSF1 V	170×211×16 HSF5 R 170×211×16 HSF5 V
	211	16	170×211×16 HSF1 R 170×211×16 HSF1 V	170×211×16 HSF5 R 170×211×16 HSF5 V
175	200	15	175×200×15 HSF1 R 175×200×15 HSF1 V	175×200×15 HSF5 R 175×200×15 HSF5 V
180	200	15	180×200×15 HSF1 R 180×200×15 HSF1 V	180×200×15 HSF5 R 180×200×15 HSF5 V
	222	16	180×222×16 HSF1 R 180×222×16 HSF1 V	180×222×16 HSF5 R 180×222×16 HSF5 V
185	225	16	185×225×16 HSF1 R 185×225×16 HSF1 V	185×225×16 HSF5 R 185×225×16 HSF5 V
190	220	15	190×220×15 HSF1 R 190×220×15 HSF1 V	190×220×15 HSF5 R 190×220×15 HSF5 V
	225	18	190×225×18 HSF1 R 190×225×18 HSF1 V	190×225×18 HSF5 R 190×225×18 HSF5 V
	230	16	190×230×16 HSF1 R 190×230×16 HSF1 V	190×230×16 HSF5 R 190×230×16 HSF5 V
200	240	16	200×240×16 HSF1 R 200×240×16 HSF1 V	200×240×16 HSF5 R 200×240×16 HSF5 V
	250	18	200×250×18 HSF1 R 200×250×18 HSF1 V	200×250×18 HSF5 R 200×250×18 HSF5 V
210	240	12	210×240×12 HSF1 R 210×240×12 HSF1 V	210×240×12 HSF5 R 210×240×12 HSF5 V
	250	16	210×250×16 HSF1 R 210×250×16 HSF1 V	210×250×16 HSF5 R 210×250×16 HSF5 V
215	248	15	215×248×15 HSF1 R 215×248×15 HSF1 V	215×248×15 HSF5 R 215×248×15 HSF5 V
	250	16	215×250×16 HSF1 R 215×250×16 HSF1 V	215×250×16 HSF5 R 215×250×16 HSF5 V

Radial shaft seals – HSF1 (split) and HSF5 (solid) – metric dimensions

d₁ 220 – 335 mm



The table includes only a selection of available sizes. Contact your SKF sales representative for more information.

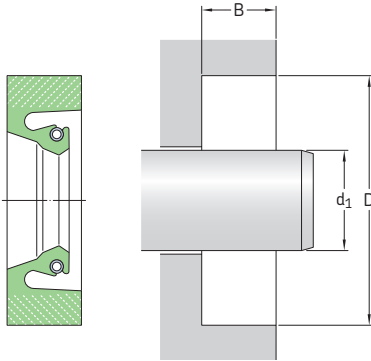
Please see **pages 74 to 76** for housing bore requirements.

Dimensions			Designations	
Shaft diameter d ₁	Bore diameter D	Bore depth B	Split version (HSF1) Lip material R, V	Solid version (HSF5) Lip material R, V
mm			–	
220	180	16	220×180×16 HSF1 R 220×180×16 HSF1 V	220×180×16 HSF5 R 220×180×16 HSF5 V
	260	16	220×260×16 HSF1 R 220×260×16 HSF1 V	220×260×16 HSF5 R 220×260×16 HSF5 V
226	276	22,22	226×276×22 HSF1 R 226×276×22 HSF1 V	226×276×22 HSF5 R 226×276×22 HSF5 V
	260	15	230×260×15 HSF1 R 230×260×15 HSF1 V	230×260×15 HSF5 R 230×260×15 HSF5 V
230	270	16	230×270×16 HSF1 R 230×270×16 HSF1 V	230×270×16 HSF5 R 230×270×16 HSF5 V
	265	15	235×265×15 HSF1 R 235×265×15 HSF1 V	235×265×15 HSF5 R 235×265×15 HSF5 V
235	275	20	235×275×20 HSF1 R 235×275×20 HSF1 V	235×275×20 HSF5 R 235×275×20 HSF5 V
	276	16	236×276×16 HSF1 R 236×276×16 HSF1 V	236×276×16 HSF5 R 236×276×16 HSF5 V
236	275	18	240×275×18 HSF1 R 240×275×18 HSF1 V	240×275×18 HSF5 R 240×275×18 HSF5 V
	280	18	240×280×18 HSF1 R 240×280×18 HSF1 V	240×280×18 HSF5 R 240×280×18 HSF5 V
240	290	25	240×290×25 HSF1 R 240×290×25 HSF1 V	240×290×25 HSF5 R 240×290×25 HSF5 V
	280	15	250×280×15 HSF1 R 250×280×15 HSF1 V	250×280×15 HSF5 R 250×280×15 HSF5 V
250	290	16,50	250×290×17 HSF1 R 250×290×17 HSF1 V	250×290×17 HSF5 R 250×290×17 HSF5 V
	290	16	260×290×16 HSF1 R 260×290×16 HSF1 V	260×290×16 HSF5 R 260×290×16 HSF5 V
260	304	20	260×304×20 HSF1 R 260×304×20 HSF1 V	260×304×20 HSF5 R 260×304×20 HSF5 V
	310	15	270×310×15 HSF1 R 270×310×15 HSF1 V	270×310×15 HSF5 R 270×310×15 HSF5 V
270	314	20	270×314×20 HSF1 R 270×314×20 HSF1 V	270×314×20 HSF5 R 270×314×20 HSF5 V

Dimensions Shaft diameter d_1	Bore diameter D	Bore depth B	Designations	
			Split version (HSF1) Lip material R, V	Solid version (HSF5) Lip material R, V
mm			–	
275	315	20	275×315×20 HSF1 R 275×315×20 HSF1 V	275×315×20 HSF5 R 275×315×20 HSF5 V
280	320	16	280×320×16 HSF1 R 280×320×16 HSF1 V	280×320×16 HSF5 R 280×320×16 HSF5 V
	320	20	280×320×20 HSF1 R 280×320×20 HSF1 V	280×320×20 HSF5 R 280×320×20 HSF5 V
	324	20	280×324×20 HSF1 R 280×324×20 HSF1 V	280×324×20 HSF5 R 280×324×20 HSF5 V
285	310	15	285×310×15 HSF1 R 285×310×15 HSF1 V	285×310×15 HSF5 R 285×310×15 HSF5 V
289	327	19	289×327×19 HSF1 R 289×327×19 HSF1 V	289×327×19 HSF5 R 289×327×19 HSF5 V
290	330	20	290×330×20 HSF1 R 290×330×20 HSF1 V	290×330×20 HSF5 R 290×330×20 HSF5 V
	334	20	290×334×20 HSF1 R 290×334×20 HSF1 V	290×334×20 HSF5 R 290×334×20 HSF5 V
292	330	15,87	292×330×16 HSF1 R 292×330×16 HSF1 V	292×330×16 HSF5 R 292×330×16 HSF5 V
300	340	16,50	300×340×17 HSF1 R 300×340×17 HSF1 V	300×340×17 HSF5 R 300×340×17 HSF5 V
	340	20	300×340×20 HSF1 R 300×340×20 HSF1 V	300×340×20 HSF5 R 300×340×20 HSF5 V
304	348	20	304×348×20 HSF1 R 304×348×20 HSF1 V	304×348×20 HSF5 R 304×348×20 HSF5 V
308	352	20	308×352×20 HSF1 R 308×352×20 HSF1 V	308×352×20 HSF5 R 308×352×20 HSF5 V
310	345	18	310×345×18 HSF1 R 310×345×18 HSF1 V	310×345×18 HSF5 R 310×345×18 HSF5 V
	354	20,50	310×354×21 HSF1 R 310×354×21 HSF1 V	310×354×21 HSF5 R 310×354×21 HSF5 V
311	345	18,30	311×345×18 HSF1 R 311×345×18 HSF1 V	311×345×18 HSF5 R 311×345×18 HSF5 V
314	355	20	314×355×20 HSF1 R 314×355×20 HSF1 V	314×355×20 HSF5 R 314×355×20 HSF5 V
316	360	20	316×360×20 HSF1 R 316×360×20 HSF1 V	316×360×20 HSF5 R 316×360×20 HSF5 V
320	350	15	320×350×15 HSF1 R 320×350×15 HSF1 V	320×350×15 HSF5 R 320×350×15 HSF5 V
	360	18	320×360×18 HSF1 R 320×360×18 HSF1 V	320×360×18 HSF5 R 320×360×18 HSF5 V
328	372	20,20	328×372×20 HSF1 R 328×372×20 HSF1 V	328×372×20 HSF5 R 328×372×20 HSF5 V
330	370	18	330×370×18 HSF1 R 330×370×18 HSF1 V	330×370×18 HSF5 R 330×370×18 HSF5 V
	374	20	330×374×20 HSF1 R 330×374×20 HSF1 V	330×374×20 HSF5 R 330×374×20 HSF5 V
335	373	19	335×373×19 HSF1 R 335×373×19 HSF1 V	335×373×19 HSF5 R 335×373×19 HSF5 V

Radial shaft seals – HSF1 (split) and HSF5 (solid) – metric dimensions

d₁ 340 – 530 mm



The table includes only a selection of available sizes. Contact your SKF sales representative for more information.

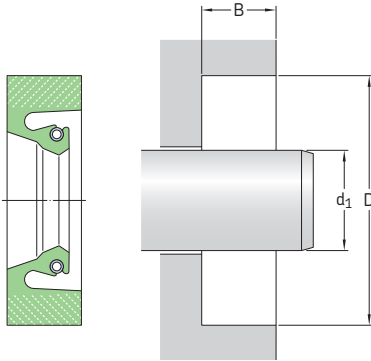
Please see **pages 74 to 76** for housing bore requirements.

Dimensions		Bore depth B	Designations	
Shaft diameter d ₁	Bore diameter D		Split version (HSF1) Lip material R, V	Solid version (HSF5) Lip material R, V
mm				
340	380	16	CR340×380×16 HSF1 R 340×380×16 HSF1 V	340×380×16 HSF5 R 340×380×16 HSF5 V
	380	20	340×380×20 HSF1 R 340×380×20 HSF1 V	340×380×20 HSF5 R 340×380×20 HSF5 V
350	380	17,70	350×380×18 HSF1 R 350×380×18 HSF1 V	350×380×18 HSF5 R 350×380×18 HSF5 V
	394	20	350×394×20 HSF1 R 350×394×20 HSF1 V	350×394×20 HSF5 R 350×394×20 HSF5 V
360	404	20	360×404×20 HSF1 R 360×404×20 HSF1 V	360×404×20 HSF5 R 360×404×20 HSF5 V
	410	20	360×410×20 HSF1 R 360×410×20 HSF1 V	360×410×20 HSF5 R 360×410×20 HSF5 V
362	400	20	362×400×20 HSF1 R 362×400×20 HSF1 V	362×400×20 HSF5 R 362×400×20 HSF5 V
	406	22	362×406×22 HSF1 R 362×406×22 HSF1 V	362×406×22 HSF5 R 362×406×22 HSF5 V
370	410	20	370×410×20 HSF1 R 370×410×20 HSF1 V	370×410×20 HSF5 R 370×410×20 HSF5 V
	414	20	370×414×20 HSF1 R 370×414×20 HSF1 V	370×414×20 HSF5 R 370×414×20 HSF5 V
380	420	20	380×420×20 HSF1 R 380×420×20 HSF1 V	380×420×20 HSF5 R 380×420×20 HSF5 V
	387	431	22,50	387×431×23 HSF1 R 387×431×23 HSF1 V
438		25,40	387×438×25 HSF1 R 387×438×25 HSF1 V	387×438×25 HSF5 R 387×438×25 HSF5 V
390	430	20	390×430×20 HSF1 R 390×430×20 HSF1 V	390×430×20 HSF5 R 390×430×20 HSF5 V
	395	439	20	395×439×20 HSF1 R 395×439×20 HSF1 V
439		20,50	395×439×21 HSF1 R 395×439×21 HSF1 V	395×439×21 HSF5 R 395×439×21 HSF5 V

Dimensions Shaft diameter d_1	Bore diameter D	Bore depth B	Designations	Solid version (HSF5)
			Split version (HSF1) Lip material R, V	Lip material R, V
mm			–	
400	440	20	400×440×20 HSF1 R 400×440×20 HSF1 V	400×440×20 HSF5 R 400×440×20 HSF5 V
	450	22	400×450×22 HSF1 R 400×450×22 HSF1 V	400×450×22 HSF5 R 400×450×22 HSF5 V
420	460	20	420×460×20 HSF1 R 420×460×20 HSF1 V	420×460×20 HSF5 R 420×460×20 HSF5 V
	470	25	420×470×25 HSF1 R 420×470×25 HSF1 V	420×470×25 HSF5 R 420×470×25 HSF5 V
430	480	25	430×480×25 HSF1 R 430×480×25 HSF1 V	430×480×25 HSF5 R 430×480×25 HSF5 V
435	485	22	435×485×22 HSF1 R 435×485×22 HSF1 V	435×485×22 HSF5 R 435×485×22 HSF5 V
438	476	24	438×476×24 HSF1 R 438×476×24 HSF1 V	438×476×24 HSF5 R 438×476×24 HSF5 V
440	480	20	440×480×20 HSF1 R 440×480×20 HSF1 V	440×480×20 HSF5 R 440×480×20 HSF5 V
	490	20	440×490×20 HSF1 R 440×490×20 HSF1 V	440×490×20 HSF5 R 440×490×20 HSF5 V
446	486	16,50	446×486×17 HSF1 R 446×486×17 HSF1 V	446×486×17 HSF5 R 446×486×17 HSF5 V
450	490	18	450×490×18 HSF1 R 450×490×18 HSF1 V	450×490×18 HSF5 R 450×490×18 HSF5 V
	500	22	450×500×22 HSF1 R 450×500×22 HSF1 V	450×500×22 HSF5 R 450×500×22 HSF5 V
460	510	22	460×510×22 HSF1 R 460×510×22 HSF1 V	460×510×22 HSF5 R 460×510×22 HSF5 V
	510	25	460×510×25 HSF1 R 460×510×25 HSF1 V	460×510×25 HSF5 R 460×510×25 HSF5 V
470	520	25	470×520×25 HSF1 R 470×520×25 HSF1 V	470×520×25 HSF5 R 470×520×25 HSF5 V
480	520	18	480×520×18 HSF1 R 480×520×18 HSF1 V	480×520×18 HSF5 R 480×520×18 HSF5 V
	530	22	480×530×22 HSF1 R 480×530×22 HSF1 V	480×530×22 HSF5 R 480×530×22 HSF5 V
	550	25	480×550×25 HSF1 R 480×550×25 HSF1 V	480×550×25 HSF5 R 480×550×25 HSF5 V
495	545	22	495×545×22 HSF1 R 495×545×22 HSF1 V	495×545×22 HSF5 R 495×545×22 HSF5 V
500	540	10	500×540×10 HSF1 R 500×540×10 HSF1 V	500×540×10 HSF5 R 500×540×10 HSF5 V
	550	20	500×550×20 HSF1 R 500×550×20 HSF1 V	500×550×20 HSF5 R 500×550×20 HSF5 V
520	560	18	520×560×18 HSF1 R 520×560×18 HSF1 V	520×560×18 HSF5 R 520×560×18 HSF5 V
	560	20	520×560×20 HSF1 R 520×560×20 HSF1 V	520×560×20 HSF5 R 520×560×20 HSF5 V
525	575	22	525×575×22 HSF1 R 525×575×22 HSF1 V	525×575×22 HSF5 R 525×575×22 HSF5 V
530	580	22	530×580×22 HSF1 R 530×580×22 HSF1 V	530×580×22 HSF5 R 530×580×22 HSF5 V
	580	25	530×580×25 HSF1 R 530×580×25 HSF1 V	530×580×25 HSF5 R 530×580×25 HSF5 V

Radial shaft seals – HSF1 (split) and HSF5 (solid) – metric dimensions

d₁ 535 – 840 mm



The table includes only a selection of available sizes. Contact your SKF sales representative for more information.

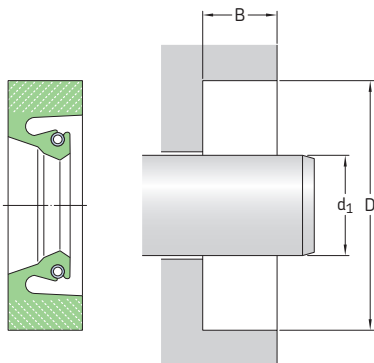
Please see **pages 74 to 76** for housing bore requirements.

Dimensions		Bore depth B	Designations	
Shaft diameter d ₁	Bore diameter D		Split version (HSF1) Lip material R, V	Solid version (HSF5) Lip material R, V
mm				
535	585	22	535×585×22 HSF1 R	535×585×22 HSF5 R
			535×585×22 HSF1 V	535×585×22 HSF5 V
540	590	22	540×590×22 HSF1 R	540×590×22 HSF5 R
			540×590×22 HSF1 V	540×590×22 HSF5 V
	590	30	540×590×30 HSF1 R	540×590×30 HSF5 R
540×590×30 HSF1 V			540×590×30 HSF5 V	
550	600	22,30	550×600×22 HSF1 R	550×600×22 HSF5 R
			550×600×22 HSF1 V	550×600×22 HSF5 V
560	604	20	560×604×20 HSF1 R	560×604×20 HSF5 R
			560×604×20 HSF1 V	560×604×20 HSF5 V
	610	22,30	560×610×22 HSF1 R	560×610×22 HSF5 R
560×610×22 HSF1 V			560×610×22 HSF5 V	
570	616	19	570×616×19 HSF1 R	570×616×19 HSF5 R
			570×616×19 HSF1 V	570×616×19 HSF5 V
	620	25	570×620×25 HSF1 R	570×620×25 HSF5 R
570×620×25 HSF1 V			570×620×25 HSF5 V	
575	625	22	575×625×22 HSF1 R	575×625×22 HSF5 R
			575×625×22 HSF1 V	575×625×22 HSF5 V
580	630	22	580×630×22 HSF1 R	580×630×22 HSF5 R
			580×630×22 HSF1 V	580×630×22 HSF5 V
600	650	22	600×650×22 HSF1 R	600×650×22 HSF5 R
			600×650×22 HSF1 V	600×650×22 HSF5 V
620	670	22	620×670×22 HSF1 R	620×670×22 HSF5 R
			620×670×22 HSF1 V	620×670×22 HSF5 V
	684	25	620×684×25 HSF1 R	620×684×25 HSF5 R
			620×684×25 HSF1 V	620×684×25 HSF5 V
625	689	25	625×689×25 HSF1 R	625×689×25 HSF5 R
			625×689×25 HSF1 V	625×689×25 HSF5 V
630	690	30	630×690×30 HSF1 R	630×690×30 HSF5 R
			630×690×30 HSF1 V	630×690×30 HSF5 V

Dimensions Shaft diameter d_1	Bore diameter D	Bore depth B	Designations	Solid version (HSF5)
			Split version (HSF1) Lip material R, V	Lip material R, V
mm			–	
635	705	30	635×705×30 HSF1 R 635×705×30 HSF1 V	635×705×30 HSF5 R 635×705×30 HSF5 V
650	690	18	650×690×18 HSF1 R 650×690×18 HSF1 V	650×690×18 HSF5 R 650×690×18 HSF5 V
660	724	25	660×724×25 HSF1 R 660×724×25 HSF1 V	660×724×25 HSF5 R 660×724×25 HSF5 V
670	734	25	670×734×25 HSF1 R 670×734×25 HSF1 V	670×734×25 HSF5 R 670×734×25 HSF5 V
685	749	25	685×749×25 HSF1 R 685×749×25 HSF1 V	685×749×25 HSF5 R 685×749×25 HSF5 V
700	760	30	700×760×30 HSF1 R 700×760×30 HSF1 V	700×760×30 HSF5 R 700×760×30 HSF5 V
710	770	30	710×770×30 HSF1 R 710×770×30 HSF1 V	710×770×30 HSF5 R 710×770×30 HSF5 V
	774	25	710×774×25 HSF1 R 710×774×25 HSF1 V	710×774×25 HSF5 R 710×774×25 HSF5 V
730	794	25	730×794×25 HSF1 R 730×794×25 HSF1 V	730×794×25 HSF5 R 730×794×25 HSF5 V
736	800	25	736×800×25 HSF1 R 736×800×25 HSF1 V	736×800×25 HSF5 R 736×800×25 HSF5 V
740	785	18	740×785×18 HSF1 R 740×785×18 HSF1 V	740×785×18 HSF5 R 740×785×18 HSF5 V
744	808	25	744×808×25 HSF1 R 744×808×25 HSF1 V	744×808×25 HSF5 R 744×808×25 HSF5 V
750	810	30	750×810×30 HSF1 R 750×810×30 HSF1 V	750×810×30 HSF5 R 750×810×30 HSF5 V
	814	25	750×814×25 HSF1 R 750×814×25 HSF1 V	750×814×25 HSF5 R 750×814×25 HSF5 V
760	820	30	760×820×30 HSF1 R 760×820×30 HSF1 V	760×820×30 HSF5 R 760×820×30 HSF5 V
770	834	25	770×834×25 HSF1 R 770×834×25 HSF1 V	770×834×25 HSF5 R 770×834×25 HSF5 V
780	844	25	780×844×25 HSF1 R 780×844×25 HSF1 V	780×844×25 HSF5 R 780×844×25 HSF5 V
790	850	30	790×850×30 HSF1 R 790×850×30 HSF1 V	790×850×30 HSF5 R 790×850×30 HSF5 V
800	860	30	800×860×30 HSF1 R 800×860×30 HSF1 V	800×860×30 HSF5 R 800×860×30 HSF5 V
	865	25	800×865×25 HSF1 R 800×865×25 HSF1 V	800×865×25 HSF5 R 800×865×25 HSF5 V
810	860	25	810×860×25 HSF1 R 810×860×25 HSF1 V	810×860×25 HSF5 R 810×860×25 HSF5 V
	874	22	810×874×22 HSF1 R 810×874×22 HSF1 V	810×874×22 HSF5 R 810×874×22 HSF5 V
840	904	25	840×904×25 HSF1 R 840×904×25 HSF1 V	840×904×25 HSF5 R 840×904×25 HSF5 V

Radial shaft seals – HSF1 (split) and HSF5 (solid) – metric dimensions

d₁ 850 – 1 110 mm



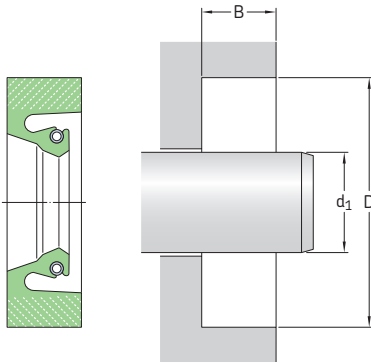
The table includes only a selection of available sizes. Contact your SKF sales representative for more information.

Please see **pages 74 to 76** for housing bore requirements.

Dimensions		Designations		
Shaft diameter d ₁	Bore diameter D	Bore depth B	Split version (HSF1) Lip material R, V	Solid version (HSF5) Lip material R, V
mm				
850	900	22	850×900×22 HSF1 R 850×900×22 HSF1 V	850×900×22 HSF5 R 850×900×22 HSF5 V
	904	25	850×904×25 HSF1 R 850×904×25 HSF1 V	850×904×25 HSF5 R 850×904×25 HSF5 V
	910	30	850×910×30 HSF1 R 850×910×30 HSF1 V	850×910×30 HSF5 R 850×910×30 HSF5 V
900	960	30	900×960×30 HSF1 R 900×960×30 HSF1 V	900×960×30 HSF5 R 900×960×30 HSF5 V
	964	32	900×964×32 HSF1 R 900×964×32 HSF1 V	900×964×32 HSF5 R 900×964×32 HSF5 V
910	974	25	910×974×25 HSF1 R 910×974×25 HSF1 V	910×974×25 HSF5 R 910×974×25 HSF5 V
	974	25,40	910×974×25 HSF1 R 910×974×25 HSF1 V	910×974×25 HSF5 R 910×974×25 HSF5 V
920	984	25	920×984×25 HSF1 R 920×984×25 HSF1 V	920×984×25 HSF5 R 920×984×25 HSF5 V
	1 000	25	950×1000×25 HSF1 R 950×1000×25 HSF1 V	950×1000×25 HSF5 R 950×1000×25 HSF5 V
950	1 010	30	950×1010×30 HSF1 R 950×1010×30 HSF1 V	950×1010×30 HSF5 R 950×1010×30 HSF5 V
	1 024	25	960×1024×25 HSF1 R 960×1024×25 HSF1 V	960×1024×25 HSF5 R 960×1024×25 HSF5 V
970	1 020	25	970×1020×25 HSF1 R 970×1020×25 HSF1 V	970×1020×25 HSF5 R 970×1020×25 HSF5 V
	1 034	25	970×1034×25 HSF1 R 970×1034×25 HSF1 V	970×1034×25 HSF5 R 970×1034×25 HSF5 V
1 000	1 064	25	1000×1064×25 HSF1 R 1000×1064×25 HSF1 V	1000×1064×25 HSF5 R 1000×1064×25 HSF5 V
	1 043,10	13,70	1016×1043×14 HSF1 R 1016×1043×14 HSF1 V	1016×1043×14 HSF5 R 1016×1043×14 HSF5 V
1 110	1 174	25	1110×1174×25 HSF1 R 1110×1174×25 HSF1 V	1110×1174×25 HSF5 R 1110×1174×25 HSF5 V

Radial shaft seals – HSF1 (split) and HSF5 (solid) – inch dimensions

d_1 1.000 – 5.874 in.



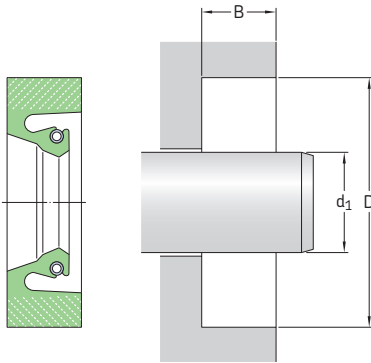
The table includes only a selection of available sizes. Contact your SKF sales representative for more information.

Please see pages 74 to 76 for housing bore requirements.

Dimensions		Bore depth B	Designations		Solid version (HSF5)	
Shaft diameter d_1	Bore diameter D		Split version (HSF1) Lip material R	V	Lip material R	V
in./mm			–			
1.000 25,40	1.874 47,60	0.375 9,53	HSF1 5001 R	HSF1 5001 V	HSF5 5001 R	HSF5 5001 V
2.750 69,85	3.375 85,73	0.313 7,95	HSF1 5156 R	HSF1 5156 V	HSF5 5156 R	HSF5 5156 V
3.248 82,50	4.500 114,30	0.500 12,70	HSF1 5225 R	HSF1 5225 V	HSF5 5225 R	HSF5 5225 V
3.500 88,90	4.500 114,30	0.500 12,70	HSF1 5252 R	HSF1 5252 V	HSF5 5252 R	HSF5 5252 V
3.874 98,40	4.878 123,90	0.500 12,70	HSF1 5265 R	HSF1 5265 V	HSF5 5265 R	HSF5 5265 V
4.000 101,60	5.000 127,00	0.500 12,70	HSF1 5310 R	HSF1 5310 V	HSF5 5310 R	HSF5 5310 V
4.425 112,40	5.500 139,70	0.562 14,27	HSF1 5353 R	HSF1 5353 V	HSF5 5353 R	HSF5 5353 V
4.437 112,70	5.465 138,81	0.583 14,81	HSF1 5351 R	HSF1 5351 V	HSF5 5351 R	HSF5 5351 V
4.874 123,80	5.874 149,20	0.500 12,70	HSF1 5391 R	HSF1 5391 V	HSF5 5391 R	HSF5 5391 V
5.205 132,21	6.504 165,20	0.591 15,01	HSF1 5431 R	HSF1 5431 V	HSF5 5431 R	HSF5 5431 V
5.622 142,80	6.622 168,20	0.625 15,88	HSF1 5471 R	HSF1 5471 V	HSF5 5471 R	HSF5 5471 V
5.750 146,05	7.000 177,80	0.625 15,88	HSF1 5489 R	HSF1 5489 V	HSF5 5489 R	HSF5 5489 V
5.874 149,20	7.000 177,80	0.492 12,50	HSF1 5498 R	HSF1 5498 V	HSF5 5498 R	HSF5 5498 V

Radial shaft seals – HSF1 (split) and HSF5 (solid) – inch dimensions

d₁ 6.000 – 17.000 in.



The table includes only a selection of available sizes. Contact your SKF sales representative for more information.

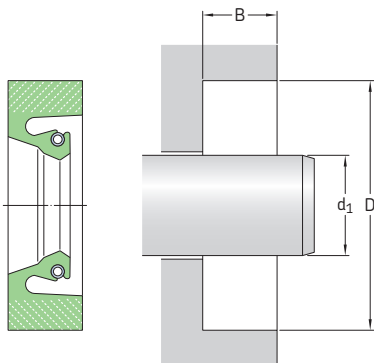
Please see pages 74 to 76 for housing bore requirements.

Dimensions		Designations		Solid version (HSF5)		
Shaft diameter d ₁	Bore diameter D	Bore depth B	Split version (HSF1) Lip material R	V	Lip material R	V
in./mm			–			
6.000 152,40	7.126 181,00	0.630 16,00	HSF1 5509 R	HSF1 5509 V	HSF5 5509 R	HSF5 5509 V
	7.500 190,50	0.625 15,88	HSF1 5510 R	HSF1 5510 V	HSF5 5510 R	HSF5 5510 V
6.500 165,10	8.000 203,20	0.750 19,05	HSF1 5570 R	HSF1 5570 V	HSF5 5570 R	HSF5 5570 V
6.748 171,40	7.750 196,85	0.750 19,05	HSF1 5585 R	HSF1 5585 V	HSF5 5585 R	HSF5 5585 V
7.000 177,80	8.000 203,20	0.437 11,10	HSF1 5587 R	HSF1 5587 V	HSF5 5587 R	HSF5 5587 V
	8.250 209,55	0.750 19,05	HSF1 5600 R	HSF1 5600 V	HSF5 5600 R	HSF5 5600 V
7.250 184,15	8.500 215,90	0.625 15,88	HSF1 5624 R	HSF1 5624 V	HSF5 5624 R	HSF5 5624 V
7.500 190,50	8.500 215,90	0.625 15,88	HSF1 5662 R	HSF1 5662 V	HSF5 5662 R	HSF5 5662 V
7.677 195,00	8.677 220,40	0.500 12,70	HSF1 5667 R	HSF1 5667 V	HSF5 5667 R	HSF5 5667 V
8.598 218,39	9.843 250,01	0.591 15,01	HSF1 5764 R	HSF1 5764 V	HSF5 5764 R	HSF5 5764 V
8.750 222,25	10.000 254,00	0.625 15,88	HSF1 5790 R	HSF1 5790 V	HSF5 5790 R	HSF5 5790 V
9.625 244,48	11.635 295,53	1.000 25,40	HSF1 5878 R	HSF1 5878 V	HSF5 5878 R	HSF5 5878 V
9.843 250,01	10.843 275,41	0.500 12,70	HSF1 5885 R	HSF1 5885 V	HSF5 5885 R	HSF5 5885 V
10.000 254,00	11.250 285,75	0.625 15,88	HSF1 5910 R	HSF1 5910 V	HSF5 5910 R	HSF5 5910 V
10.250 260,35	12.250 311,15	0.750 19,05	HSF1 5950 R	HSF1 5950 V	HSF5 5950 R	HSF5 5950 V

Dimensions Shaft diameter d ₁	Bore diameter D	Bore depth B	Designations		Solid version (HSF5)	
			Split version (HSF1) Lip material R	V	Lip material R	V
in./mm			–			
11.000 279,40	12.181 309,40	0.591 15,01	HSF1 6000 R	HSF1 6000 V	HSF5 6000 R	HSF5 6000 V
11.250 285,75	12.500 317,50	0.625 15,88	HSF1 6040 R	HSF1 6040 V	HSF5 6040 R	HSF5 6040 V
11.260 286,00	13.250 336,55	0.591 15,01	HSF1 6049 R	HSF1 6049 V	HSF5 6049 R	HSF5 6049 V
11.417 289,99	12.417 315,39	0.500 12,70	HSF1 6055 R	HSF1 6055 V	HSF5 6055 R	HSF5 6055 V
12.250 311,15	14.250 361,95	0.813 20,65	HSF1 6150 R	HSF1 6150 V	HSF5 6150 R	HSF5 6150 V
12.484 317,09	14.000 355,60	0.630 16,00	HSF1 6172 R	HSF1 6172 V	HSF5 6172 R	HSF5 6172 V
12.500 317,50	14.000 355,60	0.750 19,05	HSF1 6173 R	HSF1 6173 V	HSF5 6173 R	HSF5 6173 V
12.504 317,60	14.000 355,60	0.687 17,45	HSF1 6175 R	HSF1 6175 V	HSF5 6175 R	HSF5 6175 V
12.746 323,75	14.248 361,90	0.687 17,45	HSF1 6192 R	HSF1 6192 V	HSF5 6192 R	HSF5 6192 V
	14.750 374,65	1.000 25,40	HSF1 6195 R	HSF1 6195 V	HSF5 6195 R	HSF5 6195 V
13.000 330,20	14.500 368,30	0.687 17,45	HSF1 6230 R	HSF1 6230 V	HSF5 6230 R	HSF5 6230 V
	14.500 368,30	0.687 17,45	HSF1 6230 R	HSF1 6230 V	HSF5 6230 R	HSF5 6230 V
13.500 342,90	15.000 381,00	0.750 19,05	HSF1 6271 R	HSF1 6271 V	HSF5 6271 R	HSF5 6271 V
14.370 365,00	16.118 409,40	0.750 19,05	HSF1 6350 R	HSF1 6350 V	HSF5 6350 R	HSF5 6350 V
14.500 368,30	16.250 412,75	0.625 15,88	HSF1 6370 R	HSF1 6370 V	HSF5 6370 R	HSF5 6370 V
14.961 380,01	16.961 430,81	0.813 20,65	HSF1 6425 R	HSF1 6425 V	HSF5 6425 R	HSF5 6425 V
15.250 387,35	17.250 438,15	0.875 22,23	HSF1 6460 R	HSF1 6460 V	HSF5 6460 R	HSF5 6460 V
15.992 406,20	17.500 444,50	0.687 17,45	HSF1 6550 R	HSF1 6550 V	HSF5 6550 R	HSF5 6550 V
16.000 406,40	18.000 457,20	0.750 19,05	HSF1 6560 R	HSF1 6560 V	HSF5 6560 R	HSF5 6560 V
	18.000 457,20	0.813 20,65	HSF1 6565 R	HSF1 6565 V	HSF5 6565 R	HSF5 6565 V
	18.000 457,20	0.906 23,01	HSF1 6575 R	HSF1 6575 V	HSF5 6575 R	HSF5 6575 V
16.226 412,14	17.750 450,85	0.687 17,45	HSF1 6590 R	HSF1 6590 V	HSF5 6590 R	HSF5 6590 V
16.500 419,10	17.750 450,85	0.750 19,05	HSF1 6600 R	HSF1 6600 V	HSF5 6600 R	HSF5 6600 V
17.000 431,80	19.000 482,60	0.813 20,65	HSF1 6645 R	HSF1 6645 V	HSF5 6645 R	HSF5 6645 V

Radial shaft seals – HSF1 (split) and HSF5 (solid) – inch dimensions

d₁ 17.248 – 48.000 in.



The table includes only a selection of available sizes. Contact your SKF sales representative for more information.

Please see **pages 74 to 76** for housing bore requirements.

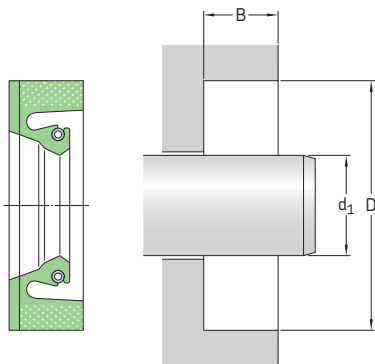
Dimensions		Designations				
Shaft diameter d ₁	Bore diameter D	Bore depth B	Split version (HSF1) Lip material R	V	Solid version (HSF5) Lip material R	V
in./mm			–			
17.248 438,10	18.748 476,20	0.750 19,05	HSF1 6656 R	HSF1 6656 V	HSF5 6656 R	HSF5 6656 V
18.169 461,49	21.260 540,00	1.220 30,99	HSF1 6734 R	HSF1 6734 V	HSF5 6734 R	HSF5 6734 V
20.500 520,70	22.500 571,50	1.000 25,40	HSF1 6890 R	HSF1 6890 V	HSF5 6890 R	HSF5 6890 V
21.000 533,40	23.000 584,20	0.875 22,23	HSF1 6930 R	HSF1 6930 V	HSF5 6930 R	HSF5 6930 V
22.000 558,80	24.000 609,60	0.875 22,23	HSF1 7000 R	HSF1 7000 V	HSF5 7000 R	HSF5 7000 V
23.248 590,50	25.250 641,35	0.813 20,65	HSF1 7100 R	HSF1 7100 V	HSF5 7100 R	HSF5 7100 V
23.501 596,93	22.001 558,83	0.750 19,05	HSF1 6990 R	HSF1 6990 V	HSF5 6990 R	HSF5 6990 V
30.000 762,00	32.500 825,50	1.000 25,40	HSF1 7520 R	HSF1 7520 V	HSF5 7520 R	HSF5 7520 V
30.461 773,71	32.500 825,50	0.906 23,01	HSF1 7525 R	HSF1 7525 V	HSF5 7525 R	HSF5 7525 V
31.000 787,40	33.000 838,20	0.906 23,01	HSF1 7570 R	HSF1 7570 V	HSF5 7570 R	HSF5 7570 V
31.250 793,75	33.250 844,55	0.750 19,05	HSF1 7580 R	HSF1 7580 V	HSF5 7580 R	HSF5 7580 V
32.500 825,50	34.500 876,30	0.875 22,23	HSF1 7700 R	HSF1 7700 V	HSF5 7700 R	HSF5 7700 V
	34.500 876,30	1.000 25,40	HSF1 7710 R	HSF1 7710 V	HSF5 7710 R	HSF5 7710 V
33.000 838,20	35.000 889,00	0.906 23,01	HSF1 7730 R	HSF1 7730 V	HSF5 7730 R	HSF5 7730 V

Dimensions Shaft diameter d ₁	Bore diameter D	Bore depth B	Designations		Solid version (HSF5)	
			Split version (HSF1) Lip material R	V	Lip material R	V
in./mm			–			
34.375 873,13	36.875 936,63	1.250 31,75	HSF1 7810 R	HSF1 7810 V	HSF5 7810 R	HSF5 7810 V
36.500 927,10	39.000 990,60	1.250 31,75	HSF1 7895 R	HSF1 7895 V	HSF5 7895 R	HSF5 7895 V
36.748 933,40	38.749 984,22	0.875 22,23	HSF1 7900 R	HSF1 7900 V	HSF5 7900 R	HSF5 7900 V
38.000 965,20	40.000 1016,00	0.875 22,23	HSF1 7990 R	HSF1 7990 V	HSF5 7990 R	HSF5 7990 V
39.118 993,60	40.000 1016,00	0.500 12,70	HSF1 8170 R	HSF1 8170 V	HSF5 8170 R	HSF5 8170 V
48.000 1219,20	49.000 1244,60	1.260 32,00	HSF1 8400 R	HSF1 8400 V	HSF5 8400 R	HSF5 8400 V

2.19

Radial shaft seals – HSF2 (split) and HSF6 (solid) – metric dimensions

d_1 127 – 800 mm

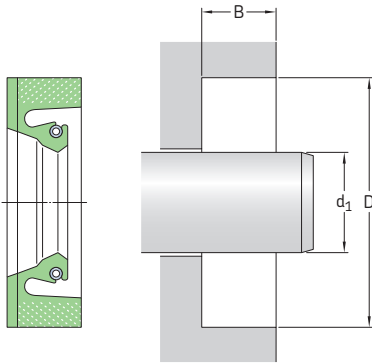


The table includes only a selection of available sizes. Contact your SKF sales representative for more information.

Please see **pages 74 to 76** for housing bore requirements.

Dimensions		Designations		
Shaft diameter d_1	Bore diameter D	Bore depth B	Split version (HSF2) Lip material R, V	Solid version (HSF6) Lip material R, V
mm			–	
127	158,80	12,30	127×159×12 HSF2 R 127×159×12 HSF2 V	127×159×12 HSF6 R 127×159×12 HSF6 V
275	319,50	19	275×320×19 HSF2 R 275×320×19 HSF2 V	275×320×19 HSF6 R 275×320×19 HSF6 V
320	364	18	320×364×18 HSF2 R 320×364×18 HSF2 V	320×364×18 HSF6 R 320×364×18 HSF6 V
800	864	21,60	800×864×22 HSF2 R 800×864×22 HSF2 V	800×864×22 HSF6 R 800×864×22 HSF6 V

Radial shaft seals – HSF2 (split) and HSF6 (solid) – inch dimensions
 d_1 21.000 in.



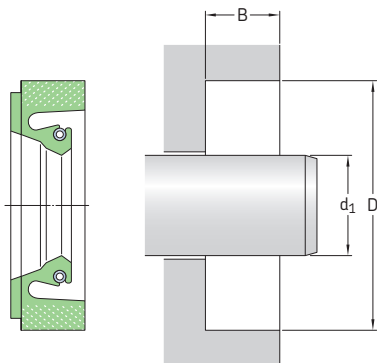
The table includes only a selection of available sizes. Contact your SKF sales representative for more information.

Please see **pages 74 to 76** for housing bore requirements.

Dimensions		Designations				
Shaft diameter d_1	Bore diameter D	Bore depth B	Split version (HSF2) Lip material R	V	Solid version (HSF6) Lip material R	V
in./mm			–			
21.000 533,40	23.000 584,20	0.875 22,23	HSF2 6930 R	HSF2 6930 V	HSF6 6930 R	HSF6 6930 V

Radial shaft seals – HSF3 (split) and HSF7 (solid) – metric dimensions

d₁ 80 – 380 mm



The table includes only a selection of available sizes. Contact your SKF sales representative for more information.

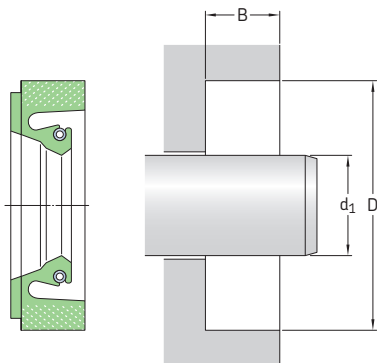
Please see **pages 74 to 76** for housing bore requirements.

Dimensions		Designations		
Shaft diameter d ₁	Bore diameter D	Bore depth B	Split version (HSF3) Lip material R, V	Solid version (HSF7) Lip material R, V
mm				
80	95	10	80×95×10 HSF3 R 80×95×10 HSF3 V	80×95×10 HSF7 R 80×95×10 HSF7 V
100	130	12,50	100×130×13 HSF3 R 100×130×13 HSF3 V	100×130×13 HSF7 R 100×130×13 HSF7 V
140	180	16	140×180×16 HSF3 R 140×180×16 HSF3 V	140×180×16 HSF7 R 140×180×16 HSF7 V
150	190	16	150×190×16 HSF3 R 150×190×16 HSF3 V	150×190×16 HSF7 R 150×190×16 HSF7 V
160	200	16	160×200×16 HSF3 R 160×200×16 HSF3 V	160×200×16 HSF7 R 160×200×16 HSF7 V
165	195	15	165×195×15 HSF3 R 165×195×15 HSF3 V	165×195×15 HSF7 R 165×195×15 HSF7 V
220	250	15	220×250×15 HSF3 R 220×250×15 HSF3 V	220×250×15 HSF7 R 220×250×15 HSF7 V
	260	18	220×260×18 HSF3 R 220×260×18 HSF3 V	220×260×18 HSF7 R 220×260×18 HSF7 V
230	270	16	230×270×16 HSF3 R 230×270×16 HSF3 V	230×270×16 HSF7 R 230×270×16 HSF7 V
235	265	15,30	235×265×15 HSF3 R 235×265×15 HSF3 V	235×265×15 HSF7 R 235×265×15 HSF7 V
240	280	18	240×280×18 HSF3 R 240×280×18 HSF3 V	240×280×18 HSF7 R 240×280×18 HSF7 V
	290	25	240×290×25 HSF3 R 240×290×25 HSF3 V	240×290×25 HSF7 R 240×290×25 HSF7 V
245	285	16	245×285×16 HSF3 R 245×285×16 HSF3 V	245×285×16 HSF7 R 245×285×16 HSF7 V
250	280	16	250×280×16 HSF3 R 250×280×16 HSF3 V	250×280×16 HSF7 R 250×280×16 HSF7 V
	290	16,50	250×290×17 HSF3 R 250×290×17 HSF3 V	250×290×17 HSF7 R 250×290×17 HSF7 V

Dimensions Shaft diameter d_1	Bore diameter D	Bore depth B	Designations	
			Split version (HSF3) Lip material R, V	Solid version (HSF7) Lip material R, V
mm			–	
270	310	18	270×310×18 HSF3 R 270×310×18 HSF3 V	270×310×18 HSF7 R 270×310×18 HSF7 V
280	320	18	280×320×18 HSF3 R 280×320×18 HSF3 V	280×320×18 HSF7 R 280×320×18 HSF7 V
285	325	18	285×325×18 HSF3 R 285×325×18 HSF3 V	285×325×18 HSF7 R 285×325×18 HSF7 V
290	334	20,30	290×334×20 HSF3 R 290×334×20 HSF3 V	290×334×20 HSF7 R 290×334×20 HSF7 V
300	340	16,50	300×340×17 HSF3 R 300×340×17 HSF3 V	300×340×17 HSF7 R 300×340×17 HSF7 V
	340	18	300×340×18 HSF3 R 300×340×18 HSF3 V	300×340×18 HSF7 R 300×340×18 HSF7 V
	344	20	300×344×20 HSF3 R 300×344×20 HSF3 V	300×344×20 HSF7 R 300×344×20 HSF7 V
310	353	20	310×353×20 HSF3 R 310×353×20 HSF3 V	310×353×20 HSF7 R 310×353×20 HSF7 V
	354	20	310×354×20 HSF3 R 310×354×20 HSF3 V	310×354×20 HSF7 R 310×354×20 HSF7 V
315	360	20	315×360×20 HSF3 R 315×360×20 HSF3 V	315×360×20 HSF7 R 315×360×20 HSF7 V
320	350	15	320×350×15 HSF3 R 320×350×15 HSF3 V	320×350×15 HSF7 R 320×350×15 HSF7 V
	360	17,70	320×360×18 HSF3 R 320×360×18 HSF3 V	320×360×18 HSF7 R 320×360×18 HSF7 V
325	365	16	325×365×16 HSF3 R 325×365×16 HSF3 V	325×365×16 HSF7 R 325×365×16 HSF7 V
330	370	20	330×370×20 HSF3 R 330×370×20 HSF3 V	330×370×20 HSF7 R 330×370×20 HSF7 V
	374	20	330×374×20 HSF3 R 330×374×20 HSF3 V	330×374×20 HSF7 R 330×374×20 HSF7 V
340	372	16	340×372×16 HSF3 R 340×372×16 HSF3 V	340×372×16 HSF7 R 340×372×16 HSF7 V
345	389	20	345×389×20 HSF3 R 345×389×20 HSF3 V	345×389×20 HSF7 R 345×389×20 HSF7 V
350	390	18	350×390×18 HSF3 R 350×390×18 HSF3 V	350×390×18 HSF7 R 350×390×18 HSF7 V
	394	20	350×394×20 HSF3 R 350×394×20 HSF3 V	350×394×20 HSF7 R 350×394×20 HSF7 V
	394	22	350×394×22 HSF3 R 350×394×22 HSF3 V	350×394×22 HSF7 R 350×394×22 HSF7 V
360	404	20	360×404×20 HSF3 R 360×404×20 HSF3 V	360×404×20 HSF7 R 360×404×20 HSF7 V
365	409,40	19,05	365×409×19 HSF3 R 365×409×19 HSF3 V	365×409×19 HSF7 R 365×409×19 HSF7 V
366	410	20	366×410×20 HSF3 R 366×410×20 HSF3 V	366×410×20 HSF7 R 366×410×20 HSF7 V
370	410	18	370×410×18 HSF3 R 370×410×18 HSF3 V	370×410×18 HSF7 R 370×410×18 HSF7 V
380	419	24	380×419×24 HSF3 R 380×419×24 HSF3 V	380×419×24 HSF7 R 380×419×24 HSF7 V
	424	20	380×424×20 HSF3 R 380×424×20 HSF3 V	380×424×20 HSF7 R 380×424×20 HSF7 V

Radial shaft seals – HSF3 (split) and HSF7 (solid) – metric dimensions

d₁ 385 – 750 mm



The table includes only a selection of available sizes. Contact your SKF sales representative for more information.

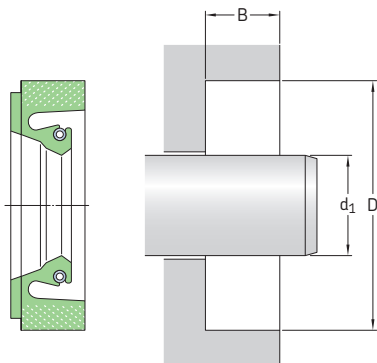
Please see **pages 74 to 76** for housing bore requirements.

Dimensions		Bore depth B	Designations	
Shaft diameter d ₁	Bore diameter D		Split version (HSF3) Lip material R, V	Solid version (HSF7) Lip material R, V
mm				
385	425	18,30	385×425×18 HSF3 R	385×425×18 HSF7 R
			385×425×18 HSF3 V	385×425×18 HSF7 V
387	431	22,50	387×431×23 HSF3 R	387×431×23 HSF7 R
			387×431×23 HSF3 V	387×431×23 HSF7 V
390	430	18	390×430×18 HSF3 R	390×430×18 HSF7 R
			390×430×18 HSF3 V	390×430×18 HSF7 V
400	440	18	400×440×18 HSF3 R	400×440×18 HSF7 R
			400×440×18 HSF3 V	400×440×18 HSF7 V
	440	22	400×440×22 HSF3 R	400×440×22 HSF7 R
			400×440×22 HSF3 V	400×440×22 HSF7 V
	444	20	400×444×20 HSF3 R	400×444×20 HSF7 R
			400×444×20 HSF3 V	400×444×20 HSF7 V
450	22	400×450×22 HSF3 R	400×450×22 HSF7 R	
400×450×22 HSF3 V	400×450×22 HSF7 V			
420	470	22	420×470×22 HSF3 R	420×470×22 HSF7 R
			420×470×22 HSF3 V	420×470×22 HSF7 V
430	480	22	430×480×22 HSF3 R	430×480×22 HSF7 R
			430×480×22 HSF3 V	430×480×22 HSF7 V
440	490	22	440×490×22 HSF3 R	440×490×22 HSF7 R
			440×490×22 HSF3 V	440×490×22 HSF7 V
450	494	20	450×494×20 HSF3 R	450×494×20 HSF7 R
			450×494×20 HSF3 V	450×494×20 HSF7 V
460	510	22	460×510×22 HSF3 R	460×510×22 HSF7 R
			460×510×22 HSF3 V	460×510×22 HSF7 V
480	530	22	480×530×22 HSF3 R	480×530×22 HSF7 R
			480×530×22 HSF3 V	480×530×22 HSF7 V
500	544	20	500×544×20 HSF3 R	500×544×20 HSF7 R
			500×544×20 HSF3 V	500×544×20 HSF7 V
515	555	20	515×555×20 HSF3 R	515×555×20 HSF7 R
			515×555×20 HSF3 V	515×555×20 HSF7 V

Dimensions Shaft diameter d_1	Bore diameter D	Bore depth B	Designations	
			Split version (HSF3) Lip material R, V	Solid version (HSF7) Lip material R, V
mm				
520	564	20	520×564×20 HSF3 R 520×564×20 HSF3 V	520×564×20 HSF7 R 520×564×20 HSF7 V
	570	22	520×570×22 HSF3 R 520×570×22 HSF3 V	520×570×22 HSF7 R 520×570×22 HSF7 V
530	580	22	530×580×22 HSF3 R 530×580×22 HSF3 V	530×580×22 HSF7 R 530×580×22 HSF7 V
	590	22	540×590×22 HSF3 R 540×590×22 HSF3 V	540×590×22 HSF7 R 540×590×22 HSF7 V
540	590	25	540×590×25 HSF3 R 540×590×25 HSF3 V	540×590×25 HSF7 R 540×590×25 HSF7 V
	590	25	540×590×25 HSF3 R 540×590×25 HSF3 V	540×590×25 HSF7 R 540×590×25 HSF7 V
545	596,90	19,05	545×597×19 HSF3 R 545×597×19 HSF3 V	545×597×19 HSF7 R 545×597×19 HSF7 V
550	600	22	550×600×22 HSF3 R 550×600×22 HSF3 V	550×600×22 HSF7 R 550×600×22 HSF7 V
	603	20	560×603×20 HSF3 R 560×603×20 HSF3 V	560×603×20 HSF7 R 560×603×20 HSF7 V
560	604	20	560×604×20 HSF3 R 560×604×20 HSF3 V	560×604×20 HSF7 R 560×604×20 HSF7 V
	604	20	560×604×20 HSF3 R 560×604×20 HSF3 V	560×604×20 HSF7 R 560×604×20 HSF7 V
580	630	22	580×630×22 HSF3 R 580×630×22 HSF3 V	580×630×22 HSF7 R 580×630×22 HSF7 V
	640	22	590×640×22 HSF3 R 590×640×22 HSF3 V	590×640×22 HSF7 R 590×640×22 HSF7 V
590	640	22	590×640×22 HSF3 R 590×640×22 HSF3 V	590×640×22 HSF7 R 590×640×22 HSF7 V
600	640	18	600×640×18 HSF3 R 600×640×18 HSF3 V	600×640×18 HSF7 R 600×640×18 HSF7 V
	640	18	600×640×18 HSF3 R 600×640×18 HSF3 V	600×640×18 HSF7 R 600×640×18 HSF7 V
614	658	20	614×658×20 HSF3 R 614×658×20 HSF3 V	614×658×20 HSF7 R 614×658×20 HSF7 V
	658	20	614×658×20 HSF3 R 614×658×20 HSF3 V	614×658×20 HSF7 R 614×658×20 HSF7 V
620	670	22	620×670×22 HSF3 R 620×670×22 HSF3 V	620×670×22 HSF7 R 620×670×22 HSF7 V
	670	22	620×670×22 HSF3 R 620×670×22 HSF3 V	620×670×22 HSF7 R 620×670×22 HSF7 V
640	680	20	640×680×20 HSF3 R 640×680×20 HSF3 V	640×680×20 HSF7 R 640×680×20 HSF7 V
	680	20	640×680×20 HSF3 R 640×680×20 HSF3 V	640×680×20 HSF7 R 640×680×20 HSF7 V
650	700	22	650×700×22 HSF3 R 650×700×22 HSF3 V	650×700×22 HSF7 R 650×700×22 HSF7 V
	700	22	650×700×22 HSF3 R 650×700×22 HSF3 V	650×700×22 HSF7 R 650×700×22 HSF7 V
660	700	18	660×700×18 HSF3 R 660×700×18 HSF3 V	660×700×18 HSF7 R 660×700×18 HSF7 V
	700	18	660×700×18 HSF3 R 660×700×18 HSF3 V	660×700×18 HSF7 R 660×700×18 HSF7 V
665	715	22	665×715×22 HSF3 R 665×715×22 HSF3 V	665×715×22 HSF7 R 665×715×22 HSF7 V
	715	22	665×715×22 HSF3 R 665×715×22 HSF3 V	665×715×22 HSF7 R 665×715×22 HSF7 V
670	714	22	670×714×22 HSF3 R 670×714×22 HSF3 V	670×714×22 HSF7 R 670×714×22 HSF7 V
	714	22	670×714×22 HSF3 R 670×714×22 HSF3 V	670×714×22 HSF7 R 670×714×22 HSF7 V
700	764	25	700×764×25 HSF3 R 700×764×25 HSF3 V	700×764×25 HSF7 R 700×764×25 HSF7 V
	764	25	700×764×25 HSF3 R 700×764×25 HSF3 V	700×764×25 HSF7 R 700×764×25 HSF7 V
710	774	25	710×774×25 HSF3 R 710×774×25 HSF3 V	710×774×25 HSF7 R 710×774×25 HSF7 V
	774	25	710×774×25 HSF3 R 710×774×25 HSF3 V	710×774×25 HSF7 R 710×774×25 HSF7 V
724	775	22	724×775×22 HSF3 R 724×775×22 HSF3 V	724×775×22 HSF7 R 724×775×22 HSF7 V
	775	22	724×775×22 HSF3 R 724×775×22 HSF3 V	724×775×22 HSF7 R 724×775×22 HSF7 V
740	780	16,50	740×780×17 HSF3 R 740×780×17 HSF3 V	740×780×17 HSF7 R 740×780×17 HSF7 V
	780	16,50	740×780×17 HSF3 R 740×780×17 HSF3 V	740×780×17 HSF7 R 740×780×17 HSF7 V
750	814	28	750×814×28 HSF3 R 750×814×28 HSF3 V	750×814×28 HSF7 R 750×814×28 HSF7 V
	814	28	750×814×28 HSF3 R 750×814×28 HSF3 V	750×814×28 HSF7 R 750×814×28 HSF7 V

Radial shaft seals – HSF3 (split) and HSF7 (solid) – metric dimensions

d_1 775 – 985 mm



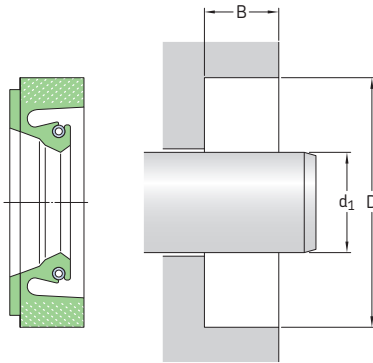
The table includes only a selection of available sizes. Contact your SKF sales representative for more information.

Please see **pages 74 to 76** for housing bore requirements.

Dimensions		Bore depth B	Designations	
Shaft diameter d_1	Bore diameter D		Split version (HSF3) Lip material R, V	Solid version (HSF7) Lip material R, V
mm				
775	839	25	775×839×25 HSF3 R	775×839×25 HSF7 R
			775×839×25 HSF3 V	775×839×25 HSF7 V
790	834	25	790×834×25 HSF3 R	790×834×25 HSF7 R
			790×834×25 HSF3 V	790×834×25 HSF7 V
	854	25	790×854×25 HSF3 R	790×854×25 HSF7 R
			790×854×25 HSF3 V	790×854×25 HSF7 V
800	864	25	800×864×25 HSF3 R	800×864×25 HSF7 R
			800×864×25 HSF3 V	800×864×25 HSF7 V
840	880	18	840×880×18 HSF3 R	840×880×18 HSF7 R
			840×880×18 HSF3 V	840×880×18 HSF7 V
880	944	25,40	880×944×25.4 HSF3 R	880×944×25.4 HSF7 R
			880×944×25.4 HSF3 V	880×944×25.4 HSF7 V
890	930	18	890×930×18 HSF3 R	890×930×18 HSF7 R
			890×930×18 HSF3 V	890×930×18 HSF7 V
910	974	25	910×974×25 HSF3 R	910×974×25 HSF7 R
			910×974×25 HSF3 V	910×974×25 HSF7 V
970	1 034	25	970×1034×25 HSF3 R	970×1034×25 HSF7 R
			970×1034×25 HSF3 V	970×1034×25 HSF7 V
985	1 045	25	985×1045×25 HSF3 R	985×1045×25 HSF7 R
			985×1045×25 HSF3 V	985×1045×25 HSF7 V

Radial shaft seals – HSF3 (split) and HSF7 (solid) – inch dimensions

d_1 8.500 – 45.500 in.



The table includes only a selection of available sizes. Contact your SKF sales representative for more information.

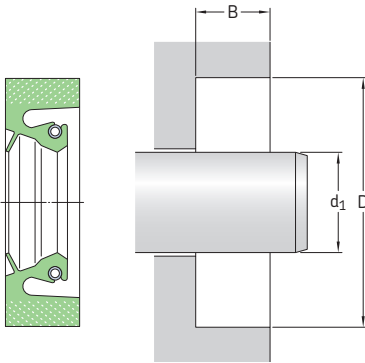
2.21

Please see **pages 74 to 76** for housing bore requirements.

Dimensions		Designations				
Shaft diameter d_1	Bore diameter D	Bore depth B	Split version (HSF3) Lip material R	V	Solid version (HSF7) Lip material R	V
in./mm			–			
8.500 215,90	9.750 247,65	0.813 20,65	HSF3 5766 R	HSF3 5766 V	HSF7 5766 R	HSF7 5766 V
10.000 254,00	11.500 292,10	0.630 16,00	HSF3 5920 R	HSF3 5920 V	HSF7 5920 R	HSF7 5920 V
11.500 292,10	13.780 350,01	0.630 16,00	HSF3 6075 R	HSF3 6075 V	HSF7 6075 R	HSF7 6075 V
12.250 311,15	14.250 361,95	0.813 20,65	HSF3 6150 R	HSF3 6150 V	HSF7 6150 R	HSF7 6150 V
14.500 368,30	16.500 419,10	0.813 20,65	HSF3 6370 R	HSF3 6370 V	HSF7 6370 R	HSF7 6370 V
	16.500 419,10	1.152 29,26	HSF3 6375 R	HSF3 6375 V	HSF7 6375 R	HSF7 6375 V
14.750 374,65	16.500 419,10	0.875 22,23	HSF3 6395 R	HSF3 6395 V	HSF7 6395 R	HSF7 6395 V
15.250 387,35	17.250 438,15	1.000 25,40	HSF3 6465 R	HSF3 6465 V	HSF7 6465 R	HSF7 6465 V
16.500 419,10	18.000 457,20	0.750 19,05	HSF3 6611 R	HSF3 6611 V	HSF7 6611 R	HSF7 6611 V
35.500 901,70	37.500 952,50	0.875 22,23	HSF3 7860 R	HSF3 7860 V	HSF7 7860 R	HSF7 7860 V
36.000 914,40	38.500 977,90	0.875 22,23	HSF3 7890 R	HSF3 7890 V	HSF7 7890 R	HSF7 7890 V
45.500 1 155,70	47.000 1 193,80	0.813 20,65	HSF3 9000 R	HSF3 9000 V	HSF7 9000 R	HSF7 9000 V

Radial shaft seals – HSF4 (split) and HSF8 (solid) – metric dimensions

d_1 75 – 660 mm

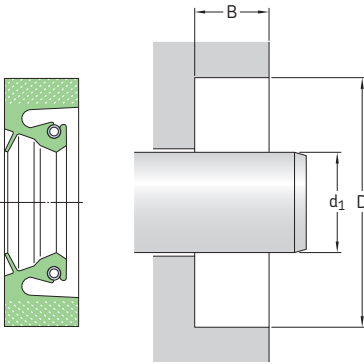


The table includes only a selection of available sizes. Contact your SKF sales representative for more information.

Please see **pages 74 to 76** for housing bore requirements.

Dimensions		Designations		
Shaft diameter d_1	Bore diameter D	Bore depth B	Split version (HSF4) Lip material R, V	Solid version (HSF8) Lip material R, V
mm				
75	107	12,50	75×107×13 HSF4 R 75×107×13 HSF4 V	75×107×13 HSF8 R 75×107×13 HSF8 V
105	145	16	105×145×16 HSF4 R 105×145×16 HSF4 V	105×145×16 HSF8 R 105×145×16 HSF8 V
215	250	16	215×250×16 HSF4 R 215×250×16 HSF4 V	215×250×16 HSF8 R 215×250×16 HSF8 V
300	340	16	300×340×16 HSF4 R 300×340×16 HSF4 V	300×340×16 HSF8 R 300×340×16 HSF8 V
330	374	20	330×374×20 HSF4 R 330×374×20 HSF4 V	330×374×20 HSF8 R 330×374×20 HSF8 V
370	410	15	370×410×15 HSF4 R 370×410×15 HSF4 V	370×410×15 HSF8 R 370×410×15 HSF8 V
	420	20	380×420×20 HSF4 R 380×420×20 HSF4 V	380×420×20 HSF8 R 380×420×20 HSF8 V
380	420	22	380×420×22 HSF4 R 380×420×22 HSF4 V	380×420×22 HSF8 R 380×420×22 HSF8 V
	490	20	440×490×20 HSF4 R 440×490×20 HSF4 V	440×490×20 HSF8 R 440×490×20 HSF8 V
440	490	22	440×490×22 HSF4 R 440×490×22 HSF4 V	440×490×22 HSF8 R 440×490×22 HSF8 V
450	500	22	450×500×22 HSF4 R 450×500×22 HSF4 V	450×500×22 HSF8 R 450×500×22 HSF8 V
460	500	16	460×500×16 HSF4 R 460×500×16 HSF4 V	460×500×16 HSF8 R 460×500×16 HSF8 V
500	540	22	500×540×22 HSF4 R 500×540×22 HSF4 V	500×540×22 HSF8 R 500×540×22 HSF8 V
660	704	20	660×704×20 HSF4 R 660×704×20 HSF4 V	660×704×20 HSF8 R 660×704×20 HSF8 V

Radial shaft seals – HSF4 (split) and HSF8 (solid) – inch dimensions
 d_1 38.000 in.



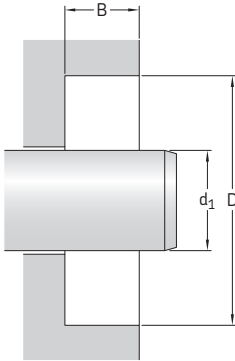
The table includes only a selection of available sizes. Contact your SKF sales representative for more information.

Please see **pages 74 to 76** for housing bore requirements.

Dimensions		Designations				
Shaft diameter d_1	Bore diameter D	Bore depth B	Split version (HSF4) Lip material R	V	Solid version (HSF8) Lip material R	V
in./mm			–			
38,000 965,20	40,000 1 016,00	0,875 22,23	HSF4 7990 R	HSF4 7990 V	HSF8 7990 R	HSF8 7990 V

Radial shaft seals – HSF9 – metric dimensions

d_1 200 – 860 mm



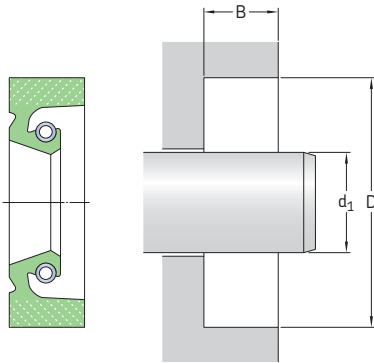
The table includes only a selection of available sizes. Contact your SKF sales representative for more information.

Please see **pages 74 to 76** for housing bore requirements.

Dimensions		Bore depth B	Designations	
Shaft diameter d_1	Bore diameter D		Lip material R	V
mm			–	
200	240	16,50	200×240×17 HSF9 R	200×240×17 HSF9 V
335	379	20	335×379×20 HSF9 R	335×379×20 HSF9 V
346	390	18	346×390×18 HSF9 R	346×390×18 HSF9 V
360	404	17,45	360×404×17 HSF9 R	360×404×17 HSF9 V
480	530	22	480×530×22 HSF9 R	480×530×22 HSF9 V
500	540	20	500×540×20 HSF9 R	500×540×20 HSF9 V
515	555	20	515×555×20 HSF9 R	515×555×20 HSF9 V
600	644	20	600×644×20 HSF9 R	600×644×20 HSF9 V
700	750	25	700×750×25 HSF9 R	700×750×25 HSF9 V
751	814	25,40	751×814×25 HSF9 R	751×814×25 HSF9 V
840	904	25	840×904×25 HSF9 R	840×904×25 HSF9 V
860	924	25	860×924×25 HSF9 R	860×924×25 HSF9 V

Radial shaft seals – HSF9 – inch dimensions

d_1 17.875 – 25.996 in.



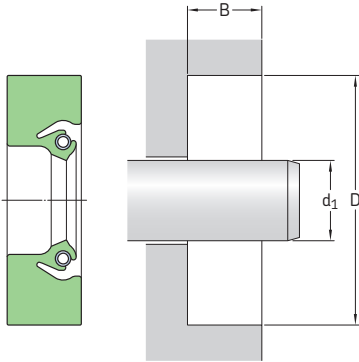
The table includes only a selection of available sizes. Contact your SKF sales representative for more information.

Please see pages 74 to 76 for housing bore requirements.

Dimensions		Designations		
Shaft diameter d_1	Bore diameter D	Bore depth B	Lip material	
			R	V
in./mm		–		
17.875 454,03	19.850 504,19	0.813 20,65	HSF9 6715 R	HSF9 6715 V
25.996 660,30	28.000 711,20	1.000 25,40	HSF9 7233 R	HSF9 7233 V

Radial shaft seals – HS4 and HS5 – metric dimensions

d_1 230 – 1 055 mm



The table includes only a selection of sizes. For the full size range, please refer to **table 20** on **page 215**.

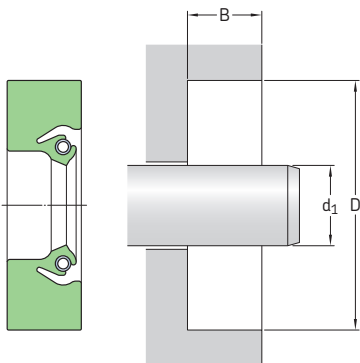
Please see **pages 74 to 76** for housing bore requirements.

Dimensions	Bore diameter	Bore depth	Design	Lip material	Designation
Shaft diameter d_1	D	B			
mm			–	–	–
230	269	22	HS5	R	230×269×22 HS5 R
240	279	22	HS5	R	240×279×22 HS5 R
245	290	15	HS4	V	245×290×15 HS4 V
260	285,40	12,70	HS5	R	260×285×13 HS5 R
280	325	24	HS5	R	280×325×24 HS5 R
310	354	20	HS5	R	310×354×20 HS5 R
315	355	16	HS4	V	315×355×16 HS4 V
325	368	20	HS5	R	325×368×20 HS5 R
350	400	25,40	HS5	R	350×400×25 HS5 R
360	390	18	HS5	H	360×390×18 HS5 H
390	434	20	HS5	R	390×434×20 HS5 R
400	444	20	HS5	R	400×444×20 HS5 R
	447	20	HS5	R	400×447×20 HS5 R
	450	25	HS5	R	400×450×25 HS5 R
410	454	20	HS5	R	410×454×20 HS5 R
470	520	20,70	HS4	R	470×520×21 HS4 R
475	525	25	HS4	R	475×525×25 HS4 R
480	530	25	HS5	R	480×530×25 HS5 R
490	530	20,50	HS5	D	490×530×21 HS5 D
515	555	20	HS5	R	515×555×20 HS5 R
519	560	25	HS5	D	519×560×25 HS5 D
520	570	24	HS5	R	520×570×24 HS5 R

Dimensions			Design	Lip material	Designation
Shaft diameter d_1	Bore diameter D	Bore depth B			
mm			–	–	–
525	575	20,70	HS4	R	525×575×21 HS4 R
530	575	20	HS5	R	530×575×20 HS5 R
540	584	20	HS4	R	540×584×20 HS4 R
700	740	20	HS5	D	700×740×20 HS5 D
710	760	25	HS5	D	710×760×25 HS5 D
712	757	20,50	HS5	D	712×757×21 HS5 D
778	818	20,50	HS5	D	778×818×21 HS5 D
780	830	22	HS5	R	780×830×22 HS5 R
910	966	17,86	HS5	R	910×966×18 HS5 R
978	1 018	18	HS5	R	978×1018×18 HS5 R
1 055	1 100	25	HS5	R	1055×1100×25 HS5 R
	1 100	25	HS5	D	1055×1100×25 HS5 D

Radial shaft seals – HS4 and HS5 – inch dimensions

d_1 6.438– 72.750 in.



The table includes only a selection of sizes. For the full size range, please refer to **table 20** on **page 215**.

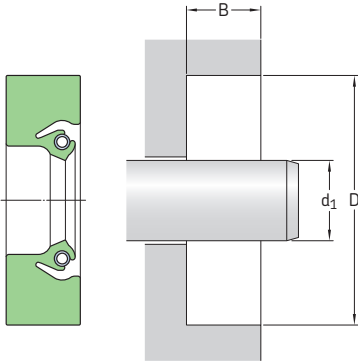
Please see **pages 74 to 76** for housing bore requirements.

Dimensions		Bore diameter D	Bore depth B	Design	Lip material	Designation
Shaft diameter d_1						
in./mm						
6.438 163,53	7.688 195,28	0.625 15,88	HS5	R	596043	
7.125 180,98	8.125 206,38	0.500 12,70	HS5	R	595761	
7.188 182,58	8.640 219,46	0.625 15,88	HS5	R	595643	
7.500 190,50	8.750 222,25	0.625 15,88	HS5	D	595822	
7.750 196,85	8.750 222,25	0.625 15,88	HS5	D	595813	
8.000 203,20	9.500 241,30	0.625 15,88	HS5	R	595404	
8.625 219,08	10.125 257,18	0.609 15,47	HS5	R	595566	
9.000 228,60	10.500 266,70	0.625 15,88	HS5	R	594641	
10.250 260,35	12.017 305,23	0.750 19,05	HS5	R	1025435	
11.250 285,75	12.750 323,85	0.625 15,88	HS5	R	1125235	
11.500 292,10	13.250 336,55	0.750 19,05	HS5	R	594850	
12.000 304,80	13.000 330,20	0.500 12,70	HS5	R	1200015	
12.250 311,15	13.750 349,25	0.750 19,05	HS5	R	1225125	
13.375 339,73	14.875 377,83	0.625 15,88	HS5	R	1338235	

Dimensions			Design	Lip material	Designation
Shaft diameter d_1	Bore diameter D	Bore depth B			
in./mm			–	–	–
13.500 342,90	15,000 381,00	0.625 15,88	HS5	D	1350235
13.985 355,22	15,500 393,70	0.625 15,88	HS4	R	526447
14.361 364,77	15,748 400,00	0.709 18,01	HS4	R	595175
15.748 400,00	17,717 450,01	0.890 22,61	HS4	R	1574443
16.000 406,40	17,000 431,80	0.500 12,70	HS4	R	1600014
20.000 508,00	22,000 558,80	0.500 12,70	HS5	R	595044
21.000 533,40	23,000 584,20	0.813 20,65	HS4	R	526719
21.750 552,45	23,250 590,55	0.625 15,88	HS5	R	593520
24.000 609,60	25,500 647,70	0.750 19,05	HS5	R	593519
25.000 635,00	27,000 685,80	0.875 22,23	HS5	R	593183
27.000 685,80	29,000 736,60	0.813 20,65	HS5	R	2700555
33.000 838,20	34,250 869,95	0.625 15,88	HS5	D	530414
53.000 1346,20	54,875 1393,83	0.813 20,65	HS4	R	595881
72.750 1847,85	74,000 1879,60	0.719 18,26	HS5	R	7275135

Radial shaft seals – HS6, HS7 and HS8 – metric dimensions

d_1 145 – 460 mm



The table includes only a selection of sizes. For the full size range, please refer to **table 20** on **page 215**.

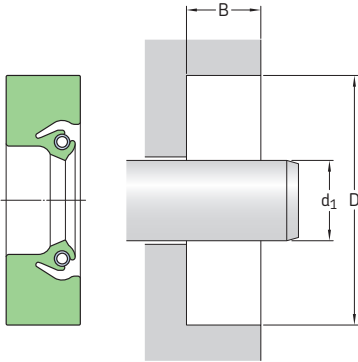
Please see **pages 74 to 76** for housing bore requirements.

Dimensions			Design	Lip material	Designation
Shaft diameter d_1	Bore diameter D	Bore depth B			
mm			–	–	–
145	175	14	HS8	R	145×175×14 HS8 R
150	180	15,88	HS8	R	150×180×16 HS8 R
160	200	15,88	HS8	D	160×200×16 HS8 D
170	200	16	HS8	V	170×200×16 HS8 V
180	222	16	HS7	R	180×222×16 HS7 R
185	220	12,70	HS8	R	185×220×13 HS8 R
186	226	16	HS8	R	186×226×16 HS8 R
190	220	16	HS8	R	190×220×16 HS8 R
	230	16	HS8	R	190×230×16 HS8 R
200	238	19	HS6	R	200×238×19 HS6 R
	238,10	19,10	HS8	R	200×238×19 HS8 R
220	250	15	HS8	R	220×250×15 HS8 R
	250	16	HS8	D	220×250×16 HS8 D
	260	14,27	HS8	R	220×260×14 HS8 R
	260	15	HS8	R	220×260×15 HS8 R
	260	16	HS8	R	220×260×16 HS8 R
230	260	15	HS8	R	230×260×15 HS8 R
240	270	15	HS8	R	240×270×15 HS8 R
	275	15	HS8	R	240×275×15 HS8 R
	280	20	HS7	R	240×280×20 HS7 R
250	280	15	HS8	R	250×280×15 HS8 R
	290	15,88	HS8	R	250×290×16 HS8 R
260	290	16	HS8	R	260×290×16 HS8 R
	300	20	HS8	R	260×300×20 HS8 R
	304	20	HS8	R	260×304×20 HS8 R
265	310	22	HS7	R	265×310×22 HS7 R

Dimensions			Design	Lip material	Designation
Shaft diameter d_1	Bore diameter D	Bore depth B			
mm			–	–	–
266	310	20	HS8	R	266×310×20 HS8 R
270	310	20	HS8	R	270×310×20 HS8 R
280	310	15	HS8	R	280×310×15 HS8 R
	310	16	HS8	R	280×310×16 HS8 R
	320	19,05	HS8	R	280×320×19 HS8 R
	324	20	HS8	R	280×324×20 HS8 R
	325	22	HS8	H	280×325×22 HS8 H
290	330	20	HS8	R	290×330×20 HS8 R
	335	24	HS7	R	290×335×24 HS7 R
300	340	20	HS8	R	300×340×20 HS8 R
	345	22	HS7	R	300×345×22 HS7 R
310	340	15	HS8	V	310×340×15 HS8 V
	340	15	HS8	R	310×340×15 HS8 R
	350	20	HS8	D	310×350×20 HS8 D
320	360	20	HS8	R	320×360×20 HS8 R
	368,10	19,05	HS6	R	320×368×19 HS6 R
330	380	22	HS8	H	330×380×22 HS8 H
340	372	18	HS8	R	340×372×18 HS8 R
	380	20	HS8	R	340×380×20 HS8 R
345	390	25	HS8	R	345×390×25 HS8 R
350	390	18	HS8	R	350×390×18 HS8 R
355	393	20	HS8	R	355×393×20 HS8 R
360	400	18	HS8	R	360×400×18 HS8 R
	405	25	HS8	H	360×405×25 HS8 H
	410,80	22,26	HS8	R	360×411×22 HS8 R
380	418	19	HS7	R	380×418×19 HS7 R
	418	19	HS8	R	380×418×19 HS8 R
	420	19,05	HS8	V	380×420×19 HS8 V
	420	20	HS8	D	380×420×20 HS8 D
	420	20	HS7	R	380×420×20 HS7 R
	420	20	HS8	H	380×420×20 HS8 H
	420	20	HS8	D	380×420×20 HS8 D
	430	20	HS8	R	380×430×20 HS8 R
	400	440	20	HS7	R
444		13,50	HS8	R	400×444×14 HS8 R
450		25	HS8	R	400×450×25 HS8 R
451		22,23	HS8	R	400×451×22 HS8 R
410	454	19	HS8	R	410×454×19 HS8 R
420	460	20	HS7	R	420×460×20 HS7 R
430	480	22	HS8	R	430×480×22 HS8 R
440	480	20	HS8	R	440×480×20 HS8 R
	480	21	HS8	H	440×480×21 HS8 H
450	500	25	HS8	R	450×500×25 HS8 R
452	503	20,65	HS8	R	452×503×21 HS8 R
460	510	22	HS8	R	460×510×22 HS8 R

Radial shaft seals – HS6, HS7 and HS8 – metric dimensions

d_1 480 – 3 000 mm



The table includes only a selection of sizes. For the full size range, please refer to **table 20** on **page 215**.

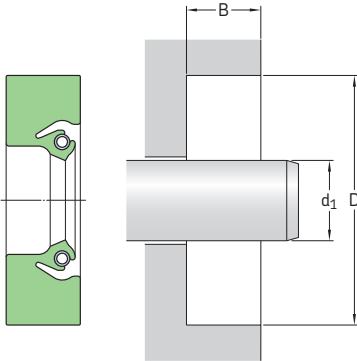
Please see **pages 74 to 76** for housing bore requirements.

Dimensions			Design	Lip material	Designation
Shaft diameter d_1	Bore diameter D	Bore depth B			
mm			–	–	–
480	530	20	HS8	R	480×530×20 HS8 R
490	530	20	HS8	R	490×530×20 HS8 R
	540	25	HS8	R	490×540×25 HS8 R
	541	20,70	HS6	R	490×541×21 HS6 R
500	550	25	HS8	R	500×550×25 HS8 R
510	548	24,50	HS8	R	510×548×25 HS8 R
515	555	20	HS8	R	515×555×20 HS8 R
519	560	25	HS8	D	519×560×25 HS8 D
530	576	21	HS8	R	530×576×21 HS8 R
	580	20	HS8	R	530×580×20 HS8 R
	580	22	HS8	R	530×580×22 HS8 R
	580	25	HS8	R	530×580×25 HS8 R
550	590	20	HS8	R	550×590×20 HS8 R
556	610	25,40	HS7	R	556×610×25 HS7 R
560	604	20	HS8	R	560×604×20 HS8 R
590	640	25	HS8	R	590×640×25 HS8 R
600	640	20	HS8	R	600×640×20 HS8 R
615	665	24	HS8	R	615×665×24 HS8 R
620	670	22	HS8	D	620×670×22 HS8 D
625	676	19	HS8	D	625×676×19 HS8 D
630	670	20	HS8	R	630×670×20 HS8 R
650	700	20	HS8	R	650×700×20 HS8 R
690	730	20	HS8	R	690×730×20 HS8 R

Dimensions			Design	Lip material	Designation
Shaft diameter d_1	Bore diameter D	Bore depth B			
mm			–	–	–
700	750	20	HS8	R	700×750×20 HS8 R
	765	25	HS8	R	700×765×25 HS8 R
720	771,10	21	HS8	D	720×771×21 HS8 D
737	790	15,88	HS6	R	737×790×16 HS6 R
740	790	15,88	HS8	R	740×790×16 HS8 R
	790	25	HS8	R	740×790×25 HS8 R
760	800	20,60	HS8	R	760×800×21 HS8 R
	810	20,60	HS8	R	760×810×21 HS8 R
	820	17,50	HS8	R	760×820×18 HS8 R
780	820	18	HS8	R	780×820×18 HS8 R
800	850	25,40	HS8	R	800×850×25 HS8 R
810	860	20,65	HS7	R	810×860×21 HS7 R
840	892	18	HS6	R	840×892×18 HS6 R
850	900	22	HS8	R	850×900×22 HS8 R
865	911	18	HS8	R	865×911×18 HS8 R
867	920	15,88	HS6	R	867×920×16 HS6 R
870	920	15,88	HS8	R	870×920×16 HS8 R
910	966	17,86	HS6	R	910×966×18 HS6 R
925	975	22	HS8	D	925×975×22 HS8 D
930	982	22,23	HS6	R	930×982×22 HS6 R
1055	1100	25	HS8	D	1055×1100×25 HS8 D
1070	1120	20	HS6	R	1070×1120×20 HS6 R
1105	1151	17,50	HS8	R	1105×1151×18 HS8 R
1180	1230	20	HS6	R	1180×1230×20 HS6 R
1248	1298	20,70	HS8	R	1248×1298×21 HS8 R
1370	1420	19,83	HS8	H	1370×1420×20 HS8 H
1380	1420	18	HS8	R	1380×1420×18 HS8 R
	1725	20	HS8	R	1675×1725×20 HS8 R
1675	1725	20,62	HS8	D	1675×1725×21 HS8 D
	1860	20	HS8	R	1810×1860×20 HS8 R
1810	1860	20,62	HS8	D	1810×1860×21 HS8 D
	2900	20,63	HS8	D	2850×2900×21 HS8 D
2850	2900	20,63	HS8	D	2850×2900×21 HS8 D
2900	2959	17,33	HS6	R	2900×2959×17 HS6 R
3000	3050	20,63	HS8	D	3000×3050×21 HS8 D

Radial shaft seals – HS6, HS7 and HS8 – inch dimensions

d_1 5.500 – 10.250 in.



The table includes only a selection of sizes. For the full size range, please refer to **table 20** on **page 215**.

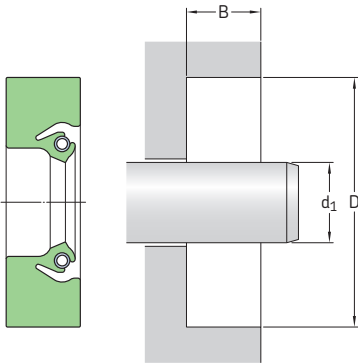
Please see **pages 74 to 76** for housing bore requirements.

Dimensions			Design	Lip material	Designation
Shaft diameter d_1	Bore diameter D	Bore depth B			
in./mm			–	–	–
5.500 139,70	6.500 165,10	0.500 12,70	HS8	V	597548
6.000 152,40	7.250 184,15	0.625 15,88	HS8	R	592986
	7.500 190,50	0.535 13,59	HS8	R	60037
6.300 160,00	7.874 200,00	0.596 15,14	HS8	D	595052
6.438 163,53	7.688 195,28	0.625 15,88	HS7	R	594760
7.000 177,80	8.000 203,20	0.500 12,70	HS8	D	70008
7.250 184,15	8.250 209,55	0.500 12,70	HS8	R	595012
	8.250 209,55	0.500 12,70	HS7	R	528377
7.625 193,68	8.875 225,43	0.625 15,88	HS8	R	595207
7.750 196,85	8.750 222,25	0.500 12,70	HS8	R	529601
8.000 203,20	9.000 228,60	0.625 15,88	HS8	V	594935
	9.250 234,95	0.625 15,88	HS8	R	592376
	10.000 254,00	0.750 19,05	HS7	R	590326
	9.500 241,30	0.625 15,88	HS7	R	592180
8.250 209,55	10.250 260,35	0.750 19,05	HS7	R	591929

Dimensions Shaft diameter d ₁	Bore diameter D	Bore depth B	Design	Lip material	Designation
in./mm			–	–	–
8.500 215,90	9.500 241,30	0.500 12,70	HS8	V	594745
	10.000 254,00	0.625 15,88	HS8	R	594318
8.750 222,25	9.750 247,65	0.500 12,70	HS8	V	87440
	10.000 254,00	0.625 15,88	HS8	R	592627
	10.750 273,05	0.750 19,05	HS7	R	597553
8.938 227,03	9.938 254,43	0.625 15,88	HS7	R	595004
9.000 228,60	10.250 260,35	0.625 15,88	HS7	R	592581
	10.500 266,70	0.750 19,05	HS8	R	592600
	10.674 271,12	0.703 17,86	HS8	R	592779
9.250 234,95	11.250 285,75	0.625 15,88	HS7	R	593625
	11.250 285,75	0.750 19,05	HS8	R	592858
9.438 239,73	10.688 271,48	0.625 15,88	HS7	R	592126
9.500 241,30	11.000 279,40	0.625 15,88	HS8	R	531331
	11.500 292,10	0.625 15,88	HS8	R	597507
9.750 247,65	10.750 273,05	0.500 12,70	HS7	R	592988
	11.250 285,75	0.625 15,88	HS7	R	593385
9.938 252,43	11.188 284,18	0.625 15,88	HS8	R	594753
	11.438 290,53	0.750 19,05	HS8	R	592731
10.000 254,00	11.000 279,40	0.562 14,28	HS8	R	1000018
	11.250 285,75	0.625 15,88	HS7	R	1000117
	11.500 292,10	0.750 19,05	HS7	R	1000257
	12.000 304,80	0.625 15,88	HS7	R	1000527
	12.000 304,80	0.625 15,88	HS7	V	1000025
10.125 257,18	11.750 298,45	0.750 19,05	HS8	R	1012338
10.188 258,78	11.188 284,18	0.500 12,70	HS7	R	1019017
10.250 260,35	11.250 285,75	0.625 15,88	HS7	R	1025017
	12.000 304,80	0.625 15,88	HS8	R	1025368

Radial shaft seals – HS6, HS7 and HS8 – inch dimensions

d_1 10.438 – 14.000 in.



The table includes only a selection of sizes. For the full size range, please refer to **table 20** on **page 215**.

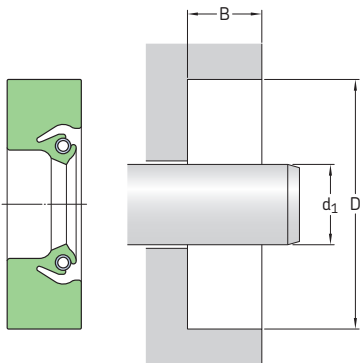
Please see **pages 74 to 76** for housing bore requirements.

Dimensions		Bore diameter D	Bore depth B	Design	Lip material	Designation
Shaft diameter d_1						
in./mm						
10.438 265,13	11.688 296,88	0.875 22,23	HS8	R	1043148	
10.500 266,70	11.500 292,10	0.500 12,70	HS8	R	1050018	
	12.000 304,80	0.750 19,05	HS8	R	1050258	
	12.000 304,80	0.750 19,05	HS7	R	1050257	
10.710 272,03	12.511 317,78	0.625 15,88	HS8	R	1071448	
10.875 276,23	12.875 327,03	0.578 14,68	HS6	R	527099	
11.000 279,40	12.000 304,80	0.625 15,88	HS7	R	1100027	
	12.500 317,50	0.750 19,05	HS8	R	1100258	
	12.500 317,50	0.750 19,05	HS7	R	1100257	
	13.000 330,20	0.750 19,05	HS8	R	1100538	
11.125 282,58	12.375 314,33	0.625 15,88	HS8	R	1113118	
11.250 285,75	12.750 323,85	0.750 19,05	HS7	R	1125257	
11.375 288,93	12.375 314,33	0.500 12,70	HS7	R	1138017	
11.422 290,12	12.922 328,22	0.750 19,05	HS7	R	1142257	
11.500 292,10	12.500 317,50	0.500 12,70	HS8	R	1150018	
	13.000 330,20	0.750 19,05	HS8	R	1150258	

Dimensions Shaft diameter d_1	Bore diameter D	Bore depth B	Design	Lip material	Designation
in./mm			–	–	–
11.750 298,45	13.250 336,55	0.750 19,05	HS7	R	1175257
11.875 301,63	13.125 333,38	0.625 15,88	HS8	R	1188118
12.000 304,80	13.000 330,20	0.500 12,70	HS8	D	1200028
	13.500	0.750	HS8	R	1200258
	342,90	19,05			
	14.000 355,60	0.813 20,65	HS8	R	1200558
12.375 314,33	13.875 352,43	0.750 19,05	HS7	R	1238257
12.500 317,50	13.500 342,90	0.500 12,70	HS8	R	1250018
	14.000	0.750	HS7	R	1250257
	355,60	19,05			
12.625 320,68	14.125 358,78	0.750 19,05	HS7	R	1263237
12.750 323,85	14.250 361,95	0.625 15,88	HS8	R	1275238
	14.250	0.750	HS7	R	1275257
	361,95	19,05			
13.000 330,20	14.500 368,30	0.625 15,88	HS7	R	1300237
	14.500	0.750	HS8	R	1300258
	368,30	19,05			
	15.000 381,00	0.750 19,05	HS8	R	1300548
13.125 333,38	15.125 384,18	0.750 19,05	HS8	R	592920
13.250 336,55	14.750 374,65	0.625 15,88	HS7	R	1325237
13.375 339,73	14.875 377,83	0.625 15,88	HS8	R	594057
13.500 342,90	15.000 381,00	0.750 19,05	HS8	R	1350258
	15.500	0.625	HS7	R	1350527
	393,70	15,88			
13.750 349,25	15.250 387,35	0.750 19,05	HS7	R	1375257
13.875 352,43	15.375 390,53	0.750 19,05	HS7	R	1388257
14.000 355,60	15.000 381,00	0.500 12,70	HS8	R	1400018
	15.500	0.750	HS8	R	1400258
	393,70	19,05			
	15.500	0.750	HS7	R	1400257
	393,70	19,05			
	15.500	0.750	HS8	V	594261
	393,70	19,05			
	16.000	0.813	HS7	R	1400557
	406,40	20,65			
	16.000 406,40	1.000 25,40		HS8	R

Radial shaft seals – HS6, HS7 and HS8 – inch dimensions

d_1 14.250 – 20.000 in.



The table includes only a selection of sizes. For the full size range, please refer to **table 20** on **page 215**.

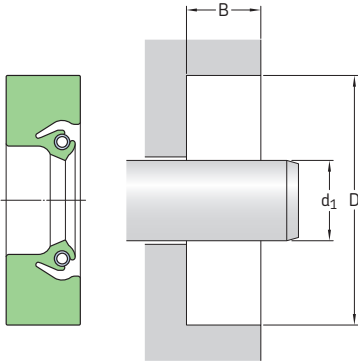
Please see **pages 74 to 76** for housing bore requirements.

Dimensions		Bore diameter D	Bore depth B	Design	Lip material	Designation
Shaft diameter d_1						
in./mm						
14.250 361,95	16.250 412,75	1.000 25,40	HS7	R	1425587	
14.500 368,30	15.500 393,70	0.500 12,70	HS8	R	1450018	
14.625 371,48	16.125 409,58	0.750 19,05	HS7	R	1463257	
15.000 381,00	16.500 419,10	0.750 19,05	HS7	R	1500257	
	17.000 431,80	0.813 20,65	HS8	R	1500558	
15.250 387,35	16.625 422,28	0.500 12,70	HS8	R	1525158	
	16.750 425,45	0.750 19,05	HS7	R	1525257	
15.500 393,70	17.000 431,80	0.750 19,05	HS7	R	1550257	
	17.500 444,50	0.813 20,65	HS7	R	1550557	
15.750 400,05	17.250 438,15	0.685 19,05	HS8	R	1575248	
	16.000 406,40	17.000 431,80	0.500 12,70	HS8	R	1600018
17.000 431,80		0.500 12,70	HS8	D	1600019	
17.500 444,50		0.750 19,05	HS8	R	1600258	
18.000 457,20		0.750 19,05	HS8	R	1600578	
18.000 457,20		0.813 20,65	HS8	R	1600558	
16.500 419,10	17.500 444,50	0.500 12,70	HS7	R	1650017	
	18.500 469,90	0.813 20,65	HS7	R	1650557	

Dimensions			Design	Lip material	Designation
Shaft diameter d_1	Bore diameter D	Bore depth B			
in./mm			–	–	–
16.750 425,45	18.250 463,55	0.750 19,05	HS7	R	1675257
16.875 428,63	18.375 466,73	0.500 12,70	HS7	R	1688217
17.500 444,50	19.500 495,30	1.000 25,40	HS7	R	1750587
17.716 449,99	19.716 500,79	0.813 20,65	HS7	R	1771557
17.750 450,85	19.750 501,65	0.813 20,65	HS7	R	1775557
18.000 457,20	19.000 482,60	0.500 12,70	HS8	R	1800018
	19.500 495,30	0.750 19,05	HS7	R	1800257
	20.000 508,00	0.813 20,65	HS8	R	1800558
18.250 463,55	19.750 501,65	0.750 19,05	HS7	R	1825257
	20.250 514,35	0.813 20,65	HS7	R	1825557
18.375 466,73	20.375 517,53	0.813 20,65	HS8	R	1838558
	20.500 520,70	0.875 22,23	HS8	R	1837608
18.500 469,90	20.000 508,00	0.750 19,05	HS8	D	1850248
	20.500 520,70	1.000 25,40	HS7	R	1850587
18.750 476,25	20.250 514,35	0.750 19,05	HS7	R	1875257
18.937 481,00	20.937 531,80	0.813 20,65	HS7	R	1894557
19.000 482,60	20.500 520,70	0.750 19,05	HS8	R	1900258
	21.000 533,40	0.813 20,65	HS7	R	1900557
19.500 495,30	21.500 546,10	0.813 20,65	HS7	R	1950557
	21.500 546,10	0.813 20,65	HS8	R	1950518
19.750 501,65	21.750 552,45	0.625 15,88	HS8	R	1975528
20.000 508,00	21.500 546,10	0.625 15,88	HS8	R	2000238
	21.500 546,10	0.750 19,05	HS8	R	2000258
	22.000 558,80	0.625 15,88	HS7	R	2000527
	22.000 558,80	1.000 25,40	HS7	R	2000587
	22.125 561,98	0.916 23,27	HS8	R	2000648
	22.125 561,98	0.916 23,27	HS8	D	2000649

Radial shaft seals – HS6, HS7 and HS8 – inch dimensions

d_1 20.500 – 33.125 in.



The table includes only a selection of sizes. For the full size range, please refer to **table 20** on **page 215**.

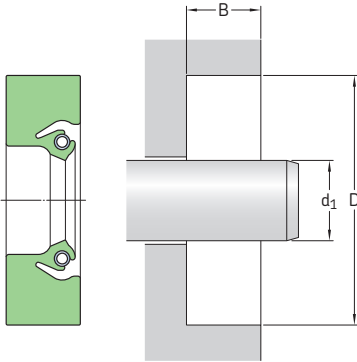
Please see **pages 74 to 76** for housing bore requirements.

Dimensions		Bore diameter D	Bore depth B	Design	Lip material	Designation
Shaft diameter d_1						
in./mm						
20.500 520,70	22.500 571,50	0.875 22,23	HS8	R		2050568
20.625 523,88	22.625 574,68	0.813 20,65	HS7	R		2063557
21.000 533,40	22.580 573,53	0.578 14,68	HS8	R		2100228
	23.000 584,20	0.750 19,05	HS8	R		2100518
	23.000 584,20	0.813 20,65	HS8	V		594201
	23.000 584,20	0.813 20,65	HS7	R		2100557
	23.500 596,90	0.750 19,05	HS8	R		2200257
22.000 558,80	23.500 596,90	0.750 19,05	HS8	R		2200218
	24.000 609,60	0.813 20,65	HS8	V		2200555
	24.000 609,60	0.813 20,65	HS8	D		2200558
	24.000 609,60	0.813 20,65	HS7	R		2200557
	24.250 615,95	0.813 20,65	HS7	R		2225557
22.500 571,50	24.500 622,30	0.813 20,65	HS7	R		2250557
22.638 575,00	24.638 625,80	0.750 19,00	HS8	D		2263548
22.750 577,85	24.750 628,65	0.813 20,65	HS7	R		2275557
22.875 581,03	24.875 631,83	0.813 20,65	HS7	R		2288557

Dimensions			Design	Lip material	Designation
Shaft diameter d_1	Bore diameter D	Bore depth B			
in./mm			–	–	–
23.000 584,20	25.000 635,00	0.813 20,65	HS8	R	2300558
	25.000 635,00	0.813 20,65	HS8	D	2300559
23.208 589,48	25.208 640,28	0.813 20,65	HS8	R	2320558
23.750 603,25	25.750 654,05	0.813 20,65	HS8	R	2575558
24.000 609,60	25.500 647,70	0.750 19,05	HS8	R	2400258
	25.500 647,70	0.750 19,05	HS7	R	2400257
	26.000 660,40	1.000 25,40	HS8	D	2400598
24.500 622,30	26.000 660,40	0.750 19,05	HS7	R	2450257
25.000 635,00	26.500 673,10	0.750 19,05	HS7	D	2500247
	27.000 685,80	0.813 20,65	HS7	R	2500557
26.000 660,40	28.125 714,38	0.916 23,27	HS8	R	2600648
26.375 669,93	27.627 701,73	0.625 15,88	HS8	R	2637118
27.000 685,80	29.000 736,60	0.813 20,65	HS8	R	2700558
27.500 698,50	28.750 730,25	0.625 15,88	HS7	R	2750117
28.000 711,20	30.000 762,00	0.813 20,65	HS8	R	2800558
28.875 733,43	30.875 784,23	0.813 20,65	HS7	R	2888557
29.000 736,60	31.000 787,40	0.813 20,65	HS7	V	2900556
29.750 755,65	31.750 806,45	0.813 20,65	HS8	R	2975558
30.000 762,00	31.250 793,75	0.625 15,88	HS8	R	3000118
	32.000 812,80	1.000 25,40	HS8	H	3000519
30.750 781,05	31.750 806,45	0.500 12,70	HS7	R	3075017
32.375 822,33	34.375 873,13	1.000 25,40	HS8	H	3237519
32.500 825,50	34.500 876,30	0.916 23,27	HS7	R	3250577
33.125 841,38	35.125 892,18	0.813 20,65	HS8	R	3312558

Radial shaft seals – HS6, HS7 and HS8 – inch dimensions

d_1 34.500 – 171.900 in.



The table includes only a selection of sizes. For the full size range, please refer to **table 20** on **page 215**.

Please see **pages 74 to 76** for housing bore requirements.

Dimensions		Bore diameter D	Bore depth B	Design	Lip material	Designation
Shaft diameter d_1						
in./mm						
34.500 876,30	36.500 927,10	0.813 20,65	HS7	R	3450557	
38.000 965,20	40.000 1 016,00	0.813 20,65	HS7	R	3800557	
38.500 977,90	40.500 1 028,70	0.813 20,65	HS7	R	3850557	
40.250 1 022,35	41.750 1 060,45	0.750 19,05	HS8	R	4025258	
48.000 1 219,20	50.000 1 270,00	0.813 20,65	HS8	R	4800518	
51.000 1 295,40	53.000 1 346,20	0.813 20,65	HS8	R	5100558	
53.000 1 346,20	54.875 1 393,83	0.813 20,65	HS8	R	5300488	
54.000 1 371,60	56.000 1 422,40	0.813 20,65	HS7	R	5400557	
58.500 1 485,90	60.500 1 536,70	0.813 20,65	HS8	R	5850518	
60.250 1 530,35	62.313 1 582,75	0.750 19,05	HS8	R	531572	
62.598 1 589,99	64.598 1 640,79	0.813 20,65	HS7	R	6259557	
69.000 1 752,60	71.000 1 803,40	0.813 20,65	HS8	R	6900558	
72.500 1 841,50	74.500 1 892,30	0.813 20,65	HS8	R	7250558	
75.000 1 905,00	77.000 1 955,80	0.815 20,70	HS8	R	7500518	

Dimensions			Design	Lip material	Designation
Shaft diameter d_1	Bore diameter D	Bore depth B			
in./mm			–	–	–
76.000 <i>1 930,40</i>	78.000 <i>1 981,20</i>	0.813 <i>20,65</i>	HS8	R	594316
81.000 <i>2 057,40</i>	83.000 <i>2 108,20</i>	0.813 <i>20,65</i>	HS8	R	8100558
87.750 <i>2 228,85</i>	89.750 <i>2 279,65</i>	0.813 <i>20,65</i>	HS8	R	8775558
94.750 <i>2 406,65</i>	97.000 <i>2 463,80</i>	0.688 <i>17,48</i>	HS8	R	9475658
98.625 <i>2 505,08</i>	100.625 <i>2 555,88</i>	0.813 <i>20,65</i>	HS8	R	9862568
106.000 <i>2 692,40</i>	107.000 <i>2 717,80</i>	0.500 <i>12,70</i>	HS8	R	594926
125.000 <i>3 175,00</i>	126.250 <i>3 206,75</i>	0.625 <i>15,88</i>	HS8	R	595208
171.900 <i>4 366,26</i>	173.876 <i>4 416,45</i>	0.813 <i>20,65</i>	HS8	R	595214

2.25



Cassette seals

General	322
Design features	323
Testing	323
Installation	323
SKF Mudblock seal designs MUD5 and MUD7	324

Cassette seals

General

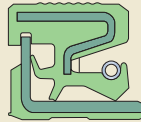
The design of SKF Mudblock cassette seals has been optimized to provide excellent retention of either grease or oil and maximum protection against liquid or solid contaminants (→ **fig. 1**). The seals are made to order to meet the demands of each specific application.

SKF Mudblock seals are widely used in wheel-end applications such as the front and rear axles of, for example:

- tractors
- agricultural machinery
- construction equipment
- forestry equipment
- off-highway trucks

Fig. 1

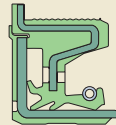
SKF Mudblock designs for oil lubricated applications



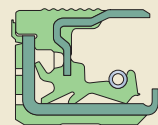
MUD1



MUD2

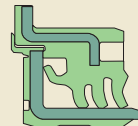


MUD4

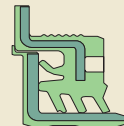


MUD5

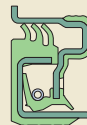
SKF Mudblock designs for grease lubricated applications



MUD3



MUD6



MUD7

Design features

All SKF Mudblock seals are designed with an integrated wear sleeve and a rubber inside diameter, but can have any one of a number of sealing lip and auxiliary lip configurations. The elastomeric material is normally nitrile rubber, but the seals are also available in other compounds including fluoro rubber, hydrogenated nitrile rubber or polyacrylate to meet the demands of different operating conditions. For more information, please refer to paragraph *Sealing lip materials*, starting on **page 30**.

Testing

SKF conducts tests in climatic cells of the SKF Mudblock seals at global testing facilities in USA, Europe and Asia. The tests include both our own tests and tests according to customer specifications. SKF Mudblock seals are engineered using Finite Element Analysis (FEA) to obtain optimum design solutions. FEA evaluates:

- stress/strain behavior of the sealing lip in deformed condition
- lip contact forces
- lip opening pressure
- displacement of the lips
- assembly simulation of seal and sleeve

Installation

Proper installation of SKF Mudblock seals is important for optimal functioning of the seals. Please contact SKF for information and support regarding the design of installation tools for SKF Mudblock seals.

SKF Mudblock seal designs MUD5 and MUD7

SKF Mudblock seal designs MUD5 and MUD7 are a new generation of radial shaft sealing units, specifically developed for heavy-duty applications in harsh environments and tough operating conditions.

SKF Mudblock seals MUD5 (→ **fig. 2**) are designed for oil lubricated applications and provide features including:

- half metal / half rubber outside diameter for reliable seal retention in the bore as well as improved sealing performance
- spring-loaded main lip with SKF Wave lip design for bi-directional pumping action
- axial and auxiliary radial lips for contaminant exclusion
- integrated wear sleeve, curled for a reliable unitized solution to facilitate installation and prevent damage to the lips during transportation, handling and installation
- centrifugal flap for exclusion of contaminants
- bumper maintaining the relative position between the seal and the sleeve as well as acting as a barrier against contaminants
- rubber covered inside diameter for high sealing ability and easy installation

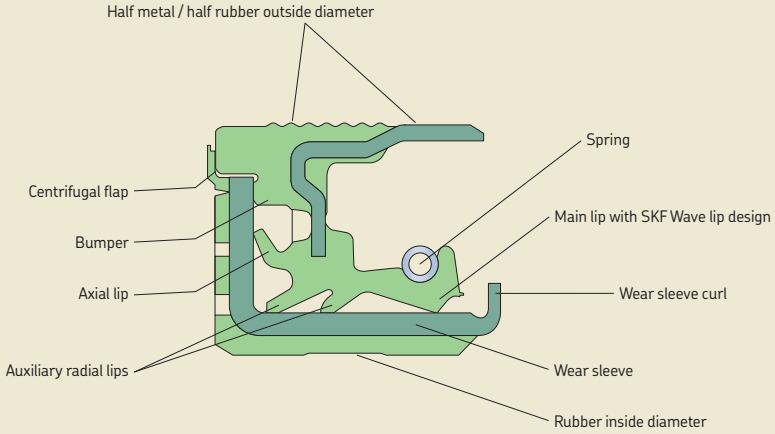
SKF Mudblock seals MUD7 (→ **fig. 3**) are designed for use in grease lubricated applications and provide features including:

- half metal / half rubber outside diameter for reliable seal retention in the bore as well as improved sealing performance
- rubber covered inside diameter for improved sealing performance and easy installation
- integrated wear sleeve
- SKF patented lip design for extended bearing service life
- bumper maintaining the relative position between the seal and the sleeve as well as acting as a barrier against contaminants
- auxiliary radial lips for contaminant exclusion

The SKF patented lip design has a special geometry combining both a spring-loaded radial lip and an axial lip. This design enables excess pressure inside the bearing chamber to pass the lip. Thus, the bearing can run cooler, resulting in extended service life.

Fig. 2

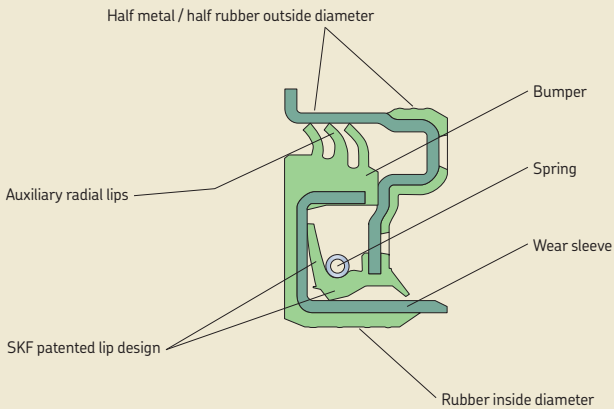
SKF Mudblock seal MUD5



3

Fig. 3

SKF Mudblock seal MUD7





Wear sleeves

General	328
SKF Speedi-Sleeve	329
Features	329
Size range	329
SKF Speedi-Sleeve Gold	330
Test results	330
Selecting the right size	330
Installing SKF Speedi-Sleeve	331
Removing SKF Speedi-Sleeve	333
4.1 Product table: SKF Speedi-Sleeve	334
Wear sleeves for heavy industrial applications (LDSSLV)	356
General	356
Designs and features	357
Using LDSSLV designs	358
Installation	358
Removal	358
4.2 Product table: LDSSLV3 and LDSSLV4	360

Wear sleeves

General

To seal efficiently, radial shaft seals must run against a smooth, round counterface. If the counterface becomes worn, the seals will no longer be able to fulfil their function, which is to retain lubricant and exclude contaminants.

Typically, the counterface becomes scored when a contaminant particle is caught under the sealing lip and abrades a track as the shaft rotates. As this continues, the seal will enable more particles to pass or get stuck, and seal efficiency deteriorates, eventually leading to malfunction of the component that the seal is meant to protect. To rectify the situation, it is necessary to repair the shaft surface since a seal replacement will not be sufficient. To repair the shaft, it is usually necessary to disassemble the machine in order to either replace the shaft or grind down the counterface until it is again within specification.

SKF Speedi-Sleeve (→ **fig. 1**) is a well-proven solution to overcome problems with worn

shafts without having to disassemble the shaft or changing the seal dimensions, while offering an excellent sealing surface. Now, SKF has developed a patent pending new generation SKF Speedi-Sleeve with features providing an even further enhanced sealing system performance. Using SKF Speedi-Sleeve, combined with an SKF radial shaft seal, customers will benefit from a more consistent and increased durability of the sealing system. This will enable a more stable maintenance planning with improved predictability of the system service life. SKF Speedi-Sleeve is available for shaft diameters up to approximately 203 mm (8 in.). For larger shaft diameters, SKF offers wear sleeves for heavy industrial applications, LDSLV3 and LDSLV4 (→ **figs. 2 and 3**). See **page 356** for information regarding LDSLV designs.

Fig. 1

SKF Speedi-Sleeve

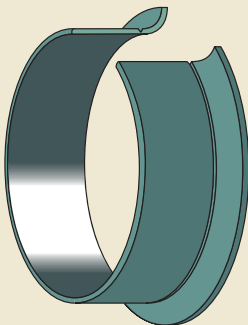
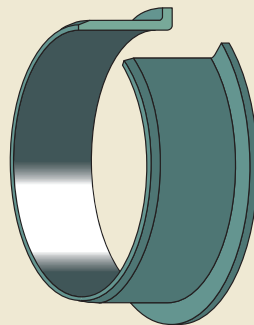


Fig. 2

LDSLV3 wear sleeve



SKF Speedi-Sleeve

This thin-walled sleeve (0,28 mm (0.011 in.)), developed by SKF, is simply pushed in position over the worn area, providing a counterface surface that is optimized for radial shaft seals.

There is no shaft disassembly or machining involved and costly downtime is minimized. Since the same sized seal as the original can be used, there is no need to search for other seals, or keep a stock of different sizes.

No special equipment is required since the installation tool is supplied with the sleeve. A mallet and a pair of pliers are all that is needed for the installation.

Features

The new generation SKF Speedi-Sleeve uses a proprietary stainless steel material and manufacturing process, resulting in an optimized seal counterface surface that minimizes wear on both sleeve and sealing lip. The proprietary material provides increased strength and excellent ductility properties of the sleeve. Imperceptible lubricant pockets enable the lubricant to reside on the sleeve and thereby prevent dry running of the sealing lip that otherwise can create excessive wear. The contact surface is wear resistant and machined to minimize directionality ($0^\circ \pm 0,05$) with a finish of R_a 0,25 to 0,5 μm (10 to 20 $\mu\text{in.}$). This is, in fact, a better counterface surface than can often be achieved on a shaft.

SKF Speedi-Sleeve has a removable flange to simplify installation (\rightarrow fig. 4). The flange can

most often be left intact, but in applications where the flange will interfere with other system components, it should be removed so as not to cause friction heat and wear debris. The flange should also be removed in applications where it may reduce the supply of lubricant to the seal. This would reduce the cooling effect of the lubricant, resulting in elevated underlip temperatures and premature ageing of the seal material.

If the flange is to be removed, it should be cut from the outside diameter into the radius in one location prior to installation. The flange can then be twisted and raised up after installation and grasped with a pair of long-nosed pliers and twisted into a coil.

Size range

The standard size range covers sleeves for shaft diameters from 11,99 to 203,33 mm (0.472 to 8 in.). Depending on production quantities, non-standard sizes can be manufactured. Each sleeve is designed to fit a specific shaft diameter range, usually above and below the nominal shaft diameter. This permits some flexibility to accommodate variations in the actual shaft diameter.

4

Fig. 3

LDSL4 wear sleeve

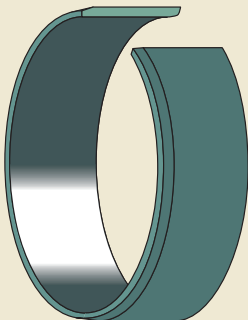
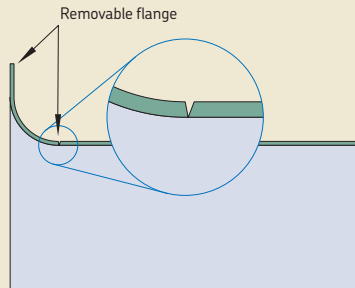


Fig. 4

SKF Speedi-Sleeve removable flange



Wear sleeves

SKF Speedi-Sleeve Gold

The new generation of SKF Speedi-Sleeve is also available in the Gold version, designed for highly abrasive applications. A thin, metallic coating applied to the base stainless steel imparts a gold colour and significantly increases durability. The original seal size can still be used. SKF Speedi-Sleeve Gold is particularly effective in environments where there are abrasive contaminants, especially when combined with a seal manufactured from the SKF fluoro rubber material, SKF Duralife.

Test results

The previous and new generation of SKF Speedi-Sleeve products were tested for abrasion resistance under both coarse and fine dust conditions. A 500 hour contamination test (→ **diagram 1**) showed that when compared to the previous generation sleeve, the new generation SKF Speedi-Sleeve reduced abrasion by a factor of 1,5 and was still operating efficiently.

To test sealing system effectiveness, a 2 000 hour life test was performed (→ **diagram 2**) using SKF Speedi-Sleeve new and previous generation products and SKF Wave seals made from the SKF fluoro rubber material SKF Duralife. The test results showed that SKF Speedi-Sleeve new generation reduced the sealing lip wear and the variation in the wear rate by approximately 30% compared to the previous generation sleeve and outperformed a chromium-plated surface by a factor of 2. This reduction improves the sealing system reliability as well as the predictability of the system service life.

Both tests were carried out under the same operating conditions:

- temperatures up to 110 °C (225 °F)
- linear shaft speeds of up to 8,6 m/s (1 700 ft/min)

In other tests, it was found that continuous salt spray at 35 °C (95 °F) produced no trace of corrosion even after 600 hours. This optimized performance is made possible through the use of the new generation of SKF Speedi-Sleeve.

Diagram 1

SKF Speedi-Sleeve wear test
Abrasive media, test stopped at 500 hours

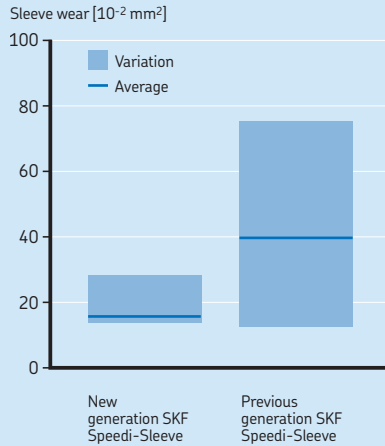
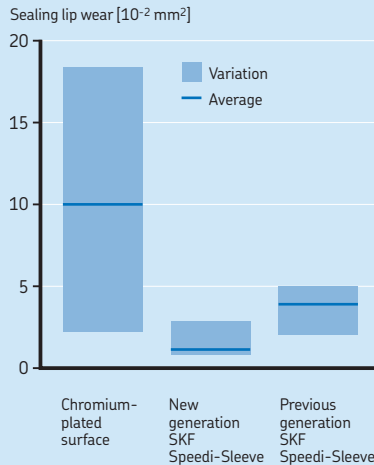


Diagram 2

Sealing lip wear test
Seals made from fluoro rubber, test stopped at 2 000 hours



Selecting the right size

To determine the appropriate sleeve size, it is first necessary to clean the shaft carefully. The diameter of an undamaged section of the seal counterface should then be measured on at least three different planes. The arithmetical mean of these measurements determines the size of SKF Speedi-Sleeve. If the value lies within the permissible range listed in the product table for the shaft diameter d_1 , SKF Speedi-Sleeve will have an adequate tight fit on the shaft and will not require an adhesive.

If no suitable size is listed in the product table, it will be necessary to rework the shaft to an appropriate dimension. This also means that a new seal size will be required. If production quantities are sufficient enough, SKF can provide specially dimensioned SKF Speedi-Sleeve or other wear sleeve solution.

Installing SKF Speedi-Sleeve

All SKF Speedi-Sleeve designs are installed the same way. Although installation is simple, it should be done carefully to achieve the best results. As the thin-walled sleeve has an interference fit, any disturbances on the shaft surface may create a similar pattern on the sleeve surface and cause the seal to leak. Therefore, the seal counterface surface of the shaft should be carefully cleaned and any burrs or rough spots filed down prior to installation. Deep wear grooves, scratches or very rough surfaces should be treated with a suitable powdered metal epoxy-type filler. The sleeve must be positioned on the shaft before the filler has hardened.

SKF Speedi-Sleeve must not be installed over keyways, cross holes, splines or threads since this will result in deformation of the sleeve, making it difficult for the seal to follow its new counterface surface as it rotates.

SKF Speedi-Sleeve should never be heated prior to installation. Using heat will cause the sleeve to expand, but when it cools, it may not contract back to its original size, resulting in a loose fit on the shaft.

See **fig. 5** for different SKF Speedi-Sleeve installations.

SKF Speedi-Sleeve installations

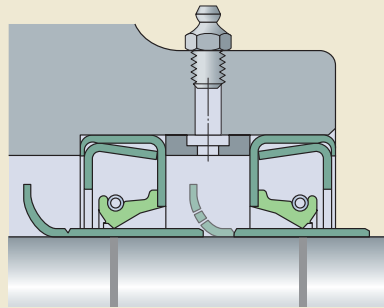
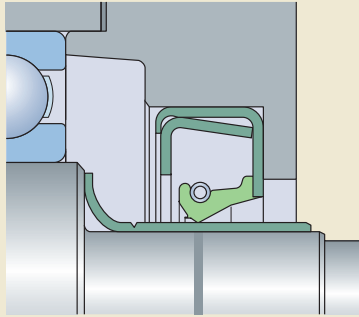


Fig. 6

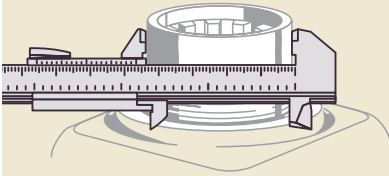


Fig. 7

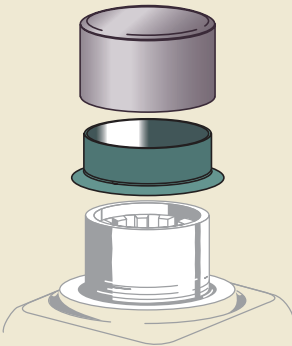
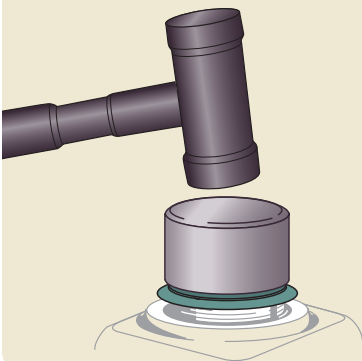


Fig. 8



Installation procedure

- 1 Clean the seal counterface surface on the shaft. File down any burrs or rough spots and make sure that the sleeve will not be installed over keyways, cross holes, splines or similar.
- 2 Measure the diameter on an unworn portion of the shaft where the sleeve will be positioned (→ fig. 6). Measure in three positions and average the readings to make sure the shaft is within recommended specifications. If the average diameter is within the range for a given sleeve size, there is sufficient press fit built into the sleeve to prevent it from sliding or spinning without using an adhesive.
- 3 Determine where the sleeve must be positioned to cover the worn area. Measure to the exact point, or mark directly on the surface. The sleeve must be placed over the worn area, not just bottomed or left flush with the end of the shaft.
- 4 Shallow wear grooves do not require filling. Optionally, a light layer of a non-hardening sealant can be applied to the inside diameter surface of the sleeve. Clean away sealant that migrates to the shaft or sleeve outside diameter surface.
- 5 If the shaft is deeply scored, fill the groove with a powdered metal epoxy-type filler. Install the sleeve before the filler hardens, enabling the sleeve to wipe off any excess filler. Clean away any remaining filler from the sleeve outside diameter surface.
- 6 It should be repeated that heat should never be used to install SKF Speedi-Sleeve.
- 7 If the flange should be removed after installation, cut it from the outside diameter into the radius in one location. The flange end of the sleeve goes on the shaft first. Then, place the installation tool over the sleeve (→ fig. 7).
- 8 Gently tap the centre of the installation tool until the sleeve covers the worn shaft surface (→ fig. 8). If the installation tool is too short, a length of pipe or tubing with a squared-off, burr-free end can be used. Be sure that the inside diameter of the pipe is the same as that of the installation tool. Use care not to scratch the precision ground sleeve's outside diameter.

- 9 SKF Speedi-Sleeve should always be installed so that the outside edge of the sleeve is seated on the full shaft diameter. It must not rest in or outside the chamfer area since the sharp edge will likely cut the sealing lip during seal installation.
- 10 If the flange was cut for removal, use a pair of long-nosed pliers to grasp the flange away from the sleeve and twist it into a coil, being careful not to lift the end of the sleeve off the shaft or it will leave a jagged edge. Flange removal must be done with care to avoid damage to the outside diameter of the sleeve.
- 11 After the sleeve is installed, check again for burrs that could damage the seal.
- 12 Lubricate the sleeve with the system medium before installing the seal.
- 13 Proceed with seal installation.

Removing SKF Speedi-Sleeve

SKF Speedi-Sleeve can be removed by applying heat to the sleeve with an electric heat blower, which will expand it enough to let it slide off the shaft without causing any damage to the shaft.

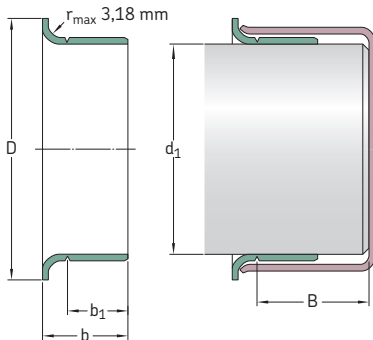
Alternatively, the sleeve can be removed in any of the following ways, always using care not to damage the shaft surface:

- by relieving the press-fit tension using a small hammer to peen across the full width of the sleeve
- by using a cold chisel to cut through the sleeve
- by using a pair of wire cutters starting at or near the flange and applying a twisting motion

Please note that SKF Speedi-Sleeve cannot be reused.

SKF Speedi-Sleeve – metric dimensions (converted from inch dimensions)

d_1 11,99 – 35,99 mm



All sleeves listed in the product table can be manufactured as both standard and Gold version.

Shaft diameter range		Nominal dimensions					Designation	
d_1 min	max	d_1	D $\pm 1,6$	b_1 $\pm 0,8$	b $\pm 0,8$	B^1		
mm		mm						–
11,99	12,07	11,99	15,49	5,99	8,41	47,63	99049	
12,65	12,75	12,70	15,49	6,35	8,74	50,80	99050	
13,89	14,00	14,00	19,05	6,35	9,93	46,51	99055	
14,22	14,38	14,30	19,05	6,35	9,93	46,51	99056	
14,96	15,06	15,01	19,05	5,00	8,99	47,29	99059	
15,82	15,93	15,88 15,88	19,05 19,05	7,95 7,95	10,31 10,31	50,80 50,80	99810 ²⁾ 99062	
15,90	16,00	16,00	18,24	7,95	11,13	50,80	99058	
16,94	17,04	16,99	22,23	8,00	11,00	50,80	99068	
17,32	17,42	17,37	22,86	7,95	11,13	50,80	99060	
17,88	18,01	18,01	24,43	8,00	11,00	46,00	99082	
19,00	19,10	19,05 19,05	24,00 24,00	7,95 7,95	11,13 11,13	50,80 50,80	99811 ²⁾ 99076	
19,28	19,33	19,30	23,83	7,95	11,13	50,80	99081	
19,81	19,91	19,84	23,75	7,95	11,13	50,80	99080	
19,94	20,04	19,99	23,62	8,00	11,00	50,80	99078	
20,62	20,70	20,65	30,18	9,53	14,30	76,20	99083	
21,77	21,87	21,82	29,34	6,35	9,53	50,80	99086	
21,87	22,00	22,00 22,00	30,18 30,18	6,58 8,00	9,12 11,99	47,14 46,02	99084 99085	
22,17	22,28	22,23 22,23	27,79 27,79	7,95 7,95	11,13 11,13	50,80 50,80	99812 ²⁾ 99087	

¹⁾ Possible max. distance of the rear groove from the shaft end when the installation tool supplied with the sleeve is used

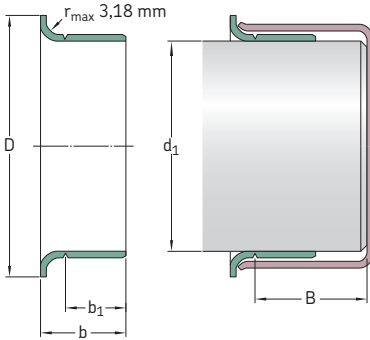
²⁾ SKF Speedi-Sleeve Gold

Shaft diameter range		Nominal dimensions					Designation
d ₁ min	max	d ₁	D ±1,6	b ₁ ±0,8	b ±0,8	B ¹⁾	
mm		mm					–
23,06	23,16	23,11	30,94	7,95	11,13	46,91	99860²⁾
		23,11	30,94	7,95	11,13	46,91	99091
23,88	24,00	24,00	28,70	7,95	11,13	50,80	99092
24,54	24,64	24,61	28,70	7,95	11,13	50,80	99094
		24,61	28,70	15,88	18,26	50,80	99096
24,94	25,04	24,99	33,02	7,95	11,00	50,80	99813²⁾
		24,99	33,02	7,95	11,00	50,80	99098
25,35	25,45	25,40	30,96	7,95	11,13	50,80	99814²⁾
		25,40	30,96	7,95	11,13	50,80	99868
25,88	26,01	26,01	33,35	8,00	11,99	46,05	99103
26,92	27,03	27,00	33,53	7,95	11,13	46,81	99815²⁾
		27,00	33,53	7,95	11,13	46,81	99106
27,61	27,71	27,66	35,71	7,95	11,13	15,88	99108
27,94	28,04	27,99	34,93	9,53	12,70	46,81	99866³⁾
		27,99	34,93	9,53	12,70	46,81	99111
28,52	28,63	28,58	38,10	7,95	11,13	17,48	99816²⁾
		28,58	38,10	7,95	11,13	17,48	99112
		28,58	38,10	9,53	12,70	17,48	99116
29,31	29,41	29,36	34,29	9,53	12,70	17,48	99865³⁾
		29,36	34,29	9,53	12,70	17,48	99120
29,79	29,92	29,85	35,56	7,95	11,13	17,48	99122
29,95	30,07	30,00	35,56	8,00	11,00	17,48	99114
30,10	30,23	30,18	35,56	7,95	11,13	17,48	99118
30,89	31,04	30,96	39,70	7,95	11,00	15,88	99123
31,42	31,57	31,50	39,12	8,00	11,13	17,48	99141
31,67	31,83	31,75	38,10	7,95	11,13	17,48	99817²⁾
		31,75	38,10	7,95	11,13	17,48	99125
31,93	32,08	32,00	38,10	8,00	11,13	17,48	99128
32,94	33,05	32,99	40,49	15,01	18,01	25,40	99121
33,22	33,38	33,35	40,64	6,35	9,53	20,65	99129
33,27	33,43	33,35	40,49	12,70	15,88	20,65	99818²⁾
		33,35	40,49	12,70	15,88	20,65	99131
33,86	34,01	34,01	41,28	12,70	15,88	20,65	99134
34,82	34,98	34,93	41,61	7,95	11,13	20,65	99133
		34,93	41,61	12,70	15,88	20,65	99819²⁾
		34,93	41,61	12,70	15,88	20,65	99138
34,93	35,08	34,93	41,61	13,00	16,00	20,65	99820²⁾
		34,93	41,61	13,00	16,00	20,65	99139
35,84	35,99	35,99	45,24	13,00	16,99	24,99	99146

¹⁾ Possible max. distance of the rear groove from the shaft end when the installation tool supplied with the sleeve is used

²⁾ SKF Speedi-Sleeve Gold

SKF Speedi-Sleeve – metric dimensions (converted from inch dimensions)
d₁ 36,37 – 54,10 mm



All sleeves listed in the product table can be manufactured as both standard and Gold version.

Shaft diameter range		Nominal dimensions					Designation
d ₁ min	max	d ₁	D ±1,6	b ₁ ±0,8	b ±0,8	B ¹⁾	
mm		mm					–
36,37	36,53	36,53	45,24	14,30	17,48	25,81	99821²⁾
		36,53	45,24	14,30	17,48	25,81	99143
36,45	36,60	36,53	45,24	9,53	12,70	25,81	99144
37,85	38,00	38,00	45,24	13,00	16,99	24,99	99147
38,02	38,18	38,10	45,24	9,53	12,70	25,81	99823²⁾
		38,10	45,24	9,53	12,70	25,81	99150
		38,10	45,24	14,30	17,48	25,81	99822²⁾
		38,10	45,24	14,30	17,48	25,81	99149
38,61	38,76	38,68	47,22	11,13	14,30	25,81	99152
39,34	39,50	39,42	47,22	11,13	14,30	25,81	99155
39,60	39,75	39,67	47,22	14,30	17,48	25,81	99824²⁾
		39,67	47,22	14,30	17,48	25,81	99156
39,78	39,93	39,85	47,22	15,88	19,05	25,81	99159
39,85	40,01	40,01	46,99	9,91	12,93	25,40	99153
39,93	40,08	40,08	46,99	13,00	16,00	25,98	99825²⁾
		40,08	46,99	13,00	16,00	25,98	99157
40,69	40,84	40,77	49,23	12,70	16,28	25,40	99160
40,84	41,00	41,00	49,23	12,70	15,88	25,81	99163
41,20	41,35	41,28	47,63	7,95	11,13	25,81	99161
		41,28	47,63	14,30	17,48	20,65	99826²⁾
		41,28	47,63	14,30	17,48	20,65	99162
41,83	42,01	41,91	53,01	11,30	14,50	21,49	99166
		41,91	53,01	14,30	17,50	21,01	99169
		42,01	53,01	14,30	17,50	21,01	99873²⁾

¹⁾ Possible max. distance of the rear groove from the shaft end when the installation tool supplied with the sleeve is used

²⁾ SKF Speedi-Sleeve Gold

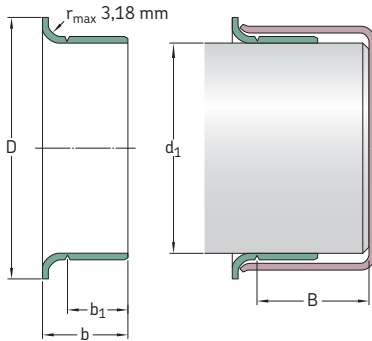
Shaft diameter range		Nominal dimensions					Designation
d ₁ min	max	d ₁	D ±1,6	b ₁ ±0,8	b ±0,8	B ¹⁾	
mm	mm	mm					–
41,99	42,14	42,06	53,01	13,97	17,50	21,01	99165
42,77	42,93	42,88	48,41	14,30	17,48	22,23	99168
42,80	42,95	42,88	48,41	7,95	11,13	22,23	99167
42,85	43,00	43,00	48,41	12,70	15,88	21,44	99182
43,56	43,71	43,66	51,59	14,30	17,48	20,65	99171
44,09	44,25	44,17	52,40	9,53	12,70	20,65	99170
44,37	44,53	44,45	52,20	9,53	12,70	20,65	99172
		44,45	52,40	13,49	15,88	22,30	99180
		44,45	52,40	14,30	17,48	20,65	99827 ²⁾
		44,45	52,40	14,30	17,48	20,65	99174
		44,45	52,40	19,05	22,23	20,65	99828 ²⁾
		44,45	52,40	19,05	22,23	20,65	99175
44,73	44,88	44,86	52,40	14,30	17,48	20,65	99829 ²⁾
		44,86	52,40	14,30	17,48	20,65	99176
44,93	45,09	45,01	53,01	14,00	16,99	20,62	99830 ²⁾
		45,01	53,01	14,00	16,99	20,62	99177
45,16	45,31	45,24	53,98	16,94	20,32	26,97	99179
45,95	46,10	46,05	53,09	14,30	17,48	25,40	99831 ²⁾
		46,05	53,09	14,30	17,48	25,40	99181
47,17	47,32	47,22	54,76	14,30	17,48	25,40	99185
47,40	47,55	47,45	55,58	22,58	26,04	25,40	99186
47,55	47,70	47,63	55,96	4,45	7,49	18,90	99190
		47,63	55,96	7,49	10,54	18,90	99188
		47,63	55,96	9,53	13,11	26,67	99184
		47,63	55,96	14,30	17,48	25,40	99832 ²⁾
		47,63	55,96	14,30	17,48	25,40	99187
47,93	48,08	48,03	56,01	14,00	16,97	24,99	99189
48,49	48,64	48,56	56,36	9,53	12,70	25,40	99192
49,12	49,28	49,23	56,36	14,30	17,48	25,40	99833 ²⁾
		49,23	56,36	14,30	17,48	25,40	99193
49,91	50,06	50,01	56,49	14,00	16,97	34,29	99052
		50,01	57,00	14,00	16,97	24,99	99196
50,22	50,37	50,29	58,75	14,30	17,88	26,67	99198
50,72	50,88	50,80	61,11	14,30	17,48	25,55	99834 ²⁾
		50,80	61,11	14,30	17,48	25,40	99199
		50,80	61,11	22,23	25,40	25,40	99835 ²⁾
		50,80	61,11	22,23	25,40	25,40	99200
51,82	51,99	51,99	62,71	12,70	15,88	34,52	99878
52,25	52,40	52,40	62,71	19,84	23,83	34,93	99205
53,92	54,05	53,98	61,52	12,70	19,05	32,54	99210
53,95	54,10	53,98	61,52	19,84	23,83	34,93	99836 ²⁾
		53,98	61,52	19,84	23,83	34,93	99212

¹⁾ Possible max. distance of the rear groove from the shaft end when the installation tool supplied with the sleeve is used

²⁾ SKF Speedi-Sleeve Gold

SKF Speedi-Sleeve – metric dimensions (converted from inch dimensions)

d_1 54,91 – 74,75 mm



All sleeves listed in the product table can be manufactured as both standard and Gold version.

Shaft diameter range		Nominal dimensions					Designation
d_1 min	max	d_1	D $\pm 1,6$	b_1 $\pm 0,8$	b $\pm 0,8$	B^1	
mm		mm					–
54,91	55,07	54,99	62,00	19,99	22,99	31,75	99863 ²⁾
		54,99	62,00	19,99	22,99	31,75	99215
55,52	55,68	55,58	63,50	19,84	23,83	33,35	99218
55,83	56,01	56,01	64,29	12,70	15,88	33,35	99220
		56,01	64,29	19,79	23,77	80,01	99224
56,57	56,72	56,64	64,29	12,70	15,88	33,35	99861 ²⁾
		56,64	64,29	12,70	15,88	33,35	99229
		56,64	64,29	19,84	23,01	31,75	99230
56,82	56,97	56,90	65,10	19,41	22,86	31,75	99226
57,12	57,28	57,15	64,29	7,95	11,13	33,35	99838 ²⁾
		57,15	64,29	7,95	11,13	33,35	99227
		57,15	64,29	19,84	23,83	33,35	99837 ²⁾
		57,15	64,29	19,84	23,83	33,35	99225
57,91	58,06	57,99	65,99	19,99	23,83	34,93	99219
58,65	58,80	58,75	68,28	19,84	23,83	34,93	99231
59,11	59,26	59,13	69,85	19,05	22,23	38,10	99233
59,92	60,07	59,99	70,74	9,40	11,43	37,36	99241
		59,99	70,74	19,99	22,99	34,93	99869 ²⁾
		59,99	70,74	19,99	22,99	34,93	99235
60,25	60,40	60,33	69,85	15,09	19,05	34,93	99238
60,30	60,45	60,33	69,85	13,36	17,35	34,93	99240
		60,33	69,85	19,84	23,83	34,93	99839 ²⁾
		60,33	69,85	19,84	23,83	34,93	99237
61,82	62,00	61,93	71,83	19,84	23,83	35,38	99243
		62,00	71,83	12,70	15,88	36,20	99244

¹⁾ Possible max. distance of the rear groove from the shaft end when the installation tool supplied with the sleeve is used

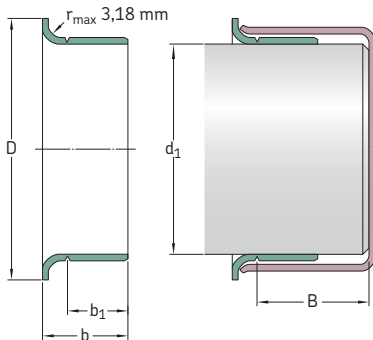
²⁾ SKF Speedi-Sleeve Gold

Shaft diameter range		Nominal dimensions					Designation
d ₁ min	max	d ₁	D ±1,6	b ₁ ±0,8	b ±0,8	B ¹⁾	
mm		mm					–
61,85	62,00	61,93	71,83	12,70	15,88	36,20	99242
63,22	63,37	63,30	73,03	19,84	23,83	35,38	99249
63,42	63,58	63,50	71,63	14,10	16,51	22,61	99253
63,50	63,65	63,50 63,50 63,50	71,83 71,63 71,63	12,70 19,84 19,84	16,66 23,83 23,83	35,38 34,93 34,93	99248 99840²⁾ 99250
63,75	63,91	63,91	71,83	19,84	23,01	36,53	99251
64,92	65,07	65,00 65,00	72,39 72,39	19,99 19,99	22,99 22,99	34,93 34,93	99841²⁾ 99254
65,02	65,18	65,10	73,43	19,84	23,83	34,93	99256
65,91	66,07	65,99	75,95	19,84	23,83	31,75	99259
66,50	66,65	66,57	77,39	19,84	23,83	34,93	99261
66,57	66,73	66,68	77,39	19,84	23,01	34,93	99264
66,60	66,75	66,68	77,39	12,70	15,88	34,93	99260
66,68	66,83	66,68 66,68	77,39 77,39	19,84 19,84	23,83 23,83	34,93 34,93	99842²⁾ 99262
67,82	68,00	68,00	79,38	19,05	22,23	42,88	99266
69,27	69,42	69,34	79,38	19,84	23,01	33,35	99268
69,60	69,75	69,67	77,85	19,84	23,83	31,75	99273
69,72	69,88	69,85 69,85	79,38 79,38	19,84 19,84	23,83 23,83	31,75 31,75	99843²⁾ 99274
69,77	69,93	69,85	78,11	36,53	41,28	41,28	99267
69,85	70,00	69,85 69,85 69,85 69,85	79,38 79,38 79,38 79,38	10,31 19,84 19,84 19,84	14,30 23,83 23,83 28,58	31,75 31,75 31,75 33,32	99272 99844²⁾ 99275 99269
69,93	70,08	70,00	79,38	19,99	24,00	31,75	99276
71,35	71,50	71,45	80,98	15,09	17,48	31,75	99281
71,83	72,01	72,01 72,01	81,92 81,92	19,05 19,05	22,23 22,23	34,11 34,11	99870²⁾ 99284
72,09	72,24	72,09 72,09	81,92 81,92	12,70 12,70	16,66 16,66	31,75 31,75	99845²⁾ 99282
72,80	72,95	72,87	80,98	19,84	23,83	31,75	99286
72,97	73,13	73,03 73,03	81,76 81,76	19,84 19,84	23,83 23,83	31,75 31,75	99846²⁾ 99287
74,60	74,75	74,63 74,63 74,68	84,94 84,94 84,94	12,70 19,84 19,84	16,28 23,83 23,83	33,81 33,35 33,35	99290 99847²⁾ 99293

¹⁾ Possible max. distance of the rear groove from the shaft end when the installation tool supplied with the sleeve is used

²⁾ SKF Speedi-Sleeve Gold

SKF Speedi-Sleeve – metric dimensions (converted from inch dimensions)
d₁ 74,93 – 98,53 mm



All sleeves listed in the product table can be manufactured as both standard and Gold version.

Shaft diameter range		Nominal dimensions					Designation
d ₁ min	max	d ₁	D ±1,6	b ₁ ±0,8	b ±0,8	B ¹⁾	
mm		mm					–
74,93	75,08	75,01	83,13	15,09	17,53	27,51	99289
		75,01	83,95	22,00	26,01	33,35	99875²⁾
		75,01	83,95	22,00	26,01	33,35	99294
75,49	75,59	75,54	82,17	20,65	25,40	31,75	99292
75,95	76,10	76,02	85,32	12,29	15,88	33,81	99291
		76,02	85,32	14,30	17,48	34,93	99298
		76,02	85,09	20,65	25,40	32,54	99299
76,12	76,28	76,20	82,30	20,65	23,83	34,93	99296
76,20	76,35	76,20	84,96	15,88	20,65	32,51	99048
		76,20	82,17	20,65	25,40	32,54	99848²⁾
		76,20	82,17	20,65	25,40	32,54	99300
76,40	76,56	76,48	85,22	12,70	15,88	50,80	99301
77,83	78,00	78,00	88,09	19,05	22,23	52,22	99306
79,25	79,40	79,38	89,69	17,48	20,65	50,80	99311
		79,38	89,69	20,65	25,40	50,80	99849²⁾
		79,38	89,69	20,65	25,40	50,80	99312
79,35	79,55	79,38	89,54	14,00	18,01	51,59	99053
79,81	80,01	80,01	89,92	19,05	22,50	34,93	99313
79,91	80,09	80,01	89,99	11,00	15,01	34,93	99317
		80,01	89,99	21,01	24,00	34,93	99315
81,92	82,07	81,99	91,06	16,76	21,54	44,45	99328
82,47	82,63	82,55	91,29	20,65	25,40	34,93	99322

¹⁾ Possible max. distance of the rear groove from the shaft end when the installation tool supplied with the sleeve is used

²⁾ SKF Speedi-Sleeve Gold

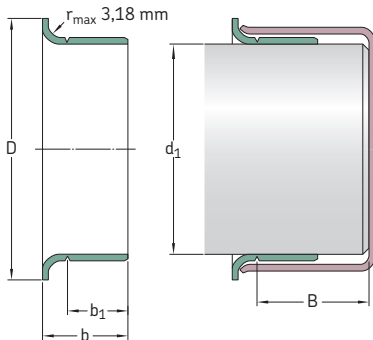
Shaft diameter range		Nominal dimensions					Designation
d ₁ min	max	d ₁	D ±1,6	b ₁ ±0,8	b ±0,8	B ¹⁾	
mm		mm					–
82,55	82,70	82,55	90,81	15,11	18,26	34,93	99850²⁾
		82,55	90,81	15,11	18,26	34,93	99324
		82,55	91,06	17,48	22,23	31,75	99326
		82,55	91,06	20,65	25,40	34,93	99851²⁾
		82,55	91,06	20,65	25,40	34,93	99325
84,00	84,15	84,07	93,68	20,65	25,40	34,93	99331
84,76	85,01	84,89	93,98	16,99	21,01	35,00	99332
		84,89	93,98	21,01	24,99	35,00	99872²⁾
		84,89	93,98	21,01	24,99	35,00	99333
84,79	85,01	85,01	90,93	10,13	12,67	36,35	99334
85,67	85,83	85,73	93,68	9,53	12,70	35,81	99338
		85,73	93,85	20,65	25,40	34,93	99337
87,25	87,40	87,33	97,64	19,84	23,01	35,71	99339
87,80	88,00	88,00	95,28	29,21	34,27	42,50	99481
88,32	88,47	88,39	97,41	19,84	23,01	35,71	99340
88,82	88,98	88,90	97,64	15,88	20,65	34,21	99346
88,90	89,05	88,90	97,16	7,95	12,70	34,21	99347
		88,90	97,64	20,65	25,40	34,21	99852²⁾
		88,90	97,64	20,65	25,40	34,21	99350
88,93	89,08	89,00	97,64	15,88	20,65	34,24	99349
89,92	90,07	89,99	101,60	11,13	13,67	46,05	99352
		89,99	101,60	13,36	16,94	44,45	99353
		89,99	101,60	18,03	23,01	46,05	99351
		89,99	101,60	23,01	27,99	44,45	99354
90,42	90,58	90,50	99,06	20,65	25,40	44,45	99356
91,90	92,05	91,97	102,39	20,65	25,40	44,45	99360
92,02	92,18	92,08	102,24	12,70	15,88	44,45	99363
		92,08	102,39	20,65	25,40	44,45	99362
93,57	93,73	93,68	102,39	7,95	11,13	22,23	99368
93,60	93,75	93,68	102,24	20,65	23,83	45,72	99365
94,67	94,82	94,74	102,01	11,91	15,09	45,72	99359
		94,74	102,24	19,84	23,01	45,72	99366
94,92	95,07	95,00	102,24	21,01	24,00	45,72	99369
95,00	95,15	95,07	102,39	8,74	12,70	45,72	99374
		95,07	102,49	11,91	15,09	45,72	99364
95,15	95,30	95,22	102,24	14,30	17,48	45,72	99376
95,25	95,40	95,25	102,11	17,48	22,23	45,72	99853²⁾
		95,33	102,24	8,74	12,70	45,72	99367
		95,33	102,11	17,48	22,23	45,72	99372
98,25	98,40	98,32	106,30	20,65	25,40	47,63	99386
98,37	98,53	98,43	107,16	20,65	25,40	47,63	99387

¹⁾ Possible max. distance of the rear groove from the shaft end when the installation tool supplied with the sleeve is used

²⁾ SKF Speedi-Sleeve Gold

SKF Speedi-Sleeve – metric dimensions (converted from inch dimensions)

d_1 99,95 – 152,48 mm



All sleeves listed in the product table can be manufactured as both standard and Gold version.

Shaft diameter range		Nominal dimensions					Designation
d_1 min	max	d_1	D $\pm 1,6$	b_1 $\pm 0,8$	b $\pm 0,8$	B^1	
mm		mm					–
99,95	100,10	100,03	109,55	20,65	25,40	52,07	99854²⁾ 99393
		100,03	109,55	20,65	25,40	52,07	
101,55	101,75	101,60	111,13	12,70	15,88	52,48	99401 99395 99400 99855²⁾ 99399
		101,60	111,13	15,24	18,42	52,07	
		101,60	111,13	16,51	19,69	34,93	
		101,60	111,13	20,65	25,40	52,07	
		101,60	111,13	20,65	25,40	52,07	
103,89	104,09	103,99	112,73	19,99	24,00	35,99	99409
104,70	104,90	104,78	113,54	20,65	25,40	34,93	99412
104,90	105,11	105,00	113,54	19,99	23,19	35,00	99413
106,25	106,45	106,38	114,30	20,65	25,40	34,93	99418
107,34	107,54	107,54	117,09	19,84	23,01	36,53	99423
107,90	108,10	107,95	117,09	20,65	25,40	36,53	99424
109,78	110,01	110,01	124,99	11,38	14,96	32,94	99434
109,91	110,11	109,93	124,99	12,93	16,51	31,75	99435
111,00	111,20	111,13	120,65	20,65	25,40	41,91	99437
111,79	111,99	111,99	120,65	19,05	22,50	33,02	99438
112,62	112,83	112,73	122,25	25,40	29,01	33,35	99439
114,20	114,40	114,30	123,19	20,65	25,40	31,75	99856²⁾ 99450
		114,30	124,46	20,65	25,40	31,75	
114,88	115,09	115,01	127,00	20,65	23,83	31,75	99452
117,37	117,58	117,48	127,00	11,13	15,88	34,93	99465 99463
		117,48	128,60	25,40	31,75	34,93	

¹⁾ Possible max. distance of the rear groove from the shaft end when the installation tool supplied with the sleeve is used

²⁾ SKF Speedi-Sleeve Gold

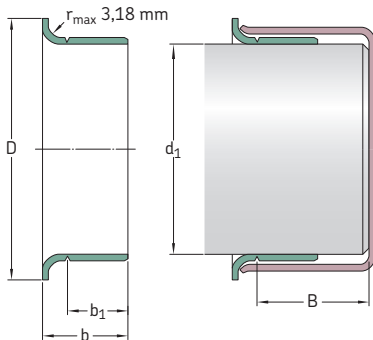
Shaft diameter range		Nominal dimensions					Designation
d ₁ min	max	d ₁	D ±1,6	b ₁ ±0,8	b ±0,8	B ¹⁾	
mm		mm					–
119,00	119,20	119,08	128,60	20,65	25,40	34,93	99468
119,89	120,09	119,99 119,99	129,79 129,79	8,00 19,99	11,00 24,99	33,60 32,00	99471 99473
120,55	120,75	120,65	127,00	12,70	19,05	38,10	99475
121,89	122,10	122,00	131,50	19,99	24,00	32,00	99472
122,91	123,11	123,01	132,82	19,99	24,99	31,60	99484
123,72	123,93	123,83	133,35	15,88	19,05	36,53	99487
124,89	125,10	124,99 124,99	137,16 137,16	10,01 26,01	14,00 32,00	36,53 36,53	99490 99492
126,95	127,15	127,00 127,00 127,00 127,00 127,00	137,16 137,16 137,16 136,91 136,91	13,72 17,48 17,48 20,65 20,65	17,30 22,23 22,23 25,40 25,40	36,53 36,53 36,53 36,53 36,53	99501 99857²⁾ 99498 99858²⁾ 99499
127,80	128,00	128,00	135,26	29,21	34,27	40,30	99482
129,79	130,00	129,90	139,52	19,05	23,83	30,00	99494
129,97	130,18	130,00 130,18	139,52 139,52	22,00 22,00	25,30 25,30	32,51 32,51	99874²⁾ 99491
130,05	130,25	130,18	139,70	20,65	25,40	31,75	99513
133,25	133,45	133,35	141,22	20,65	25,40	31,75	99525
134,80	135,00	134,90	145,67	20,50	25,40	31,75	99533
136,42	136,63	136,53	149,23	20,65	25,40	31,75	99537
138,02	138,23	138,13	146,05	38,10	42,88	47,63	99548
138,99	139,19	139,09	149,86	14,30	19,05	31,34	99547
139,65	139,85	139,70 139,70 139,70	150,83 150,83 150,83	13,16 20,65 20,65	17,91 25,40 25,40	31,75 31,75 31,75	99550 99859²⁾ 99549
139,90	140,11	140,00	151,00	20,50	25,40	31,75	99552
142,77	142,98	142,88	157,18	22,23	25,40	46,02	99560
144,75	145,01	145,01	154,94	19,05	22,23	46,02	99571
145,44	145,64	145,64	154,94	14,30	19,05	49,23	99562
145,95	146,15	146,05	156,97	20,65	25,40	44,45	99575
149,12	149,33	149,23 149,23	157,18 157,18	25,40 25,40	31,75 31,75	33,35 33,35	99862²⁾ 99587
149,76	150,01	149,99	159,00	26,01	30,00	32,51	99595
150,72	150,93	150,83	161,93	25,40	28,58	47,63	99596
152,27	152,48	152,40 152,40	161,54 161,93	12,70 25,40	19,05 31,75	44,45 44,45	99601 99599

¹⁾ Possible max. distance of the rear groove from the shaft end when the installation tool supplied with the sleeve is used

²⁾ SKF Speedi-Sleeve Gold

SKF Speedi-Sleeve – metric dimensions (converted from inch dimensions)

d_1 153,87 – 203,33 mm



All sleeves listed in the product table can be manufactured as both standard and Gold version.

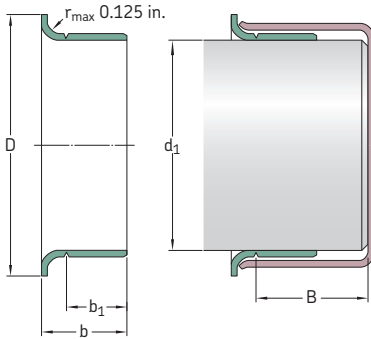
Shaft diameter range		Nominal dimensions					Designation
d_1 min	max	d_1	D $\pm 1,6$	b_1 $\pm 0,8$	b $\pm 0,8$	$B^1)$	
mm		mm					–
153,87	154,13	154,00	161,93	26,01	30,00	32,99	99605
154,74	154,99	154,86	167,01	26,01	30,00	32,99	99606
157,43	157,68	157,56	168,28	20,65	27,00	44,45	99620
158,62	158,88	158,75	168,28	26,19	31,75	44,45	99625
159,74	159,99	159,99	171,45	25,40	31,75	34,93	99630
164,97	165,23	165,10	177,80	25,40	31,75	34,93	99650
169,75	170,00	169,88	182,58	31,75	38,00	44,45	99640
171,32	171,58	171,45	180,98	20,65	27,00	44,45	99675
174,75	175,01	175,01	186,99	27,99	32,00	35,00	99687
177,67	177,93	177,80 177,80	189,87 189,87	25,40 25,40	31,75 31,75	42,88 42,88	99864 ²⁾ 99700
179,76	180,01	180,01	190,50	32,99	38,00	44,50	99721
184,00	184,25	184,15	197,10	31,75	38,10	55,25	99725
184,73	184,99	184,86	197,10	32,00	38,00	54,99	99726
189,08	189,33	189,31	199,64	20,65	25,40	31,75	99745
190,37	190,63	190,50	200,03	20,65	25,40	31,75	99750
196,72	196,98	196,85	210,06	25,40	33,35	47,63	99775
199,87	200,13	200,03	212,73	34,52	38,10	44,45	99787
201,50	201,75	201,63	212,73	25,40	31,75	44,45	99799
203,07	203,33	203,20	212,73	25,40	31,75	44,45	99800

¹⁾ Possible max. distance of the rear groove from the shaft end when the installation tool supplied with the sleeve is used

²⁾ SKF Speedi-Sleeve Gold

SKF Speedi-Sleeve – inch dimensions

d_1 0.472 – 0.877 in.



All sleeves listed in the product table can be manufactured as both standard and Gold version.

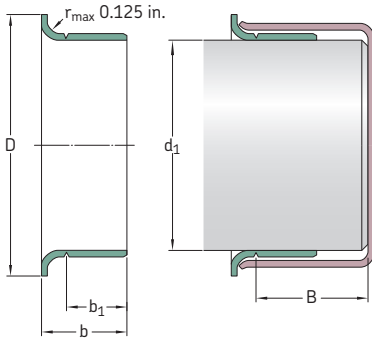
Shaft diameter range		Nominal dimensions					Designation	
d_1 min	max	d_1	D ± 0.063	b_1 ± 0.031	b ± 0.031	$B^1)$		
in.		in.						–
0.472	0.475	0.472	0.610	0.236	0.331	1.875	99049	
0.498	0.502	0.500	0.610	0.250	0.344	2.000	99050	
0.547	0.551	0.551	0.750	0.250	0.391	1.831	99055	
0.560	0.566	0.563	0.750	0.250	0.391	1.831	99056	
0.589	0.593	0.591	0.750	0.197	0.354	1.862	99059	
0.623	0.627	0.625	0.750	0.313	0.406	2.000	99810 ²⁾	
		0.625	0.750	0.313	0.406	2.000	99062	
0.626	0.630	0.630	0.718	0.313	0.438	2.000	99058	
0.667	0.671	0.669	0.875	0.315	0.433	2.000	99068	
0.682	0.686	0.684	0.900	0.313	0.438	2.000	99060	
0.704	0.709	0.709	0.962	0.315	0.433	1.811	99082	
0.748	0.752	0.750	0.945	0.313	0.438	2.000	99811 ²⁾	
		0.750	0.945	0.313	0.438	2.000	99076	
0.759	0.761	0.760	0.938	0.313	0.438	2.000	99081	
0.780	0.784	0.781	0.935	0.313	0.438	2.000	99080	
0.785	0.789	0.787	0.930	0.315	0.433	2.000	99078	
0.812	0.815	0.813	1.188	0.375	0.563	3.000	99083	
0.857	0.861	0.859	1.155	0.250	0.375	2.000	99086	
0.861	0.866	0.866	1.188	0.259	0.359	1.856	99084	
		0.866	1.188	0.315	0.472	1.812	99085	
0.873	0.877	0.875	1.094	0.313	0.438	2.000	99812 ²⁾	
		0.875	1.094	0.313	0.438	2.000	99087	

¹⁾ Possible max. distance of the rear groove from the shaft end when the installation tool supplied with the sleeve is used

²⁾ SKF Speedi-Sleeve Gold

SKF Speedi-Sleeve – inch dimensions

d_1 0.908 – 1.659 in.



All sleeves listed in the product table can be manufactured as both standard and Gold version.

Shaft diameter range		Nominal dimensions					Designation	
d_1 min	max	d_1	D ± 0.063	b_1 ± 0.031	b ± 0.031	B ¹⁾		
in.		in.						–
0.908	0.912	0.910	1.218	0.313	0.438	1.847	99860 ²⁾	
		0.910	1.218	0.313	0.438	1.847	99091	
0.940	0.945	0.945	1.130	0.313	0.438	2.000	99092	
0.966	0.970	0.969	1.130	0.313	0.438	2.000	99094	
		0.969	1.130	0.625	0.719	2.000	99096	
0.982	0.986	0.984	1.300	0.313	0.433	2.000	99813 ²⁾	
		0.984	1.300	0.313	0.433	2.000	99098	
0.998	1.002	1.000	1.219	0.313	0.438	2.000	99814 ²⁾	
		1.000	1.219	0.313	0.438	2.000	99868	
1.019	1.024	1.024	1.313	0.315	0.472	1.813	99103	
1.060	1.064	1.063	1.320	0.313	0.438	1.843	99815 ²⁾	
		1.063	1.320	0.313	0.438	1.843	99106	
1.087	1.091	1.089	1.406	0.313	0.438	0.625	99108	
1.100	1.104	1.102	1.375	0.375	0.500	1.843	99866 ²⁾	
		1.102	1.375	0.375	0.500	1.843	99111	
1.123	1.127	1.125	1.500	0.313	0.438	0.688	99816 ²⁾	
		1.125	1.500	0.313	0.438	0.688	99112	
		1.125	1.500	0.375	0.500	0.688	99116	
1.154	1.158	1.156	1.350	0.375	0.500	0.688	99865 ²⁾	
		1.156	1.350	0.375	0.500	0.688	99120	
1.173	1.178	1.175	1.400	0.313	0.438	0.688	99122	
1.179	1.184	1.181	1.400	0.315	0.433	0.688	99114	
1.185	1.190	1.188	1.400	0.313	0.438	0.688	99118	
1.216	1.222	1.219	1.563	0.313	0.433	0.625	99123	

¹⁾ Possible max. distance of the rear groove from the shaft end when the installation tool supplied with the sleeve is used

²⁾ SKF Speedi-Sleeve Gold

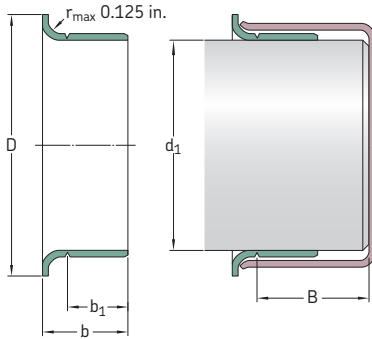
Shaft diameter range		Nominal dimensions					Designation
d ₁ min	max	d ₁	D ±0.063	b ₁ ±0.031	b ±0.031	B ¹⁾	
in.		in.					–
1.237	1.243	1.240	1.540	0.315	0.438	0.688	99141
1.247	1.253	1.250 1.250	1.500 1.500	0.313 0.313	0.438 0.438	0.688 0.688	99817²⁾ 99125
1.257	1.263	1.260	1.500	0.315	0.438	0.688	99128
1.297	1.301	1.299	1.594	0.591	0.709	1.000	99121
1.308	1.314	1.313	1.600	0.250	0.375	0.813	99129
1.310	1.316	1.313 1.313	1.594 1.594	0.500 0.500	0.625 0.625	0.813 0.813	99818²⁾ 99131
1.333	1.339	1.339	1.625	0.500	0.625	0.813	99134
1.371	1.377	1.375 1.375 1.375	1.638 1.638 1.638	0.313 0.500 0.500	0.438 0.625 0.625	0.813 0.813 0.813	99133 99819²⁾ 99138
1.375	1.381	1.375 1.375	1.638 1.638	0.512 0.512	0.630 0.630	0.813 0.813	99820²⁾ 99139
1.411	1.417	1.417	1.781	0.512	0.669	0.984	99146
1.432	1.438	1.438 1.438	1.781 1.781	0.563 0.563	0.688 0.688	1.016 1.016	99821²⁾ 99143
1.435	1.441	1.438	1.781	0.375	0.500	1.016	99144
1.490	1.496	1.496	1.781	0.512	0.669	0.984	99147
1.497	1.503	1.500 1.500 1.500 1.500	1.781 1.781 1.781 1.781	0.375 0.375 0.563 0.563	0.500 0.500 0.688 0.688	1.016 1.016 1.016 1.016	99823²⁾ 99150 99822²⁾ 99149
1.520	1.526	1.523	1.859	0.438	0.563	1.016	99152
1.549	1.555	1.552	1.859	0.438	0.563	1.016	99155
1.559	1.565	1.562 1.562	1.859 1.859	0.563 0.563	0.688 0.688	1.016 1.016	99824²⁾ 99156
1.566	1.572	1.569	1.859	0.625	0.750	1.016	99159
1.569	1.575	1.575	1.850	0.390	0.509	1.000	99153
1.572	1.578	1.578 1.578	1.850 1.850	0.512 0.512	0.630 0.630	1.023 1.023	99825²⁾ 99157
1.602	1.608	1.605	1.938	0.500	0.641	1.000	99160
1.608	1.614	1.614	1.938	0.500	0.625	1.016	99163
1.622	1.628	1.625 1.625 1.625	1.875 1.875 1.875	0.313 0.563 0.563	0.438 0.688 0.688	1.016 0.813 0.813	99161 99826²⁾ 99162
1.647	1.654	1.650 1.650 1.654	2.087 2.087 2.087	0.445 0.563 0.563	0.571 0.689 0.689	0.846 0.827 0.827	99166 99169 99873²⁾
1.653	1.659	1.656	2.087	0.550	0.689	0.827	99165

¹⁾ Possible max. distance of the rear groove from the shaft end when the installation tool supplied with the sleeve is used

²⁾ SKF Speedi-Sleeve Gold

SKF Speedi-Sleeve – inch dimensions

d_1 1.684 – 2.441 in.



All sleeves listed in the product table can be manufactured as both standard and Gold version.

Shaft diameter range		Nominal dimensions					Designation
d_1 min	max	d_1	D ± 0.063	b_1 ± 0.031	b ± 0.031	B^1	
in.		in.					–
1.684	1.690	1.688	1.906	0.563	0.688	0.875	99168
1.685	1.691	1.688	1.906	0.313	0.438	0.875	99167
1.687	1.693	1.693	1.906	0.500	0.625	0.844	99182
1.715	1.721	1.719	2.031	0.563	0.688	0.813	99171
1.736	1.742	1.739	2.063	0.375	0.500	0.813	99170
1.747	1.753	1.750	2.055	0.375	0.500	0.813	99172
		1.750	2.063	0.531	0.625	0.878	99180
		1.750	2.063	0.563	0.688	0.813	99827²⁾
		1.750	2.063	0.563	0.688	0.813	99174
		1.750	2.063	0.750	0.875	0.813	99828²⁾
		1.750	2.063	0.750	0.875	0.813	99175
1.761	1.767	1.766	2.063	0.563	0.688	0.813	99829²⁾
		1.766	2.063	0.563	0.688	0.813	99176
1.769	1.775	1.772	2.087	0.551	0.669	0.812	99830²⁾
		1.772	2.087	0.551	0.669	0.812	99177
1.778	1.784	1.781	2.125	0.667	0.800	1.062	99179
1.809	1.815	1.813	2.090	0.563	0.688	1.000	99831²⁾
		1.813	2.090	0.563	0.688	1.000	99181
1.857	1.863	1.859	2.156	0.563	0.688	1.000	99185
1.866	1.872	1.868	2.188	0.889	1.025	1.000	99186
1.872	1.878	1.875	2.203	0.175	0.295	0.744	99190
		1.875	2.203	0.295	0.415	0.744	99188
		1.875	2.203	0.375	0.516	1.050	99184
		1.875	2.203	0.563	0.688	1.000	99832²⁾
		1.875	2.203	0.563	0.688	1.000	99187

¹⁾ Possible max. distance of the rear groove from the shaft end when the installation tool supplied with the sleeve is used

²⁾ SKF Speedi-Sleeve Gold

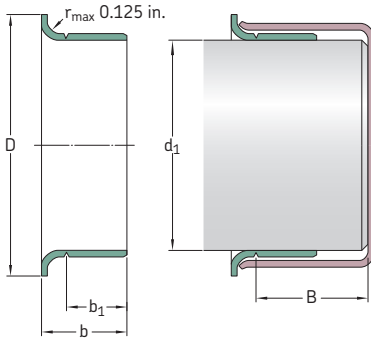
Shaft diameter range		Nominal dimensions					Designation
d ₁ min	max	d ₁	D ±0.063	b ₁ ±0.031	b ±0.031	B ¹⁾	
in.		in.					–
1.887	1.893	1.891	2.205	0.551	0.668	0.984	99189
1.909	1.915	1.912	2.219	0.375	0.500	1.000	99192
1.934	1.940	1.938 1.938	2.219 2.219	0.563 0.563	0.688 0.688	1.000 1.000	99833²⁾ 99193
1.965	1.971	1.969 1.969	2.244 2.244	0.551 0.551	0.668 0.668	1.350 0.984	99052 99196
1.977	1.983	1.980	2.313	0.563	0.704	1.050	99198
1.997	2.003	2.000 2.000 2.000 2.000	2.406 2.406 2.406 2.406	0.563 0.563 0.875 0.875	0.688 0.688 1.000 1.000	1.006 1.000 1.000 1.000	99834²⁾ 99199 99835²⁾ 99200
2.040	2.047	2.047	2.469	0.500	0.625	1.359	99878
2.057	2.063	2.063	2.469	0.781	0.938	1.375	99205
2.123	2.128	2.125	2.422	0.500	0.750	1.281	99210
2.124	2.130	2.125 2.125	2.422 2.422	0.781 0.781	0.938 0.938	1.375 1.375	99836²⁾ 99212
2.162	2.168	2.165 2.165	2.441 2.441	0.787 0.787	0.905 0.905	1.250 1.250	99863²⁾ 99215
2.186	2.192	2.188	2.500	0.781	0.938	1.313	99218
2.198	2.205	2.205 2.205	2.531 2.531	0.500 0.779	0.625 0.936	1.313 3.150	99220 99224
2.227	2.233	2.230 2.230 2.230	2.531 2.531 2.531	0.500 0.500 0.781	0.625 0.625 0.906	1.313 1.313 1.250	99861²⁾ 99229 99230
2.237	2.243	2.240	2.563	0.764	0.900	1.250	99226
2.249	2.255	2.250 2.250 2.250 2.250	2.531 2.531 2.531 2.531	0.313 0.313 0.781 0.781	0.438 0.438 0.938 0.938	1.313 1.313 1.313 1.313	99838²⁾ 99227 99837²⁾ 99225
2.280	2.286	2.283	2.598	0.787	0.938	1.375	99219
2.309	2.315	2.313	2.688	0.781	0.938	1.375	99231
2.327	2.333	2.328	2.750	0.750	0.875	1.500	99233
2.359	2.365	2.362 2.362 2.362	2.785 2.785 2.785	0.370 0.787 0.787	0.450 0.905 0.905	1.471 1.375 1.375	99241 99869²⁾ 99235
2.372	2.378	2.375	2.750	0.594	0.750	1.375	99238
2.374	2.380	2.375 2.375 2.375	2.750 2.750 2.750	0.526 0.781 0.781	0.683 0.938 0.938	1.375 1.375 1.375	99240 99839²⁾ 99237
2.434	2.441	2.438 2.441	2.828 2.828	0.781 0.500	0.938 0.625	1.393 1.425	99243 99244
2.435	2.441	2.438	2.828	0.500	0.625	1.425	99242

¹⁾ Possible max. distance of the rear groove from the shaft end when the installation tool supplied with the sleeve is used

²⁾ SKF Speedi-Sleeve Gold

SKF Speedi-Sleeve – inch dimensions

d_1 2.489 – 3.256 in.



All sleeves listed in the product table can be manufactured as both standard and Gold version.

Shaft diameter range		Nominal dimensions					Designation	
d_1 min	max	d_1	D ± 0.063	b_1 ± 0.031	b ± 0.031	B ¹⁾		
in.		in.						–
2.489	2.495	2.492	2.875	0.781	0.938	1.393	99249	
2.497	2.503	2.500	2.820	0.555	0.650	0.890	99253	
2.500	2.506	2.500	2.828	0.500	0.656	1.393	99248	
		2.500	2.820	0.781	0.938	1.375	99840 ²⁾	
		2.500	2.820	0.781	0.938	1.375	99250	
2.510	2.516	2.516	2.828	0.781	0.906	1.438	99251	
2.556	2.562	2.559	2.850	0.787	0.905	1.375	99841 ²⁾	
		2.559	2.850	0.787	0.905	1.375	99254	
2.560	2.566	2.563	2.891	0.781	0.938	1.375	99256	
2.595	2.601	2.598	2.990	0.781	0.938	1.250	99259	
2.618	2.624	2.621	3.047	0.781	0.938	1.375	99261	
2.621	2.627	2.625	3.047	0.781	0.906	1.375	99264	
2.622	2.628	2.625	3.047	0.500	0.625	1.375	99260	
2.625	2.631	2.625	3.047	0.781	0.938	1.375	99842 ²⁾	
		2.625	3.047	0.781	0.938	1.375	99262	
2.670	2.677	2.677	3.125	0.750	0.875	1.688	99266	
2.727	2.733	2.730	3.125	0.781	0.906	1.313	99268	
2.740	2.746	2.743	3.065	0.781	0.938	1.250	99273	
2.745	2.751	2.750	3.125	0.781	0.938	1.250	99843 ²⁾	
		2.750	3.125	0.781	0.938	1.250	99274	
2.747	2.753	2.750	3.075	1.438	1.625	1.625	99267	

¹⁾ Possible max. distance of the rear groove from the shaft end when the installation tool supplied with the sleeve is used

²⁾ SKF Speedi-Sleeve Gold

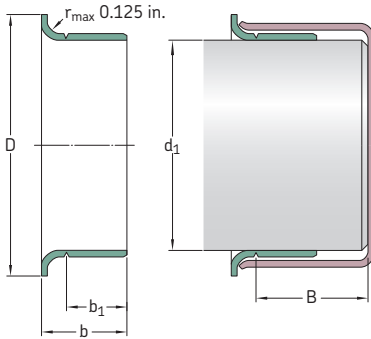
Shaft diameter range		Nominal dimensions					Designation
d ₁ min	max	d ₁	D ±0.063	b ₁ ±0.031	b ±0.031	B ¹⁾	
in.		in.					–
2.750	2.756	2.750	3.125	0.406	0.563	1.250	99272
		2.750	3.125	0.781	0.938	1.250	99844 ²⁾
		2.750	3.125	0.781	0.938	1.250	99275
		2.750	3.125	1.125	1.250	1.312	99269
2.753	2.759	2.756	3.125	0.787	0.945	1.250	99276
2.809	2.815	2.813	3.188	0.594	0.688	1.250	99281
2.828	2.835	2.835	3.225	0.750	0.875	1.343	99870 ²⁾
		2.835	3.225	0.750	0.875	1.343	99284
2.838	2.844	2.838	3.225	0.500	0.656	1.250	99845 ²⁾
		2.838	3.225	0.500	0.656	1.250	99282
2.866	2.872	2.869	3.188	0.781	0.938	1.250	99286
2.873	2.879	2.875	3.219	0.781	0.938	1.250	99846 ²⁾
		2.875	3.219	0.781	0.938	1.250	99287
2.937	2.943	2.938	3.344	0.500	0.641	1.331	99290
		2.938	3.344	0.781	0.938	1.313	99847 ²⁾
		2.940	3.344	0.781	0.938	1.313	99293
2.950	2.956	2.953	3.273	0.594	0.690	1.083	99289
		2.953	3.305	0.866	1.024	1.313	99875 ²⁾
		2.953	3.305	0.866	1.024	1.313	99294
2.972	2.976	2.974	3.235	0.813	1.000	1.250	99292
2.990	2.996	2.993	3.359	0.484	0.625	1.331	99291
		2.993	3.359	0.563	0.688	1.375	99298
		2.993	3.350	0.813	1.000	1.281	99299
2.997	3.003	3.000	3.240	0.813	0.938	1.375	99296
3.000	3.006	3.000	3.345	0.625	0.813	1.280	99048
		3.000	3.235	0.813	1.000	1.281	99848 ²⁾
		3.000	3.235	0.813	1.000	1.281	99300
3.008	3.014	3.011	3.355	0.500	0.625	2.000	99301
3.064	3.071	3.071	3.468	0.750	0.875	2.056	99306
3.120	3.126	3.125	3.531	0.688	0.813	2.000	99311
		3.125	3.531	0.813	1.000	2.000	99849 ²⁾
		3.125	3.531	0.813	1.000	2.000	99312
3.124	3.132	3.125	3.525	0.551	0.709	2.031	99053
3.142	3.150	3.150	3.540	0.750	0.886	1.375	99313
3.146	3.153	3.150	3.543	0.433	0.591	1.375	99317
		3.150	3.543	0.827	0.945	1.375	99315
3.225	3.231	3.228	3.585	0.660	0.848	1.750	99328
3.247	3.253	3.250	3.594	0.813	1.000	1.375	99322
3.250	3.256	3.250	3.575	0.595	0.719	1.375	99850 ²⁾
		3.250	3.575	0.595	0.719	1.375	99324
		3.250	3.585	0.688	0.875	1.250	99326
		3.250	3.585	0.813	1.000	1.375	99851 ²⁾
		3.250	3.585	0.813	1.000	1.375	99325

¹⁾ Possible max. distance of the rear groove from the shaft end when the installation tool supplied with the sleeve is used

²⁾ SKF Speedi-Sleeve Gold

SKF Speedi-Sleeve – inch dimensions

d_1 3.307 – 4.728 in.



All sleeves listed in the product table can be manufactured as both standard and Gold version.

Shaft diameter range		Nominal dimensions					Designation	
d_1 min	max	d_1	D ± 0.063	b_1 ± 0.031	b ± 0.031	$B^1)$		
in.		in.						–
3.307	3.313	3.310	3.688	0.813	1.000	1.375	99331	
3.337	3.347	3.342	3.700	0.669	0.827	1.378	99332	
		3.342	3.700	0.827	0.984	1.378	99872 ²⁾	
		3.342	3.700	0.827	0.984	1.378	99333	
3.338	3.347	3.347	3.580	0.399	0.499	1.431	99334	
3.373	3.379	3.375	3.688	0.375	0.500	1.410	99338	
		3.375	3.695	0.813	1.000	1.375	99337	
3.435	3.441	3.438	3.844	0.781	0.906	1.406	99339	
3.457	3.465	3.465	3.751	1.150	1.349	1.673	99481	
3.477	3.483	3.480	3.835	0.781	0.906	1.406	99340	
3.497	3.503	3.500	3.844	0.625	0.813	1.347	99346	
3.500	3.506	3.500	3.825	0.313	0.500	1.347	99347	
		3.500	3.844	0.813	1.000	1.347	99852 ²⁾	
		3.500	3.844	0.813	1.000	1.347	99350	
3.501	3.507	3.504	3.844	0.625	0.813	1.348	99349	
3.540	3.546	3.543	4.000	0.438	0.538	1.813	99352	
		3.543	4.000	0.526	0.667	1.750	99353	
		3.543	4.000	0.710	0.906	1.813	99351	
		3.543	4.000	0.906	1.102	1.750	99354	
3.560	3.566	3.563	3.900	0.813	1.000	1.750	99356	
3.618	3.624	3.621	4.031	0.813	1.000	1.750	99360	
3.623	3.629	3.625	4.025	0.500	0.625	1.750	99363	
		3.625	4.031	0.813	1.000	1.750	99362	
3.684	3.690	3.688	4.031	0.313	0.438	0.875	99368	

¹⁾ Possible max. distance of the rear groove from the shaft end when the installation tool supplied with the sleeve is used

²⁾ SKF Speedi-Sleeve Gold

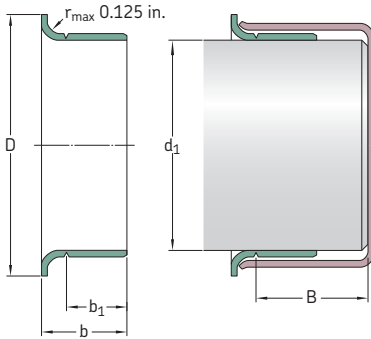
Shaft diameter range		Nominal dimensions					Designation
d ₁ min	max	d ₁	D ±0.063	b ₁ ±0.031	b ±0.031	B ¹⁾	
in.		in.					–
3.685	3.691	3.688	4.025	0.813	0.938	1.800	99365
3.727	3.733	3.730 3.730	4.016 4.025	0.469 0.781	0.594 0.906	1.800 1.800	99359 99366
3.737	3.743	3.740	4.025	0.827	0.945	1.800	99369
3.740	3.746	3.743 3.743	4.031 4.035	0.344 0.469	0.500 0.594	1.800 1.800	99374 99364
3.746	3.752	3.749	4.025	0.563	0.688	1.800	99376
3.750	3.756	3.750 3.753 3.753	4.020 4.025 4.020	0.688 0.344 0.688	0.875 0.500 0.875	1.800 1.800 1.800	99853²⁾ 99367 99372
3.868	3.874	3.871	4.185	0.813	1.000	1.875	99386
3.873	3.879	3.875	4.219	0.813	1.000	1.875	99387
3.935	3.941	3.938 3.938	4.313 4.313	0.813 0.813	1.000 1.000	2.050 2.050	99854²⁾ 99393
3.998	4.006	4.000 4.000 4.000 4.000 4.000	4.375 4.375 4.375 4.375 4.375	0.500 0.600 0.650 0.813 0.813	0.625 0.725 0.775 1.000 1.000	2.066 2.050 1.375 2.050 2.050	99401 99395 99400 99855²⁾ 99399
4.090	4.098	4.094	4.438	0.787	0.945	1.417	99409
4.122	4.130	4.125	4.470	0.813	1.000	1.375	99412
4.130	4.138	4.134	4.470	0.787	0.913	1.378	99413
4.183	4.191	4.188	4.500	0.813	1.000	1.375	99418
4.226	4.234	4.234	4.610	0.781	0.906	1.438	99423
4.248	4.256	4.250	4.610	0.813	1.000	1.438	99424
4.322	4.331	4.331	4.921	0.448	0.589	1.297	99434
4.327	4.335	4.328	4.921	0.509	0.650	1.250	99435
4.370	4.378	4.375	4.750	0.813	1.000	1.650	99437
4.401	4.409	4.409	4.750	0.750	0.886	1.300	99438
4.434	4.442	4.438	4.813	1.000	1.142	1.313	99439
4.496	4.504	4.500 4.500	4.850 4.900	0.813 0.813	1.000 1.000	1.250 1.250	99856²⁾ 99450
4.523	4.531	4.528	5.000	0.813	0.938	1.250	99452
4.621	4.629	4.625 4.625	5.000 5.063	0.438 1.000	0.625 1.250	1.375 1.375	99465 99463
4.685	4.693	4.688	5.063	0.813	1.000	1.375	99468
4.720	4.728	4.724 4.724	5.110 5.110	0.315 0.787	0.433 0.984	1.323 1.260	99471 99473

¹⁾ Possible max. distance of the rear groove from the shaft end when the installation tool supplied with the sleeve is used

²⁾ SKF Speedi-Sleeve Gold

SKF Speedi-Sleeve – inch dimensions

d_1 4.746 – 8.005 in.



All sleeves listed in the product table can be manufactured as both standard and Gold version.

Shaft diameter range		Nominal dimensions					Designation	
d_1 min	max	d_1	D ± 0.063	b_1 ± 0.031	b ± 0.031	$B^{1)}$		
in.		in.						–
4.746	4.754	4.750	5.000	0.500	0.750	1.500	99475	
4.799	4.807	4.803	5.177	0.787	0.945	1.260	99472	
4.839	4.847	4.843	5.229	0.787	0.984	1.244	99484	
4.871	4.879	4.875	5.250	0.625	0.750	1.438	99487	
4.917	4.925	4.921	5.400	0.394	0.551	1.438	99490	
		4.921	5.400	1.024	1.260	1.438	99492	
4.998	5.006	5.000	5.400	0.540	0.681	1.438	99501	
		5.000	5.400	0.688	0.875	1.438	99857 ²⁾	
		5.000	5.400	0.688	0.875	1.438	99498	
		5.000	5.390	0.813	1.000	1.438	99858 ²⁾	
		5.000	5.390	0.813	1.000	1.438	99499	
5.032	5.039	5.039	5.325	1.150	1.349	1.587	99482	
5.110	5.118	5.114	5.493	0.750	0.938	1.181	99494	
5.117	5.125	5.118	5.493	0.866	0.996	1.280	99874 ²⁾	
		5.125	5.493	0.866	0.996	1.280	99491	
5.120	5.128	5.125	5.500	0.813	1.000	1.250	99513	
5.246	5.254	5.250	5.560	0.813	1.000	1.250	99525	
5.307	5.315	5.311	5.735	0.807	1.000	1.250	99533	
5.371	5.379	5.375	5.875	0.813	1.000	1.250	99537	
5.434	5.442	5.438	5.750	1.500	1.688	1.875	99548	
5.472	5.480	5.476	5.900	0.563	0.750	1.234	99547	

¹⁾ Possible max. distance of the rear groove from the shaft end when the installation tool supplied with the sleeve is used

²⁾ SKF Speedi-Sleeve Gold

Shaft diameter range		Nominal dimensions					Designation
d ₁ min	max	d ₁	D ±0.063	b ₁ ±0.031	b ±0.031	B ¹⁾	
in.		in.					–
5.498	5.506	5.500	5.938	0.518	0.705	1.250	99550
		5.500	5.938	0.813	1.000	1.250	99859 ²⁾
		5.500	5.938	0.813	1.000	1.250	99549
5.508	5.516	5.512	5.945	0.807	1.000	1.250	99552
5.621	5.629	5.625	6.188	0.875	1.000	1.812	99560
5.699	5.709	5.709	6.100	0.750	0.875	1.812	99571
5.726	5.734	5.734	6.100	0.563	0.750	1.938	99562
5.746	5.754	5.750	6.180	0.813	1.000	1.750	99575
5.871	5.879	5.875	6.188	1.000	1.250	1.313	99862 ²⁾
		5.875	6.188	1.000	1.250	1.313	99587
5.896	5.906	5.905	6.260	1.024	1.181	1.280	99595
5.934	5.942	5.938	6.375	1.000	1.125	1.875	99596
5.995	6.003	6.000	6.360	0.500	0.750	1.750	99601
		6.000	6.375	1.000	1.250	1.750	99599
6.058	6.068	6.063	6.375	1.024	1.181	1.299	99605
6.092	6.102	6.097	6.575	1.024	1.181	1.299	99606
6.198	6.208	6.203	6.625	0.813	1.063	1.750	99620
6.245	6.255	6.250	6.625	1.031	1.250	1.750	99625
6.289	6.299	6.299	6.750	1.000	1.250	1.375	99630
6.495	6.505	6.500	7.000	1.000	1.250	1.375	99650
6.683	6.693	6.688	7.188	1.250	1.496	1.750	99640
6.745	6.755	6.750	7.125	0.813	1.063	1.750	99675
6.880	6.890	6.890	7.362	1.102	1.260	1.378	99687
6.995	7.005	7.000	7.475	1.000	1.250	1.688	99864 ²⁾
		7.000	7.475	1.000	1.250	1.688	99700
7.077	7.087	7.087	7.500	1.299	1.496	1.752	99721
7.244	7.254	7.250	7.760	1.250	1.500	2.175	99725
7.273	7.283	7.278	7.760	1.260	1.496	2.165	99726
7.444	7.454	7.453	7.860	0.813	1.000	1.250	99745
7.495	7.505	7.500	7.875	0.813	1.000	1.250	99750
7.745	7.755	7.750	8.270	1.000	1.313	1.875	99775
7.869	7.879	7.875	8.375	1.359	1.500	1.750	99787
7.933	7.943	7.938	8.375	1.000	1.250	1.750	99799
7.995	8.005	8.000	8.375	1.000	1.250	1.750	99800

¹⁾ Possible max. distance of the rear groove from the shaft end when the installation tool supplied with the sleeve is used

²⁾ SKF Speedi-Sleeve Gold

Wear sleeves for heavy industrial applications (LDSSLV)

General

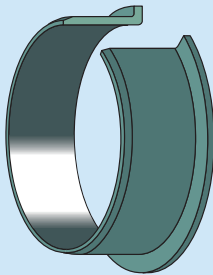
Outside contamination particles and polishing friction between a rotating shaft and a seal can, over time, result in severe shaft damage. Instead of repairing or replacing the damaged shaft, SKF recommends using wear sleeves for heavy industrial applications (LDSSLV) for shaft diameters ranging from 211,15 to 1 143 mm (8.313 to 45 in.). The sleeves are made to order for shaft diameters within the primary ranges listed in **tables 1** and **2**. A selection of sizes is listed in the product tables starting on **page 362**.

LDSSLV3 and LDSSLV4 are recommended for applications where operating conditions for the seals are difficult, particularly where solid contaminants can reach the seals, like in rolling mills, primary metal plants and in chemical and mineral plants.

In applications where seal wear and shaft damage can be expected, SKF recommends installing the sleeves before the machine is operational. By installing them from the outset, it will not be necessary to rework the shaft before installing a replacement sleeve and the original size can be used for the replacement seal.

Table 1

Primary dimension range of LDSSLV3



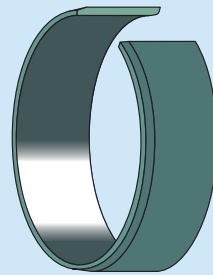
Shaft range		Width ¹⁾	
over	incl.	min	max
mm/in.		mm/in.	
211,15	736,60	17,48	63,50
8.313	29.000	0.688	2.500
736,60	1 143,00	25,40	63,50
29.000	45.000	1.000	2.500

¹⁾ Total width (b), 38,10 to 50,80 mm (1.5 to 2 in.) at 1 143,00 mm (45 in.) shaft diameter

Contact SKF for LDSSLV3 designs outside the primary size range.

Table 2

Primary dimension range of LDSSLV4



Shaft range		Width ¹⁾	
over	incl.	min	max
mm/in.		mm/in.	
211,15	736,60	12,70	63,50
8.313	29.000	0.500	2.500
736,60	1 143,00	19,05	63,50
29.000	45.000	0.750	2.500

¹⁾ Total width (b), 38,10 to 50,80 mm (1.5 to 2 in.) at 1 143,00 mm (45 in.) shaft diameter

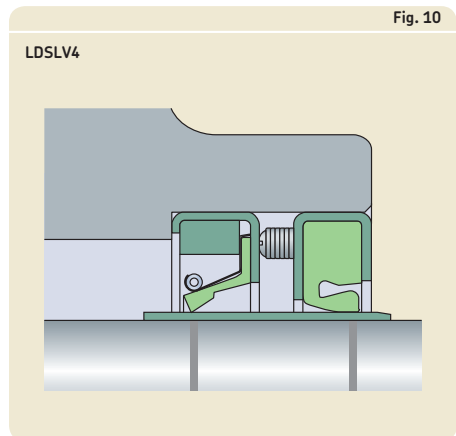
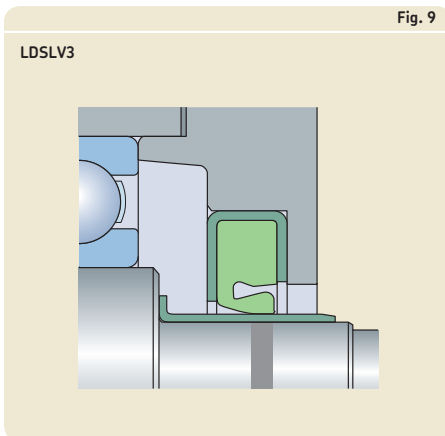
Contact SKF for LDSSLV4 designs outside the primary size range.

Designs and features

SKF wear sleeves for heavy industrial applications are available in two designs: the LDSLV3 with a flange (→ **fig. 9**) and the LDSLV4 without a flange (→ **fig. 10**). Both designs are made of SAE 1008 chromium-plated carbon steel to enhance wear and corrosion resistance. Other sleeve materials can be provided to meet the application's specific demands. The sleeve outside diameter is specially ground to provide a precision counterface surface for the seal. The wall thickness of the standard sleeves is 2,39 mm (0.094 in.).

LDSLV3 is designed with a flange to simplify final positioning of the sleeve. The width of the counterface surface for the seal is 6,35 mm (0.25 in.) narrower than the total width of the sleeve. The flange adds a nominal 25,4 mm (1 in.) over the shaft diameter. The flange height is 12,7 mm (0.5 in.) for all sizes. Note that force should never be applied directly to the flange when installing an LDSLV3.

LDSLV4 has the same features as LDSLV3 but has no flange. LDSLV4 is intended for applications where a flange could interfere with other components during installation, or where a wider seal counterface surface is required.



Wear sleeves

Using LDSLV designs

There are two alternative ways of using SKF wear sleeves for heavy industrial applications (→ fig. 11):

- 1 The sleeve is positioned on the shaft until it covers the damaged part and a new seal, designed for a 4,78 mm (0.188 in.) larger shaft diameter, is used.
- 2 The shaft is machined down by 4,78 mm (0.188 in.) in diameter, the sleeve is installed and the original seal size is used.

The reworked shaft surface for the sleeve should have a surface roughness between $R_a 2,5$ and $3,2 \mu\text{m}$ (100 to 125 $\mu\text{in.}$).

NOTE: The shaft tolerances for LDSLV designs, due to their heated slip-fit installation, are different from those for radial shaft seals. Contact SKF for assistance if the sleeves are to be used in systems with sustained temperatures higher than $75 \text{ }^\circ\text{C}$ (165 $^\circ\text{F}$) and surface speeds in excess of 20 m/s (3 900 ft/min).

Installation

SKF wear sleeves for heavy industrial applications are designed for a heated slip-fit installation and must therefore be uniformly heated prior to installation. The sleeve temperature should be approximately $180 \text{ }^\circ\text{C}$ (355 $^\circ\text{F}$). Under no circumstances should the sleeve be heated to above $200 \text{ }^\circ\text{C}$ (390 $^\circ\text{F}$). Any heating techniques normally used for bearings are suitable, such as induction heaters or heating cabinets.

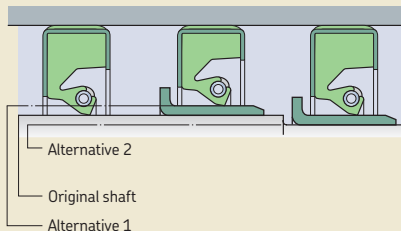
The sleeves should be installed immediately after heating since they cool rapidly and could seize on the shaft before the correct position is achieved. If repositioning is necessary, use a soft faced hammer and a wooden block. After the sleeve is in the desired position, check the lead-in chamfer for any damage during installation.

Removal

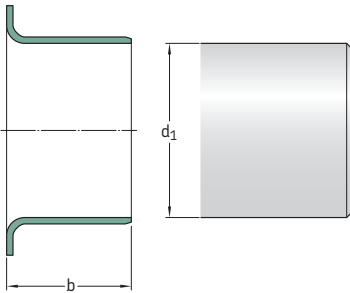
The wear sleeves can be removed either by heating them or expanding them by light hammer blows. Prior to removal, the flange of the LDSLV3 should be cut at one point, taking care not to damage the shaft surface.

Fig. 11

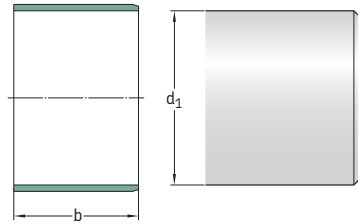
Using LDSLV designs



Wear sleeves for heavy industrial applications – LDSLV3 and LDSLV4 – metric dimensions
 d_1 215,00 – 1 100,23 mm



LDSLV3

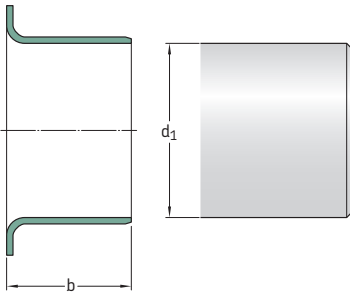


LDSLV4

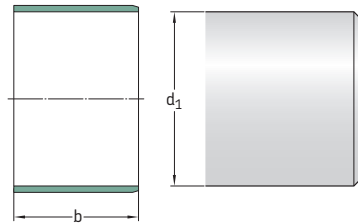
Shaft diameter	Sleeve width	Reference sleeve installed outside diameter	Design	Designation
d_1	b			
mm	mm	mm	–	–
215,00	25,40	220	LDSLV3	90179
215,20	35	220	LDSLV3	87831
220,00	25 40 50,80	225 225 225	LDSLV3 LDSLV3 LDSLV3	90806 87914 87915
235,23	18	240	LDSLV4	90952
240,00	17,50	250	LDSLV3	90156
240,21	44	245	LDSLV4	87911
245,20	63,50	250	LDSLV3	90766
275,00	22	280	LDSLV4	90546
280,00	45	285	LDSLV4	90437
285,22	63,50	290	LDSLV4	90238
295,20	32	300	LDSLV3	90114
315,19	63,50	320	LDSLV4	90155
320,00	63,50	325	LDSLV4	90198
325,22	63,50	330	LDSLV4	90239
335,22	39 50	340 340	LDSLV4 LDSLV4	90777 90792
340,00	18 50 50	340 340 345	LDSLV4 LDSLV4 LDSLV3	87901 90801 90113
355,20	25,40 50	360 360	LDSLV4 LDSLV4	90778 90785
360,00	44	365	LDSLV4	87500

Shaft diameter d_1	Sleeve width b	Reference sleeve installed outside diameter	Design	Designation
mm	mm	mm	–	–
360,22	45	365	LDSL4	90788
365,20	20	370	LDSL4	87531
395,22	63,50	400	LDSL4	87461
405,23	50	410	LDSL4	90042
419,99	63,50	425	LDSL3	97064
435,20	63,50	440	LDSL4	87916
455,00	30	460	LDSL4	90347
455,20	50	460	LDSL4	87504
475,18	20	480	LDSL4	87921
494,44	24	500	LDSL4	90259
495,20	30	500	LDSL4	87503
503,25	24	508	LDSL4	90149
530,00	20	535	LDSL4	87783
535,23	63	540	LDSL4	90802
555,20	63,50	560	LDSL4	90075
575,23	63,50	580	LDSL4	90951
585,22	55	590	LDSL4	90292
595,20	58,20 63,50	600 600	LDSL3 LDSL4	90120 89997
595,22	50	600	LDSL3	90241
645,20	64	650	LDSL4	90004
645,24	63,50	650	LDSL3	87817
665,20	45	670	LDSL4	90799
685,22	63,50	690	LDSL4	90953
714,81	50	720	LDSL4	87820
735,23	63	740	LDSL4	89949
755,19	63,50	760	LDSL3	87981
865,23	63,50	870	LDSL4	90221
875,18	63,50	880	LDSL4	90103
1 015,20	25	1 020	LDSL4	90786
1 049,33	60	1 054	LDSL4	89947
1 100,23	63	1 105	LDSL4	89946

Wear sleeves for heavy industrial applications – LDSLV3 and LDSLV4 – inch dimensions
 d_1 8.313 – 10.441 in.



LDSLV3

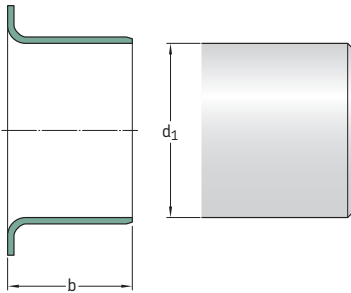


LDSLV4

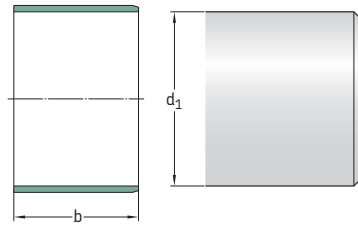
Shaft diameter	Sleeve width	Reference sleeve installed outside diameter	Design	Designation
d_1	b			
in./mm	in./mm	in./mm	–	–
8.313 211,15	1.250 31,75	8.501 215,93	LDSLV4	85885
8.353 212,17	1.500 38,10	8.541 216,94	LDSLV4	86907
8.500 215,90	1.000 25,40	8.688 220,68	LDSLV3	85158
8.625 219,08	2.750 69,85	8.813 223,85	LDSLV3	85643
8.661 220,00	1.000 25,40	8.849 224,76	LDSLV4	87319
8.687 220,65	2.250 57,15	8.875 225,43	LDSLV3	86543
8.750 222,25	1.500 38,10	8.938 227,03	LDSLV3	87196
8.812 223,82	2.000 50,80	9.000 228,60	LDSLV4	86551
8.813 223,85	1.000 25,40	9.001 228,63	LDSLV3	85688
8.866 225,20	2.500 63,50	9.054 229,97	LDSLV4	87166
8.867 225,22	1.000 25,40	9.055 230,00	LDSLV4	87462
8.875 225,43	1.250 31,75	9.063 230,20	LDSLV3	85973
	1.250 31,75	9.063 230,20	LDSLV4	87526
8.938 227,03	2.500 63,50	9.126 231,80	LDSLV4	86546

Shaft diameter d_1	Sleeve width b	Reference sleeve installed outside diameter	Design	Designation
in./mm	in./mm	in./mm	–	–
9.000 228,60	1.000 25,40	9.188 233,38	LDSL43	87555
9.055 230,00	1.000 25,40	9.243 234,77	LDSL43	89943
9.063 230,20	1.500 38,10	9.251 234,98	LDSL44	85931
9.125 231,78	1.000 25,40	9.313 236,55	LDSL44	86547
	1.500 38,10	9.313 236,55	LDSL44	90130
9.250 234,95	0.875 22,23	9.438 239,73	LDSL44	84643
9.260 235,20	1.102 27,99	9.448 239,98	LDSL44	87789
9.313 236,55	1.500 38,10	9.501 241,33	LDSL43	85377
9.449 240,00	1.181 30,00	9.637 244,78	LDSL44	87144
9.500 241,30	2.500 63,50	9.688 246,08	LDSL44	86562
	1.000 25,40	9.688 246,08	LDSL43	86633
9.563 242,90	1.000 25,40	9.751 247,68	LDSL44	85073
	2.000 50,80	9.751 247,68	LDSL44	85397
9.750 247,65	1.438 36,53	9.938 252,43	LDSL44	84965
	2.250 57,15	9.938 252,43	LDSL44	85045
9.813 249,25	1.125 28,58	10.001 254,03	LDSL44	86413
	2.000 50,80	10.001 254,03	LDSL43	84156
9.835 249,81	1.575 40,01	10.023 254,58	LDSL44	90773
10.000 254,00	1.000 25,40	10.188 258,78	LDSL43	90070
10.063 255,60	2.250 57,15	10.251 260,38	LDSL44	86000
10.188 258,78	1.125 28,58	10.376 263,55	LDSL44	84962
10.240 260,00	1.970 50,00	10.424 264,77	LDSL43	87738
10.313 261,95	2.000 50,80	10.501 266,73	LDSL44	85629
	2.250 57,15	10.501 266,73	LDSL43	85191
10.441 265,20	2.165 54,99	10.629 269,98	LDSL44	86798

Wear sleeves for heavy industrial applications – LDSLV3 and LDSLV4 – inch dimensions
 d_1 10.500 – 12.598 in.



LDSLV3

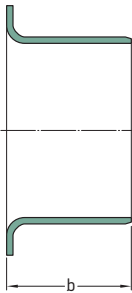


LDSLV4

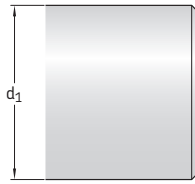
Shaft diameter	Sleeve width	Reference sleeve installed outside diameter	Design	Designation
d_1	b			
in./mm	in./mm	in./mm	–	–
10.500 266,70	2.750 69,85	10.688 271,48	LDSLV4	86013
10.557 268,15	2.250 57,15	10.745 272,92	LDSLV4	85491
10.562 268,27	0.984 24,99	10.750 273,05	LDSLV4	90800
	1.750 44,45	10.750 273,05	LDSLV4	86468
	1.813 46,05	10.750 273,05	LDSLV4	86544
10.563 268,30	1.500 38,10	10.751 273,08	LDSLV4	87768
10.750 273,05	2.500 63,50	10.938 277,83	LDSLV4	86435
10.813 274,65	1.000 25,40	11.001 279,43	LDSLV3	81389
	2.000 50,80	11.001 279,43	LDSLV4	85033
10.846 275,49	0.709 18,01	11.034 280,26	LDSLV4	86601
10.875 276,23	2.000 50,80	11.063 281,00	LDSLV4	84510
11.000 279,40	1.500 38,10	11.188 284,18	LDSLV4	86486
	2.500 63,50	11.188 284,18	LDSLV4	86454
11.024 280,00	1.181 30,00	11.212 284,78	LDSLV4	87142
11.031 280,19	1.260 32,00	11.219 284,96	LDSLV4	87525

Shaft diameter d_1	Sleeve width b	Reference sleeve installed outside diameter	Design	Designation
in./mm	in./mm	in./mm	–	–
11.062 280,97	1.750 44,45	11.250 285,75	LDSL4	85469
11.187 284,15	1.250 31,75	11.375 288,93	LDSL4	86269
11.188 284,18	2.250 57,15	11.376 288,95	LDSL4	85212
11.190 284,23	2.250 57,15	11.378 289,00	LDSL4	87566
11.313 287,35	1.500 38,10	11.501 292,13	LDSL4	84094
11.375 288,93	2.250 57,15	11.563 293,70	LDSL4	86145
11.417 290,00	1.750 44,45	11.605 294,77	LDSL4	86441
11.500 292,10	0.750 19,05	11.688 296,88	LDSL4	90761
11.562 293,67	1.000 25,40	11.750 298,45	LDSL4	90333
11.623 295,22	1.417 35,99	11.811 300,00	LDSL3	87875
11.750 298,45	2.375 60,33	11.938 303,23	LDSL3	87872
11.812 300,02	1.125 28,58	12.000 304,80	LDSL4	86687
11.813 300,05	1.500 38,10	12.001 304,83	LDSL4	85979
	2.250 57,15	12.001 304,83	LDSL3	84819
	2.750 69,85	12.001 304,83	LDSL4	85844
11.969 304,00	0.709 18,00	12.157 308,79	LDSL4	86600
12.000 304,80	2.250 57,15	12.188 309,58	LDSL4	85577
	2.250 57,15	12.188 309,58	LDSL3	87406
12.063 306,40	0.625 15,88	12.251 311,18	LDSL4	85418
	2.500 63,50	12.251 311,18	LDSL3	86404
12.312 312,72	1.500 38,10	12.500 317,50	LDSL4	90174
12.313 312,75	0.750 19,05	12.501 317,53	LDSL4	83760
12.500 317,50	2.125 53,98	12.688 322,28	LDSL3	86169
12.598 320,00	0.984 25,00	12.786 324,76	LDSL3	87434

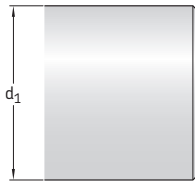
Wear sleeves for heavy industrial applications – LDSLV3 and LDSLV4 – inch dimensions
d₁ 12.750 – 16.813 in.



LDSLV3



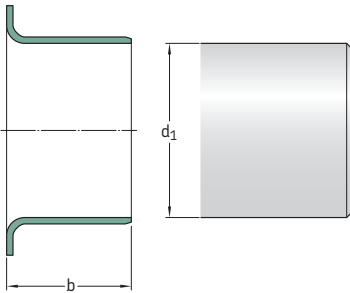
LDSLV4



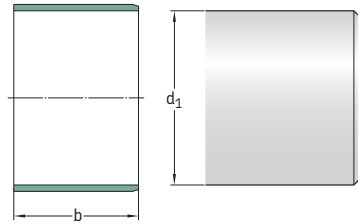
Shaft diameter	Sleeve width	Reference sleeve installed outside diameter	Design	Designation
d ₁	b			
in./mm	in./mm	in./mm	–	–
12.750 323,85	0.688 17,48 1.125 28,58 1.500 38,10	12.938 328,63 12.938 328,63 12.938 328,63	LDSLV4 LDSLV3 LDSLV3	87513 82099 90143
12.813 325,45	1.000 25,40 1.375 34,93 2.000 50,80 2.500 63,50	13.001 330,23 13.001 330,23 13.001 330,23 13.001 330,23	LDSLV4 LDSLV4 LDSLV3 LDSLV4	86258 84263 84390 86722
13.000 330,20	1.750 44,45	13.188 334,98	LDSLV4	85535
13.063 331,80	1.125 28,58	13.251 336,53	LDSLV4	84963
13.313 338,15	0.813 20,65 1.500 38,10 2.000 50,80	13.501 342,93 13.501 342,93 13.501 342,93	LDSLV4 LDSLV4 LDSLV3	86688 87463 85852
13.813 350,85	1.500 38,10 2.000 50,80	14.001 355,63 14.001 355,63	LDSLV3 LDSLV4	81390 85179
14.000 355,60	1.375 34,93 1.500 38,10	14.188 360,38 14.188 360,38	LDSLV3 LDSLV3	89951 81352
14.173 359,99	1.000 25,40	14.361 364,77	LDSLV4	87445

Shaft diameter d_1	Sleeve width b	Reference sleeve installed outside diameter	Design	Designation
in./mm	in./mm	in./mm	–	–
14.313 363,55	1.500 38,10	14.501 368,33	LDSL4	86429
14.438 366,73	2.500 63,50	14.626 371,50	LDSL3	86403
14.500 368,30	1.000 25,40	14.688 373,08	LDSL4	85914
14.813 376,25	1.500 38,10	15.001 381,03	LDSL4	87723
	2.125 53,98	15.001 381,03	LDSL3	81391
15.000 381,00	1.000 25,40	15.188 385,78	LDSL4	87247
15.062 382,57	0.750 19,05	15.250 387,35	LDSL4	90272
15.066 382,68	1.000 25,40	15.254 387,45	LDSL3	87871
15.188 385,78	2.500 63,50	15.376 390,55	LDSL4	87569
15.250 387,35	0.750 19,05	15.438 392,13	LDSL3	84964
15.560 395,22	0.906 23,01	15.748 400,00	LDSL4	85582
15.812 401,62	2.500 63,50	16.000 406,40	LDSL3	87634
15.813 401,65	2.000 50,80	16.001 406,43	LDSL4	85181
	2.000 50,80	16.001 406,43	LDSL3	87446
	2.500 63,50	16.001 406,43	LDSL4	86407
15.998 406,35	2.250 57,15	16.186 411,12	LDSL3	85908
16.000 406,40	2.000 50,80	16.188 411,18	LDSL3	81354
16.063 408,00	0.500 12,70	16.251 412,78	LDSL4	87613
	1.250 31,75	16.251 412,78	LDSL4	86175
	1.300 33,02	16.251 412,78	LDSL4	86426
	2.000 50,80	16.251 412,78	LDSL4	86575
	2.000 50,80	16.251 412,78	LDSL4	86575
16.313 414,35	2.000 50,80	16.501 419,13	LDSL4	84697
16.750 425,45	1.500 38,10	16.938 430,23	LDSL4	87585
16.812 427,02	1.000 25,40	17.000 431,80	LDSL4	86737
16.813 427,05	2.250 57,15	17.001 431,83	LDSL4	84616

Wear sleeves for heavy industrial applications – LDSLV3 and LDSLV4 – inch dimensions
d₁ 17.250 – 25.000 in.



LDSLV3

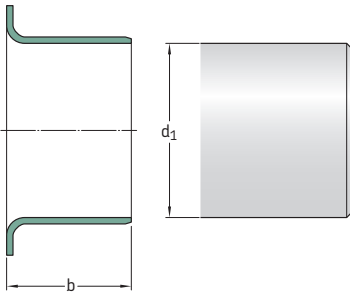


LDSLV4

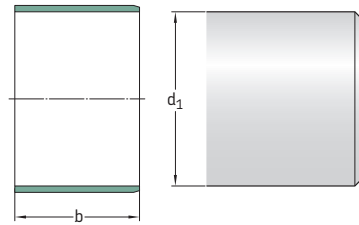
Shaft diameter	Sleeve width	Reference sleeve installed outside diameter	Design	Designation
d ₁	b			
in./mm	in./mm	in./mm	–	–
17.250 438,15	1.000 25,40	17.438 442,93	LDSLV4	90779
	2.000 50,80	17.438 442,93	LDSLV4	84576
17.313 439,75	1.500 38,10	17.501 444,53	LDSLV4	86430
17.449 443,20	2.000 50,80	17.637 447,98	LDSLV4	85762
17.500 444,50	1.250 31,75	17.688 449,28	LDSLV4	90770
17.543 445,59	2.362 59,99	17.731 450,37	LDSLV4	86799
17.750 450,85	1.250 31,75	17.938 455,63	LDSLV4	90774
	2.500 63,50	17.938 455,63	LDSLV3	86631
17.812 452,42	2.125 53,98	18.000 457,20	LDSLV4	87271
17.813 452,45	2.500 63,50	18.001 457,23	LDSLV3	86405
18.163 461,34	2.000 50,80	18.351 466,12	LDSLV4	86343
18.312 465,12	1.191 30,25	18.500 469,90	LDSLV4	90790
18.813 477,85	1.750 44,45	19.001 482,63	LDSLV4	86563
	2.250 57,15	19.001 482,63	LDSLV4	87015
	2.500 63,50	19.001 482,63	LDSLV4	86716

Shaft diameter d_1	Sleeve width b	Reference sleeve installed outside diameter	Design	Designation
in./mm	in./mm	in./mm	–	–
19.496 495,20	2.362 59,99	19.684 499,97	LDSL4	87631
19.497 495,22	1.575 40,01	19.685 500,00	LDSL4	87785
19.500 495,30	1.250 31,75	19.688 500,08	LDSL4	90769
19.563 496,90	2.750 69,85	19.751 501,68	LDSL4	85654
19.813 503,25	1.250 31,75	20.001 508,03	LDSL4	84781
20.312 515,92	1.000 25,40	20.500 520,70	LDSL4	86739
20.813 528,65	1.250 31,75	21.001 533,43	LDSL3	85800
	2.125 53,98	21.001 533,43	LDSL4	85367
	2.500 63,50	21.001 533,43	LDSL4	87298
20.865 529,97	2.250 57,15	21.053 534,75	LDSL4	90805
20.990 533,15	2.250 57,15	21.178 537,92	LDSL3	84579
21.000 533,40	2.250 57,15	21.188 538,18	LDSL4	87090
21.803 553,80	2.362 59,99	21.991 558,57	LDSL4	87069
21.813 554,05	2.250 57,15	22.001 558,83	LDSL4	84590
22.250 565,15	1.000 25,40	22.438 569,93	LDSL3	85691
22.303 566,50	2.362 59,99	22.491 571,27	LDSL4	87070
22.313 566,75	1.250 31,75	22.501 571,53	LDSL4	85907
22.812 579,42	2.000 50,80	23.000 584,20	LDSL4	90163
23.000 584,20	2.000 50,80	23.188 588,98	LDSL4	90146
23.434 595,22	0.984 24,99	23.622 600,00	LDSL4	87777
23.687 601,65	1.950 49,53	23.875 606,43	LDSL4	87907
23.812 604,82	0.750 19,05	24.000 609,60	LDSL4	87922
	2.500 63,50	24.000 609,60	LDSL4	87960
25.000 635,00	2.500 63,50	25.188 639,78	LDSL4	86567

Wear sleeves for heavy industrial applications – LDSLV3 and LDSLV4 – inch dimensions
d₁ 25.312 – 42.500 in.



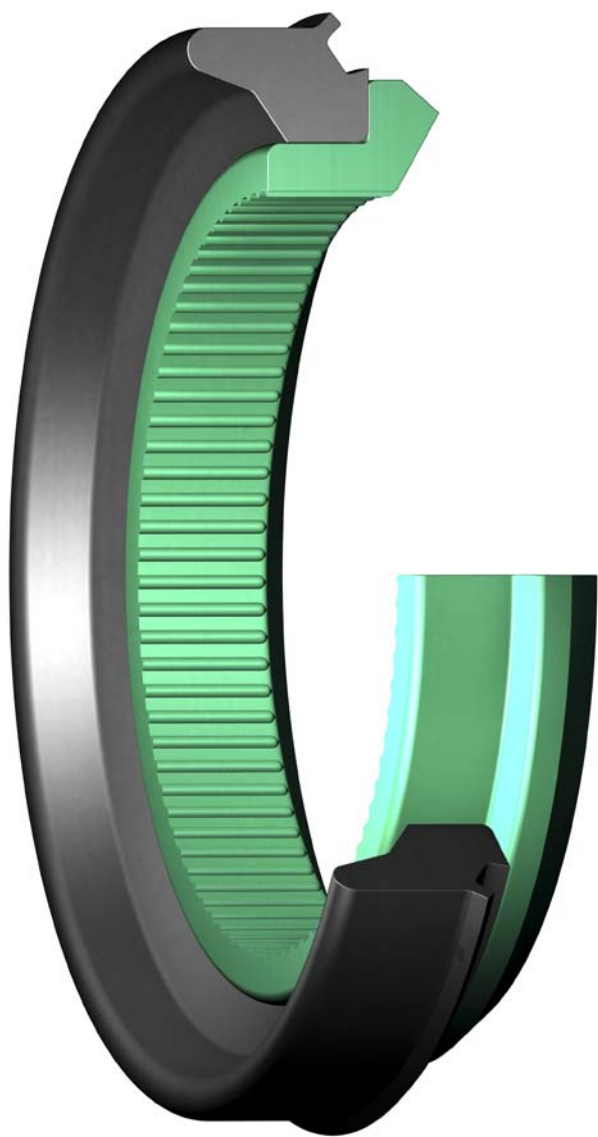
LDSLV3



LDSLV4

Shaft diameter	Sleeve width	Reference sleeve installed outside diameter	Design	Designation
d ₁	b			
in./mm	in./mm	in./mm	–	–
25.312 642,92	2.000 50,80	25.500 647,70	LDSLV4	86091
25.313 642,95	2.500 63,50	25.501 647,73	LDSLV4	87802
26.000 660,40	2.250 57,15	26.188 665,18	LDSLV3	86640
26.312 668,32	1.375 34,93	26.500 673,10	LDSLV4	90809
26.813 681,05	1.250 31,75	27.001 685,83	LDSLV4	85384
	2.250 57,15	27.001 685,83	LDSLV4	85531
27.000 685,80	2.000 50,80	27.188 690,58	LDSLV4	86841
27.063 687,40	2.250 57,15	27.251 692,18	LDSLV4	84764
27.313 693,75	2.250 57,15	27.501 698,53	LDSLV4	91331
27.500 698,50	2.250 57,15	27.688 703,28	LDSLV4	84711
27.812 706,42	2.500 63,50	28.000 711,20	LDSLV4	87421
28.312 719,12	2.313 58,75	28.500 723,90	LDSLV3	87623
28.813 731,85	2.250 57,15	29.001 736,63	LDSLV4	84641
29.813 757,25	2.250 57,15	30.001 762,03	LDSLV4	84642

Shaft diameter d_1	Sleeve width b	Reference sleeve installed outside diameter	Design	Designation
in./mm	in./mm	in./mm	–	–
30.000 762,00	2.500 63,50	30.188 766,78	LDSL43	86641
30.309 769,85	1.375 34,93	30.497 774,62	LDSL44	87530
30.312 769,92	2.500 63,50	30.500 774,70	LDSL43	87842
30.813 782,65	2.000 50,80	31.001 787,43	LDSL44	85039
31.812 808,02	2.500 63,50	32.000 812,80	LDSL44	90810
32.313 820,75	2.000 50,80	32.501 825,53	LDSL44	86090
32.812 833,42	2.220 56,39	33.000 838,20	LDSL44	87850
33.313 846,15	2.625 66,68	33.501 850,93	LDSL44	84730
34.312 871,52	1.750 44,45	34.500 876,30	LDSL44	87529
35.313 896,95	2.500 63,50	35.501 901,73	LDSL44	85814
35.812 909,62	1.500 38,10	36.000 914,40	LDSL44	90332
36.375 923,93	2.500 63,50	36.563 928,70	LDSL44	86111
36.813 935,05	2.500 63,50	37.001 939,83	LDSL44	86458
37.813 960,45	1.500 38,10	38.001 965,23	LDSL44	86973
38.000 965,20	1.500 38,10	38.188 969,98	LDSL44	86840
38.500 977,90	1.500 38,10	38.688 982,68	LDSL44	81753
38.813 985,85	2.125 53,98	39.001 990,63	LDSL44	85123
39.813 1011,25	2.125 53,98	40.001 1016,03	LDSL44	81826
41.312 1049,32	1.968 49,99	41.500 1054,10	LDSL44	89948
42.063 1068,40	2.125 53,98	42.251 1073,18	LDSL44	85038
42.125 1069,98	2.125 53,98	42.313 1074,75	LDSL44	87054
42.312 1074,72	1.250 31,75	42.500 1079,50	LDSL44	87379
42.500 1079,50	1.250 31,75	42.688 1084,28	LDSL44	87392



Track pin seals

General	374
Features and benefits	374
5.1 Product table: TP and TPM	376

Track pin seals

General

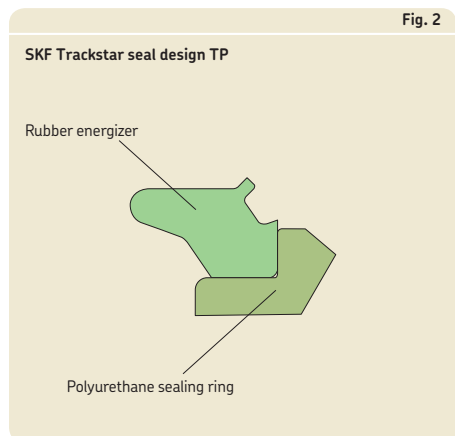
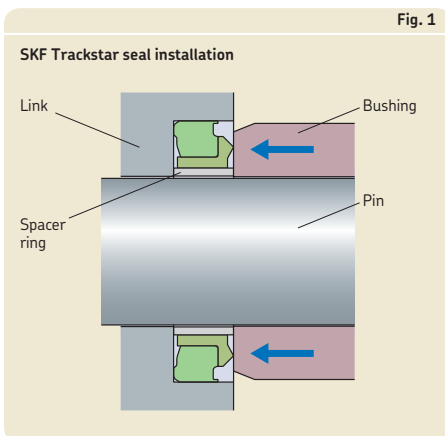
The SKF track pin seals, SKF Trackstar, are specifically designed for oil lubricated track chains in off-highway applications. The seals are installed on the pin that connects a pair of links in the chain (→ **fig. 1**).

Features and benefits

The basic SKF Trackstar seal design features a polyurethane sealing ring and a nitrile rubber energizer (→ **fig. 2**). The sealing ring retains the oil between the pin and the bushing and excludes contaminants. The energizer provides the static sealing ability. Ribs on the seal inside diameter enable oil to pass to provide the necessary lubrication.

There is also a heavy-duty version designed with a metal reinforcement ring moulded into the polyurethane sealing ring, providing additional rigidity for severe operating conditions (→ **fig. 3**).

Both SKF Trackstar designs are installed on a spacer ring provided by the undercarriage manufacturer. The function of the spacer ring is to ensure that the required space for the seal exists when squeezed between the link and the bushing. The spacer is designed with oil galleys that enable oil to pass for optimal lubrication of the main sealing lip.



SKF Trackstar seals provide several important benefits including:

- extended service life of the undercarriage
- reduced internal bushing and pin wear
- easy installation
- interchangeability with the most commonly used sealed and lubricated track pin seals

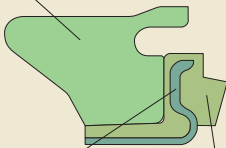
Fig. 3

SKF Trackstar seal design TPM

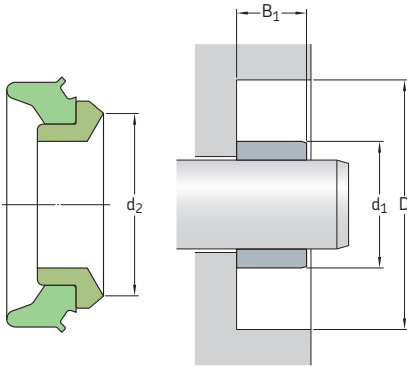
Rubber energizer

Metal reinforcement ring

Polyurethane sealing ring

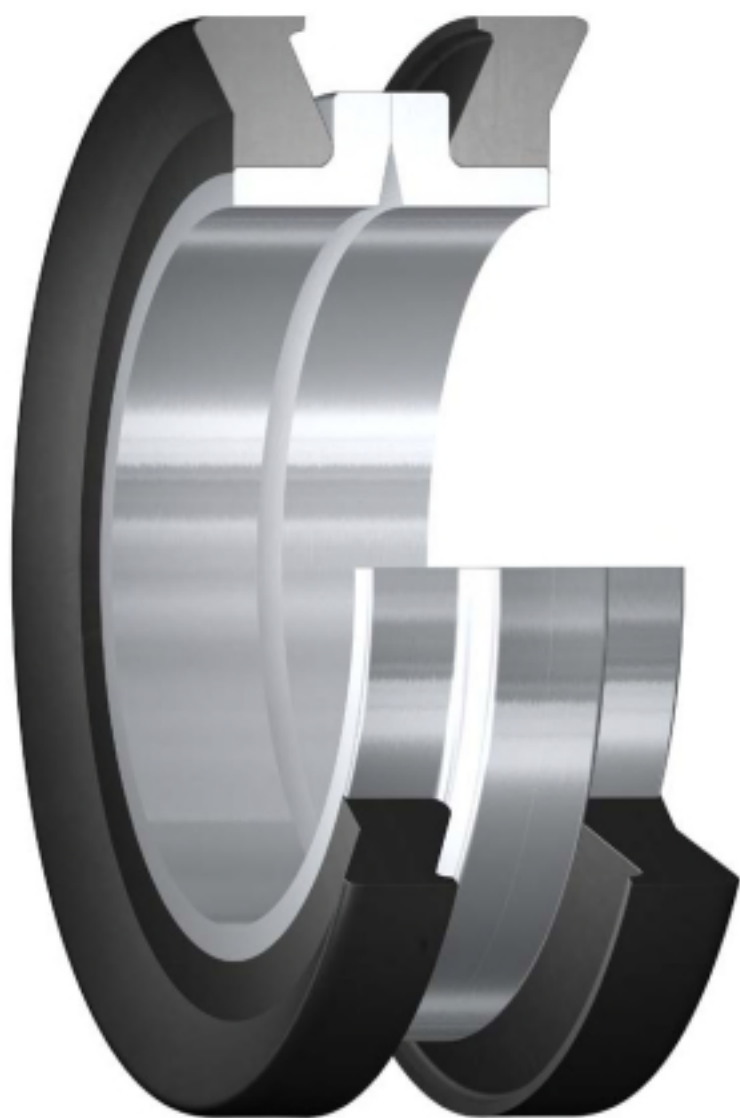


SKF Trackstar seals –TP and TPM – metric dimensions
d₁ 33,22 – 80,72 mm



Dimensions Spacer ring outside diameter d ₁ max	Bore diameter, nominal D		Operating width B ₁		Lip diameter d ₂ max	Designation
mm/in.						–
33,22 1.308	47,88 1.885	± 0,25 ± 0.010	8,38 0.330	± 0,25 ± 0.010	40,01 1.575	33.2×47.3×11.8 TP
36,47 1.436	51,99 2.047	± 0,25 ± 0.010	8,31 0.327	± 0,25 ± 0.010	44,45 1.750	36.5×51.4×11.7 TP
38,05 1.498	55,04 2.167	± 0,25 ± 0.010	9,60 0.378	± 0,25 ± 0.010	46,99 1.850	38.1×54.4×12.8 TP
41,86 1.648	59,77 2.353	± 0,25 ± 0.010	9,25 0.364	± 0,25 ± 0.010	50,04 1.970	42.0×59.1×12.8 TP
42,52 1.674	59,79 2.354	± 0,03 ± 0.001	10,69 0.421	± 0,25 ± 0.010	51,05 2.010	43.1×59.4×14.3 TPM
44,60 1.756	63,04 2.482	± 0,25 ± 0.010	10,69 0.421	± 0,25 ± 0.010	53,70 2.114	44.7×62.7×14.2 TP
46,20 1.819	64,64 2.545	± 0,15 ± 0.006	10,80 0.425	± 0,25 ± 0.010	56,41 2.221	46.1×64.1×14.1 TP
45,69 1.799	62,99 2.480	± 0,03 ± 0.001	10,69 0.421	± 0,25 ± 0.010	54,71 2.154	46.3×62.3×14.3 TPM
50,29 1.980	67,59 2.661	± 0,25 ± 0.010	10,80 0.425	± 0,25 ± 0.010	58,42 2.300	50.3×67.0×14.7 TP
52,60 2.071	70,79 2.787	± 0,25 ± 0.010	10,80 0.425	± 0,25 ± 0.010	61,34 2.415	52.7×70.5×14.2 TP
52,43 2.064	70,10 2.760	± 0,03 ± 0.001	10,80 0.425	± 0,25 ± 0.010	61,11 2.406	53.0×69.3×14.2 TPM
54,99 2.165	72,75 2.864	± 0,25 ± 0.010	10,80 0.425	± 0,25 ± 0.010	64,19 2.527	54.9×72.4×14.8 TP
58,19 2.291	75,54 2.974	± 0,25 ± 0.010	10,67 0.420	± 0,25 ± 0.010	67,03 2.639	58.1×75.0×14.7 TP
58,90 2.319	77,65 3.057	± 0,25 ± 0.010	11,10 0.437	± 0,25 ± 0.010	67,59 2.661	58.8×77.1×15.2 TP

Dimensions Spacer ring outside diameter d_1 max	Bore diameter, nominal D	Operating width B_1	Lip diameter d_2 max	Designation
mm/in.				–
61,09 2.405	82,55 ± 0,13 3.250 ± 0.005	11,10 ± 0,25 0.437 ± 0.010	70,00 2.756	61.1×82.0×16.0 TP
63,14 2.486	83,74 ± 0,25 3.297 ± 0.010	15,49 ± 0,25 0.610 ± 0.010	73,66 2.900	63.2×83.1×19.3 TP
63,60 2.504	83,49 ± 0,25 3.287 ± 0.010	11,13 ± 0,25 0.438 ± 0.010	74,22 2.922	63.6×82.5×15.0 TP
67,21 2.646	87,25 ± 0,25 3.435 ± 0.010	11,13 ± 0,25 0.438 ± 0.010	77,14 3.037	67.1×86.7×15.4 TP
76,71 3.020	99,80 ± 0,13 3.929 ± 0.005	11,10 ± 0,25 0.437 ± 0.010	89,08 3.507	76.7×99.3×15.1 TP
80,72 3.178	106,20 ± 0,13 4.181 ± 0.005	11,10 ± 0,25 0.437 ± 0.010	92,53 3.643	80.8×105.8×15.9 TP



Metal face seals

General	380
Design features	380
Lubricant requirements	381
Permissible operating conditions	382
Contaminants	382
Installing HDDF seals	382
General	382
Housing and seal preparation	382
Installation procedure	383
6.1 Product table: HDDF	384

Metal face seals

General

SKF metal face seals type HDDF (→ **fig. 1**) are designed for use under severe service conditions at relatively low circumferential speeds. They offer reliable protection against solid and liquid contaminants as well as leak-proof retention of lubricants. The seals were originally developed for off-road and tracked vehicles, but have been found to be equally suitable for a range of other applications where effective protection is required against sand, soil, mud, water etc. (→ **fig. 2**). These applications include:

- all types of mixers
- sand treatment equipment
- conveyors and other construction equipment
- agricultural machinery
- washing equipment
- grinding mills and other pulverizing equipment
- ore dressing equipment
- mining equipment

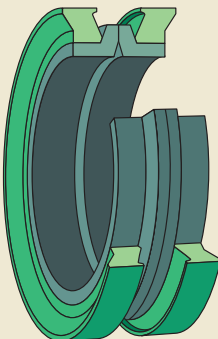
Design features

HDDF seals consist of two identical metal sealing rings and two similar Belleville washers (cup springs) made of nitrile or fluoro rubber compounds, specifically developed for these seals (→ **fig. 3** on **page 383**). The sealing rings are made of wear- and corrosion-resistant cast alloy and have finely finished sliding and sealing surfaces.

The Belleville washers of nitrile or fluoro rubber provide the necessary uniform face loading and effective sealing at the bore and outside diameters. The outside diameter of the washers adapts to the form of the bore in which they are installed. It is critical that the bore diameter and bore depth are in accordance with the dimensions listed in the product table on **pages 384 to 387**. Adequate tolerances between the seal assembly and its mating component are critical to ensure a proper sealing performance.

Fig. 1

HDDF seal



Lubricant requirements

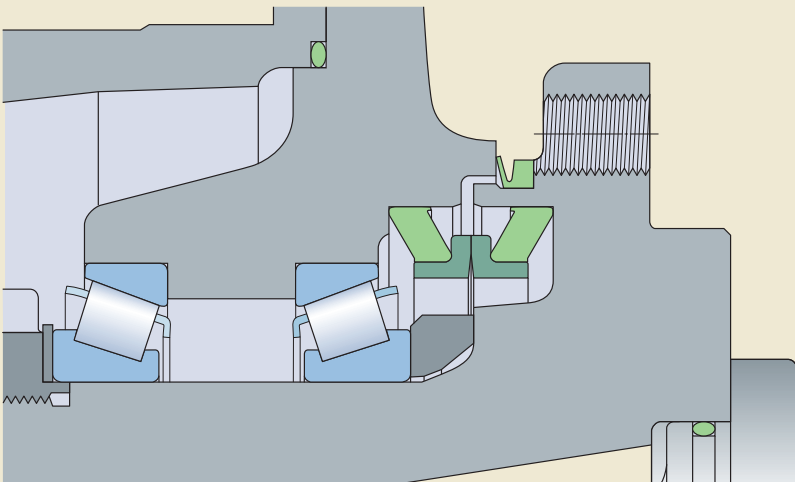
A lubricant should be applied on the dynamic sealing surfaces of a metal face seal to prevent scoring and cover at least 30% of the sealing surface to properly lubricate and cool the sealing rings. The lubricant can be either a detergent like SAE 10W-40 or a mineral based oil ranging from 10 WT to 90 WT, depending on the ambient temperature. It should be noted that some oils contain additives that make them incompatible with elastomers, which can cause degradation of the Belleville washers, especially when exposed to elevated temperatures.

Although mineral oils are always the recommended lubricant, a grease lubricant can also be used in some slowly rotating or oscillating applications, where the seal face surface speed does not exceed 0,5 m/s (100 ft/min). At higher speeds, an oil lubricant is required, not only to provide lubrication to the sealing faces, but also to cool the sealing rings.

Fig. 2

6

HDDF application



Permissible operating conditions

Depending on their design, metal face seals can withstand different amounts of internal pressure. It should, however, generally be maintained below 0,25 MPa (35 psi). Other recommendations regarding operating conditions for the metal face seals, like temperature and speed, are provided in **table 1**.

The chemical resistance of the nitrile and fluoro rubber in general is dealt with in the section *Chemical resistance* on **page 35**.

Contaminants

Metal face seals are often used in heavily contaminated environments, where mud packing in the cavity between the housing, sealing rings and Belleville washers can occur. Eventually, the mud packing can cause the Belleville washers to be pushed out of position, resulting in improper face loads or mud being pumped past the Belleville washers.

Contaminants can also cause abrasion to the Belleville washers, which in turn causes deterioration of the elastomer. To minimize the risk of seal failure due to this deterioration, it is critical to select a proper Belleville washer material for the application in question.

Installing HDDF seals

General

Careful handling and installation of a metal face seal is critical to avoid cutting or tearing of the elastomeric Belleville washers or breaking the metal sealing rings, both which can cause premature seal failure and immediate leakage. It is also vital to keep the sealing faces free from contaminants like dirt or lint. Always carefully observe installation instructions provided on **page 383**.

Housing and seal preparation

All housing components contacting the Belleville washers must be free from contaminants (oil, grease, dust, lint particles etc.) when installing the seal. SKF recommends using a non-petroleum based solvent and a clean, lint-free wipe to clean these components prior to installation.

All seal parts must be handled with care to avoid damage or scoring.

Table 1

Permissible operating conditions		
Operating condition	Recommended value	
Temperature, max		
Continuous operation		
Nitrile rubber (NBR)	-25 to +100 °C	(-15 to +210 °F)
Fluoro rubber (FKM)	-10 to +190 °C	(15 to 375 °F)
Circumferential speed, max		
Continuous operation	1,8 m/s	(350 ft/min)
Brief periods	3,8 m/s	(750 ft/min)
Pressure, max		
Continuous operation	0,25 MPa	(35 psi)
Brief periods	0,35 MPa	(50 psi)

Installation procedure

- 1 Install the Belleville washers seated against the inside shoulder of the metal sealing rings (→ **fig. 4a**).
- 2 Carefully push each seal half (Belleville washer and metal sealing ring) into the housing until it is fully seated. Check that the seal is not cocked and that the washers are seated evenly at the bottom of the housing bore. Improper seal installation can result in uneven face loads around the circumference of the seal faces, causing scoring or the sealing rings to separate and allow oil to leak.
- 3 Clean both metal sealing ring faces with a lint-free wipe and apply a thin film of oil. Ensure that no oil is applied to any surface but the sealing ring faces (→ **fig. 4b**).
- 4 Check that both housings are concentric and in correct alignment. The Belleville washers must not unseat from the bottom of the housing.
- 5 Carefully bring the two housings together, avoiding high impact that can scratch or break the seal components.
- 6 Finally, hold one half of the assembly stationary while rotating the other half at least ten complete revolutions.

NOTE: This procedure enables the installer to check that the housing and the Belleville washers are aligned. If the seal assembly wobbles, it is necessary to disassemble it and make sure that the Belleville washers are properly seated in the housing.

Fig. 3

Design features

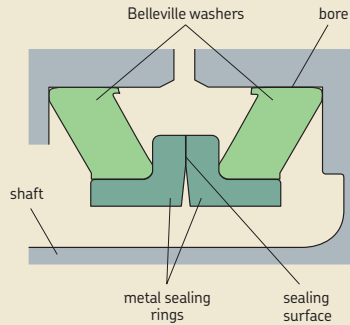
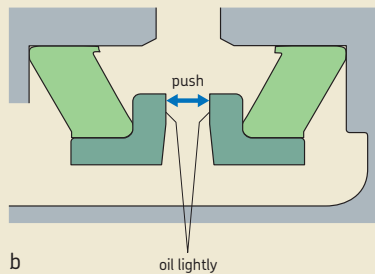
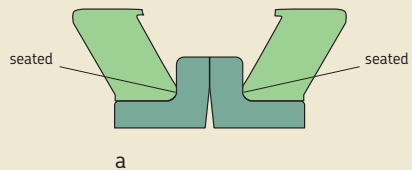


Fig. 4

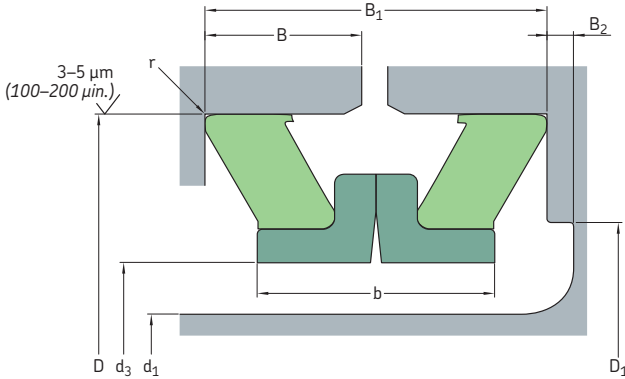
Installation procedure



Metal face seals – HDDF – inch and metric dimensions

d_1 1.688 – 7.800 in.

d_1 42,88 – 198,12 mm



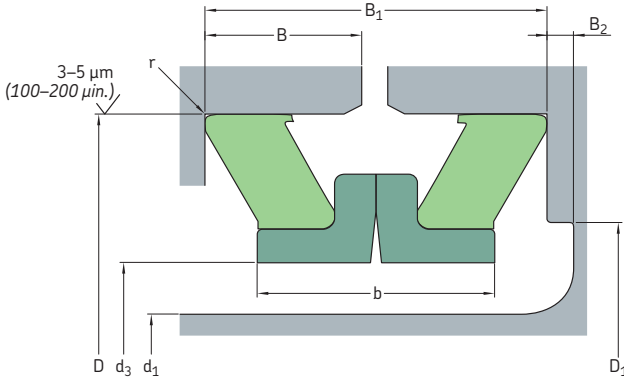
Designation	Lip material	Inch dimensions		Operating width B_1	Seal inside diameter d_3 min	Bore depth B	Recommended shoulder diameter D_1		Under-cut B_2 min	Sealing ring width b max	Radius r max	
		Shaft diameter d_1 max	Bore diameter D				max	min				
–	–	in.										
16904	R	1.688	2.760 ±0.002	0.974 ±0.038	1.760	0.453	2.282	–	–	0.846	0.037	
18259	R	1.812	3.003 ±0.002	0.892 ±0.031	1.910	0.416	2.475	–	–	0.790	0.042	
21215	R	2.125	3.250 ±0.002	0.900 ±0.033	2.215	0.418	2.759	–	–	0.812	0.045	
25096	R	2.500	3.762 ±0.002	0.907 ±0.033	2.580	0.422	3.188	–	–	0.840	0.042	
27536	R	2.750	4.030 ±0.002	0.918 ±0.035	2.830	0.426	3.480	–	–	0.810	0.042	
30651	R	3.063	4.500 ±0.002	1.016 ±0.035	3.170	0.475	3.833	–	–	0.912	0.042	
35076	R	3.500	4.953 ±0.002	1.096 ±0.043	3.620	0.511	4.296	–	–	0.962	0.035	
38740	R	3.875	5.312 ±0.003	1.102 ±0.024	4.040	0.524	4.750	–	–	1.002	0.042	
38751	R	3.875	5.562 ±0.003	1.267 ±0.050	4.040	0.594	4.791	–	–	1.110	0.051	
43135	R	4.312	5.823 ±0.003	1.102 ±0.024	4.420	0.524	5.125	–	–	1.002	0.042	
43150	R	4.312	6.000 ±0.003	1.320 ±0.040	4.420	0.625	5.173	–	–	1.090	0.051	
46975	R	4.688	6.400 ±0.003	1.525 ±0.050	4.795	0.722	5.583	–	–	1.254	0.047	
50655	R	5.062	6.750 ±0.003	1.280 ±0.040	5.170	0.605	5.975	–	–	1.150	0.057	
54000	R	5.400	6.990 ±0.003	1.310 ±0.030	5.625	0.625	6.625	–	–	1.182	0.057	
56170	R	5.625	7.250 ±0.003	1.366 ±0.031	5.825	0.650	6.486	6.174	0.032	1.300	0.057	
58775	R	5.875	7.641 ±0.003	1.510 ±0.031	6.000	0.724	6.868	6.548	0.056	1.490	0.073	
63796	R	6.375	8.120 ±0.003	1.265 ±0.040	6.570	0.598	7.555	7.505	0.125	1.350	0.042	
67560	R	6.750	8.620 ±0.004	1.375 ±0.030	6.920	0.656	7.750	–	–	1.260	0.042	
74310	R	7.438	9.400 ±0.004	1.656 ±0.040	7.540	0.793	8.431	–	–	1.344	0.073	
78020	R	7.800	10.000 ±0.004	1.750 ±0.050	7.940	0.835	8.910	–	–	1.500	0.058	

Designation	Lip material	Metric dimensions		Operating width B ₁	Seal inside diameter d ₃ min	Bore depth B	Recommended shoulder diameter		Undercut B ₂ min	Sealing ring width b max	Radius r max
		Shaft diameter d ₁ max	Bore diameter D				D ₁ max	min			
-	-	mm									
16904	R	42,88	70,10 ±0,06	24,74 ±0,97	44,70	11,51	57,96	-	-	21,49	0,94
18259	R	46,03	76,28 ±0,06	22,66 ±0,79	48,51	10,57	62,87	-	-	20,07	1,07
21215	R	53,98	82,55 ±0,06	22,86 ±0,84	56,26	10,62	70,08	-	-	20,62	1,14
25096	R	63,50	95,56 ±0,06	23,04 ±0,84	65,53	10,72	80,98	-	-	21,34	1,07
27536	R	69,85	102,36 ±0,06	23,32 ±0,89	71,88	10,82	88,39	-	-	20,57	1,07
30651	R	77,80	114,30 ±0,06	25,81 ±0,89	80,52	12,07	97,36	-	-	23,16	1,07
35076	R	88,90	125,81 ±0,06	27,84 ±1,09	91,95	12,98	109,12	-	-	24,43	0,89
38740	R	98,43	134,92 ±0,08	27,99 ±0,61	102,62	13,31	120,65	-	-	25,45	1,07
38751	R	98,43	141,27 ±0,08	32,18 ±1,27	102,62	15,09	121,69	-	-	28,19	1,30
43135	R	109,52	147,90 ±0,08	27,99 ±0,61	112,27	13,31	130,18	-	-	25,45	1,07
43150	R	109,52	152,40 ±0,08	33,53 ±1,02	112,27	15,88	131,39	-	-	27,69	1,30
46975	R	119,08	162,56 ±0,08	38,74 ±1,27	121,79	18,34	141,81	-	-	31,85	1,19
50655	R	128,57	171,45 ±0,08	32,51 ±1,02	131,32	15,37	151,77	-	-	29,21	1,45
54000	R	137,16	177,55 ±0,08	33,27 ±0,76	142,88	15,88	168,28	-	-	30,02	1,45
56170	R	142,88	184,15 ±0,08	34,70 ±0,79	147,96	16,51	164,74	156,82	0,81	33,02	1,45
58775	R	149,23	194,08 ±0,08	38,35 ±0,79	152,40	18,39	174,45	166,32	1,42	37,85	1,85
63796	R	161,93	206,25 ±0,08	32,13 ±1,02	166,88	15,19	191,90	190,63	3,18	34,29	1,07
67560	R	171,45	218,95 ±0,10	34,93 ±0,76	175,77	16,66	196,85	-	-	32,00	1,07
74310	R	188,93	238,76 ±0,10	42,06 ±1,02	191,52	20,14	214,15	-	-	34,14	1,85
78020	R	198,12	254,00 ±0,10	44,45 ±1,27	201,68	21,21	226,31	-	-	38,10	1,47

Metal face seals – HDDF – inch and metric dimensions

d_1 8.250 – 29.000 in.

d_1 209,55 – 736,60 mm



Designation	Lip material	Inch dimensions		Operating width B_1	Seal inside diameter d_3 min	Bore depth B	Recommended shoulder diameter		Under-cut B_2 min	Sealing ring width b max	Radius r max	
		Shaft diameter d_1 max	Bore diameter D				D_1 max	min				
–	–	in.										
82540	R	8.250	10.062 ±0.004	1.560 ±0.040	8.358	0.745	9.280	9.220	0.071	1.562	0.058	
86850	R	8.688	10.911 ±0.005	1.924 ±0.030	8.790	0.932	9.754	–	–	1.642	0.058	
93115	R	9.312	11.000 ±0.005	1.437 ±0.032	9.410	0.687	10.360	10.260	0.090	1.510	0.050	
93125	R	9.312	11.625 ±0.005	1.754 ±0.050	9.410	0.837	10.750	–	–	1.510	0.089	
95620	R	9.562	11.859 ±0.005	1.949 ±0.069	9.660	0.925	10.703	–	–	1.700	0.074	
108710	R	10.875	12.969 ±0.005	1.540 ±0.050	11.060	0.730	12.100	12.000	0.143	1.670	0.043	
116500	R	11.625	13.250 ±0.005	1.290 ±0.030	11.780	0.615	12.780	–	–	1.210	0.045	
124020	R	12.400	14.375 ±0.005	1.656 ±0.050	12.500	0.788	13.530	13.470	0.060	1.610	0.057	
137570	R	13.750	15.817 ±0.005	1.875 ±0.032	13.910	0.906	14.985	–	–	1.670	0.089	
806715	R	14.750	16.695 ±0.005	1.875 ±0.032	14.950	0.906	15.863	–	–	1.670	0.062	
807115	V	14.750	16.695 ±0.005	1.875 ±0.032	14.950	0.906	15.863	–	–	1.670	0.062	
171025	R	17.125	19.240 ±0.006	1.531 ±0.053	17.280	0.724	18.400	18.300	0.140	1.659	0.043	
191022	R	19.125	21.500 ±0.006	1.640 ±0.042	19.250	0.784	20.950	20.850	0.175	1.832	0.057	
238020	R	23.875	26.875 ±0.006	2.125 ±0.040	24.280	1.018	25.550	–	–	1.851	0.089	
807199	V	23.875	26.875 ±0.006	2.125 ±0.040	24.280	1.018	25.550	–	–	1.851	0.089	
807149	V	29.000	32.000 ±0.006	2.125 ±0.040	29.512	1.028	30.672	–	–	1.851	0.089	

Designation	Lip material	Metric dimensions		Operating width B ₁	Seal inside diameter d ₃ min	Bore depth B	Recommended shoulder diameter		Undercut B ₂ min	Sealing ring width b max	Radius r max
		Shaft diameter d ₁ max	Bore diameter D				D ₁ max	min			
-	-	mm									
82540	R	209,55	255,57 ±0,10	39,62 ±1,02	212,29	18,92	235,71	234,19	1,80	39,67	1,47
86850	R	220,68	277,14 ±0,13	48,87 ±0,76	223,27	23,67	247,75	-	-	41,71	1,47
93115	R	236,52	279,40 ±0,13	36,50 ±0,81	239,01	17,45	263,14	260,60	2,29	38,35	1,27
93125	R	236,52	295,28 ±0,13	44,55 ±1,27	239,01	21,26	273,05	-	-	38,35	2,26
95620	R	242,87	301,22 ±0,13	49,50 ±1,75	245,36	23,50	271,86	-	-	43,18	1,88
108710	R	276,23	329,41 ±0,13	39,12 ±1,27	280,92	18,54	307,34	304,80	3,63	42,42	1,09
116500	R	295,28	336,55 ±0,13	32,77 ±0,76	299,21	15,62	324,61	-	-	30,73	1,14
124020	R	314,96	365,13 ±0,13	42,06 ±1,27	317,50	20,02	343,66	342,14	1,52	40,89	1,45
137570	R	349,25	401,75 ±0,13	47,63 ±0,81	353,31	23,01	380,62	-	-	42,42	2,26
806715	R	374,65	424,05 ±0,13	47,63 ±0,81	379,73	23,01	402,92	-	-	42,42	1,58
807115	V	374,65	424,05 ±0,13	47,63 ±0,81	379,73	23,01	402,92	-	-	42,42	1,57
171025	R	434,98	488,70 ±0,15	38,89 ±1,35	438,91	18,39	467,36	464,82	3,56	42,14	1,09
191022	R	485,78	546,10 ±0,15	41,66 ±1,07	488,95	19,91	532,13	529,59	4,45	46,53	1,45
238020	R	606,43	682,63 ±0,15	53,98 ±1,02	616,71	25,86	648,97	-	-	47,02	2,26
807199	V	606,43	682,63 ±0,15	53,98 ±1,02	616,71	25,86	648,97	-	-	47,02	2,26
807149	V	736,60	812,80 ±0,15	53,98 ±1,02	749,60	26,11	779,07	-	-	47,02	2,26



V-ring seals

General	390
Features	390
Materials	391
Standard designs	392
Main V-ring functions	393
Other V-ring functions	394
Sliding velocities	395
Coaxiality and runout	396
Misalignment	396
Counterface	397
Counterface treatment	397
Additional counterface information	397
Product table sorting order	398
Shaft requirements	399
Installing V-rings	399
7.1 Product table: V-ring seals dimensions, globally valid outside North American market	400
7.2 Product table: V-ring seals dimensions, for North American market	432
MVR axial shaft seals	464
General	464
Advantages and user benefits	464
Design and material	464
Temperature range	464
Sizes	464
Installation	465
7.3 Product table: MVR1	466
7.4 Product table: MVR2	468

V-ring seals

General

V-ring seals (or V-rings) are unique all-rubber seals for rotating shafts and are used in an extremely wide range of applications. The V-ring can be used alone to protect a wide assortment of bearing types from contaminants. They are also often used as secondary seals to protect primary seals in highly contaminated environments.

V-rings are installed on shafts and their thin, tapered lip seals against a counterface perpendicular to the shaft (→ **fig. 1a**). V-rings have an interference fit on the shaft, rotate with it and act as flingers (→ **fig. 1b**). Angular misalignment of the shaft relative to the counterface can be tolerated (→ **fig. 1c**). V-rings provide reliable sealing even if the shaft is out-of-round or rotates eccentrically (→ **fig. 1d**). The amount by which the shaft can be displaced axially is governed by the permissible displacement of the V-ring relative to its counterface.

V-rings are made entirely of elastomers without fabric or metal reinforcement and are therefore easy to install. They can be stretched and, depending on size, pushed over other components like flanges, pulleys or even housings. This is a very valuable feature, especially when replacing a seal.

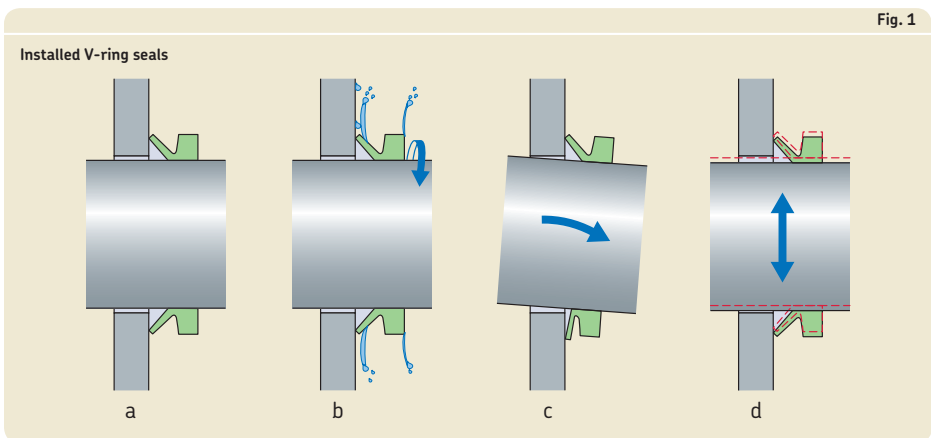
Features

AV-ring consists of a seal body, a flexible, conical-shaped sealing lip and an integral, resilient "hinge" (→ **fig. 2**). It is stretched and installed directly on the shaft, where it is held in place by the inherent tension of the seal body. It rotates with the shaft and seals axially against a stationary counterface.

The counterface can be the end face of a bearing, a washer, stamping, bearing housing, or even the metal case of a radial shaft seal.

The flexible sealing lip applies contact pressure against the counterface that is relatively

Fig. 1



low but sufficient enough to maintain the sealing function. The light contact pressure even enables the seal to run dry in some low-speed applications resulting in insignificant torque drag or heat build-up. The contact pressure varies with the fitted width.

The flexible lip and hinge provide adequate sealing even in applications with considerable end play and shaft misalignment.

As a result of centrifugal force, the contact pressure of the lip decreases as speed increases. This means that friction losses and heat are kept to a minimum, resulting in improved wear resistance and extended service life.

Materials

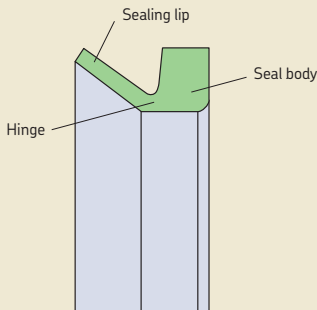
V-rings are normally made of nitrile rubber that features good chemical resistance, resistance to wear and can be used in applications with temperatures ranging from -40 to $+100$ °C (-40 to $+210$ °F). For applications with higher temperatures or where aggressive media are present, V-rings made of fluoro rubber can be supplied. The permissible operating conditions for V-rings made of nitrile or fluoro rubber are listed in **table 2** on **page 395**. In the product table under the heading *Lip code*, the letters R and V are used to identify nitrile rubber and fluoro rubber respectively.

WARNING:

At temperatures above 300 °C (570 °F), all fluoro rubber compounds give off dangerous fumes. For additional information, refer to **page 32**.

Fig. 2

V-ring design



Standard designs

SKF offers five standard V-ring designs:

- VA/VR1, the most common type of V-ring, has a standard cross section and straight back sideface. VA/VR1 is typically used to protect bearing arrangements in gearboxes, electric motors and drives.
- VS/VR2, that has a standard low cross section, tapered back face and wide body, providing a firm hold on the shaft. VS/VR2 is commonly used in agricultural and automotive applications.
- VL/VR3, designed with a very compact axial cross section. VL/VR3 is commonly used in confined spaces to enhance labyrinth seals.
- VE/VR4, designed as secondary seals for heavy-duty applications where the primary seal has to be protected against water and/or solid contaminants. The design has the largest cross section of any V-ring designs and also permits the largest axial displacements. VE/VR4 is available in the diameter range 300 to 2 010 mm (11.811 to 79.134 in.).
- VRME/VR6, a heavy-duty, large diameter V-ring for applications with large axial displacements. VRME/VR6 can be located axially and radially on the shaft using a standard band clamp. VRME/VR6 is primarily designed to protect high-speed bearing arrangements in rolling mills, paper-making and other large machine applications. VRME/VR6 is available on a made-to-order basis.

V-rings from SKF are available for the shaft diameter ranges listed in **table 1**. If the shaft diameter lies in the appropriate range for two V-rings, the larger V-ring, referring to the Seal fitted with, should always be chosen (→ **fig. 9**). In addition, special sizes and designs, including split versions, can be made to order. Contact your SKF sales representative for sizes outside the standard range.

Table 1

Standard V-ring designs and size ranges



Design, globally outside North America Design, North America	VA VR1	VS VR2	VL VR3	VE VR4	VRME VR6
–	mm (in.)				
min	2,7 0.106	4,5 0.177	105 4.134	300 11.811	300 11.811
max	2 020 79.257	210 8.268	2 025 79.724	2 010 79.134	1 995 78.543

Main V-ring functions

V-rings are suitable for both grease and oil lubricated applications. For sealing grease lubricated bearing arrangements and protecting against contaminants, the V-ring should be arranged outside the housing cover or housing wall. Dust, water spray and other contaminants can be excluded in this position (→ **fig. 3**). The V-ring can also act as a grease valve, where used grease or excess new grease can escape between the counterface and the sealing lip (→ **fig. 4**). The installation of two opposing V-rings can be used in applications where lubricant retention and contaminant exclusion are of equal importance (→ **fig. 5**).

If V-rings are used to retain oil, they should always be located axially on the shaft on the lubricant side (→ **fig. 6**).

V-rings should not be submerged in the application medium.

Fig. 3

V-ring used as an excluder

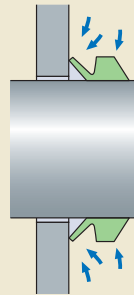


Fig. 4

V-ring used as a grease valve



Fig. 5

Two opposing V-rings

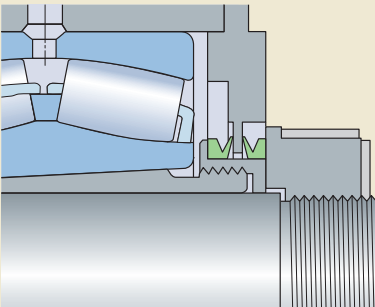
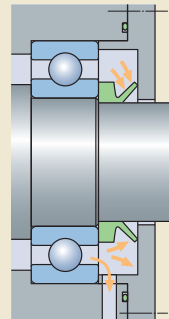


Fig. 6

V-ring located axially



Other V-ring functions

V-rings can also be used as secondary seals (→ **fig. 7**), for example where it is necessary to protect the sealing lip and counterface of the primary seal against contaminants or corrosion and they can be used to enhance the efficiency of labyrinth seals (→ **fig. 8**).

Fig. 7

V-ring used as a secondary seal

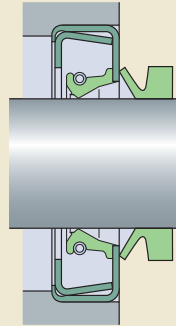
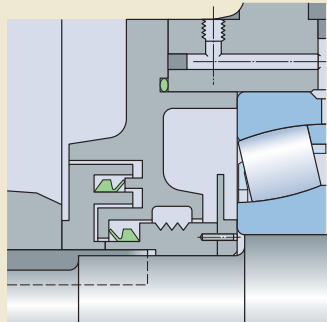


Fig. 8

V-rings in a labyrinth seal



Sliding velocities

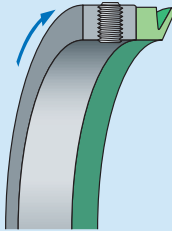
V-rings can operate under the conditions listed in **table 2**. In the speed range 15 to 20 m/s (2 900 to 3 900 ft/min), the sealing lip lifts from the counterface and the V-ring only acts as a gap-type seal.

Table 2

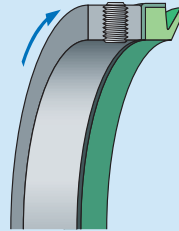
Permissible operating conditions



1
normal



2
located axially¹⁾



3
axial and radial support¹⁾

Operating conditions

Guideline values for V-rings of nitrile rubber

fluoro rubber

Temperature, °C (°F)

-40 to +100 (-40 to +210)

-20 to +150 (-4 to +300)

Circumferential speed, m/s (ft/min)

normal (1)

up to 8 (1 575)

up to 6,5 (1 280)

located axially (2)

8 to 12 (1 575 to 2 360)

6,5 to 10 (1 280 to 1 970)

axial and radial support (3)

>12 (2 360)

>10 (1 970)

Pressure acting on seal, MPa (psi)

static sealing or very low

up to 0,03 (4.35)

up to 0,03 (4.35)

speed operation

¹⁾ Support ring by customer

Coaxiality and runout

The total tolerance for the deviation from coaxiality and runout should not exceed the guideline values provided in **table 3**.

Misalignment

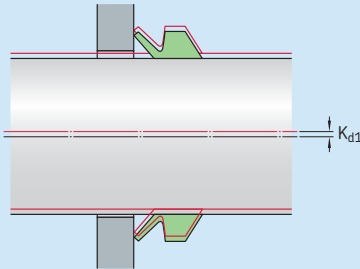
V-rings can tolerate misalignment between the shaft and housing, i.e. deviations from the perpendicularity between the shaft and counterface of the housing. Guideline values for the maximum permissible angular misalignment are provided in **diagram 1**. These values apply to the V-ring designs VA/VR1 and VS/VR2, provided they are supported axially on the shaft.

The permissible misalignment values for the very compact VL/VR3 design are appreciably lower than those for the VA/VR1 and VS/VR2 designs.

In applications where V-rings are not supported axially on the shaft, the maximum value in the diagram should be reduced.

Table 3

Coaxiality and runout tolerances



Shaft diameter nominal				Total tolerance for coaxiality deviation and runout	
d_1 over	incl.	over	incl.	K_{d_1} max	
mm		in.		mm	in.
V-rings, VA/VR1 and VS/VR2 designs					
	9,5		0.374	0,4	0.016
9,5	19,5	0.374	0.768	0,6	0.024
19,5	38	0.768	1.496	0,9	0.034
38	68	1.496	2.677	1,1	0.043
68	105	2.677	4.134	1,4	0.055
105	155	4.134	6.102	1,6	0.063
155	210	6.102	8.628	1,9	0.075
210	2 020	8.628	79.527	3,6	0.142
V-rings, VL/VR3 designs					
135	630	5.315	24.803	1,5	0.059
V-rings, VE/VR4 designs					
450	2 010	17.716	79.134	6	0.236

Counterface

A fine-turned counterface is adequate for V-rings. The appropriate surface roughness values vary depending on the circumferential speed (→ **table 4** on **page 398**). SKF recommends buffing all turned surfaces with an emery cloth to remove any sharp peaks arising from the turning operation. The surface finish should be measured at approximately 90 degrees to the path of the groove to obtain a true reading of the surface.

Counterface treatment

In the presence of grease, oil or dry lubricants, no special counterface treatment is required. Mild steel counterfaces that are exposed to water or other corrosives should be protected, for example by zinc- or chromium-plating or treated with an anti-corrosive spray.

Additional counterface information

Aluminium surfaces should be free of scratch marks. Surface hardness should be > 100 HB in abrasive applications. Die cast aluminium can be used in the as-cast condition.

Steel and cast iron surfaces should be free from lead and sharp tool marks. Cold rolled steel stampings can be used without machining.

Plastic counterface materials are generally not acceptable due to poor heat dissipation.

Stainless steel should not be used in dry-running applications unless the speed is below 1 m/s (200 ft/min).

Diagram 1

Maximum permissible misalignment for V-rings of the VA/VR1 and VS/VR2 designs

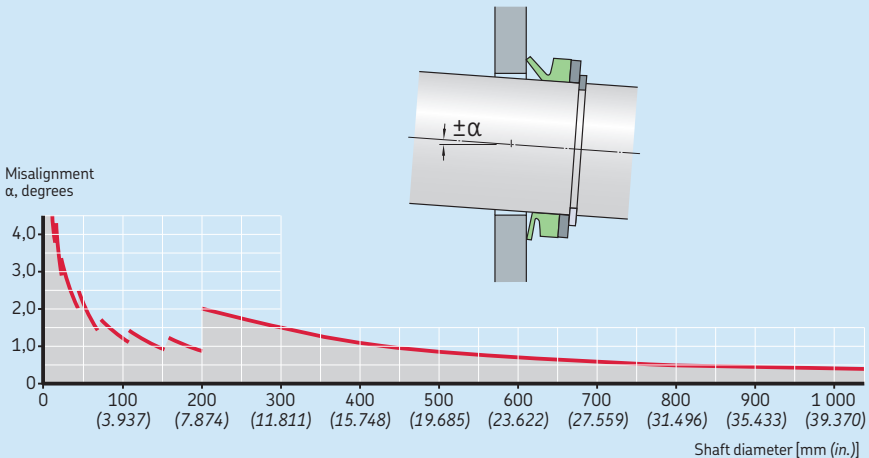


Table 4

Recommended counterface surface finish

Circumferential speed		Surface finish	
m/s	ft/min.	R _a μm	R _a μin.
> 10	> 1 969	0,4–0,8	16–32
5–10	984–1 969	0,8–1,6	32–64
1–5	199–984	1,6–2,0	64–80
< 1	< 199	2,0–2,5	80–100

The surface finish must not be lower than R_a 0,05 μm (2 μin.).

Product table sorting order

When searching for a suitable V-ring for a given shaft diameter, e.g. 930 mm, first identify the possible shaft diameter ranges (d_1). In this case, there are three possible ranges (→ **fig. 9a**). Then look for the appropriate dimensions D_1 , D and B_1 that are listed in ascending order (→ **fig. 9b**). Please note that this sorting order concept results in that the shaft diameter ranges do not always come in ascending order, e.g. here 925–975 mm is listed before 920–965 mm.

Fig. 9

Dimensions		Shaft diameter range d_1 over	incl.	Seal inside diameter, free state d	Seal seat width b_1	Nominal seal width b	Nominal seal height c	Clearance D_1 max	Counterface D min	Seal fitted width B_1	Lip code	Designation
mm	mm											
851	861	824		824	32,5	65	30					
		824			32,5	65	21	$d_1 + 24$	$d_1 + 115$	50 ± 12	R	
861	871	833		833	32,5	65	30	$d_1 + 24$	$d_1 + 115$	50 ± 12	R	860 VE R
		833			32,5	65	21	$d_1 + 24$	$d_1 + 115$	50 ± 12	R	860 VRME R
871	882	843		843	32,5	65	30	$d_1 + 24$	$d_1 + 115$	50 ± 12	R	870 VE R
		843			32,5	65	21	$d_1 + 24$	$d_1 + 115$	50 ± 12	R	870 VRME R
912	922	880		880	32,5	65	30	$d_1 + 24$	$d_1 + 115$	50 ± 12	R	880 VE R
		880			32,5	65	21	$d_1 + 24$	$d_1 + 115$	50 ± 12	R	880 VRME R
925	975	865		865	6	10,5	6,5	$d_1 + 5$	$d_1 + 20$	$8 \pm 1,5$	R	920 VE R
		865			6	10,5	6,5	$d_1 + 5$	$d_1 + 20$	$8 \pm 1,5$	R	920 VRME R
920	965	865		865	14,3	25	15	$d_1 + 10$	$d_1 + 45$	20 ± 4	R	920 VE R
		865			14,3	25	15	$d_1 + 10$	$d_1 + 45$	20 ± 4	R	920 VRME R
922	933	890		890	32,5	65	30	$d_1 + 24$	$d_1 + 115$	50 ± 12	R	930 VE R
		890			32,5	65	21	$d_1 + 24$	$d_1 + 115$	50 ± 12	R	930 VRME R
933	944	900		900	32,5	65	30	$d_1 + 24$	$d_1 + 115$	50 ± 12	R	940 VE R
		900			32,5	65	21	$d_1 + 24$	$d_1 + 115$	50 ± 12	R	940 VRME R
944	955	911		911	32,5	65	30	$d_1 + 24$	$d_1 + 115$	50 ± 12	R	
		911			32,5	65	21	$d_1 + 24$	$d_1 + 115$	50 ± 12	R	

Shaft requirements

Sharp edges, nicks and burrs on the shaft must be avoided to prevent damage to the V-ring during installation.

V-rings rotate with the shaft and only require a moderate surface roughness value. As a general guideline, the value should not exceed R_a 6,3 μm (252 $\mu\text{in.}$). When sealing fluids or exposed to fine, solid contaminants, the V-ring requires a surface roughness value of maximum R_a 3,2 μm (128 $\mu\text{in.}$).

A V-ring is stretched when installed and fits all shaft diameters within the ranges listed in the product tables.

Installing V-rings

V-rings are elastic and can be stretched and pushed over other components, which facilitates the installation (→ **fig. 10**). When several V-rings are to be installed, a simple tool (→ **fig. 11**) can be used to push the seals to their position at a predetermined distance from the counterface. V-rings can also be cut and rejoined in the field.

The general installation guidelines include the following:

- Clean the V-ring, counterface and shaft.
- Make sure that the shaft is dry and free from grease or oil, particularly when installing a V-ring without axial support.
- Lubricate the lip of the V-ring with a thin film of grease or silicone oil.
- In applications where friction must be reduced to a minimum, the counterface should be coated with a low-friction agent. Do not apply grease to the lip.
- Check that the V-ring is installed with a uniform stretch around the shaft.

Fig. 10

Installing a V-ring

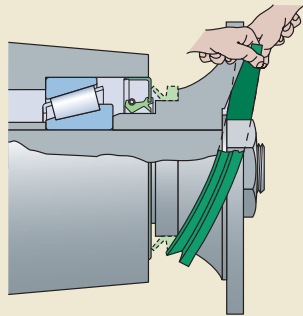
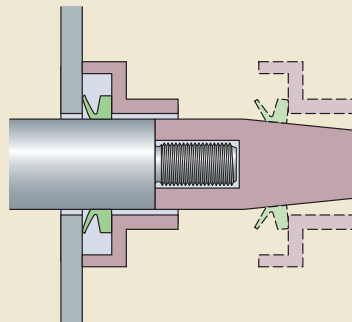


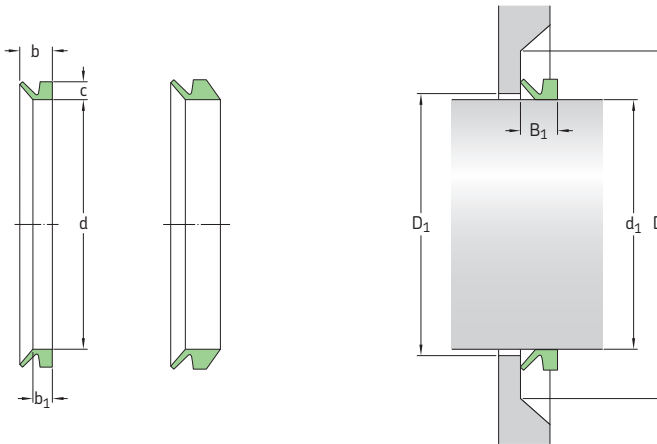
Fig. 11

Installation tool



V-ring seals – metric dimensions, globally valid outside North American market

d_1 2,7 – 53 mm



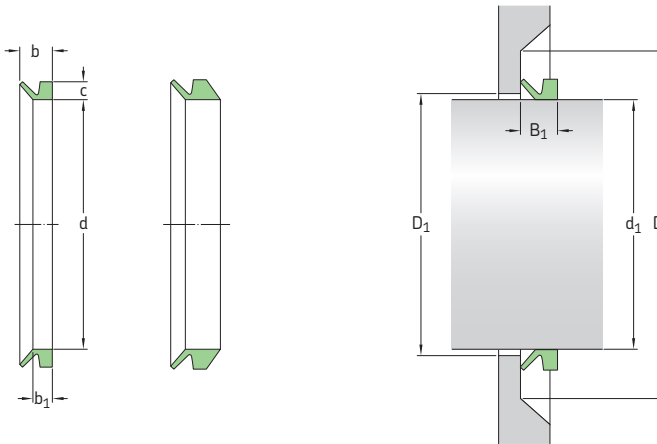
Dimensions		Seal inside diameter, free state d	Seal seat width b_1	Nominal seal width b	Nominal seal height c	Clearance D_1 max	Counterface D min	Seal fitted width B_1	Lip code	Designation
Shaft diameter range d_1 over	incl.									
mm										
2,7	3,5	2,5	2,1	3	1,5	$d_1 + 1$	$d_1 + 4$	$2,5 \pm 0,3$	R	3 VA R
		2,5	2,1	3	1,5	$d_1 + 1$	$d_1 + 4$	$2,5 \pm 0,3$	V	3 VA V
3,5	4,5	3,2	2,4	3,7	2	$d_1 + 1$	$d_1 + 6$	$3 \pm 0,4$	R	4 VA R
		3,2	2,4	3,7	2	$d_1 + 1$	$d_1 + 6$	$3 \pm 0,4$	V	4 VA V
4,5	5,5	4	2,4	3,7	2	$d_1 + 1$	$d_1 + 6$	$3 \pm 0,4$	R	5 VA R
		4	2,4	3,7	2	$d_1 + 1$	$d_1 + 6$	$3 \pm 0,4$	V	5 VA V
		4	3,9	5,2	2	$d_1 + 1$	$d_1 + 6$	$4,5 \pm 0,4$	R	5 VS R
		4	3,9	5,2	2	$d_1 + 1$	$d_1 + 6$	$4,5 \pm 0,4$	V	5 VS V
5,5	6,5	5	2,4	3,7	2	$d_1 + 1$	$d_1 + 6$	$3 \pm 0,4$	R	6 VA R
		5	2,4	3,7	2	$d_1 + 1$	$d_1 + 6$	$3 \pm 0,4$	V	6 VA V
		5	3,9	5,2	2	$d_1 + 1$	$d_1 + 6$	$4,5 \pm 0,4$	R	6 VS R
		5	3,9	5,2	2	$d_1 + 1$	$d_1 + 6$	$4,5 \pm 0,4$	V	6 VS V
6,5	8	6	2,4	3,7	2	$d_1 + 1$	$d_1 + 6$	$3 \pm 0,4$	R	7 VA R
		6	2,4	3,7	2	$d_1 + 1$	$d_1 + 6$	$3 \pm 0,4$	V	7 VA V
		6	3,9	5,2	2	$d_1 + 1$	$d_1 + 6$	$4,5 \pm 0,4$	R	7 VS R
		6	3,9	5,2	2	$d_1 + 1$	$d_1 + 6$	$4,5 \pm 0,4$	V	7 VS V
8	9,5	7	2,4	3,7	2	$d_1 + 1$	$d_1 + 6$	$3 \pm 0,4$	R	8 VA R
		7	2,4	3,7	2	$d_1 + 1$	$d_1 + 6$	$3 \pm 0,4$	V	8 VA V
		7	3,9	5,2	2	$d_1 + 1$	$d_1 + 6$	$4,5 \pm 0,4$	R	8 VS R
		7	3,9	5,2	2	$d_1 + 1$	$d_1 + 6$	$4,5 \pm 0,4$	V	8 VS V
9,5	11,5	9	3,4	5,5	3	$d_1 + 1$	$d_1 + 9$	$4,5 \pm 0,6$	R	10 VA R
		9	3,4	5,5	3	$d_1 + 1$	$d_1 + 9$	$4,5 \pm 0,6$	V	10 VA V
		9	5,6	7,7	3	$d_1 + 1$	$d_1 + 9$	$6,7 \pm 0,6$	R	10 VS R
		9	5,6	7,7	3	$d_1 + 1$	$d_1 + 9$	$6,7 \pm 0,6$	V	10 VS V
11,5	12,5	10,5	3,4	5,5	3	$d_1 + 1$	$d_1 + 9$	$4,5 \pm 0,6$	R	12 VA R
		10,5	3,4	5,5	3	$d_1 + 1$	$d_1 + 9$	$4,5 \pm 0,6$	V	12 VA V
11,5	13,5	10,5	5,6	7,7	3	$d_1 + 1$	$d_1 + 9$	$6,7 \pm 0,6$	R	12 VS R
		10,5	5,6	7,7	3	$d_1 + 1$	$d_1 + 9$	$6,7 \pm 0,6$	V	12 VS V
		11,7	3,4	5,5	3	$d_1 + 1$	$d_1 + 9$	$4,5 \pm 0,6$	R	13 VA R
		11,7	3,4	5,5	3	$d_1 + 1$	$d_1 + 9$	$4,5 \pm 0,6$	V	13 VA V
13,5	15,5	12,5	3,4	5,5	3	$d_1 + 1$	$d_1 + 9$	$4,5 \pm 0,6$	R	14 VA R
		12,5	3,4	5,5	3	$d_1 + 1$	$d_1 + 9$	$4,5 \pm 0,6$	V	14 VA V

Dimensions		Seal inside diameter, free state d	Seal seat width b ₁	Nominal seal width b	Nominal seal height c	Clearance D ₁ max	Counterface D min	Seal fitted width B ₁	Lip code	Designation
Shaft diameter range d ₁ over	incl.									
mm										
13,5 cont.	15,5	12,5	5,6	7,7	3	d ₁ +1	d ₁ +9	6,7 ± 0,6	R	14 VS R
		12,5	5,6	7,7	3	d ₁ +1	d ₁ +9	6,7 ± 0,6	V	14 VS V
15,5	17	14	3,4	5,5	3	d ₁ +1	d ₁ +9	4,5 ± 0,6	R	16 VA R
		14	3,4	5,5	3	d ₁ +1	d ₁ +9	4,5 ± 0,6	V	16 VA V
15,5	17,5	14	5,6	7,7	3	d ₁ +1	d ₁ +9	6,7 ± 0,6	R	16 VS R
		14	5,6	7,7	3	d ₁ +1	d ₁ +9	6,7 ± 0,6	V	16 VS V
17,5	19	16	3,4	5,5	3	d ₁ +1	d ₁ +9	4,5 ± 0,6	R	18 VA R
		16	3,4	5,5	3	d ₁ +1	d ₁ +9	4,5 ± 0,6	V	18 VA V
		16	5,6	7,7	3	d ₁ +1	d ₁ +9	6,7 ± 0,6	R	18 VS R
		16	5,6	7,7	3	d ₁ +1	d ₁ +9	6,7 ± 0,6	V	18 VS V
19	21	18	4,7	7,5	4	d ₁ +2	d ₁ +12	6 ± 0,8	R	20 VA R
		18	4,7	7,5	4	d ₁ +2	d ₁ +12	6 ± 0,8	V	20 VA V
		18	7,9	10,5	4	d ₁ +2	d ₁ +12	9 ± 0,8	R	20 VS R
		18	7,9	10,5	4	d ₁ +2	d ₁ +12	9 ± 0,8	V	20 VS V
21	24	20	4,7	7,5	4	d ₁ +2	d ₁ +12	6 ± 0,8	R	22 VA R
		20	4,7	7,5	4	d ₁ +2	d ₁ +12	6 ± 0,8	V	22 VA V
		20	7,9	10,5	4	d ₁ +2	d ₁ +12	9 ± 0,8	R	22 VS R
		20	7,9	10,5	4	d ₁ +2	d ₁ +12	9 ± 0,8	V	22 VS V
24	27	22	4,7	7,5	4	d ₁ +2	d ₁ +12	6 ± 0,8	R	25 VA R
		22	4,7	7,5	4	d ₁ +2	d ₁ +12	6 ± 0,8	V	25 VA V
		22	7,9	10,5	4	d ₁ +2	d ₁ +12	9 ± 0,8	R	25 VS R
		22	7,9	10,5	4	d ₁ +2	d ₁ +12	9 ± 0,8	V	25 VS V
27	29	25	4,7	7,5	4	d ₁ +2	d ₁ +12	6 ± 0,8	R	28 VA R
		25	4,7	7,5	4	d ₁ +2	d ₁ +12	6 ± 0,8	V	28 VA V
		25	7,9	10,5	4	d ₁ +2	d ₁ +12	9 ± 0,8	R	28 VS R
		25	7,9	10,5	4	d ₁ +2	d ₁ +12	9 ± 0,8	V	28 VS V
29	31	27	4,7	7,5	4	d ₁ +2	d ₁ +12	6 ± 0,8	R	30 VA R
		27	4,7	7,5	4	d ₁ +2	d ₁ +12	6 ± 0,8	V	30 VA V
		27	7,9	10,5	4	d ₁ +2	d ₁ +12	9 ± 0,8	R	30 VS R
		27	7,9	10,5	4	d ₁ +2	d ₁ +12	9 ± 0,8	V	30 VS V
31	33	29	4,7	7,5	4	d ₁ +2	d ₁ +12	6 ± 0,8	R	32 VA R
		29	4,7	7,5	4	d ₁ +2	d ₁ +12	6 ± 0,8	V	32 VA V
		29	7,9	10,5	4	d ₁ +2	d ₁ +12	9 ± 0,8	R	32 VS R
		29	7,9	10,5	4	d ₁ +2	d ₁ +12	9 ± 0,8	V	32 VS V
33	36	31	4,7	7,5	4	d ₁ +2	d ₁ +12	6 ± 0,8	R	35 VA R
		31	4,7	7,5	4	d ₁ +2	d ₁ +12	6 ± 0,8	V	35 VA V
		31	7,9	10,5	4	d ₁ +2	d ₁ +12	9 ± 0,8	R	35 VS R
		31	7,9	10,5	4	d ₁ +2	d ₁ +12	9 ± 0,8	V	35 VS V
36	38	34	4,7	7,5	4	d ₁ +2	d ₁ +12	6 ± 0,8	R	38 VA R
		34	4,7	7,5	4	d ₁ +2	d ₁ +12	6 ± 0,8	V	38 VA V
		34	7,9	10,5	4	d ₁ +2	d ₁ +12	9 ± 0,8	R	38 VS R
		34	7,9	10,5	4	d ₁ +2	d ₁ +12	9 ± 0,8	V	38 VS V
38	43	36	5,5	9	5	d ₁ +2	d ₁ +15	7 ± 1	R	40 VA R
		36	5,5	9	5	d ₁ +2	d ₁ +15	7 ± 1	V	40 VA V
		36	9,5	13	5	d ₁ +2	d ₁ +15	11 ± 1	R	40 VS R
		36	9,5	13	5	d ₁ +2	d ₁ +15	11 ± 1	V	40 VS V
43	48	40	5,5	9	5	d ₁ +2	d ₁ +15	7 ± 1	R	45 VA R
		40	5,5	9	5	d ₁ +2	d ₁ +15	7 ± 1	V	45 VA V
		40	9,5	13	5	d ₁ +2	d ₁ +15	11 ± 1	R	45 VS R
		40	9,5	13	5	d ₁ +2	d ₁ +15	11 ± 1	V	45 VS V
48	53	45	5,5	9	5	d ₁ +2	d ₁ +15	7 ± 1	R	50 VA R
		45	5,5	9	5	d ₁ +2	d ₁ +15	7 ± 1	V	50 VA V
		45	9,5	13	5	d ₁ +2	d ₁ +15	11 ± 1	R	50 VS R
		45	9,5	13	5	d ₁ +2	d ₁ +15	11 ± 1	V	50 VS V



V-ring seals – metric dimensions, globally valid outside North American market

d₁ 53 – 195 mm

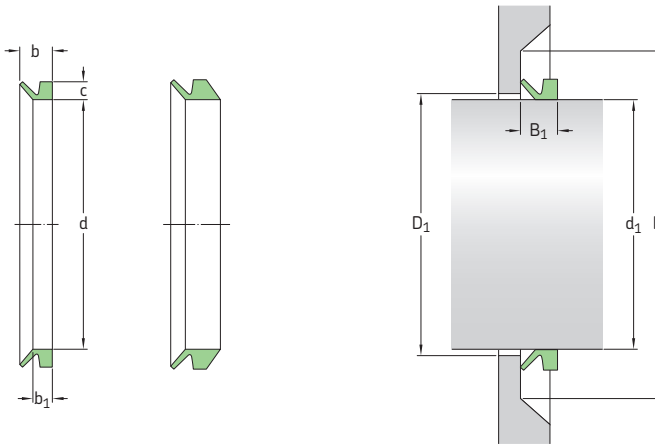


Dimensions		Seal inside diameter, free state d	Seal seat width b ₁	Nominal seal width b	Nominal seal height c	Clearance D ₁ max	Counterface D min	Seal fitted width B ₁	Lip code	Designation
Shaft diameter range d ₁ over	incl.									
mm										
53	58	49	5,5	9	5	d ₁ + 2	d ₁ + 15	7 ± 1	R	55 VA R
		49	5,5	9	5	d ₁ + 2	d ₁ + 15	7 ± 1	V	55 VA V
		49	9,5	13	5	d ₁ + 2	d ₁ + 15	11 ± 1	R	55 VS R
		49	9,5	13	5	d ₁ + 2	d ₁ + 15	11 ± 1	V	55 VS V
58	63	54	5,5	9	5	d ₁ + 2	d ₁ + 15	7 ± 1	R	60 VA R
		54	5,5	9	5	d ₁ + 2	d ₁ + 15	7 ± 1	V	60 VA V
		54	9,5	13	5	d ₁ + 2	d ₁ + 15	11 ± 1	R	60 VS R
		54	9,5	13	5	d ₁ + 2	d ₁ + 15	11 ± 1	V	60 VS V
63	68	58	5,5	9	5	d ₁ + 2	d ₁ + 15	7 ± 1	R	65 VA R
		58	5,5	9	5	d ₁ + 2	d ₁ + 15	7 ± 1	V	65 VA V
		58	9,5	13	5	d ₁ + 2	d ₁ + 15	11 ± 1	R	65 VS R
		58	9,5	13	5	d ₁ + 2	d ₁ + 15	11 ± 1	V	65 VS V
68	73	63	6,8	11	6	d ₁ + 3	d ₁ + 18	9 ± 1,2	R	70 VA R
		63	6,8	11	6	d ₁ + 3	d ₁ + 18	9 ± 1,2	V	70 VA V
		63	11,3	15,5	6	d ₁ + 3	d ₁ + 18	13,5 ± 1,2	R	70 VS R
		63	11,3	15,5	6	d ₁ + 3	d ₁ + 18	13,5 ± 1,2	V	70 VS V
73	78	67	6,8	11	6	d ₁ + 3	d ₁ + 18	9 ± 1,2	R	75 VA R
		67	6,8	11	6	d ₁ + 3	d ₁ + 18	13,5 ± 1,2	R	75 VS R
		67	11,3	15,5	6	d ₁ + 3	d ₁ + 18	13,5 ± 1,2	V	75 VS V
78	83	72	6,8	11	6	d ₁ + 3	d ₁ + 18	9 ± 1,2	R	80 VA R
		72	6,8	11	6	d ₁ + 3	d ₁ + 18	9 ± 1,2	V	80 VA V
		72	11,3	15,5	6	d ₁ + 3	d ₁ + 18	13,5 ± 1,2	R	80 VS R
		72	11,3	15,5	6	d ₁ + 3	d ₁ + 18	13,5 ± 1,2	V	80 VS V
83	88	76	6,8	11	6	d ₁ + 3	d ₁ + 18	9 ± 1,2	R	85 VA R
		76	6,8	11	6	d ₁ + 3	d ₁ + 18	9 ± 1,2	V	85 VA V
		76	11,3	15,5	6	d ₁ + 3	d ₁ + 18	13,5 ± 1,2	R	85 VS R
		76	11,3	15,5	6	d ₁ + 3	d ₁ + 18	13,5 ± 1,2	V	85 VS V
88	93	81	6,8	11	6	d ₁ + 3	d ₁ + 18	9 ± 1,2	R	90 VA R
		81	6,8	11	6	d ₁ + 3	d ₁ + 18	9 ± 1,2	V	90 VA V
		81	11,3	15,5	6	d ₁ + 3	d ₁ + 18	13,5 ± 1,2	R	90 VS R
		81	11,3	15,5	6	d ₁ + 3	d ₁ + 18	13,5 ± 1,2	V	90 VS V
93	98	85	6,8	11	6	d ₁ + 3	d ₁ + 18	9 ± 1,2	R	95 VA R
		85	6,8	11	6	d ₁ + 3	d ₁ + 18	9 ± 1,2	V	95 VA V
		85	11,3	15,5	6	d ₁ + 3	d ₁ + 18	13,5 ± 1,2	R	95 VS R
		85	11,3	15,5	6	d ₁ + 3	d ₁ + 18	13,5 ± 1,2	V	95 VS V

Dimensions		Seal inside diameter, free state d	Seal seat width b ₁	Nominal seal width b	Nominal seal height c	Clearance D ₁ max	Counterface D min	Seal fitted width B ₁	Lip code	Designation
Shaft diameter range d ₁ over	incl.									
mm										
98	105	90	6,8	11	6	d ₁ +3	d ₁ +18	9 ± 1,2	R	100 VA R
		90	6,8	11	6	d ₁ +3	d ₁ +18	9 ± 1,2	V	100 VA V
		90	11,3	15,5	6	d ₁ +3	d ₁ +18	13,5 ± 1,2	R	100 VS R
		90	11,3	15,5	6	d ₁ +3	d ₁ +18	13,5 ± 1,2	V	100 VS V
105	115	99	6	10,5	6,5	d ₁ +5	d ₁ +20	8 ± 1,5	R	110 VL R
		99	6	10,5	6,5	d ₁ +5	d ₁ +20	8 ± 1,5	V	110 VL V
		99	7,9	12,8	7	d ₁ +4	d ₁ +21	10,5 ± 1,5	R	110 VA R
		99	7,9	12,8	7	d ₁ +4	d ₁ +21	10,5 ± 1,5	V	110 VA V
		99	13,1	18	7	d ₁ +4	d ₁ +21	15,5 ± 1,5	R	110 VS R
		99	13,1	18	7	d ₁ +4	d ₁ +21	15,5 ± 1,5	V	110 VS V
115	125	108	6	10,5	6,5	d ₁ +5	d ₁ +20	8 ± 1,5	R	120 VL R
		108	6	10,5	6,5	d ₁ +5	d ₁ +20	8 ± 1,5	V	120 VL V
		108	7,9	12,8	7	d ₁ +4	d ₁ +21	10,5 ± 1,5	R	120 VA R
		108	7,9	12,8	7	d ₁ +4	d ₁ +21	10,5 ± 1,5	V	120 VA V
		108	13,1	18	7	d ₁ +4	d ₁ +21	15,5 ± 1,5	R	120 VS R
		108	13,1	18	7	d ₁ +4	d ₁ +21	15,5 ± 1,5	V	120 VS V
125	135	117	6	10,5	6,5	d ₁ +5	d ₁ +20	8 ± 1,5	R	130 VL R
		117	6	10,5	6,5	d ₁ +5	d ₁ +20	8 ± 1,5	V	130 VL V
		117	7,9	12,8	7	d ₁ +4	d ₁ +21	10,5 ± 1,5	R	130 VA R
		117	7,9	12,8	7	d ₁ +4	d ₁ +21	10,5 ± 1,5	V	130 VA V
		117	13,1	18	7	d ₁ +4	d ₁ +21	15,5 ± 1,5	R	130 VS R
		117	13,1	18	7	d ₁ +4	d ₁ +21	15,5 ± 1,5	V	130 VS V
135	145	126	6	10,5	6,5	d ₁ +5	d ₁ +20	8 ± 1,5	R	140 VL R
		126	6	10,5	6,5	d ₁ +5	d ₁ +20	8 ± 1,5	V	140 VL V
		126	7,9	12,8	7	d ₁ +4	d ₁ +21	10,5 ± 1,5	R	140 VA R
		126	7,9	12,8	7	d ₁ +4	d ₁ +21	10,5 ± 1,5	V	140 VA V
		126	13,1	18	7	d ₁ +4	d ₁ +21	15,5 ± 1,5	R	140 VS R
		126	13,1	18	7	d ₁ +4	d ₁ +21	15,5 ± 1,5	V	140 VS V
145	155	135	6	10,5	6,5	d ₁ +5	d ₁ +20	8 ± 1,5	R	150 VL R
		135	6	10,5	6,5	d ₁ +5	d ₁ +20	8 ± 1,5	V	150 VL V
		135	7,9	12,8	7	d ₁ +4	d ₁ +21	10,5 ± 1,5	R	150 VA R
		135	7,9	12,8	7	d ₁ +4	d ₁ +21	10,5 ± 1,5	V	150 VA V
		135	13,1	18	7	d ₁ +4	d ₁ +21	15,5 ± 1,5	R	150 VS R
		135	13,1	18	7	d ₁ +4	d ₁ +21	15,5 ± 1,5	V	150 VS V
155	165	144	6	10,5	6,5	d ₁ +5	d ₁ +20	8 ± 1,5	R	160 VL R
		144	6	10,5	6,5	d ₁ +5	d ₁ +20	8 ± 1,5	V	160 VL V
		144	9	14,5	8	d ₁ +4	d ₁ +24	12 ± 1,8	R	160 VA R
		144	9	14,5	8	d ₁ +4	d ₁ +24	12 ± 1,8	V	160 VA V
		144	15	20,5	8	d ₁ +4	d ₁ +24	18 ± 1,8	R	160 VS R
		144	15	20,5	8	d ₁ +4	d ₁ +24	18 ± 1,8	V	160 VS V
165	175	153	6	10,5	6,5	d ₁ +5	d ₁ +20	8 ± 1,5	R	170 VL R
		153	6	10,5	6,5	d ₁ +5	d ₁ +20	8 ± 1,5	V	170 VL V
		153	9	14,5	8	d ₁ +4	d ₁ +24	12 ± 1,8	R	170 VA R
		153	9	14,5	8	d ₁ +4	d ₁ +24	12 ± 1,8	V	170 VA V
		153	15	20,5	8	d ₁ +4	d ₁ +24	18 ± 1,8	R	170 VS R
		153	15	20,5	8	d ₁ +4	d ₁ +24	18 ± 1,8	V	170 VS V
175	185	162	6	10,5	6,5	d ₁ +5	d ₁ +20	8 ± 1,5	R	180 VL R
		162	6	10,5	6,5	d ₁ +5	d ₁ +20	8 ± 1,5	V	180 VL V
		162	9	14,5	8	d ₁ +4	d ₁ +24	12 ± 1,8	R	180 VA R
		162	9	14,5	8	d ₁ +4	d ₁ +24	12 ± 1,8	V	180 VA V
		162	15	20,5	8	d ₁ +4	d ₁ +24	18 ± 1,8	R	180 VS R
		162	15	20,5	8	d ₁ +4	d ₁ +24	18 ± 1,8	V	180 VS V
185	195	171	6	10,5	6,5	d ₁ +5	d ₁ +20	8 ± 1,5	R	190 VL R
		171	6	10,5	6,5	d ₁ +5	d ₁ +20	8 ± 1,5	V	190 VL V
		171	9	14,5	8	d ₁ +4	d ₁ +24	12 ± 1,8	R	190 VA R
		171	9	14,5	8	d ₁ +4	d ₁ +24	12 ± 1,8	V	190 VA V
		171	15	20,5	8	d ₁ +4	d ₁ +24	18 ± 1,8	R	190 VS R
		171	15	20,5	8	d ₁ +4	d ₁ +24	18 ± 1,8	V	190 VS V

V-ring seals – metric dimensions, globally valid outside North American market

d_1 190 – 395 mm

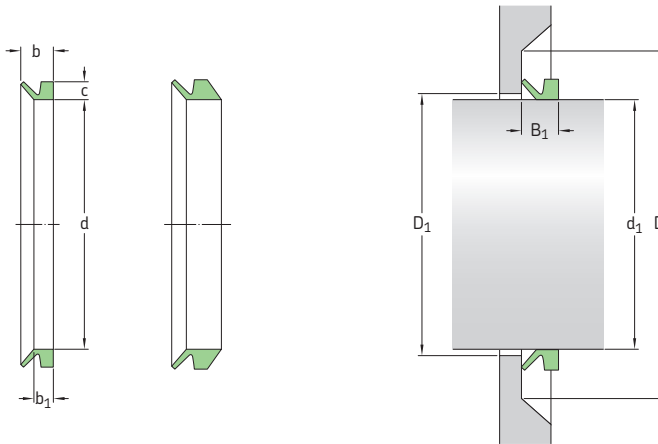


Dimensions		Seal inside diameter, free state d	Seal seat width b_1	Nominal seal width b	Nominal seal height c	Clearance D_1 max	Counterface D min	Seal fitted width B_1	Lip code	Designation
Shaft diameter range d_1 over	incl.									
mm										
195	210	182	6	10,5	6,5	$d_1 + 5$	$d_1 + 20$	$8 \pm 1,5$	R	200 VL R
		182	6	10,5	6,5	$d_1 + 5$	$d_1 + 20$	$8 \pm 1,5$	V	200 VL V
		180	9	14,5	8	$d_1 + 4$	$d_1 + 24$	$12 \pm 1,8$	R	199 VA R
		180	9	14,5	8	$d_1 + 4$	$d_1 + 24$	$12 \pm 1,8$	V	199 VA V
		180	15	20,5	8	$d_1 + 4$	$d_1 + 24$	$18 \pm 1,8$	R	199 VS R
		180	15	20,5	8	$d_1 + 4$	$d_1 + 24$	$18 \pm 1,8$	V	199 VS V
190	210	180	14,3	25	15	$d_1 + 10$	$d_1 + 45$	20 ± 4	R	200 VA R
		180	14,3	25	15	$d_1 + 10$	$d_1 + 45$	20 ± 4	V	200 VA V
210	233	198	6	10,5	6,5	$d_1 + 5$	$d_1 + 20$	$8 \pm 1,5$	R	220 VL R
		198	6	10,5	6,5	$d_1 + 5$	$d_1 + 20$	$8 \pm 1,5$	V	220 VL V
		198	14,3	25	15	$d_1 + 10$	$d_1 + 45$	20 ± 4	R	220 VA R
		198	14,3	25	15	$d_1 + 10$	$d_1 + 45$	20 ± 4	V	220 VA V
233	260	225	6	10,5	6,5	$d_1 + 5$	$d_1 + 20$	$8 \pm 1,5$	R	250 VL R
		225	6	10,5	6,5	$d_1 + 5$	$d_1 + 20$	$8 \pm 1,5$	V	250 VL V
235	265	225	14,3	25	15	$d_1 + 10$	$d_1 + 45$	20 ± 4	R	250 VA R
		225	14,3	25	15	$d_1 + 10$	$d_1 + 45$	20 ± 4	V	250 VA V
260	285	247	6	10,5	6,5	$d_1 + 5$	$d_1 + 20$	$8 \pm 1,5$	R	275 VL R
		247	6	10,5	6,5	$d_1 + 5$	$d_1 + 20$	$8 \pm 1,5$	V	275 VL V
265	290	247	14,3	25	15	$d_1 + 10$	$d_1 + 45$	20 ± 4	R	275 VA R
		247	14,3	25	15	$d_1 + 10$	$d_1 + 45$	20 ± 4	V	275 VA V
285	310	270	6	10,5	6,5	$d_1 + 5$	$d_1 + 20$	$8 \pm 1,5$	R	300 VL R
		270	6	10,5	6,5	$d_1 + 5$	$d_1 + 20$	$8 \pm 1,5$	V	300 VL V
290	310	270	14,3	25	15	$d_1 + 10$	$d_1 + 45$	20 ± 4	R	300 VA R
		270	14,3	25	15	$d_1 + 10$	$d_1 + 45$	20 ± 4	V	300 VA V
300	305	294	32,5	65	30	$d_1 + 24$	$d_1 + 115$	50 ± 12	R	300 VE R
		294	32,5	65	21	$d_1 + 24$	$d_1 + 115$	50 ± 12	R	300 VRME R
305	310	299	32,5	65	30	$d_1 + 24$	$d_1 + 115$	50 ± 12	R	305 VE R
		299	32,5	65	21	$d_1 + 24$	$d_1 + 115$	50 ± 12	R	305 VRME R
310	335	292	6	10,5	6,5	$d_1 + 5$	$d_1 + 20$	$8 \pm 1,5$	R	325 VL R
		292	6	10,5	6,5	$d_1 + 5$	$d_1 + 20$	$8 \pm 1,5$	V	325 VL V

Dimensions		Seal inside diameter, free state d	Seal seat width b ₁	Nominal seal width b	Nominal seal height c	Clearance D ₁ max	Counterface D min	Seal fitted width B ₁	Lip code	Designation
Shaft diameter range d ₁ over	incl.									
mm										
310 cont.	335	292 292	14,3 14,3	25 25	15 15	d ₁ +10 d ₁ +10	d ₁ +45 d ₁ +45	20 ± 4 20 ± 4	R V	325 VA R 325 VA V
310	315	304 304	32,5 32,5	65 65	30 21	d ₁ +24 d ₁ +24	d ₁ +115 d ₁ +115	50 ± 12 50 ± 12	R R	310 VE R 310 VRME R
315	320	309 309	32,5 32,5	65 65	30 21	d ₁ +24 d ₁ +24	d ₁ +115 d ₁ +115	50 ± 12 50 ± 12	R R	315 VE R 315 VRME R
320	325	314 314	32,5 32,5	65 65	30 21	d ₁ +24 d ₁ +24	d ₁ +115 d ₁ +115	50 ± 12 50 ± 12	R R	320 VE R 320 VRME R
325	330	319 319	32,5 32,5	65 65	30 21	d ₁ +24 d ₁ +24	d ₁ +115 d ₁ +115	50 ± 12 50 ± 12	R R	325 VE R 325 VRME R
330	335	323 323	32,5 32,5	65 65	30 21	d ₁ +24 d ₁ +24	d ₁ +115 d ₁ +115	50 ± 12 50 ± 12	R R	330 VE R 330 VRME R
335	365	315 315 315 315	6 6 14,3 14,3	10,5 10,5 25 25	6,5 6,5 15 15	d ₁ +5 d ₁ +5 d ₁ +10 d ₁ +10	d ₁ +20 d ₁ +20 d ₁ +45 d ₁ +45	8 ± 1,5 8 ± 1,5 20 ± 4 20 ± 4	R V R V	350 VL R 350 VL V 350 VA R 350 VA V
335	340	328 328	32,5 32,5	65 65	30 21	d ₁ +24 d ₁ +24	d ₁ +115 d ₁ +115	50 ± 12 50 ± 12	R R	335 VE R 335 VRME R
340	345	333 328	32,5 32,5	65 65	30 21	d ₁ +24 d ₁ +24	d ₁ +115 d ₁ +115	50 ± 12 50 ± 12	R R	340 VE R 340 VRME R
345	350	338 338	32,5 32,5	65 65	30 21	d ₁ +24 d ₁ +24	d ₁ +115 d ₁ +115	50 ± 12 50 ± 12	R R	345 VE R 345 VRME R
350	355	343 343	32,5 32,5	65 65	30 21	d ₁ +24 d ₁ +24	d ₁ +115 d ₁ +115	50 ± 12 50 ± 12	R R	350 VE R 350 VRME R
355	360	347 347	32,5 32,5	65 65	30 21	d ₁ +24 d ₁ +24	d ₁ +115 d ₁ +115	50 ± 12 50 ± 12	R R	355 VE R 355 VRME R
360	365	352 357	32,5 32,5	65 65	30 21	d ₁ +24 d ₁ +24	d ₁ +115 d ₁ +115	50 ± 12 50 ± 12	R R	360 VE R 360 VRME R
365	385	337 337	6 6	10,5 10,5	6,5 6,5	d ₁ +5 d ₁ +5	d ₁ +20 d ₁ +20	8 ± 1,5 8 ± 1,5	R V	375 VL R 375 VL V
365	390	337 337	14,3 14,3	25 25	15 15	d ₁ +10 d ₁ +10	d ₁ +45 d ₁ +45	20 ± 4 20 ± 4	R V	375 VA R 375 VA V
365	370	357	32,5	65	30	d ₁ +24	d ₁ +115	50 ± 12	R	365 VE R
370	375	362 362	32,5 32,5	65 65	30 21	d ₁ +24 d ₁ +24	d ₁ +115 d ₁ +115	50 ± 12 50 ± 12	R R	370 VE R 370 VRME R
375	380	367 367	32,5 32,5	65 65	30 21	d ₁ +24 d ₁ +24	d ₁ +115 d ₁ +115	50 ± 12 50 ± 12	R R	375 VE R 375 VRME R
380	385	371 371	32,5 32,5	65 65	30 21	d ₁ +24 d ₁ +24	d ₁ +115 d ₁ +115	50 ± 12 50 ± 12	R R	380 VE R 380 VRME R
385	410	360 360	6 6	10,5 10,5	6,5 6,5	d ₁ +5 d ₁ +5	d ₁ +20 d ₁ +20	8 ± 1,5 8 ± 1,5	R V	400 VL R 400 VL V
390	430	360 360	14,3 14,3	25 25	15 15	d ₁ +10 d ₁ +10	d ₁ +45 d ₁ +45	20 ± 4 20 ± 4	R V	400 VA R 400 VA V
385	390	376 376	32,5 32,5	65 65	30 21	d ₁ +24 d ₁ +24	d ₁ +115 d ₁ +115	50 ± 12 50 ± 12	R R	385 VE R 385 VRME R
390	395	381 381	32,5 32,5	65 65	30 21	d ₁ +24 d ₁ +24	d ₁ +115 d ₁ +115	50 ± 12 50 ± 12	R R	390 VE R 390 VRME R

V-ring seals – metric dimensions, globally valid outside North American market

d_1 395 – 540 mm

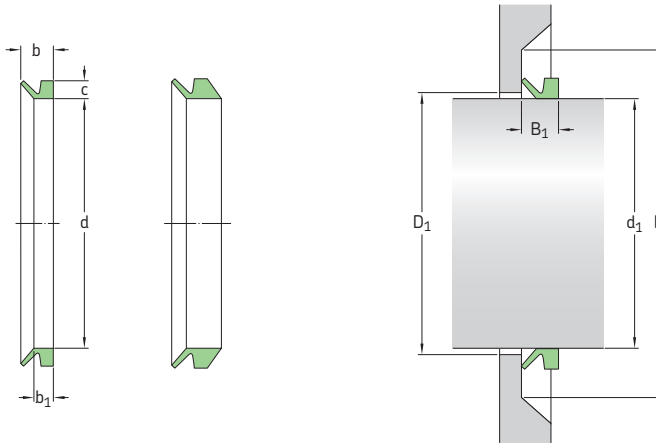


Dimensions		Seal inside diameter, free state d	Seal seat width b_1	Nominal seal width b	Nominal seal height c	Clearance D_1 max	Counterface D min	Seal fitted width B_1	Lip code	Designation
Shaft diameter range d_1 over	incl.									
mm										
395	400	386	32,5	65	30	$d_1 + 24$	$d_1 + 115$	50 ± 12	R	395 VE R 395 VRME R
		386	32,5	65	21	$d_1 + 24$	$d_1 + 115$	50 ± 12	R	
400	405	391	32,5	65	30	$d_1 + 24$	$d_1 + 115$	50 ± 12	R	400 VE R 400 VRME R
		391	32,5	65	21	$d_1 + 24$	$d_1 + 115$	50 ± 12	R	
405	410	396	32,5	65	30	$d_1 + 24$	$d_1 + 115$	50 ± 12	R	405 VE R 405 VRME R
		396	32,5	65	21	$d_1 + 24$	$d_1 + 115$	50 ± 12	R	
410	415	401	32,5	65	30	$d_1 + 24$	$d_1 + 115$	50 ± 12	R	410 VE R 410 VRME R
		401	32,5	65	21	$d_1 + 24$	$d_1 + 115$	50 ± 12	R	
415	420	405	32,5	65	30	$d_1 + 24$	$d_1 + 115$	50 ± 12	R	415 VE R 415 VRME R
		405	32,5	65	21	$d_1 + 24$	$d_1 + 115$	50 ± 12	R	
420	425	410	32,5	65	30	$d_1 + 24$	$d_1 + 115$	50 ± 12	R	420 VE R 420 VRME R
		410	32,5	65	21	$d_1 + 24$	$d_1 + 115$	50 ± 12	R	
425	430	415	32,5	65	30	$d_1 + 24$	$d_1 + 115$	50 ± 12	R	425 VE R 425 VRME R
		415	32,5	65	21	$d_1 + 24$	$d_1 + 115$	50 ± 12	R	
410	440	382	6	10,5	6,5	$d_1 + 5$	$d_1 + 20$	$8 \pm 1,5$	R	425 VL R 425 VL V
		382	6	10,5	6,5	$d_1 + 5$	$d_1 + 20$	$8 \pm 1,5$	V	
440	475	405	6	10,5	6,5	$d_1 + 5$	$d_1 + 20$	$8 \pm 1,5$	R	450 VL R 450 VL V
		405	6	10,5	6,5	$d_1 + 5$	$d_1 + 20$	$8 \pm 1,5$	V	
430	480	405	14,3	25	15	$d_1 + 10$	$d_1 + 45$	20 ± 4	R	450 VA R 450 VA V
		405	14,3	25	15	$d_1 + 10$	$d_1 + 45$	20 ± 4	V	
430	435	420	32,5	65	30	$d_1 + 24$	$d_1 + 115$	50 ± 12	R	430 VE R 430 VRME R
		420	32,5	65	21	$d_1 + 24$	$d_1 + 115$	50 ± 12	R	
435	440	425	32,5	65	30	$d_1 + 24$	$d_1 + 115$	50 ± 12	R	435 VE R 435 VRME R
		425	32,5	65	21	$d_1 + 24$	$d_1 + 115$	50 ± 12	R	
440	445	429	32,5	65	30	$d_1 + 24$	$d_1 + 115$	50 ± 12	R	440 VE R 440 VRME R
		429	32,5	65	21	$d_1 + 24$	$d_1 + 115$	50 ± 12	R	
445	450	434	32,5	65	30	$d_1 + 24$	$d_1 + 115$	50 ± 12	R	445 VE R 445 VRME R
		434	32,5	65	21	$d_1 + 24$	$d_1 + 115$	50 ± 12	R	

Dimensions		Seal inside diameter, free state d	Seal seat width b ₁	Nominal seal width b	Nominal seal height c	Clearance D ₁ max	Counterface D min	Seal fitted width B ₁	Lip code	Designation
Shaft diameter range d ₁ over	incl.									
mm										
450	455	439	32,5	65	30	d ₁ + 24	d ₁ + 115	50 ± 12	R	450 VE R
		439	32,5	65	21	d ₁ + 24	d ₁ + 115	50 ± 12	R	450 VRME R
455	460	444	32,5	65	30	d ₁ + 24	d ₁ + 115	50 ± 12	R	455 VE R
		444	32,5	65	21	d ₁ + 24	d ₁ + 115	50 ± 12	R	455 VRME R
460	465	448	32,5	65	30	d ₁ + 24	d ₁ + 115	50 ± 12	R	460 VE R
		448	32,5	65	21	d ₁ + 24	d ₁ + 115	50 ± 12	R	460 VRME R
465	470	453	32,5	65	30	d ₁ + 24	d ₁ + 115	50 ± 12	R	465 VE R
		453	32,5	65	21	d ₁ + 24	d ₁ + 115	50 ± 12	R	465 VRME R
470	475	458	32,5	65	30	d ₁ + 24	d ₁ + 115	50 ± 12	R	470 VE R
		458	32,5	65	21	d ₁ + 24	d ₁ + 115	50 ± 12	R	470 VRME R
475	480	463	32,5	65	30	d ₁ + 24	d ₁ + 115	50 ± 12	R	475 VE R
		463	32,5	65	21	d ₁ + 24	d ₁ + 115	50 ± 12	R	475 VRME R
475	510	450	6	10,5	6,5	d ₁ + 5	d ₁ + 20	8 ± 1,5	R	500 VL R
		450	6	10,5	6,5	d ₁ + 5	d ₁ + 20	8 ± 1,5	V	500 VL V
510	540	472	6	10,5	6,5	d ₁ + 5	d ₁ + 20	8 ± 1,5	R	525 VL R
		472	6	10,5	6,5	d ₁ + 5	d ₁ + 20	8 ± 1,5	V	525 VL V
480	530	450	14,3	25	15	d ₁ + 10	d ₁ + 45	20 ± 4	R	500 VA R
		450	14,3	25	15	d ₁ + 10	d ₁ + 45	20 ± 4	V	500 VA V
480	485	468	32,5	65	30	d ₁ + 24	d ₁ + 115	50 ± 12	R	480 VE R
		468	32,5	65	21	d ₁ + 24	d ₁ + 115	50 ± 12	R	480 VRME R
485	490	473	32,5	65	30	d ₁ + 24	d ₁ + 115	50 ± 12	R	485 VE R
		473	32,5	65	21	d ₁ + 24	d ₁ + 115	50 ± 12	R	485 VRME R
490	495	478	32,5	65	30	d ₁ + 24	d ₁ + 115	50 ± 12	R	490 VE R
		478	32,5	65	21	d ₁ + 24	d ₁ + 115	50 ± 12	R	490 VRME R
495	500	483	32,5	65	30	d ₁ + 24	d ₁ + 115	50 ± 12	R	495 VE R
		483	32,5	65	21	d ₁ + 24	d ₁ + 115	50 ± 12	R	495 VRME R
500	505	488	32,5	65	30	d ₁ + 24	d ₁ + 115	50 ± 12	R	500 VE R
		488	32,5	65	21	d ₁ + 24	d ₁ + 115	50 ± 12	R	500 VRME R
505	510	493	32,5	65	30	d ₁ + 24	d ₁ + 115	50 ± 12	R	505 VE R
		493	32,5	65	21	d ₁ + 24	d ₁ + 115	50 ± 12	R	505 VRME R
510	515	497	32,5	65	30	d ₁ + 24	d ₁ + 115	50 ± 12	R	510 VE R
		497	32,5	65	21	d ₁ + 24	d ₁ + 115	50 ± 12	R	510 VRME R
515	520	502	32,5	65	30	d ₁ + 24	d ₁ + 115	50 ± 12	R	515 VE R
		502	32,5	65	21	d ₁ + 24	d ₁ + 115	50 ± 12	R	515 VRME R
520	525	507	32,5	65	30	d ₁ + 24	d ₁ + 115	50 ± 12	R	520 VE R
		507	32,5	65	21	d ₁ + 24	d ₁ + 115	50 ± 12	R	520 VRME R
525	530	512	32,5	65	30	d ₁ + 24	d ₁ + 115	50 ± 12	R	525 VE R
		512	32,5	65	21	d ₁ + 24	d ₁ + 115	50 ± 12	R	525 VRME R
540	575	495	6	10,5	6,5	d ₁ + 5	d ₁ + 20	8 ± 1,5	R	550 VL R
		495	6	10,5	6,5	d ₁ + 5	d ₁ + 20	8 ± 1,5	V	550 VL V
530	580	495	14,3	25	15	d ₁ + 10	d ₁ + 45	20 ± 4	R	550 VA R
		495	14,3	25	15	d ₁ + 10	d ₁ + 45	20 ± 4	V	550 VA V
530	535	517	32,5	65	30	d ₁ + 24	d ₁ + 115	50 ± 12	R	530 VE R
		517	32,5	65	21	d ₁ + 24	d ₁ + 115	50 ± 12	R	530 VRME R
535	540	521	32,5	65	30	d ₁ + 24	d ₁ + 115	50 ± 12	R	535 VE R
		521	32,5	65	21	d ₁ + 24	d ₁ + 115	50 ± 12	R	535 VRME R

V-ring seals – metric dimensions, globally valid outside North American market

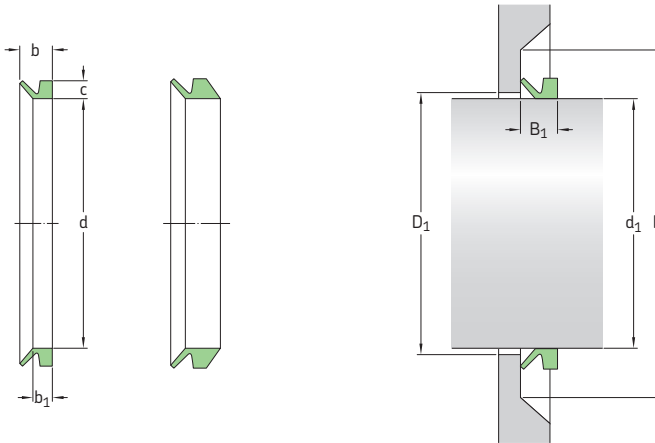
d_1 540 – 758 mm



Dimensions		Seal inside diameter, free state d	Seal seat width b_1	Nominal seal width b	Nominal seal height c	Clearance D_1 max	Counterface D min	Seal fitted width B_1	Lip code	Designation
Shaft diameter range d_1 over	incl.									
mm										
540	545	526	32,5	65	30	$d_1 + 24$	$d_1 + 115$	50 ± 12	R	540 VE R
		526	32,5	65	21	$d_1 + 24$	$d_1 + 115$	50 ± 12	R	540 VRME R
545	550	531	32,5	65	30	$d_1 + 24$	$d_1 + 115$	50 ± 12	R	545 VE R
		531	32,5	65	21	$d_1 + 24$	$d_1 + 115$	50 ± 12	R	545 VRME R
550	555	536	32,5	65	30	$d_1 + 24$	$d_1 + 115$	50 ± 12	R	550 VE R
		536	32,5	65	21	$d_1 + 24$	$d_1 + 115$	50 ± 12	R	550 VRME R
555	560	541	32,5	65	30	$d_1 + 24$	$d_1 + 115$	50 ± 12	R	555 VE R
		541	32,5	65	21	$d_1 + 24$	$d_1 + 115$	50 ± 12	R	555 VRME R
560	565	546	32,5	65	30	$d_1 + 24$	$d_1 + 115$	50 ± 12	R	560 VE R
		546	32,5	65	21	$d_1 + 24$	$d_1 + 115$	50 ± 12	R	560 VRME R
565	570	550	32,5	65	30	$d_1 + 24$	$d_1 + 115$	50 ± 12	R	565 VE R
		550	32,5	65	21	$d_1 + 24$	$d_1 + 115$	50 ± 12	R	565 VRME R
570	575	555	32,5	65	30	$d_1 + 24$	$d_1 + 115$	50 ± 12	R	570 VE R
		555	32,5	65	21	$d_1 + 24$	$d_1 + 115$	50 ± 12	R	570 VRME R
575	580	560	32,5	65	30	$d_1 + 24$	$d_1 + 115$	50 ± 12	R	575 VE R
		560	32,5	65	21	$d_1 + 24$	$d_1 + 115$	50 ± 12	R	575 VRME R
575	625	540	6	10,5	6,5	$d_1 + 5$	$d_1 + 20$	$8 \pm 1,5$	R	600 VL R
		540	6	10,5	6,5	$d_1 + 5$	$d_1 + 20$	$8 \pm 1,5$	V	600 VL V
580	630	540	14,3	25	15	$d_1 + 10$	$d_1 + 45$	20 ± 4	R	600 VA R
		540	14,3	25	15	$d_1 + 10$	$d_1 + 45$	20 ± 4	V	600 VA V
580	585	565	32,5	65	30	$d_1 + 24$	$d_1 + 115$	50 ± 12	R	580 VE R
		565	32,5	65	21	$d_1 + 24$	$d_1 + 115$	50 ± 12	R	580 VRME R
585	590	570	32,5	65	30	$d_1 + 24$	$d_1 + 115$	50 ± 12	R	585 VE R
		570	32,5	65	21	$d_1 + 24$	$d_1 + 115$	50 ± 12	R	585 VRME R
590	600	575	32,5	65	30	$d_1 + 24$	$d_1 + 115$	50 ± 12	R	590 VE R
		575	32,5	65	21	$d_1 + 24$	$d_1 + 115$	50 ± 12	R	590 VRME R
600	610	582	32,5	65	30	$d_1 + 24$	$d_1 + 115$	50 ± 12	R	600 VE R
		582	32,5	65	21	$d_1 + 24$	$d_1 + 115$	50 ± 12	R	600 VRME R

Dimensions		Seal inside diameter, free state d	Seal seat width b ₁	Nominal seal width b	Nominal seal height c	Clearance D ₁ max	Counterface D min	Seal fitted width B ₁	Lip code	Designation
Shaft diameter range d ₁ over	incl.									
mm										
610	620	592	32,5	65	30	d ₁ + 24	d ₁ + 115	50 ± 12	R	610 VE R
		592	32,5	65	21	d ₁ + 24	d ₁ + 115	50 ± 12	R	610 VRME R
620	630	602	32,5	65	30	d ₁ + 24	d ₁ + 115	50 ± 12	R	620 VE R
		602	32,5	65	21	d ₁ + 24	d ₁ + 115	50 ± 12	R	620 VRME R
615	675	600	6	10,5	6,5	d ₁ + 5	d ₁ + 20	8 ± 1,5	R	650 VL R
		600	6	10,5	6,5	d ₁ + 5	d ₁ + 20	8 ± 1,5	V	650 VL V
630	665	600	14,3	25	15	d ₁ + 10	d ₁ + 45	20 ± 4	R	650 VA R
		600	14,3	25	15	d ₁ + 10	d ₁ + 45	20 ± 4	V	650 VA V
630	640	612	32,5	65	30	d ₁ + 24	d ₁ + 115	50 ± 12	R	630 VE R
		612	32,5	65	21	d ₁ + 24	d ₁ + 115	50 ± 12	R	630 VRME R
640	650	621	32,5	65	30	d ₁ + 24	d ₁ + 115	50 ± 12	R	640 VE R
		621	32,5	65	21	d ₁ + 24	d ₁ + 115	50 ± 12	R	640 VRME R
650	660	631	32,5	65	30	d ₁ + 24	d ₁ + 115	50 ± 12	R	650 VE R
		631	32,5	65	21	d ₁ + 24	d ₁ + 115	50 ± 12	R	650 VRME R
660	670	640	32,5	65	30	d ₁ + 24	d ₁ + 115	50 ± 12	R	660 VE R
		640	32,5	65	21	d ₁ + 24	d ₁ + 115	50 ± 12	R	660 VRME R
675	710	630	6	10,5	6,5	d ₁ + 5	d ₁ + 20	8 ± 1,5	R	700 VL R
		630	6	10,5	6,5	d ₁ + 5	d ₁ + 20	8 ± 1,5	V	700 VL V
665	705	630	14,3	25	15	d ₁ + 10	d ₁ + 45	20 ± 4	R	700 VA R
		630	14,3	25	15	d ₁ + 10	d ₁ + 45	20 ± 4	V	700 VA V
670	680	650	32,5	65	30	d ₁ + 24	d ₁ + 115	50 ± 12	R	670 VE R
		650	32,5	65	21	d ₁ + 24	d ₁ + 115	50 ± 12	R	670 VRME R
680	690	660	32,5	65	30	d ₁ + 24	d ₁ + 115	50 ± 12	R	680 VE R
		660	32,5	65	21	d ₁ + 24	d ₁ + 115	50 ± 12	R	680 VRME R
690	700	670	32,5	65	30	d ₁ + 24	d ₁ + 115	50 ± 12	R	690 VE R
		670	32,5	65	21	d ₁ + 24	d ₁ + 115	50 ± 12	R	690 VRME R
700	710	680	32,5	65	30	d ₁ + 24	d ₁ + 115	50 ± 12	R	700 VE R
		680	32,5	65	21	d ₁ + 24	d ₁ + 115	50 ± 12	R	700 VRME R
710	740	670	6	10,5	6,5	d ₁ + 5	d ₁ + 20	8 ± 1,5	R	725 VL R
		670	6	10,5	6,5	d ₁ + 5	d ₁ + 20	8 ± 1,5	V	725 VL V
705	745	670	14,3	25	15	d ₁ + 10	d ₁ + 45	20 ± 4	R	725 VA R
		670	14,3	25	15	d ₁ + 10	d ₁ + 45	20 ± 4	V	725 VA V
710	720	689	32,5	65	30	d ₁ + 24	d ₁ + 115	50 ± 12	R	710 VE R
		689	32,5	65	21	d ₁ + 24	d ₁ + 115	50 ± 12	R	710 VRME R
720	730	699	32,5	65	30	d ₁ + 24	d ₁ + 115	50 ± 12	R	720 VE R
		699	32,5	65	21	d ₁ + 24	d ₁ + 115	50 ± 12	R	720 VRME R
730	740	709	32,5	65	30	d ₁ + 24	d ₁ + 115	50 ± 12	R	730 VE R
		709	32,5	65	21	d ₁ + 24	d ₁ + 115	50 ± 12	R	730 VRME R
740	750	718	32,5	65	30	d ₁ + 24	d ₁ + 115	50 ± 12	R	740 VE R
		718	32,5	65	21	d ₁ + 24	d ₁ + 115	50 ± 12	R	740 VRME R
740	775	705	6	10,5	6,5	d ₁ + 5	d ₁ + 20	8 ± 1,5	R	750 VL R
		705	6	10,5	6,5	d ₁ + 5	d ₁ + 20	8 ± 1,5	V	750 VL V
745	785	705	14,3	25	15	d ₁ + 10	d ₁ + 45	20 ± 4	R	750 VA R
		705	14,3	25	15	d ₁ + 10	d ₁ + 45	20 ± 4	V	750 VA V
750	758	728	32,5	65	30	d ₁ + 24	d ₁ + 115	50 ± 12	R	750 VE R
		728	32,5	65	21	d ₁ + 24	d ₁ + 115	50 ± 12	R	750 VRME R

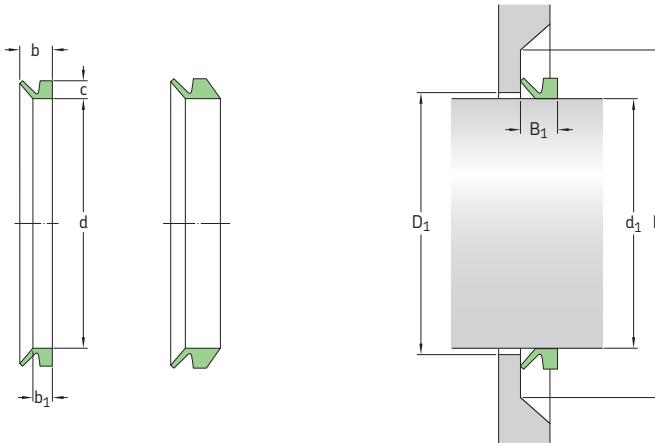
V-ring seals – metric dimensions, globally valid outside North American market
d₁ 758 – 1 065 mm



Dimensions		Seal inside diameter, free state d	Seal seat width b ₁	Nominal seal width b	Nominal seal height c	Clearance D ₁ max	Counterface D min	Seal fitted width B ₁	Lip code	Designation
Shaft diameter range d ₁ over	incl.									
mm										
758	766	735	32,5	65	30	d ₁ + 24	d ₁ + 115	50 ± 12	R	760 VE R 760 VRME R
		735	32,5	65	21	d ₁ + 24	d ₁ + 115	50 ± 12	R	
766	774	743	32,5	65	30	d ₁ + 24	d ₁ + 115	50 ± 12	R	770 VE R 770 VRME R
		743	32,5	65	21	d ₁ + 24	d ₁ + 115	50 ± 12	R	
774	783	751	32,5	65	30	d ₁ + 24	d ₁ + 115	50 ± 12	R	780 VE R 780 VRME R
		751	32,5	65	21	d ₁ + 24	d ₁ + 115	50 ± 12	R	
783	792	759	32,5	65	30	d ₁ + 24	d ₁ + 115	50 ± 12	R	790 VE R 790 VRME R
		759	32,5	65	21	d ₁ + 24	d ₁ + 115	50 ± 12	R	
775	825	745	6	10,5	6,5	d ₁ + 5	d ₁ + 20	8 ± 1,5	R	800 VL R 800 VL V
		745	6	10,5	6,5	d ₁ + 5	d ₁ + 20	8 ± 1,5	V	
785	830	745	14,3	25	15	d ₁ + 10	d ₁ + 45	20 ± 4	R	800 VA R 800 VA V
		745	14,3	25	15	d ₁ + 10	d ₁ + 45	20 ± 4	V	
792	801	768	32,5	65	30	d ₁ + 24	d ₁ + 115	50 ± 12	R	800 VE R 800 VRME R
		768	32,5	65	21	d ₁ + 24	d ₁ + 115	50 ± 12	R	
801	810	777	32,5	65	30	d ₁ + 24	d ₁ + 115	50 ± 12	R	810 VE R 810 VRME R
		777	32,5	65	21	d ₁ + 24	d ₁ + 115	50 ± 12	R	
810	821	786	32,5	65	30	d ₁ + 24	d ₁ + 115	50 ± 12	R	820 VE R 820 VRME R
		786	32,5	65	21	d ₁ + 24	d ₁ + 115	50 ± 12	R	
821	831	796	32,5	65	30	d ₁ + 24	d ₁ + 115	50 ± 12	R	830 VE R 830 VRME R
		796	32,5	65	21	d ₁ + 24	d ₁ + 115	50 ± 12	R	
825	875	785	6	10,5	6,5	d ₁ + 5	d ₁ + 20	8 ± 1,5	R	850 VL R 850 VL V
		785	6	10,5	6,5	d ₁ + 5	d ₁ + 20	8 ± 1,5	V	
830	875	785	14,3	25	15	d ₁ + 10	d ₁ + 45	20 ± 4	R	850 VA R 850 VA V
		785	14,3	25	15	d ₁ + 10	d ₁ + 45	20 ± 4	V	
831	841	805	32,5	65	30	d ₁ + 24	d ₁ + 115	50 ± 12	R	840 VE R 840 VRME R
		805	32,5	65	21	d ₁ + 24	d ₁ + 115	50 ± 12	R	
841	851	814	32,5	65	30	d ₁ + 24	d ₁ + 115	50 ± 12	R	850 VE R 850 VRME R
		814	32,5	65	21	d ₁ + 24	d ₁ + 115	50 ± 12	R	

Dimensions		Seal inside diameter, free state d	Seal seat width b ₁	Nominal seal width b	Nominal seal height c	Clearance D ₁ max	Counterface D min	Seal fitted width B ₁	Lip code	Designation
Shaft diameter range d ₁ over	incl.									
mm										
851	861	824 824	32,5 32,5	65 65	30 21	d ₁ +24 d ₁ +24	d ₁ +115 d ₁ +115	50 ± 12 50 ± 12	R R	860 VE R 860 VRME R
861	871	833 833	32,5 32,5	65 65	30 21	d ₁ +24 d ₁ +24	d ₁ +115 d ₁ +115	50 ± 12 50 ± 12	R R	870 VE R 870 VRME R
871	882	843 843	32,5 32,5	65 65	30 21	d ₁ +24 d ₁ +24	d ₁ +115 d ₁ +115	50 ± 12 50 ± 12	R R	880 VE R 880 VRME R
875	925	825 825	6 6	10,5 10,5	6,5 6,5	d ₁ +5 d ₁ +5	d ₁ +20 d ₁ +20	8 ± 1,5 8 ± 1,5	R V	900 VL R 900 VL V
875	920	825 825	14,3 14,3	25 25	15 15	d ₁ +10 d ₁ +10	d ₁ +45 d ₁ +45	20 ± 4 20 ± 4	R V	900 VA R 900 VA V
882	892	853 853	32,5 32,5	65 65	30 21	d ₁ +24 d ₁ +24	d ₁ +115 d ₁ +115	50 ± 12 50 ± 12	R R	890 VE R 890 VRME R
892	912	871 871	32,5 32,5	65 65	30 21	d ₁ +24 d ₁ +24	d ₁ +115 d ₁ +115	50 ± 12 50 ± 12	R R	900 VE R 900 VRME R
912	922	880 880	32,5 32,5	65 65	30 21	d ₁ +24 d ₁ +24	d ₁ +115 d ₁ +115	50 ± 12 50 ± 12	R R	920 VE R 920 VRME R
925	975	865 865	6 6	10,5 10,5	6,5 6,5	d ₁ +5 d ₁ +5	d ₁ +20 d ₁ +20	8 ± 1,5 8 ± 1,5	R V	950 VL R 950 VL V
920	965	865 865	14,3 14,3	25 25	15 15	d ₁ +10 d ₁ +10	d ₁ +45 d ₁ +45	20 ± 4 20 ± 4	R V	950 VA R 950 VA V
922	933	890 890	32,5 32,5	65 65	30 21	d ₁ +24 d ₁ +24	d ₁ +115 d ₁ +115	50 ± 12 50 ± 12	R R	930 VE R 930 VRME R
933	944	900 900	32,5 32,5	65 65	30 21	d ₁ +24 d ₁ +24	d ₁ +115 d ₁ +115	50 ± 12 50 ± 12	R R	940 VE R 940 VRME R
944	955	911 911	32,5 32,5	65 65	30 21	d ₁ +24 d ₁ +24	d ₁ +115 d ₁ +115	50 ± 12 50 ± 12	R R	950 VE R 950 VRME R
955	966	921 921	32,5 32,5	65 65	30 21	d ₁ +24 d ₁ +24	d ₁ +115 d ₁ +115	50 ± 12 50 ± 12	R R	960 VE R 960 VRME R
975	1025	910 910	6 6	10,5 10,5	6,5 6,5	d ₁ +5 d ₁ +5	d ₁ +20 d ₁ +20	8 ± 1,5 8 ± 1,5	R V	1000 VL R 1000 VL V
965	1015	910 910	14,3 14,3	25 25	15 15	d ₁ +10 d ₁ +10	d ₁ +45 d ₁ +45	20 ± 4 20 ± 4	R V	1000 VA R 1000 VA V
966	977	932 932	32,5 32,5	65 65	30 21	d ₁ +24 d ₁ +24	d ₁ +115 d ₁ +115	50 ± 12 50 ± 12	R R	970 VE R 970 VRME R
977	988	942 942	32,5 32,5	65 65	30 21	d ₁ +24 d ₁ +24	d ₁ +115 d ₁ +115	50 ± 12 50 ± 12	R R	980 VE R 980 VRME R
988	999	953 953	32,5 32,5	65 65	30 21	d ₁ +24 d ₁ +24	d ₁ +115 d ₁ +115	50 ± 12 50 ± 12	R R	990 VE R 990 VRME R
999	1 010	963 963	32,5 32,5	65 65	30 21	d ₁ +24 d ₁ +24	d ₁ +115 d ₁ +115	50 ± 12 50 ± 12	R R	1000 VE R 1000 VRME R
1 010	1 025	973 973	32,5 32,5	65 65	30 21	d ₁ +24 d ₁ +24	d ₁ +115 d ₁ +115	50 ± 12 50 ± 12	R R	1020 VE R 1020 VRME R
1 025	1 075	955 955	6 6	10,5 10,5	6,5 6,5	d ₁ +5 d ₁ +5	d ₁ +20 d ₁ +20	8 ± 1,5 8 ± 1,5	R V	1050 VL R 1050 VL V
1 015	1 065	955	14,3	25	15	d ₁ +10	d ₁ +45	20 ± 4	R	1050 VA R

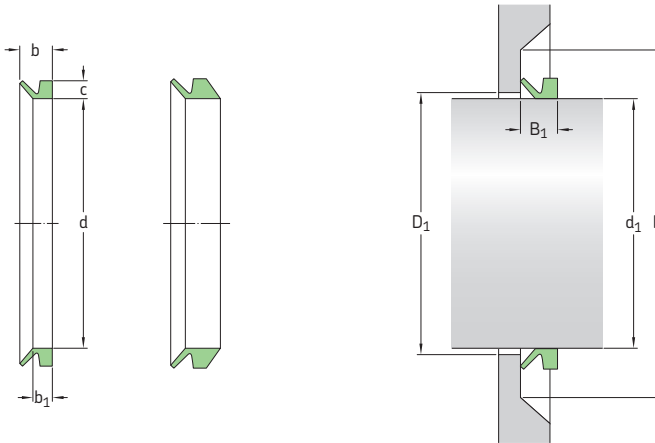
V-ring seals – metric dimensions, globally valid outside North American market
d₁ 1 025 – 1 515 mm



Dimensions		Seal inside diameter, free state d	Seal seat width b ₁	Nominal seal width b	Nominal seal height c	Clearance D ₁ max	Counterface D min	Seal fitted width B ₁	Lip code	Designation
Shaft diameter range d ₁ over	incl.									
mm										
1 025	1 045	990	32,5	65	30	d ₁ + 24	d ₁ + 115	50 ± 12	R	1040 VE R
		990	32,5	65	21	d ₁ + 24	d ₁ + 115	50 ± 12	R	1040 VRME R
1 045	1 065	1 008	32,5	65	30	d ₁ + 24	d ₁ + 115	50 ± 12	R	1060 VE R
		1 008	32,5	65	21	d ₁ + 24	d ₁ + 115	50 ± 12	R	1060 VRME R
1 075	1 125	1 000	6	10,5	6,5	d ₁ + 5	d ₁ + 20	8 ± 1,5	R	1100 VL R
		1 000	6	10,5	6,5	d ₁ + 5	d ₁ + 20	8 ± 1,5	V	1100 VL V
1 065	1 115	1 000	14,3	25	15	d ₁ + 10	d ₁ + 45	20 ± 4	R	1100 VA R
1 065	1 085	1 027	32,5	65	30	d ₁ + 24	d ₁ + 115	50 ± 12	R	1080 VE R
		1 027	32,5	65	21	d ₁ + 24	d ₁ + 115	50 ± 12	R	1080 VRME R
1 085	1 105	1 045	32,5	65	30	d ₁ + 24	d ₁ + 115	50 ± 12	R	1100 VE R
		1 045	32,5	65	21	d ₁ + 24	d ₁ + 115	50 ± 12	R	1100 VRME R
1 105	1 125	1 065	32,5	65	30	d ₁ + 24	d ₁ + 115	50 ± 12	R	1120 VE R
		1 065	32,5	65	21	d ₁ + 24	d ₁ + 115	50 ± 12	R	1120 VRME R
1 125	1 175	1 045	6	10,5	6,5	d ₁ + 5	d ₁ + 20	8 ± 1,5	R	1150 VL R
		1 045	6	10,5	6,5	d ₁ + 5	d ₁ + 20	8 ± 1,5	V	1150 VL V
1 115	1 165	1 045	14,3	25	15	d ₁ + 10	d ₁ + 45	20 ± 4	R	1150 VA R
1 125	1 145	1 084	32,5	65	30	d ₁ + 24	d ₁ + 115	50 ± 12	R	1140 VE R
		1 084	32,5	65	21	d ₁ + 24	d ₁ + 115	50 ± 12	R	1140 VRME R
1 145	1 165	1 103	32,5	65	30	d ₁ + 24	d ₁ + 115	50 ± 12	R	1160 VE R
		1 103	32,5	65	21	d ₁ + 24	d ₁ + 115	50 ± 12	R	1160 VRME R
1 175	1 225	1 090	6	10,5	6,5	d ₁ + 5	d ₁ + 20	8 ± 1,5	R	1200 VL R
		1 090	6	10,5	6,5	d ₁ + 5	d ₁ + 20	8 ± 1,5	V	1200 VL V
1 165	1 215	1 090	14,3	25	15	d ₁ + 10	d ₁ + 45	20 ± 4	R	1200 VA R
1 165	1 185	1 121	32,5	65	30	d ₁ + 24	d ₁ + 115	50 ± 12	R	1180 VE R
		1 121	32,5	65	21	d ₁ + 24	d ₁ + 115	50 ± 12	R	1180 VRME R
1 185	1 205	1 139	32,5	65	30	d ₁ + 24	d ₁ + 115	50 ± 12	R	1200 VE R
		1 139	32,5	65	21	d ₁ + 24	d ₁ + 115	50 ± 12	R	1200 VRME R

Dimensions		Seal inside diameter, free state d	Seal seat width b ₁	Nominal seal width b	Nominal seal height c	Clearance D ₁ max	Counterface D min	Seal fitted width B ₁	Lip code	Designation
Shaft diameter range d ₁ over	incl.									
mm										
1 205	1 225	1 157 1 157	32,5 32,5	65 65	30 21	d ₁ + 24 d ₁ + 24	d ₁ + 115 d ₁ + 115	50 ± 12 50 ± 12	R R	1220 VE R 1220 VRME R
1 225	1 275	1 135 1 135	6 6	10,5 10,5	6,5 6,5	d ₁ + 5 d ₁ + 5	d ₁ + 20 d ₁ + 20	8 ± 1,5 8 ± 1,5	R V	1250 VL R 1250 VL V
1 215	1 270	1 135	14,3	25	15	d ₁ + 10	d ₁ + 45	20 ± 4	R	1250 VA R
1 225	1 245	1 176 1 176	32,5 32,5	65 65	30 21	d ₁ + 24 d ₁ + 24	d ₁ + 115 d ₁ + 115	50 ± 12 50 ± 12	R R	1240 VE R 1240 VRME R
1 245	1 270	1 195 1 195	32,5 32,5	65 65	30 21	d ₁ + 24 d ₁ + 24	d ₁ + 115 d ₁ + 115	50 ± 12 50 ± 12	R R	1260 VE R 1260 VRME R
1 270	1 295	1 218 1 218	32,5 32,5	65 65	30 21	d ₁ + 24 d ₁ + 24	d ₁ + 115 d ₁ + 115	50 ± 12 50 ± 12	R R	1280 VE R 1280 VRME R
1 275	1 325	1 180 1 180	6 6	10,5 10,5	6,5 6,5	d ₁ + 5 d ₁ + 5	d ₁ + 20 d ₁ + 20	8 ± 1,5 8 ± 1,5	R V	1300 VL R 1300 VL V
1 270	1 320	1 180	14,3	25	15	d ₁ + 10	d ₁ + 45	20 ± 4	R	1300 VA R
1 295	1 315	1 240 1 240	32,5 32,5	65 65	30 21	d ₁ + 24 d ₁ + 24	d ₁ + 115 d ₁ + 115	50 ± 12 50 ± 12	R R	1300 VE R 1300 VRME R
1 315	1 340	1 259 1 259	32,5 32,5	65 65	30 21	d ₁ + 24 d ₁ + 24	d ₁ + 115 d ₁ + 115	50 ± 12 50 ± 12	R R	1325 VE R 1325 VRME R
1 325	1 375	1 225 1 225	6 6	10,5 10,5	6,5 6,5	d ₁ + 5 d ₁ + 5	d ₁ + 20 d ₁ + 20	8 ± 1,5 8 ± 1,5	R V	1350 VL R 1350 VL V
1 320	1 370	1 225	14,3	25	15	d ₁ + 10	d ₁ + 45	20 ± 4	R	1350 VA R
1 340	1 365	1 281 1 281	32,5 32,5	65 65	30 21	d ₁ + 24 d ₁ + 24	d ₁ + 115 d ₁ + 115	50 ± 12 50 ± 12	R R	1350 VE R 1350 VRME R
1 365	1 390	1 305 1 305	32,5 32,5	65 65	30 21	d ₁ + 24 d ₁ + 24	d ₁ + 115 d ₁ + 115	50 ± 12 50 ± 12	R R	1375 VE R 1375 VRME R
1 375	1 425	1 270 1 270	6 6	10,5 10,5	6,5 6,5	d ₁ + 5 d ₁ + 5	d ₁ + 20 d ₁ + 20	8 ± 1,5 8 ± 1,5	R V	1400 VL R 1400 VL V
1 370	1 420	1 270	14,3	25	15	d ₁ + 10	d ₁ + 45	20 ± 4	R	1400 VA R
1 390	1 415	1 328 1 328	32,5 32,5	65 65	30 21	d ₁ + 24 d ₁ + 24	d ₁ + 115 d ₁ + 115	50 ± 12 50 ± 12	R R	1400 VE R 1400 VRME R
1 415	1 440	1 350 1 350	32,5 32,5	65 65	30 21	d ₁ + 24 d ₁ + 24	d ₁ + 115 d ₁ + 115	50 ± 12 50 ± 12	R R	1425 VE R 1425 VRME R
1 425	1 475	1 315 1 315	6 6	10,5 10,5	6,5 6,5	d ₁ + 5 d ₁ + 5	d ₁ + 20 d ₁ + 20	8 ± 1,5 8 ± 1,5	R V	1450 VL R 1450 VL V
1 420	1 470	1 315	14,3	25	15	d ₁ + 10	d ₁ + 45	20 ± 4	R	1450 VA R
1 440	1 465	1 374 1 374	32,5 32,5	65 65	30 21	d ₁ + 24 d ₁ + 24	d ₁ + 115 d ₁ + 115	50 ± 12 50 ± 12	R R	1450 VE R 1450 VRME R
1 465	1 490	1 397 1 397	32,5 32,5	65 65	30 21	d ₁ + 24 d ₁ + 24	d ₁ + 115 d ₁ + 115	50 ± 12 50 ± 12	R R	1475 VE R 1475 VRME R
1 475	1 525	1 360 1 360	6 6	10,5 10,5	6,5 6,5	d ₁ + 5 d ₁ + 5	d ₁ + 20 d ₁ + 20	8 ± 1,5 8 ± 1,5	R V	1500 VL R 1500 VL V
1 470	1 520	1 360	14,3	25	15	d ₁ + 10	d ₁ + 45	20 ± 4	R	1500 VA R
1 490	1 515	1 419 1 419	32,5 32,5	65 65	30 21	d ₁ + 24 d ₁ + 24	d ₁ + 115 d ₁ + 115	50 ± 12 50 ± 12	R R	1500 VE R 1500 VRME R

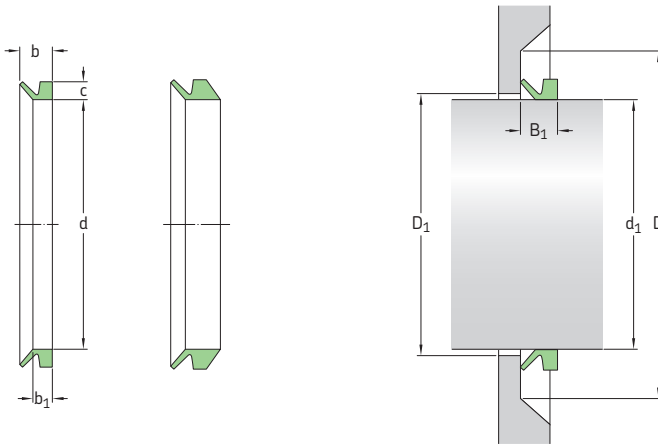
V-ring seals – metric dimensions, globally valid outside North American market
d₁ 1 515 – 2 020 mm



Dimensions		Seal inside diameter, free state d	Seal seat width b ₁	Nominal seal width b	Nominal seal height c	Clearance D ₁ max	Counterface D min	Seal fitted width B ₁	Lip code	Designation
Shaft diameter range d ₁ over	incl.									
mm										
1515	1540	1443	32,5	65	30	d ₁ + 24	d ₁ + 115	50 ± 12	R	1525 VE R
		1443	32,5	65	21	d ₁ + 24	d ₁ + 115	50 ± 12	R	1525 VRME R
1525	1575	1405	6	10,5	6,5	d ₁ + 5	d ₁ + 20	8 ± 1,5	R	1550 VL R
		1405	6	10,5	6,5	d ₁ + 5	d ₁ + 20	8 ± 1,5	V	1550 VL V
1520	1570	1405	14,3	25	15	d ₁ + 10	d ₁ + 45	20 ± 4	R	1550 VA R
1540	1570	1467	32,5	65	30	d ₁ + 24	d ₁ + 115	50 ± 12	R	1550 VE R
		1467	32,5	65	21	d ₁ + 24	d ₁ + 115	50 ± 12	R	1550 VRME R
1570	1600	1495	32,5	65	30	d ₁ + 24	d ₁ + 115	50 ± 12	R	1575 VE R
		1495	32,5	65	21	d ₁ + 24	d ₁ + 115	50 ± 12	R	1575 VRME R
1575	1625	1450	6	10,5	6,5	d ₁ + 5	d ₁ + 20	8 ± 1,5	R	1600 VL R
		1450	6	10,5	6,5	d ₁ + 5	d ₁ + 20	8 ± 1,5	V	1600 VL V
1570	1620	1450	14,3	25	15	d ₁ + 10	d ₁ + 45	20 ± 4	R	1600 VA R
1600	1640	1524	32,5	65	30	d ₁ + 24	d ₁ + 115	50 ± 12	R	1600 VE R
		1524	32,5	65	21	d ₁ + 24	d ₁ + 115	50 ± 12	R	1600 VRME R
1625	1675	1495	6	10,5	6,5	d ₁ + 5	d ₁ + 20	8 ± 1,5	R	1650 VL R
		1495	6	10,5	6,5	d ₁ + 5	d ₁ + 20	8 ± 1,5	V	1650 VL V
1620	1670	1495	14,3	25	15	d ₁ + 10	d ₁ + 45	20 ± 4	R	1650 VA R
1640	1680	1559	32,5	65	30	d ₁ + 24	d ₁ + 115	50 ± 12	R	1650 VE R
		1559	32,5	65	21	d ₁ + 24	d ₁ + 115	50 ± 12	R	1650 VRME R
1675	1725	1540	6	10,5	6,5	d ₁ + 5	d ₁ + 20	8 ± 1,5	R	1700 VL R
		1540	6	10,5	6,5	d ₁ + 5	d ₁ + 20	8 ± 1,5	V	1700 VL V
1670	1720	1540	14,3	25	15	d ₁ + 10	d ₁ + 45	20 ± 4	R	1700 VA R
1680	1720	1596	32,5	65	30	d ₁ + 24	d ₁ + 115	50 ± 12	R	1700 VE R
		1596	32,5	65	21	d ₁ + 24	d ₁ + 115	50 ± 12	R	1700 VRME R
1725	1775	1585	6	10,5	6,5	d ₁ + 5	d ₁ + 20	8 ± 1,5	R	1750 VL R
		1585	6	10,5	6,5	d ₁ + 5	d ₁ + 20	8 ± 1,5	V	1750 VL V
1720	1770	1585	14,3	25	15	d ₁ + 10	d ₁ + 45	20 ± 4	R	1750 VA R

Dimensions		Seal inside diameter, free state d	Seal seat width b ₁	Nominal seal width b	Nominal seal height c	Clearance D ₁ max	Counterface D min	Seal fitted width B ₁	Lip code	Designation
Shaft diameter range d ₁ over	incl.									
mm										
1720	1765	1632	32,5	65	30	d ₁ +24	d ₁ +115	50 ± 12	R	1750 VE R
		1632	32,5	65	21	d ₁ +24	d ₁ +115	50 ± 12	R	1750 VRME R
1765	1810	1671	32,5	65	30	d ₁ +24	d ₁ +115	50 ± 12	R	1800 VE R
		1671	32,5	65	21	d ₁ +24	d ₁ +115	50 ± 12	R	1800 VRME R
1775	1825	1630	6	10,5	6,5	d ₁ +5	d ₁ +20	8 ± 1,5	R	1800 VL R
		1630	6	10,5	6,5	d ₁ +5	d ₁ +20	8 ± 1,5	V	1800 VL V
1770	1820	1630	14,3	25	15	d ₁ +10	d ₁ +45	20 ± 4	R	1800 VA R
1810	1855	1714	32,5	65	30	d ₁ +24	d ₁ +115	50 ± 12	R	1850 VE R
		1714	32,5	65	21	d ₁ +24	d ₁ +115	50 ± 12	R	1850 VRME R
1825	1875	1675	6	10,5	6,5	d ₁ +5	d ₁ +20	8 ± 1,5	R	1850 VL R
		1675	6	10,5	6,5	d ₁ +5	d ₁ +20	8 ± 1,5	V	1850 VL V
1820	1870	1675	14,3	25	15	d ₁ +10	d ₁ +45	20 ± 4	R	1850 VA R
1855	1905	1753	32,5	65	30	d ₁ +24	d ₁ +115	50 ± 12	R	1900 VE R
		1753	32,5	65	21	d ₁ +24	d ₁ +115	50 ± 12	R	1900 VRME R
1875	1925	1720	6	10,5	6,5	d ₁ +5	d ₁ +20	8 ± 1,5	R	1900 VL R
		1720	6	10,5	6,5	d ₁ +5	d ₁ +20	8 ± 1,5	V	1900 VL V
1870	1920	1720	14,3	25	15	d ₁ +10	d ₁ +45	20 ± 4	R	1900 VA R
1905	1955	1794	32,5	65	30	d ₁ +24	d ₁ +115	50 ± 12	R	1950 VE R
		1794	32,5	65	21	d ₁ +24	d ₁ +115	50 ± 12	R	1950 VRME R
1925	1975	1765	6	10,5	6,5	d ₁ +5	d ₁ +20	8 ± 1,5	R	1950 VL R
		1765	6	10,5	6,5	d ₁ +5	d ₁ +20	8 ± 1,5	V	1950 VL V
1920	1970	1765	14,3	25	15	d ₁ +10	d ₁ +45	20 ± 4	R	1950 VA R
1955	2010	1844	32,5	65	30	d ₁ +24	d ₁ +115	50 ± 12	R	2000 VE R
		1844	32,5	65	21	d ₁ +24	d ₁ +115	50 ± 12	R	2000 VRME R
1975	2025	1810	6	10,5	6,5	d ₁ +5	d ₁ +20	8 ± 1,5	R	2000 VL R
		1810	6	10,5	6,5	d ₁ +5	d ₁ +20	8 ± 1,5	V	2000 VL V
1970	2020	1810	14,3	25	15	d ₁ +10	d ₁ +45	20 ± 4	R	2000 VA R

V-ring seals – inch dimensions, globally valid outside North American market
d₁ 0.11 – 2.09 in.

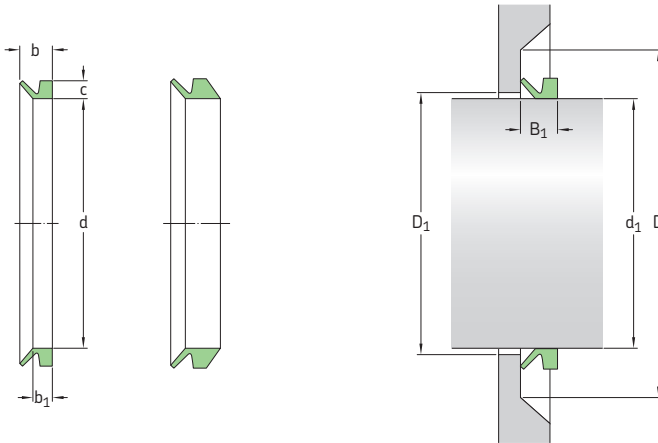


Dimensions		Seal inside diameter, free state d	Nominal seal height c	Seal seat width b ₁	Nominal seal width b	Clearance D ₁ (= d ₁ +) max	Counter-face D (= d ₁ +) min	Seal fitted width B ₁	Lip code	Designation
Shaft diameter range d ₁ over	incl.									
in.		in.								
0.11	0.14	0.10	0.06	0.08	0.12	0.04	0.16	0.10 ± 0.012	R	3 VA R
		0.10	0.06	0.08	0.12	0.04	0.16	0.10 ± 0.012	V	3 VA V
0.14	0.18	0.13	0.08	0.09	0.15	0.04	0.24	0.12 ± 0.016	R	4 VA R
		0.13	0.08	0.09	0.15	0.04	0.24	0.12 ± 0.016	V	4 VA V
0.18	0.22	0.16	0.08	0.09	0.15	0.04	0.24	0.12 ± 0.016	R	5 VA R
		0.16	0.08	0.09	0.15	0.04	0.24	0.12 ± 0.016	V	5 VA V
		0.16	0.08	0.15	0.20	0.04	0.24	0.18 ± 0.016	R	5 VS R
		0.16	0.08	0.15	0.20	0.04	0.24	0.18 ± 0.016	V	5 VS V
0.22	0.26	0.20	0.08	0.09	0.15	0.04	0.24	0.12 ± 0.016	R	6 VA R
		0.20	0.08	0.09	0.15	0.04	0.24	0.12 ± 0.016	V	6 VA V
		0.20	0.08	0.15	0.20	0.04	0.24	0.18 ± 0.016	R	6 VS R
		0.20	0.08	0.15	0.20	0.04	0.24	0.18 ± 0.016	V	6 VS V
0.26	0.31	0.24	0.08	0.09	0.15	0.04	0.24	0.12 ± 0.016	R	7 VA R
		0.24	0.08	0.09	0.15	0.04	0.24	0.12 ± 0.016	V	7 VA V
		0.24	0.08	0.15	0.20	0.04	0.24	0.18 ± 0.016	R	7 VS R
		0.24	0.08	0.15	0.20	0.04	0.24	0.18 ± 0.016	V	7 VS V
0.31	0.37	0.28	0.08	0.09	0.15	0.04	0.24	0.12 ± 0.016	R	8 VA R
		0.28	0.08	0.09	0.15	0.04	0.24	0.12 ± 0.016	V	8 VA V
		0.28	0.08	0.15	0.20	0.04	0.24	0.18 ± 0.016	R	8 VS R
		0.28	0.08	0.15	0.20	0.04	0.24	0.18 ± 0.016	V	8 VS V
0.37	0.45	0.35	0.12	0.13	0.22	0.04	0.35	0.18 ± 0.02	R	10 VA R
		0.35	0.12	0.13	0.22	0.04	0.35	0.18 ± 0.02	V	10 VA V
		0.35	0.12	0.22	0.30	0.04	0.35	0.26 ± 0.02	R	10 VS R
		0.35	0.12	0.22	0.30	0.04	0.35	0.26 ± 0.02	V	10 VS V
0.45	0.49	0.41	0.12	0.13	0.22	0.04	0.35	0.18 ± 0.02	R	12 VA R
		0.41	0.12	0.13	0.22	0.04	0.35	0.18 ± 0.02	V	12 VA V
0.45	0.53	0.41	0.12	0.22	0.30	0.04	0.35	0.26 ± 0.02	R	12 VS R
		0.41	0.12	0.22	0.30	0.04	0.35	0.26 ± 0.02	V	12 VS V
0.49	0.53	0.46	0.12	0.13	0.22	0.04	0.35	0.18 ± 0.02	R	13 VA R
		0.46	0.12	0.13	0.22	0.04	0.35	0.18 ± 0.02	V	13 VA V
0.53	0.61	0.49	0.12	0.13	0.22	0.04	0.35	0.18 ± 0.02	R	14 VA R
		0.49	0.12	0.13	0.22	0.04	0.35	0.18 ± 0.02	V	14 VA V

Dimensions		Seal inside diameter, free state d	Nominal seal height c	Seal seat width b ₁	Nominal seal width b	Clearance D ₁ (= d ₁ +) max	Counter-face D (= d ₁ +) min	Seal fitted width B ₁	Lip code	Designation
Shaft diameter range d ₁ over	incl.									
in.		in.								
0.53 cont.	0.61	0.49	0.12	0.22	0.30	0.04	0.35	0.26 ± 0.02	R	14 VS R
		0.49	0.12	0.22	0.30	0.04	0.35	0.26 ± 0.02	V	14 VS V
0.61	0.67	0.55	0.12	0.13	0.22	0.04	0.35	0.18 ± 0.02	R	16 VA R
		0.55	0.12	0.13	0.22	0.04	0.35	0.18 ± 0.02	V	16 VA V
0.61	0.69	0.55	0.12	0.22	0.30	0.04	0.35	0.26 ± 0.02	R	16 VS R
		0.55	0.12	0.22	0.30	0.04	0.35	0.26 ± 0.02	V	16 VS V
0.69	0.75	0.63	0.12	0.13	0.22	0.04	0.35	0.18 ± 0.02	R	18 VA R
		0.63	0.12	0.13	0.22	0.04	0.35	0.18 ± 0.02	V	18 VA V
		0.63	0.12	0.22	0.30	0.04	0.35	0.26 ± 0.02	R	18 VS R
		0.63	0.12	0.22	0.30	0.04	0.35	0.26 ± 0.02	V	18 VS V
0.75	0.83	0.71	0.16	0.19	0.30	0.08	0.47	0.24 ± 0.03	R	20 VA R
		0.71	0.16	0.19	0.30	0.08	0.47	0.24 ± 0.03	V	20 VA V
		0.71	0.16	0.31	0.41	0.08	0.47	0.35 ± 0.03	R	20 VS R
		0.71	0.16	0.31	0.41	0.08	0.47	0.35 ± 0.03	V	20 VS V
0.83	0.94	0.79	0.16	0.19	0.30	0.08	0.47	0.24 ± 0.03	R	22 VA R
		0.79	0.16	0.19	0.30	0.08	0.47	0.24 ± 0.03	V	22 VA V
		0.79	0.16	0.31	0.41	0.08	0.47	0.35 ± 0.03	R	22 VS R
		0.79	0.16	0.31	0.41	0.08	0.47	0.35 ± 0.03	V	22 VS V
0.94	1.06	0.87	0.16	0.19	0.30	0.08	0.47	0.24 ± 0.03	R	25 VA R
		0.87	0.16	0.19	0.30	0.08	0.47	0.24 ± 0.03	V	25 VA V
		0.87	0.16	0.31	0.41	0.08	0.47	0.35 ± 0.03	R	25 VS R
		0.87	0.16	0.31	0.41	0.08	0.47	0.35 ± 0.03	V	25 VS V
1.06	1.14	0.98	0.16	0.19	0.30	0.08	0.47	0.24 ± 0.03	R	28 VA R
		0.98	0.16	0.19	0.30	0.08	0.47	0.24 ± 0.03	V	28 VA V
		0.98	0.16	0.31	0.41	0.08	0.47	0.35 ± 0.03	R	28 VS R
		0.98	0.16	0.31	0.41	0.08	0.47	0.35 ± 0.03	V	28 VS V
1.14	1.22	1.06	0.16	0.19	0.30	0.08	0.47	0.24 ± 0.03	R	30 VA R
		1.06	0.16	0.19	0.30	0.08	0.47	0.24 ± 0.03	V	30 VA V
		1.06	0.16	0.31	0.41	0.08	0.47	0.35 ± 0.03	R	30 VS R
		1.06	0.16	0.31	0.41	0.08	0.47	0.35 ± 0.03	V	30 VS V
1.22	1.30	1.14	0.16	0.19	0.30	0.08	0.47	0.24 ± 0.03	R	32 VA R
		1.14	0.16	0.19	0.30	0.08	0.47	0.24 ± 0.03	V	32 VA V
		1.14	0.16	0.31	0.41	0.08	0.47	0.35 ± 0.03	R	32 VS R
		1.14	0.16	0.31	0.41	0.08	0.47	0.35 ± 0.03	V	32 VS V
1.30	1.42	1.22	0.16	0.19	0.30	0.08	0.47	0.24 ± 0.03	R	35 VA R
		1.22	0.16	0.19	0.30	0.08	0.47	0.24 ± 0.03	V	35 VA V
		1.22	0.16	0.31	0.41	0.08	0.47	0.35 ± 0.03	R	35 VS R
		1.22	0.16	0.31	0.41	0.08	0.47	0.35 ± 0.03	V	35 VS V
1.42	1.50	1.34	0.16	0.19	0.30	0.08	0.47	0.24 ± 0.03	R	38 VA R
		1.34	0.16	0.19	0.30	0.08	0.47	0.24 ± 0.03	V	38 VA V
		1.34	0.16	0.31	0.41	0.08	0.47	0.35 ± 0.03	R	38 VS R
		1.34	0.16	0.31	0.41	0.08	0.47	0.35 ± 0.03	V	38 VS V
1.50	1.69	1.42	0.20	0.22	0.35	0.08	0.59	0.28 ± 0.04	R	40 VA R
		1.42	0.20	0.22	0.35	0.08	0.59	0.28 ± 0.04	V	40 VA V
		1.42	0.20	0.37	0.51	0.08	0.59	0.43 ± 0.04	R	40 VS R
		1.42	0.20	0.37	0.51	0.08	0.59	0.43 ± 0.04	V	40 VS V
1.69	1.89	1.57	0.20	0.22	0.35	0.08	0.59	0.28 ± 0.04	R	45 VA R
		1.57	0.20	0.22	0.35	0.08	0.59	0.28 ± 0.04	V	45 VA V
		1.57	0.20	0.37	0.51	0.08	0.59	0.43 ± 0.04	R	45 VS R
		1.57	0.20	0.37	0.51	0.08	0.59	0.43 ± 0.04	V	45 VS V
1.89	2.09	1.77	0.20	0.22	0.35	0.08	0.59	0.28 ± 0.04	R	50 VA R
		1.77	0.20	0.22	0.35	0.08	0.59	0.28 ± 0.04	V	50 VA V
		1.77	0.20	0.37	0.51	0.08	0.59	0.43 ± 0.04	R	50 VS R
		1.77	0.20	0.37	0.51	0.08	0.59	0.43 ± 0.04	V	50 VS V

V-ring seals – inch dimensions, globally valid outside North American market

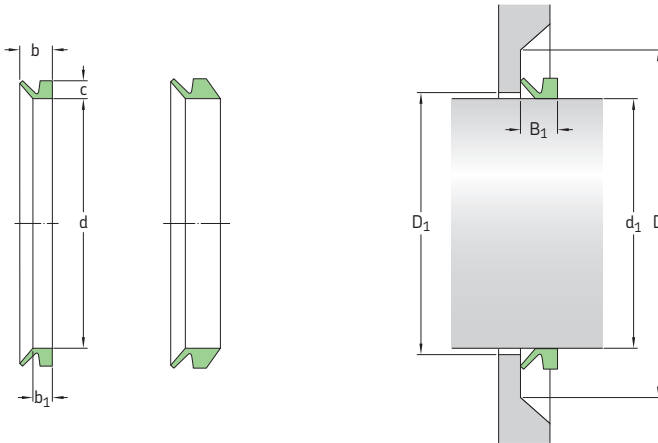
d_1 2.09 – 7.68 in.



Dimensions		Seal inside diameter, free state d	Nominal seal height c	Seal seat width b_1	Nominal seal width b	Clearance $D_1 (= d_1 +)$ max	Counter-face $D (= d_1 +)$ min	Seal fitted width B_1	Lip code	Designation
Shaft diameter range d_1 over	incl.									
in.		in.							-	-
2.09	2.28	1.93	0.20	0.22	0.35	0.08	0.59	0.28 ± 0.04	R	55 VA R
		1.93	0.20	0.22	0.35	0.08	0.59	0.28 ± 0.04	V	55 VA V
		1.93	0.20	0.37	0.51	0.08	0.59	0.43 ± 0.04	R	55 VS R
		1.93	0.20	0.37	0.51	0.08	0.59	0.43 ± 0.04	V	55 VS V
2.28	2.48	2.13	0.20	0.22	0.35	0.08	0.59	0.28 ± 0.04	R	60 VA R
		2.13	0.20	0.22	0.35	0.08	0.59	0.28 ± 0.04	V	60 VA V
		2.13	0.20	0.37	0.51	0.08	0.59	0.43 ± 0.04	R	60 VS R
		2.13	0.20	0.37	0.51	0.08	0.59	0.43 ± 0.04	V	60 VS V
2.48	2.68	2.28	0.20	0.22	0.35	0.08	0.59	0.28 ± 0.04	R	65 VA R
		2.28	0.20	0.22	0.35	0.08	0.59	0.28 ± 0.04	V	65 VA V
		2.28	0.20	0.37	0.51	0.08	0.59	0.43 ± 0.04	R	65 VS R
		2.28	0.20	0.37	0.51	0.08	0.59	0.43 ± 0.04	V	65 VS V
2.68	2.87	2.48	0.24	0.27	0.43	0.12	0.71	0.35 ± 0.05	R	70 VA R
		2.48	0.24	0.27	0.43	0.12	0.71	0.35 ± 0.05	V	70 VA V
		2.48	0.24	0.44	0.61	0.12	0.71	0.53 ± 0.05	R	70 VS R
		2.48	0.24	0.44	0.61	0.12	0.71	0.53 ± 0.05	V	70 VS V
2.87	3.07	2.64	0.24	0.27	0.43	0.12	0.71	0.35 ± 0.05	R	75 VA R
		2.64	0.24	0.27	0.43	0.12	0.71	0.35 ± 0.05	V	75 VA V
		2.64	0.24	0.44	0.61	0.12	0.71	0.53 ± 0.05	R	75 VS R
		2.64	0.24	0.44	0.61	0.12	0.71	0.53 ± 0.05	V	75 VS V
3.07	3.27	2.83	0.24	0.27	0.43	0.12	0.71	0.35 ± 0.05	R	80 VA R
		2.83	0.24	0.27	0.43	0.12	0.71	0.35 ± 0.05	V	80 VA V
		2.83	0.24	0.44	0.61	0.12	0.71	0.53 ± 0.05	R	80 VS R
		2.83	0.24	0.44	0.61	0.12	0.71	0.53 ± 0.05	V	80 VS V
3.27	3.46	2.99	0.24	0.27	0.43	0.12	0.71	0.35 ± 0.05	R	85 VA R
		2.99	0.24	0.27	0.43	0.12	0.71	0.35 ± 0.05	V	85 VA V
		2.99	0.24	0.44	0.61	0.12	0.71	0.53 ± 0.05	R	85 VS R
		2.99	0.24	0.44	0.61	0.12	0.71	0.53 ± 0.05	V	85 VS V
3.46	3.66	3.19	0.24	0.27	0.43	0.12	0.71	0.35 ± 0.05	R	90 VA R
		3.19	0.24	0.27	0.43	0.12	0.71	0.35 ± 0.05	V	90 VA V
		3.19	0.24	0.44	0.61	0.12	0.71	0.53 ± 0.05	R	90 VS R
		3.19	0.24	0.44	0.61	0.12	0.71	0.53 ± 0.05	V	90 VS V
3.66	3.86	3.35	0.24	0.27	0.43	0.12	0.71	0.35 ± 0.05	R	95 VA R
		3.35	0.24	0.27	0.43	0.12	0.71	0.35 ± 0.05	V	95 VA V
		3.35	0.24	0.44	0.61	0.12	0.71	0.53 ± 0.05	R	95 VS R
		3.35	0.24	0.44	0.61	0.12	0.71	0.53 ± 0.05	V	95 VS V

Dimensions		Seal inside diameter, free state d	Nominal seal height c	Seal seat width b ₁	Nominal seal width b	Clearance D ₁ (= d ₁ + max)	Counter-face D (= d ₁ + min)	Seal fitted width B ₁	Lip code	Designation
Shaft diameter range d ₁ over	incl.									
in.		in.								
3.86	4.13	3.54	0.24	0.27	0.43	0.12	0.71	0.35 ± 0.05	R	100 VA R
		3.54	0.24	0.27	0.43	0.12	0.71	0.35 ± 0.05	V	100 VA V
		3.54	0.24	0.44	0.61	0.12	0.71	0.53 ± 0.05	R	100 VS R
		3.54	0.24	0.44	0.61	0.12	0.71	0.53 ± 0.05	V	100 VS V
4.13	4.53	3.90	0.26	0.24	0.41	0.20	0.79	0.31 ± 0.06	R	110 VL R
		3.90	0.26	0.24	0.41	0.20	0.79	0.31 ± 0.06	V	110 VL V
		3.90	0.28	0.31	0.50	0.16	0.83	0.41 ± 0.06	R	110 VA R
		3.90	0.28	0.31	0.50	0.16	0.83	0.41 ± 0.06	V	110 VA V
		3.90	0.28	0.52	0.71	0.16	0.83	0.61 ± 0.06	R	110 VS R
		3.90	0.28	0.52	0.71	0.16	0.83	0.61 ± 0.06	V	110 VS V
4.53	4.92	4.25	0.26	0.24	0.41	0.20	0.79	0.31 ± 0.06	R	120 VL R
		4.25	0.26	0.24	0.41	0.20	0.79	0.31 ± 0.06	V	120 VL V
		4.25	0.28	0.31	0.50	0.16	0.83	0.41 ± 0.06	R	120 VA R
		4.25	0.28	0.31	0.50	0.16	0.83	0.41 ± 0.06	V	120 VA V
		4.25	0.28	0.52	0.71	0.16	0.83	0.61 ± 0.06	R	120 VS R
		4.25	0.28	0.52	0.71	0.16	0.83	0.61 ± 0.06	V	120 VS V
4.92	5.31	4.61	0.26	0.24	0.41	0.20	0.79	0.31 ± 0.06	R	130 VL R
		4.61	0.26	0.24	0.41	0.20	0.79	0.31 ± 0.06	V	130 VL V
		4.61	0.28	0.31	0.50	0.16	0.83	0.41 ± 0.06	R	130 VA R
		4.61	0.28	0.31	0.50	0.16	0.83	0.41 ± 0.06	V	130 VA V
		4.61	0.28	0.52	0.71	0.16	0.83	0.61 ± 0.06	R	130 VS R
		4.61	0.28	0.52	0.71	0.16	0.83	0.61 ± 0.06	V	130 VS V
5.31	5.71	4.96	0.26	0.24	0.41	0.20	0.79	0.31 ± 0.06	R	140 VL R
		4.96	0.26	0.24	0.41	0.20	0.79	0.31 ± 0.06	V	140 VL V
		4.96	0.28	0.31	0.50	0.16	0.83	0.41 ± 0.06	R	140 VA R
		4.96	0.28	0.31	0.50	0.16	0.83	0.41 ± 0.06	V	140 VA V
		4.96	0.28	0.52	0.71	0.16	0.83	0.61 ± 0.06	R	140 VS R
		4.96	0.28	0.52	0.71	0.16	0.83	0.61 ± 0.06	V	140 VS V
5.71	6.10	5.31	0.26	0.24	0.41	0.20	0.79	0.31 ± 0.06	R	150 VL R
		5.31	0.26	0.24	0.41	0.20	0.79	0.31 ± 0.06	V	150 VL V
		5.31	0.28	0.31	0.50	0.16	0.83	0.41 ± 0.06	R	150 VA R
		5.31	0.28	0.31	0.50	0.16	0.83	0.41 ± 0.06	V	150 VA V
		5.31	0.28	0.52	0.71	0.16	0.83	0.61 ± 0.06	R	150 VS R
		5.31	0.28	0.52	0.71	0.16	0.83	0.61 ± 0.06	V	150 VS V
6.10	6.50	5.67	0.26	0.24	0.41	0.20	0.79	0.31 ± 0.06	R	160 VL R
		5.67	0.26	0.24	0.41	0.20	0.79	0.31 ± 0.06	V	160 VL V
		5.67	0.31	0.35	0.57	0.16	0.94	0.47 ± 0.07	R	160 VA R
		5.67	0.31	0.35	0.57	0.16	0.94	0.47 ± 0.07	V	160 VA V
		5.67	0.31	0.59	0.81	0.16	0.94	0.71 ± 0.07	R	160 VS R
		5.67	0.31	0.59	0.81	0.16	0.94	0.71 ± 0.07	V	160 VS V
6.50	6.89	6.02	0.26	0.24	0.41	0.20	0.79	0.31 ± 0.06	R	170 VL R
		6.02	0.26	0.24	0.41	0.20	0.79	0.31 ± 0.06	V	170 VL V
		6.02	0.31	0.35	0.57	0.16	0.94	0.47 ± 0.07	R	170 VA R
		6.02	0.31	0.35	0.57	0.16	0.94	0.47 ± 0.07	V	170 VA V
		6.02	0.31	0.59	0.81	0.16	0.94	0.71 ± 0.07	R	170 VS R
		6.02	0.31	0.59	0.81	0.16	0.94	0.71 ± 0.07	V	170 VS V
6.89	7.28	6.38	0.26	0.24	0.41	0.20	0.79	0.31 ± 0.06	R	180 VL R
		6.38	0.26	0.24	0.41	0.20	0.79	0.31 ± 0.06	V	180 VL V
		6.38	0.31	0.35	0.57	0.16	0.94	0.47 ± 0.07	R	180 VA R
		6.38	0.31	0.35	0.57	0.16	0.94	0.47 ± 0.07	V	180 VA V
		6.38	0.31	0.59	0.81	0.16	0.94	0.71 ± 0.07	R	180 VS R
		6.38	0.31	0.59	0.81	0.16	0.94	0.71 ± 0.07	V	180 VS V
7.28	7.68	6.73	0.26	0.24	0.41	0.20	0.79	0.31 ± 0.06	R	190 VL R
		6.73	0.26	0.24	0.41	0.20	0.79	0.31 ± 0.06	V	190 VL V
		6.73	0.31	0.35	0.57	0.16	0.94	0.47 ± 0.07	R	190 VA R
		6.73	0.31	0.35	0.57	0.16	0.94	0.47 ± 0.07	V	190 VA V
		6.73	0.31	0.59	0.81	0.16	0.94	0.71 ± 0.07	R	190 VS R
		6.73	0.31	0.59	0.81	0.16	0.94	0.71 ± 0.07	V	190 VS V

V-ring seals – inch dimensions, globally valid outside North American market
d₁ 7.48 – 15.55 in.

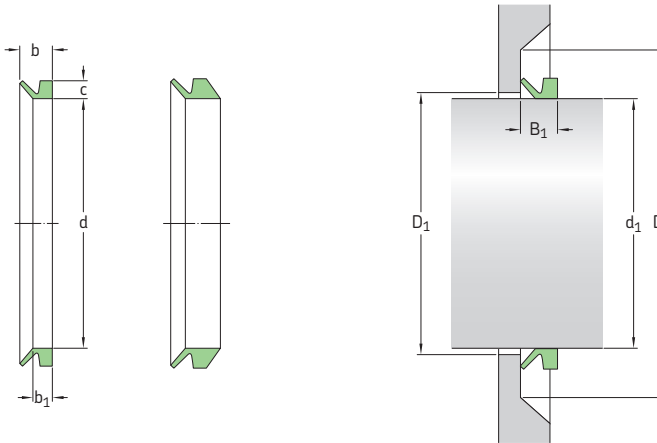


Dimensions		Seal inside diameter, free state d	Nominal seal height c	Seal seat width b ₁	Nominal seal width b	Clearance D ₁ (= d ₁ +) max	Counter-face D (= d ₁ +) min	Seal fitted width B ₁	Lip code	Designation
Shaft diameter range d ₁ over	incl.									
in.		in.								
7.68	8.27	7.17	0.26	0.24	0.41	0.20	0.79	0.31 ± 0.06	R	200 VL R
		7.17	0.26	0.24	0.41	0.20	0.79	0.31 ± 0.06	V	200 VL V
		7.09	0.31	0.35	0.57	0.16	0.94	0.47 ± 0.07	R	199 VA R
		7.09	0.31	0.35	0.57	0.16	0.94	0.47 ± 0.07	V	199 VA V
		7.09	0.31	0.59	0.81	0.16	0.94	0.71 ± 0.07	R	199 VS R
		7.09	0.31	0.59	0.81	0.16	0.94	0.71 ± 0.07	V	199 VS V
7.48	8.27	7.09	0.59	0.56	0.98	0.39	1.77	0.79 ± 0.16	R	200 VA R
		7.09	0.59	0.56	0.98	0.39	1.77	0.79 ± 0.16	V	200 VA V
8.27	9.17	7.80	0.26	0.24	0.41	0.20	0.79	0.31 ± 0.06	R	220 VL R
		7.80	0.26	0.24	0.41	0.20	0.79	0.31 ± 0.06	V	220 VL V
		7.80	0.59	0.56	0.98	0.39	1.77	0.79 ± 0.16	R	220 VA R
		7.80	0.59	0.56	0.98	0.39	1.77	0.79 ± 0.16	V	220 VA V
9.17	10.24	8.86	0.26	0.24	0.41	0.20	0.79	0.31 ± 0.06	R	250 VL R
		8.86	0.26	0.24	0.41	0.20	0.79	0.31 ± 0.06	V	250 VL V
9.25	10.43	8.86	0.59	0.56	0.98	0.39	1.77	0.79 ± 0.16	R	250 VA R
		8.86	0.59	0.56	0.98	0.39	1.77	0.79 ± 0.16	V	250 VA V
10.24	11.22	9.72	0.26	0.24	0.41	0.20	0.79	0.31 ± 0.06	R	275 VL R
		9.72	0.26	0.24	0.41	0.20	0.79	0.31 ± 0.06	V	275 VL V
10.43	11.42	9.72	0.59	0.56	0.98	0.39	1.77	0.79 ± 0.16	R	275 VA R
		9.72	0.59	0.56	0.98	0.39	1.77	0.79 ± 0.16	V	275 VA V
11.22	12.20	10.63	0.26	0.24	0.41	0.20	0.79	0.31 ± 0.06	R	300 VL R
		10.63	0.26	0.24	0.41	0.20	0.79	0.31 ± 0.06	V	300 VL V
11.42	12.20	10.63	0.59	0.56	0.98	0.39	1.77	0.79 ± 0.16	R	300 VA R
		10.63	0.59	0.56	0.98	0.39	1.77	0.79 ± 0.16	V	300 VA V
11.81	12.01	11.57	1.18	1.28	2.56	0.94	4.53	1.97 ± 0.47	R	300 VE R
		11.57	0.83	1.28	2.56	0.94	4.53	1.97 ± 0.47	R	300 VRME R
12.01	12.20	11.77	1.18	1.28	2.56	0.94	4.53	1.97 ± 0.47	R	305 VE R
		11.77	0.83	1.28	2.56	0.94	4.53	1.97 ± 0.47	R	305 VRME R
12.20	13.19	11.50	0.26	0.24	0.41	0.20	0.79	0.31 ± 0.06	R	325 VL R
		11.50	0.26	0.24	0.41	0.20	0.79	0.31 ± 0.06	V	325 VL V
		11.50	0.59	0.56	0.98	0.39	1.77	0.79 ± 0.16	R	325 VA R

Dimensions		Seal inside diameter, free state d	Nominal seal height c	Seal seat width b ₁	Nominal seal width b	Clearance D ₁ (= d ₁ + max)	Counter-face D (= d ₁ + min)	Seal fitted width B ₁	Lip code	Designation
Shaft diameter range d ₁ over	incl.									
in.		in.							-	-
12.20 cont.	13.19	11.50	0.59	0.56	0.98	0.39	1.77	0.79 ± 0.16	V	325 VA V
		11.97	1.18	1.28	2.56	0.94	4.53	1.97 ± 0.47	R	310 VE R
		11.97	0.83	1.28	2.56	0.94	4.53	1.97 ± 0.47	R	310 VRME R
12.40	12.60	12.17	1.18	1.28	2.56	0.94	4.53	1.97 ± 0.47	R	315 VE R
		12.17	0.83	1.28	2.56	0.94	4.53	1.97 ± 0.47	R	315 VRME R
12.60	12.80	12.36	1.18	1.28	2.56	0.94	4.53	1.97 ± 0.47	R	320 VE R
		12.36	0.83	1.28	2.56	0.94	4.53	1.97 ± 0.47	R	320 VRME R
12.80	12.99	12.56	1.18	1.28	2.56	0.94	4.53	1.97 ± 0.47	R	325 VE R
		12.56	0.83	1.28	2.56	0.94	4.53	1.97 ± 0.47	R	325 VRME R
12.99	13.19	12.72	1.18	1.28	2.56	0.94	4.53	1.97 ± 0.47	R	330 VE R
		12.72	0.83	1.28	2.56	0.94	4.53	1.97 ± 0.47	R	330 VRME R
13.19	14.37	12.40	0.26	0.24	0.41	0.20	0.79	0.31 ± 0.06	R	350 VL R
		12.40	0.26	0.24	0.41	0.20	0.79	0.31 ± 0.06	V	350 VL V
		12.40	0.59	0.56	0.98	0.39	1.77	0.79 ± 0.16	R	350 VA R
		12.40	0.59	0.56	0.98	0.39	1.77	0.79 ± 0.16	V	350 VA V
13.19	13.39	12.91	1.18	1.28	2.56	0.94	4.53	1.97 ± 0.47	R	335 VE R
		12.91	0.83	1.28	2.56	0.94	4.53	1.97 ± 0.47	R	335 VRME R
13.39	13.58	13.11	1.18	1.28	2.56	0.94	4.53	1.97 ± 0.47	R	340 VE R
		12.91	0.83	1.28	2.56	0.94	4.53	1.97 ± 0.47	R	340 VRME R
13.58	13.78	13.31	1.18	1.28	2.56	0.94	4.53	1.97 ± 0.47	R	345 VE R
		13.31	0.83	1.28	2.56	0.94	4.53	1.97 ± 0.47	R	345 VRME R
13.78	13.98	13.50	1.18	1.28	2.56	0.94	4.53	1.97 ± 0.47	R	350 VE R
		13.50	0.83	1.28	2.56	0.94	4.53	1.97 ± 0.47	R	350 VRME R
13.98	14.17	13.66	1.18	1.28	2.56	0.94	4.53	1.97 ± 0.47	R	355 VE R
		13.66	0.83	1.28	2.56	0.94	4.53	1.97 ± 0.47	R	355 VRME R
14.17	14.37	13.86	1.18	1.28	2.56	0.94	4.53	1.97 ± 0.47	R	360 VE R
		14.06	0.83	1.28	2.56	0.94	4.53	1.97 ± 0.47	R	360 VRME R
14.37	15.16	13.27	0.26	0.24	0.41	0.20	0.79	0.31 ± 0.06	R	375 VL R
		13.27	0.26	0.24	0.41	0.20	0.79	0.31 ± 0.06	V	375 VL V
14.37	15.35	13.27	0.59	0.56	0.98	0.39	1.77	0.79 ± 0.16	R	375 VA R
		13.27	0.59	0.56	0.98	0.39	1.77	0.79 ± 0.16	V	375 VA V
14.37	14.57	14.06	1.18	1.28	2.56	0.94	4.53	1.97 ± 0.47	R	365 VE R
14.57	14.76	14.25	1.18	1.28	2.56	0.94	4.53	1.97 ± 0.47	R	370 VE R
		14.25	0.83	1.28	2.56	0.94	4.53	1.97 ± 0.47	R	370 VRME R
14.76	14.96	14.45	1.18	1.28	2.56	0.94	4.53	1.97 ± 0.47	R	375 VE R
		14.45	0.83	1.28	2.56	0.94	4.53	1.97 ± 0.47	R	375 VRME R
14.96	15.16	14.61	1.18	1.28	2.56	0.94	4.53	1.97 ± 0.47	R	380 VE R
		14.61	0.83	1.28	2.56	0.94	4.53	1.97 ± 0.47	R	380 VRME R
15.16	16.14	14.17	0.26	0.24	0.41	0.20	0.79	0.31 ± 0.06	R	400 VL R
		14.17	0.26	0.24	0.41	0.20	0.79	0.31 ± 0.06	V	400 VL V
15.35	16.93	14.17	0.59	0.56	0.98	0.39	1.77	0.79 ± 0.16	R	400 VA R
		14.17	0.59	0.56	0.98	0.39	1.77	0.79 ± 0.16	V	400 VA V
15.16	15.35	14.80	1.18	1.28	2.56	0.94	4.53	1.97 ± 0.47	R	385 VE R
		14.80	0.83	1.28	2.56	0.94	4.53	1.97 ± 0.47	R	385 VRME R
15.35	15.55	15.00	1.18	1.28	2.56	0.94	4.53	1.97 ± 0.47	R	390 VE R
		15.00	0.83	1.28	2.56	0.94	4.53	1.97 ± 0.47	R	390 VRME R

V-ring seals – inch dimensions, globally valid outside North American market

d_1 15.55 – 21.26 in.

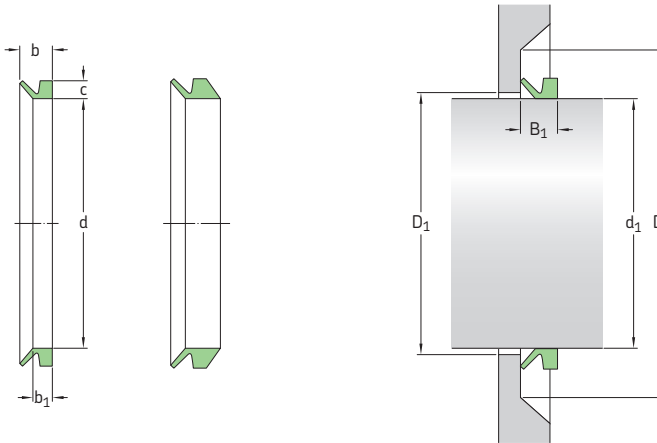


Dimensions		Seal inside diameter, free state d	Nominal seal height c	Seal seat width b_1	Nominal seal width b	Clearance $D_1 (= d_1 +)$ max	Counter-face $D (= d_1 +)$ min	Seal fitted width B_1	Lip code	Designation
Shaft diameter range d_1 over	incl.									
in.		in.								
15.55	15.75	15.20 15.20	1.18 0.83	1.28 1.28	2.56 2.56	0.94 0.94	4.53 4.53	1.97 ± 0.47 1.97 ± 0.47	R R	395 VE R 395 VRME R
15.75	15.94	15.39 15.39	1.18 0.83	1.28 1.28	2.56 2.56	0.94 0.94	4.53 4.53	1.97 ± 0.47 1.97 ± 0.47	R R	400 VE R 400 VRME R
15.94	16.14	15.59 15.59	1.18 0.83	1.28 1.28	2.56 2.56	0.94 0.94	4.53 4.53	1.97 ± 0.47 1.97 ± 0.47	R R	405 VE R 405 VRME R
16.14	16.34	15.79 15.79	1.18 0.83	1.28 1.28	2.56 2.56	0.94 0.94	4.53 4.53	1.97 ± 0.47 1.97 ± 0.47	R R	410 VE R 410 VRME R
16.34	16.54	15.94 15.94	1.18 0.83	1.28 1.28	2.56 2.56	0.94 0.94	4.53 4.53	1.97 ± 0.47 1.97 ± 0.47	R R	415 VE R 415 VRME R
16.54	16.73	16.14 16.14	1.18 0.83	1.28 1.28	2.56 2.56	0.94 0.94	4.53 4.53	1.97 ± 0.47 1.97 ± 0.47	R R	420 VE R 420 VRME R
16.73	16.93	16.34 16.34	1.18 0.83	1.28 1.28	2.56 2.56	0.94 0.94	4.53 4.53	1.97 ± 0.47 1.97 ± 0.47	R R	425 VE R 425 VRME R
16.14	17.32	15.04 15.04	0.26 0.26	0.24 0.24	0.41 0.41	0.20 0.20	0.79 0.79	0.31 ± 0.06 0.31 ± 0.06	R V	425 VL R 425 VL V
17.32	18.70	15.94 15.94	0.26 0.26	0.24 0.24	0.41 0.41	0.20 0.20	0.79 0.79	0.31 ± 0.06 0.31 ± 0.06	R V	450 VL R 450 VL V
16.93	18.90	15.94 15.94	0.59 0.59	0.56 0.56	0.98 0.98	0.39 0.39	1.77 1.77	0.79 ± 0.16 0.79 ± 0.16	R V	450 VA R 450 VA V
16.93	17.13	16.54 16.54	1.18 0.83	1.28 1.28	2.56 2.56	0.94 0.94	4.53 4.53	1.97 ± 0.47 1.97 ± 0.47	R R	430 VE R 430 VRME R
17.13	17.32	16.73 16.73	1.18 0.83	1.28 1.28	2.56 2.56	0.94 0.94	4.53 4.53	1.97 ± 0.47 1.97 ± 0.47	R R	435 VE R 435 VRME R
17.32	17.52	16.89 16.89	1.18 0.83	1.28 1.28	2.56 2.56	0.94 0.94	4.53 4.53	1.97 ± 0.47 1.97 ± 0.47	R R	440 VE R 440 VRME R
17.52	17.72	17.09 17.09	1.18 0.83	1.28 1.28	2.56 2.56	0.94 0.94	4.53 4.53	1.97 ± 0.47 1.97 ± 0.47	R R	445 VE R 445 VRME R

Dimensions		Seal inside diameter, free state d	Nominal seal height c	Seal seat width b ₁	Nominal seal width b	Clearance D ₁ (= d ₁ +) max	Counter-face D (= d ₁ +) min	Seal fitted width B ₁	Lip code	Designation
Shaft diameter range d ₁ over	incl.									
in.		in.								
17.72	17.91	17.28 17.28	1.18 0.83	1.28 1.28	2.56 2.56	0.94 0.94	4.53 4.53	1.97 ± 0.47 1.97 ± 0.47	R R	450 VE R 450 VRME R
17.91	18.11	17.48 17.48	1.18 0.83	1.28 1.28	2.56 2.56	0.94 0.94	4.53 4.53	1.97 ± 0.47 1.97 ± 0.47	R R	455 VE R 455 VRME R
18.11	18.31	17.64 17.64	1.18 0.83	1.28 1.28	2.56 2.56	0.94 0.94	4.53 4.53	1.97 ± 0.47 1.97 ± 0.47	R R	460 VE R 460 VRME R
18.31	18.50	17.83 17.83	1.18 0.83	1.28 1.28	2.56 2.56	0.94 0.94	4.53 4.53	1.97 ± 0.47 1.97 ± 0.47	R R	465 VE R 465 VRME R
18.50	18.70	18.03 18.03	1.18 0.83	1.28 1.28	2.56 2.56	0.94 0.94	4.53 4.53	1.97 ± 0.47 1.97 ± 0.47	R R	470 VE R 470 VRME R
18.70	18.90	18.23 18.23	1.18 0.83	1.28 1.28	2.56 2.56	0.94 0.94	4.53 4.53	1.97 ± 0.47 1.97 ± 0.47	R R	475 VE R 475 VRME R
18.70	20.08	17.72 17.72	0.26 0.26	0.24 0.24	0.41 0.41	0.20 0.20	0.79 0.79	0.31 ± 0.06 0.31 ± 0.06	R V	500 VL R 500 VL V
20.08	21.26	18.58 18.58	0.26 0.26	0.24 0.24	0.41 0.41	0.20 0.20	0.79 0.79	0.31 ± 0.06 0.31 ± 0.06	R V	525 VL R 525 VL V
18.90	20.87	17.72 17.72	0.59 0.59	0.56 0.56	0.98 0.98	0.39 0.39	1.77 1.77	0.79 ± 0.16 0.79 ± 0.16	R V	500 VA R 500 VA V
18.90	19.09	18.43 18.43	1.18 0.83	1.28 1.28	2.56 2.56	0.94 0.94	4.53 4.53	1.97 ± 0.47 1.97 ± 0.47	R R	480 VE R 480 VRME R
19.09	19.29	18.62 18.62	1.18 0.83	1.28 1.28	2.56 2.56	0.94 0.94	4.53 4.53	1.97 ± 0.47 1.97 ± 0.47	R R	485 VE R 485 VRME R
19.29	19.49	18.82 18.82	1.18 0.83	1.28 1.28	2.56 2.56	0.94 0.94	4.53 4.53	1.97 ± 0.47 1.97 ± 0.47	R R	490 VE R 490 VRME R
19.49	19.69	19.02 19.02	1.18 0.83	1.28 1.28	2.56 2.56	0.94 0.94	4.53 4.53	1.97 ± 0.47 1.97 ± 0.47	R R	495 VE R 495 VRME R
19.69	19.88	19.21 19.21	1.18 0.83	1.28 1.28	2.56 2.56	0.94 0.94	4.53 4.53	1.97 ± 0.47 1.97 ± 0.47	R R	500 VE R 500 VRME R
19.88	20.08	19.41 19.41	1.18 0.83	1.28 1.28	2.56 2.56	0.94 0.94	4.53 4.53	1.97 ± 0.47 1.97 ± 0.47	R R	505 VE R 505 VRME R
20.08	20.28	19.57 19.57	1.18 0.83	1.28 1.28	2.56 2.56	0.94 0.94	4.53 4.53	1.97 ± 0.47 1.97 ± 0.47	R R	510 VE R 510 VRME R
20.28	20.47	19.76 19.76	1.18 0.83	1.28 1.28	2.56 2.56	0.94 0.94	4.53 4.53	1.97 ± 0.47 1.97 ± 0.47	R R	515 VE R 515 VRME R
20.47	20.67	19.96 19.96	1.18 0.83	1.28 1.28	2.56 2.56	0.94 0.94	4.53 4.53	1.97 ± 0.47 1.97 ± 0.47	R R	520 VE R 520 VRME R
20.67	20.87	20.16 20.16	1.18 0.83	1.28 1.28	2.56 2.56	0.94 0.94	4.53 4.53	1.97 ± 0.47 1.97 ± 0.47	R R	525 VE R 525 VRME R
21.26	22.64	19.49 19.49	0.26 0.26	0.24 0.24	0.41 0.41	0.20 0.20	0.79 0.79	0.31 ± 0.06 0.31 ± 0.06	R V	550 VL R 550 VL V
20.87	22.83	19.49 19.49	0.59 0.59	0.56 0.56	0.98 0.98	0.39 0.39	1.77 1.77	0.79 ± 0.16 0.79 ± 0.16	R V	550 VA R 550 VA V
20.87	21.06	20.35 20.35	1.18 0.83	1.28 1.28	2.56 2.56	0.94 0.94	4.53 4.53	1.97 ± 0.47 1.97 ± 0.47	R R	530 VE R 530 VRME R
21.06	21.26	20.51 20.51	1.18 0.83	1.28 1.28	2.56 2.56	0.94 0.94	4.53 4.53	1.97 ± 0.47 1.97 ± 0.47	R R	535 VE R 535 VRME R

V-ring seals – inch dimensions, globally valid outside North American market

d_1 21.26 – 29.84 in.

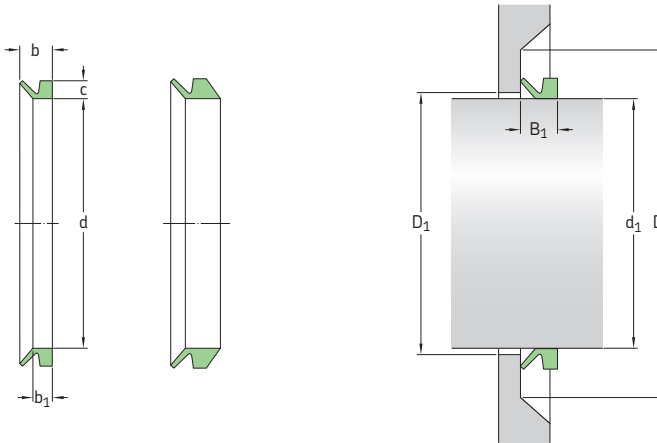


Dimensions		Seal inside diameter, free state d	Nominal seal height c	Seal seat width b_1	Nominal seal width b	Clearance $D_1 (= d_1 +)$ max	Counter-face $D (= d_1 +)$ min	Seal fitted width B_1	Lip code	Designation
Shaft diameter range d_1 over	incl.									
in.	in.	in.								
21.26	21.46	20.71 20.71	1.18 0.83	1.28 1.28	2.56 2.56	0.94 0.94	4.53 4.53	1.97 ± 0.47 1.97 ± 0.47	R R	540 VE R 540 VRME R
21.46	21.65	20.91 20.91	1.18 0.83	1.28 1.28	2.56 2.56	0.94 0.94	4.53 4.53	1.97 ± 0.47 1.97 ± 0.47	R R	545 VE R 545 VRME R
21.65	21.85	21.10 21.10	1.18 0.83	1.28 1.28	2.56 2.56	0.94 0.94	4.53 4.53	1.97 ± 0.47 1.97 ± 0.47	R R	550 VE R 550 VRME R
21.85	22.05	21.30 21.30	1.18 0.83	1.28 1.28	2.56 2.56	0.94 0.94	4.53 4.53	1.97 ± 0.47 1.97 ± 0.47	R R	555 VE R 555 VRME R
22.05	22.24	21.50 21.50	1.18 0.83	1.28 1.28	2.56 2.56	0.94 0.94	4.53 4.53	1.97 ± 0.47 1.97 ± 0.47	R R	560 VE R 560 VRME R
22.24	22.44	21.65 21.65	1.18 0.83	1.28 1.28	2.56 2.56	0.94 0.94	4.53 4.53	1.97 ± 0.47 1.97 ± 0.47	R R	565 VE R 565 VRME R
22.44	22.64	21.85 21.85	1.18 0.83	1.28 1.28	2.56 2.56	0.94 0.94	4.53 4.53	1.97 ± 0.47 1.97 ± 0.47	R R	570 VE R 570 VRME R
22.64	22.83	22.05 22.05	1.18 0.83	1.28 1.28	2.56 2.56	0.94 0.94	4.53 4.53	1.97 ± 0.47 1.97 ± 0.47	R R	575 VE R 575 VRME R
22.64	24.61	21.26 21.26	0.26 0.26	0.24 0.24	0.41 0.41	0.20 0.20	0.79 0.79	0.31 ± 0.06 0.31 ± 0.06	R V	600 VL R 600 VL V
22.83	24.80	21.26 21.26	0.59 0.59	0.56 0.56	0.98 0.98	0.39 0.39	1.77 1.77	0.79 ± 0.16 0.79 ± 0.16	R V	600 VA R 600 VA V
22.83	23.03	22.24 22.24	1.18 0.83	1.28 1.28	2.56 2.56	0.94 0.94	4.53 4.53	1.97 ± 0.47 1.97 ± 0.47	R R	580 VE R 580 VRME R
23.03	23.23	22.44 22.44	1.18 0.83	1.28 1.28	2.56 2.56	0.94 0.94	4.53 4.53	1.97 ± 0.47 1.97 ± 0.47	R R	585 VE R 585 VRME R
23.23	23.62	22.64 22.64	1.18 0.83	1.28 1.28	2.56 2.56	0.94 0.94	4.53 4.53	1.97 ± 0.47 1.97 ± 0.47	R R	590 VE R 590 VRME R
23.62	24.02	22.91 22.91	1.18 0.83	1.28 1.28	2.56 2.56	0.94 0.94	4.53 4.53	1.97 ± 0.47 1.97 ± 0.47	R R	600 VE R 600 VRME R

Dimensions		Seal inside diameter, free state d	Nominal seal height c	Seal seat width b ₁	Nominal seal width b	Clearance D ₁ (= d ₁ +) max	Counter-face D (= d ₁ +) min	Seal fitted width B ₁	Lip code	Designation
Shaft diameter range d ₁ over	incl.									
in.		in.							-	-
24.02	24.41	23.31	1.18	1.28	2.56	0.94	4.53	1.97 ± 0.47	R	610 VE R
		23.31	0.83	1.28	2.56	0.94	4.53	1.97 ± 0.47	R	610 VRME R
24.41	24.80	23.70	1.18	1.28	2.56	0.94	4.53	1.97 ± 0.47	R	620 VE R
		23.70	0.83	1.28	2.56	0.94	4.53	1.97 ± 0.47	R	620 VRME R
24.21	26.57	23.62	0.26	0.24	0.41	0.20	0.79	0.31 ± 0.06	R	650 VL R
		23.62	0.26	0.24	0.41	0.20	0.79	0.31 ± 0.06	V	650 VL V
24.80	26.18	23.62	0.59	0.56	0.98	0.39	1.77	0.79 ± 0.16	R	650 VA R
		23.62	0.59	0.56	0.98	0.39	1.77	0.79 ± 0.16	V	650 VA V
24.80	25.20	24.09	1.18	1.28	2.56	0.94	4.53	1.97 ± 0.47	R	630 VE R
		24.09	0.83	1.28	2.56	0.94	4.53	1.97 ± 0.47	R	630 VRME R
25.20	25.59	24.45	1.18	1.28	2.56	0.94	4.53	1.97 ± 0.47	R	640 VE R
		24.45	0.83	1.28	2.56	0.94	4.53	1.97 ± 0.47	R	640 VRME R
25.59	25.98	24.84	1.18	1.28	2.56	0.94	4.53	1.97 ± 0.47	R	650 VE R
		24.84	0.83	1.28	2.56	0.94	4.53	1.97 ± 0.47	R	650 VRME R
25.98	26.38	25.20	1.18	1.28	2.56	0.94	4.53	1.97 ± 0.47	R	660 VE R
		25.20	0.83	1.28	2.56	0.94	4.53	1.97 ± 0.47	R	660 VRME R
26.57	27.95	24.80	0.26	0.24	0.41	0.20	0.79	0.31 ± 0.06	R	700 VL R
		24.80	0.26	0.24	0.41	0.20	0.79	0.31 ± 0.06	V	700 VL V
26.18	27.76	24.80	0.59	0.56	0.98	0.39	1.77	0.79 ± 0.16	R	700 VA R
		24.80	0.59	0.56	0.98	0.39	1.77	0.79 ± 0.16	V	700 VA V
26.38	26.77	25.59	1.18	1.28	2.56	0.94	4.53	1.97 ± 0.47	R	670 VE R
		25.59	0.83	1.28	2.56	0.94	4.53	1.97 ± 0.47	R	670 VRME R
26.77	27.17	25.98	1.18	1.28	2.56	0.94	4.53	1.97 ± 0.47	R	680 VE R
		25.98	0.83	1.28	2.56	0.94	4.53	1.97 ± 0.47	R	680 VRME R
27.17	27.56	26.38	1.18	1.28	2.56	0.94	4.53	1.97 ± 0.47	R	690 VE R
		26.38	0.83	1.28	2.56	0.94	4.53	1.97 ± 0.47	R	690 VRME R
27.56	27.95	26.77	1.18	1.28	2.56	0.94	4.53	1.97 ± 0.47	R	700 VE R
		26.77	0.83	1.28	2.56	0.94	4.53	1.97 ± 0.47	R	700 VRME R
27.95	29.13	26.38	0.26	0.24	0.41	0.20	0.79	0.31 ± 0.06	R	725 VL R
		26.38	0.26	0.24	0.41	0.20	0.79	0.31 ± 0.06	V	725 VL V
27.76	29.33	26.38	0.59	0.56	0.98	0.39	1.77	0.79 ± 0.16	R	725 VA R
		26.38	0.59	0.56	0.98	0.39	1.77	0.79 ± 0.16	V	725 VA V
27.95	28.35	27.13	1.18	1.28	2.56	0.94	4.53	1.97 ± 0.47	R	710 VE R
		27.13	0.83	1.28	2.56	0.94	4.53	1.97 ± 0.47	R	710 VRME R
28.35	28.74	27.52	1.18	1.28	2.56	0.94	4.53	1.97 ± 0.47	R	720 VE R
		27.52	0.83	1.28	2.56	0.94	4.53	1.97 ± 0.47	R	720 VRME R
28.74	29.13	27.91	1.18	1.28	2.56	0.94	4.53	1.97 ± 0.47	R	730 VE R
		27.91	0.83	1.28	2.56	0.94	4.53	1.97 ± 0.47	R	730 VRME R
29.13	29.53	28.27	1.18	1.28	2.56	0.94	4.53	1.97 ± 0.47	R	740 VE R
		28.27	0.83	1.28	2.56	0.94	4.53	1.97 ± 0.47	R	740 VRME R
29.13	30.51	27.76	0.26	0.24	0.41	0.20	0.79	0.31 ± 0.06	R	750 VL R
		27.76	0.26	0.24	0.41	0.20	0.79	0.31 ± 0.06	V	750 VL V
29.33	30.91	27.76	0.59	0.56	0.98	0.39	1.77	0.79 ± 0.16	R	750 VA R
		27.76	0.59	0.56	0.98	0.39	1.77	0.79 ± 0.16	V	750 VA V
29.53	29.84	28.66	1.18	1.28	2.56	0.94	4.53	1.97 ± 0.47	R	750 VE R
		28.66	0.83	1.28	2.56	0.94	4.53	1.97 ± 0.47	R	750 VRME R

V-ring seals – inch dimensions, globally valid outside North American market

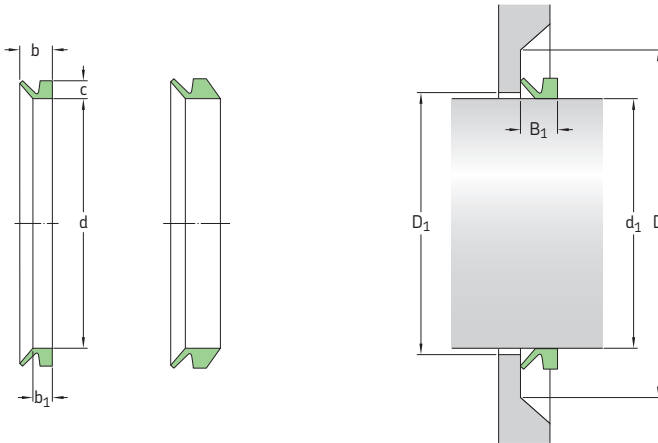
d_1 29.84 – 41.93 in.



Dimensions		Seal inside diameter, free state d	Nominal seal height c	Seal seat width b_1	Nominal seal width b	Clearance $D_1 (= d_1 +)$ max	Counter-face $D (= d_1 +)$ min	Seal fitted width B_1	Lip code	Designation
Shaft diameter range d_1 over	incl.									
in.		in.								
29.84	30.16	28.94	1.18	1.28	2.56	0.94	4.53	1.97 ± 0.47	R	760 VE R
		28.94	0.83	1.28	2.56	0.94	4.53	1.97 ± 0.47	R	760 VRME R
30.16	30.47	29.25	1.18	1.28	2.56	0.94	4.53	1.97 ± 0.47	R	770 VE R
		29.25	0.83	1.28	2.56	0.94	4.53	1.97 ± 0.47	R	770 VRME R
30.47	30.83	29.57	1.18	1.28	2.56	0.94	4.53	1.97 ± 0.47	R	780 VE R
		29.57	0.83	1.28	2.56	0.94	4.53	1.97 ± 0.47	R	780 VRME R
30.83	31.18	29.88	1.18	1.28	2.56	0.94	4.53	1.97 ± 0.47	R	790 VE R
		29.88	0.83	1.28	2.56	0.94	4.53	1.97 ± 0.47	R	790 VRME R
30.51	32.48	29.33	0.26	0.24	0.41	0.20	0.79	0.31 ± 0.06	R	800 VL R
		29.33	0.26	0.24	0.41	0.20	0.79	0.31 ± 0.06	V	800 VL V
30.91	32.68	29.33	0.59	0.56	0.98	0.39	1.77	0.79 ± 0.16	R	800 VA R
		29.33	0.59	0.56	0.98	0.39	1.77	0.79 ± 0.16	V	800 VA V
31.18	31.54	30.24	1.18	1.28	2.56	0.94	4.53	1.97 ± 0.47	R	800 VE R
		30.24	0.83	1.28	2.56	0.94	4.53	1.97 ± 0.47	R	800 VRME R
31.54	31.89	30.59	1.18	1.28	2.56	0.94	4.53	1.97 ± 0.47	R	810 VE R
		30.59	0.83	1.28	2.56	0.94	4.53	1.97 ± 0.47	R	810 VRME R
31.89	32.32	30.94	1.18	1.28	2.56	0.94	4.53	1.97 ± 0.47	R	820 VE R
		30.94	0.83	1.28	2.56	0.94	4.53	1.97 ± 0.47	R	820 VRME R
32.32	32.72	31.34	1.18	1.28	2.56	0.94	4.53	1.97 ± 0.47	R	830 VE R
		31.34	0.83	1.28	2.56	0.94	4.53	1.97 ± 0.47	R	830 VRME R
32.48	34.45	30.91	0.26	0.24	0.41	0.20	0.79	0.31 ± 0.06	R	850 VL R
		30.91	0.26	0.24	0.41	0.20	0.79	0.31 ± 0.06	V	850 VL V
32.68	34.45	30.91	0.59	0.56	0.98	0.39	1.77	0.79 ± 0.16	R	850 VA R
		30.91	0.59	0.56	0.98	0.39	1.77	0.79 ± 0.16	V	850 VA V
32.72	33.11	31.69	1.18	1.28	2.56	0.94	4.53	1.97 ± 0.47	R	840 VE R
		31.69	0.83	1.28	2.56	0.94	4.53	1.97 ± 0.47	R	840 VRME R
33.11	33.50	32.05	1.18	1.28	2.56	0.94	4.53	1.97 ± 0.47	R	850 VE R
		32.05	0.83	1.28	2.56	0.94	4.53	1.97 ± 0.47	R	850 VRME R

Dimensions		Seal inside diameter, free state d	Nominal seal height c	Seal seat width b ₁	Nominal seal width b	Clearance D ₁ (= d ₁ +) max	Counter-face D (= d ₁ +) min	Seal fitted width B ₁	Lip code	Designation
Shaft diameter range d ₁ over	incl.									
in.		in.							-	-
33.50	33.90	32.44 32.44	1.18 0.83	1.28 1.28	2.56 2.56	0.94 0.94	4.53 4.53	1.97 ± 0.47 1.97 ± 0.47	R R	860 VE R 860 VRME R
33.90	34.29	32.80 32.80	1.18 0.83	1.28 1.28	2.56 2.56	0.94 0.94	4.53 4.53	1.97 ± 0.47 1.97 ± 0.47	R R	870 VE R 870 VRME R
34.29	34.72	33.19 33.19	1.18 0.83	1.28 1.28	2.56 2.56	0.94 0.94	4.53 4.53	1.97 ± 0.47 1.97 ± 0.47	R R	880 VE R 880 VRME R
34.45	36.42	32.48 32.48	0.26 0.26	0.24 0.24	0.41 0.41	0.20 0.20	0.79 0.79	0.31 ± 0.06 0.31 ± 0.06	R V	900 VL R 900 VL V
34.45	36.22	32.48 32.48	0.59 0.59	0.56 0.56	0.98 0.98	0.39 0.39	1.77 1.77	0.79 ± 0.16 0.79 ± 0.16	R V	900 VA R 900 VA V
34.72	35.12	33.58 33.58	1.18 0.83	1.28 1.28	2.56 2.56	0.94 0.94	4.53 4.53	1.97 ± 0.47 1.97 ± 0.47	R R	890 VE R 890 VRME R
35.12	35.91	34.29 34.29	1.18 0.83	1.28 1.28	2.56 2.56	0.94 0.94	4.53 4.53	1.97 ± 0.47 1.97 ± 0.47	R R	900 VE R 900 VRME R
35.91	36.30	34.65 34.65	1.18 0.83	1.28 1.28	2.56 2.56	0.94 0.94	4.53 4.53	1.97 ± 0.47 1.97 ± 0.47	R R	920 VE R 920 VRME R
36.42	38.39	34.06 34.06	0.26 0.26	0.24 0.24	0.41 0.41	0.20 0.20	0.79 0.79	0.31 ± 0.06 0.31 ± 0.06	R V	950 VL R 950 VL V
36.22	37.99	34.06 34.06	0.59 0.59	0.56 0.56	0.98 0.98	0.39 0.39	1.77 1.77	0.79 ± 0.16 0.79 ± 0.16	R V	950 VA R 950 VA V
36.30	36.73	35.04 35.04	1.18 0.83	1.28 1.28	2.56 2.56	0.94 0.94	4.53 4.53	1.97 ± 0.47 1.97 ± 0.47	R R	930 VE R 930 VRME R
36.73	37.17	35.43 35.43	1.18 0.83	1.28 1.28	2.56 2.56	0.94 0.94	4.53 4.53	1.97 ± 0.47 1.97 ± 0.47	R R	940 VE R 940 VRME R
37.17	37.60	35.87 35.87	1.18 0.83	1.28 1.28	2.56 2.56	0.94 0.94	4.53 4.53	1.97 ± 0.47 1.97 ± 0.47	R R	950 VE R 950 VRME R
37.60	38.03	36.26 36.26	1.18 0.83	1.28 1.28	2.56 2.56	0.94 0.94	4.53 4.53	1.97 ± 0.47 1.97 ± 0.47	R R	960 VE R 960 VRME R
38.39	40.35	35.83 35.83	0.26 0.26	0.24 0.24	0.41 0.41	0.20 0.20	0.79 0.79	0.31 ± 0.06 0.31 ± 0.06	R V	1000 VL R 1000 VL V
37.99	39.96	35.83 35.83	0.59 0.59	0.56 0.56	0.98 0.98	0.39 0.39	1.77 1.77	0.79 ± 0.16 0.79 ± 0.16	R V	1000 VA R 1000 VA V
38.03	38.46	36.69 36.69	1.18 0.83	1.28 1.28	2.56 2.56	0.94 0.94	4.53 4.53	1.97 ± 0.47 1.97 ± 0.47	R R	970 VE R 970 VRME R
38.46	38.90	37.09 37.09	1.18 0.83	1.28 1.28	2.56 2.56	0.94 0.94	4.53 4.53	1.97 ± 0.47 1.97 ± 0.47	R R	980 VE R 980 VRME R
38.90	39.33	37.52 37.52	1.18 0.83	1.28 1.28	2.56 2.56	0.94 0.94	4.53 4.53	1.97 ± 0.47 1.97 ± 0.47	R R	990 VE R 990 VRME R
39.33	39.76	37.91 37.91	1.18 0.83	1.28 1.28	2.56 2.56	0.94 0.94	4.53 4.53	1.97 ± 0.47 1.97 ± 0.47	R R	1000 VE R 1000 VRME R
39.76	40.35	38.31 38.31	1.18 0.83	1.28 1.28	2.56 2.56	0.94 0.94	4.53 4.53	1.97 ± 0.47 1.97 ± 0.47	R R	1020 VE R 1020 VRME R
40.35	42.32	37.60 37.60	0.26 0.26	0.24 0.24	0.41 0.41	0.20 0.20	0.79 0.79	0.31 ± 0.06 0.31 ± 0.06	R V	1050 VL R 1050 VL V
39.96	41.93	37.60	0.59	0.56	0.98	0.39	1.77	0.79 ± 0.16	R	1050 VA R

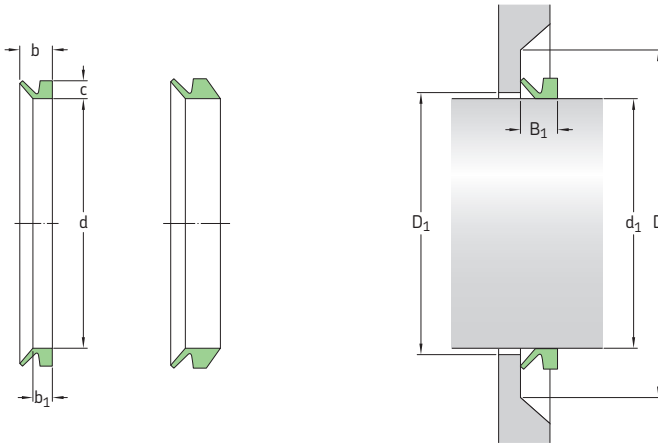
V-ring seals – inch dimensions, globally valid outside North American market
 d_1 40.35 – 59.65 in.



Dimensions		Seal inside diameter, free state d	Nominal seal height c	Seal seat width b_1	Nominal seal width b	Clearance $D_1 (= d_1 +)$ max	Counter-face $D (= d_1 +)$ min	Seal fitted width B_1	Lip code	Designation
Shaft diameter range d_1 over	incl.									
in.		in.							-	-
40.35	41.14	38.98 38.98	1.18 0.83	1.28 1.28	2.56 2.56	0.94 0.94	4.53 4.53	1.97 ± 0.47 1.97 ± 0.47	R R	1040 VE R 1040 VRME R
41.14	41.93	39.69 39.69	1.18 0.83	1.28 1.28	2.56 2.56	0.94 0.94	4.53 4.53	1.97 ± 0.47 1.97 ± 0.47	R R	1060 VE R 1060 VRME R
42.32	44.29	39.37 39.37	0.26 0.26	0.24 0.24	0.41 0.41	0.20 0.20	0.79 0.79	0.31 ± 0.06 0.31 ± 0.06	R V	1100 VL R 1100 VL V
41.93	43.90	39.37 40.43	0.59 1.18	0.56 1.28	0.98 2.56	0.39 0.94	1.77 4.53	0.79 ± 0.16 1.97 ± 0.47	R R	1100 VA R 1080 VE R
41.93	42.72	40.43	0.83	1.28	2.56	0.94	4.53	1.97 ± 0.47	R	1080 VRME R
42.72	43.50	41.14 41.14	1.18 0.83	1.28 1.28	2.56 2.56	0.94 0.94	4.53 4.53	1.97 ± 0.47 1.97 ± 0.47	R R	1100 VE R 1100 VRME R
43.50	44.29	41.93 41.93	1.18 0.83	1.28 1.28	2.56 2.56	0.94 0.94	4.53 4.53	1.97 ± 0.47 1.97 ± 0.47	R R	1120 VE R 1120 VRME R
44.29	46.26	41.14 41.14	0.26 0.26	0.24 0.24	0.41 0.41	0.20 0.20	0.79 0.79	0.31 ± 0.06 0.31 ± 0.06	R V	1150 VL R 1150 VL V
43.90	45.87	41.14	0.59	0.56	0.98	0.39	1.77	0.79 ± 0.16	R	1150 VA R
44.29	45.08	42.68 42.68	1.18 0.83	1.28 1.28	2.56 2.56	0.94 0.94	4.53 4.53	1.97 ± 0.47 1.97 ± 0.47	R R	1140 VE R 1140 VRME R
45.08	45.87	43.43 43.43	1.18 0.83	1.28 1.28	2.56 2.56	0.94 0.94	4.53 4.53	1.97 ± 0.47 1.97 ± 0.47	R R	1160 VE R 1160 VRME R
46.26	48.23	42.91 42.91	0.26 0.26	0.24 0.24	0.41 0.41	0.20 0.20	0.79 0.79	0.31 ± 0.06 0.31 ± 0.06	R V	1200 VL R 1200 VL V
45.87	47.83	42.91	0.59	0.56	0.98	0.39	1.77	0.79 ± 0.16	R	1200 VA R
45.87	46.65	44.13 44.13	1.18 0.83	1.28 1.28	2.56 2.56	0.94 0.94	4.53 4.53	1.97 ± 0.47 1.97 ± 0.47	R R	1180 VE R 1180 VRME R
46.65	47.44	44.84 44.84	1.18 0.83	1.28 1.28	2.56 2.56	0.94 0.94	4.53 4.53	1.97 ± 0.47 1.97 ± 0.47	R R	1200 VE R 1200 VRME R

Dimensions		Seal inside diameter, free state d	Nominal seal height c	Seal seat width b ₁	Nominal seal width b	Clearance D ₁ (= d ₁ +) max	Counter-face D (= d ₁ +) min	Seal fitted width B ₁	Lip code	Designation
Shaft diameter range d ₁ over	incl.									
in.		in.							-	-
47.44	48.23	45.55	1.18	1.28	2.56	0.94	4.53	1.97 ± 0.47	R	1220 VE R
		45.55	0.83	1.28	2.56	0.94	4.53	1.97 ± 0.47	R	1220 VRME R
48.23	50.20	44.69	0.26	0.24	0.41	0.20	0.79	0.31 ± 0.06	R	1250 VL R
		44.69	0.26	0.24	0.41	0.20	0.79	0.31 ± 0.06	V	1250 VL V
47.83	50.00	44.69	0.59	0.56	0.98	0.39	1.77	0.79 ± 0.16	R	1250 VA R
48.23	49.02	46.30	1.18	1.28	2.56	0.94	4.53	1.97 ± 0.47	R	1240 VE R
		46.30	0.83	1.28	2.56	0.94	4.53	1.97 ± 0.47	R	1240 VRME R
49.02	50.00	47.05	1.18	1.28	2.56	0.94	4.53	1.97 ± 0.47	R	1260 VE R
		47.05	0.83	1.28	2.56	0.94	4.53	1.97 ± 0.47	R	1260 VRME R
50.00	50.98	47.95	1.18	1.28	2.56	0.94	4.53	1.97 ± 0.47	R	1280 VE R
		47.95	0.83	1.28	2.56	0.94	4.53	1.97 ± 0.47	R	1280 VRME R
50.20	52.17	46.46	0.26	0.24	0.41	0.20	0.79	0.31 ± 0.06	R	1300 VL R
		46.46	0.26	0.24	0.41	0.20	0.79	0.31 ± 0.06	V	1300 VL V
50.00	51.97	46.46	0.59	0.56	0.98	0.39	1.77	0.79 ± 0.16	R	1300 VA R
50.98	51.77	48.82	1.18	1.28	2.56	0.94	4.53	1.97 ± 0.47	R	1300 VE R
		48.82	0.83	1.28	2.56	0.94	4.53	1.97 ± 0.47	R	1300 VRME R
51.77	52.76	49.57	1.18	1.28	2.56	0.94	4.53	1.97 ± 0.47	R	1325 VE R
		49.57	0.83	1.28	2.56	0.94	4.53	1.97 ± 0.47	R	1325 VRME R
52.17	54.13	48.23	0.26	0.24	0.41	0.20	0.79	0.31 ± 0.06	R	1350 VL R
		48.23	0.26	0.24	0.41	0.20	0.79	0.31 ± 0.06	V	1350 VL V
51.97	53.94	48.23	0.59	0.56	0.98	0.39	1.77	0.79 ± 0.16	R	1350 VA R
52.76	53.74	50.43	1.18	1.28	2.56	0.94	4.53	1.97 ± 0.47	R	1350 VE R
		50.43	0.83	1.28	2.56	0.94	4.53	1.97 ± 0.47	R	1350 VRME R
53.74	54.72	51.38	1.18	1.28	2.56	0.94	4.53	1.97 ± 0.47	R	1375 VE R
		51.38	0.83	1.28	2.56	0.94	4.53	1.97 ± 0.47	R	1375 VRME R
54.13	56.10	50.00	0.26	0.24	0.41	0.20	0.79	0.31 ± 0.06	R	1400 VL R
		50.00	0.26	0.24	0.41	0.20	0.79	0.31 ± 0.06	V	1400 VL V
53.94	55.91	50.00	0.59	0.56	0.98	0.39	1.77	0.79 ± 0.16	R	1400 VA R
54.72	55.71	52.28	1.18	1.28	2.56	0.94	4.53	1.97 ± 0.47	R	1400 VE R
		52.28	0.83	1.28	2.56	0.94	4.53	1.97 ± 0.47	R	1400 VRME R
55.71	56.69	53.15	1.18	1.28	2.56	0.94	4.53	1.97 ± 0.47	R	1425 VE R
		53.15	0.83	1.28	2.56	0.94	4.53	1.97 ± 0.47	R	1425 VRME R
56.10	58.07	51.77	0.26	0.24	0.41	0.20	0.79	0.31 ± 0.06	R	1450 VL R
		51.77	0.26	0.24	0.41	0.20	0.79	0.31 ± 0.06	V	1450 VL V
55.91	57.87	51.77	0.59	0.56	0.98	0.39	1.77	0.79 ± 0.16	R	1450 VA R
56.69	57.68	54.09	1.18	1.28	2.56	0.94	4.53	1.97 ± 0.47	R	1450 VE R
		54.09	0.83	1.28	2.56	0.94	4.53	1.97 ± 0.47	R	1450 VRME R
57.68	58.66	55.00	1.18	1.28	2.56	0.94	4.53	1.97 ± 0.47	R	1475 VE R
		55.00	0.83	1.28	2.56	0.94	4.53	1.97 ± 0.47	R	1475 VRME R
58.07	60.04	53.54	0.26	0.24	0.41	0.20	0.79	0.31 ± 0.06	R	1500 VL R
		53.54	0.26	0.24	0.41	0.20	0.79	0.31 ± 0.06	V	1500 VL V
57.87	59.84	53.54	0.59	0.56	0.98	0.39	1.77	0.79 ± 0.16	R	1500 VA R
58.66	59.65	55.87	1.18	1.28	2.56	0.94	4.53	1.97 ± 0.47	R	1500 VE R
		55.87	0.83	1.28	2.56	0.94	4.53	1.97 ± 0.47	R	1500 VRME R

V-ring seals – inch dimensions, globally valid outside North American market
d₁ 59.65 – 79.53 in.

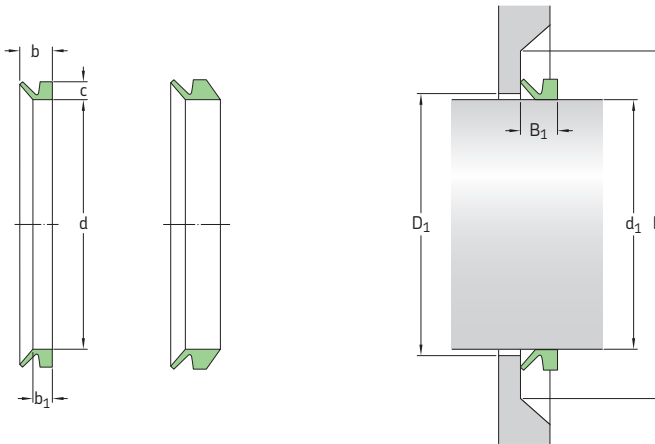


Dimensions		Seal inside diameter, free state d	Nominal seal height c	Seal seat width b ₁	Nominal seal width b	Clearance D ₁ (= d ₁ +) max	Counter-face D (= d ₁ +) min	Seal fitted width B ₁	Lip code	Designation
Shaft diameter range d ₁ over	incl.									
in.		in.							-	-
59.65	60.63	56.81	1.18	1.28	2.56	0.94	4.53	1.97 ± 0.47	R	1525 VE R
		56.81	0.83	1.28	2.56	0.94	4.53	1.97 ± 0.47	R	1525 VRME R
60.04	62.01	55.31	0.26	0.24	0.41	0.20	0.79	0.31 ± 0.06	R	1550 VL R
		55.31	0.26	0.24	0.41	0.20	0.79	0.31 ± 0.06	V	1550 VL V
59.84	61.81	55.31	0.59	0.56	0.98	0.39	1.77	0.79 ± 0.16	R	1550 VA R
60.63	61.81	57.76	1.18	1.28	2.56	0.94	4.53	1.97 ± 0.47	R	1550 VE R
		57.76	0.83	1.28	2.56	0.94	4.53	1.97 ± 0.47	R	1550 VRME R
61.81	62.99	58.86	1.18	1.28	2.56	0.94	4.53	1.97 ± 0.47	R	1575 VE R
		58.86	0.83	1.28	2.56	0.94	4.53	1.97 ± 0.47	R	1575 VRME R
62.01	63.98	57.09	0.26	0.24	0.41	0.20	0.79	0.31 ± 0.06	R	1600 VL R
		57.09	0.26	0.24	0.41	0.20	0.79	0.31 ± 0.06	V	1600 VL V
61.81	63.78	57.09	0.59	0.56	0.98	0.39	1.77	0.79 ± 0.16	R	1600 VA R
62.99	64.57	60.00	1.18	1.28	2.56	0.94	4.53	1.97 ± 0.47	R	1600 VE R
		60.00	0.83	1.28	2.56	0.94	4.53	1.97 ± 0.47	R	1600 VRME R
63.98	65.94	58.86	0.26	0.24	0.41	0.20	0.79	0.31 ± 0.06	R	1650 VL R
		58.86	0.26	0.24	0.41	0.20	0.79	0.31 ± 0.06	V	1650 VL V
63.78	65.75	58.86	0.59	0.56	0.98	0.39	1.77	0.79 ± 0.16	R	1650 VA R
64.57	66.14	61.38	1.18	1.28	2.56	0.94	4.53	1.97 ± 0.47	R	1650 VE R
		61.38	0.83	1.28	2.56	0.94	4.53	1.97 ± 0.47	R	1650 VRME R
65.94	67.91	60.63	0.26	0.24	0.41	0.20	0.79	0.31 ± 0.06	R	1700 VL R
		60.63	0.26	0.24	0.41	0.20	0.79	0.31 ± 0.06	V	1700 VL V
65.75	67.72	60.63	0.59	0.56	0.98	0.39	1.77	0.79 ± 0.16	R	1700 VA R
66.14	67.72	62.83	1.18	1.28	2.56	0.94	4.53	1.97 ± 0.47	R	1700 VE R
		62.83	0.83	1.28	2.56	0.94	4.53	1.97 ± 0.47	R	1700 VRME R
67.91	69.88	62.40	0.26	0.24	0.41	0.20	0.79	0.31 ± 0.06	R	1750 VL R
		62.40	0.26	0.24	0.41	0.20	0.79	0.31 ± 0.06	V	1750 VL V

Dimensions		Seal inside diameter, free state d	Nominal seal height c	Seal seat width b ₁	Nominal seal width b	Clearance D ₁ (= d ₁ +) max	Counter-face D (= d ₁ +) min	Seal fitted width B ₁	Lip code	Designation
Shaft diameter range d ₁ over	incl.									
in.		in.							-	-
67.72	69.69	62.40	0.59	0.56	0.98	0.39	1.77	0.79 ± 0.16	R	1750 VA R
67.72	69.49	64.25 64.25	1.18 0.83	1.28 1.28	2.56 2.56	0.94 0.94	4.53 4.53	1.97 ± 0.47 1.97 ± 0.47	R R	1750 VE R 1750 VRME R
69.49	71.26	65.79 65.79	1.18 0.83	1.28 1.28	2.56 2.56	0.94 0.94	4.53 4.53	1.97 ± 0.47 1.97 ± 0.47	R R	1800 VE R 1800 VRME R
69.88	71.85	64.17 64.17	0.26 0.26	0.24 0.24	0.41 0.41	0.20 0.20	0.79 0.79	0.31 ± 0.06 0.31 ± 0.06	R V	1800 VL R 1800 VL V
69.69	71.65	64.17	0.59	0.56	0.98	0.39	1.77	0.79 ± 0.16	R	1800 VA R
71.26	73.03	67.48 67.48	1.18 0.83	1.28 1.28	2.56 2.56	0.94 0.94	4.53 4.53	1.97 ± 0.47 1.97 ± 0.47	R R	1850 VE R 1850 VRME R
71.85	73.82	65.94 65.94	0.26 0.26	0.24 0.24	0.41 0.41	0.20 0.20	0.79 0.79	0.31 ± 0.06 0.31 ± 0.06	R V	1850 VL R 1850 VL V
71.65	73.62	65.94	0.59	0.56	0.98	0.39	1.77	0.79 ± 0.16	R	1850 VA R
73.03	75.00	69.02 69.02	1.18 0.83	1.28 1.28	2.56 2.56	0.94 0.94	4.53 4.53	1.97 ± 0.47 1.97 ± 0.47	R R	1900 VE R 1900 VRME R
73.82	75.79	67.72 67.72	0.26 0.26	0.24 0.24	0.41 0.41	0.20 0.20	0.79 0.79	0.31 ± 0.06 0.31 ± 0.06	R V	1900 VL R 1900 VL V
73.62	75.59	67.72	0.59	0.56	0.98	0.39	1.77	0.79 ± 0.16	R	1900 VA R
75.00	76.97	70.63 70.63	1.18 0.83	1.28 1.28	2.56 2.56	0.94 0.94	4.53 4.53	1.97 ± 0.47 1.97 ± 0.47	R R	1950 VE R 1950 VRME R
75.79	77.76	69.49	0.26	0.24	0.41	0.20	0.79	0.31 ± 0.06	R	1950 VL R
75.79	77.76	69.49 69.49	0.26 0.59	0.24 0.56	0.41 0.98	0.20 0.39	0.79 1.77	0.31 ± 0.06 0.79 ± 0.16	V R	1950 VL V 1950 VA R
76.97	79.13	72.60 72.60	1.18 0.83	1.28 1.28	2.56 2.56	0.94 0.94	4.53 4.53	1.97 ± 0.47 1.97 ± 0.47	R R	2000 VE R 2000 VRME R
77.76	79.72	71.26 71.26	0.26 0.26	0.24 0.24	0.41 0.41	0.20 0.20	0.79 0.79	0.31 ± 0.06 0.31 ± 0.06	R V	2000 VL R 2000 VL V
77.56	79.53	71.26	0.59	0.56	0.98	0.39	1.77	0.79 ± 0.16	R	2000 VA R

V-ring seals – metric dimensions, for North American market

d_1 2,7 – 53 mm

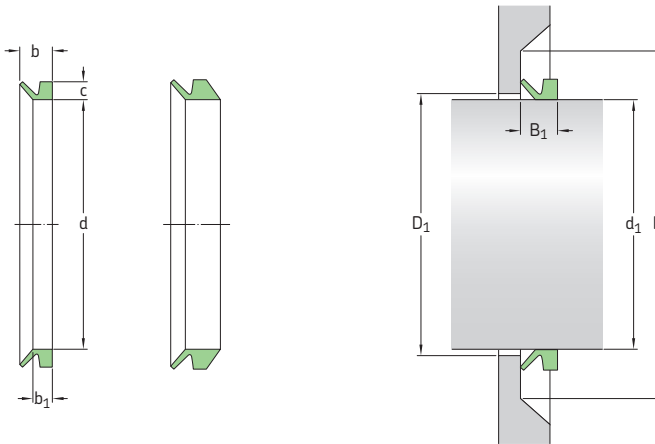


Dimensions		Seal inside diameter, free state d	Seal seat width b_1	Nominal seal width b	Nominal seal height c	Clearance D_1 max	Counterface D min	Seal fitted width B_1	Design	Lip code	Designation code
Shaft diameter range d_1 over	incl.										
mm											
2,7	3,5	2,5	2,1	3	1,5	$d_1 + 1$	$d_1 + 4$	$2,5 \pm 0,3$	VR1	R	400030
		2,5	2,1	3	1,5	$d_1 + 1$	$d_1 + 4$	$2,5 \pm 0,3$	VR1	V	400034
3,5	4,5	3,2	2,4	3,7	2	$d_1 + 1$	$d_1 + 6$	$3 \pm 0,4$	VR1	R	400040
		3,2	2,4	3,7	2	$d_1 + 1$	$d_1 + 6$	$3 \pm 0,4$	VR1	V	400044
4,5	5,5	4	2,4	3,7	2	$d_1 + 1$	$d_1 + 6$	$3 \pm 0,4$	VR1	R	400050
		4	2,4	3,7	2	$d_1 + 1$	$d_1 + 6$	$3 \pm 0,4$	VR1	V	400054
		4	3,9	5,2	2	$d_1 + 1$	$d_1 + 6$	$4,5 \pm 0,4$	VR2	R	400051
		4	3,9	5,2	2	$d_1 + 1$	$d_1 + 6$	$4,5 \pm 0,4$	VR2	V	400055
5,5	6,5	5	2,4	3,7	2	$d_1 + 1$	$d_1 + 6$	$3 \pm 0,4$	VR1	R	400060
		5	2,4	3,7	2	$d_1 + 1$	$d_1 + 6$	$3 \pm 0,4$	VR1	V	400064
		5	3,9	5,2	2	$d_1 + 1$	$d_1 + 6$	$4,5 \pm 0,4$	VR2	R	400061
		5	3,9	5,2	2	$d_1 + 1$	$d_1 + 6$	$4,5 \pm 0,4$	VR2	V	400065
6,5	8	6	2,4	3,7	2	$d_1 + 1$	$d_1 + 6$	$3 \pm 0,4$	VR1	R	400070
		6	2,4	3,7	2	$d_1 + 1$	$d_1 + 6$	$3 \pm 0,4$	VR1	V	400074
		6	3,9	5,2	2	$d_1 + 1$	$d_1 + 6$	$4,5 \pm 0,4$	VR2	R	400071
		6	3,9	5,2	2	$d_1 + 1$	$d_1 + 6$	$4,5 \pm 0,4$	VR2	V	400075
8	9,5	7	2,4	3,7	2	$d_1 + 1$	$d_1 + 6$	$3 \pm 0,4$	VR1	R	400080
		7	2,4	3,7	2	$d_1 + 1$	$d_1 + 6$	$3 \pm 0,4$	VR1	V	400084
		7	3,9	5,2	2	$d_1 + 1$	$d_1 + 6$	$4,5 \pm 0,4$	VR2	R	400081
		7	3,9	5,2	2	$d_1 + 1$	$d_1 + 6$	$4,5 \pm 0,4$	VR2	V	400085
9,5	11,5	9	3,4	5,5	3	$d_1 + 1$	$d_1 + 9$	$4,5 \pm 0,6$	VR1	R	400100
		9	3,4	5,5	3	$d_1 + 1$	$d_1 + 9$	$4,5 \pm 0,6$	VR1	V	400104
		9	5,6	7,7	3	$d_1 + 1$	$d_1 + 9$	$6,7 \pm 0,6$	VR2	R	400101
		9	5,6	7,7	3	$d_1 + 1$	$d_1 + 9$	$6,7 \pm 0,6$	VR2	V	400105
11,5	12,5	10,5	3,4	5,5	3	$d_1 + 1$	$d_1 + 9$	$4,5 \pm 0,6$	VR1	R	400120
		10,5	3,4	5,5	3	$d_1 + 1$	$d_1 + 9$	$4,5 \pm 0,6$	VR1	V	400124
		10,5	5,6	7,7	3	$d_1 + 1$	$d_1 + 9$	$6,7 \pm 0,6$	VR2	R	400121
		10,5	5,6	7,7	3	$d_1 + 1$	$d_1 + 9$	$6,7 \pm 0,6$	VR2	V	400125
12,5	13,5	11,7	3,4	5,5	3	$d_1 + 1$	$d_1 + 9$	$4,5 \pm 0,6$	VR1	R	400130
		11,7	3,4	5,5	3	$d_1 + 1$	$d_1 + 9$	$4,5 \pm 0,6$	VR1	V	400134
13,5	15,5	12,5	3,4	5,5	3	$d_1 + 1$	$d_1 + 9$	$4,5 \pm 0,6$	VR1	R	400140
		12,5	3,4	5,5	3	$d_1 + 1$	$d_1 + 9$	$4,5 \pm 0,6$	VR1	V	400144

Dimensions		Seal inside diameter, free state d	Seal seat width b ₁	Nominal seal width b	Nominal seal height c	Clearance D ₁ max	Counterface D min	Seal fitted width B ₁	Design	Lip code	Designation
Shaft diameter range d ₁ over	incl.										
mm											
13,5 cont.	15,5	12,5	5,6	7,7	3	d ₁ +1	d ₁ +9	6,7 ± 0,6	VR2	R	400141
		12,5	5,6	7,7	3	d ₁ +1	d ₁ +9	6,7 ± 0,6	VR2	V	400145
15,5	17	14	3,4	5,5	3	d ₁ +1	d ₁ +9	4,5 ± 0,6	VR1	R	400160
		14	3,4	5,5	3	d ₁ +1	d ₁ +9	4,5 ± 0,6	VR1	V	400164
15,5	17,5	14	5,6	7,7	3	d ₁ +1	d ₁ +9	6,7 ± 0,6	VR2	R	400161
		14	5,6	7,7	3	d ₁ +1	d ₁ +9	6,7 ± 0,6	VR2	V	400165
17,5	19	16	3,4	5,5	3	d ₁ +1	d ₁ +9	4,5 ± 0,6	VR1	R	400180
		16	3,4	5,5	3	d ₁ +1	d ₁ +9	4,5 ± 0,6	VR1	V	400184
		16	5,6	7,7	3	d ₁ +1	d ₁ +9	6,7 ± 0,6	VR2	R	400181
		16	5,6	7,7	3	d ₁ +1	d ₁ +9	6,7 ± 0,6	VR2	V	400185
19	21	18	4,7	7,5	4	d ₁ +2	d ₁ +12	6 ± 0,8	VR1	R	400200
		18	4,7	7,5	4	d ₁ +2	d ₁ +12	6 ± 0,8	VR1	V	400204
		18	7,9	10,5	4	d ₁ +2	d ₁ +12	9 ± 0,8	VR2	R	400201
		18	7,9	10,5	4	d ₁ +2	d ₁ +12	9 ± 0,8	VR2	V	400205
21	24	20	4,7	7,5	4	d ₁ +2	d ₁ +12	6 ± 0,8	VR1	R	400220
		20	4,7	7,5	4	d ₁ +2	d ₁ +12	6 ± 0,8	VR1	V	400224
		20	7,9	10,5	4	d ₁ +2	d ₁ +12	9 ± 0,8	VR2	R	400221
		20	7,9	10,5	4	d ₁ +2	d ₁ +12	9 ± 0,8	VR2	V	400225
24	27	22	4,7	7,5	4	d ₁ +2	d ₁ +12	6 ± 0,8	VR1	R	400250
		22	4,7	7,5	4	d ₁ +2	d ₁ +12	6 ± 0,8	VR1	V	400254
		22	7,9	10,5	4	d ₁ +2	d ₁ +12	9 ± 0,8	VR2	R	400251
		22	7,9	10,5	4	d ₁ +2	d ₁ +12	9 ± 0,8	VR2	V	400255
27	29	25	4,7	7,5	4	d ₁ +2	12	6 ± 0,8	VR1	R	400280
		25	4,7	7,5	4	d ₁ +2	d ₁ +12	6 ± 0,8	VR1	V	400284
		25	7,9	10,5	4	d ₁ +2	d ₁ +12	9 ± 0,8	VR2	R	400281
		25	7,9	10,5	4	d ₁ +2	d ₁ +12	9 ± 0,8	VR2	V	400285
29	31	27	4,7	7,5	4	d ₁ +2	d ₁ +12	6 ± 0,8	VR1	R	400300
		27	4,7	7,5	4	d ₁ +2	d ₁ +12	6 ± 0,8	VR1	V	400304
		27	7,9	10,5	4	d ₁ +2	d ₁ +12	9 ± 0,8	VR2	R	400301
		27	7,9	10,5	4	d ₁ +2	d ₁ +12	9 ± 0,8	VR2	V	400305
31	33	29	4,7	7,5	4	d ₁ +2	d ₁ +12	6 ± 0,8	VR1	R	400320
		29	4,7	7,5	4	d ₁ +2	d ₁ +12	6 ± 0,8	VR1	V	400324
		29	7,9	10,5	4	d ₁ +2	d ₁ +12	9 ± 0,8	VR2	R	400321
		29	7,9	10,5	4	d ₁ +2	d ₁ +12	9 ± 0,8	VR2	V	400325
33	36	31	4,7	7,5	4	d ₁ +2	d ₁ +12	6 ± 0,8	VR1	R	400350
		31	4,7	7,5	4	d ₁ +2	d ₁ +12	6 ± 0,8	VR1	V	400354
		31	7,9	10,5	4	d ₁ +2	d ₁ +12	9 ± 0,8	VR2	R	400351
		31	7,9	10,5	4	d ₁ +2	d ₁ +12	9 ± 0,8	VR2	V	400355
36	38	34	4,7	7,5	4	d ₁ +2	d ₁ +12	6 ± 0,8	VR1	R	400380
		34	4,7	7,5	4	d ₁ +2	d ₁ +12	6 ± 0,8	VR1	V	400384
		34	7,9	10,5	4	d ₁ +2	d ₁ +12	9 ± 0,8	VR2	R	400381
		34	7,9	10,5	4	d ₁ +2	d ₁ +12	9 ± 0,8	VR2	V	400385
38	43	36	5,5	9	5	d ₁ +2	d ₁ +15	7 ± 1	VR1	R	400400
		36	5,5	9	5	d ₁ +2	d ₁ +15	7 ± 1	VR1	V	400404
		36	9,5	13	5	d ₁ +2	d ₁ +15	11 ± 1	VR2	R	400401
		36	9,5	13	5	d ₁ +2	d ₁ +15	11 ± 1	VR2	V	400405
43	48	40	5,5	9	5	d ₁ +2	d ₁ +15	7 ± 1	VR1	R	400450
		40	5,5	9	5	d ₁ +2	d ₁ +15	7 ± 1	VR1	V	400454
		40	9,5	13	5	d ₁ +2	d ₁ +15	11 ± 1	VR2	R	400451
		40	9,5	13	5	d ₁ +2	d ₁ +15	11 ± 1	VR2	V	400455
48	53	45	5,5	9	5	d ₁ +2	d ₁ +15	7 ± 1	VR1	R	400500
		45	5,5	9	5	d ₁ +2	d ₁ +15	7 ± 1	VR1	V	400504
		45	9,5	13	5	d ₁ +2	d ₁ +15	11 ± 1	VR2	R	400501
		45	9,5	13	5	d ₁ +2	d ₁ +15	11 ± 1	VR2	V	400505

V-ring seals – metric dimensions, for North American market

d_1 53 – 195 mm

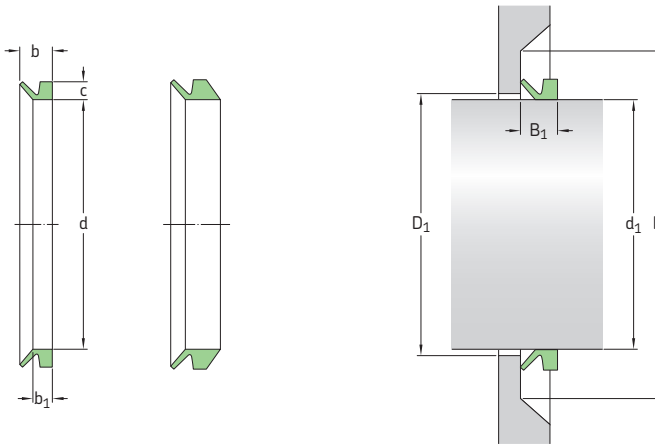


Dimensions		Seal inside diameter, free state d	Seal seat width b_1	Nominal seal width b	Nominal seal height c	Clearance D_1 max	Counterface D min	Seal fitted width B_1	Design	Lip code	Designation
Shaft diameter range d_1 over	incl.										
mm											
53	58	49	5,5	9	5	$d_1 + 2$	$d_1 + 15$	7 ± 1	VR1	R	400550
		49	5,5	9	5	$d_1 + 2$	$d_1 + 15$	7 ± 1	VR1	V	400554
		49	9,5	13	5	$d_1 + 2$	$d_1 + 15$	11 ± 1	VR2	R	400551
		49	9,5	13	5	$d_1 + 2$	$d_1 + 15$	11 ± 1	VR2	V	400555
58	63	54	5,5	9	5	$d_1 + 2$	$d_1 + 15$	7 ± 1	VR1	R	400600
		54	5,5	9	5	$d_1 + 2$	$d_1 + 15$	7 ± 1	VR1	V	400604
		54	9,5	13	5	$d_1 + 2$	$d_1 + 15$	11 ± 1	VR2	R	400601
		54	9,5	13	5	$d_1 + 2$	$d_1 + 15$	11 ± 1	VR2	V	400605
63	68	58	5,5	9	5	$d_1 + 2$	$d_1 + 15$	7 ± 1	VR1	R	400650
		58	5,5	9	5	$d_1 + 2$	$d_1 + 15$	7 ± 1	VR1	V	400654
		58	9,5	13	5	$d_1 + 2$	$d_1 + 15$	11 ± 1	VR2	R	400651
		58	9,5	13	5	$d_1 + 2$	$d_1 + 15$	11 ± 1	VR2	V	400655
68	73	63	6,8	11	6	$d_1 + 3$	$d_1 + 18$	$9 \pm 1,2$	VR1	R	400700
		63	6,8	11	6	$d_1 + 3$	$d_1 + 18$	$9 \pm 1,2$	VR1	V	400704
		63	11,3	15,5	6	$d_1 + 3$	$d_1 + 18$	$13,5 \pm 1,2$	VR2	R	400701
		63	11,3	15,5	6	$d_1 + 3$	$d_1 + 18$	$13,5 \pm 1,2$	VR2	V	400705
73	78	67	6,8	11	6	$d_1 + 3$	$d_1 + 18$	$9 \pm 1,2$	VR1	R	400750
		67	6,8	11	6	$d_1 + 3$	$d_1 + 18$	$13,5 \pm 1,2$	VR2	R	400751
		67	11,3	15,5	6	$d_1 + 3$	$d_1 + 18$	$13,5 \pm 1,2$	VR2	V	400755
78	83	72	6,8	11	6	$d_1 + 3$	$d_1 + 18$	$9 \pm 1,2$	VR1	R	400800
		72	6,8	11	6	$d_1 + 3$	$d_1 + 18$	$9 \pm 1,2$	VR1	V	400804
		72	11,3	15,5	6	$d_1 + 3$	$d_1 + 18$	$13,5 \pm 1,2$	VR2	R	400801
		72	11,3	15,5	6	$d_1 + 3$	$d_1 + 18$	$13,5 \pm 1,2$	VR2	V	400805
83	88	76	6,8	11	6	$d_1 + 3$	$d_1 + 18$	$9 \pm 1,2$	VR1	R	400850
		76	6,8	11	6	$d_1 + 3$	$d_1 + 18$	$9 \pm 1,2$	VR1	V	400854
		76	11,3	15,5	6	$d_1 + 3$	$d_1 + 18$	$13,5 \pm 1,2$	VR2	R	400851
		76	11,3	15,5	6	$d_1 + 3$	$d_1 + 18$	$13,5 \pm 1,2$	VR2	V	400855
88	93	81	6,8	11	6	$d_1 + 3$	$d_1 + 18$	$9 \pm 1,2$	VR1	R	400900
		81	6,8	11	6	$d_1 + 3$	$d_1 + 18$	$9 \pm 1,2$	VR1	V	400904
		81	11,3	15,5	6	$d_1 + 3$	$d_1 + 18$	$13,5 \pm 1,2$	VR2	R	400901
		81	11,3	15,5	6	$d_1 + 3$	$d_1 + 18$	$13,5 \pm 1,2$	VR2	V	400905
93	98	85	6,8	11	6	$d_1 + 3$	$d_1 + 18$	$9 \pm 1,2$	VR1	R	400950
		85	6,8	11	6	$d_1 + 3$	$d_1 + 18$	$9 \pm 1,2$	VR1	V	400954
		85	11,3	15,5	6	$d_1 + 3$	$d_1 + 18$	$13,5 \pm 1,2$	VR2	R	400951
		85	11,3	15,5	6	$d_1 + 3$	$d_1 + 18$	$13,5 \pm 1,2$	VR2	V	400955

Dimensions		Seal inside diameter, free state d	Seal seat width b ₁	Nominal seal width b	Nominal seal height c	Clearance D ₁ max	Counterface D min	Seal fitted width B ₁	Design	Lip code	Designation
Shaft diameter range d ₁ over	incl.										
mm											
98	105	90	6,8	11	6	d ₁ +3	d ₁ +18	9 ± 1,2	VR1	R	401000
		90	6,8	11	6	d ₁ +3	d ₁ +18	9 ± 1,2	VR1	V	401004
		90	11,3	15,5	6	d ₁ +3	d ₁ +18	13,5 ± 1,2	VR2	R	401001
		90	11,3	15,5	6	d ₁ +3	d ₁ +18	13,5 ± 1,2	VR2	V	401005
105	115	99	6	10,5	6,5	d ₁ +5	d ₁ +20	8 ± 1,5	VR3	R	401102
		99	6	10,5	6,5	d ₁ +5	d ₁ +20	8 ± 1,5	VR3	V	401106
		99	7,9	12,8	7	d ₁ +4	d ₁ +21	10,5 ± 1,5	VR1	R	401100
		99	7,9	12,8	7	d ₁ +4	d ₁ +21	10,5 ± 1,5	VR1	V	401104
		99	13,1	18	7	d ₁ +4	d ₁ +21	15,5 ± 1,5	VR2	R	401101
		99	13,1	18	7	d ₁ +4	d ₁ +21	15,5 ± 1,5	VR2	V	401105
115	125	108	6	10,5	6,5	d ₁ +5	d ₁ +20	8 ± 1,5	VR3	R	401202
		108	6	10,5	6,5	d ₁ +5	d ₁ +20	8 ± 1,5	VR3	V	401206
		108	7,9	12,8	7	d ₁ +4	d ₁ +21	10,5 ± 1,5	VR1	R	401200
		108	7,9	12,8	7	d ₁ +4	d ₁ +21	10,5 ± 1,5	VR1	V	401204
		108	13,1	18	7	d ₁ +4	d ₁ +21	15,5 ± 1,5	VR2	R	401201
		108	13,1	18	7	d ₁ +4	d ₁ +21	15,5 ± 1,5	VR2	V	401205
125	135	117	6	10,5	6,5	d ₁ +5	d ₁ +20	8 ± 1,5	VR3	R	401302
		117	6	10,5	6,5	d ₁ +5	d ₁ +20	8 ± 1,5	VR3	V	401306
		117	7,9	12,8	7	d ₁ +4	d ₁ +21	10,5 ± 1,5	VR1	R	401300
		117	7,9	12,8	7	d ₁ +4	d ₁ +21	10,5 ± 1,5	VR1	V	401304
		117	13,1	18	7	d ₁ +4	d ₁ +21	15,5 ± 1,5	VR2	R	401301
		117	13,1	18	7	d ₁ +4	d ₁ +21	15,5 ± 1,5	VR2	V	401305
135	145	126	6	10,5	6,5	d ₁ +5	d ₁ +20	8 ± 1,5	VR3	R	401402
		126	6	10,5	6,5	d ₁ +5	d ₁ +20	8 ± 1,5	VR3	V	401406
		126	7,9	12,8	7	d ₁ +4	d ₁ +21	10,5 ± 1,5	VR1	R	401400
		126	7,9	12,8	7	d ₁ +4	d ₁ +21	10,5 ± 1,5	VR1	V	401404
		126	13,1	18	7	d ₁ +4	d ₁ +21	15,5 ± 1,5	VR2	R	401401
		126	13,1	18	7	d ₁ +4	d ₁ +21	15,5 ± 1,5	VR2	V	401405
145	155	135	6	10,5	6,5	d ₁ +5	d ₁ +20	8 ± 1,5	VR3	R	401502
		135	6	10,5	6,5	d ₁ +5	d ₁ +20	8 ± 1,5	VR3	V	401506
		135	7,9	12,8	7	d ₁ +4	d ₁ +21	10,5 ± 1,5	VR1	R	401500
		135	7,9	12,8	7	d ₁ +4	d ₁ +21	10,5 ± 1,5	VR1	V	401504
		135	13,1	18	7	d ₁ +4	d ₁ +21	15,5 ± 1,5	VR2	R	401501
		135	13,1	18	7	d ₁ +4	d ₁ +21	15,5 ± 1,5	VR2	V	401505
155	165	144	6	10,5	6,5	d ₁ +5	d ₁ +20	8 ± 1,5	VR3	R	401602
		144	6	10,5	6,5	d ₁ +5	d ₁ +20	8 ± 1,5	VR3	V	401606
		144	9	14,5	8	d ₁ +4	d ₁ +24	12 ± 1,8	VR1	R	401600
		144	9	14,5	8	d ₁ +4	d ₁ +24	12 ± 1,8	VR1	V	401604
		144	15	20,5	8	d ₁ +4	d ₁ +24	18 ± 1,8	VR2	R	401601
		144	15	20,5	8	d ₁ +4	d ₁ +24	18 ± 1,8	VR2	V	401605
165	175	153	6	10,5	6,5	d ₁ +5	d ₁ +20	8 ± 1,5	VR3	R	401702
		153	6	10,5	6,5	d ₁ +5	d ₁ +20	8 ± 1,5	VR3	V	401706
		153	9	14,5	8	d ₁ +4	d ₁ +24	12 ± 1,8	VR1	R	401700
		153	9	14,5	8	d ₁ +4	d ₁ +24	12 ± 1,8	VR1	V	401704
		153	15	20,5	8	d ₁ +4	d ₁ +24	18 ± 1,8	VR2	R	401701
		153	15	20,5	8	d ₁ +4	d ₁ +24	18 ± 1,8	VR2	V	401705
175	185	162	6	10,5	6,5	d ₁ +5	d ₁ +20	8 ± 1,5	VR3	R	401802
		162	6	10,5	6,5	d ₁ +5	d ₁ +20	8 ± 1,5	VR3	V	401806
		162	9	14,5	8	d ₁ +4	d ₁ +24	12 ± 1,8	VR1	R	401800
		162	9	14,5	8	d ₁ +4	d ₁ +24	12 ± 1,8	VR1	V	401804
		162	15	20,5	8	d ₁ +4	d ₁ +24	18 ± 1,8	VR2	R	401801
		162	15	20,5	8	d ₁ +4	d ₁ +24	18 ± 1,8	VR2	V	401805
185	195	171	6	10,5	6,5	d ₁ +5	d ₁ +20	8 ± 1,5	VR3	R	401902
		171	6	10,5	6,5	d ₁ +5	d ₁ +20	8 ± 1,5	VR3	V	401906
		171	9	14,5	8	d ₁ +4	d ₁ +24	12 ± 1,8	VR1	R	401900
		171	9	14,5	8	d ₁ +4	d ₁ +24	12 ± 1,8	VR1	V	401904
		171	15	20,5	8	d ₁ +4	d ₁ +24	18 ± 1,8	VR2	R	401901
		171	15	20,5	8	d ₁ +4	d ₁ +24	18 ± 1,8	VR2	V	401905

V-ring seals – metric dimensions, for North American market

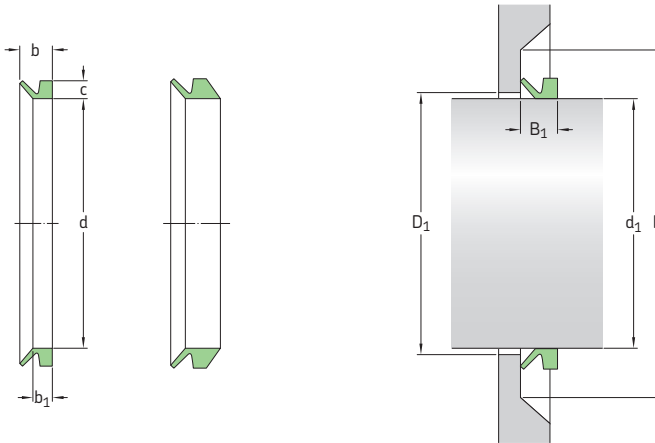
d_1 190 – 395 mm



Dimensions		Seal inside diameter, free state d	Seal seat width b_1	Nominal seal width b	Nominal seal height c	Clearance D_1 max	Counterface D min	Seal fitted width B_1	Design	Lip code	Designation
Shaft diameter range d_1 over	incl.										
mm											
195	210	182	6	10,5	6,5	$d_1 + 5$	$d_1 + 20$	$8 \pm 1,5$	VR3	R	402002
		182	6	10,5	6,5	$d_1 + 5$	$d_1 + 20$	$8 \pm 1,5$	VR3	V	402006
		180	9	14,5	8	$d_1 + 4$	$d_1 + 24$	$12 \pm 1,8$	VR1	R	401990
		180	9	14,5	8	$d_1 + 4$	$d_1 + 24$	$12 \pm 1,8$	VR1	V	401994
		180	15	20,5	8	$d_1 + 4$	$d_1 + 24$	$18 \pm 1,8$	VR2	R	401991
		180	15	20,5	8	$d_1 + 4$	$d_1 + 24$	$18 \pm 1,8$	VR2	V	401995
190	210	180	14,3	25	15	$d_1 + 10$	$d_1 + 45$	20 ± 4	VR1	R	402000
		180	14,3	25	15	$d_1 + 10$	$d_1 + 45$	20 ± 4	VR1	V	402004
210	233	198	6	10,5	6,5	$d_1 + 5$	$d_1 + 20$	$8 \pm 1,5$	VR3	R	402202
		198	6	10,5	6,5	$d_1 + 5$	$d_1 + 20$	$8 \pm 1,5$	VR3	V	402206
		198	14,3	25	15	$d_1 + 10$	$d_1 + 45$	20 ± 4	VR1	R	402200
		198	14,3	25	15	$d_1 + 10$	$d_1 + 45$	20 ± 4	VR1	V	402204
233	260	225	6	10,5	6,5	$d_1 + 5$	$d_1 + 20$	$8 \pm 1,5$	VR3	R	402502
		225	6	10,5	6,5	$d_1 + 5$	$d_1 + 20$	$8 \pm 1,5$	VR3	V	402506
235	265	225	14,3	25	15	$d_1 + 10$	$d_1 + 45$	20 ± 4	VR1	R	402500
		225	14,3	25	15	$d_1 + 10$	$d_1 + 45$	20 ± 4	VR1	V	402504
260	285	247	6	10,5	6,5	$d_1 + 5$	$d_1 + 20$	$8 \pm 1,5$	VR3	R	402752
		247	6	10,5	6,5	$d_1 + 5$	$d_1 + 20$	$8 \pm 1,5$	VR3	V	402756
265	290	247	14,3	25	15	$d_1 + 10$	$d_1 + 45$	20 ± 4	VR1	R	402750
		247	14,3	25	15	$d_1 + 10$	$d_1 + 45$	20 ± 4	VR1	V	402754
285	310	270	6	10,5	6,5	$d_1 + 5$	$d_1 + 20$	$8 \pm 1,5$	VR3	R	403002
		270	6	10,5	6,5	$d_1 + 5$	$d_1 + 20$	$8 \pm 1,5$	VR3	V	403006
290	310	270	14,3	25	15	$d_1 + 10$	$d_1 + 45$	20 ± 4	VR1	R	403000
		270	14,3	25	15	$d_1 + 10$	$d_1 + 45$	20 ± 4	VR1	V	403004
300	305	294	32,5	65	30	$d_1 + 24$	$d_1 + 115$	50 ± 12	VR4	R	403003
		294	32,5	65	21	$d_1 + 24$	$d_1 + 115$	50 ± 12	VR6	R	403001
305	310	299	32,5	65	30	$d_1 + 24$	$d_1 + 115$	50 ± 12	VR4	R	403053
		299	32,5	65	21	$d_1 + 24$	$d_1 + 115$	50 ± 12	VR6	R	403006
310	335	292	6	10,5	6,5	$d_1 + 5$	$d_1 + 20$	$8 \pm 1,5$	VR3	R	403252
		292	6	10,5	6,5	$d_1 + 5$	$d_1 + 20$	$8 \pm 1,5$	VR3	V	403256

Dimensions		Seal inside diameter, free state d	Seal seat width b ₁	Nominal seal width b	Nominal seal height c	Clearance D ₁ max	Counterface D min	Seal fitted width B ₁	Design	Lip code	Designation
Shaft diameter range d ₁ over	incl.										
mm											
310 cont.	335	292	14,3	25	15	d ₁ + 10	d ₁ + 45	20 ± 4	VR1	R	403250
		292	14,3	25	15	d ₁ + 10	d ₁ + 45	20 ± 4	VR1	V	403254
310	315	304	32,5	65	30	d ₁ + 24	d ₁ + 115	50 ± 12	VR4	R	403103
		304	32,5	65	21	d ₁ + 24	d ₁ + 115	50 ± 12	VR6	R	470311
315	320	309	32,5	65	30	d ₁ + 24	d ₁ + 115	50 ± 12	VR4	R	403153
		309	32,5	65	21	d ₁ + 24	d ₁ + 115	50 ± 12	VR6	R	470316
320	325	314	32,5	65	30	d ₁ + 24	d ₁ + 115	50 ± 12	VR4	R	403203
		314	32,5	65	21	d ₁ + 24	d ₁ + 115	50 ± 12	VR6	R	470321
325	330	319	32,5	65	30	d ₁ + 24	d ₁ + 115	50 ± 12	VR4	R	403253
		319	32,5	65	21	d ₁ + 24	d ₁ + 115	50 ± 12	VR6	R	470326
330	335	323	32,5	65	30	d ₁ + 24	d ₁ + 115	50 ± 12	VR4	R	403303
		323	32,5	65	21	d ₁ + 24	d ₁ + 115	50 ± 12	VR6	R	470331
335	365	315	6	10,5	6,5	d ₁ + 5	d ₁ + 20	8 ± 1,5	VR3	R	403502
		315	6	10,5	6,5	d ₁ + 5	d ₁ + 20	8 ± 1,5	VR3	V	403506
		315	14,3	25	15	d ₁ + 10	d ₁ + 45	20 ± 4	VR1	R	403500
		315	14,3	25	15	d ₁ + 10	d ₁ + 45	20 ± 4	VR1	V	403504
335	340	328	32,5	65	30	d ₁ + 24	d ₁ + 115	50 ± 12	VR4	R	403353
		328	32,5	65	21	d ₁ + 24	d ₁ + 115	50 ± 12	VR6	R	470336
340	345	333	32,5	65	30	d ₁ + 24	d ₁ + 115	50 ± 12	VR4	R	403403
		328	32,5	65	21	d ₁ + 24	d ₁ + 115	50 ± 12	VR6	R	470341
345	350	338	32,5	65	30	d ₁ + 24	d ₁ + 115	50 ± 12	VR4	R	403453
		338	32,5	65	21	d ₁ + 24	d ₁ + 115	50 ± 12	VR6	R	470346
350	355	343	32,5	65	30	d ₁ + 24	d ₁ + 115	50 ± 12	VR4	R	403503
		343	32,5	65	21	d ₁ + 24	d ₁ + 115	50 ± 12	VR6	R	470351
355	360	347	32,5	65	30	d ₁ + 24	d ₁ + 115	50 ± 12	VR4	R	403553
		347	32,5	65	21	d ₁ + 24	d ₁ + 115	50 ± 12	VR6	R	470356
360	365	352	32,5	65	30	d ₁ + 24	d ₁ + 115	50 ± 12	VR4	R	403603
		357	32,5	65	21	d ₁ + 24	d ₁ + 115	50 ± 12	VR6	R	470361
365	385	337	6	10,5	6,5	d ₁ + 5	d ₁ + 20	8 ± 1,5	VR3	R	403752
		337	6	10,5	6,5	d ₁ + 5	d ₁ + 20	8 ± 1,5	VR3	V	403756
365	390	337	14,3	25	15	d ₁ + 10	d ₁ + 45	20 ± 4	VR1	R	403750
		337	14,3	25	15	d ₁ + 10	d ₁ + 45	20 ± 4	VR1	V	403754
		357	32,5	65	30	d ₁ + 24	d ₁ + 115	50 ± 12	VR4	R	403653
370	375	362	32,5	65	30	d ₁ + 24	d ₁ + 115	50 ± 12	VR4	R	403703
		362	32,5	65	21	d ₁ + 24	d ₁ + 115	50 ± 12	VR6	R	470371
375	380	367	32,5	65	30	d ₁ + 24	d ₁ + 115	50 ± 12	VR4	R	403753
		367	32,5	65	21	d ₁ + 24	d ₁ + 115	50 ± 12	VR6	R	470376
380	385	371	32,5	65	30	d ₁ + 24	d ₁ + 115	50 ± 12	VR4	R	403803
		371	32,5	65	21	d ₁ + 24	d ₁ + 115	50 ± 12	VR6	R	470381
385	410	360	6	10,5	6,5	d ₁ + 5	d ₁ + 20	8 ± 1,5	VR3	R	404002
		360	6	10,5	6,5	d ₁ + 5	d ₁ + 20	8 ± 1,5	VR3	V	404006
390	430	360	14,3	25	15	d ₁ + 10	d ₁ + 45	20 ± 4	VR1	R	404000
		360	14,3	25	15	d ₁ + 10	d ₁ + 45	20 ± 4	VR1	V	404004
385	390	376	32,5	65	30	d ₁ + 24	d ₁ + 115	50 ± 12	VR4	R	403853
		376	32,5	65	21	d ₁ + 24	d ₁ + 115	50 ± 12	VR6	R	470386
390	395	381	32,5	65	30	d ₁ + 24	d ₁ + 115	50 ± 12	VR4	R	403903
		381	32,5	65	21	d ₁ + 24	d ₁ + 115	50 ± 12	VR6	R	470391

V-ring seals – metric dimensions, for North American market
d₁ 395 – 540 mm

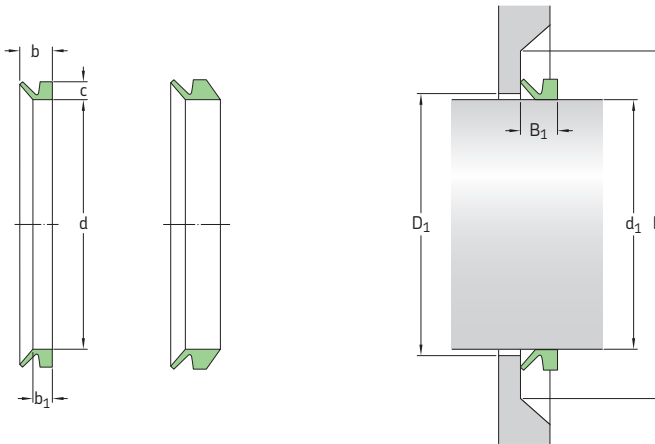


Dimensions		Seal inside diameter, free state d	Seal seat width b ₁	Nominal seal width b	Nominal seal height c	Clearance D ₁ max	Counterface D min	Seal fitted width B ₁	Design	Lip code	Designation
Shaft diameter range d ₁ over	incl.										
mm											
395	400	386	32,5	65	30	d ₁ + 24	d ₁ + 115	50 ± 12	VR4	R	403953
		386	32,5	65	21	d ₁ + 24	d ₁ + 115	50 ± 12	VR6	R	470396
400	405	391	32,5	65	30	d ₁ + 24	d ₁ + 115	50 ± 12	VR4	R	404003
		391	32,5	65	21	d ₁ + 24	d ₁ + 115	50 ± 12	VR6	R	470401
405	410	396	32,5	65	30	d ₁ + 24	d ₁ + 115	50 ± 12	VR4	R	404053
		396	32,5	65	21	d ₁ + 24	d ₁ + 115	50 ± 12	VR6	R	470406
410	415	401	32,5	65	30	d ₁ + 24	d ₁ + 115	50 ± 12	VR4	R	404103
		401	32,5	65	21	d ₁ + 24	d ₁ + 115	50 ± 12	VR6	R	470411
415	420	405	32,5	65	30	d ₁ + 24	d ₁ + 115	50 ± 12	VR4	R	404153
		405	32,5	65	21	d ₁ + 24	d ₁ + 115	50 ± 12	VR6	R	470416
420	425	410	32,5	65	30	d ₁ + 24	d ₁ + 115	50 ± 12	VR4	R	404203
		410	32,5	65	21	d ₁ + 24	d ₁ + 115	50 ± 12	VR6	R	470421
425	430	415	32,5	65	30	d ₁ + 24	d ₁ + 115	50 ± 12	VR4	R	404253
		415	32,5	65	21	d ₁ + 24	d ₁ + 115	50 ± 12	VR6	R	470426
410	440	382	6	10,5	6,5	d ₁ + 5	d ₁ + 20	8 ± 1,5	VR3	R	404252
		382	6	10,5	6,5	d ₁ + 5	d ₁ + 20	8 ± 1,5	VR3	V	404256
440	475	405	6	10,5	6,5	d ₁ + 5	d ₁ + 20	8 ± 1,5	VR3	R	404502
		405	6	10,5	6,5	d ₁ + 5	d ₁ + 20	8 ± 1,5	VR3	V	404506
430	480	405	14,3	25	15	d ₁ + 10	d ₁ + 45	20 ± 4	VR1	R	404500
		405	14,3	25	15	d ₁ + 10	d ₁ + 45	20 ± 4	VR1	V	404504
430	435	420	32,5	65	30	d ₁ + 24	d ₁ + 115	50 ± 12	VR4	R	404303
		420	32,5	65	21	d ₁ + 24	d ₁ + 115	50 ± 12	VR6	R	470431
435	440	425	32,5	65	30	d ₁ + 24	d ₁ + 115	50 ± 12	VR4	R	404353
		425	32,5	65	21	d ₁ + 24	d ₁ + 115	50 ± 12	VR6	R	470436
440	445	429	32,5	65	30	d ₁ + 24	d ₁ + 115	50 ± 12	VR4	R	404403
		429	32,5	65	21	d ₁ + 24	d ₁ + 115	50 ± 12	VR6	R	470441
445	450	434	32,5	65	30	d ₁ + 24	d ₁ + 115	50 ± 12	VR4	R	404453
		434	32,5	65	21	d ₁ + 24	d ₁ + 115	50 ± 12	VR6	R	470446

Dimensions		Seal inside diameter, free state d	Seal seat width b ₁	Nominal seal width b	Nominal seal height c	Clearance D ₁ max	Counterface D min	Seal fitted width B ₁	Design	Lip code	Designation
Shaft diameter d ₁ over	incl.										
mm											
450	455	439	32,5	65	30	d ₁ + 24	d ₁ + 115	50 ± 12	VR4	R	404503
		439	32,5	65	21	d ₁ + 24	d ₁ + 115	50 ± 12	VR6	R	470451
455	460	444	32,5	65	30	d ₁ + 24	d ₁ + 115	50 ± 12	VR4	R	404553
		444	32,5	65	21	d ₁ + 24	d ₁ + 115	50 ± 12	VR6	R	470456
460	465	448	32,5	65	30	d ₁ + 24	d ₁ + 115	50 ± 12	VR4	R	404603
		448	32,5	65	21	d ₁ + 24	d ₁ + 115	50 ± 12	VR6	R	470461
465	470	453	32,5	65	30	d ₁ + 24	d ₁ + 115	50 ± 12	VR4	R	404653
		453	32,5	65	21	d ₁ + 24	d ₁ + 115	50 ± 12	VR6	R	470466
470	475	458	32,5	65	30	d ₁ + 24	d ₁ + 115	50 ± 12	VR4	R	404703
		458	32,5	65	21	d ₁ + 24	d ₁ + 115	50 ± 12	VR6	R	470471
475	480	463	32,5	65	30	d ₁ + 24	d ₁ + 115	50 ± 12	VR4	R	404753
		463	32,5	65	21	d ₁ + 24	d ₁ + 115	50 ± 12	VR6	R	470476
475	510	450	6	10,5	6,5	d ₁ + 5	d ₁ + 20	8 ± 1,5	VR3	R	405002
		450	6	10,5	6,5	d ₁ + 5	d ₁ + 20	8 ± 1,5	VR3	V	405006
510	540	472	6	10,5	6,5	d ₁ + 5	d ₁ + 20	8 ± 1,5	VR3	R	405252
		472	6	10,5	6,5	d ₁ + 5	d ₁ + 20	8 ± 1,5	VR3	V	405256
480	530	450	14,3	25	15	d ₁ + 10	d ₁ + 45	20 ± 4	VR1	R	405000
		450	14,3	25	15	d ₁ + 10	d ₁ + 45	20 ± 4	VR1	V	405004
480	485	468	32,5	65	30	d ₁ + 24	d ₁ + 115	50 ± 12	VR4	R	404803
		468	32,5	65	21	d ₁ + 24	d ₁ + 115	50 ± 12	VR6	R	470481
485	490	473	32,5	65	30	d ₁ + 24	d ₁ + 115	50 ± 12	VR4	R	404853
		473	32,5	65	21	d ₁ + 24	d ₁ + 115	50 ± 12	VR6	R	470486
490	495	478	32,5	65	30	d ₁ + 24	d ₁ + 115	50 ± 12	VR4	R	404903
		478	32,5	65	21	d ₁ + 24	d ₁ + 115	50 ± 12	VR6	R	470491
495	500	483	32,5	65	30	d ₁ + 24	d ₁ + 115	50 ± 12	VR4	R	404953
		483	32,5	65	21	d ₁ + 24	d ₁ + 115	50 ± 12	VR6	R	470496
500	505	488	32,5	65	30	d ₁ + 24	d ₁ + 115	50 ± 12	VR4	R	405003
		488	32,5	65	21	d ₁ + 24	d ₁ + 115	50 ± 12	VR6	R	470501
505	510	493	32,5	65	30	d ₁ + 24	d ₁ + 115	50 ± 12	VR4	R	405053
		493	32,5	65	21	d ₁ + 24	d ₁ + 115	50 ± 12	VR6	R	470506
510	515	497	32,5	65	30	d ₁ + 24	d ₁ + 115	50 ± 12	VR4	R	405103
		497	32,5	65	21	d ₁ + 24	d ₁ + 115	50 ± 12	VR6	R	470511
515	520	502	32,5	65	30	d ₁ + 24	d ₁ + 115	50 ± 12	VR4	R	405153
		502	32,5	65	21	d ₁ + 24	d ₁ + 115	50 ± 12	VR6	R	470516
520	525	507	32,5	65	30	d ₁ + 24	d ₁ + 115	50 ± 12	VR4	R	405203
		507	32,5	65	21	d ₁ + 24	d ₁ + 115	50 ± 12	VR6	R	470521
525	530	512	32,5	65	30	d ₁ + 24	d ₁ + 115	50 ± 12	VR4	R	405253
		512	32,5	65	21	d ₁ + 24	d ₁ + 115	50 ± 12	VR6	R	470526
540	575	495	6	10,5	6,5	d ₁ + 5	d ₁ + 20	8 ± 1,5	VR3	R	405502
		495	6	10,5	6,5	d ₁ + 5	d ₁ + 20	8 ± 1,5	VR3	V	405506
530	580	495	14,3	25	15	d ₁ + 10	d ₁ + 45	20 ± 4	VR1	R	405500
		495	14,3	25	15	d ₁ + 10	d ₁ + 45	20 ± 4	VR1	V	405504
530	535	517	32,5	65	30	d ₁ + 24	d ₁ + 115	50 ± 12	VR4	R	405303
		517	32,5	65	21	d ₁ + 24	d ₁ + 115	50 ± 12	VR6	R	470531
535	540	521	32,5	65	30	d ₁ + 24	d ₁ + 115	50 ± 12	VR4	R	405353
		521	32,5	65	21	d ₁ + 24	d ₁ + 115	50 ± 12	VR6	R	470536

V-ring seals – metric dimensions, for North American market

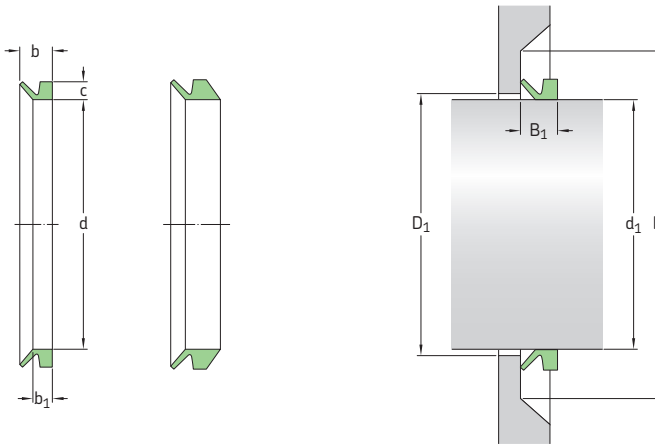
d_1 540 – 758 mm



Dimensions		Seal inside diameter, free state d	Seal seat width b_1	Nominal seal width b	Nominal seal height c	Clearance D_1 max	Counterface D min	Seal fitted width B_1	Design	Lip code	Designation
Shaft diameter range d_1 over	incl.										
mm											
540	545	526	32,5	65	30	$d_1 + 24$	$d_1 + 115$	50 ± 12	VR4	R	405403
		526	32,5	65	21	$d_1 + 24$	$d_1 + 115$	50 ± 12	VR6	R	470541
545	550	531	32,5	65	30	$d_1 + 24$	$d_1 + 115$	50 ± 12	VR4	R	405453
		531	32,5	65	21	$d_1 + 24$	$d_1 + 115$	50 ± 12	VR6	R	470546
550	555	536	32,5	65	30	$d_1 + 24$	$d_1 + 115$	50 ± 12	VR4	R	405503
		536	32,5	65	21	$d_1 + 24$	$d_1 + 115$	50 ± 12	VR6	R	470551
555	560	541	32,5	65	30	$d_1 + 24$	$d_1 + 115$	50 ± 12	VR4	R	405553
		541	32,5	65	21	$d_1 + 24$	$d_1 + 115$	50 ± 12	VR6	R	470556
560	565	546	32,5	65	30	$d_1 + 24$	$d_1 + 115$	50 ± 12	VR4	R	405603
		546	32,5	65	21	$d_1 + 24$	$d_1 + 115$	50 ± 12	VR6	R	470561
565	570	550	32,5	65	30	$d_1 + 24$	$d_1 + 115$	50 ± 12	VR4	R	405653
		550	32,5	65	21	$d_1 + 24$	$d_1 + 115$	50 ± 12	VR6	R	470566
570	575	555	32,5	65	30	$d_1 + 24$	$d_1 + 115$	50 ± 12	VR4	R	405703
		555	32,5	65	21	$d_1 + 24$	$d_1 + 115$	50 ± 12	VR6	R	470571
575	580	560	32,5	65	30	$d_1 + 24$	$d_1 + 115$	50 ± 12	VR4	R	405753
		560	32,5	65	21	$d_1 + 24$	$d_1 + 115$	50 ± 12	VR6	R	470576
575	625	540	6	10,5	6,5	$d_1 + 5$	$d_1 + 20$	$8 \pm 1,5$	VR3	R	406002
		540	6	10,5	6,5	$d_1 + 5$	$d_1 + 20$	$8 \pm 1,5$	VR3	V	406006
580	630	540	14,3	25	15	$d_1 + 10$	$d_1 + 45$	20 ± 4	VR1	R	406000
		540	14,3	25	15	$d_1 + 10$	$d_1 + 45$	20 ± 4	VR1	V	406004
580	585	565	32,5	65	30	$d_1 + 24$	$d_1 + 115$	50 ± 12	VR4	R	405803
		565	32,5	65	21	$d_1 + 24$	$d_1 + 115$	50 ± 12	VR6	R	470581
585	590	570	32,5	65	30	$d_1 + 24$	$d_1 + 115$	50 ± 12	VR4	R	405853
		570	32,5	65	21	$d_1 + 24$	$d_1 + 115$	50 ± 12	VR6	R	470586
590	600	575	32,5	65	30	$d_1 + 24$	$d_1 + 115$	50 ± 12	VR4	R	405903
		575	32,5	65	21	$d_1 + 24$	$d_1 + 115$	50 ± 12	VR6	R	470591
600	610	582	32,5	65	30	$d_1 + 24$	$d_1 + 115$	50 ± 12	VR4	R	406003
		582	32,5	65	21	$d_1 + 24$	$d_1 + 115$	50 ± 12	VR6	R	470601

Dimensions		Seal inside diameter, free state d	Seal seat width b ₁	Nominal seal width b	Nominal seal height c	Clearance D ₁ max	Counterface D min	Seal fitted width B ₁	Design	Lip code	Designation
Shaft diameter range d ₁ over	incl.										
mm											
610	620	592	32,5	65	30	d ₁ + 24	d ₁ + 115	50 ± 12	VR4	R	406103
		592	32,5	65	21	d ₁ + 24	d ₁ + 115	50 ± 12	VR6	R	470611
620	630	602	32,5	65	30	d ₁ + 24	d ₁ + 115	50 ± 12	VR4	R	406203
		602	32,5	65	21	d ₁ + 24	d ₁ + 115	50 ± 12	VR6	R	470621
615	675	600	6	10,5	6,5	d ₁ + 5	d ₁ + 20	8 ± 1,5	VR3	R	406502
		600	6	10,5	6,5	d ₁ + 5	d ₁ + 20	8 ± 1,5	VR3	V	406506
630	665	600	14,3	25	15	d ₁ + 10	d ₁ + 45	20 ± 4	VR1	R	406500
		600	14,3	25	15	d ₁ + 10	d ₁ + 45	20 ± 4	VR1	V	406504
630	640	612	32,5	65	30	d ₁ + 24	d ₁ + 115	50 ± 12	VR4	R	406303
		612	32,5	65	21	d ₁ + 24	d ₁ + 115	50 ± 12	VR6	R	470631
640	650	621	32,5	65	30	d ₁ + 24	d ₁ + 115	50 ± 12	VR4	R	406403
		621	32,5	65	21	d ₁ + 24	d ₁ + 115	50 ± 12	VR6	R	470641
650	660	631	32,5	65	30	d ₁ + 24	d ₁ + 115	50 ± 12	VR4	R	406503
		631	32,5	65	21	d ₁ + 24	d ₁ + 115	50 ± 12	VR6	R	470651
660	670	640	32,5	65	30	d ₁ + 24	d ₁ + 115	50 ± 12	VR4	R	406603
		640	32,5	65	21	d ₁ + 24	d ₁ + 115	50 ± 12	VR6	R	470661
675	710	630	6	10,5	6,5	d ₁ + 5	d ₁ + 20	8 ± 1,5	VR3	R	407002
		630	6	10,5	6,5	d ₁ + 5	d ₁ + 20	8 ± 1,5	VR3	V	407006
665	705	630	14,3	25	15	d ₁ + 10	d ₁ + 45	20 ± 4	VR1	R	407000
		630	14,3	25	15	d ₁ + 10	d ₁ + 45	20 ± 4	VR1	V	407004
670	680	650	32,5	65	30	d ₁ + 24	d ₁ + 115	50 ± 12	VR4	R	406703
		650	32,5	65	21	d ₁ + 24	d ₁ + 115	50 ± 12	VR6	R	470671
680	690	660	32,5	65	30	d ₁ + 24	d ₁ + 115	50 ± 12	VR4	R	406803
		660	32,5	65	21	d ₁ + 24	d ₁ + 115	50 ± 12	VR6	R	470681
690	700	670	32,5	65	30	d ₁ + 24	d ₁ + 115	50 ± 12	VR4	R	406903
		670	32,5	65	21	d ₁ + 24	d ₁ + 115	50 ± 12	VR6	R	470691
700	710	680	32,5	65	30	d ₁ + 24	d ₁ + 115	50 ± 12	VR4	R	407003
		680	32,5	65	21	d ₁ + 24	d ₁ + 115	50 ± 12	VR6	R	470701
710	740	670	6	10,5	6,5	d ₁ + 5	d ₁ + 20	8 ± 1,5	VR3	R	407252
		670	6	10,5	6,5	d ₁ + 5	d ₁ + 20	8 ± 1,5	VR3	V	407256
705	745	670	14,3	25	15	d ₁ + 10	d ₁ + 45	20 ± 4	VR1	R	407250
		670	14,3	25	15	d ₁ + 10	d ₁ + 45	20 ± 4	VR1	V	407254
710	720	689	32,5	65	30	d ₁ + 24	d ₁ + 115	50 ± 12	VR4	R	407103
		689	32,5	65	21	d ₁ + 24	d ₁ + 115	50 ± 12	VR6	R	470711
720	730	699	32,5	65	30	d ₁ + 24	d ₁ + 115	50 ± 12	VR4	R	407203
		699	32,5	65	21	d ₁ + 24	d ₁ + 115	50 ± 12	VR6	R	470721
730	740	709	32,5	65	30	d ₁ + 24	d ₁ + 115	50 ± 12	VR4	R	407303
		709	32,5	65	21	d ₁ + 24	d ₁ + 115	50 ± 12	VR6	R	470731
740	750	718	32,5	65	30	d ₁ + 24	d ₁ + 115	50 ± 12	VR4	R	407403
		718	32,5	65	21	d ₁ + 24	d ₁ + 115	50 ± 12	VR6	R	470741
740	775	705	6	10,5	6,5	d ₁ + 5	d ₁ + 20	8 ± 1,5	VR3	R	407502
		705	6	10,5	6,5	d ₁ + 5	d ₁ + 20	8 ± 1,5	VR3	V	407506
745	785	705	14,3	25	15	d ₁ + 10	d ₁ + 45	20 ± 4	VR1	R	407500
		705	14,3	25	15	d ₁ + 10	d ₁ + 45	20 ± 4	VR1	V	407504
750	758	728	32,5	65	30	d ₁ + 24	d ₁ + 115	50 ± 12	VR4	R	407503
		728	32,5	65	21	d ₁ + 24	d ₁ + 115	50 ± 12	VR6	R	470751

V-ring seals – metric dimensions, for North American market
d₁ 758 – 1 045 mm

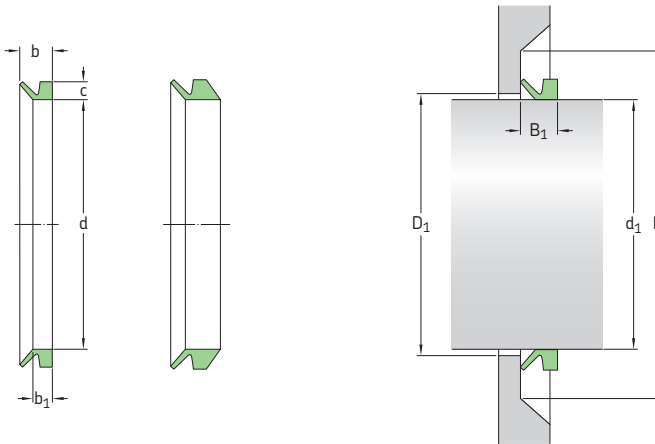


Dimensions		Seal inside diameter, free state d	Seal seat width b ₁	Nominal seal width b	Nominal seal height c	Clearance D ₁ max	Counterface D min	Seal fitted width B ₁	Design	Lip code	Designation
Shaft diameter range d ₁ over	incl.										
mm											
758	766	735	32,5	65	30	d ₁ + 24	d ₁ + 115	50 ± 12	VR4	R	407603
		735	32,5	65	21	d ₁ + 24	d ₁ + 115	50 ± 12	VR6	R	470761
766	774	743	32,5	65	30	d ₁ + 24	d ₁ + 115	50 ± 12	VR4	R	407703
		743	32,5	65	21	d ₁ + 24	d ₁ + 115	50 ± 12	VR6	R	470771
774	783	751	32,5	65	30	d ₁ + 24	d ₁ + 115	50 ± 12	VR4	R	407803
		751	32,5	65	21	d ₁ + 24	d ₁ + 115	50 ± 12	VR6	R	470781
783	792	759	32,5	65	30	d ₁ + 24	d ₁ + 115	50 ± 12	VR4	R	407903
		759	32,5	65	21	d ₁ + 24	d ₁ + 115	50 ± 12	VR6	R	470791
775	825	745	6	10,5	6,5	d ₁ + 5	d ₁ + 20	8 ± 1,5	VR3	R	408002
		745	6	10,5	6,5	d ₁ + 5	d ₁ + 20	8 ± 1,5	VR3	V	408006
785	830	745	14,3	25	15	d ₁ + 10	d ₁ + 45	20 ± 4	VR1	R	408000
		745	14,3	25	15	d ₁ + 10	d ₁ + 45	20 ± 4	VR1	V	408004
792	801	768	32,5	65	30	d ₁ + 24	d ₁ + 115	50 ± 12	VR4	R	408003
		768	32,5	65	21	d ₁ + 24	d ₁ + 115	50 ± 12	VR6	R	470801
801	810	777	32,5	65	30	d ₁ + 24	d ₁ + 115	50 ± 12	VR4	R	408103
		777	32,5	65	21	d ₁ + 24	d ₁ + 115	50 ± 12	VR6	R	470811
810	821	786	32,5	65	30	d ₁ + 24	d ₁ + 115	50 ± 12	VR4	R	408203
		786	32,5	65	21	d ₁ + 24	d ₁ + 115	50 ± 12	VR6	R	470821
821	831	796	32,5	65	30	d ₁ + 24	d ₁ + 115	50 ± 12	VR4	R	408303
		796	32,5	65	21	d ₁ + 24	d ₁ + 115	50 ± 12	VR6	R	470831
825	875	785	6	10,5	6,5	d ₁ + 5	d ₁ + 20	8 ± 1,5	VR3	R	408502
		785	6	10,5	6,5	d ₁ + 5	d ₁ + 20	8 ± 1,5	VR3	V	408506
830	875	785	14,3	25	15	d ₁ + 10	d ₁ + 45	20 ± 4	VR1	R	408500
		785	14,3	25	15	d ₁ + 10	d ₁ + 45	20 ± 4	VR1	V	408504
831	841	805	32,5	65	30	d ₁ + 24	d ₁ + 115	50 ± 12	VR4	R	408403
		805	32,5	65	21	d ₁ + 24	d ₁ + 115	50 ± 12	VR6	R	470841
841	851	814	32,5	65	30	d ₁ + 24	d ₁ + 115	50 ± 12	VR4	R	408503
		814	32,5	65	21	d ₁ + 24	d ₁ + 115	50 ± 12	VR6	R	470851

Dimensions		Seal inside diameter, free state d	Seal seat width b ₁	Nominal seal width b	Nominal seal height c	Clearance D ₁ max	Counterface D min	Seal fitted width B ₁	Design	Lip code	Designation
Shaft diameter range d ₁ over	incl.										
mm											
851	861	824	32,5	65	30	d ₁ + 24	d ₁ + 115	50 ± 12	VR4	R	408603
		824	32,5	65	21	d ₁ + 24	d ₁ + 115	50 ± 12	VR6	R	470861
861	871	833	32,5	65	30	d ₁ + 24	d ₁ + 115	50 ± 12	VR4	R	408703
		833	32,5	65	21	d ₁ + 24	d ₁ + 115	50 ± 12	VR6	R	470871
871	882	843	32,5	65	30	d ₁ + 24	d ₁ + 115	50 ± 12	VR4	R	408803
		843	32,5	65	21	d ₁ + 24	d ₁ + 115	50 ± 12	VR6	R	470881
875	925	825	6	10,5	6,5	d ₁ + 5	d ₁ + 20	8 ± 1,5	VR3	R	409002
		825	6	10,5	6,5	d ₁ + 5	d ₁ + 20	8 ± 1,5	VR3	V	409006
875	920	825	14,3	25	15	d ₁ + 10	d ₁ + 45	20 ± 4	VR1	R	409000
		825	14,3	25	15	d ₁ + 10	d ₁ + 45	20 ± 4	VR1	V	409004
882	892	853	32,5	65	30	d ₁ + 24	d ₁ + 115	50 ± 12	VR4	R	408903
		853	32,5	65	21	d ₁ + 24	d ₁ + 115	50 ± 12	VR6	R	470891
892	912	871	32,5	65	30	d ₁ + 24	d ₁ + 115	50 ± 12	VR4	R	409003
		871	32,5	65	21	d ₁ + 24	d ₁ + 115	50 ± 12	VR6	R	470901
912	922	880	32,5	65	30	d ₁ + 24	d ₁ + 115	50 ± 12	VR4	R	409203
		880	32,5	65	21	d ₁ + 24	d ₁ + 115	50 ± 12	VR6	R	470921
925	975	865	6	10,5	6,5	d ₁ + 5	d ₁ + 20	8 ± 1,5	VR3	R	409502
		865	6	10,5	6,5	d ₁ + 5	d ₁ + 20	8 ± 1,5	VR3	V	409506
920	965	865	14,3	25	15	d ₁ + 10	d ₁ + 45	20 ± 4	VR1	R	409500
		865	14,3	25	15	d ₁ + 10	d ₁ + 45	20 ± 4	VR1	V	409504
922	933	890	32,5	65	30	d ₁ + 24	d ₁ + 115	50 ± 12	VR4	R	409303
		890	32,5	65	21	d ₁ + 24	d ₁ + 115	50 ± 12	VR6	R	470931
933	944	900	32,5	65	30	d ₁ + 24	d ₁ + 115	50 ± 12	VR4	R	409403
		900	32,5	65	21	d ₁ + 24	d ₁ + 115	50 ± 12	VR6	R	470941
944	955	911	32,5	65	30	d ₁ + 24	d ₁ + 115	50 ± 12	VR4	R	409503
		911	32,5	65	21	d ₁ + 24	d ₁ + 115	50 ± 12	VR6	R	470951
955	966	921	32,5	65	30	d ₁ + 24	d ₁ + 115	50 ± 12	VR4	R	409603
		921	32,5	65	21	d ₁ + 24	d ₁ + 115	50 ± 12	VR6	R	470961
975	1025	910	6	10,5	6,5	d ₁ + 5	d ₁ + 20	8 ± 1,5	VR3	R	410002
		910	6	10,5	6,5	d ₁ + 5	d ₁ + 20	8 ± 1,5	VR3	V	410006
965	1015	910	14,3	25	15	d ₁ + 10	d ₁ + 45	20 ± 4	VR1	R	410000
		910	14,3	25	15	d ₁ + 10	d ₁ + 45	20 ± 4	VR1	V	410004
966	977	932	32,5	65	30	d ₁ + 24	d ₁ + 115	50 ± 12	VR4	R	409703
		932	32,5	65	21	d ₁ + 24	d ₁ + 115	50 ± 12	VR6	R	470971
977	988	942	32,5	65	30	d ₁ + 24	d ₁ + 115	50 ± 12	VR4	R	409803
		942	32,5	65	21	d ₁ + 24	d ₁ + 115	50 ± 12	VR6	R	470981
988	999	953	32,5	65	30	d ₁ + 24	d ₁ + 115	50 ± 12	VR4	R	409903
		953	32,5	65	21	d ₁ + 24	d ₁ + 115	50 ± 12	VR6	R	470991
999	1010	963	32,5	65	30	d ₁ + 24	d ₁ + 115	50 ± 12	VR4	R	410003
		963	32,5	65	21	d ₁ + 24	d ₁ + 115	50 ± 12	VR6	R	471001
1010	1025	973	32,5	65	30	d ₁ + 24	d ₁ + 115	50 ± 12	VR4	R	410203
		973	32,5	65	21	d ₁ + 24	d ₁ + 115	50 ± 12	VR6	R	471021
1025	1075	955	6	10,5	6,5	d ₁ + 5	d ₁ + 20	8 ± 1,5	VR3	R	410502
		955	6	10,5	6,5	d ₁ + 5	d ₁ + 20	8 ± 1,5	VR3	V	410506
1015	1065	955	14,3	25	15	d ₁ + 10	d ₁ + 45	20 ± 4	VR1	R	410500
1025	1045	990	32,5	65	30	d ₁ + 24	d ₁ + 115	50 ± 12	VR4	R	410403
		990	32,5	65	21	d ₁ + 24	d ₁ + 115	50 ± 12	VR6	R	471041



V-ring seals – metric dimensions, for North American market
 d_1 1 045 – 1 540 mm

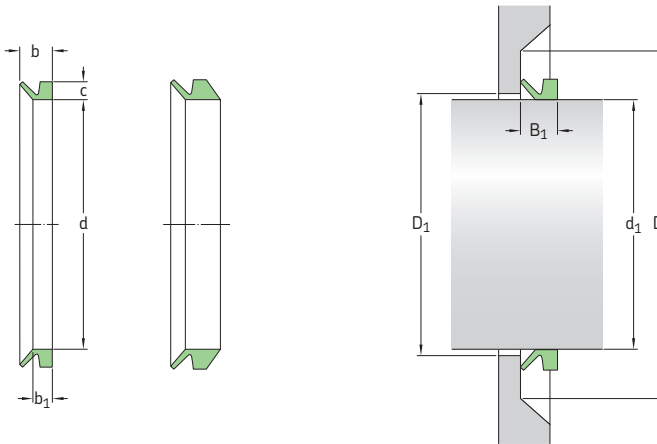


Dimensions		Seal inside diameter, free state d	Seal seat width b_1	Nominal seal width b	Nominal seal height c	Clearance D_1 max	Counterface D min	Seal fitted width B_1	Design	Lip code	Designation
Shaft diameter range d_1 over	incl.										
mm											
1 045	1 065	1 008	32,5	65	30	$d_1 + 24$	$d_1 + 115$	50 ± 12	VR4	R	4110603
		1 008	32,5	65	21	$d_1 + 24$	$d_1 + 115$	50 ± 12	VR6	R	471061
1 075	1 125	1 000	6	10,5	6,5	$d_1 + 5$	$d_1 + 20$	$8 \pm 1,5$	VR3	R	411002
		1 000	6	10,5	6,5	$d_1 + 5$	$d_1 + 20$	$8 \pm 1,5$	VR3	V	411006
1 065	1 115	1 000	14,3	25	15	$d_1 + 10$	$d_1 + 45$	20 ± 4	VR1	R	411000
		1 027	32,5	65	30	$d_1 + 24$	$d_1 + 115$	50 ± 12	VR4	R	410803
		1 027	32,5	65	21	$d_1 + 24$	$d_1 + 115$	50 ± 12	VR6	R	471081
1 085	1 105	1 045	32,5	65	30	$d_1 + 24$	$d_1 + 115$	50 ± 12	VR4	R	411003
		1 045	32,5	65	21	$d_1 + 24$	$d_1 + 115$	50 ± 12	VR6	R	471101
1 105	1 125	1 065	32,5	65	30	$d_1 + 24$	$d_1 + 115$	50 ± 12	VR4	R	411203
		1 065	32,5	65	21	$d_1 + 24$	$d_1 + 115$	50 ± 12	VR6	R	471121
1 125	1 175	1 045	6	10,5	6,5	$d_1 + 5$	$d_1 + 20$	$8 \pm 1,5$	VR3	R	411502
		1 045	6	10,5	6,5	$d_1 + 5$	$d_1 + 20$	$8 \pm 1,5$	VR3	V	411506
1 115	1 165	1 045	14,3	25	15	$d_1 + 10$	$d_1 + 45$	20 ± 4	VR1	R	411500
1 125	1 145	1 084	32,5	65	30	$d_1 + 24$	$d_1 + 115$	50 ± 12	VR4	R	411403
		1 084	32,5	65	21	$d_1 + 24$	$d_1 + 115$	50 ± 12	VR6	R	471141
1 145	1 165	1 103	32,5	65	30	$d_1 + 24$	$d_1 + 115$	50 ± 12	VR4	R	411603
		1 103	32,5	65	21	$d_1 + 24$	$d_1 + 115$	50 ± 12	VR6	R	471161
1 175	1 225	1 090	6	10,5	6,5	$d_1 + 5$	$d_1 + 20$	$8 \pm 1,5$	VR3	R	412002
		1 090	6	10,5	6,5	$d_1 + 5$	$d_1 + 20$	$8 \pm 1,5$	VR3	V	412006
1 165	1 215	1 090	14,3	25	15	$d_1 + 10$	$d_1 + 45$	20 ± 4	VR1	R	412000
1 165	1 185	1 121	32,5	65	30	$d_1 + 24$	$d_1 + 115$	50 ± 12	VR4	R	411803
		1 121	32,5	65	21	$d_1 + 24$	$d_1 + 115$	50 ± 12	VR6	R	471181
1 185	1 205	1 139	32,5	65	30	$d_1 + 24$	$d_1 + 115$	50 ± 12	VR4	R	412003
		1 139	32,5	65	21	$d_1 + 24$	$d_1 + 115$	50 ± 12	VR6	R	471201
1 205	1 225	1 157	32,5	65	30	$d_1 + 24$	$d_1 + 115$	50 ± 12	VR4	R	412203
		1 157	32,5	65	21	$d_1 + 24$	$d_1 + 115$	50 ± 12	VR6	R	471221

Dimensions		Seal inside diameter, free state d	Seal seat width b ₁	Nominal seal width b	Nominal seal height c	Clearance D ₁ max	Counterface D min	Seal fitted width B ₁	Design	Lip code	Designation
Shaft diameter range d ₁ over	incl.										
mm											
1 225 1 275	1 135	6	10,5	6,5	6,5	d ₁ +5	d ₁ +20	8 ± 1,5	VR3	R	412502
	1 135										6
1 215 1 270	1 135	14,3	25	15	d ₁ +10	d ₁ +45	20 ± 4	VR1	R	412500	
1 225 1 245	1 176	32,5	65	30	21	d ₁ +24	d ₁ +115	50 ± 12	VR4	R	412403
	1 176										32,5
1 245 1 270	1 195	32,5	65	30	21	d ₁ +24	d ₁ +115	50 ± 12	VR4	R	412603
	1 195										32,5
1 270 1 295	1 218	32,5	65	30	21	d ₁ +24	d ₁ +115	50 ± 12	VR4	R	412803
	1 218										32,5
1 275 1 325	1 180	6	10,5	6,5	6,5	d ₁ +5	d ₁ +20	8 ± 1,5	VR3	R	413002
	1 180										6
1 270 1 320	1 180	14,3	25	15	d ₁ +10	d ₁ +45	20 ± 4	VR1	R	413000	
1 295 1 315	1 240	32,5	65	30	21	d ₁ +24	d ₁ +115	50 ± 12	VR4	R	413003
	1 240										32,5
1 315 1 340	1 259	32,5	65	30	21	d ₁ +24	d ₁ +115	50 ± 12	VR4	R	413253
	1 259										32,5
1 325 1 375	1 225	6	10,5	6,5	6,5	d ₁ +5	d ₁ +20	8 ± 1,5	VR3	R	413502
	1 225										6
1 320 1 370	1 225	14,3	25	15	d ₁ +10	d ₁ +45	20 ± 4	VR1	R	413500	
1 340 1 365	1 281	32,5	65	30	21	d ₁ +24	d ₁ +115	50 ± 12	VR4	R	413503
	1 281										32,5
1 365 1 390	1 305	32,5	65	30	21	d ₁ +24	d ₁ +115	50 ± 12	VR4	R	413753
	1 305										32,5
1 375 1 425	1 270	6	10,5	6,5	6,5	d ₁ +5	d ₁ +20	8 ± 1,5	VR3	R	414002
	1 270										6
1 370 1 420	1 270	14,3	25	15	d ₁ +10	d ₁ +45	20 ± 4	VR1	R	414000	
1 390 1 415	1 328	32,5	65	30	21	d ₁ +24	d ₁ +115	50 ± 12	VR4	R	414003
	1 328										32,5
1 415 1 440	1 350	32,5	65	30	21	d ₁ +24	d ₁ +115	50 ± 12	VR4	R	414253
	1 350										32,5
1 425 1 475	1 315	6	10,5	6,5	6,5	d ₁ +5	d ₁ +20	8 ± 1,5	VR3	R	414502
	1 315										6
1 420 1 470	1 315	14,3	25	15	d ₁ +10	d ₁ +45	20 ± 4	VR1	R	414500	
1 440 1 465	1 374	32,5	65	30	21	d ₁ +24	d ₁ +115	50 ± 12	VR4	R	414503
	1 374										32,5
1 465 1 490	1 397	32,5	65	30	21	d ₁ +24	d ₁ +115	50 ± 12	VR4	R	414753
	1 397										32,5
1 475 1 525	1 360	6	10,5	6,5	6,5	d ₁ +5	d ₁ +20	8 ± 1,5	VR3	R	415002
	1 360										6
1 470 1 520	1 360	14,3	25	15	d ₁ +10	d ₁ +45	20 ± 4	VR1	R	415000	
1 490 1 515	1 419	32,5	65	30	21	d ₁ +24	d ₁ +115	50 ± 12	VR4	R	415003
	1 419										32,5
1 515 1 540	1 443	32,5	65	30	21	d ₁ +24	d ₁ +115	50 ± 12	VR4	R	415253
	1 443										32,5

V-ring seals – metric dimensions, for North American market

d_1 1 525 – 2 020 mm

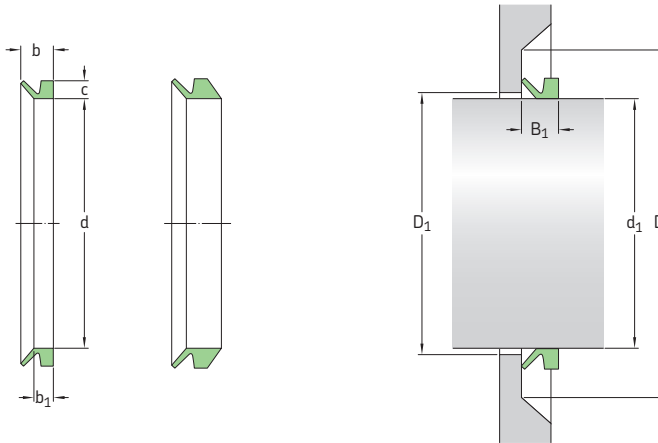


Dimensions		Seal inside diameter, free state d	Seal seat width b_1	Nominal seal width b	Nominal seal height c	Clearance D_1 max	Counterface D min	Seal fitted width B_1	Design	Lip code	Designation
Shaft diameter range d_1 over	incl.										
mm											
1 525	1 575	1 405 1 405	6 6	10,5 10,5	6,5 6,5	$d_1 + 5$ $d_1 + 5$	$d_1 + 20$ $d_1 + 20$	$8 \pm 1,5$ $8 \pm 1,5$	VR3 VR3	R V	415502 415506
1 520	1 570	1 405	14,3	25	15	$d_1 + 10$	$d_1 + 45$	20 ± 4	VR1	R	415500
1 540	1 570	1 467 1 467	32,5 32,5	65 65	30 21	$d_1 + 24$ $d_1 + 24$	$d_1 + 115$ $d_1 + 115$	50 ± 12 50 ± 12	VR4 VR6	R R	415503 471551
1 570	1 600	1 495 1 495	32,5 32,5	65 65	30 21	$d_1 + 24$ $d_1 + 24$	$d_1 + 115$ $d_1 + 115$	50 ± 12 50 ± 12	VR4 VR6	R R	415753 471576
1 575	1 625	1 450 1 450	6 6	10,5 10,5	6,5 6,5	$d_1 + 5$ $d_1 + 5$	$d_1 + 20$ $d_1 + 20$	$8 \pm 1,5$ $8 \pm 1,5$	VR3 VR3	R V	416002 416006
1 570	1 620	1 450	14,3	25	15	$d_1 + 10$	$d_1 + 45$	20 ± 4	VR1	R	416000
1 600	1 640	1 524 1 524	32,5 32,5	65 65	30 21	$d_1 + 24$ $d_1 + 24$	$d_1 + 115$ $d_1 + 115$	50 ± 12 50 ± 12	VR4 VR6	R R	416003 471601
1 625	1 675	1 495 1 495	6 6	10,5 10,5	6,5 6,5	$d_1 + 5$ $d_1 + 5$	$d_1 + 20$ $d_1 + 20$	$8 \pm 1,5$ $8 \pm 1,5$	VR3 VR3	R V	416502 416506
1 620	1 670	1 495	14,3	25	15	$d_1 + 10$	$d_1 + 45$	20 ± 4	VR1	R	416500
1 640	1 680	1 559 1 559	32,5 32,5	65 65	30 21	$d_1 + 24$ $d_1 + 24$	$d_1 + 115$ $d_1 + 115$	50 ± 12 50 ± 12	VR4 VR6	R R	416503 471651
1 675	1 725	1 540 1 540	6 6	10,5 10,5	6,5 6,5	$d_1 + 5$ $d_1 + 5$	$d_1 + 20$ $d_1 + 20$	$8 \pm 1,5$ $8 \pm 1,5$	VR3 VR3	R V	417002 417006
1 670	1 720	1 540	14,3	25	15	$d_1 + 10$	$d_1 + 45$	20 ± 4	VR1	R	417000
1 680	1 720	1 596 1 596	32,5 32,5	65 65	30 21	$d_1 + 24$ $d_1 + 24$	$d_1 + 115$ $d_1 + 115$	50 ± 12 50 ± 12	VR4 VR6	R R	417003 471701
1 725	1 775	1 585 1 585	6 6	10,5 10,5	6,5 6,5	$d_1 + 5$ $d_1 + 5$	$d_1 + 20$ $d_1 + 20$	$8 \pm 1,5$ $8 \pm 1,5$	VR3 VR3	R V	417502 417506
1 720	1 770	1 585	14,3	25	15	$d_1 + 10$	$d_1 + 45$	20 ± 4	VR1	R	417500
1 720	1 765	1 632 1 632	32,5 32,5	65 65	30 21	$d_1 + 24$ $d_1 + 24$	$d_1 + 115$ $d_1 + 115$	50 ± 12 50 ± 12	VR4 VR6	R R	417503 471751

Dimensions		Seal inside diameter, free state d	Seal seat width b ₁	Nominal seal width b	Nominal seal height c	Clearance D ₁ max	Counterface D min	Seal fitted width B ₁	Design	Lip code	Designation
Shaft diameter range d ₁ over	incl.										
mm											
1765 1810	1671	32,5	65	30	d ₁ +24	d ₁ +115	50 ± 12	VR4	R	418003	
	1671	32,5	65	21	d ₁ +24	d ₁ +115	50 ± 12	VR6	R	471801	
1775 1825	1630	6	10,5	6,5	d ₁ +5	d ₁ +20	8 ± 1,5	VR3	R	418002	
	1630	6	10,5	6,5	d ₁ +5	d ₁ +20	8 ± 1,5	VR3	V	418006	
1770 1820	1630	14,3	25	15	d ₁ +10	d ₁ +45	20 ± 4	VR1	R	418000	
1810 1855	1714	32,5	65	30	d ₁ +24	d ₁ +115	50 ± 12	VR4	R	418503	
	1714	32,5	65	21	d ₁ +24	d ₁ +115	50 ± 12	VR6	R	471851	
1825 1875	1675	6	10,5	6,5	d ₁ +5	d ₁ +20	8 ± 1,5	VR3	R	418502	
	1675	6	10,5	6,5	d ₁ +5	d ₁ +20	8 ± 1,5	VR3	V	418506	
1820 1870	1675	14,3	25	15	d ₁ +10	d ₁ +45	20 ± 4	VR1	R	418500	
1855 1905	1753	32,5	65	30	d ₁ +24	d ₁ +115	50 ± 12	VR4	R	419003	
	1753	32,5	65	21	d ₁ +24	d ₁ +115	50 ± 12	VR6	R	471901	
1875 1925	1720	6	10,5	6,5	d ₁ +5	d ₁ +20	8 ± 1,5	VR3	R	419002	
	1720	6	10,5	6,5	d ₁ +5	d ₁ +20	8 ± 1,5	VR3	V	419006	
1870 1920	1720	14,3	25	15	d ₁ +10	d ₁ +45	20 ± 4	VR1	R	419000	
1905 1955	1794	32,5	65	30	d ₁ +24	d ₁ +115	50 ± 12	VR4	R	419503	
	1794	32,5	65	21	d ₁ +24	d ₁ +115	50 ± 12	VR6	R	471951	
1925 1975	1765	6	10,5	6,5	d ₁ +5	d ₁ +20	8 ± 1,5	VR3	R	419502	
	1765	6	10,5	6,5	d ₁ +5	d ₁ +20	8 ± 1,5	VR3	V	419506	
1920 1970	1765	14,3	25	15	d ₁ +10	d ₁ +45	20 ± 4	VR1	R	419500	
1955 2010	1844	32,5	65	30	d ₁ +24	d ₁ +115	50 ± 12	VR4	R	420003	
	1844	32,5	65	21	d ₁ +24	d ₁ +115	50 ± 12	VR6	R	472001	
1975 2025	1810	6	10,5	6,5	d ₁ +5	d ₁ +20	8 ± 1,5	VR3	R	420002	
	1810	6	10,5	6,5	d ₁ +5	d ₁ +20	8 ± 1,5	VR3	V	420006	
1970 2020	1810	14,3	25	15	d ₁ +10	d ₁ +45	20 ± 4	VR1	R	420000	

V-ring seals – inch dimensions, for North American market

d_1 0.11 – 2.09 in.

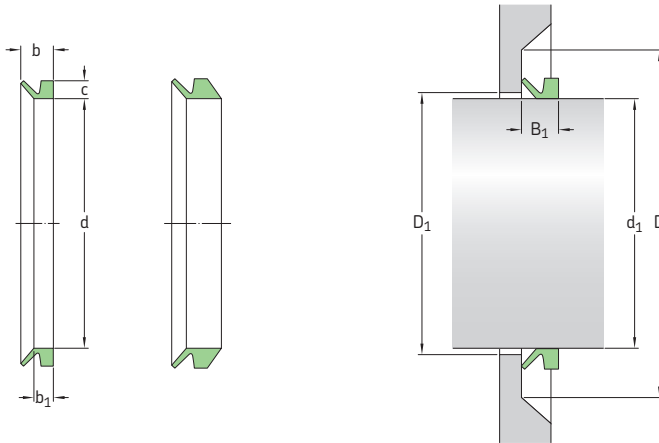


Dimensions		Seal inside diameter, free state d	Nominal seal height c	Seal seat width b_1	Nominal seal width b	Clearance $D_1 (=d_1 +)$ max	Counter-face $D (=d_1 +)$ min	Seal fitted width B_1	Design	Lip code	Designation
Shaft diameter range d_1 over	incl.										
in.		in.							-	-	-
0.11	0.14	0.10	0.06	0.08	0.12	0.04	0.16	0.10 ± 0.012	VR1	R	400030
		0.10	0.06	0.08	0.12	0.04	0.16	0.10 ± 0.012	VR1	V	400034
0.14	0.18	0.13	0.08	0.09	0.15	0.04	0.24	0.12 ± 0.016	VR1	R	400040
		0.13	0.08	0.09	0.15	0.04	0.24	0.12 ± 0.016	VR1	V	400044
0.18	0.22	0.16	0.08	0.09	0.15	0.04	0.24	0.12 ± 0.016	VR1	R	400050
		0.16	0.08	0.09	0.15	0.04	0.24	0.12 ± 0.016	VR1	V	400054
		0.16	0.08	0.15	0.20	0.04	0.24	0.18 ± 0.016	VR2	R	400051
		0.16	0.08	0.15	0.20	0.04	0.24	0.18 ± 0.016	VR2	V	400055
0.22	0.26	0.20	0.08	0.09	0.15	0.04	0.24	0.12 ± 0.016	VR1	R	400060
		0.20	0.08	0.09	0.15	0.04	0.24	0.12 ± 0.016	VR1	V	400064
		0.20	0.08	0.15	0.20	0.04	0.24	0.18 ± 0.016	VR2	R	400061
		0.20	0.08	0.15	0.20	0.04	0.24	0.18 ± 0.016	VR2	V	400065
0.26	0.31	0.24	0.08	0.09	0.15	0.04	0.24	0.12 ± 0.016	VR1	R	400070
		0.24	0.08	0.09	0.15	0.04	0.24	0.12 ± 0.016	VR1	V	400074
		0.24	0.08	0.15	0.20	0.04	0.24	0.18 ± 0.016	VR2	R	400071
		0.24	0.08	0.15	0.20	0.04	0.24	0.18 ± 0.016	VR2	V	400075
0.31	0.37	0.28	0.08	0.09	0.15	0.04	0.24	0.12 ± 0.016	VR1	R	400080
		0.28	0.08	0.09	0.15	0.04	0.24	0.12 ± 0.016	VR1	V	400084
		0.28	0.08	0.15	0.20	0.04	0.24	0.18 ± 0.016	VR2	R	400081
		0.28	0.08	0.15	0.20	0.04	0.24	0.18 ± 0.016	VR2	V	400085
0.37	0.45	0.35	0.12	0.13	0.22	0.04	0.35	0.18 ± 0.02	VR1	R	400100
		0.35	0.12	0.13	0.22	0.04	0.35	0.18 ± 0.02	VR1	V	400104
		0.35	0.12	0.22	0.30	0.04	0.35	0.26 ± 0.02	VR2	R	400101
		0.35	0.12	0.22	0.30	0.04	0.35	0.26 ± 0.02	VR2	V	400105
0.45	0.49	0.41	0.12	0.13	0.22	0.04	0.35	0.18 ± 0.02	VR1	R	400120
		0.41	0.12	0.13	0.22	0.04	0.35	0.18 ± 0.02	VR1	V	400124
		0.41	0.12	0.22	0.30	0.04	0.35	0.26 ± 0.02	VR2	R	400121
		0.41	0.12	0.22	0.30	0.04	0.35	0.26 ± 0.02	VR2	V	400125
0.49	0.53	0.46	0.12	0.13	0.22	0.04	0.35	0.18 ± 0.02	VR1	R	400130
		0.46	0.12	0.13	0.22	0.04	0.35	0.18 ± 0.02	VR1	V	400134
0.53	0.61	0.49	0.12	0.13	0.22	0.04	0.35	0.18 ± 0.02	VR1	R	400140
		0.49	0.12	0.13	0.22	0.04	0.35	0.18 ± 0.02	VR1	V	400144

Dimensions		Seal inside diameter, free state d	Nominal seal height c	Seal seat width b ₁	Nominal seal width b	Clearance D ₁ (=d ₁ +) max	Counter-face D(-d ₁ +) min	Seal fitted width B ₁	Design	Lip code	Designation
Shaft diameter range d ₁ over	incl.										
in.		in.							-	-	-
0.53 cont.	0.61	0.49	0.12	0.22	0.30	0.04	0.35	0.26 ± 0.02	VR2	R	400141
		0.49	0.12	0.22	0.30	0.04	0.35	0.26 ± 0.02	VR2	V	400145
0.61	0.67	0.55	0.12	0.13	0.22	0.04	0.35	0.18 ± 0.02	VR1	R	400160
		0.55	0.12	0.13	0.22	0.04	0.35	0.18 ± 0.02	VR1	V	400164
0.61	0.69	0.55	0.12	0.22	0.30	0.04	0.35	0.26 ± 0.02	VR2	R	400161
		0.55	0.12	0.22	0.30	0.04	0.35	0.26 ± 0.02	VR2	V	400165
0.69	0.75	0.63	0.12	0.13	0.22	0.04	0.35	0.18 ± 0.02	VR1	R	400180
		0.63	0.12	0.13	0.22	0.04	0.35	0.18 ± 0.02	VR1	V	400184
		0.63	0.12	0.22	0.30	0.04	0.35	0.26 ± 0.02	VR2	R	400181
		0.63	0.12	0.22	0.30	0.04	0.35	0.26 ± 0.02	VR2	V	400185
0.75	0.83	0.71	0.16	0.19	0.30	0.08	0.47	0.24 ± 0.03	VR1	R	400200
		0.71	0.16	0.19	0.30	0.08	0.47	0.24 ± 0.03	VR1	V	400204
		0.71	0.16	0.31	0.41	0.08	0.47	0.35 ± 0.03	VR2	R	400201
		0.71	0.16	0.31	0.41	0.08	0.47	0.35 ± 0.03	VR2	V	400205
0.83	0.94	0.79	0.16	0.19	0.30	0.08	0.47	0.24 ± 0.03	VR1	R	400220
		0.79	0.16	0.19	0.30	0.08	0.47	0.24 ± 0.03	VR1	V	400224
		0.79	0.16	0.31	0.41	0.08	0.47	0.35 ± 0.03	VR2	R	400221
		0.79	0.16	0.31	0.41	0.08	0.47	0.35 ± 0.03	VR2	V	400225
0.94	1.06	0.87	0.16	0.19	0.30	0.08	0.47	0.24 ± 0.03	VR1	R	400250
		0.87	0.16	0.19	0.30	0.08	0.47	0.24 ± 0.03	VR1	V	400254
		0.87	0.16	0.31	0.41	0.08	0.47	0.35 ± 0.03	VR2	R	400251
		0.87	0.16	0.31	0.41	0.08	0.47	0.35 ± 0.03	VR2	V	400255
1.06	1.14	0.98	0.16	0.19	0.30	0.08	0.47	0.24 ± 0.03	VR1	R	400280
		0.98	0.16	0.19	0.30	0.08	0.47	0.24 ± 0.03	VR1	V	400284
		0.98	0.16	0.31	0.41	0.08	0.47	0.35 ± 0.03	VR2	R	400281
		0.98	0.16	0.31	0.41	0.08	0.47	0.35 ± 0.03	VR2	V	400285
1.14	1.22	1.06	0.16	0.19	0.30	0.08	0.47	0.24 ± 0.03	VR1	R	400300
		1.06	0.16	0.19	0.30	0.08	0.47	0.24 ± 0.03	VR1	V	400304
		1.06	0.16	0.31	0.41	0.08	0.47	0.35 ± 0.03	VR2	R	400301
		1.06	0.16	0.31	0.41	0.08	0.47	0.35 ± 0.03	VR2	V	400305
1.22	1.30	1.14	0.16	0.19	0.30	0.08	0.47	0.24 ± 0.03	VR1	R	400320
		1.14	0.16	0.19	0.30	0.08	0.47	0.24 ± 0.03	VR1	V	400324
		1.14	0.16	0.31	0.41	0.08	0.47	0.35 ± 0.03	VR2	R	400321
		1.14	0.16	0.31	0.41	0.08	0.47	0.35 ± 0.03	VR2	V	400325
1.30	1.42	1.22	0.16	0.19	0.30	0.08	0.47	0.24 ± 0.03	VR1	R	400350
		1.22	0.16	0.19	0.30	0.08	0.47	0.24 ± 0.03	VR1	V	400354
		1.22	0.16	0.31	0.41	0.08	0.47	0.35 ± 0.03	VR2	R	400351
		1.22	0.16	0.31	0.41	0.08	0.47	0.35 ± 0.03	VR2	V	400355
1.42	1.50	1.34	0.16	0.19	0.30	0.08	0.47	0.24 ± 0.03	VR1	R	400380
		1.34	0.16	0.19	0.30	0.08	0.47	0.24 ± 0.03	VR1	V	400384
		1.34	0.16	0.31	0.41	0.08	0.47	0.35 ± 0.03	VR2	R	400381
		1.34	0.16	0.31	0.41	0.08	0.47	0.35 ± 0.03	VR2	V	400385
1.50	1.69	1.42	0.20	0.22	0.35	0.08	0.59	0.28 ± 0.04	VR1	R	400400
		1.42	0.20	0.22	0.35	0.08	0.59	0.28 ± 0.04	VR1	V	400404
		1.42	0.20	0.37	0.51	0.08	0.59	0.43 ± 0.04	VR2	R	400401
		1.42	0.20	0.37	0.51	0.08	0.59	0.43 ± 0.04	VR2	V	400405
1.69	1.89	1.57	0.20	0.22	0.35	0.08	0.59	0.28 ± 0.04	VR1	R	400450
		1.57	0.20	0.22	0.35	0.08	0.59	0.28 ± 0.04	VR1	V	400454
		1.57	0.20	0.37	0.51	0.08	0.59	0.43 ± 0.04	VR2	R	400451
		1.57	0.20	0.37	0.51	0.08	0.59	0.43 ± 0.04	VR2	V	400455
1.89	2.09	1.77	0.20	0.22	0.35	0.08	0.59	0.28 ± 0.04	VR1	R	400500
		1.77	0.20	0.22	0.35	0.08	0.59	0.28 ± 0.04	VR1	V	400504
		1.77	0.20	0.37	0.51	0.08	0.59	0.43 ± 0.04	VR2	R	400501
		1.77	0.20	0.37	0.51	0.08	0.59	0.43 ± 0.04	VR2	V	400505

V-ring seals – inch dimensions, for North American market

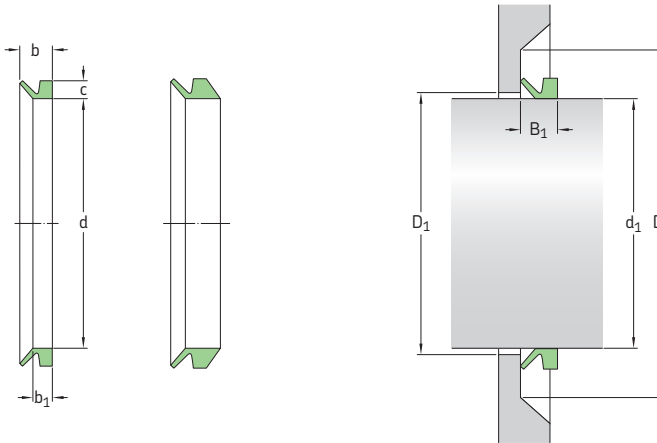
d_1 2.09 – 7.68 in.



Dimensions		Seal inside diameter, free state d	Nominal seal height c	Seal seat width b_1	Nominal seal width b	Clearance $D_1 (= d_1 +)$ max	Counter-face $D (= d_1 +)$ min	Seal fitted width B_1	Design	Lip code	Designation
Shaft diameter range d_1 over	incl.										
in.		in.							-	-	-
2.09	2.28	1.93	0.20	0.22	0.35	0.08	0.59	0.28 ± 0.04	VR1	R	400550
		1.93	0.20	0.22	0.35	0.08	0.59	0.28 ± 0.04	VR1	V	400554
		1.93	0.20	0.37	0.51	0.08	0.59	0.43 ± 0.04	VR2	R	400551
		1.93	0.20	0.37	0.51	0.08	0.59	0.43 ± 0.04	VR2	V	400555
2.28	2.48	2.13	0.20	0.22	0.35	0.08	0.59	0.28 ± 0.04	VR1	R	400600
		2.13	0.20	0.22	0.35	0.08	0.59	0.28 ± 0.04	VR1	V	400604
		2.13	0.20	0.37	0.51	0.08	0.59	0.43 ± 0.04	VR2	R	400601
		2.13	0.20	0.37	0.51	0.08	0.59	0.43 ± 0.04	VR2	V	400605
2.48	2.68	2.28	0.20	0.22	0.35	0.08	0.59	0.28 ± 0.04	VR1	R	400650
		2.28	0.20	0.22	0.35	0.08	0.59	0.28 ± 0.04	VR1	V	400654
		2.28	0.20	0.37	0.51	0.08	0.59	0.43 ± 0.04	VR2	R	400651
		2.28	0.20	0.37	0.51	0.08	0.59	0.43 ± 0.04	VR2	V	400655
2.68	2.87	2.48	0.24	0.27	0.43	0.12	0.71	0.35 ± 0.05	VR1	R	400700
		2.48	0.24	0.27	0.43	0.12	0.71	0.35 ± 0.05	VR1	V	400704
		2.48	0.24	0.44	0.61	0.12	0.71	0.53 ± 0.05	VR2	R	400701
		2.48	0.24	0.44	0.61	0.12	0.71	0.53 ± 0.05	VR2	V	400705
2.87	3.07	2.64	0.24	0.27	0.43	0.12	0.71	0.35 ± 0.05	VR1	R	400750
		2.64	0.24	0.27	0.43	0.12	0.71	0.53 ± 0.05	VR2	R	400751
		2.64	0.24	0.44	0.61	0.12	0.71	0.53 ± 0.05	VR2	V	400755
3.07	3.27	2.83	0.24	0.27	0.43	0.12	0.71	0.35 ± 0.05	VR1	R	400800
		2.83	0.24	0.27	0.43	0.12	0.71	0.35 ± 0.05	VR1	V	400804
		2.83	0.24	0.44	0.61	0.12	0.71	0.53 ± 0.05	VR2	R	400801
		2.83	0.24	0.44	0.61	0.12	0.71	0.53 ± 0.05	VR2	V	400805
3.27	3.46	2.99	0.24	0.27	0.43	0.12	0.71	0.35 ± 0.05	VR1	R	400850
		2.99	0.24	0.27	0.43	0.12	0.71	0.35 ± 0.05	VR1	V	400854
		2.99	0.24	0.44	0.61	0.12	0.71	0.53 ± 0.05	VR2	R	400851
		2.99	0.24	0.44	0.61	0.12	0.71	0.53 ± 0.05	VR2	V	400855
3.46	3.66	3.19	0.24	0.27	0.43	0.12	0.71	0.35 ± 0.05	VR1	R	400900
		3.19	0.24	0.27	0.43	0.12	0.71	0.35 ± 0.05	VR1	V	400904
		3.19	0.24	0.44	0.61	0.12	0.71	0.53 ± 0.05	VR2	R	400901
		3.19	0.24	0.44	0.61	0.12	0.71	0.53 ± 0.05	VR2	V	400905
3.66	3.86	3.35	0.24	0.27	0.43	0.12	0.71	0.35 ± 0.05	VR1	R	400950
		3.35	0.24	0.27	0.43	0.12	0.71	0.35 ± 0.05	VR1	V	400954
		3.35	0.24	0.44	0.61	0.12	0.71	0.53 ± 0.05	VR2	R	400951
		3.35	0.24	0.44	0.61	0.12	0.71	0.53 ± 0.05	VR2	V	400955

Dimensions		Seal inside diameter, free state d	Nominal seal height c	Seal seat width b ₁	Nominal seal width b	Clearance D ₁ (= d ₁ +) max	Counter-face D (= d ₁ +) min	Seal fitted width B ₁	Design	Lip code	Designation
Shaft diameter range d ₁ over	incl.										
in.		in.							-	-	-
3.86	4.13	3.54	0.24	0.27	0.43	0.12	0.71	0.35 ± 0.05	VR1	R	401000
		3.54	0.24	0.27	0.43	0.12	0.71	0.35 ± 0.05	VR1	V	401004
		3.54	0.24	0.44	0.61	0.12	0.71	0.53 ± 0.05	VR2	R	401001
		3.54	0.24	0.44	0.61	0.12	0.71	0.53 ± 0.05	VR2	V	401005
4.13	4.53	3.90	0.26	0.24	0.41	0.20	0.79	0.31 ± 0.06	VR3	R	401102
		3.90	0.26	0.24	0.41	0.20	0.79	0.31 ± 0.06	VR3	V	401106
		3.90	0.28	0.31	0.50	0.16	0.83	0.41 ± 0.06	VR1	R	401100
		3.90	0.28	0.31	0.50	0.16	0.83	0.41 ± 0.06	VR1	V	401104
		3.90	0.28	0.52	0.71	0.16	0.83	0.61 ± 0.06	VR2	R	401101
		3.90	0.28	0.52	0.71	0.16	0.83	0.61 ± 0.06	VR2	V	401105
4.53	4.92	4.25	0.26	0.24	0.41	0.20	0.79	0.31 ± 0.06	VR3	R	401202
		4.25	0.26	0.24	0.41	0.20	0.79	0.31 ± 0.06	VR3	V	401206
		4.25	0.28	0.31	0.50	0.16	0.83	0.41 ± 0.06	VR1	R	401200
		4.25	0.28	0.31	0.50	0.16	0.83	0.41 ± 0.06	VR1	V	401204
		4.25	0.28	0.52	0.71	0.16	0.83	0.61 ± 0.06	VR2	R	401201
		4.25	0.28	0.52	0.71	0.16	0.83	0.61 ± 0.06	VR2	V	401205
4.92	5.31	4.61	0.26	0.24	0.41	0.20	0.79	0.31 ± 0.06	VR3	R	401302
		4.61	0.26	0.24	0.41	0.20	0.79	0.31 ± 0.06	VR3	V	401306
		4.61	0.28	0.31	0.50	0.16	0.83	0.41 ± 0.06	VR1	R	401300
		4.61	0.28	0.31	0.50	0.16	0.83	0.41 ± 0.06	VR1	V	401304
		4.61	0.28	0.52	0.71	0.16	0.83	0.61 ± 0.06	VR2	R	401301
		4.61	0.28	0.52	0.71	0.16	0.83	0.61 ± 0.06	VR2	V	401305
5.31	5.71	4.96	0.26	0.24	0.41	0.20	0.79	0.31 ± 0.06	VR3	R	401402
		4.96	0.26	0.24	0.41	0.20	0.79	0.31 ± 0.06	VR3	V	401406
		4.96	0.28	0.31	0.50	0.16	0.83	0.41 ± 0.06	VR1	R	401400
		4.96	0.28	0.31	0.50	0.16	0.83	0.41 ± 0.06	VR1	V	401404
		4.96	0.28	0.52	0.71	0.16	0.83	0.61 ± 0.06	VR2	R	401401
		4.96	0.28	0.52	0.71	0.16	0.83	0.61 ± 0.06	VR2	V	401405
5.71	6.10	5.31	0.26	0.24	0.41	0.20	0.79	0.31 ± 0.06	VR3	R	401502
		5.31	0.26	0.24	0.41	0.20	0.79	0.31 ± 0.06	VR3	V	401506
		5.31	0.28	0.31	0.50	0.16	0.83	0.41 ± 0.06	VR1	R	401500
		5.31	0.28	0.31	0.50	0.16	0.83	0.41 ± 0.06	VR1	V	401504
		5.31	0.28	0.52	0.71	0.16	0.83	0.61 ± 0.06	VR2	R	401501
		5.31	0.28	0.52	0.71	0.16	0.83	0.61 ± 0.06	VR2	V	401505
6.10	6.50	5.67	0.26	0.24	0.41	0.20	0.79	0.31 ± 0.06	VR3	R	401602
		5.67	0.26	0.24	0.41	0.20	0.79	0.31 ± 0.06	VR3	V	401606
		5.67	0.31	0.35	0.57	0.16	0.94	0.47 ± 0.07	VR1	R	401600
		5.67	0.31	0.35	0.57	0.16	0.94	0.47 ± 0.07	VR1	V	401604
		5.67	0.31	0.59	0.81	0.16	0.94	0.71 ± 0.07	VR2	R	401601
		5.67	0.31	0.59	0.81	0.16	0.94	0.71 ± 0.07	VR2	V	401605
6.50	6.89	6.02	0.26	0.24	0.41	0.20	0.79	0.31 ± 0.06	VR3	R	401702
		6.02	0.26	0.24	0.41	0.20	0.79	0.31 ± 0.06	VR3	V	401706
		6.02	0.31	0.35	0.57	0.16	0.94	0.47 ± 0.07	VR1	R	401700
		6.02	0.31	0.35	0.57	0.16	0.94	0.47 ± 0.07	VR1	V	401704
		6.02	0.31	0.59	0.81	0.16	0.94	0.71 ± 0.07	VR2	R	401701
		6.02	0.31	0.59	0.81	0.16	0.94	0.71 ± 0.07	VR2	V	401705
6.89	7.28	6.38	0.26	0.24	0.41	0.20	0.79	0.31 ± 0.06	VR3	R	401802
		6.38	0.26	0.24	0.41	0.20	0.79	0.31 ± 0.06	VR3	V	401806
		6.38	0.31	0.35	0.57	0.16	0.94	0.47 ± 0.07	VR1	R	401800
		6.38	0.31	0.35	0.57	0.16	0.94	0.47 ± 0.07	VR1	V	401804
		6.38	0.31	0.59	0.81	0.16	0.94	0.71 ± 0.07	VR2	R	401801
		6.38	0.31	0.59	0.81	0.16	0.94	0.71 ± 0.07	VR2	V	401805
7.28	7.68	6.73	0.26	0.24	0.41	0.20	0.79	0.31 ± 0.06	VR3	R	401902
		6.73	0.26	0.24	0.41	0.20	0.79	0.31 ± 0.06	VR3	V	401906
		6.73	0.31	0.35	0.57	0.16	0.94	0.47 ± 0.07	VR1	R	401900
		6.73	0.31	0.35	0.57	0.16	0.94	0.47 ± 0.07	VR1	V	401904
		6.73	0.31	0.59	0.81	0.16	0.94	0.71 ± 0.07	VR2	R	401901
		6.73	0.31	0.59	0.81	0.16	0.94	0.71 ± 0.07	VR2	V	401905

V-ring seals – inch dimensions, for North American market
 d_1 7.48 – 15.35 in.

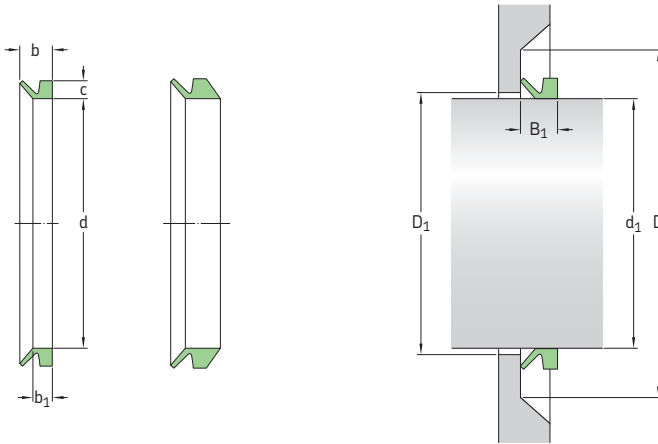


Dimensions		Seal inside diameter, free state d	Nominal seal height c	Seal seat width b_1	Nominal seal width b	Clearance $D_1 (= d_1 +)$ max	Counter-face $D (= d_1 +)$ min	Seal fitted width B_1	Design	Lip code	Designation
Shaft diameter range d_1 over	incl.										
in.	in.								-	-	-
7.68	8.27	7.17	0.26	0.24	0.41	0.20	0.79	0.31 ± 0.06	VR3	R	402002
		7.17	0.26	0.24	0.41	0.20	0.79	0.31 ± 0.06	VR3	V	402006
		7.09	0.31	0.35	0.57	0.16	0.94	0.47 ± 0.07	VR1	R	401990
		7.09	0.31	0.35	0.57	0.16	0.94	0.47 ± 0.07	VR1	V	401994
		7.09	0.31	0.59	0.81	0.16	0.94	0.71 ± 0.07	VR2	R	401991
		7.09	0.31	0.59	0.81	0.16	0.94	0.71 ± 0.07	VR2	V	401995
7.48	8.27	7.09	0.59	0.56	0.98	0.39	1.77	0.79 ± 0.16	VR1	R	402000
		7.09	0.59	0.56	0.98	0.39	1.77	0.79 ± 0.16	VR1	V	402004
8.27	9.17	7.80	0.26	0.24	0.41	0.20	0.79	0.31 ± 0.06	VR3	R	402202
		7.80	0.26	0.24	0.41	0.20	0.79	0.31 ± 0.06	VR3	V	402206
		7.80	0.59	0.56	0.98	0.39	1.77	0.79 ± 0.16	VR1	R	402200
		7.80	0.59	0.56	0.98	0.39	1.77	0.79 ± 0.16	VR1	V	402204
9.17	10.24	8.86	0.26	0.24	0.41	0.20	0.79	0.31 ± 0.06	VR3	R	402502
		8.86	0.26	0.24	0.41	0.20	0.79	0.31 ± 0.06	VR3	V	402506
9.25	10.43	8.86	0.59	0.56	0.98	0.39	1.77	0.79 ± 0.16	VR1	R	402500
		8.86	0.59	0.56	0.98	0.39	1.77	0.79 ± 0.16	VR1	V	402504
10.24	11.22	9.72	0.26	0.24	0.41	0.20	0.79	0.31 ± 0.06	VR3	R	402752
		9.72	0.26	0.24	0.41	0.20	0.79	0.31 ± 0.06	VR3	V	402756
10.43	11.42	9.72	0.59	0.56	0.98	0.39	1.77	0.79 ± 0.16	VR1	R	402750
		9.72	0.59	0.56	0.98	0.39	1.77	0.79 ± 0.16	VR1	V	402754
11.22	12.20	10.63	0.26	0.24	0.41	0.20	0.79	0.31 ± 0.06	VR3	R	403002
		10.63	0.26	0.24	0.41	0.20	0.79	0.31 ± 0.06	VR3	V	403006
11.42	12.20	10.63	0.59	0.56	0.98	0.39	1.77	0.79 ± 0.16	VR1	R	403000
		10.63	0.59	0.56	0.98	0.39	1.77	0.79 ± 0.16	VR1	V	403004
11.81	12.01	11.57	1.18	1.28	2.56	0.94	4.53	1.97 ± 0.47	VR4	R	403003
		11.57	0.83	1.28	2.56	0.94	4.53	1.97 ± 0.47	VR6	R	470301
12.01	12.20	11.77	1.18	1.28	2.56	0.94	4.53	1.97 ± 0.47	VR4	R	403053
		11.77	0.83	1.28	2.56	0.94	4.53	1.97 ± 0.47	VR6	R	470306
12.20	13.19	11.50	0.26	0.24	0.41	0.20	0.79	0.31 ± 0.06	VR3	R	403252
		11.50	0.26	0.24	0.41	0.20	0.79	0.31 ± 0.06	VR3	V	403256

Dimensions		Seal inside diameter, free state d	Nominal seal height c	Seal seat width b ₁	Nominal seal width b	Clearance D ₁ (= d ₁₊) max	Counter-face D(= d ₁₊) min	Seal fitted width B ₁	Design	Lip code	Designation
Shaft diameter range d ₁ over	incl.										
in.		in.							-	-	-
12.20 cont.	13.19	11.50 11.50	0.59 0.59	0.56 0.56	0.98 0.98	0.39 0.39	1.77 1.77	0.79 ± 0.16 0.79 ± 0.16	VR1 VR1	R V	403250 403254
12.20	12.40	11.97 11.97	1.18 0.83	1.28 1.28	2.56 2.56	0.94 0.94	4.53 4.53	1.97 ± 0.47 1.97 ± 0.47	VR4 VR6	R R	403103 470311
12.40	12.60	12.17 12.17	1.18 0.83	1.28 1.28	2.56 2.56	0.94 0.94	4.53 4.53	1.97 ± 0.47 1.97 ± 0.47	VR4 VR6	R R	403153 470316
12.60	12.80	12.36 12.36	1.18 0.83	1.28 1.28	2.56 2.56	0.94 0.94	4.53 4.53	1.97 ± 0.47 1.97 ± 0.47	VR4 VR6	R R	403203 470321
12.80	12.99	12.56 12.56	1.18 0.83	1.28 1.28	2.56 2.56	0.94 0.94	4.53 4.53	1.97 ± 0.47 1.97 ± 0.47	VR4 VR6	R R	403253 470326
12.99	13.19	12.72 12.72	1.18 0.83	1.28 1.28	2.56 2.56	0.94 0.94	4.53 4.53	1.97 ± 0.47 1.97 ± 0.47	VR4 VR6	R R	403303 470331
13.19	14.37	12.40 12.40 12.40 12.40	0.26 0.26 0.59 0.59	0.24 0.24 0.56 0.56	0.41 0.41 0.98 0.98	0.20 0.20 0.39 0.39	0.79 0.79 1.77 1.77	0.31 ± 0.06 0.31 ± 0.06 0.79 ± 0.16 0.79 ± 0.16	VR3 VR3 VR1 VR1	R V R V	403502 403506 403500 403504
13.19	13.39	12.91 12.91	1.18 0.83	1.28 1.28	2.56 2.56	0.94 0.94	4.53 4.53	1.97 ± 0.47 1.97 ± 0.47	VR4 VR6	R R	403353 470336
13.39	13.58	13.11 12.91	1.18 0.83	1.28 1.28	2.56 2.56	0.94 0.94	4.53 4.53	1.97 ± 0.47 1.97 ± 0.47	VR4 VR6	R R	403403 470341
13.58	13.78	13.31 13.31	1.18 0.83	1.28 1.28	2.56 2.56	0.94 0.94	4.53 4.53	1.97 ± 0.47 1.97 ± 0.47	VR4 VR6	R R	403453 470346
13.78	13.98	13.50 13.50	1.18 0.83	1.28 1.28	2.56 2.56	0.94 0.94	4.53 4.53	1.97 ± 0.47 1.97 ± 0.47	VR4 VR6	R R	403503 470351
13.98	14.17	13.66 13.66	1.18 0.83	1.28 1.28	2.56 2.56	0.94 0.94	4.53 4.53	1.97 ± 0.47 1.97 ± 0.47	VR4 VR6	R R	403553 470356
14.17	14.37	13.86 14.06	1.18 0.83	1.28 1.28	2.56 2.56	0.94 0.94	4.53 4.53	1.97 ± 0.47 1.97 ± 0.47	VR4 VR6	R R	403603 470361
14.37	15.16	13.27 13.27	0.26 0.26	0.24 0.24	0.41 0.41	0.20 0.20	0.79 0.79	0.31 ± 0.06 0.31 ± 0.06	VR3 VR3	R V	403752 403756
14.37	15.35	13.27 13.27	0.59 0.59	0.56 0.56	0.98 0.98	0.39 0.39	1.77 1.77	0.79 ± 0.16 0.79 ± 0.16	VR1 VR1	R V	403750 403754
14.37	14.57	14.06	1.18	1.28	2.56	0.94	4.53	1.97 ± 0.47	VR4	R	403653
14.57	14.76	14.25 14.25	1.18 0.83	1.28 1.28	2.56 2.56	0.94 0.94	4.53 4.53	1.97 ± 0.47 1.97 ± 0.47	VR4 VR6	R R	403703 470371
14.76	14.96	14.45 14.45	1.18 0.83	1.28 1.28	2.56 2.56	0.94 0.94	4.53 4.53	1.97 ± 0.47 1.97 ± 0.47	VR4 VR6	R R	403753 470376
14.96	15.16	14.61 14.61	1.18 0.83	1.28 1.28	2.56 2.56	0.94 0.94	4.53 4.53	1.97 ± 0.47 1.97 ± 0.47	VR4 VR6	R R	403803 470381
15.16	16.14	14.17 14.17	0.26 0.26	0.24 0.24	0.41 0.41	0.20 0.20	0.79 0.79	0.31 ± 0.06 0.31 ± 0.06	VR3 VR3	R V	404002 404006
15.35	16.93	14.17 14.17	0.59 0.59	0.56 0.56	0.98 0.98	0.39 0.39	1.77 1.77	0.79 ± 0.16 0.79 ± 0.16	VR1 VR1	R V	404000 404004
15.16	15.35	14.80 14.80	1.18 0.83	1.28 1.28	2.56 2.56	0.94 0.94	4.53 4.53	1.97 ± 0.47 1.97 ± 0.47	VR4 VR6	R R	403853 470386

V-ring seals – inch dimensions, for North American market

d_1 15.35 – 22.64 in.

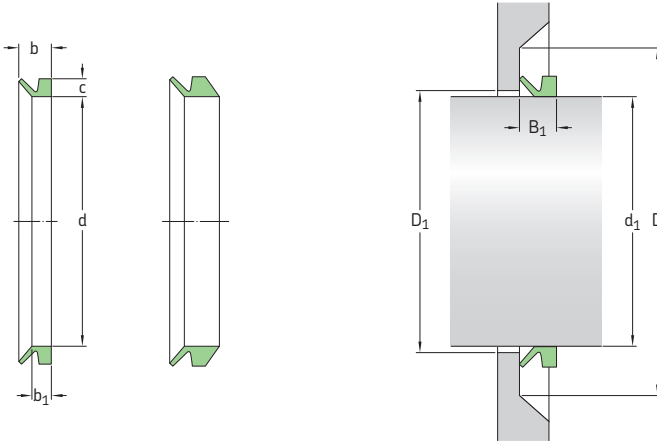


Dimensions		Seal inside diameter, free state d	Nominal seal height c	Seal seat width b_1	Nominal seal width b	Clearance $D_1 (= d_1 +)$ max	Counter-face $D (= d_1 +)$ min	Seal fitted width B_1	Design	Lip code	Designation
Shaft diameter range d_1	incl.										
in.	in.										
15.35	15.55	15.00	1.18	1.28	2.56	0.94	4.53	1.97 ± 0.47	VR4	R	403903
		15.00	0.83	1.28	2.56	0.94	4.53	1.97 ± 0.47			
15.55	15.75	15.20	1.18	1.28	2.56	0.94	4.53	1.97 ± 0.47	VR4	R	403953
		15.20	0.83	1.28	2.56	0.94	4.53	1.97 ± 0.47			
15.75	15.94	15.39	1.18	1.28	2.56	0.94	4.53	1.97 ± 0.47	VR4	R	404003
		15.39	0.83	1.28	2.56	0.94	4.53	1.97 ± 0.47			
15.94	16.14	15.59	1.18	1.28	2.56	0.94	4.53	1.97 ± 0.47	VR4	R	404053
		15.59	0.83	1.28	2.56	0.94	4.53	1.97 ± 0.47			
16.14	16.34	15.79	1.18	1.28	2.56	0.94	4.53	1.97 ± 0.47	VR4	R	404103
		15.79	0.83	1.28	2.56	0.94	4.53	1.97 ± 0.47			
16.34	16.54	15.94	1.18	1.28	2.56	0.94	4.53	1.97 ± 0.47	VR4	R	404153
		15.94	0.83	1.28	2.56	0.94	4.53	1.97 ± 0.47			
16.54	16.73	16.14	1.18	1.28	2.56	0.94	4.53	1.97 ± 0.47	VR4	R	404203
		16.14	0.83	1.28	2.56	0.94	4.53	1.97 ± 0.47			
16.73	16.93	16.34	1.18	1.28	2.56	0.94	4.53	1.97 ± 0.47	VR4	R	404253
		16.34	0.83	1.28	2.56	0.94	4.53	1.97 ± 0.47			
16.14	17.32	15.04	0.26	0.24	0.41	0.20	0.79	0.31 ± 0.06	VR3	R	404252
		15.04	0.26	0.24	0.41	0.20	0.79	0.31 ± 0.06			
17.32	18.70	15.94	0.26	0.24	0.41	0.20	0.79	0.31 ± 0.06	VR3	R	404502
		15.94	0.26	0.24	0.41	0.20	0.79	0.31 ± 0.06			
16.93	18.90	15.94	0.59	0.56	0.98	0.39	1.77	0.79 ± 0.16	VR1	R	404500
		15.94	0.59	0.56	0.98	0.39	1.77	0.79 ± 0.16			
16.93	17.13	16.54	1.18	1.28	2.56	0.94	4.53	1.97 ± 0.47	VR4	R	404303
		16.54	0.83	1.28	2.56	0.94	4.53	1.97 ± 0.47			
17.13	17.32	16.73	1.18	1.28	2.56	0.94	4.53	1.97 ± 0.47	VR4	R	404353
		16.73	0.83	1.28	2.56	0.94	4.53	1.97 ± 0.47			

Dimensions		Seal inside diameter, free state d	Nominal seal height c	Seal seat width b ₁	Nominal seal width b	Clearance D ₁ (= d ₁ +) max	Counter-face D (= d ₁ +) min	Seal fitted width B ₁	Design	Lip code	Designation
Shaft diameter range d ₁ over	incl.										
in.		in.							-	-	-
17.32	17.52	16.89 16.89	1.18 0.83	1.28 1.28	2.56 2.56	0.94 0.94	4.53 4.53	1.97 ± 0.47 1.97 ± 0.47	VR4 VR6	R R	404403 470441
17.52	17.72	17.09 17.09	1.18 0.83	1.28 1.28	2.56 2.56	0.94 0.94	4.53 4.53	1.97 ± 0.47 1.97 ± 0.47	VR4 VR6	R R	404453 470446
17.72	17.91	17.28 17.28	1.18 0.83	1.28 1.28	2.56 2.56	0.94 0.94	4.53 4.53	1.97 ± 0.47 1.97 ± 0.47	VR4 VR6	R R	404503 470451
17.91	18.11	17.48 17.48	1.18 0.83	1.28 1.28	2.56 2.56	0.94 0.94	4.53 4.53	1.97 ± 0.47 1.97 ± 0.47	VR4 VR6	R R	404553 470456
18.11	18.31	17.64 17.64	1.18 0.83	1.28 1.28	2.56 2.56	0.94 0.94	4.53 4.53	1.97 ± 0.47 1.97 ± 0.47	VR4 VR6	R R	404603 470461
18.31	18.50	17.83 17.83	1.18 0.83	1.28 1.28	2.56 2.56	0.94 0.94	4.53 4.53	1.97 ± 0.47 1.97 ± 0.47	VR4 VR6	R R	404653 470466
18.50	18.70	18.03 18.03	1.18 0.83	1.28 1.28	2.56 2.56	0.94 0.94	4.53 4.53	1.97 ± 0.47 1.97 ± 0.47	VR4 VR6	R R	404703 470471
18.70	18.90	18.23 18.23	1.18 0.83	1.28 1.28	2.56 2.56	0.94 0.94	4.53 4.53	1.97 ± 0.47 1.97 ± 0.47	VR4 VR6	R R	404753 470476
18.70	20.08	17.72 17.72	0.26 0.26	0.24 0.24	0.41 0.41	0.20 0.20	0.79 0.79	0.31 ± 0.06 0.31 ± 0.06	VR3 VR3	R V	405002 405006
20.08	21.26	18.58 18.58	0.26 0.26	0.24 0.24	0.41 0.41	0.20 0.20	0.79 0.79	0.31 ± 0.06 0.31 ± 0.06	VR3 VR3	R V	405252 405256
18.90	20.87	17.72 17.72	0.59 0.59	0.56 0.56	0.98 0.98	0.39 0.39	1.77 1.77	0.79 ± 0.16 0.79 ± 0.16	VR1 VR1	R V	405000 405004
18.90	19.09	18.43 18.43	1.18 0.83	1.28 1.28	2.56 2.56	0.94 0.94	4.53 4.53	1.97 ± 0.47 1.97 ± 0.47	VR4 VR6	R R	404803 470481
19.09	19.29	18.62 18.62	1.18 0.83	1.28 1.28	2.56 2.56	0.94 0.94	4.53 4.53	1.97 ± 0.47 1.97 ± 0.47	VR4 VR6	R R	404853 470486
19.29	19.49	18.82 18.82	1.18 0.83	1.28 1.28	2.56 2.56	0.94 0.94	4.53 4.53	1.97 ± 0.47 1.97 ± 0.47	VR4 VR6	R R	404903 470491
19.49	19.69	19.02 19.02	1.18 0.83	1.28 1.28	2.56 2.56	0.94 0.94	4.53 4.53	1.97 ± 0.47 1.97 ± 0.47	VR4 VR6	R R	404953 470496
19.69	19.88	19.21 19.21	1.18 0.83	1.28 1.28	2.56 2.56	0.94 0.94	4.53 4.53	1.97 ± 0.47 1.97 ± 0.47	VR4 VR6	R R	405003 470501
19.88	20.08	19.41 19.41	1.18 0.83	1.28 1.28	2.56 2.56	0.94 0.94	4.53 4.53	1.97 ± 0.47 1.97 ± 0.47	VR4 VR6	R R	405053 470506
20.08	20.28	19.57 19.57	1.18 0.83	1.28 1.28	2.56 2.56	0.94 0.94	4.53 4.53	1.97 ± 0.47 1.97 ± 0.47	VR4 VR6	R R	405103 470511
20.28	20.47	19.76 19.76	1.18 0.83	1.28 1.28	2.56 2.56	0.94 0.94	4.53 4.53	1.97 ± 0.47 1.97 ± 0.47	VR4 VR6	R R	405153 470516
20.47	20.67	19.96 19.96	1.18 0.83	1.28 1.28	2.56 2.56	0.94 0.94	4.53 4.53	1.97 ± 0.47 1.97 ± 0.47	VR4 VR6	R R	405203 470521
20.67	20.87	20.16 20.16	1.18 0.83	1.28 1.28	2.56 2.56	0.94 0.94	4.53 4.53	1.97 ± 0.47 1.97 ± 0.47	VR4 VR6	R R	405253 470526
21.26	22.64	19.49 19.49	0.26 0.26	0.24 0.24	0.41 0.41	0.20 0.20	0.79 0.79	0.31 ± 0.06 0.31 ± 0.06	VR3 VR3	R V	405502 405506

V-ring seals – inch dimensions, for North American market

d_1 20.87 – 28.74 in.

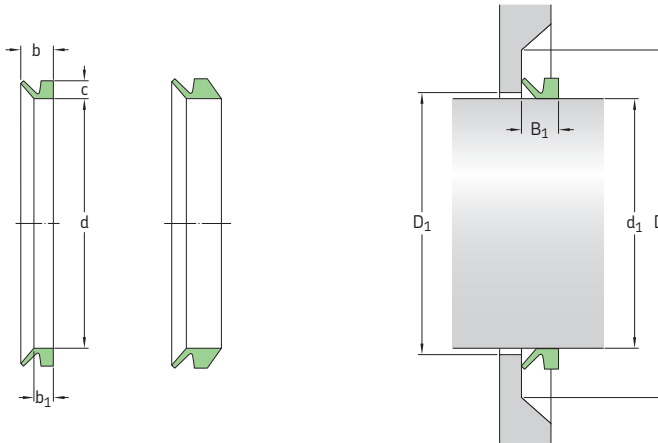


Dimensions		Seal inside diameter, free state d	Nominal seal height c	Seal seat width b_1	Nominal seal width b	Clearance $D_1 (= d_1 +)$ max	Counter-face $D (= d_1 +)$ min	Seal fitted width B_1	Design	Lip code	Designation
Shaft diameter range d_1 over	incl.										
in.	in.								-	-	-
20.87	22.83	19.49	0.59	0.56	0.98	0.39	1.77	0.79 ± 0.16	VR1	R	405500
		19.49	0.59	0.56	0.98	0.39	1.77	0.79 ± 0.16	VR1	V	405504
20.87	21.06	20.35	1.18	1.28	2.56	0.94	4.53	1.97 ± 0.47	VR4	R	405303
		20.35	0.83	1.28	2.56	0.94	4.53	1.97 ± 0.47	VR6	R	470531
21.06	21.26	20.51	1.18	1.28	2.56	0.94	4.53	1.97 ± 0.47	VR4	R	405353
		20.51	0.83	1.28	2.56	0.94	4.53	1.97 ± 0.47	VR6	R	470536
21.26	21.46	20.71	1.18	1.28	2.56	0.94	4.53	1.97 ± 0.47	VR4	R	405403
		20.71	0.83	1.28	2.56	0.94	4.53	1.97 ± 0.47	VR6	R	470541
21.46	21.65	20.91	1.18	1.28	2.56	0.94	4.53	1.97 ± 0.47	VR4	R	405453
		20.91	0.83	1.28	2.56	0.94	4.53	1.97 ± 0.47	VR6	R	470546
21.65	21.85	21.10	1.18	1.28	2.56	0.94	4.53	1.97 ± 0.47	VR4	R	405503
		21.10	0.83	1.28	2.56	0.94	4.53	1.97 ± 0.47	VR6	R	470551
21.85	22.05	21.30	1.18	1.28	2.56	0.94	4.53	1.97 ± 0.47	VR4	R	405553
		21.30	0.83	1.28	2.56	0.94	4.53	1.97 ± 0.47	VR6	R	470556
22.05	22.24	21.50	1.18	1.28	2.56	0.94	4.53	1.97 ± 0.47	VR4	R	405603
		21.50	0.83	1.28	2.56	0.94	4.53	1.97 ± 0.47	VR6	R	470561
22.24	22.44	21.65	1.18	1.28	2.56	0.94	4.53	1.97 ± 0.47	VR4	R	405653
		21.65	0.83	1.28	2.56	0.94	4.53	1.97 ± 0.47	VR6	R	470566
22.44	22.64	21.85	1.18	1.28	2.56	0.94	4.53	1.97 ± 0.47	VR4	R	405703
		21.85	0.83	1.28	2.56	0.94	4.53	1.97 ± 0.47	VR6	R	470571
22.64	22.83	22.05	1.18	1.28	2.56	0.94	4.53	1.97 ± 0.47	VR4	R	405753
		22.05	0.83	1.28	2.56	0.94	4.53	1.97 ± 0.47	VR6	R	470576
22.64	24.61	21.26	0.26	0.24	0.41	0.20	0.79	0.31 ± 0.06	VR3	R	406002
		21.26	0.26	0.24	0.41	0.20	0.79	0.31 ± 0.06	VR3	V	406006
22.83	24.80	21.26	0.59	0.56	0.98	0.39	1.77	0.79 ± 0.16	VR1	R	406000
		21.26	0.59	0.56	0.98	0.39	1.77	0.79 ± 0.16	VR1	V	406004

Dimensions		Seal inside diameter, free state d	Nominal seal height c	Seal seat width b ₁	Nominal seal width b	Clearance D ₁ (= d ₁₊) max	Counter-face D (= d ₁₊) min	Seal fitted width B ₁	Design	Lip code	Designation
Shaft diameter range d ₁ over	incl.										
in.		in.							-	-	-
22.83	23.03	22.24	1.18	1.28	2.56	0.94	4.53	1.97 ± 0.47	VR4	R	405803
		22.24	0.83	1.28	2.56	0.94	4.53	1.97 ± 0.47	VR6	R	470581
23.03	23.23	22.44	1.18	1.28	2.56	0.94	4.53	1.97 ± 0.47	VR4	R	405853
		22.44	0.83	1.28	2.56	0.94	4.53	1.97 ± 0.47	VR6	R	470586
23.23	23.62	22.64	1.18	1.28	2.56	0.94	4.53	1.97 ± 0.47	VR4	R	405903
		22.64	0.83	1.28	2.56	0.94	4.53	1.97 ± 0.47	VR6	R	470591
23.62	24.02	22.91	1.18	1.28	2.56	0.94	4.53	1.97 ± 0.47	VR4	R	406003
		22.91	0.83	1.28	2.56	0.94	4.53	1.97 ± 0.47	VR6	R	470601
24.02	24.41	23.31	1.18	1.28	2.56	0.94	4.53	1.97 ± 0.47	VR4	R	406103
		23.31	0.83	1.28	2.56	0.94	4.53	1.97 ± 0.47	VR6	R	470611
24.41	24.80	23.70	1.18	1.28	2.56	0.94	4.53	1.97 ± 0.47	VR4	R	406203
		23.70	0.83	1.28	2.56	0.94	4.53	1.97 ± 0.47	VR6	R	470621
24.21	26.57	23.62	0.26	0.24	0.41	0.20	0.79	0.31 ± 0.06	VR3	R	406502
		23.62	0.26	0.24	0.41	0.20	0.79	0.31 ± 0.06	VR3	V	406506
24.80	26.18	23.62	0.59	0.56	0.98	0.39	1.77	0.79 ± 0.16	VR1	R	406500
		23.62	0.59	0.56	0.98	0.39	1.77	0.79 ± 0.16	VR1	V	406504
24.80	25.20	24.09	1.18	1.28	2.56	0.94	4.53	1.97 ± 0.47	VR4	R	406303
		24.09	0.83	1.28	2.56	0.94	4.53	1.97 ± 0.47	VR6	R	470631
25.20	25.59	24.45	1.18	1.28	2.56	0.94	4.53	1.97 ± 0.47	VR4	R	406403
		24.45	0.83	1.28	2.56	0.94	4.53	1.97 ± 0.47	VR6	R	470641
25.59	25.98	24.84	1.18	1.28	2.56	0.94	4.53	1.97 ± 0.47	VR4	R	406503
		24.84	0.83	1.28	2.56	0.94	4.53	1.97 ± 0.47	VR6	R	470651
25.98	26.38	25.20	1.18	1.28	2.56	0.94	4.53	1.97 ± 0.47	VR4	R	406603
		25.20	0.83	1.28	2.56	0.94	4.53	1.97 ± 0.47	VR6	R	470661
26.57	27.95	24.80	0.26	0.24	0.41	0.20	0.79	0.31 ± 0.06	VR3	R	407002
		24.80	0.26	0.24	0.41	0.20	0.79	0.31 ± 0.06	VR3	V	407006
26.18	27.76	24.80	0.59	0.56	0.98	0.39	1.77	0.79 ± 0.16	VR1	R	407000
		24.80	0.59	0.56	0.98	0.39	1.77	0.79 ± 0.16	VR1	V	407004
26.38	26.77	25.59	1.18	1.28	2.56	0.94	4.53	1.97 ± 0.47	VR4	R	406703
		25.59	0.83	1.28	2.56	0.94	4.53	1.97 ± 0.47	VR6	R	470671
26.77	27.17	25.98	1.18	1.28	2.56	0.94	4.53	1.97 ± 0.47	VR4	R	406803
		25.98	0.83	1.28	2.56	0.94	4.53	1.97 ± 0.47	VR6	R	470681
27.17	27.56	26.38	1.18	1.28	2.56	0.94	4.53	1.97 ± 0.47	VR4	R	406903
		26.38	0.83	1.28	2.56	0.94	4.53	1.97 ± 0.47	VR6	R	470691
27.56	27.95	26.77	1.18	1.28	2.56	0.94	4.53	1.97 ± 0.47	VR4	R	407003
		26.77	0.83	1.28	2.56	0.94	4.53	1.97 ± 0.47	VR6	R	470701
27.95	29.13	26.38	0.26	0.24	0.41	0.20	0.79	0.31 ± 0.06	VR3	R	407252
		26.38	0.26	0.24	0.41	0.20	0.79	0.31 ± 0.06	VR3	V	407256
27.76	29.33	26.38	0.59	0.56	0.98	0.39	1.77	0.79 ± 0.16	VR1	R	407250
		26.38	0.59	0.56	0.98	0.39	1.77	0.79 ± 0.16	VR1	V	407254
27.95	28.35	27.13	1.18	1.28	2.56	0.94	4.53	1.97 ± 0.47	VR4	R	407103
		27.13	0.83	1.28	2.56	0.94	4.53	1.97 ± 0.47	VR6	R	470711
28.35	28.74	27.52	1.18	1.28	2.56	0.94	4.53	1.97 ± 0.47	VR4	R	407203
		27.52	0.83	1.28	2.56	0.94	4.53	1.97 ± 0.47	VR6	R	470721

V-ring seals – inch dimensions, for North American market

d_1 28.74 – 39.96 in.

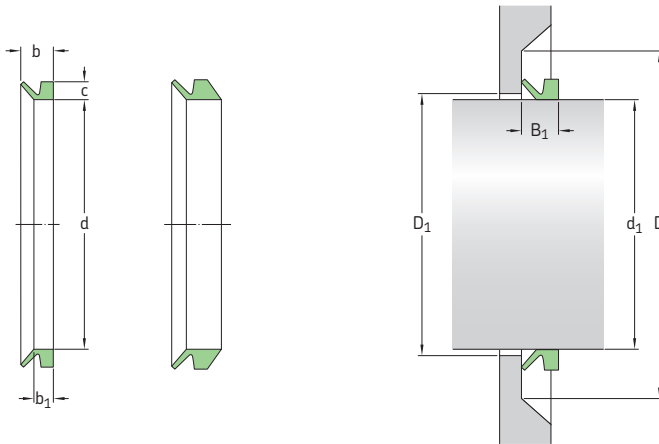


Dimensions		Seal inside diameter, free state d	Nominal seal height c	Seal seat width b_1	Nominal seal width b	Clearance $D_1 (= d_1 +)$ max	Counter-face $D (= d_1 +)$ min	Seal fitted width B_1	Design	Lip code	Designation
Shaft diameter range d_1 over	incl.										
in.	in.										
28.74	29.13	27.91	1.18	1.28	2.56	0.94	4.53	1.97 ± 0.47	VR4	R	407303
		27.91	0.83	1.28	2.56	0.94	4.53	1.97 ± 0.47			
29.13	29.53	28.27	1.18	1.28	2.56	0.94	4.53	1.97 ± 0.47	VR4	R	407403
		28.27	0.83	1.28	2.56	0.94	4.53	1.97 ± 0.47			
29.13	30.51	27.76	0.26	0.24	0.41	0.20	0.79	0.31 ± 0.06	VR3	R	407502
		27.76	0.26	0.24	0.41	0.20	0.79	0.31 ± 0.06			
29.33	30.91	27.76	0.59	0.56	0.98	0.39	1.77	0.79 ± 0.16	VR1	R	407500
		27.76	0.59	0.56	0.98	0.39	1.77	0.79 ± 0.16			
29.53	29.84	28.66	1.18	1.28	2.56	0.94	4.53	1.97 ± 0.47	VR4	R	407503
		28.66	0.83	1.28	2.56	0.94	4.53	1.97 ± 0.47			
29.84	30.16	28.94	1.18	1.28	2.56	0.94	4.53	1.97 ± 0.47	VR4	R	407603
		28.94	0.83	1.28	2.56	0.94	4.53	1.97 ± 0.47			
30.16	30.47	29.25	1.18	1.28	2.56	0.94	4.53	1.97 ± 0.47	VR4	R	407703
		29.25	0.83	1.28	2.56	0.94	4.53	1.97 ± 0.47			
30.47	30.83	29.57	1.18	1.28	2.56	0.94	4.53	1.97 ± 0.47	VR4	R	407803
		29.57	0.83	1.28	2.56	0.94	4.53	1.97 ± 0.47			
30.83	31.18	29.88	1.18	1.28	2.56	0.94	4.53	1.97 ± 0.47	VR4	R	407903
		29.88	0.83	1.28	2.56	0.94	4.53	1.97 ± 0.47			
30.51	32.48	29.33	0.26	0.24	0.41	0.20	0.79	0.31 ± 0.06	VR3	R	408002
		29.33	0.26	0.24	0.41	0.20	0.79	0.31 ± 0.06			
30.91	32.68	29.33	0.59	0.56	0.98	0.39	1.77	0.79 ± 0.16	VR1	R	408000
		29.33	0.59	0.56	0.98	0.39	1.77	0.79 ± 0.16			
31.18	31.54	30.24	1.18	1.28	2.56	0.94	4.53	1.97 ± 0.47	VR4	R	408003
		30.24	0.83	1.28	2.56	0.94	4.53	1.97 ± 0.47			
31.54	31.89	30.59	1.18	1.28	2.56	0.94	4.53	1.97 ± 0.47	VR4	R	408103
		30.59	0.83	1.28	2.56	0.94	4.53	1.97 ± 0.47			

Dimensions		Seal inside diameter, free state d	Nominal seal height c	Seal seat width b ₁	Nominal seal width b	Clearance D ₁ (= d ₁ +) max	Counter-face D (= d ₁ +) min	Seal fitted width B ₁	Design	Lip code	Designation
Shaft diameter range d ₁ over	incl.										
in.		in.							-	-	-
31.89	32.32	30.94 30.94	1.18 0.83	1.28 1.28	2.56 2.56	0.94 0.94	4.53 4.53	1.97 ± 0.47 1.97 ± 0.47	VR4 VR6	R R	408203 470821
32.32	32.72	31.34 31.34	1.18 0.83	1.28 1.28	2.56 2.56	0.94 0.94	4.53 4.53	1.97 ± 0.47 1.97 ± 0.47	VR4 VR6	R R	408303 470831
32.48	34.45	30.91 30.91	0.26 0.26	0.24 0.24	0.41 0.41	0.20 0.20	0.79 0.79	0.31 ± 0.06 0.31 ± 0.06	VR3 VR3	R V	408502 408506
32.68	34.45	30.91 30.91	0.59 0.59	0.56 0.56	0.98 0.98	0.39 0.39	1.77 1.77	0.79 ± 0.16 0.79 ± 0.16	VR1 VR1	R V	408500 408504
32.72	33.11	31.69 31.69	1.18 0.83	1.28 1.28	2.56 2.56	0.94 0.94	4.53 4.53	1.97 ± 0.47 1.97 ± 0.47	VR4 VR6	R R	408403 470841
33.11	33.50	32.05 32.05	1.18 0.83	1.28 1.28	2.56 2.56	0.94 0.94	4.53 4.53	1.97 ± 0.47 1.97 ± 0.47	VR4 VR6	R R	408503 470851
33.50	33.90	32.44 32.44	1.18 0.83	1.28 1.28	2.56 2.56	0.94 0.94	4.53 4.53	1.97 ± 0.47 1.97 ± 0.47	VR4 VR6	R R	408603 470861
33.90	34.29	32.80 32.80	1.18 0.83	1.28 1.28	2.56 2.56	0.94 0.94	4.53 4.53	1.97 ± 0.47 1.97 ± 0.47	VR4 VR6	R R	408703 470871
34.29	34.72	33.19 33.19	1.18 0.83	1.28 1.28	2.56 2.56	0.94 0.94	4.53 4.53	1.97 ± 0.47 1.97 ± 0.47	VR4 VR6	R R	408803 470881
34.45	36.42	32.48 32.48	0.26 0.26	0.24 0.24	0.41 0.41	0.20 0.20	0.79 0.79	0.31 ± 0.06 0.31 ± 0.06	VR3 VR3	R V	409002 409006
34.45	36.22	32.48 32.48	0.59 0.59	0.56 0.56	0.98 0.98	0.39 0.39	1.77 1.77	0.79 ± 0.16 0.79 ± 0.16	VR1 VR1	R V	409000 409004
34.72	35.12	33.58 33.58	1.18 0.83	1.28 1.28	2.56 2.56	0.94 0.94	4.53 4.53	1.97 ± 0.47 1.97 ± 0.47	VR4 VR6	R R	408903 470891
35.12	35.91	34.29 34.29	1.18 0.83	1.28 1.28	2.56 2.56	0.94 0.94	4.53 4.53	1.97 ± 0.47 1.97 ± 0.47	VR4 VR6	R R	409003 470901
35.91	36.30	34.65 34.65	1.18 0.83	1.28 1.28	2.56 2.56	0.94 0.94	4.53 4.53	1.97 ± 0.47 1.97 ± 0.47	VR4 VR6	R R	409203 470921
36.42	38.39	34.06 34.06	0.26 0.26	0.24 0.24	0.41 0.41	0.20 0.20	0.79 0.79	0.31 ± 0.06 0.31 ± 0.06	VR3 VR3	R V	409502 409506
36.22	37.99	34.06 34.06	0.59 0.59	0.56 0.56	0.98 0.98	0.39 0.39	1.77 1.77	0.79 ± 0.16 0.79 ± 0.16	VR1 VR1	R V	409500 409504
36.30	36.73	35.04 35.04	1.18 0.83	1.28 1.28	2.56 2.56	0.94 0.94	4.53 4.53	1.97 ± 0.47 1.97 ± 0.47	VR4 VR6	R R	409303 470931
36.73	37.17	35.43 35.43	1.18 0.83	1.28 1.28	2.56 2.56	0.94 0.94	4.53 4.53	1.97 ± 0.47 1.97 ± 0.47	VR4 VR6	R R	409403 470941
37.17	37.60	35.87 35.87	1.18 0.83	1.28 1.28	2.56 2.56	0.94 0.94	4.53 4.53	1.97 ± 0.47 1.97 ± 0.47	VR4 VR6	R R	409503 470951
37.60	38.03	36.26 36.26	1.18 0.83	1.28 1.28	2.56 2.56	0.94 0.94	4.53 4.53	1.97 ± 0.47 1.97 ± 0.47	VR4 VR6	R R	409603 470961
38.39	40.35	35.83 35.83	0.26 0.26	0.24 0.24	0.41 0.41	0.20 0.20	0.79 0.79	0.31 ± 0.06 0.31 ± 0.06	VR3 VR3	R V	410002 410006
37.99	39.96	35.83 35.83	0.59 0.59	0.56 0.56	0.98 0.98	0.39 0.39	1.77 1.77	0.79 ± 0.16 0.79 ± 0.16	VR1 VR1	R V	410000 410004

V-ring seals – inch dimensions, for North American market

d_1 38.03 – 56.69 in.

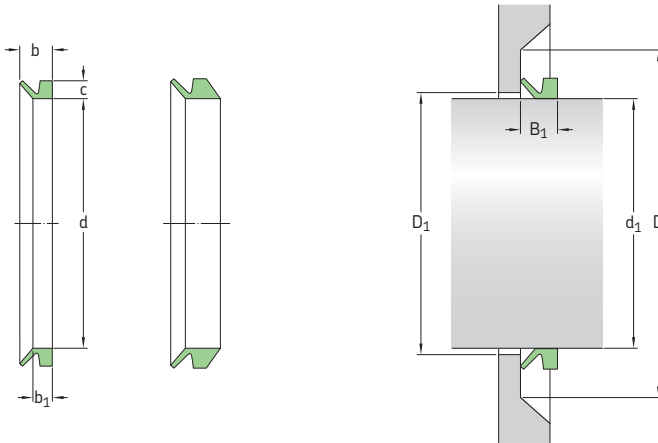


Dimensions		Seal inside diameter, free state d	Nominal seal height c	Seal seat width b_1	Nominal seal width b	Clearance $D_1 (= d_1 +)$ max	Counter-face $D (= d_1 +)$ min	Seal fitted width B_1	Design	Lip code	Designation
Shaft diameter range d_1 over	incl.										
in.	in.										
38.03	38.46	36.69	1.18	1.28	2.56	0.94	4.53	1.97 ± 0.47	VR4	R	409703
		36.69	0.83	1.28	2.56	0.94	4.53	1.97 ± 0.47	VR6	R	470971
38.46	38.90	37.09	1.18	1.28	2.56	0.94	4.53	1.97 ± 0.47	VR4	R	409803
		37.09	0.83	1.28	2.56	0.94	4.53	1.97 ± 0.47	VR6	R	470981
38.90	39.33	37.52	1.18	1.28	2.56	0.94	4.53	1.97 ± 0.47	VR4	R	409903
		37.52	0.83	1.28	2.56	0.94	4.53	1.97 ± 0.47	VR6	R	470991
39.33	39.76	37.91	1.18	1.28	2.56	0.94	4.53	1.97 ± 0.47	VR4	R	410003
		37.91	0.83	1.28	2.56	0.94	4.53	1.97 ± 0.47	VR6	R	471001
39.76	40.35	38.31	1.18	1.28	2.56	0.94	4.53	1.97 ± 0.47	VR4	R	410203
		38.31	0.83	1.28	2.56	0.94	4.53	1.97 ± 0.47	VR6	R	471021
40.35	42.32	37.60	0.26	0.24	0.41	0.20	0.79	0.31 ± 0.06	VR3	R	410502
		37.60	0.26	0.24	0.41	0.20	0.79	0.31 ± 0.06	VR3	V	410506
39.96	41.93	37.60	0.59	0.56	0.98	0.39	1.77	0.79 ± 0.16	VR1	R	410500
40.35	41.14	38.98	1.18	1.28	2.56	0.94	4.53	1.97 ± 0.47	VR4	R	410403
		38.98	0.83	1.28	2.56	0.94	4.53	1.97 ± 0.47	VR6	R	471041
41.14	41.93	39.69	1.18	1.28	2.56	0.94	4.53	1.97 ± 0.47	VR4	R	410603
		39.69	0.83	1.28	2.56	0.94	4.53	1.97 ± 0.47	VR6	R	471061
42.32	44.29	39.37	0.26	0.24	0.41	0.20	0.79	0.31 ± 0.06	VR3	R	411002
		39.37	0.26	0.24	0.41	0.20	0.79	0.31 ± 0.06	VR3	V	411006
41.93	43.90	39.37	0.59	0.56	0.98	0.39	1.77	0.79 ± 0.16	VR1	R	411000
41.93	42.72	40.43	1.18	1.28	2.56	0.94	4.53	1.97 ± 0.47	VR4	R	410803
		40.43	0.83	1.28	2.56	0.94	4.53	1.97 ± 0.47	VR6	R	471081
42.72	43.50	41.14	1.18	1.28	2.56	0.94	4.53	1.97 ± 0.47	VR4	R	411003
		41.14	0.83	1.28	2.56	0.94	4.53	1.97 ± 0.47	VR6	R	471101
43.50	44.29	41.93	1.18	1.28	2.56	0.94	4.53	1.97 ± 0.47	VR4	R	411203
		41.93	0.83	1.28	2.56	0.94	4.53	1.97 ± 0.47	VR6	R	471121
44.29	46.26	41.14	0.26	0.24	0.41	0.20	0.79	0.31 ± 0.06	VR3	R	411502
		41.14	0.26	0.24	0.41	0.20	0.79	0.31 ± 0.06	VR3	V	411506

Dimensions		Seal inside diameter, free state d	Nominal seal height c	Seal seat width b ₁	Nominal seal width b	Clearance D ₁ (= d ₁₊) max	Counter-face D(= d ₁₊) min	Seal fitted width B ₁	Design	Lip code	Designation
Shaft diameter range d ₁ over	incl.										
in.		in.							-	-	-
43.90	45.87	41.14	0.59	0.56	0.98	0.39	1.77	0.79 ± 0.16	VR1	R	411500
44.29	45.08	42.68 42.68	1.18 0.83	1.28 1.28	2.56 2.56	0.94 0.94	4.53 4.53	1.97 ± 0.47 1.97 ± 0.47	VR4 VR6	R R	411403 471141
45.08	45.87	43.43 43.43	1.18 0.83	1.28 1.28	2.56 2.56	0.94 0.94	4.53 4.53	1.97 ± 0.47 1.97 ± 0.47	VR4 VR6	R R	411603 471161
46.26	48.23	42.91 42.91	0.26 0.26	0.24 0.24	0.41 0.41	0.20 0.20	0.79 0.79	0.31 ± 0.06 0.31 ± 0.06	VR3 VR3	R V	412002 412006
45.87	47.83	42.91	0.59	0.56	0.98	0.39	1.77	0.79 ± 0.16	VR1	R	412000
45.87	46.65	44.13 44.13	1.18 0.83	1.28 1.28	2.56 2.56	0.94 0.94	4.53 4.53	1.97 ± 0.47 1.97 ± 0.47	VR4 VR6	R R	411803 471181
46.65	47.44	44.84 44.84	1.18 0.83	1.28 1.28	2.56 2.56	0.94 0.94	4.53 4.53	1.97 ± 0.47 1.97 ± 0.47	VR4 VR6	R R	412003 471201
47.44	48.23	45.55 45.55	1.18 0.83	1.28 1.28	2.56 2.56	0.94 0.94	4.53 4.53	1.97 ± 0.47 1.97 ± 0.47	VR4 VR6	R R	412203 471221
48.23	50.20	44.69 44.69	0.26 0.26	0.24 0.24	0.41 0.41	0.20 0.20	0.79 0.79	0.31 ± 0.06 0.31 ± 0.06	VR3 VR3	R V	412502 412506
47.83	50.00	44.69	0.59	0.56	0.98	0.39	1.77	0.79 ± 0.16	VR1	R	412500
48.23	49.02	46.30 46.30	1.18 0.83	1.28 1.28	2.56 2.56	0.94 0.94	4.53 4.53	1.97 ± 0.47 1.97 ± 0.47	VR4 VR6	R R	412403 471241
49.02	50.00	47.05 47.05	1.18 0.83	1.28 1.28	2.56 2.56	0.94 0.94	4.53 4.53	1.97 ± 0.47 1.97 ± 0.47	VR4 VR6	R R	412603 471261
50.00	50.98	47.95 47.95	1.18 0.83	1.28 1.28	2.56 2.56	0.94 0.94	4.53 4.53	1.97 ± 0.47 1.97 ± 0.47	VR4 VR6	R R	412803 471281
50.20	52.17	46.46 46.46	0.26 0.26	0.24 0.24	0.41 0.41	0.20 0.20	0.79 0.79	0.31 ± 0.06 0.31 ± 0.06	VR3 VR3	R V	413002 413006
50.00	51.97	46.46	0.59	0.56	0.98	0.39	1.77	0.79 ± 0.16	VR1	R	413000
50.98	51.77	48.82 48.82	1.18 0.83	1.28 1.28	2.56 2.56	0.94 0.94	4.53 4.53	1.97 ± 0.47 1.97 ± 0.47	VR4 VR6	R R	413003 471301
51.77	52.76	49.57 49.57	1.18 0.83	1.28 1.28	2.56 2.56	0.94 0.94	4.53 4.53	1.97 ± 0.47 1.97 ± 0.47	VR4 VR6	R R	413253 471326
52.17	54.13	48.23 48.23	0.26 0.26	0.24 0.24	0.41 0.41	0.20 0.20	0.79 0.79	0.31 ± 0.06 0.31 ± 0.06	VR3 VR3	R V	413502 413506
51.97	53.94	48.23	0.59	0.56	0.98	0.39	1.77	0.79 ± 0.16	VR1	R	413500
52.76	53.74	50.43 50.43	1.18 0.83	1.28 1.28	2.56 2.56	0.94 0.94	4.53 4.53	1.97 ± 0.47 1.97 ± 0.47	VR4 VR6	R R	413503 471351
53.74	54.72	51.38 51.38	1.18 0.83	1.28 1.28	2.56 2.56	0.94 0.94	4.53 4.53	1.97 ± 0.47 1.97 ± 0.47	VR4 VR6	R R	413753 471376
54.13	56.10	50.00 50.00	0.26 0.26	0.24 0.24	0.41 0.41	0.20 0.20	0.79 0.79	0.31 ± 0.06 0.31 ± 0.06	VR3 VR3	R V	414002 414006
53.94	55.91	50.00	0.59	0.56	0.98	0.39	1.77	0.79 ± 0.16	VR1	R	414000
54.72	55.71	52.28 52.28	1.18 0.83	1.28 1.28	2.56 2.56	0.94 0.94	4.53 4.53	1.97 ± 0.47 1.97 ± 0.47	VR4 VR6	R R	414003 471401
55.71	56.69	53.15 53.15	1.18 0.83	1.28 1.28	2.56 2.56	0.94 0.94	4.53 4.53	1.97 ± 0.47 1.97 ± 0.47	VR4 VR6	R R	414253 471426

V-ring seals – inch dimensions, for North American market

d_1 56.10 – 79.53 in.



Dimensions		Seal inside diameter, free state d	Nominal seal height c	Seal seat width b_1	Nominal seal width b	Clearance $D_1 (= d_1 +)$ max	Counter-face $D (= d_1 +)$ min	Seal fitted width B_1	Design	Lip code	Designation
Shaft diameter range d_1 over	incl.										
in.	in.								-	-	-
56.10	58.07	51.77	0.26	0.24	0.41	0.20	0.79	0.31 ± 0.06	VR3	R	414502
		51.77	0.26	0.24	0.41	0.20	0.79	0.31 ± 0.06	VR3	V	414506
55.91	57.87	51.77	0.59	0.56	0.98	0.39	1.77	0.79 ± 0.16	VR1	R	414500
56.69	57.68	54.09	1.18	1.28	2.56	0.94	4.53	1.97 ± 0.47	VR4	R	414503
		54.09	0.83	1.28	2.56	0.94	4.53	1.97 ± 0.47	VR6	R	471451
57.68	58.66	55.00	1.18	1.28	2.56	0.94	4.53	1.97 ± 0.47	VR4	R	414753
		55.00	0.83	1.28	2.56	0.94	4.53	1.97 ± 0.47	VR6	R	471476
58.07	60.04	53.54	0.26	0.24	0.41	0.20	0.79	0.31 ± 0.06	VR3	R	415002
		53.54	0.26	0.24	0.41	0.20	0.79	0.31 ± 0.06	VR3	V	415006
57.87	59.84	53.54	0.59	0.56	0.98	0.39	1.77	0.79 ± 0.16	VR1	R	415000
58.66	59.65	55.87	1.18	1.28	2.56	0.94	4.53	1.97 ± 0.47	VR4	R	415003
		55.87	0.83	1.28	2.56	0.94	4.53	1.97 ± 0.47	VR6	R	471501
59.65	60.63	56.81	1.18	1.28	2.56	0.94	4.53	1.97 ± 0.47	VR4	R	415253
		56.81	0.83	1.28	2.56	0.94	4.53	1.97 ± 0.47	VR6	R	471526
60.04	62.01	55.31	0.26	0.24	0.41	0.20	0.79	0.31 ± 0.06	VR3	R	415502
		55.31	0.26	0.24	0.41	0.20	0.79	0.31 ± 0.06	VR3	V	415506
59.84	61.81	55.31	0.59	0.56	0.98	0.39	1.77	0.79 ± 0.16	VR1	R	415500
60.63	61.81	57.76	1.18	1.28	2.56	0.94	4.53	1.97 ± 0.47	VR4	R	415503
		57.76	0.83	1.28	2.56	0.94	4.53	1.97 ± 0.47	VR6	R	471551
61.81	62.99	58.86	1.18	1.28	2.56	0.94	4.53	1.97 ± 0.47	VR4	R	415753
		58.86	0.83	1.28	2.56	0.94	4.53	1.97 ± 0.47	VR6	R	471576
62.01	63.98	57.09	0.26	0.24	0.41	0.20	0.79	0.31 ± 0.06	VR3	R	416002
		57.09	0.26	0.24	0.41	0.20	0.79	0.31 ± 0.06	VR3	V	416006
61.81	63.78	57.09	0.59	0.56	0.98	0.39	1.77	0.79 ± 0.16	VR1	R	416000
62.99	64.57	60.00	1.18	1.28	2.56	0.94	4.53	1.97 ± 0.47	VR4	R	416003
		60.00	0.83	1.28	2.56	0.94	4.53	1.97 ± 0.47	VR6	R	471601

Dimensions		Seal inside diameter, free state d	Nominal seal height c	Seal seat width b ₁	Nominal seal width b	Clearance D ₁ (= d ₁₊) max	Counter-face D (= d ₁₊) min	Seal fitted width B ₁	Design	Lip code	Designation
Shaft diameter range d ₁ over	incl.										
in.		in.							-	-	-
63.98	65.94	58.86 58.86	0.26 0.26	0.24 0.24	0.41 0.41	0.20 0.20	0.79 0.79	0.31 ± 0.06 0.31 ± 0.06	VR3 VR3	R V	416502 416506
63.78	65.75	58.86	0.59	0.56	0.98	0.39	1.77	0.79 ± 0.16	VR1	R	416500
64.57	66.14	61.38 61.38	1.18 0.83	1.28 1.28	2.56 2.56	0.94 0.94	4.53 4.53	1.97 ± 0.47 1.97 ± 0.47	VR4 VR6	R R	416503 471651
65.94	67.91	60.63 60.63	0.26 0.26	0.24 0.24	0.41 0.41	0.20 0.20	0.79 0.79	0.31 ± 0.06 0.31 ± 0.06	VR3 VR3	R V	417002 417006
65.75	67.72	60.63	0.59	0.56	0.98	0.39	1.77	0.79 ± 0.16	VR1	R	417000
66.14	67.72	62.83 62.83	1.18 0.83	1.28 1.28	2.56 2.56	0.94 0.94	4.53 4.53	1.97 ± 0.47 1.97 ± 0.47	VR4 VR6	R R	417003 471701
67.91	69.88	62.40 62.40	0.26 0.26	0.24 0.24	0.41 0.41	0.20 0.20	0.79 0.79	0.31 ± 0.06 0.31 ± 0.06	VR3 VR3	R V	417502 417506
67.72	69.69	62.40	0.59	0.56	0.98	0.39	1.77	0.79 ± 0.16	VR1	R	417500
67.72	69.49	64.25 64.25	1.18 0.83	1.28 1.28	2.56 2.56	0.94 0.94	4.53 4.53	1.97 ± 0.47 1.97 ± 0.47	VR4 VR6	R R	417503 471751
69.49	71.26	65.79 65.79	1.18 0.83	1.28 1.28	2.56 2.56	0.94 0.94	4.53 4.53	1.97 ± 0.47 1.97 ± 0.47	VR4 VR6	R R	418003 471801
69.88	71.85	64.17 64.17	0.26 0.26	0.24 0.24	0.41 0.41	0.20 0.20	0.79 0.79	0.31 ± 0.06 0.31 ± 0.06	VR3 VR3	R V	418002 418006
69.69	71.65	64.17	0.59	0.56	0.98	0.39	1.77	0.79 ± 0.16	VR1	R	418000
71.26	73.03	67.48 67.48	1.18 0.83	1.28 1.28	2.56 2.56	0.94 0.94	4.53 4.53	1.97 ± 0.47 1.97 ± 0.47	VR4 VR6	R R	418503 471851
71.85	73.82	65.94 65.94	0.26 0.26	0.24 0.24	0.41 0.41	0.20 0.20	0.79 0.79	0.31 ± 0.06 0.31 ± 0.06	VR3 VR3	R V	418502 418506
71.65	73.62	65.94	0.59	0.56	0.98	0.39	1.77	0.79 ± 0.16	VR1	R	418500
73.03	75.00	69.02 69.02	1.18 0.83	1.28 1.28	2.56 2.56	0.94 0.94	4.53 4.53	1.97 ± 0.47 1.97 ± 0.47	VR4 VR6	R R	419003 471901
73.82	75.79	67.72 67.72	0.26 0.26	0.24 0.24	0.41 0.41	0.20 0.20	0.79 0.79	0.31 ± 0.06 0.31 ± 0.06	VR3 VR3	R V	419002 419006
73.62	75.59	67.72	0.59	0.56	0.98	0.39	1.77	0.79 ± 0.16	VR1	R	419000
75.00	76.97	70.63 70.63	1.18 0.83	1.28 1.28	2.56 2.56	0.94 0.94	4.53 4.53	1.97 ± 0.47 1.97 ± 0.47	VR4 VR6	R R	419503 471951
75.79	77.76	69.49 69.49	0.26 0.26	0.24 0.24	0.41 0.41	0.20 0.20	0.79 0.79	0.31 ± 0.06 0.31 ± 0.06	VR3 VR3	R V	419502 419506
75.59	77.56	69.49	0.59	0.56	0.98	0.39	1.77	0.79 ± 0.16	VR1	R	419500
76.97	79.13	72.60 72.60	1.18 0.83	1.28 1.28	2.56 2.56	0.94 0.94	4.53 4.53	1.97 ± 0.47 1.97 ± 0.47	VR4 VR6	R R	420003 472001
77.76	79.72	71.26 71.26	0.26 0.26	0.24 0.24	0.41 0.41	0.20 0.20	0.79 0.79	0.31 ± 0.06 0.31 ± 0.06	VR3 VR3	R V	420002 420006
77.56	79.53	71.26	0.59	0.56	0.98	0.39	1.77	0.79 ± 0.16	VR1	R	420000

MVR axial shaft seals

General

For added protection in extremely contaminated applications, SKF also offers MVR seals. Like V-ring seals, MVR seals also seal axially and function by combining lip contact with centrifugal "flinging" action. MVR seals are, however, different from V-rings in that their rubber element is stretch fit into a metal case. The metal case is then press fit onto the shaft. The case provides excellent protection from heavy debris and enables the seal to accommodate high rotational speeds without requiring auxiliary clamping devices.

MVR seals are used in rotating shaft applications such as gearboxes, speed reducers, saws, lathes, motors, mixers, where high levels of contaminants reduce the service life of radial shaft seals and bearings. MVR seals can also serve as primary seals to retain high-viscosity lubricants or exclude contaminants in dry-running applications.

Advantages and user benefits

- The metal case serves as a support and deflector, protecting the rubber body and lip from damage and displacement by external debris like rocks and aggressive media.
- The case also often functions as a holder that keeps the rubber lip in position in high-speed applications. No additional axial retention is required.
- Narrow installation widths are possible thanks to the compact design.
- Frictional heat build-up and torque drag are very low compared to those of contacting radial shaft seals. As rotational speed increases, the MVR sealing lip lifts off the counterface surface starting at about 12 m/s (2 360 ft/min) and drops to zero contact by 20 m/s (3 900 ft/min). The high rotational speed helps exclude contaminants while minimizing power loss.
- The service life of MVR seals is considerably higher than that of radial shaft seals in contaminated environments and can extend to thousands of hours.

Design and material

The MVR seals are made of a nitrile rubber material with very good wear resistance. Other elastomers are also available on request.

The standard metal element is zinc-plated cold-rolled carbon steel. Acid-resistant steel, similar to SAE 316, is available on request.

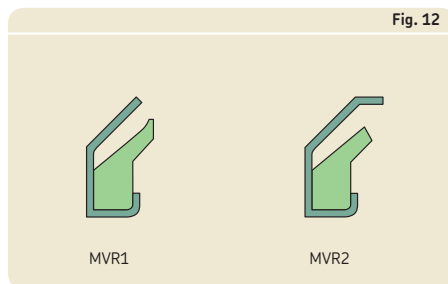
There are two different MVR seal designs: the basic MVR1 seal and the MVR2 seal with case extension (→ fig. 12).

Temperature range

The permissible operating temperature range is between -30 and $+100$ °C (-20 and $+210$ °F).

Sizes

MVR seals are available for shaft diameters ranging from 10 to 200 mm (0.394 to 7.874 in.). Contact your SKF sales representative for comprehensive information on available sizes.



Installation

The inside diameter of MVR seals is machined for a press fit on the shaft (→ **figs. 13** and **14**). As with radial shaft seals, do not hit the metal case with a hammer.

The sealing lip face should be lightly greased prior to installation, but no grease should be applied between the lip and case. A shaft finish of $R_a\ 4\ \mu\text{m}$ ($160\ \mu\text{in.}$) is sufficient.

A lead-in chamfer should be provided. No splines or keyways are allowed.

Counterface surfaces for MVR seals should be prepared the same way as for V-rings. Avoid aluminium or soft metals in applications where there will be abrasive contaminants. Sharp peaks on turned surfaces should be removed.

Fig. 13

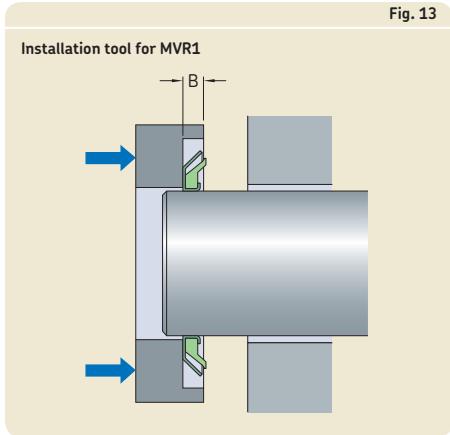
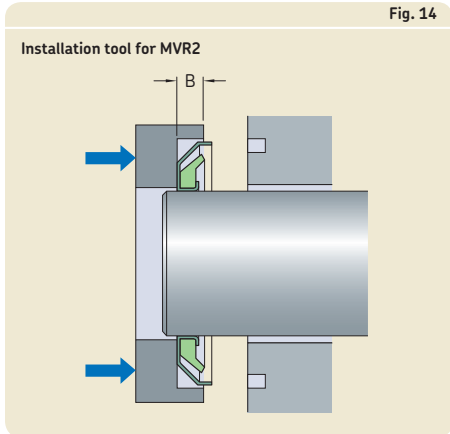
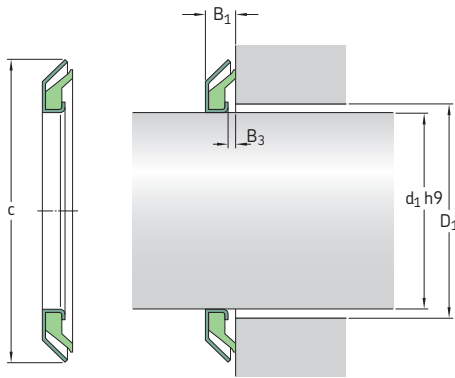


Fig. 14



Metal-cased V-ring seals – MVR1 – metric dimensions

d_1 10 – 135 mm



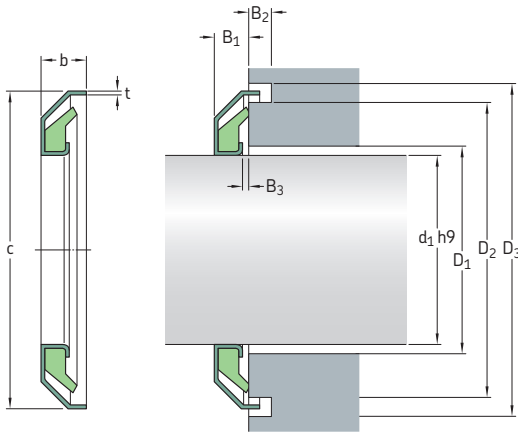
Dimensions					Designation
Shaft diameter d_1	Case outside diameter c	Seal fitted width B_1	Gap width B_3	Max. counterface hole diameter D_1	
mm					–
10	24	3,5	1,0	15	MVR1-10
12	26	3,5	1,0	17	MVR1-12
15	30	4,0	1,0	21	MVR1-15
16	32	4,0	1,0	23	MVR1-16
17	32	4,0	1,0	23	MVR1-17
18	33	4,0	1,0	24	MVR1-18
20	35	4,0	1,0	26	MVR1-20
22	40	4,0	1,0	28	MVR1-22
24	40	4,0	1,0	30	MVR1-24
25	40	4,0	1,0	31	MVR1-25
26	40	4,0	1,0	32	MVR1-26
28	43	4,0	1,0	34	MVR1-28
30	47	4,5	1,0	37	MVR1-30
32	49	4,5	1,0	39	MVR1-32
35	52	4,5	1,0	42	MVR1-35
40	57	4,5	1,0	47	MVR1-40
45	62	4,5	1,0	52	MVR1-45
48	65	4,5	1,0	55	MVR1-48
50	70	5,5	1,0	58	MVR1-50
52	72	5,5	1,0	60	MVR1-52
53	73	5,5	1,0	61	MVR1-53
55	75	5,5	1,0	63	MVR1-55
58	78	5,5	1,0	66	MVR1-58
60	80	5,5	1,0	68	MVR1-60
62	82	5,5	1,0	70	MVR1-62
65	85	5,5	1,0	73	MVR1-65
68	88	5,5	1,0	76	MVR1-68
70	90	5,5	1,0	78	MVR1-70
72	92	5,5	1,0	80	MVR1-72
75	95	5,5	1,0	83	MVR1-75

Special designs are available and new sizes are added gradually.

Dimensions					Designation
Shaft diameter d_1	Case outside diameter c	Seal fitted width B_1	Gap width B_3	Max. counterface hole diameter D_1	
mm					–
78	98	5,5	1,0	86	MVR1-78
80	100	5,5	1,0	88	MVR1-80
85	105	5,5	1,0	93	MVR1-85
90	110	5,5	1,0	98	MVR1-90
95	115	5,5	1,0	103	MVR1-95
100	120	5,5	1,0	108	MVR1-100
105	125	5,5	1,0	113	MVR1-105
125	148	6,5	1,0	133	MVR1-125
135	159	6,5	1,0	145	MVR1-135

Metal-cased V-ring seals – MVR2 – metric dimensions

d_1 15 – 100 mm



Dimensions

Shaft diameter d_1	Case outside diameter c	Seal fitted width B_1	Gap width B_3	Total seal case width b	Case groove width B_2	Seal counter-face hole D_1 max	Case groove diameter inside D_2	Case groove diameter outside D_3	Metal case thickness t	Designation
mm										
15	32	4,0	1,0	6,0	3	21	29	34	0,5	MVR2-15
17	34	4,0	1,0	6,0	3	23	31	36	0,5	MVR2-17
20	37	4,0	1,0	6,0	3	26	34	39	0,5	MVR2-20
25	42	4,0	1,0	6,0	3	31	39	44	0,5	MVR2-25
30	48	4,5	1,0	6,5	3	37	45	50	0,5	MVR2-30
35	53	4,5	1,0	6,5	3	42	50	55	0,5	MVR2-35
40	58	4,5	1,0	6,5	3	47	55	60	0,5	MVR2-40
45	63	4,5	1,0	6,5	3	52	60	65	0,5	MVR2-45
50	72	5,5	1,0	7,5	3	58	68,5	74	0,75	MVR2-50
55	77	5,5	1,0	7,5	3	63	73,5	79	0,75	MVR2-55
60	82	5,5	1,0	7,5	3	68	78,5	84	0,75	MVR2-60
65	87	5,5	1,0	7,5	3	73	83,5	89	0,75	MVR2-65
70	92	5,5	1,0	7,5	3	78	88,5	94	0,75	MVR2-70
75	95	5,5	1,0	7,5	3	83	93,5	99	0,75	MVR2-75
80	102	5,5	1,0	7,5	3	88	98,5	104	0,75	MVR2-80
85	107	5,5	1,0	7,5	3	93	103,5	109	0,75	MVR2-85
90	112	5,5	1,0	7,5	3	98	108,5	114	0,75	MVR2-90
95	117	5,5	1,0	7,5	3	103	113,5	119	0,75	MVR2-95
100	122	5,5	1,0	7,5	3	108	118,5	124	0,75	MVR2-100



Axial clamp seals

General	472
Designs	472
Design of the sealing arrangement	473
Installation instructions	474
8.1 Product table: CT1 and CT4	476

Axial clamp seals

General

SKF axial clamp seals are designed for large and very large shaft diameters. They are suitable for use as primary seals or as secondary seals in applications where the primary seals are subjected to excessive solid or fluid contaminants. Axial clamp seals do not rotate but seal axially against a rotating counterface.

SKF axial clamp seals are made of profiled strips of non-reinforced nitrile rubber and are held firmly in position by stainless steel band clamps. They are available for shaft diameters ranging from 150 to 4 600 mm (5.9 to 181 in.).

The standard range of SKF axial clamp seals is intended for inch-size shaft diameters. Because axial clamp seals are typically installed with an approximate 25 mm (0.984 in.) gap between the ends, they may also be used for metric shaft diameters.

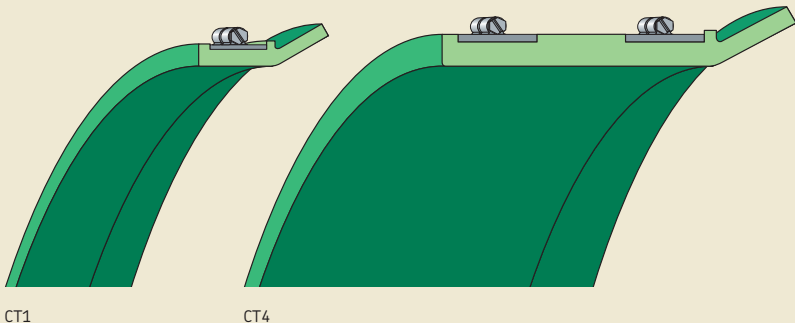
Designs

SKF axial clamp seals are manufactured in two different designs:

- CT1 seals (→ **fig. 1**) have the basic design and are held in position by a band clamp. The maximum permissible axial displacement relative to the counterface is +2,4 mm (0.094 in.).
- CT4 seals (→ **fig. 1**) are extra wide and are designed with two band clamps. The maximum axial displacement relative to the counterface is +4,8 mm (0.189 in.).

Fig. 1

Axial clamp seal designs



Design of the sealing arrangement

To obtain reliable sealing performance, the seal seat diameter (d_1), seal seat width (b_1) and the seal fitted width (B_1) should meet the requirements listed in **table 1**. SKF also recommends that the seal should abut a shoulder to simplify alignment.

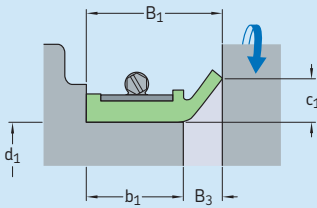
Finely turned counterfaces are adequate for axial clamp seals. The appropriate surface roughness values are R_a 2,5 μm (115 $\mu\text{in.}$) and R_t 12 μm (480 $\mu\text{in.}$).

Typically, after installation, CT axial clamp seals have an approximate 25 mm (1 in.) gap between the ends. This should be arranged at the 6 o'clock position (\rightarrow **fig. 2** on **page 474**) to facilitate installation and drainage of contaminants.

Butt-joint seals are also available for certain applications.

Table 1

Application tolerances



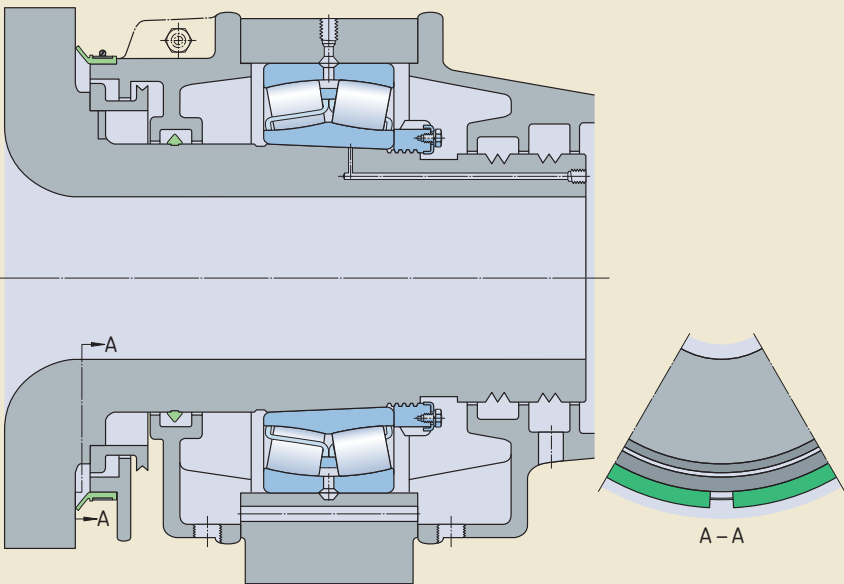
Dimension	Tolerance	Axial clamp seals	
		CT1	CT4
Seal seat diameter, d_1	mm $\pm 1,6$ in. ± 0.063	152,40 – 4 572 6.000 – 180.000	304,80 – 1 143 12.000 – 45.000
Seal fitted width, B_1	mm $\pm 0,8$ in. ± 0.031	28,60 – 38,10 1.125 – 1.500	38,10 – 92,20 1.500 – 3.750
Seal seat width, b_1	mm $\pm 3,2$ in. ± 0.125	17,50 – 27 0.688 – 1.063	27 – 84 1.063 – 3.313
Lip height, c_1	mm $\pm 0,8$ in. ± 0.031	12,70 0.500	12,70 0.500
Gap width, B_3 (max)	mm in.	11,10 0.437	11,10 0.437

Installation instructions

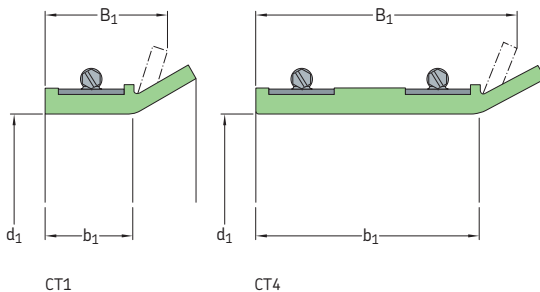
Axial clamp seals are supplied as rolled-up coils. They are placed in position on their seat in the housing and bolted lightly together. They are then pushed forward toward the counterface and the gap (or joint) between the two ends is arranged at the 6 o'clock position (→ **fig. 2**). The clamps are finally tightened. The torque applied to the clamp screws should not exceed 7 Nm.

Fig. 2

Sealing arrangement and installation



Axial clamp seals – CT1 and CT4 – metric dimensions (converted from inch dimensions)
d₁ 168 – 1 080 mm

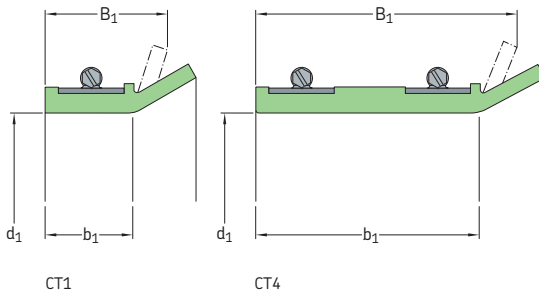


See **table 1, page 473** for application tolerances.

Dimensions			Design	Designation	Dimensions			Design	Designation
Seal seat diameter d ₁	Seal fitted width B ₁	Seal seat width b ₁			Seal seat diameter d ₁	Seal fitted width B ₁	Seal seat width b ₁		
mm			–	–	mm			–	–
168	28,60	17,50	CT1	594334	381	28,60	17,50	CT1	594025
168,30	28,60	17,50	CT1	529489	387	28,60	17,50	CT1	594954
178	38,10	27	CT1	523586	410	23,80	12,70	CT1	595110
185	30	18,90	CT1	593637	413	88,90	77,80	CT4	592934
209,60	28,60	17,50	CT1	527820	425	31,80	20,70	CT1	523826
219	28,60	17,50	CT1	529490		33,40	22,30	CT1	524815
227	28,60	17,50	CT1	531635	432	38,10	27	CT1	528535
228,60	28,60	17,50	CT1	524204	444,50	34,90	23,80	CT1	525737
	28,60	17,50	CT1	527819	445	31,80	20,70	CT1	522679
229	29	17,90	CT1	528631		34,90	23,80	CT1	523547
254	28,60	17,50	CT1	524205	449,30	95,30	84,20	CT4	528070
	28,60	17,50	CT1	527806	470	28,60	17,50	CT1	525708
273	28,60	17,50	CT1	594369		31,80	20,70	CT1	526192
280	28,60	17,50	CT1	524206	495	28,60	17,50	CT1	594181
	31,80	20,70	CT1	524928	508	31,80	20,70	CT1	524587
298,40	28,60	17,50	CT1	593629	533	32	20,90	CT1	594241
305	31,80	20,70	CT1	524208	546	31,80	20,70	CT1	524599
	38,10	27	CT1	525582		95,30	84,20	CT4	526741
330	28,60	17,50	CT1	524209	554	31,80	20,70	CT1	524210
	38,10	27	CT1	523587	557	28,60	17,50	CT1	524211
350,80	38,10	27	CT1	594110	559	31,80	20,70	CT1	524347
355,60	38,10	27	CT1	530733	571,50	31,80	20,70	CT1	524212
	34,90	23,80	CT1	593037	578	31,80	20,70	CT1	524212
380	38,10	27	CT1	593171		34,90	23,80	CT1	524657

Dimensions		Seal fitted width B ₁	Seal seat width b ₁	Design	Designation	Dimensions		Seal fitted width B ₁	Seal seat width b ₁	Design	Designation
Seal seat diameter d ₁	mm					Seal seat diameter d ₁	mm				
	mm			-	-		mm			-	-
594		34,90	23,80	CT1	525627	876		38,10	27	CT1	523063
595		28,60	17,50	CT1	525031	889		31,80	20,70	CT1	524220
597		34,90	23,80	CT1	524364	900		31,80	20,70	CT1	524221
600		30	18,90	CT1	594431	902		38,10	27	CT1	524222
603		31,80 34,90 46	20,70 23,80 34,90	CT1 CT1 CT4	524365 523184 528651	914		28,60 30,20 38,10	17,50 19,10 27	CT1 CT1 CT1	528416 524223 524224
603,30		34,90 46	23,80 34,90	CT1 CT4	525637 528267	914,40		28,60 31,80	17,50 20,70	CT1 CT1	593606 530466
616		47,60	36,50	CT4	529276	929		28,60 75,20	17,50 64,10	CT1 CT4	593285 594202
629		31,80	20,70	CT1	524213	937		34,90	23,80	CT1	523154
638		34,90	23,80	CT1	524214	940		38,10	27	CT1	525320
655		40	28,90	CT4	594784	943		31,80	20,70	CT1	524768
660		34,90	23,80	CT1	524591	946		31,80	20,70	CT1	524368
684		28,60 73	17,50 61,90	CT1 CT4	524215 593604	949		31,80	20,70	CT1	526246
692		34,90	23,80	CT1	524592	952		31,80	20,70	CT1	526582
705		34,90 60,30	23,80 49,20	CT1 CT4	524216 528268	962		31,80	20,70	CT1	524225
711		31,80	20,70	CT1	527232	965		31,80	20,70	CT1	524226
732		28,60	17,50	CT1	525032	1 003		28,60 31,80	17,50 20,70	CT1 CT1	529452 526806
737		38,10 44,50	27 33,40	CT1 CT4	524940 528269	1 013		34,90 36,50	23,80 25,40	CT1 CT1	523584 529379
746		38,10 39,70	27 28,60	CT1 CT4	524853 528270	1 016		36,50 38,10	25,40 27	CT1 CT1	525035 527903
755		34,90 38,10	23,80 27	CT1 CT1	524217 524218	1 018		54,80	43,70	CT4	530396
755,70		38,10	27	CT1	524973	1 022		31,80	20,70	CT1	525426
764		28,60	17,50	CT1	525033	1 029		38,10	27	CT1	528532
787		31,80	20,70	CT1	525212	1 038		38,10	27	CT1	525633
800		31,80	20,70	CT1	528210	1 041		38,10	27	CT1	524227
806		31,80	20,70	CT1	526715	1 045		38,10	27	CT1	525036
818		31,80	20,70	CT1	525034	1 051		33,40	22,30	CT1	530448
819,20		31,80	20,70	CT1	524294	1 054		31,80 38,10	20,70 27	CT1 CT1	527474 524228
822,30		31,80	20,70	CT1	593949	1 064		41,30	30,20	CT4	528272
825		28,60 31,80	17,50 20,70	CT1 CT1	594785 524367	1 066		63,50	52,40	CT4	528271
840		31,80	20,70	CT1	526867	1 066,90		38,10	27	CT4	594494
856		31,80	20,70	CT1	524219	1 080		28,60	17,50	CT1	523133

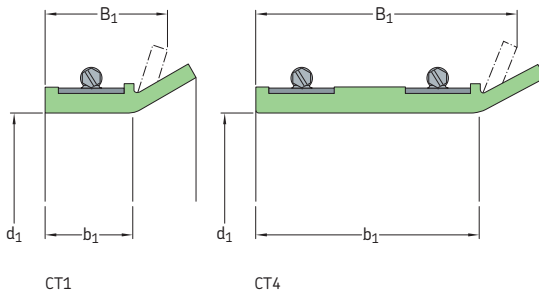
Axial clamp seals – CT1 and CT4 – metric dimensions (converted from inch dimensions)
 d_1 **1 101,70 – 4 142 mm**



See **table 1, page 473** for application tolerances.

Dimensions			Design	Designation	Dimensions			Design	Designation
Seal seat diameter d_1	Seal fitted width B_1	Seal seat width b_1			Seal seat diameter d_1	Seal fitted width B_1	Seal seat width b_1		
mm			-	-	mm			-	-
1 101,70	31,80	20,70	CT1	524909	1 321	38,10	27	CT1	528927
1 105	38,10	27	CT1	524369	1 346	31,80	20,70	CT1	528526
1 118	31,80	20,70	CT1	524370	1 397	31,80	20,70	CT1	526807
	34,90	23,80	CT1	528415					
	38,10	27	CT1	524229					
	38,10	27	CT1	593180					
	44,50	33,40	CT4	528002					
	44,50	33,40	CT4	528273	1 448	31,80	20,70	CT1	528525
1 140	38,10	27	CT1	522676	1 497,60	41,30	30,20	CT4	594163
					1 613	31,80	20,70	CT1	526808
1 181	31,80	20,70	CT1	529086	1 721	31,80	20,70	CT1	528975
1 193,80	38,10	27	CT1	527211	1 778	31,80	20,70	CT1	526809
					1 803	31,80	20,70	CT1	524373
1 206	31,80	27	CT1	525091	1 854	38,10	27	CT1	531456
	34,90	23,80	CT1	526021	1 924	31,80	20,70	CT1	525092
	38,10	27	CT1	524230					
1 206,50	30,20	19,10	CT1	530606	1 968	31,80	20,70	CT1	529517
1 210	38,10	27	CT1	522677	2 540	38,10	27	CT1	522856
1 225	38,10	27	CT1	524231	2 616	31,80	20,70	CT1	594083
1 241	38,10	27	CT1	524371	4 142	31,80	20,70	CT1	594682
1 245	31,80	20,70	CT1	522828					
1 270	34,90	23,80	CT1	529129					
1 286	31,80	20,70	CT1	525953					
1 302	34,90	23,80	CT1	529130					
1 308	31,80	20,70	CT1	524372					
	34,90	23,80	CT1	530661					
	38,10	27	CT1	524232					

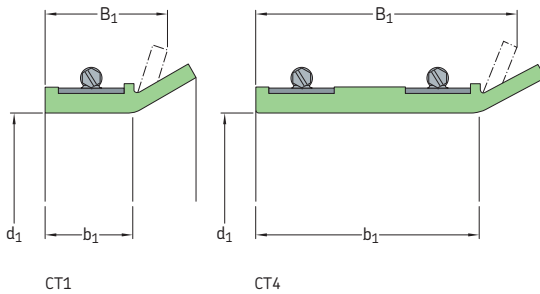
Axial clamp seals – CT1 and CT4 – inch dimensions
 d_1 6.614 – 29.016 in.



See table 1, page 473 for application tolerances.

Dimensions			Design	Designation	Dimensions			Design	Designation
Seal seat diameter d_1	Seal fitted width B_1	Seal seat width b_1			Seal seat diameter d_1	Seal fitted width B_1	Seal seat width b_1		
in.			–	–	in.			–	–
6.614	1.126	0.689	CT1	594334	18.504	1.126	0.689	CT1	525708
6.626	1.126	0.689	CT1	529489	18.504	1.252	0.815	CT1	526192
7.008	1.500	1.063	CT1	523586	19.488	1.126	0.689	CT1	594181
7.284	1.181	0.744	CT1	593637	20.000	1.252	0.815	CT1	524587
8.252	1.126	0.689	CT1	527820	20.984	1.260	0.823	CT1	594241
8.622	1.126	0.689	CT1	529490	21.496	1.252	0.815	CT1	524599
8.937	1.126	0.689	CT1	531635	21.496	3.752	3.315	CT4	526741
9.000	1.126	0.689	CT1	524204	21.811	1.252	0.815	CT1	524210
9.000	1.126	0.689	CT1	527819	21.929	1.126	0.689	CT1	524211
9.016	1.142	0.705	CT1	528631	22.008	1.252	0.815	CT1	524347
10.000	1.126	0.689	CT1	524205	22.500	1.252	0.815	CT1	524212
10.000	1.126	0.689	CT1	527806	22.756	1.374	0.937	CT1	524657
10.748	1.126	0.689	CT1	594369	23.386	1.374	0.937	CT1	525627
11.024	1.126	0.689	CT1	524206	23.426	1.126	0.689	CT1	525031
11.024	1.252	0.815	CT1	524928	23.504	1.374	0.937	CT1	524364
11.748	1.126	0.689	CT1	593629	23.622	1.181	0.744	CT1	594431
12.008	1.252	0.815	CT1	524208	23.740	1.252	0.815	CT1	524365
12.008	1.500	1.063	CT1	525582	23.740	1.374	0.937	CT1	523184
12.992	1.126	0.689	CT1	524209	23.740	1.811	1.374	CT4	528651
12.992	1.500	1.063	CT1	523587	23.752	1.374	0.937	CT1	525637
13.811	1.500	1.063	CT1	594110	23.752	1.811	1.374	CT4	528267
14.000	1.500	1.063	CT1	530733	24.252	1.874	1.437	CT4	529276
14.000	1.374	0.937	CT1	593037	24.764	1.252	0.815	CT1	524213
14.961	1.500	1.063	CT1	593171	25.118	1.374	0.937	CT1	524214
15.000	1.126	0.689	CT1	594025	25.787	1.575	1.138	CT4	594784
15.236	1.126	0.689	CT1	594954	25.984	1.374	0.937	CT1	524591
16.142	0.937	0.500	CT1	595110	26.929	1.126	0.689	CT1	524215
16.260	3.500	3.063	CT4	592934	26.929	2.874	2.437	CT4	593604
16.732	1.252	0.815	CT1	523826	27.244	1.374	0.937	CT1	524592
16.732	1.315	0.878	CT1	524815	27.756	1.374	0.937	CT1	524216
17.008	1.500	1.063	CT1	528535	27.756	2.374	1.937	CT4	528268
17.500	1.374	0.937	CT1	525737	27.992	1.252	0.815	CT1	527232
17.520	1.252	0.815	CT1	526799	28.819	1.126	0.689	CT1	525032
17.520	1.374	0.937	CT1	523547	29.016	1.500	1.063	CT1	524940
17.689	3.752	3.315	CT4	528070	29.016	1.752	1.315	CT4	528269

Axial clamp seals – CT1 and CT4 – inch dimensions
 d_1 29.370 – 163.071 in.



See table 1, page 473 for application tolerances.

Dimensions				Design	Designation	Dimensions				
Seal seat diameter d_1	Seal fitted width B_1	Seal seat width b_1				Seal seat diameter d_1	Seal fitted width B_1	Seal seat width b_1	Design	Designation
in.				–	–	in.			–	–
29.370	1.500	1.063	CT1	524853	39.488	1.126	0.689	CT1	529452	
29.370	1.563	1.126	CT4	528270	39.488	1.252	0.815	CT1	526806	
29.724	1.374	0.937	CT1	524217	39.882	1.374	0.937	CT1	523584	
29.724	1.500	1.063	CT1	524218	39.882	1.437	1.000	CT1	529379	
29.752	1.500	1.063	CT1	524973	40.000	1.437	1.000	CT1	525035	
30.079	1.126	0.689	CT1	525033	40.000	1.500	1.063	CT1	527903	
30.984	1.252	0.815	CT1	525212	40.079	2.156	1.721	CT4	530396	
31.496	1.252	0.815	CT1	528210	40.236	1.252	0.815	CT1	525426	
31.732	1.252	0.815	CT1	526715	40.512	1.500	1.063	CT1	528532	
32.205	1.252	0.815	CT1	525034	40.866	1.500	1.063	CT1	525633	
32.252	1.252	0.815	CT1	524294	40.984	1.500	1.063	CT1	524227	
32.374	1.252	0.815	CT1	593949	41.142	1.500	1.063	CT1	525036	
32.480	1.126	0.689	CT1	594785	41.378	1.315	0.878	CT1	530448	
32.480	1.252	0.815	CT1	524367	41.496	1.252	0.815	CT1	527474	
33.071	1.252	0.815	CT1	526867	41.496	1.500	1.063	CT1	524228	
33.701	1.252	0.815	CT1	524219	41.890	1.626	1.189	CT4	528272	
34.488	1.500	1.063	CT1	523063	41.968	2.500	2.063	CT4	528271	
35.000	1.252	0.815	CT1	524220	42.004	1.500	1.063	CT4	594494	
35.433	1.252	0.815	CT1	524221	42.520	1.126	0.689	CT1	523133	
35.512	1.500	1.063	CT1	524222	43.374	1.252	0.815	CT1	524909	
35.984	1.126	0.689	CT1	528416	43.504	1.500	1.063	CT1	524369	
35.984	1.189	0.752	CT1	524223	44.016	1.252	0.815	CT1	524370	
35.984	1.500	1.063	CT1	524224	44.016	1.374	0.937	CT1	528415	
36.000	1.126	0.689	CT1	593606	44.016	1.500	1.063	CT1	524229	
36.000	1.252	0.815	CT1	530466	44.016	1.500	1.063	CT1	593180	
36.575	1.126	0.689	CT1	593285	44.016	1.752	1.315	CT4	528002	
36.575	2.961	2.524	CT4	594202	44.016	1.752	1.315	CT4	528273	
36.890	1.374	0.937	CT1	523154	44.882	1.500	1.063	CT1	522676	
37.008	1.252	0.815	CT1	526246	46.496	1.252	0.815	CT1	529086	
37.008	1.500	1.063	CT1	525320	47.000	1.500	1.063	CT1	527211	
37.126	1.252	0.815	CT1	524768	47.480	1.252	1.063	CT1	525091	
37.244	1.252	0.815	CT1	524368	47.480	1.374	0.937	CT1	526021	
37.480	1.252	0.815	CT1	526582	47.480	1.500	1.063	CT1	524230	
37.874	1.252	0.815	CT1	524225	47.500	1.189	0.752	CT1	530606	
37.992	1.252	0.815	CT1	524226	47.638	1.500	1.063	CT1	522677	

Dimensions			Design	Designation
Seal seat diameter d_1	Seal fitted width B_1	Seal seat width b_1		
in.			-	-
48.228	1.500	1.063	CT1	524231
48.858	1.500	1.063	CT1	524371
49.016	1.252	0.815	CT1	522828
50.000	1.374	0.937	CT1	529129
50.630	1.252	0.815	CT1	525953
51.260	1.374	0.937	CT1	529130
51.496	1.252	0.815	CT1	524372
51.496	1.374	0.937	CT1	530661
51.496	1.500	1.063	CT1	524232
52.008	1.500	1.063	CT1	528927
52.992	1.252	0.815	CT1	528526
55.000	1.252	0.815	CT1	526807
57.008	1.252	0.815	CT1	528525
58.606	1.626	1.189	CT4	594163
63.504	1.252	0.815	CT1	526808
67.756	1.252	0.815	CT1	528975
70.000	1.252	0.815	CT1	526809
70.984	1.252	0.815	CT1	524373
72.992	1.500	1.063	CT1	531456
75.748	1.252	0.815	CT1	525092
77.480	1.252	0.815	CT1	529517
100.00	1.500	1.063	CT1	522856
102.992	1.252	0.815	CT1	594083
163.071	1.252	0.815	CT1	594082
163.071	1.252	0.815	CT1	594082

Product index

Design	Product group	Product table	Page
CRS1	Radial shaft seal	2.5	167
CRSA1	Radial shaft seal	2.5	167
CRSH1	Radial shaft seal	2.5	167
CRSHA1	Radial shaft seal	2.5	168
CRW1	Radial shaft seal	2.2	105
CRW5	Radial shaft seal	2.3	161
CRWA1	Radial shaft seal	2.2	105
CRWA5	Radial shaft seal	2.3	161
CRWH1	Radial shaft seal	2.2	113
CRWHA1	Radial shaft seal	2.2	113
CT1	Axial clamp seal	8.1	468
CT4	Axial clamp seal	8.1	468
DL	Radial shaft seal	*	174
DLA	Radial shaft seal	*	174
HDDF	Metal face seal	6.1	384
HDL	Radial shaft seal	2.10	226
HDS1	Radial shaft seal	2.11	242
HDS1K	Radial shaft seal	2.12	258
HDS2K	Radial shaft seal	2.13	260
HDS2	Radial shaft seal	2.11	242
HDS3	Radial shaft seal	2.11	243
HDS7	Radial shaft seal	2.8	216
HDS7K	Radial shaft seal	2.9	222
HDSA1	Radial shaft seal	2.15	264
HDSA2	Radial shaft seal	2.15	264
HDSB1	Radial shaft seal	2.15	264
HDSB2	Radial shaft seal	2.15	264
HDSD1	Radial shaft seal	2.17	272
HDSD2	Radial shaft seal	2.17	272
HDSE1	Radial shaft seal	2.16	270
HDSE2	Radial shaft seal	2.17	272
HDSF1	Radial shaft seal	2.14	263
HDSF2	Radial shaft seal	2.14	262
HDSF7	Radial shaft seal	2.14	262
HDSH7	Radial shaft seal	2.14	262
HDW1	Radial shaft seal	2.4	165
HM1	Radial shaft seal	2.6	179
HM102	Radial shaft seal	2.6	179
HM11	Radial shaft seal	2.6	187
HM12	Radial shaft seal	2.6	191
HM14	Radial shaft seal	2.6	179
HM18	Radial shaft seal	2.6	185
HM21	Radial shaft seal	2.6	183
HM3	Radial shaft seal	2.6	179
HM4	Radial shaft seal	2.6	179
HM8	Radial shaft seal	2.6	182
HMA10	Radial shaft seal	2.6	179
HMA11	Radial shaft seal	2.6	186
HMA14	Radial shaft seal	2.6	182
HMA21	Radial shaft seal	2.6	191

* Product table not available. Contact SKF for more information.

Design	Product group	Product table	Page
HMA22	Radial shaft seal	2.6	181
HMA6	Radial shaft seal	2.6	183
HMA76	Radial shaft seal	2.6	180
HMA8	Radial shaft seal	2.6	181
HMA85	Radial shaft seal	2.6	181
HMA94	Radial shaft seal	2.6	189
HMA96	Radial shaft seal	2.6	191
HMS5	Radial shaft seal	2.1	94
HMSA10	Radial shaft seal	2.1	94
HS4	Radial shaft seal	2.24	302
HS5	Radial shaft seal	2.24	302
HS6	Radial shaft seal	2.25	306
HS7	Radial shaft seal	2.25	306
HS8	Radial shaft seal	2.25	306
HSF1	Radial shaft seal	2.19	276
HSF2	Radial shaft seal	2.20	290
HSF3	Radial shaft seal	2.21	292
HSF4	Radial shaft seal	2.22	298
HSF5	Radial shaft seal	2.19	276
HSF6	Radial shaft seal	2.20	290
HSF7	Radial shaft seal	2.21	292
HSF8	Radial shaft seal	2.22	298
HSF9	Radial shaft seal	2.23	300
LDLVL3	Wear sleeve	4.2	360
LDLVL4	Wear sleeve	4.2	360
MUD1	Cassette seal	*	322
MUD2	Cassette seal	*	322
MUD3	Cassette seal	*	322
MUD4	Cassette seal	*	322
MUD5	Cassette seal	*	322
MUD6	Cassette seal	*	322
MUD7	Cassette seal	*	322
MVR1	V-ring seal	7.3	466
MVR2	V-ring seal	7.4	468
SBF	Radial shaft seal	2.18	282
SKF Speedi-Sleeve	Wear sleeve	4.1	342
SL	Radial shaft seal	*	174
SLA	Radial shaft seal	*	174
SLS	Radial shaft seal	*	174
SLX	Radial shaft seal	*	174
TL1	Radial shaft seal	2.6	190
TL4	Radial shaft seal	2.6	190
TL5	Radial shaft seal	2.6	190
TL6	Radial shaft seal	2.6	192
TL7	Radial shaft seal	2.6	187
TL8	Radial shaft seal	2.6	186
TP	Track pin seal	5.1	376
TPM	Track pin seal	5.1	376
VR1	V-ring seal	7.1	400
VR2	V-ring seal	7.1	400
VR3	V-ring seal	7.1	403
VR4	V-ring seal	7.1	405
VR6	V-ring seal	7.1	405
VA	V-ring seal	7.2	428
VE	V-ring seal	7.2	433
VL	V-ring seal	7.2	431
VS	V-ring seal	7.2	428
VRME	V-ring seal	7.2	433
X1	Radial shaft seal	2.7	193
X12	Radial shaft seal	2.7	193
X13	Radial shaft seal	2.7	193
X14	Radial shaft seal	2.7	194
X15	Radial shaft seal	2.7	193
X2	Radial shaft seal	2.7	193

* Product table not available. Contact SKF for more information.

Design	Product group	Product table	Page
X4	Radial shaft seal	2.7	193
XH15	Radial shaft seal	2.7	193
YNSLE	Radial shaft seal	*	174
YSL	Radial shaft seal	*	174
YSLE	Radial shaft seal	*	174

* Product table not available. Contact SKF for more information.

