



HomeProSec

Hotel Lock



Khóa Khách Sạn





Hotel lock system description:

Hotel lock system is an IC card system. Hotel door lock circuit boards are divided into T57 and M1 cards depending on the IC card used.

T5557 card is contactless, cheap and reliable. M1 card is contactless, cheap, realizable, and all-purpose card. (integrated with other system)

Each lock will be assigned to a room number, which match to the real room number. When guest walk in, the receptionist will issue a card to him, stated his stay room and period. He will take the card to active the elevator, public doors, unlock the room door, and insert into the energy saving switch to gain power to the lamps and other devices.

When the guest goes to the guest free area, like gym, meeting room, he can use the same room card to access. (Only for M1 card lock.)

The software can be installed in one or more computers in the reception front desk, linked to one encoder, share database.

125khz T5557 card chip



Features:

- Non-contact, Low cost

Parameters:

Card type:	T5557 card
Card detect way:	Microwave detect, Reliable and advanced
Power supply:	DC4.5V-6.5V, 4pcs AA batteries
Static current:	< 30μA
Working current:	<145μA
Low voltage alarm:	Support
Card read distance:	>30mm
Door opening logs:	200pcs

13.56mhz Mifare card chip



Features:

- Non-contact, high security, All-in-one card

Parameters:

Card type:	Mifare 1 S50 card
Card detect way:	Microwave detect, Reliable and advanced
Power supply:	DC4.5V-6.5V, 4pcs AA batteries
Static current:	< 30μA
Working current:	<145μA
Low voltage alarm:	Support
Card read distance:	10-50mm
Door opening logs:	1000pcs

Card encoder



Features:

- Work with hotel software to program cards;
- Read card information;
- Read/ write handset PDA;
- Connect to PC via USB;
- No drive design;

Parameters:

	T57 card encoder	M1 card encoder
Power supply:	USB cable	USB cable
Current:	120mA	100mA
Support lock type	T57 card lock	M1 card lock
Frequency	125khz	13.56mhz
Size	125*100*30mm	125*100*30mm
Environment	Working temperature: -10~70 °C Storage temperature: -25~125°C Humidity: 5%~95%RH	

Handset PDA



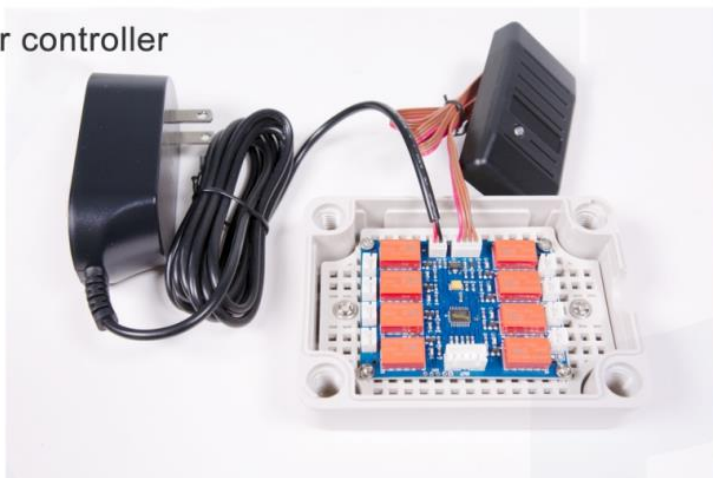
Features:

- One-stop guest room installation solution;
- Proofreading time fast and accurately;
- Facilitate system diagnosis and maintenance;
- Conveniently view card information (Only for M1 card);
- Support the function of making guest card (Only for M1 card);
- Easily download door opening records;
- Quick check-out operation;
- Support door lock firmware upgrade;

Parameters:

Working voltage	3.0V (2pcs AA batteries)
Static current:	< 10μA
Working current:	<1100mA
Support lock type:	T5557 card/ M1 card lock
Size:	177.6*85*30mm
Environment:	Working temperature: -10~70 °C Storage temperature: -25~125°C Humidity: 5%~95%RH

Elevator controller



MEVC/ TEVC elevator controller, is specially developed for the hotel door locks system, It can directly use the cards issued by the hotel door lock management software, used to the control the elevator floor switches, which facilitates the hotel to improve safety management.

Features:

- Support T5557 card, Mifare card;
- 20-50mm read card distance;
- Use the hotel lock card directly;
- Working mode: floor control;
- Support the public floor, and set limited time use;
- Support to set the guest cards limited time use;
- Guest cards max support 8 floors (MEVA, 4 different floors+ 4 optional floors);
- Support store and download opening records, MEVC lock support 990pcs,
- TEVC support 200pcs;
- Working mode switch: Change the elevator to keyless and swipe card mode freely;

Parameters:

Power supply:	12V DC
Current consumption:	1000mA
Card type:	T5557 card (TEVC), Mifare card (MEVC)
Read card distance:	10-50mm
Input	No
Output:	8 floors or 16 floors each board

Public door access reader



Description:

MEVC/ TEVC public door access reader is specially developed for the hotel door locks system,

It can directly use the cards issued by the hotel door lock management software, used to the control the public doors, like gate door, which facilitates the hotel to improve safety management.

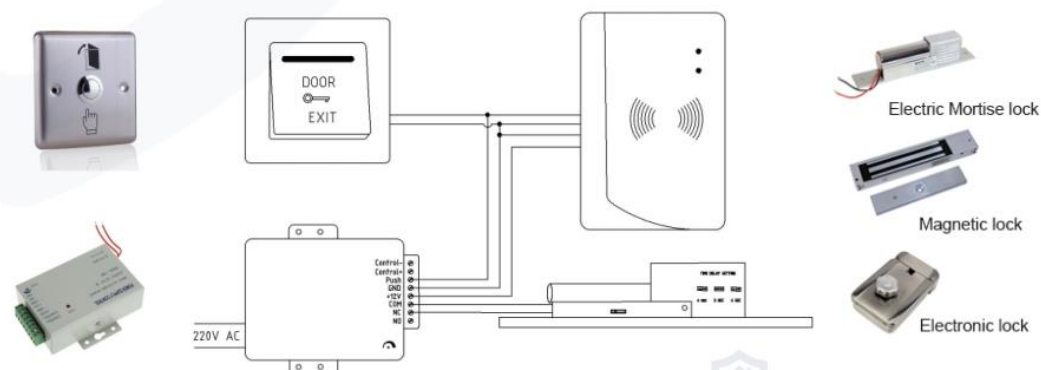
Features:

- Support T5557 card, Mifare card;
- 20-50mm read card distance;
- Use the hotel lock card directly;
- Work with electric bolt lock, magnetic lock,
- 12V electric lock;
- With 1 Signal to Exit Button;
- Support download the door opening logs;
- Easy to connect;

Parameters:

Power supply:	12V DC
Current consumption:	1000mA
Card type:	T5557 card (TEVC), Mifare card (MEVC)
Read card distance:	10-50mm
Store door opening logs:	2000pcs

Door access reader connection system



Energy saver It is a device used to control the electricity in hotel rooms, which makes hotel electricity control smarter and more energy-efficient



Universal Energy Saver

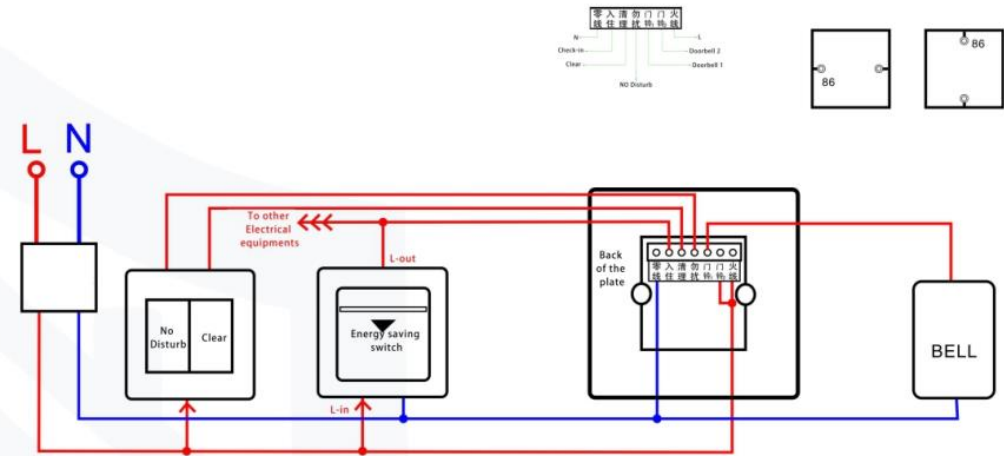
The universal energy saver can work with any T5557 card, ID card or M1 card.

Parameters:

Working current:	110/ 220V AC, 50Hz/ 60Hz
Rated Load:	8800W
Delay time:	8-12s
Card type:	T5557 card, ID card, M1 card
Current:	40A/ 60A
Working temperature:	0 ~ 50°C
Size:	86*86*46mm



Energy saving switch and door plate connection system



Special Energy Saver

The special energy saver need to work with the hotel lock software to achieve the function of room number control and time control.

Room number control: only matched room card can work
Time control: Automatically power off when check-out time is up



Parameters:

Working current:	110/ 220V AC, 50Hz/ 60Hz
Rated Load:	8800W
Delay time:	8-12s
Card type:	T5557 card, M1 card
Current:	40A/ 60A
Working temperature:	0 ~ 50°C
Size:	86*86*46mm



- With the LED number on the plate, it can help the guest quickly find his room;
- When the guest put the room card into the energy saving switch, the "Check-in" button will light up;
- When the guest need to sleep, touch the "No disturb" button inside, the "No Disturb" button will light up, and the bell will not ring if someone press the doorbell
- When the guest want to clear the room, touch "Please clear" button inside, the "Clean up" button will light up. Then the Cleaner can clean the room in time.



White IC cards

The card chip is 125khz T5557 card or 13.56mhz Mifare card;
 Encrypted cards prevent card copying and abuse, and prevent copying cards from opening the door.
 White cards are in stock.



Hotel Lock Management Software

- Software interface, logo can be modified;
- With language editor, change software language easily;
- Encrypted cards, refuse copy cards to unlock door;
- Set the lock unlock sound: Didi, music, soundless, etc;



Printing IC cards

Welcome to print cards, MOQ is 200pcs;
 Please do the design then send us;
 Normally 7 days to print cards;



Silicone wristband

The card chip can be 125khz temic card
 or 13.56mhz mifare card

Blue keyfob tag

The card chip can be 125khz temic card
 or 13.56mhz mifare card



H118E01



H118E01



H118E03



H118E03



H118E05



H118E05



H118E05



H118E02



H118E02



H118E11



H118E07



H118E07



H118E07



H118E09



H118E09



H118E10



H118E10



H118E15



H118E15



H118E15



H618E01



H618E01



H618E01



H1008E01



H1008E01



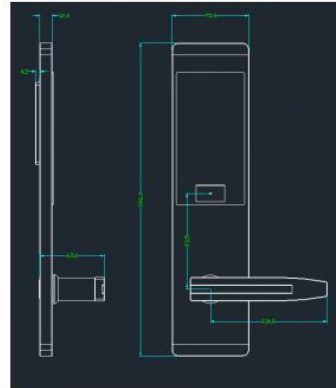
H1008E01



H2020E01



H2020E01



H2023E01



H2023E01



H2023E01



H2026E01



H2026E01



H2026E01



H2027E01



H2027E01



Back



H2023E02



H2023E02



H2036E01



H2036E02



#4 Mortise



H2029E01



H2029E01



H2029E01



H2036E02



H2036E02



H2030E01



H2030E01



#3 Mortise



H2039E01



H2039E01

HPS



Back



H2056E01



H2056E01



HDSR902



HDSR902



HDSR902



Back



H2060E01



H2060E01



HDSR903E01



HDSR903E01



HDSR904



Back



H2062E01



H2062E01



HDSR903E02



HDSR903E02



HDSR903E02



HDSR905



HDSR911



HDSR911



HDSR906



HDSR906



HDSR906



HDSR913



HDSR913



HDSR909



HDSR909



HDSR914



HDSR914



HDSR914



HDSR912



HDSR912



HDSR912



HDSR915



HDSR915



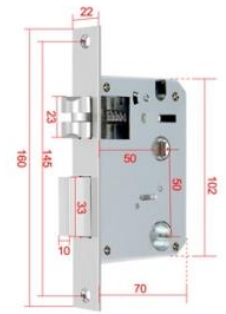
HDSR930



HDSR918



HDSR918



5050 mortise



H1058E02



H1058E02



60/70mm mortise (Adjustable)



EU06E01



EU06E02



JCEU06E03



HDSR921



HDSR921



60mm mortise



EU10 (304SS)



5572 mortise (Square) 235*22mm



5572 mortise (Round) 235*22mm



H1088E01



H1088E01



H1088E01



H2031E02



H2031E02



H2017E01



H2017E01



H2017E01



H2019E01



H2028E01



HDSR916



HDSR916



6068 mortise

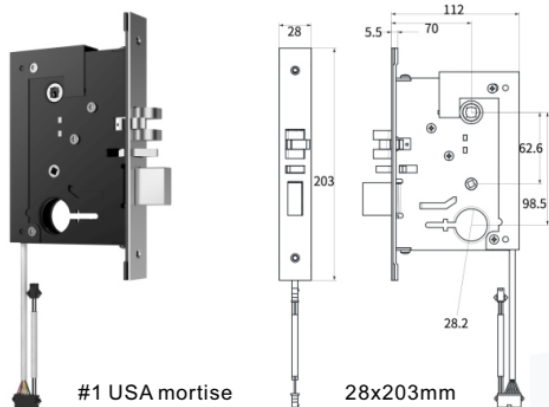


H2033E01



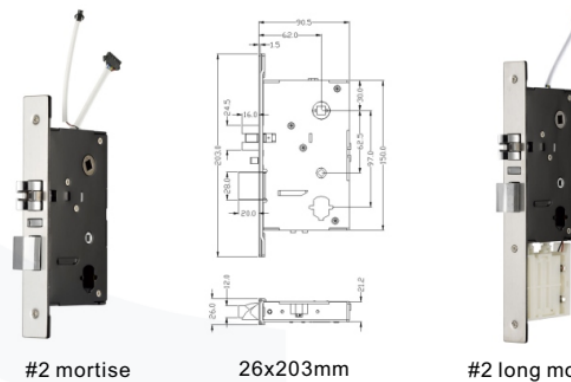
H2033E01

HPS



#1 USA mortise

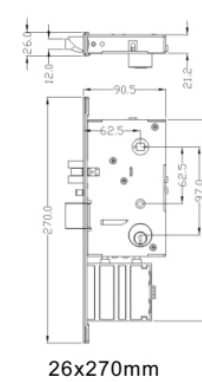
28x203mm



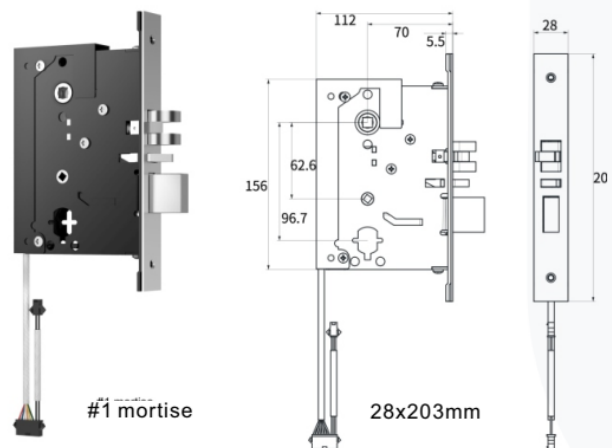
#2 mortise

26x203mm

#2 long mortise

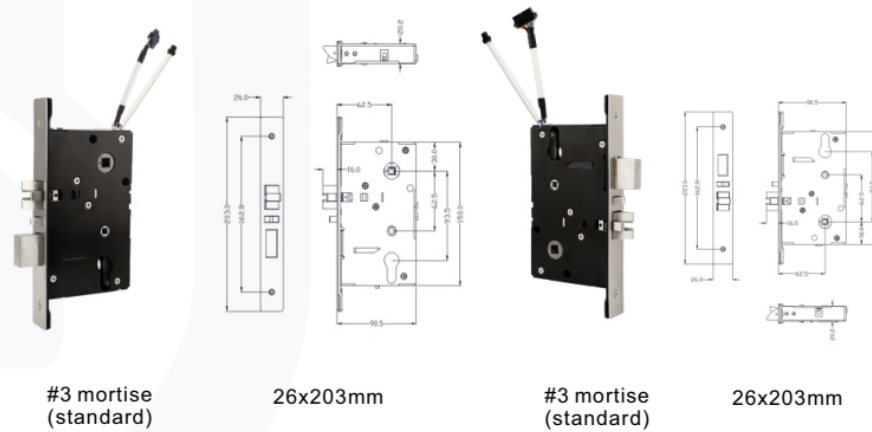


26x270mm



#1 mortise

28x203mm

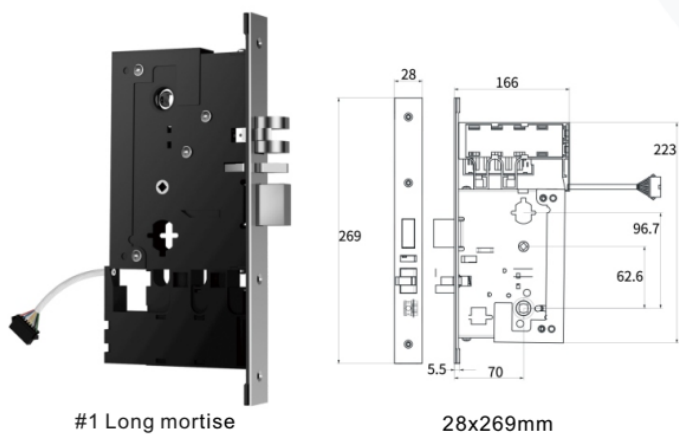


#3 mortise (standard)

26x203mm

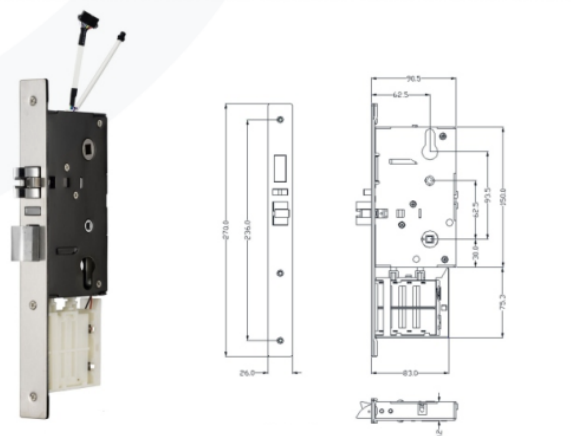
#3 mortise (standard)

26x203mm



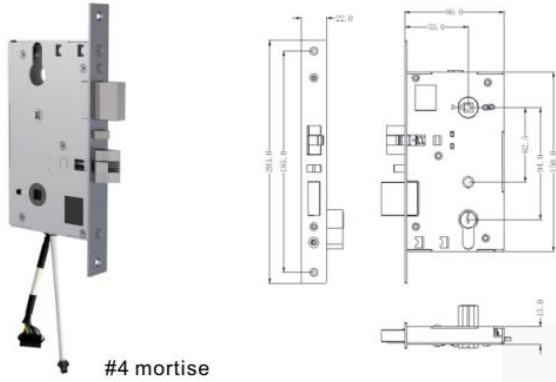
#1 Long mortise

28x269mm



#3 long mortise

26x270mm



#4 mortise

22x203mm



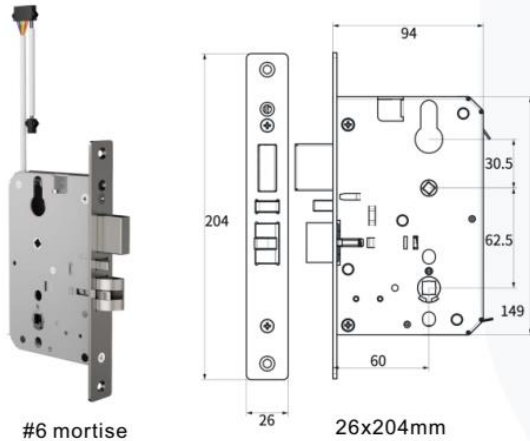
50mm



60mm



70mm



#6 mortise

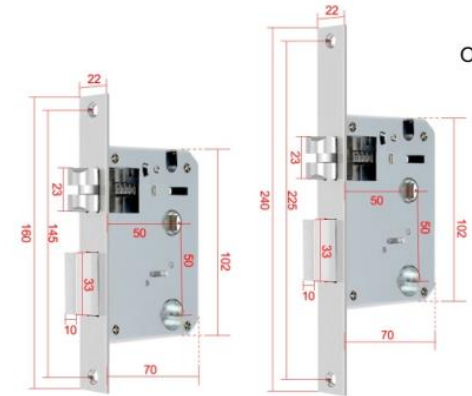
26x204mm

Handle up to deadbolt from outside;

Adjust the direction between inside and outside freely;

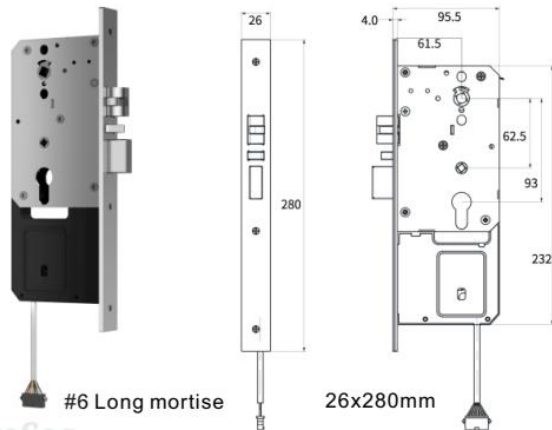


60/70mm adjustable single latch



5050 mortise

- Optional size:
- 22x125
 - 22x147
 - 22x156
 - 22x160
 - 22x165
 - 22x170
 - 22x175
 - 22x180
 - 22x190
 - 22x200
 - 22x220
 - 22x240



#6 Long mortise

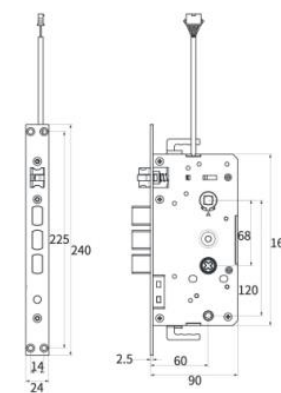
26x280mm

Handle up to deadbolt from outside;

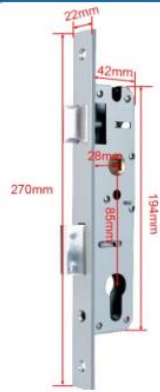
Adjust the direction between inside and outside freely;



6068 mortise
22x240mm



6068 mortise
30x240mm



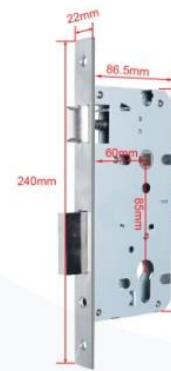
2885 mortise
(22x270)



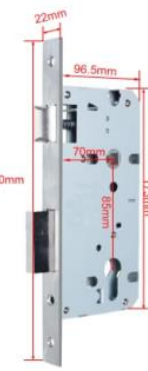
3085 mortise



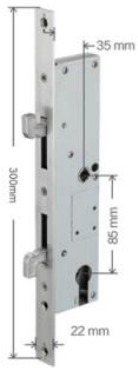
3585 mortise



6085 mortise

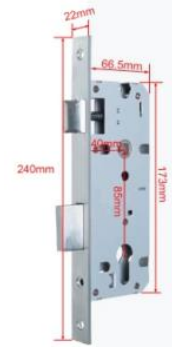


7085 mortise

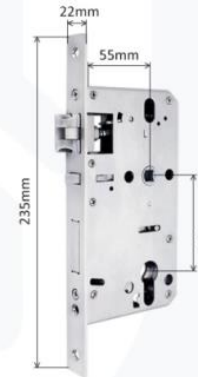


Mortise with hook

Optional size:
2885 (22x270)
3585 (22x300)
4585 (22x330)



4085 mortise



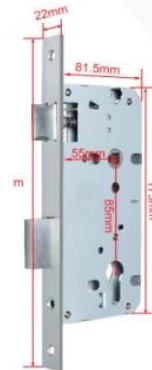
5572 mortise
22x235



4585 mortise



5085 mortise



5585 mortise



5572 mortise
20x235
(Round)



5572 mortise
22x235
(Round)