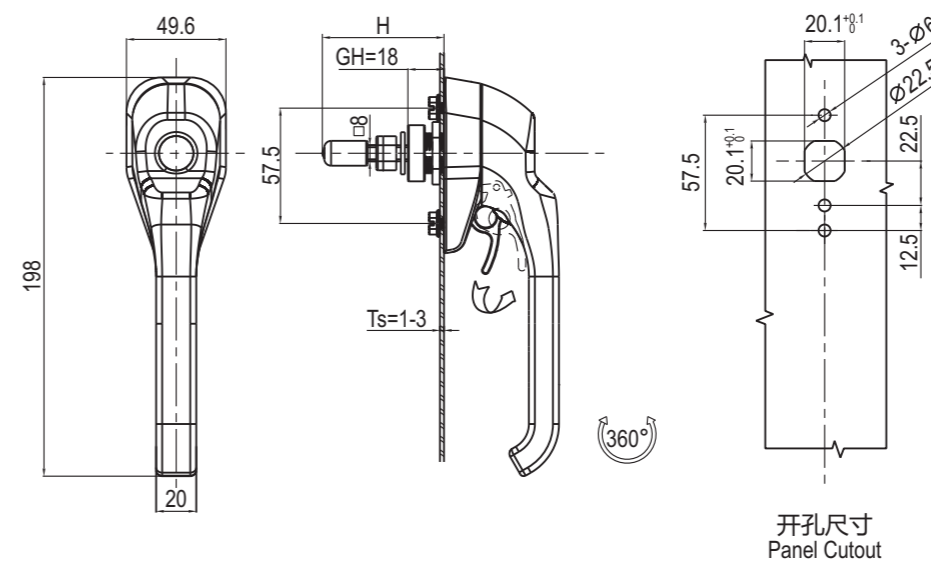
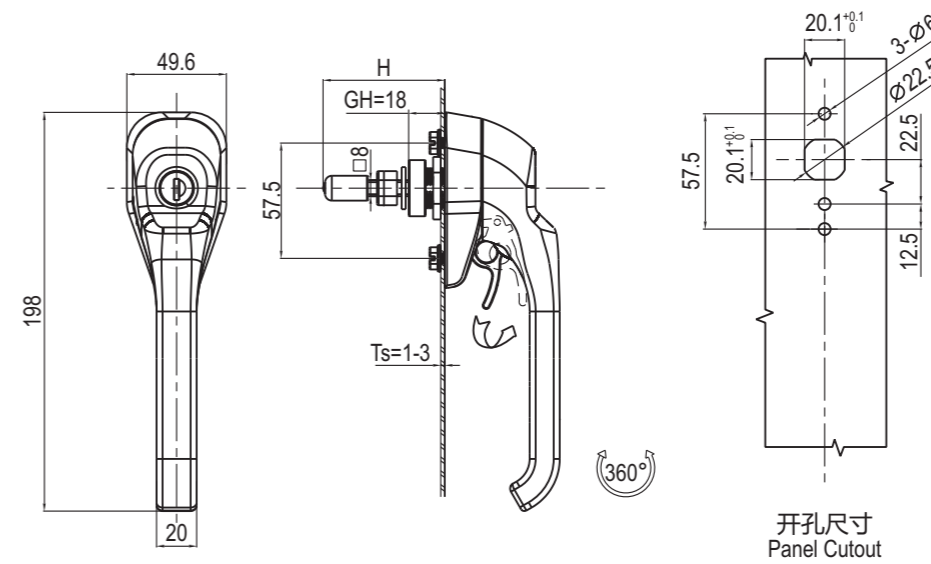


重型转动把手锁 Heavy duty swinghandle Lock

产品系列：1601

yeeka



锌合金锁体, 喷塑麻面黑
Zinc die, black textured powder coated

	麻面黑 Black Textured Powder Coated	不锈钢 316 SUS 316
YK333钥匙型 YK333 key locking	1601-110-20	1601-110-316
不带锁芯型 Non-locking	1601-100-20	1601-100-316
2X4直槽型 2X4 slot	1601-024-20	

可选配件 Accessories ref. to page #

1. 锁舌 见页面 9A-001
CAM ref. to page 9A-001

备注: Remark

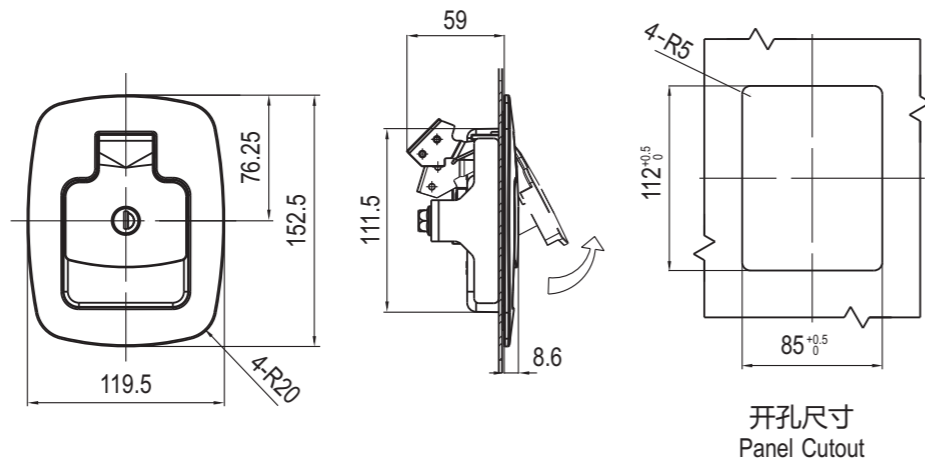
1. 专用钥匙可选 Key different on request.
2. CH751 钥匙可选, CH751 key code on request
3. 可配挂锁 Padlockable on request

目录
Index

锁具 Lock

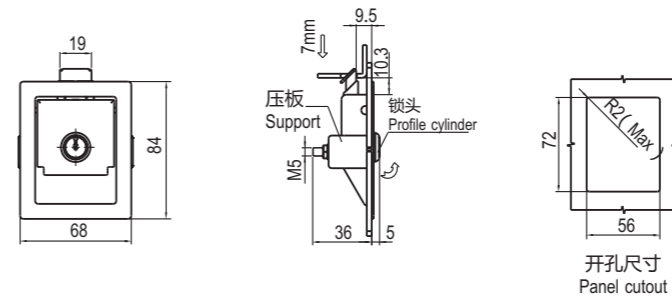
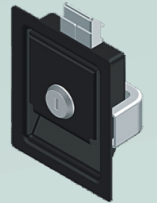
To get product 3D models freely, Please contact: info@yeekaco.com

1F-001



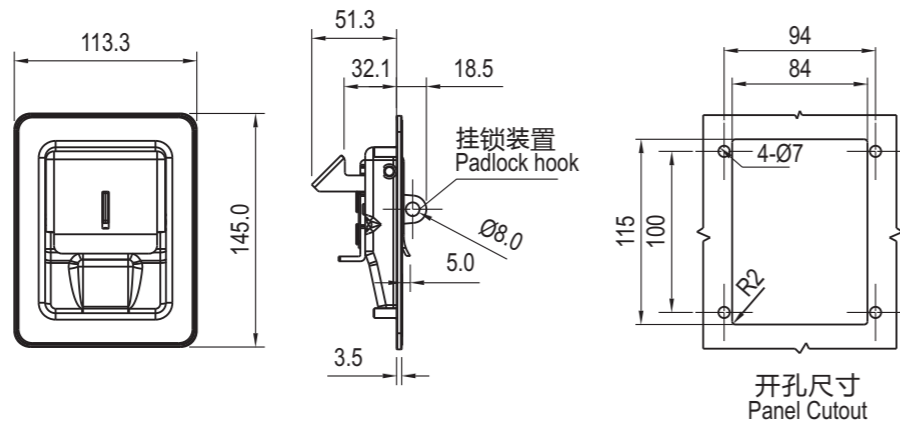
黑色塑料PA, 外壳, 手柄
Black PA plastic, housing, handel

带锁芯 Key Locking 1701-10-90



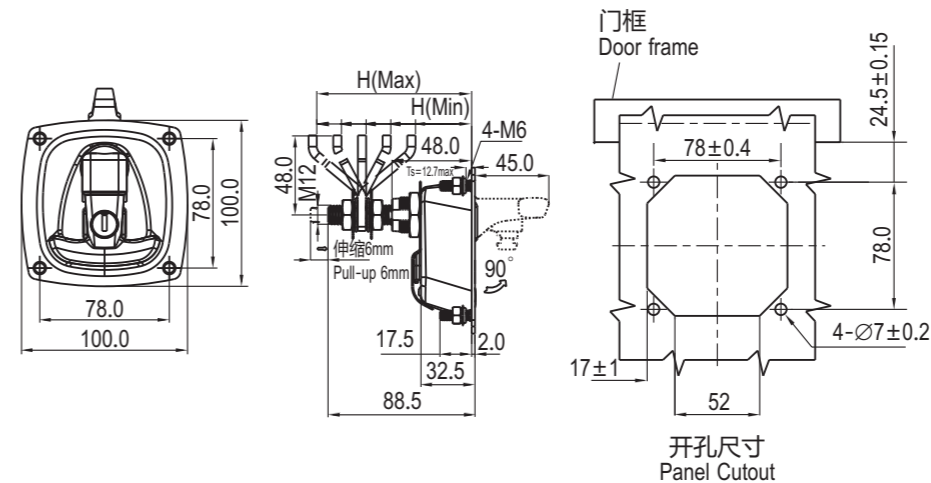
锁壳, 手柄, 压板, 铁喷漆或者不锈钢本色
Housing, Handle, support, steel, paint spraying or stainless steel, natural

	铁喷漆 Steel, Paint Spraying	不锈钢 304 SUS 304
带锁芯 With insert	1703-210-10	
不带锁芯 Without insert	1703-200-10	1703-200-304



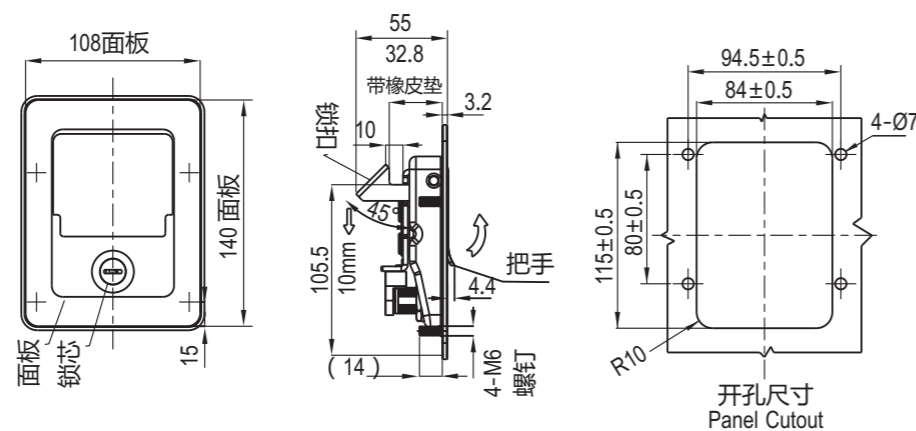
面板, 手柄, 挂锁, 铁, 无光黑, 滑动块, 锁舌, 铁镀锌
Paddle housing, handle, padlock hook m.s. black smooth powder coated, slide plate, cam, m.s. zinc plated

带挂 Padlockable 1702-00-10-P



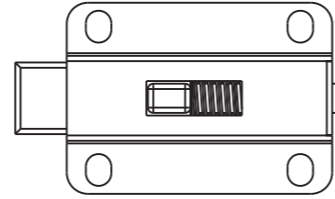
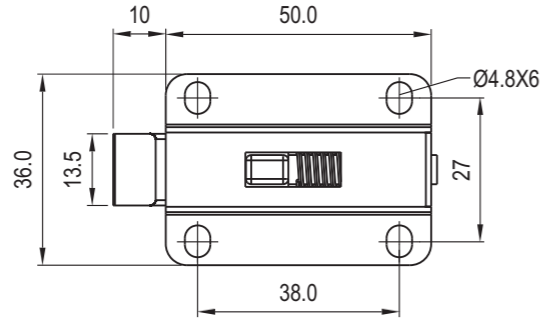
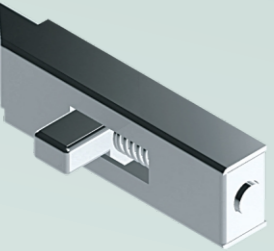
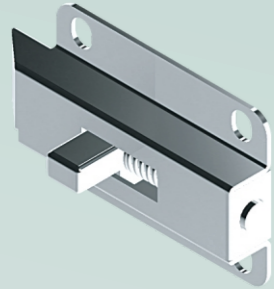
锁壳, 手柄, 压板, 铁喷漆或者不锈钢本色
Housing Handle, support, steel paint spraying or stainless steel natural

锁片款式 Camstyle	止口高度 Grip Range		带锁芯 Key Locking	不带锁芯 Non-locking
	最小 Min	最大 Max		
正向锁片 Reversed cam	28	43	1704-110-110	1704-100-110
	43	58	1704-110-310	1704-100-310
直立锁片 Straight cam	58	73	1704-110-210	1704-100-210
反向锁片 Offset cam	73	88	1704-110-310	1704-100-310
	88	104	1704-110-110	1704-100-110



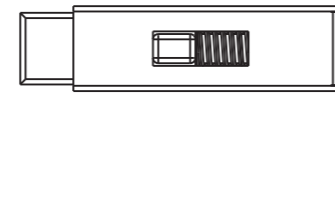
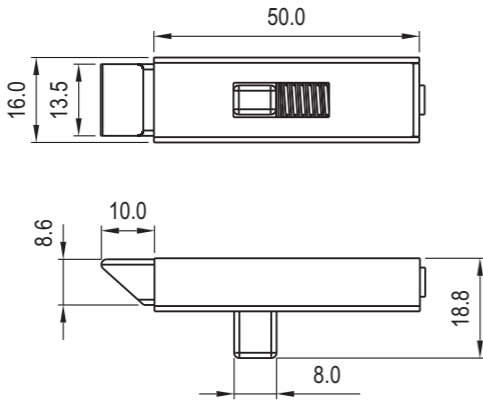
面板, 手柄: Q235, 电泳+无光黑, 滑动块, 锁舌; Q235, 三价彩锌, 铆钉, 销子; SUS304, 本色
Paddle housing, Handle; Q235, E-coated Black smooth powder coated, Slide plate, Cam; Q235, Bule white zinc plated, Rivet stud, Pin; SUS304, natural

1702-10A-10



螺钉固定011型
Screw on version-011

螺钉固定111型
Screw on version-111

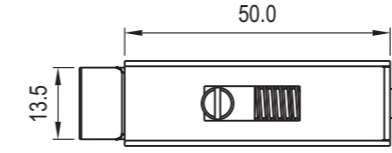


焊接固定012型
Weld on version-012

焊接固定112型
Weld on version-112

镀锌钢或钢碰锁，镀锌锌合金锁舌
Slam-lock m. s. zinc plated resp. m. s. raw, locking bolt zinc die zinc plated

	锌合金 Zinc Die	
螺丝固定型 Screw on version	1800-011-01	1800-111-01
焊接固定型 Weld on version	1800-012-01	1800-112-01



焊接固定211型
Weld on version-211

焊接固定212型
Weld on version-212

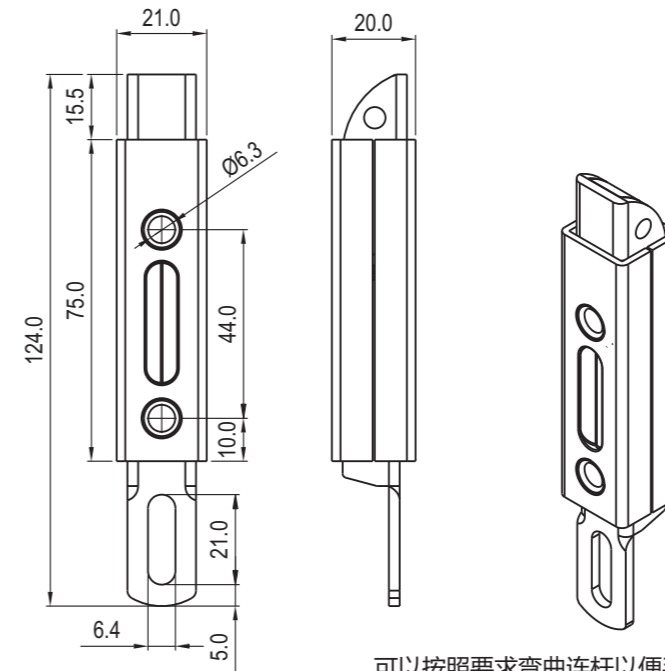
镀锌钢碰锁,镀锌锌合金锁舌
Slam-lock m.s. raw, locking bolt zinc die zinc plated

焊接时可拆开
Customer can unassemble for welding on

	锌合金 Zinc Die
螺丝固定型 Screw on version	1800-211-01
焊接固定型 Weld on version	1800-212-01



产品正在开发中
18年12月份开始供
Under development,
shall be available on
December, 2018.



可以按照要求弯曲连杆以便手动操作
Rod connection can be bent for hand-operation on request

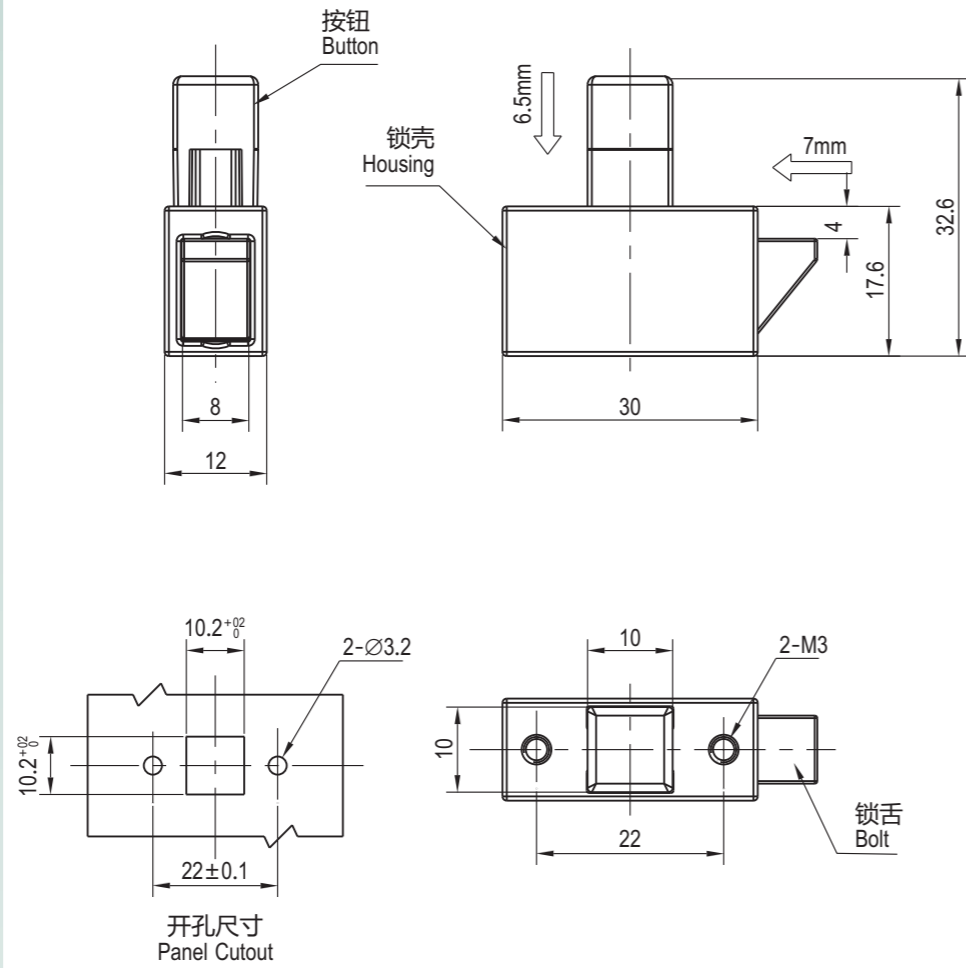
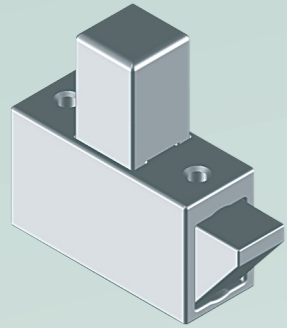
镀锌钢碰锁

Slam-lock m. s. zinc plated

铁镀锌 M.S.zinc plated	1801-011-01
---------------------	-------------



产品正在开发中
18年12月份开始供
Under development,
shall be available on
December, 2018.



锌合金，不锈钢弹簧和销子，表面可做镀镍
Zinc die, SUS spring and pin, nickel plated

锌合金 Zinc Die

1802-011-80

