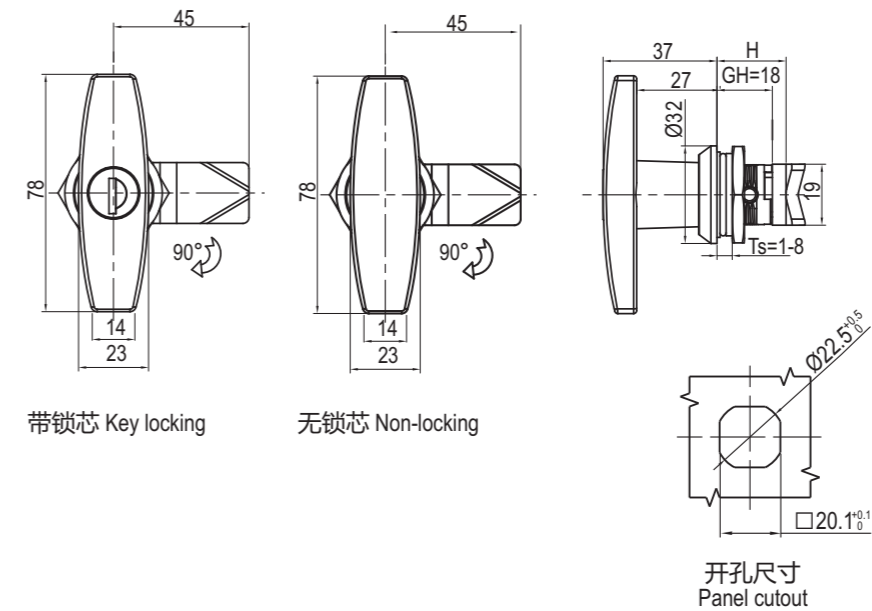


拉手锁 Handle Lock

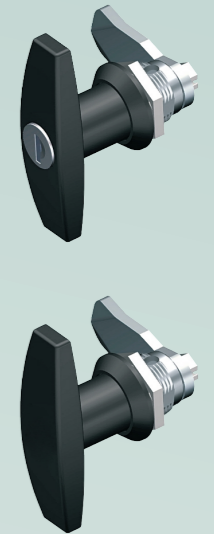
产品系列: 1301



锌合金基座、手柄；镀锌钢栓。
Zinc die housing and handle; m.s. zinc plated cam.

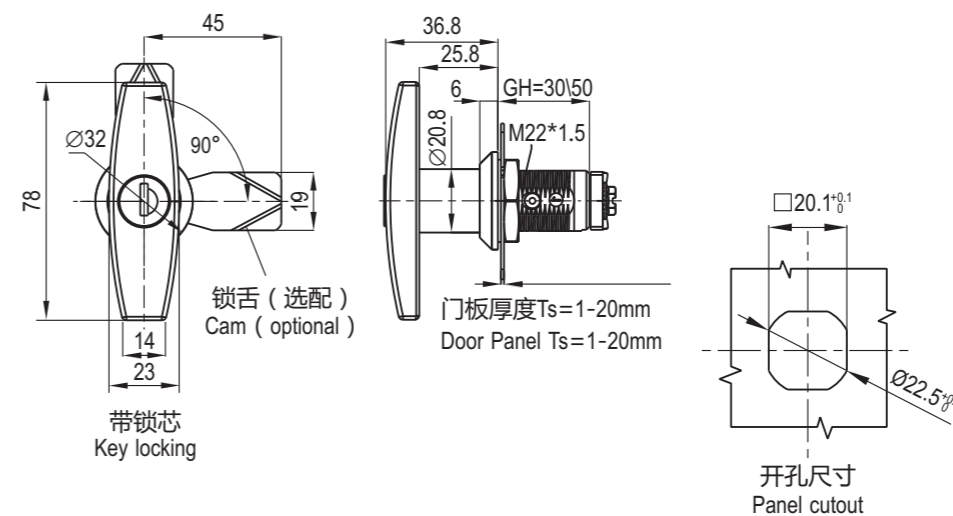
| | 麻面黑 Black Textured Powder Coated | 亮铬 Bright Chrome | 全不锈钢 SUS 316 |
|------------------|-------------------------------------|------------------|--------------|
| 带锁芯 Key Locking | 1301-10-20 | 1301-10-30 | 1301-10-316 |
| 不带锁芯 Non-locking | 1301-00-20 | 1301-00-30 | 1301-00-316 |

STAINLESS SERIES **RL IP65**



可选配件 Accessories ref. to page #
1. 锁舌 见页面 9A-001
CAM ref. to page 9A-001

备注: Remark
1. 专用钥匙可选 Key different on request.
2. CH751 钥匙可选, CH751 key code on request



锌合金基座、手柄；喷塑黑或电镀亮铬。镀锌钢栓。
Zinc die handle and housing black powder coated or bright chrome; zinc plated cam.

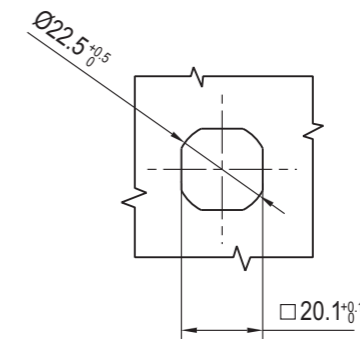
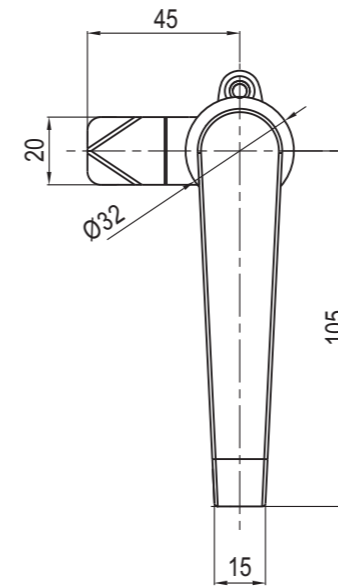
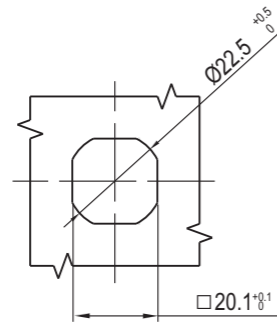
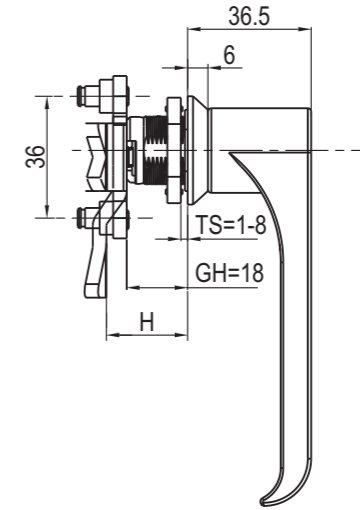
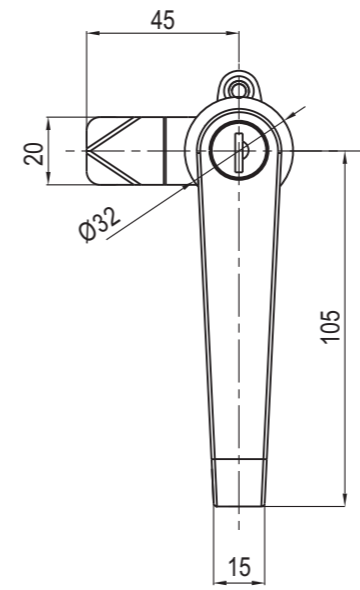
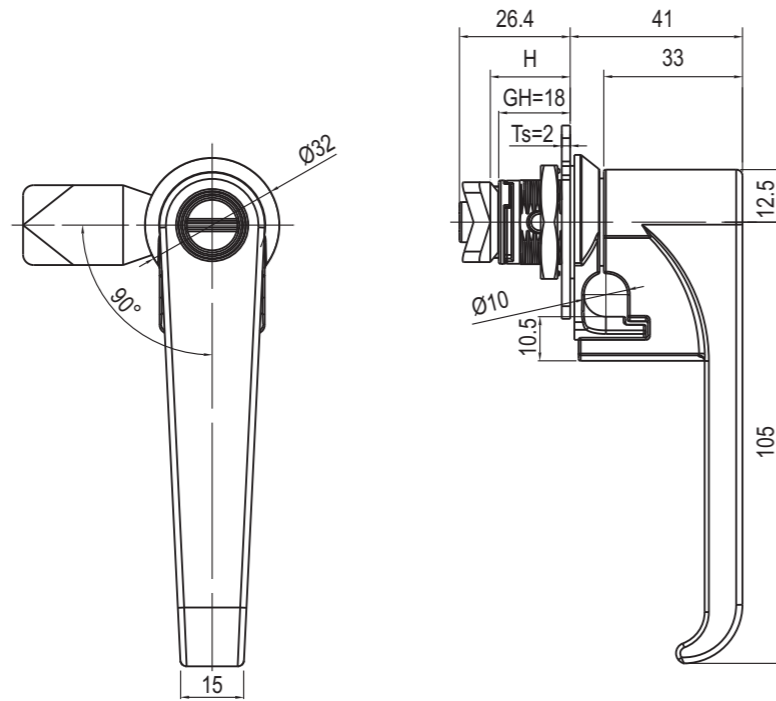
| 锁芯类型 Insert type | GH=30 | | GH=50 | |
|------------------|------------------|----------------------------------|------------------|----------------------------------|
| | 亮铬 Bright Chrome | 麻面黑 Black Textured Powder Coated | 亮铬 Bright Chrome | 麻面黑 Black Textured Powder Coated |
| 带锁芯 Key Locking | 1301-30110-30 | 1301-30110-20 | 1301-50110-30 | 1301-50110-20 |
| 不带锁芯 Non-locking | 1301-30100-30 | 1301-30100-20 | 1301-50100-30 | 1301-50100-20 |

RL IP65

NEW



可选配件 Accessories ref. to page #
1. 锁舌 见页面 9A-001
CAM ref. to page 9A-001



开孔尺寸
Panel cutout

开孔尺寸
Panel cutout

带锁芯 Key locking

无锁芯 Non-locking

锌合金基座、手柄；镀锌钢栓。
Zinc die housing and handle; m.s. zinc plated cam.

锌合金基座、手柄；镀锌钢栓。
Zinc die cast handle and housing black powder coated or bright chrome; m.s.zinc plated cam

可选配件 Accessories ref. to page #

1. 锁舌 见页面 9A-001
CAM ref. to page 9A-001

备注: Remark

1. 专用钥匙可选 Key different on request.
2. CH751 钥匙可选, CH751 key code on request
3. 锁芯不带自动回位功能
Insert is without spring loaded

| | 麻面黑 Black Textured Powder Coated | 喷沙镀铬 Textured Chrome Plated |
|--|----------------------------------|-----------------------------|
| 带锁芯 Key Locking | 1310-10-20 | 1310-10-79 |
| 不带锁芯 Non-locking | 1310-00-20 | 1310-00-79 |
| 2X4 直槽防硬币型 2X4 Slot coin proof insert | 1310-124-20 | 1310-124-79 |

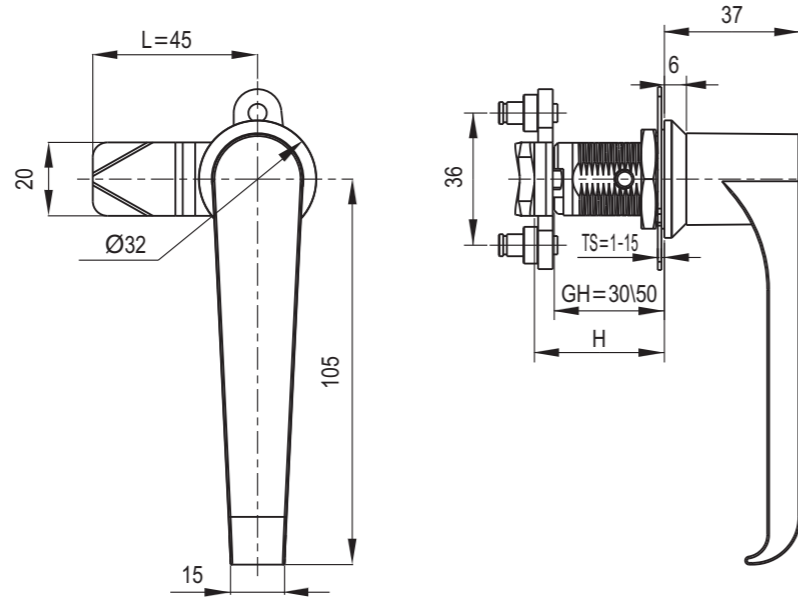
| | 麻面黑 Black Textured Powder Coated | 亮铬 Bright Chrome | 不锈钢 316 SUS 316 |
|-----------------|-------------------------------------|------------------|-----------------|
| 带锁芯 Key Locking | 1311-10-20 | 1311-10-30 | 1311-10-316 |
| 无锁芯 Non-Locking | 1311-00-20 | 1311-00-30 | 1311-00-316 |

可选配件 Accessories ref. to page #

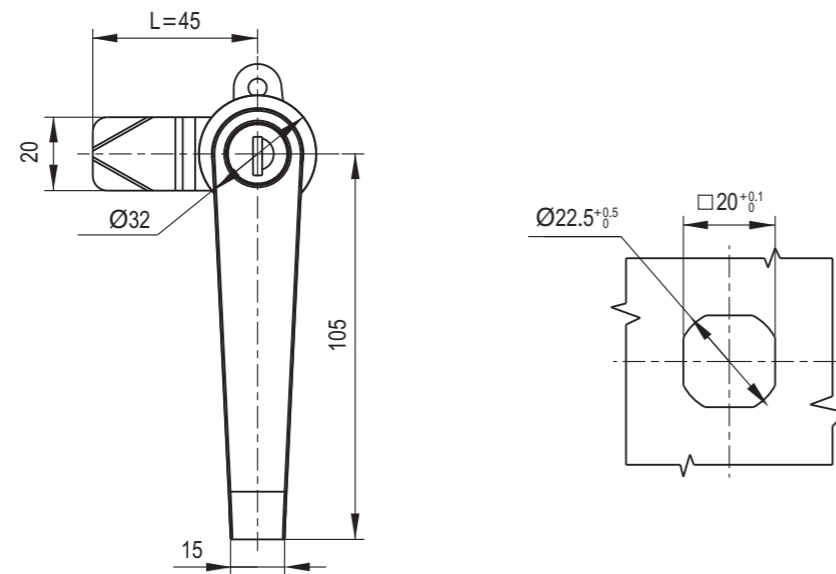
1. 锁舌 见页面 9A-001
CAM ref. to page 9A-001

备注: Remark

1. 专用钥匙可选 Key different on request.
2. CH751 钥匙可选, CH751 key code on request



无锁芯 Non-Locking



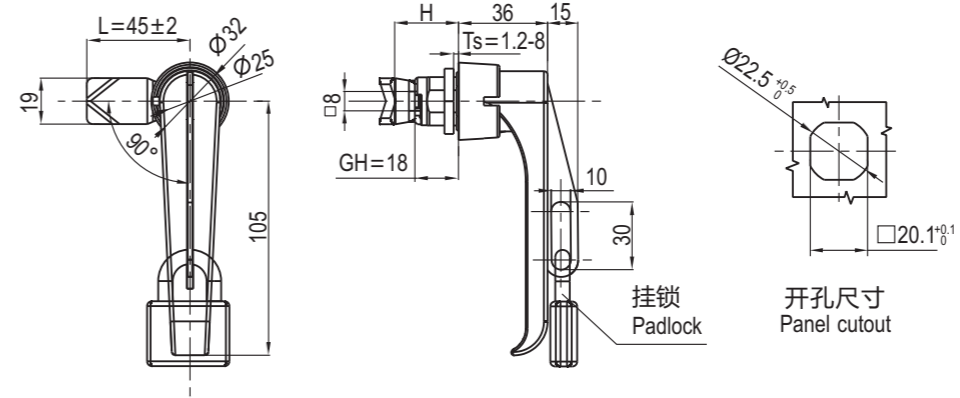
带锁芯 Key Locking

锌合金基座、手柄；镀锌钢栓。
Zinc die cast handle and housing black powder coated or bright chrome; m.s.zinc plated cam

| 锁芯类型 Insert type | GH=30 | | GH=50 | |
|------------------|------------------|----------------------------------|------------------|----------------------------------|
| | 亮铬 Bright Chrome | 麻面黑 Black Textured Powder Coated | 亮铬 Bright Chrome | 麻面黑 Black Textured Powder Coated |
| 带锁芯 Key Locking | 1311-30110-30 | 1311-30110-20 | 1311-50110-30 | 1311-50110-20 |
| 不带锁芯 Non-locking | 1311-30100-30 | 1311-30100-20 | 1311-50100-30 | 1311-50100-20 |

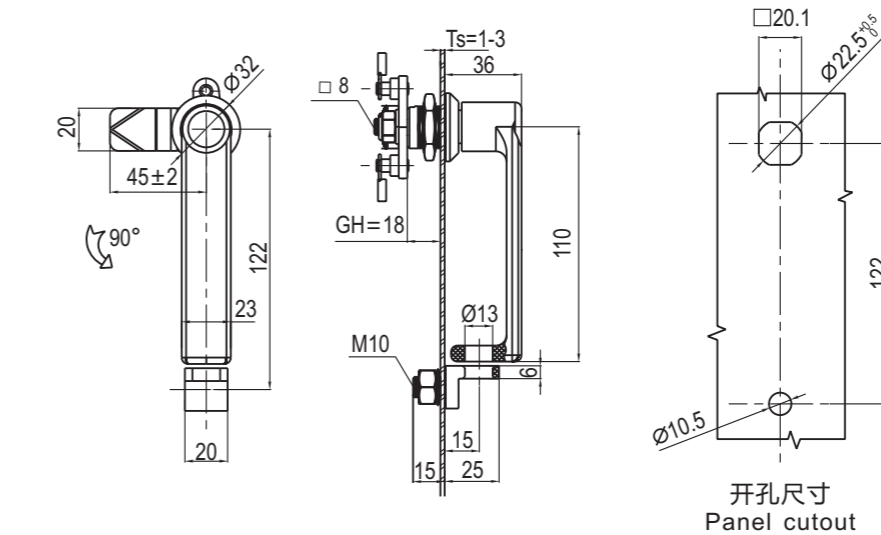
可选配件 Accessories ref. to page #
1. 锁舌 见页面 9A-001
CAM ref. to page 9A-001

备注: Remark
1. 专用钥匙可选 Key different on request.
2. CH751 钥匙可选, CH751 key code on request



锌合金基座、手柄；镀锌钢栓；不锈钢挂锁扣。
Zinc die cast handle and housing; m.s.zinc plated cam; stainless steel padlock device.

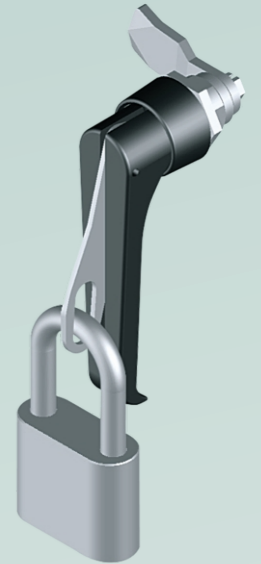
| 麻面黑 Black Textured Powder Coated | 亮铬 Bright Chrome |
|----------------------------------|------------------|
| 1312-10-20 | 1312-10-30 |



锌合金基座，手柄，镀锌钢栓
Zinc die housing and handle black powder coated or bright chrome, m.s. zinc plated cam

| 麻面黑 Black Textured Powder Coated | 亮铬 Bright Chrome | 不锈钢 316 SUS 316 |
|----------------------------------|------------------|-----------------|
| 1324-10-20 | 1324-10-30 | 1324-10-316 |

可选配件 : Accessories ref. page#
1. 锁舌 见页面 9A-001
Cam ref. to page 9A-001

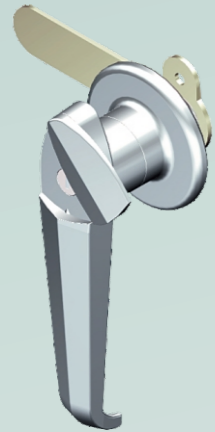


可选配件 : Accessories ref. page#
1. 锁舌 见页面 9A-001
Cam ref. to page 9A-001

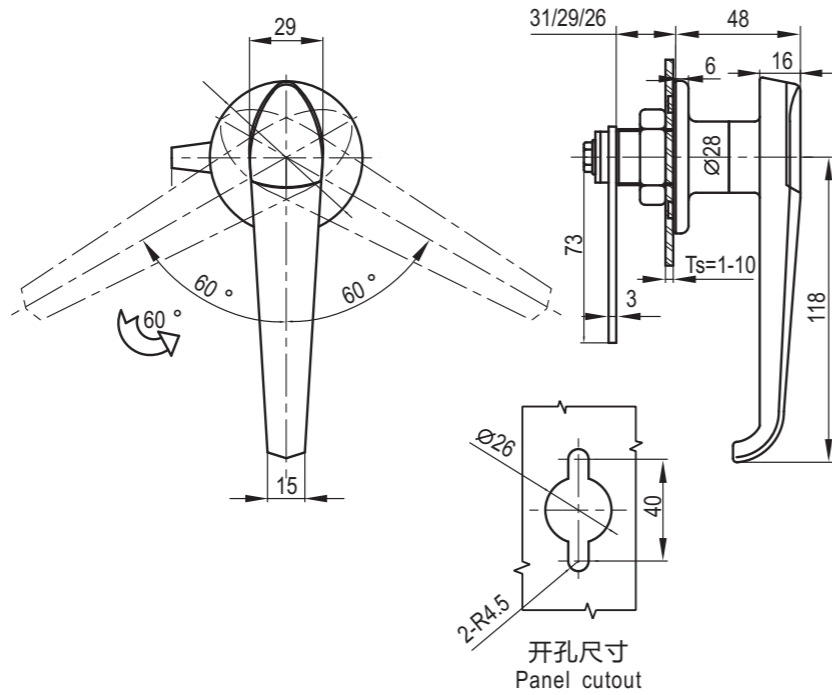


可选配件 : Accessories ref. page#
1. 锁舌 见页面 9A-001
Cam ref. to page 9A-001

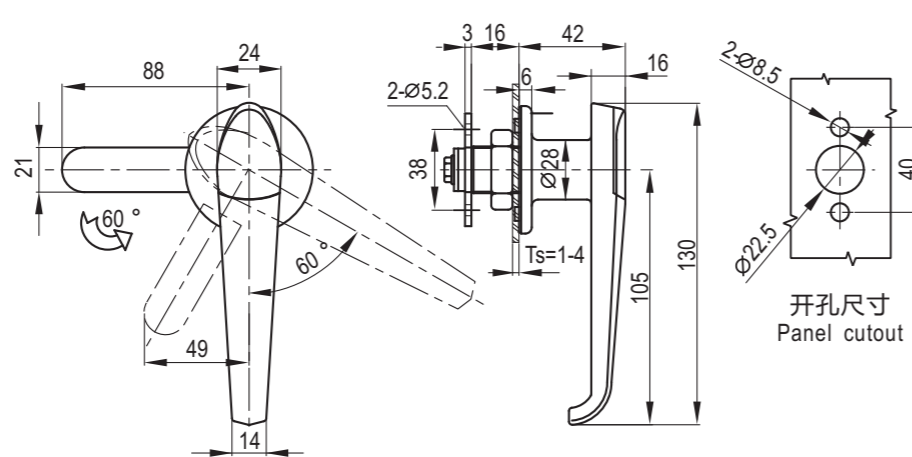
RL



大型 Large size

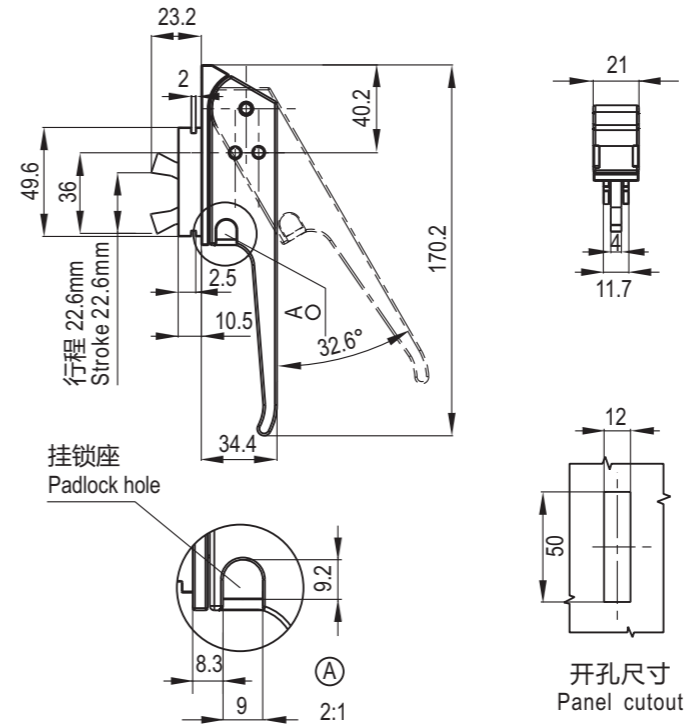


中型 Middle size



锌合金把手、基座、锁芯；镀锌钢栓。
Zinc die handle, housing and cylinder; m.s. zinc plated cam and fixing parts.

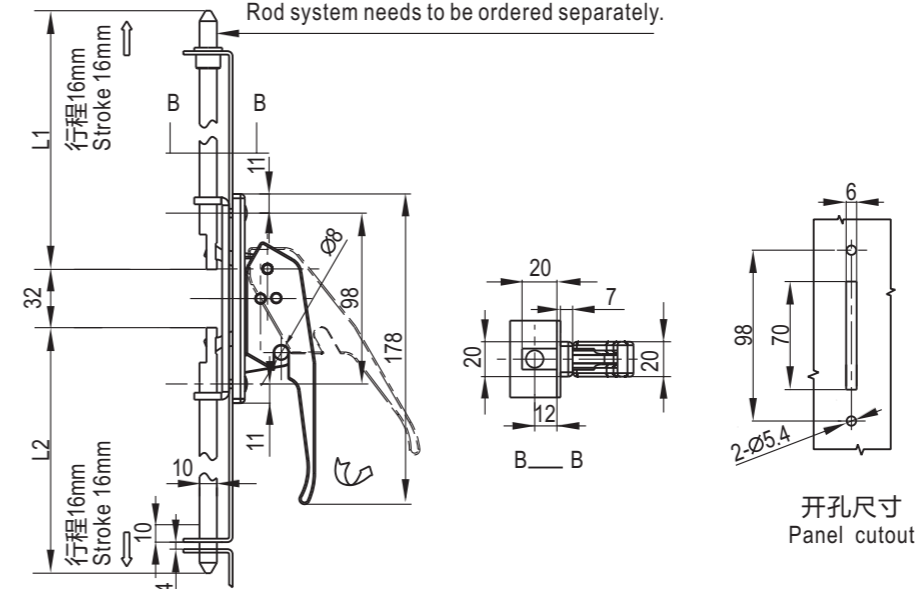
| | 亮铬 Bright Chrome |
|----------------|------------------|
| 大型 Large size | 1316-01-30 |
| 中型 Middle size | 1316-02-30 |



锌合金基座、手柄；表面喷涂处理，镀锌钢栓。
Zinc die housing and handle, black powder coated; m.s. zinc plated cam.

喷塑黑 Black Powder Coated 1320-10

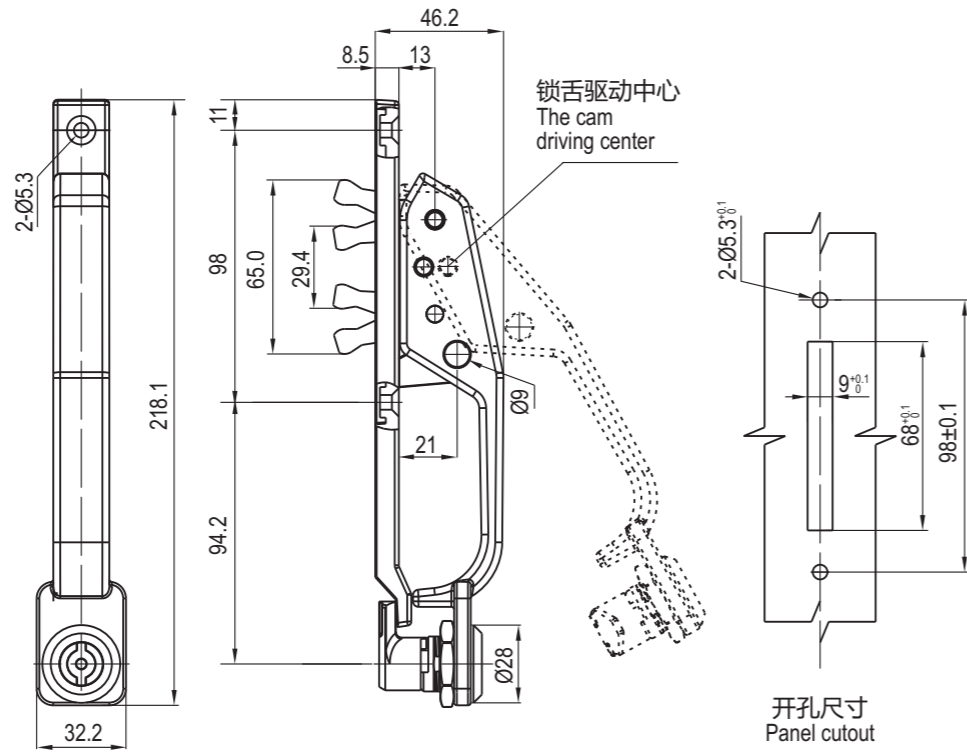
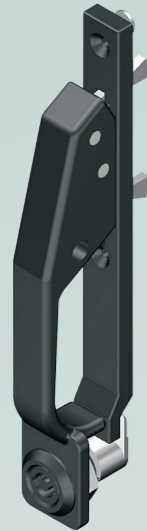
连杆部分单独订购
Rod system needs to be ordered separately.



锌合金基座、手柄；表面喷塑，镀锌钢栓。
Zinc die housing and handle, black powder coated; m.s. zinc plated cam.

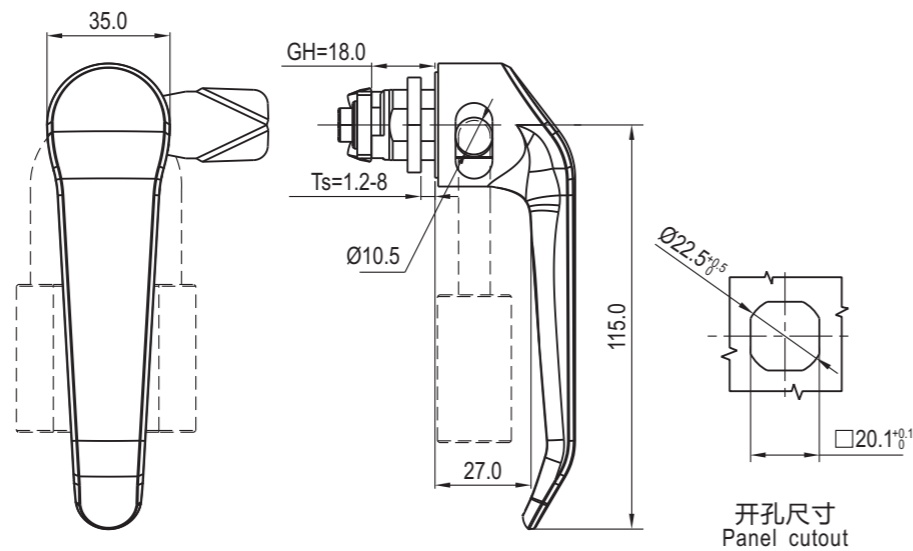
| | |
|----------------------------------|---------|
| 喷塑黑 Black Powder Coated | 1321-10 |
| 喷塑 RAL7012 Powder coated RAL7012 | 1321-24 |





锌合金基座、手柄；表面喷塑或电泳，镀锌钢栓。
Zinc die housing and handle, black powder coated or E-Coated; m.s. zinc plated cam.

| | |
|----------------------------------|---------|
| 喷塑黑 Black Powder Coated | 1322-10 |
| 喷塑 RAL7012 Powder coated RAL7012 | 1322-24 |



锌合金基座、手柄；喷塑黑或电镀亮铬，镀锌钢栓或全不锈钢
Zinc die handle and housing, black powder coated or bright chrome, m.s. zinc plated cam or full stainless steel.

| | |
|----------------------------------|-----------------|
| 麻面黑 Black Textured Powder Coated | 不锈钢 316 SUS 316 |
| 1325-00-20 | 1325-00-316 |