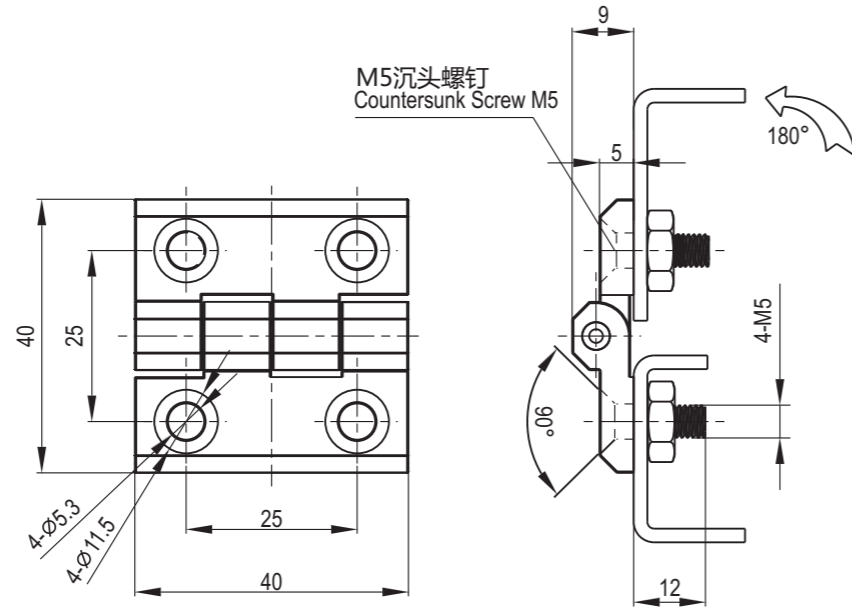


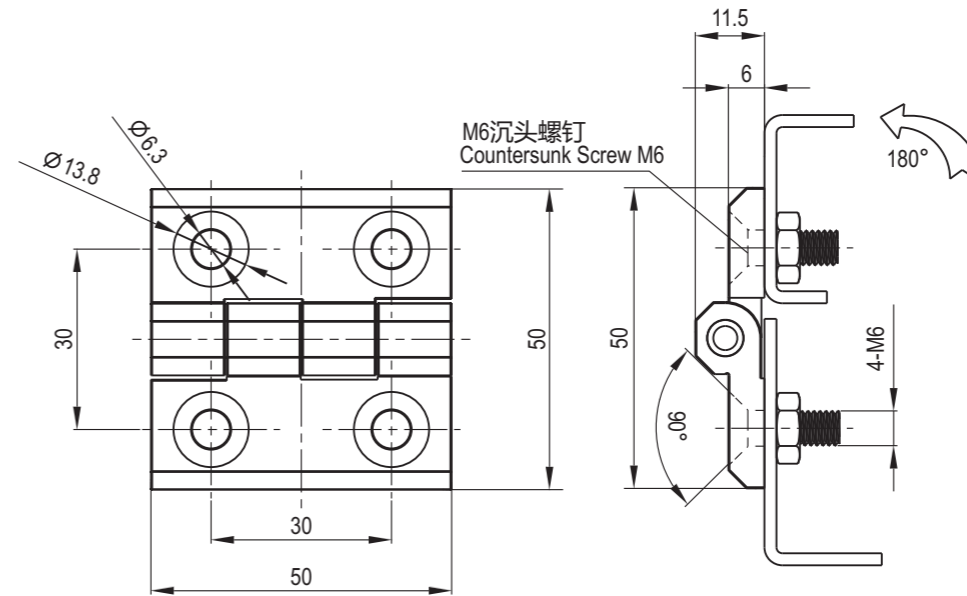


M5 沉头螺钉固定 Countersunk Screw M5



材质可做全不锈钢
SUS material upon request

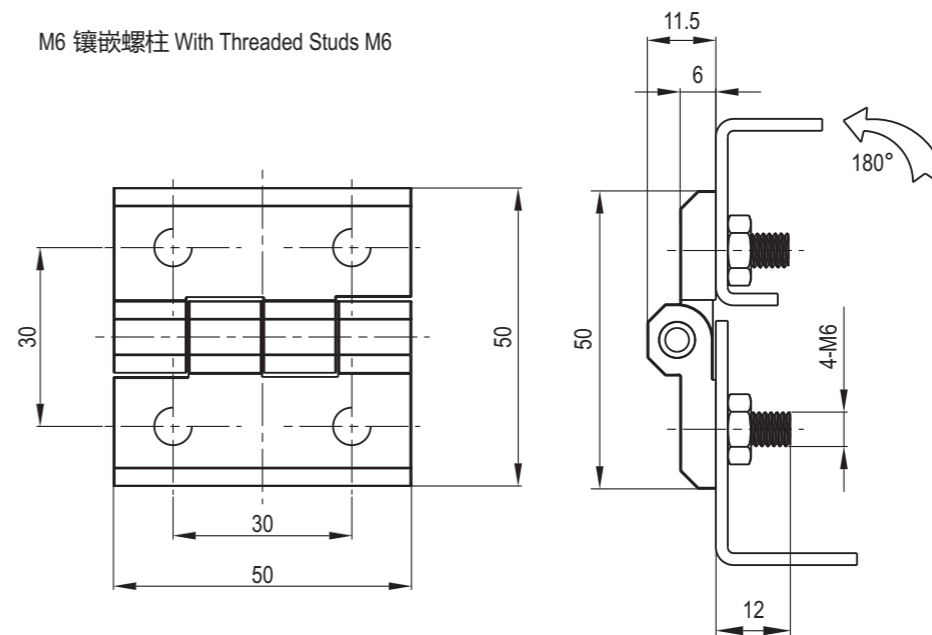
M6 沉头螺钉固定 Countersunk Screw M6



材质可做全不锈钢
SUS material upon request

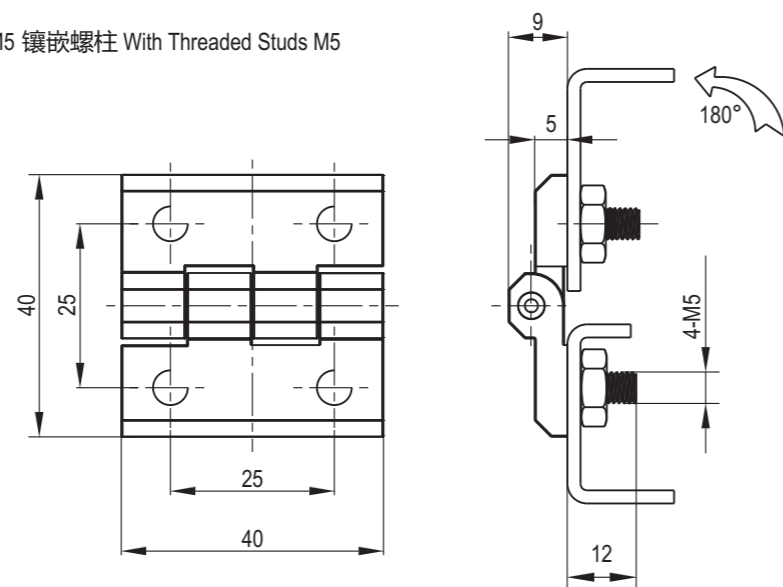


M6 镶嵌螺柱 With Threaded Studs M6



锌合金，镀锌钢或不锈钢销轴和螺柱，表面处理可做喷塑黑和电镀亮铬
Zinc die, m.s. zinc plated or SUS pin and threaded studs, black powder coated or bright chrome

M5 镶嵌螺柱 With Threaded Studs M5



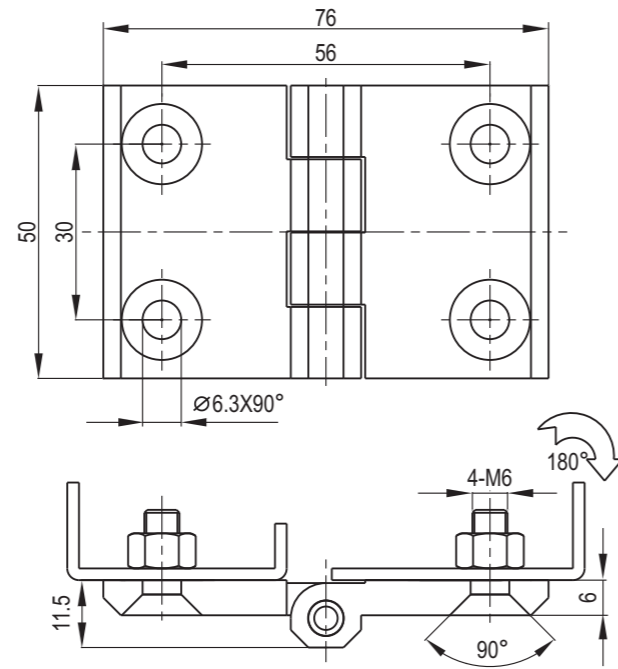
锌合金，镀锌钢或不锈钢销轴和螺柱，表面处理可做喷塑黑和电镀亮铬
Zinc die, m.s. zinc plated or SUS pin and threaded studs, black powder coated or bright chrome

螺钉固定铰链 Screw-on Hinge 40X40		
表面处理 Finish	M5 沉头螺钉固定 Countersunk Screw M5	M5 镶嵌螺柱 With Threaded Studs M5
喷塑黑 Black Powder Coated	2101-400-10	2101-401-20
亮铬 Bright Chrome	2101-400-30	
不锈钢 316 SUS 316	2101-400-316	
喷沙镀铬 Textured Chrome Plated		2101-401-79

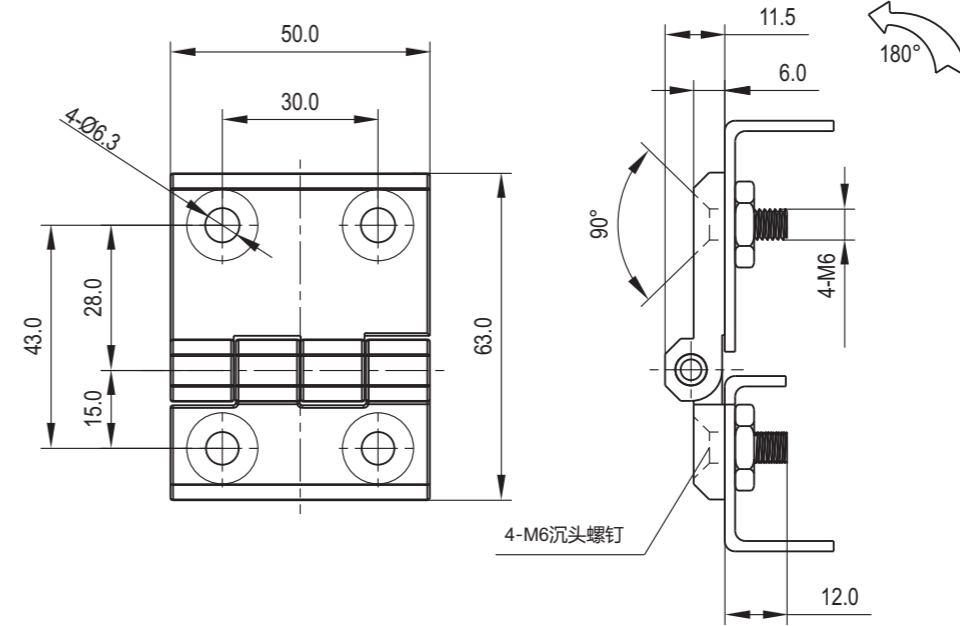
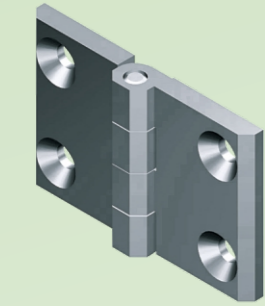
螺钉固定铰链 Screw-on Hinge 50X50		
表面处理 Finish	M6 沉头螺钉固定 Countersunk Screw M6	M6 镶嵌螺柱 With Threaded Studs M6
喷塑黑 Black Powder Coated	2101-500-10	2101-501-20
亮铬 Bright Chrome	2101-500-30	
不锈钢 316 SUS 316	2101-500-316	
喷沙镀铬 Textured Chrome Plated		2101-501-79



M6 沉头螺钉固定 Countersunk Screw M6

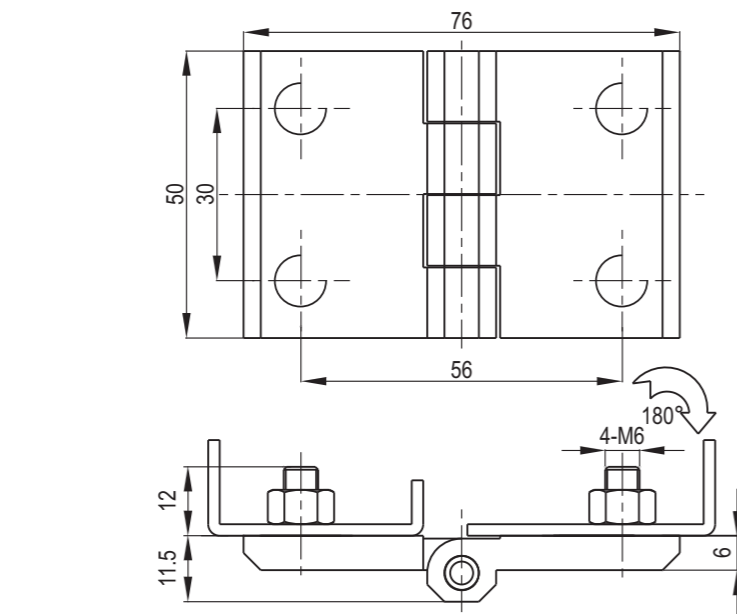


材质可做全不锈钢
SUS material upon request



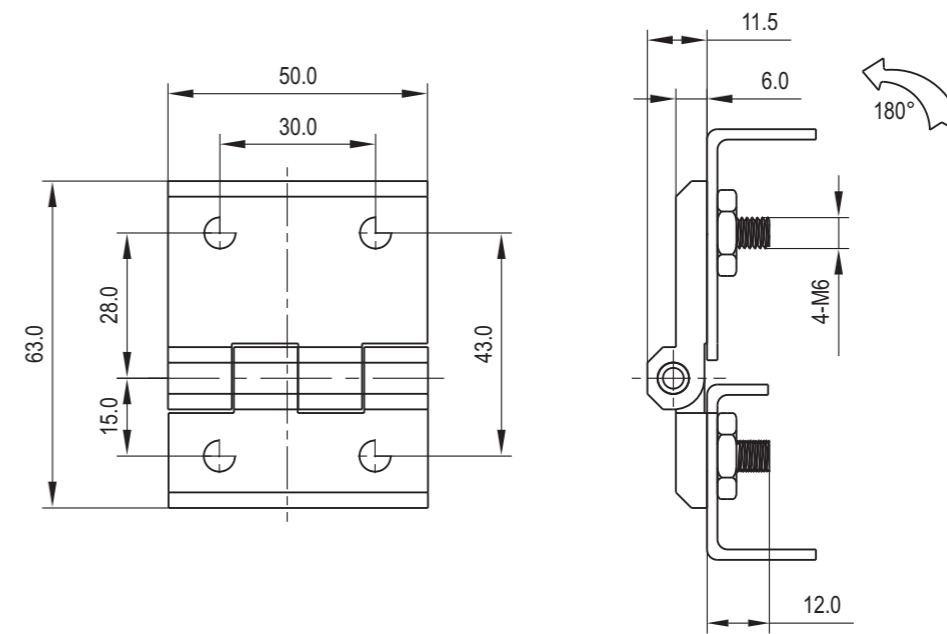
锌合金，镀锌钢或不锈钢销轴和螺柱，表面处理可做喷塑黑和电镀亮铬
Zinc die, m.s. zinc plated or SUS pin and threaded studs, black powder coated or bright chrome.

螺钉固定铰链 Screw-on Hinge		
表面处理 Finish	M6 沉头螺钉固定 Countersunk Screw M6	M6 镶嵌螺柱 With Threaded Studs M6
喷塑黑 Black Powder Coated	2101-563-10	2101-5631-20
亮铬 Bright Chrome	2101-563-30	
不锈钢 316 SUS 316	2101-563-316	
喷沙镀铬 Textured Chrome Plated		2101-5631-79



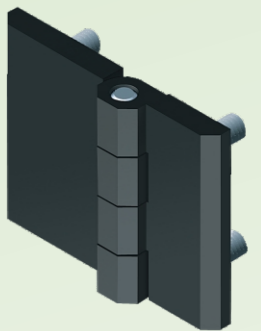
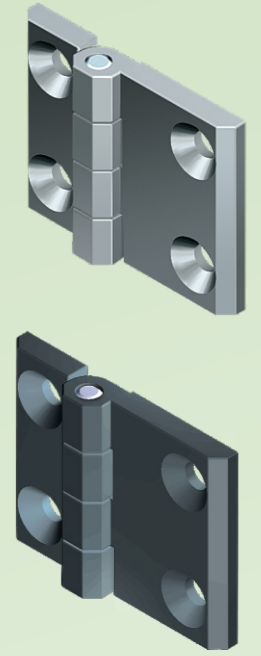
锌合金，镀锌钢或不锈钢销轴和螺柱，表面处理可做喷塑黑和电镀亮铬
Zinc die, m.s. zinc plated or SUS pin and threaded studs, black powder coated or bright chrome.

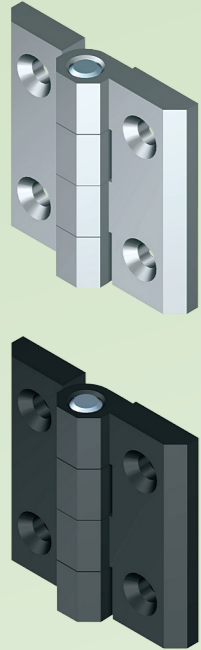
螺钉固定铰链 Screw-on Hinge 50X76		
表面处理 Finish	M6 沉头螺钉固定 Countersunk Screw M6	M6 镶嵌螺柱 With Threaded Studs M6
喷塑黑 Black Powder Coated	2101-576-10	2101-5761-20
亮铬 Bright Chrome	2101-576-30	
不锈钢 316 SUS 316	2101-576-316	
喷沙镀铬 Textured Chrome Plated		2101-5761-79



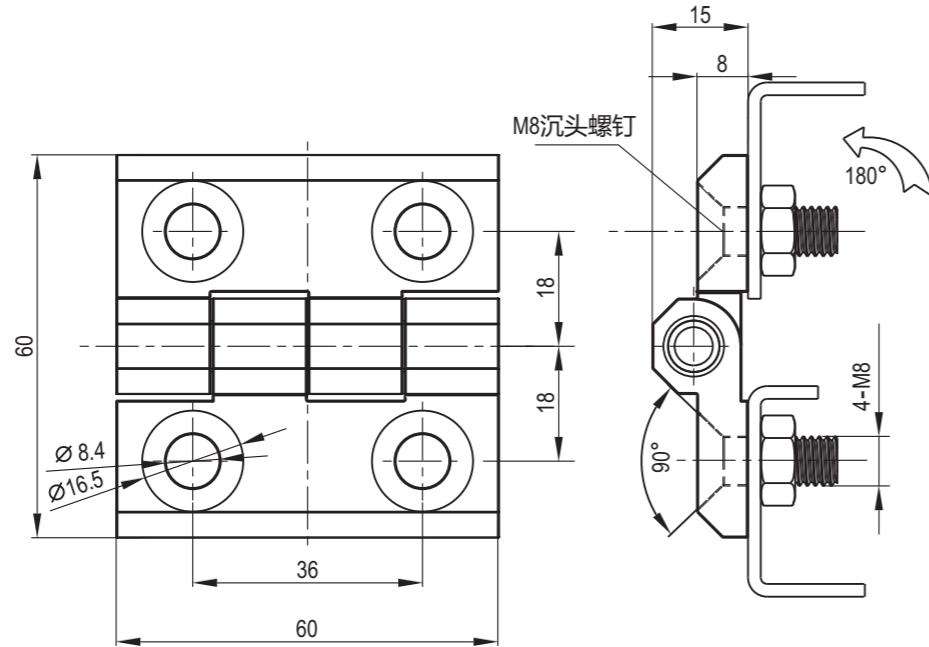
锌合金，镀锌钢或不锈钢销轴和螺柱，表面处理可做喷塑黑和电镀亮铬
Zinc die, m.s. zinc plated or SUS pin and threaded studs, black powder coated or bright chrome.

螺钉固定铰链 Screw-on Hinge		
表面处理 Finish	M6 沉头螺钉固定 Countersunk Screw M6	M6 镶嵌螺柱 With Threaded Studs M6
喷塑黑 Black Powder Coated	2101-563-10	2101-5631-20
亮铬 Bright Chrome	2101-563-30	
不锈钢 316 SUS 316	2101-563-316	
喷沙镀铬 Textured Chrome Plated		2101-5631-79



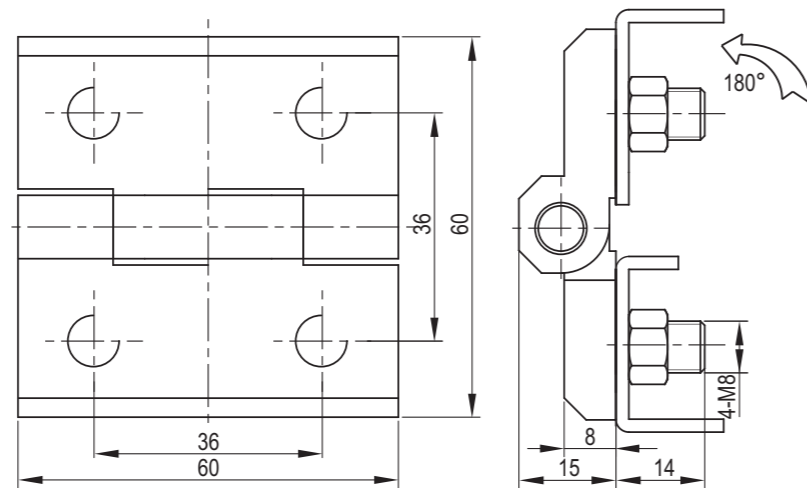


M8 沉头螺钉固定 Countersunk Screw M8



材质可做全不锈钢
SUS material upon request

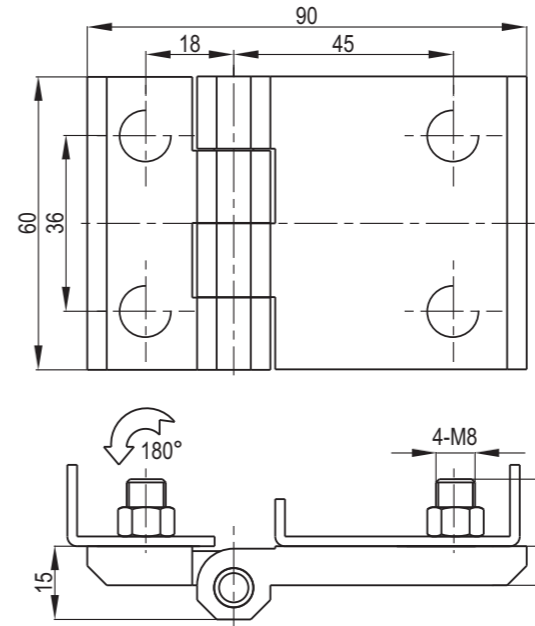
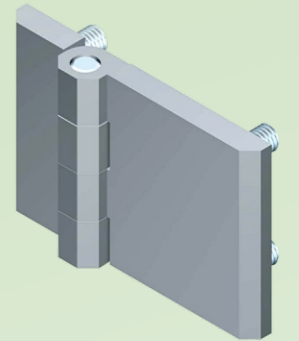
M8 镶嵌螺柱 With Threaded Studs M8



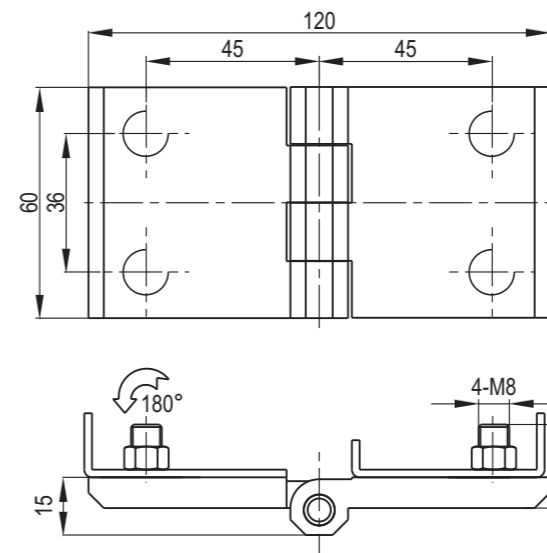
材质可做全不锈钢
SUS material upon request

锌合金，镀锌钢或不锈钢销轴和螺柱，表面处理可做喷塑黑和电镀亮铬
Zinc die, m.s. zinc plated or SUS pin and threaded studs, black powder coated or bright chrome

螺钉固定铰链 Screw-on Hinge 60X60		
表面处理 Finish	M8 沉头螺钉固定 Countersunk Screw M8	M8 镶嵌螺柱 With Threaded Studs M8
喷塑黑 Black Powder Coated	2101-600-10	2101-601-20
亮铬 Bright Chrome	2101-600-30	
不锈钢 316 SUS316	2101-600-316	
喷沙镀铬 Textured Chrome Plated		2101-601-79



螺钉固定铰链 Screw-on Hinge 60X90	
表面处理 Surface	M8 镶嵌螺柱 With Threaded Studs M8
麻面黑 Black Textured Powder Coated	2101-691-20
喷沙镀铬 Textured Chrome Plated	2101-691-79

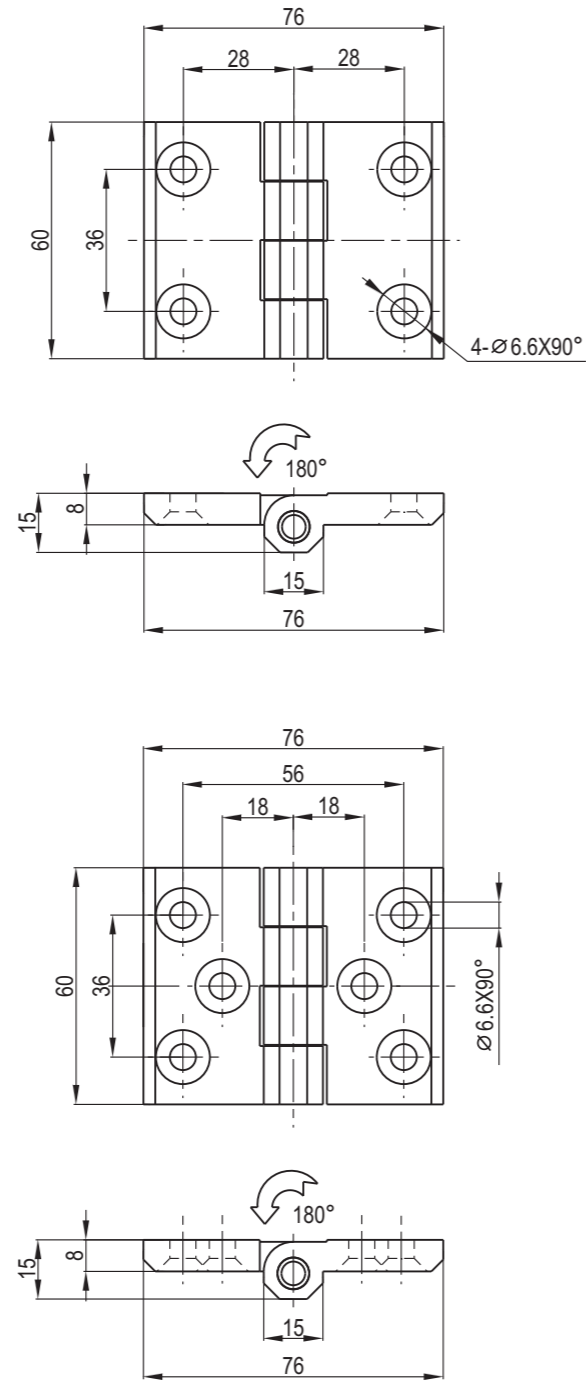


锌合金，镀锌钢或不锈钢销轴和螺柱，表面处理可做喷塑黑和电镀亮铬
Zinc die, m.s. zinc plated or SUS pin and threaded studs, black powder coated or bright chrome

螺钉固定铰链 Screw-on Hinge 60X120	
表面处理 Finish	M8 镶嵌螺柱 With Threaded Studs M8
麻面黑 Black Textured Powder Coated	2101-61201-20
喷沙镀铬 Textured Chrome Plated	2101-61201-79

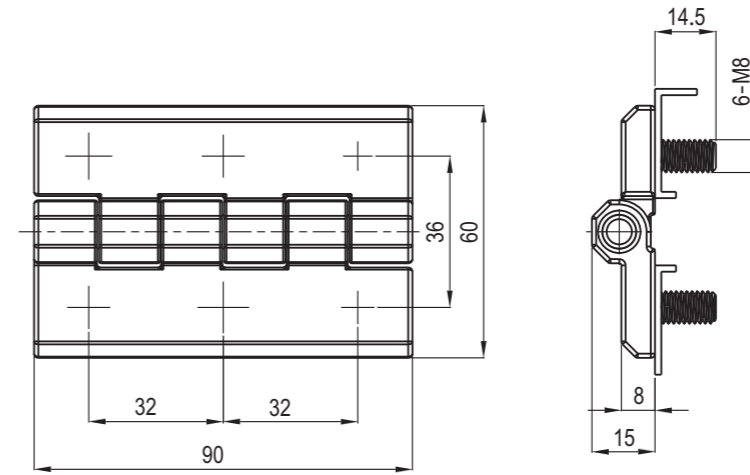
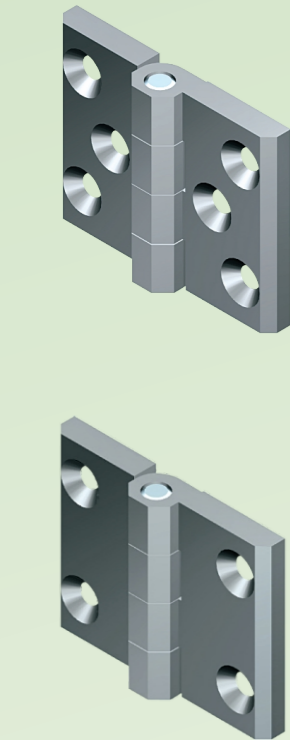


M6 沉头螺钉固定 Countersunk Screw M6



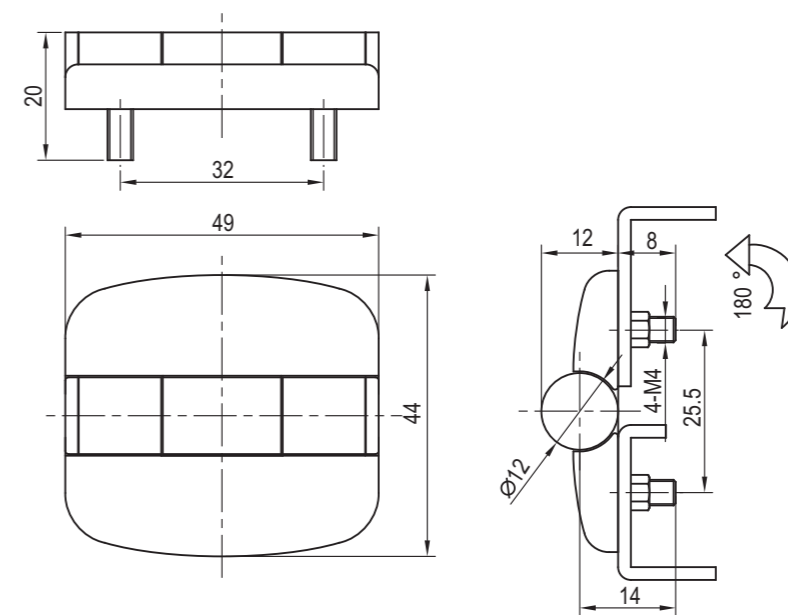
锌合金, 镀锌钢或不锈钢销轴表面处理可做喷塑黑和电镀亮铬, 材质可做全不锈钢
Zinc die, m.s. zinc plated or SUS pin, black powder coated or bright chrome, SUS material upon request

螺钉固定铰链 Screw-on Hinge 60X76		
表面处理 Finish	四个 M6 沉头螺丝孔 4 Countersunk Screw hole M6	六个 M6 沉头螺丝孔 6 Countersunk Screw hole M6
喷塑黑 Black Powder Coated	2101-6764-10	2101-6766-10
亮铬 Bright Chrome	2101-6764-30	2101-6766-30



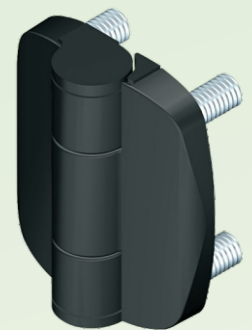
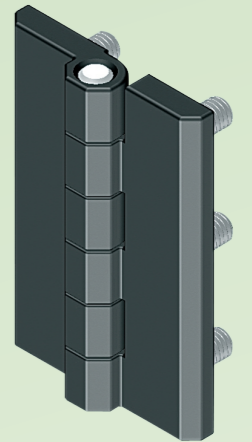
锌合金, 镀锌钢或不锈钢销轴和螺柱, 表面处理可做喷塑黑和喷沙镀铬
Zinc die, m.s. zinc plated or SUS pin and threaded studs, black powder coated or textured chrome plated

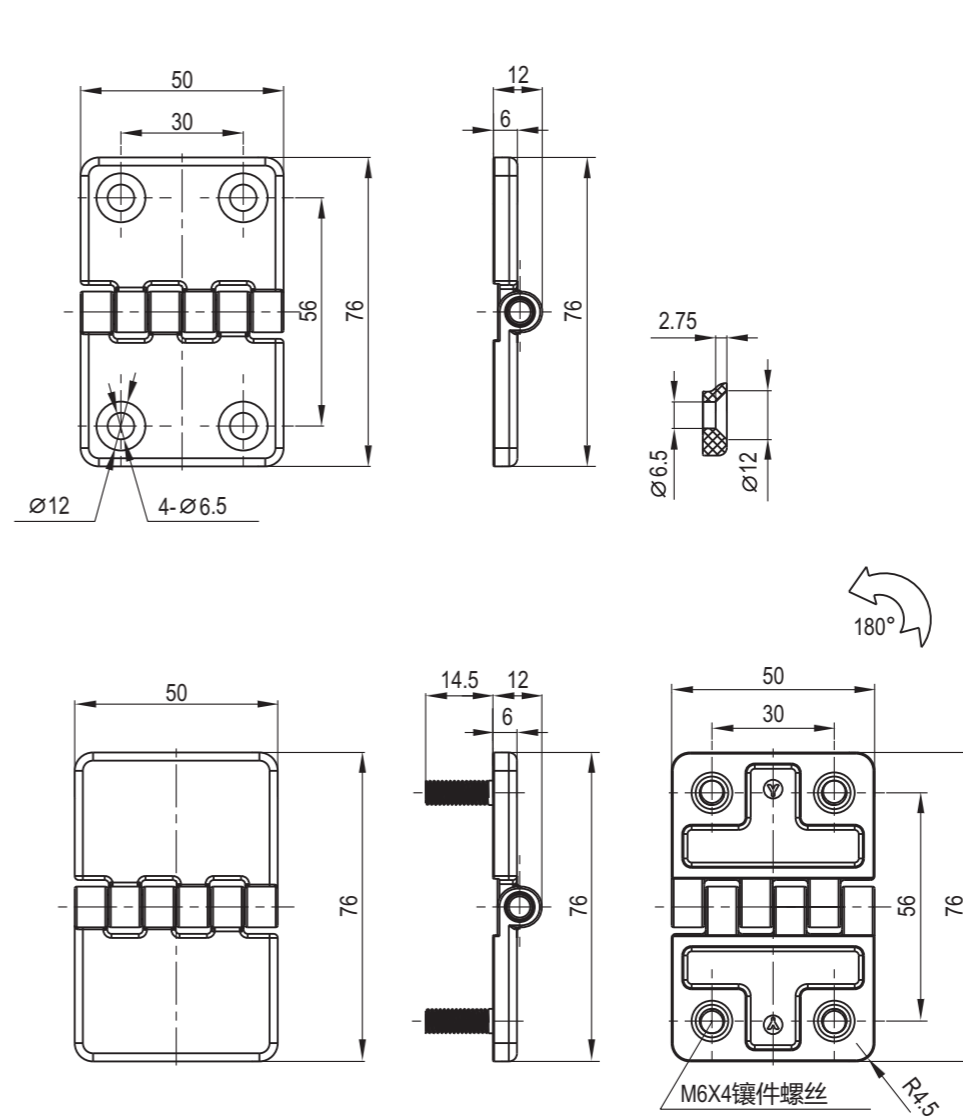
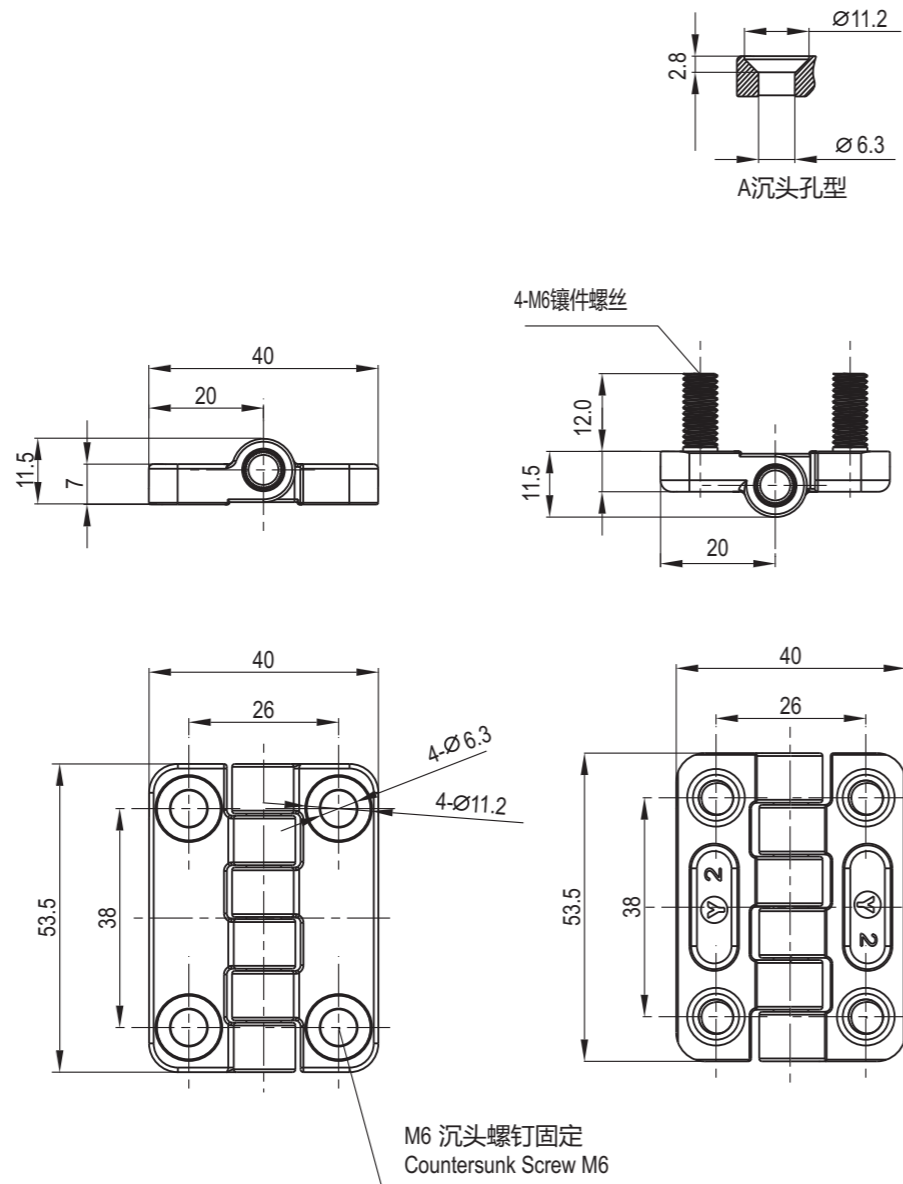
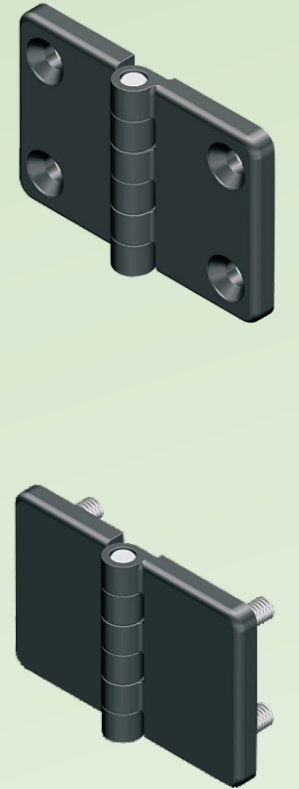
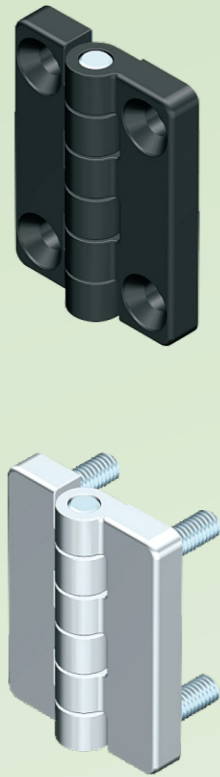
螺钉固定铰链 Screw-on Hinge 90X60		
	M8 镶嵌螺柱 With Threaded Studs M8	
表面处理 Finish	左开 Left	右开 Right
喷塑黑 Black Powder Coated	2101-961-20L	2101-961-20R
喷沙镀铬 Textured chrome plated	2101-961-79L	2101-961-79R



乙缩醛和尼龙黑
Nylon black hinge leaves & covers, acetal black hinge pin and pin insert

自由摆动 Free-Swinging	定位控制120度, 170度 Detented open angle
2104-0-90	2104-5-90



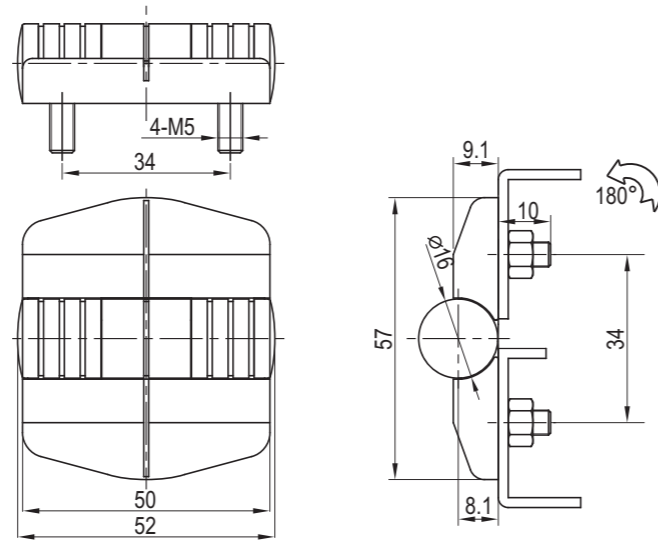
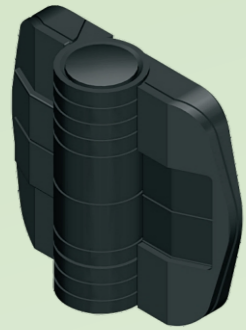


锌合金，镀锌钢或不锈钢销轴和螺柱，表面处理可做喷塑黑和电镀亮铬
Zinc die, m.s. zinc plated or SUS pin and threaded studs, black powder coated or bright chrome

锌合金，镀锌钢或不锈钢销轴和螺柱，表面处理可做喷塑黑和电镀亮铬
Zinc die, m.s. zinc plated or SUS pin and threaded studs, black powder coated or chrome bright

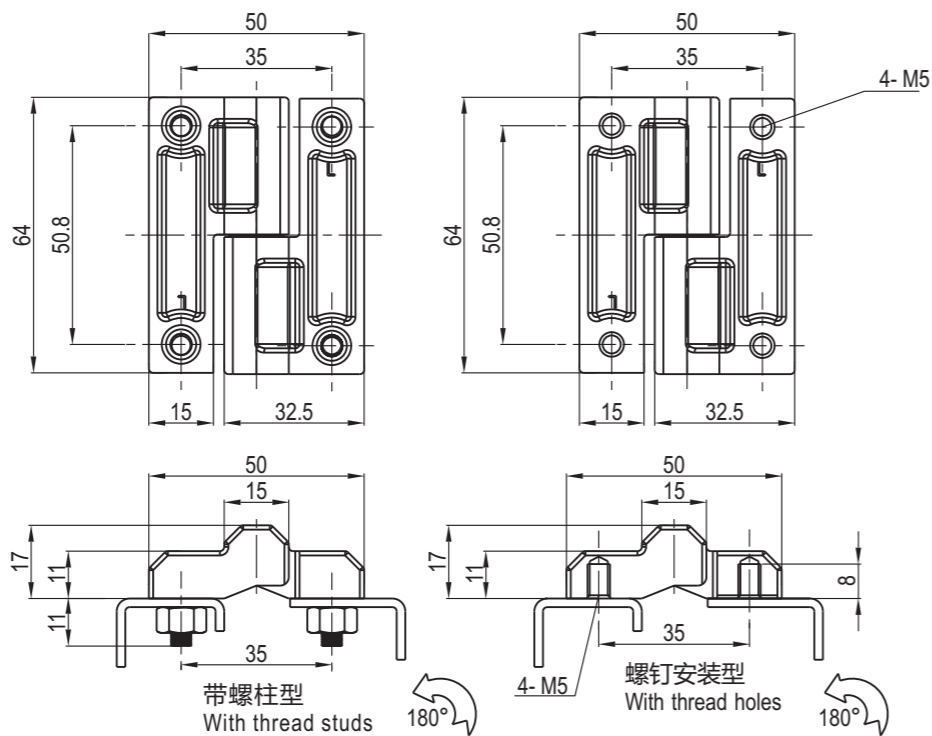
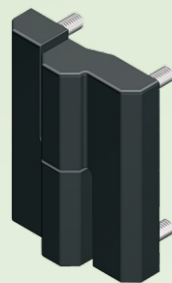
螺钉固定铰链 Screw-on Hinge		
表面处理 Finish	M6 沉头螺钉固定 Countersunk Screw M6	M6 镶嵌螺柱 With Threaded Studs M6
喷塑黑 Black Powder Coated	2102-540-10	2102-541-20
亮铬 Bright Chrome	2102-540-30	
喷沙镀铬 Textured Chrome Plated		2102-541-79

螺钉固定铰链 Screw-on Hinge		
表面处理 Finish	M6 沉头螺钉固定 Countersunk Screw M6	M6 镶嵌螺柱 With Threaded Studs M6
喷塑黑 Black Powder Coated	2102-760-10	2102-761-20
亮铬 Bright Chrome	2102-760-30	
喷沙镀铬 Textured Chrome Plated		2102-761-79



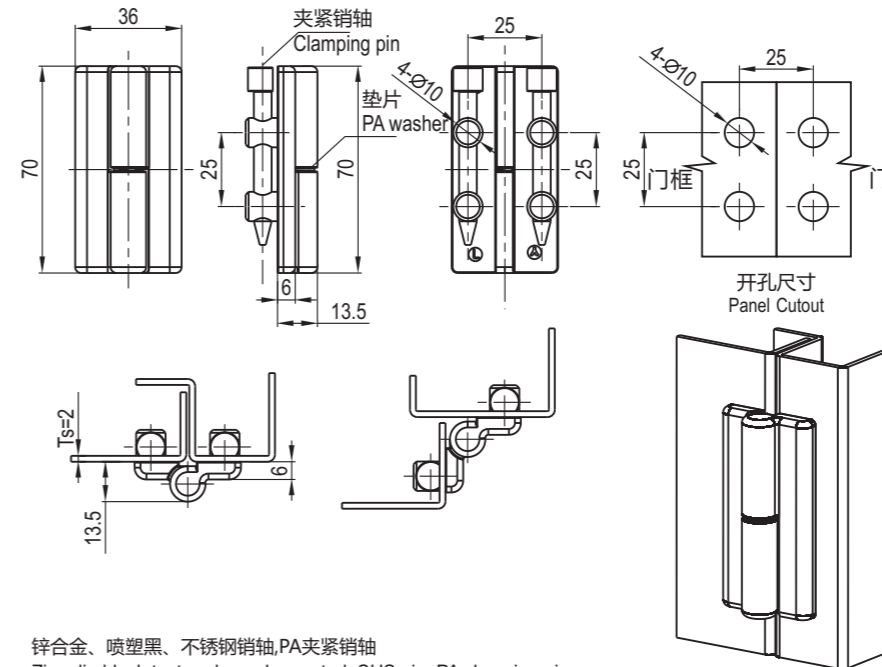
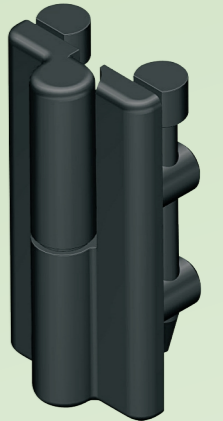
乙缩醛和尼龙黑
Nylon black hinge leaves & covers, acetal black hinge pin and pin insert

自由摆动 Free-Swinging		2105-0-90	
定位扭矩 Positioning Torque N.M	80°定位 Detented open angle: 80°	115°定位 Detented open angle: 115°	150°定位 Detented open angle: 150°
0.7	2105-08007-90	2105-11507-90	2105-1507-90
1.1	2105-08011-90	2105-11511-90	2105-15011-90
1.7	2105-08017-90	2105-11517-90	2105-15017-90



锌合金，镀锌钢或不锈钢销轴和螺柱，表面处理可做喷塑黑和电镀
Zinc die, m.s. zinc plated or SUS pin and threaded studs, black powder coated or bright chrome.

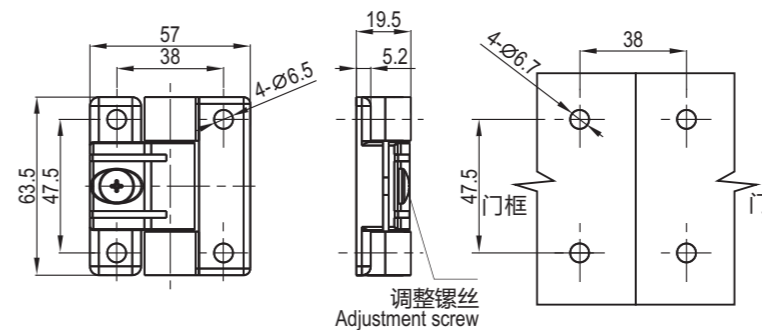
	带螺柱型 With thread studs	带螺孔型 With thread hole
A型 (左装) Version A (left)	2106-501-L20	2106-500-L10
B型 (右装) Version B (Right)	2106-501-R20	2106-500-R10



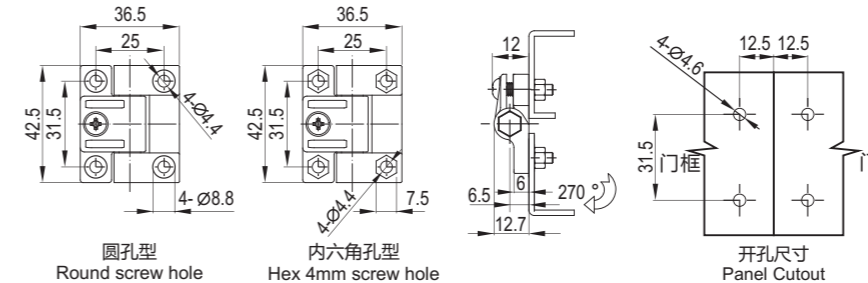
锌合金、喷塑黑、不锈钢销轴, PA夹紧销轴
Zinc die, black textured powder coated, SUS pin, PA clamping pin

2107	
左装型 Left side	2107-L
右装型 Right side	2107-R

大型 Large Size

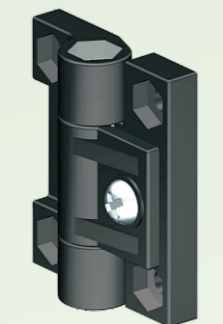


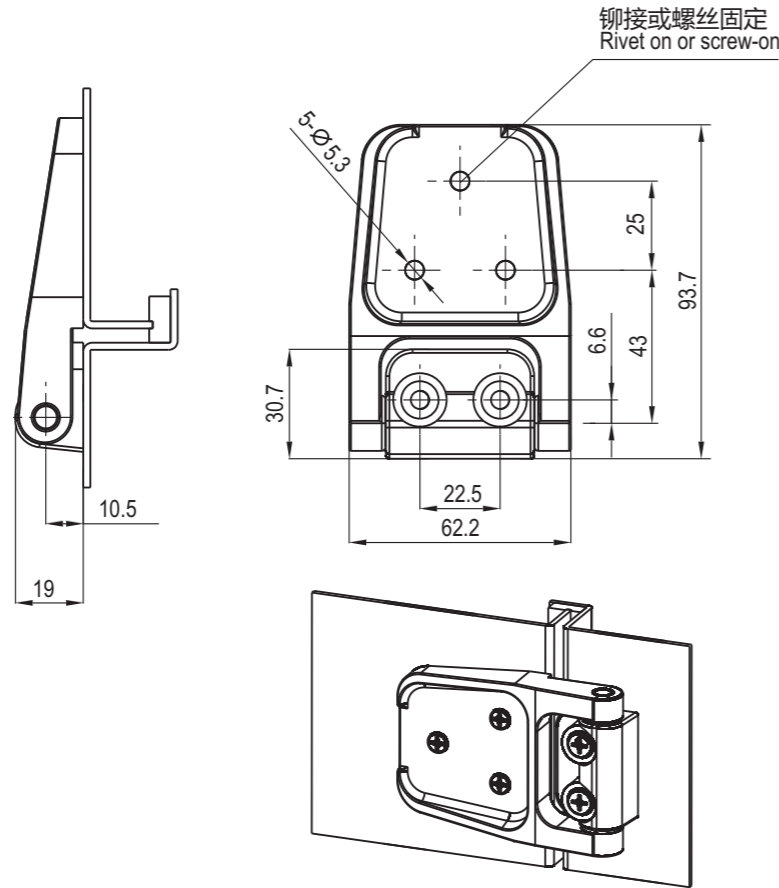
小型 Small Size



铰链叶片：乙缩醛 销轴：聚碳酸酯 调整螺钉和螺母：不锈钢
Hinge Leaves: Acetal Hinge Pin: Polycarbonate Adjustment screw & nut: stainless steel

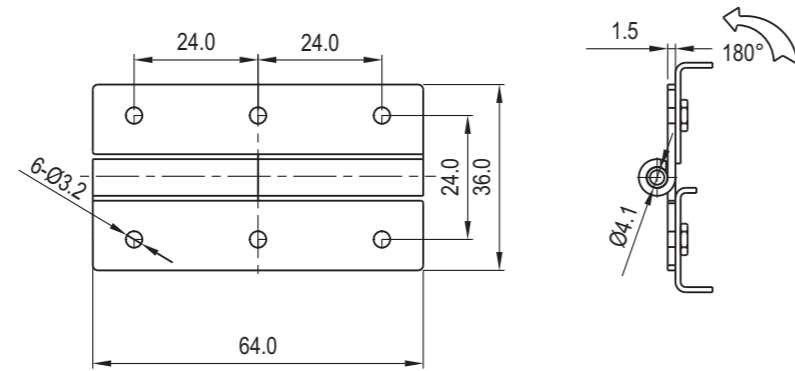
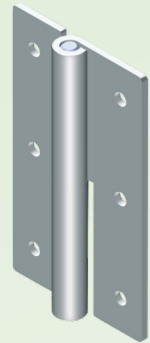
	黑色 Black		乳白色 White	
	圆孔型 Round screw hole	内六角孔型 Hex 4mm screw hole	圆孔型 Round screw hole	内六角孔型 Hex 4mm screw hole
大型 Large Size	2112-01-BR	2112-01-BS	2112-01-WR	2112-01-WS
小型 Small Size	2112-02-BR	2112-02-BS	2112-02-WR	2112-02-WS





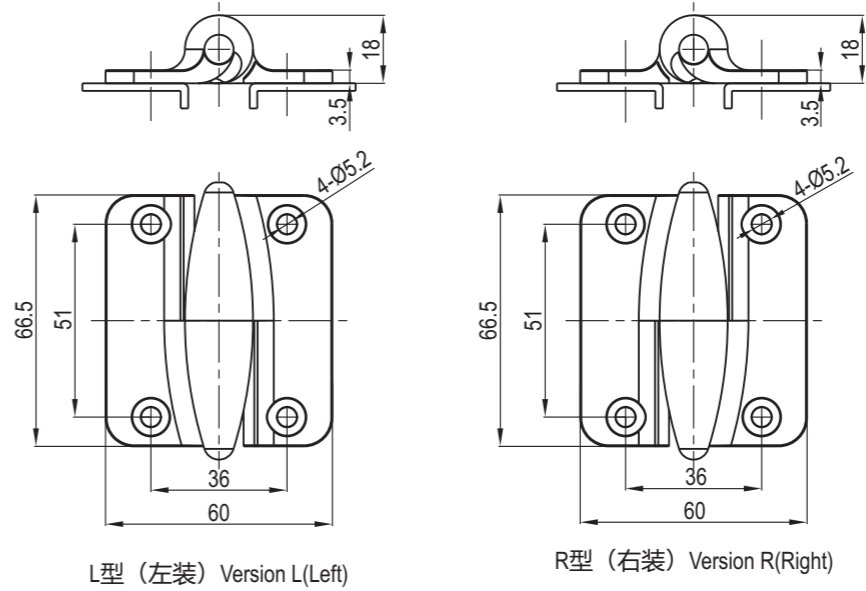
黑色PA+GF 铰链、镀锌钢销轴
Hinge polyamide GF 30% black, m.s. zinc plated pin

	2113-01
--	---------



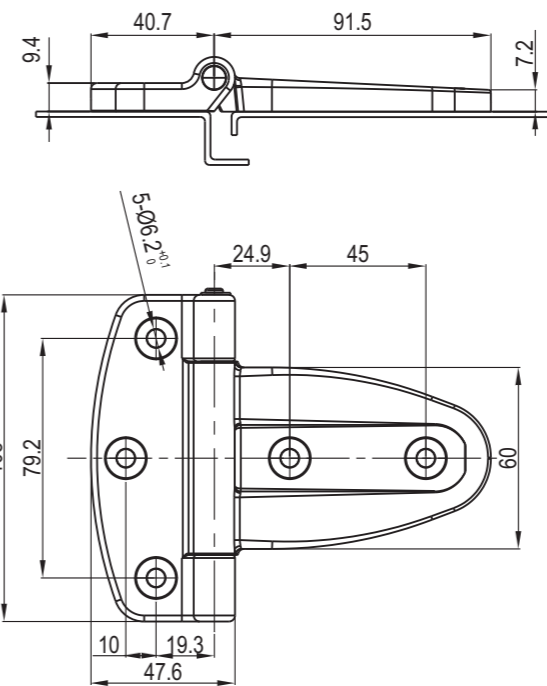
镀锌钢或不锈钢
M.S. zinc plated or stainless steel

螺钉固定铰链 64X32 Screw-on Hinge 64X32		
	左开 Left	右开 Right
不锈钢 304 SUS 304	2114-01-304L	2114-01-304R
铁镀锌 M.S.Zinc Plated	2114-01-01L	2114-01-01R



锌合金, 镀锌钢或不锈钢销轴, 表面可做喷塑黑和电镀
zinc die, m. s. zinc plated or SUS pin, black powder coated or bright chrome

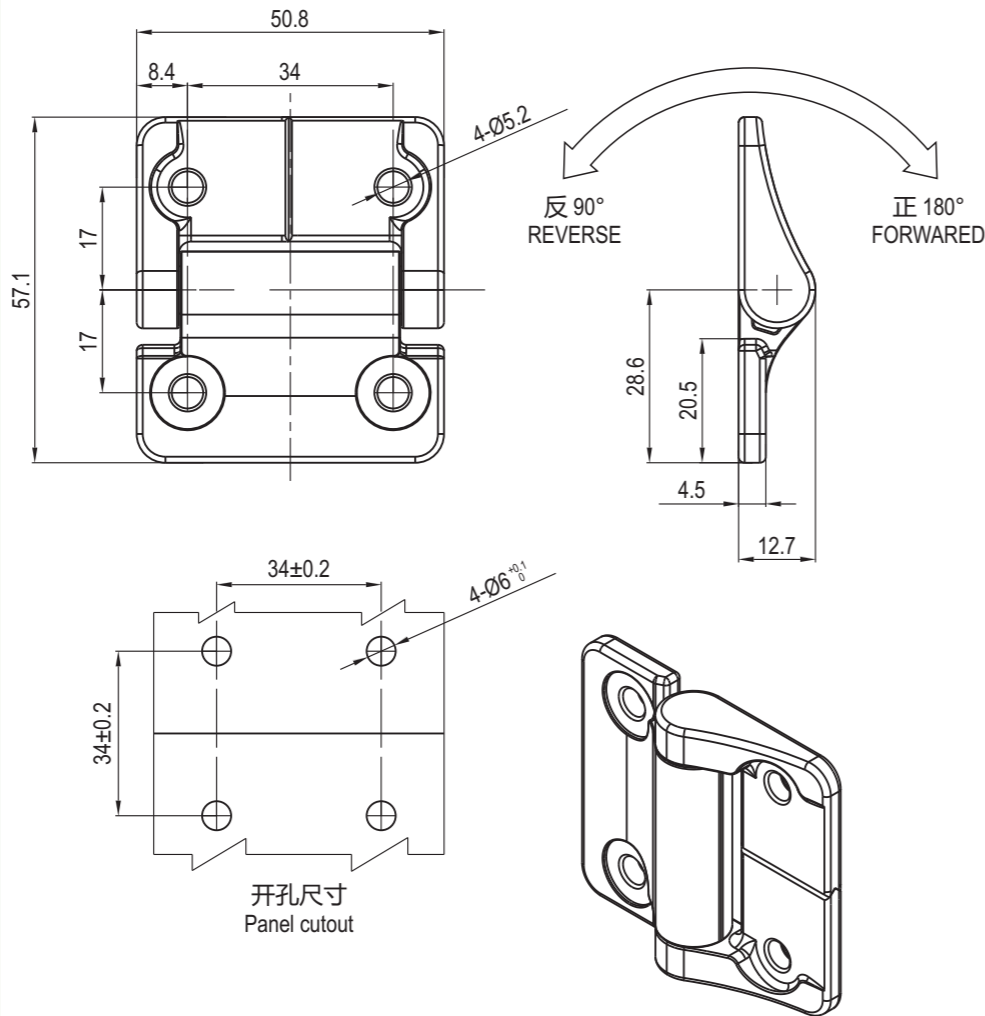
螺钉固定铰链 60X70 Screw-on Hinge 60X70		
表面处理 Finish	左装 Left	右装 Right
喷塑无光黑 Black Smooth Powder Coated	2115-76604-10L	2115-76604-10R
亮铬 Bright Chrome	2115-76604-30L	2115-76604-30R



黑色PA+GF 铰链、不锈钢销轴
Hinge polyamide GF 30% black, stainless steel pin

	螺钉固定铰链 Screw-on Hinge	2116-01-90
--	-----------------------	------------

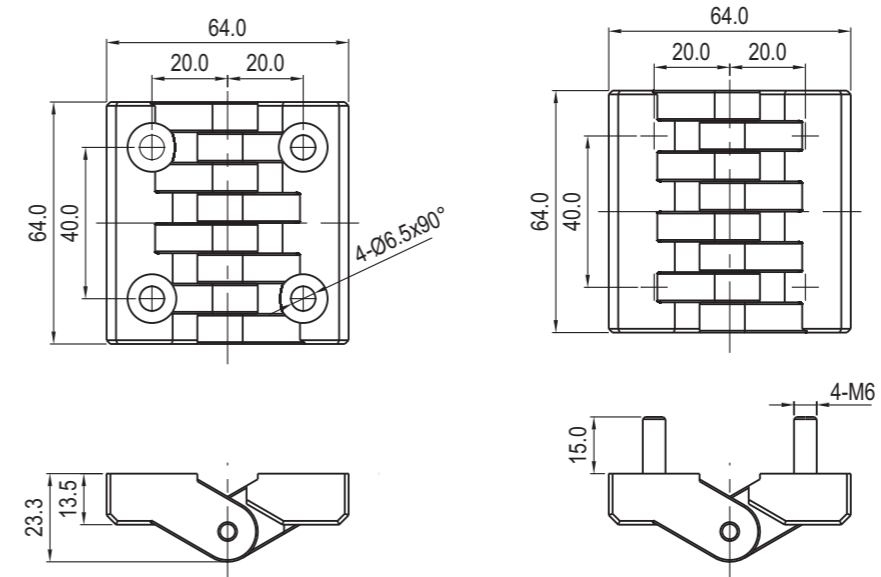




锌合金阻尼铰链，不锈钢销轴
Zinc screw-in torque hinge, SUS pin

对称扭矩 N.m Symmetric N.m			
	麻面黑 Black Textured Powder Coated	本色 Natural	
自由摆动 Free Operating	2118-100-20	2118-100-11	
1.8	2118-118-20	2118-118-11	
2.3	2118-123-20	2118-123-11	
3.4	2118-134-20	2118-134-11	
不对称扭矩 N.m Asymmetric N.m			
向前扭矩 N.m Forward Torque N.m	反向扭矩 N.m Reverse Torque N.m	麻面黑 Black Textured Powder Coated	本色 Natural
2.3	1.4	2118-123F-20	2118-123F-11
3.4	2.0	2118-134F-20	2118-134F-11
4.5	2.7	2118-145F-20	2118-145F-11
1.4	2.3	2118-114R-20	2118-114R-11
2.0	3.4	2118-120R-20	2118-120R-11
2.7	4.5	2118-127R-20	2118-127R-11

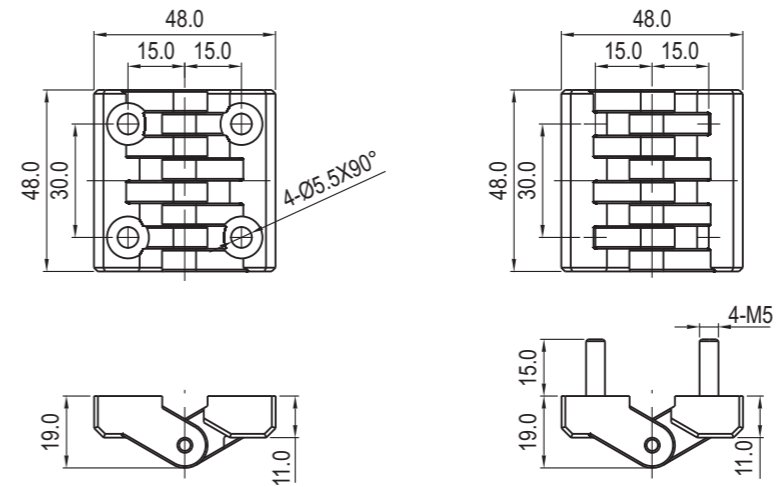
大型
Large size



黑色PA螺钉固定铰链，镀锌钢销轴
Screw-on hinge polyamide GF black, pin m.s. zinc plated

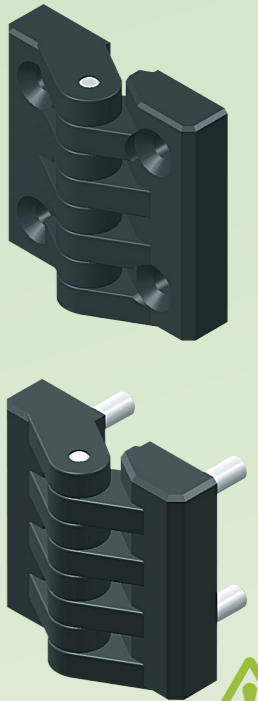
螺钉固定铰链64X64 Screw-on Hinge 64X64	
M6 沉头螺钉固定 Countersunk Screw M6	M6 镶嵌螺柱 With Threaded Studs M6
2120-640-90	2120-641-90

小型
Small size

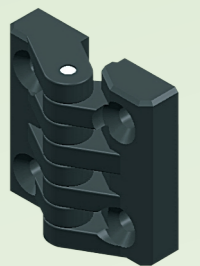


黑色PA螺钉固定铰链，镀锌钢销轴
Screw-on hinge polyamide GF black, pin m.s. zinc plated

螺钉固定铰链48X48 Screw-on Hinge 48X48	
M5 沉头螺钉固定 Countersunk Screw M5	M5 镶嵌螺柱 With Threaded Studs M5
2120-480-90	2120-481-90



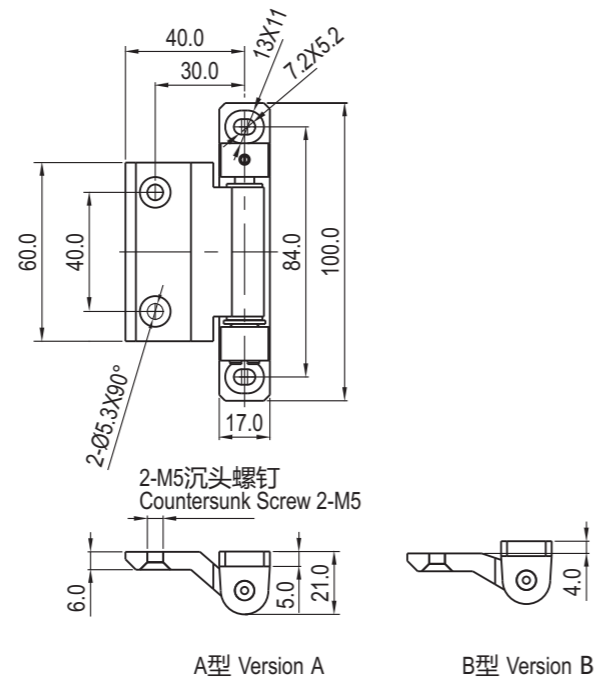
产品正在开发中
18年12月份开始供
Under development,
shall be available on
December, 2018.



产品正在开发中
18年12月份开始供
Under development,
shall be available on
December, 2018.

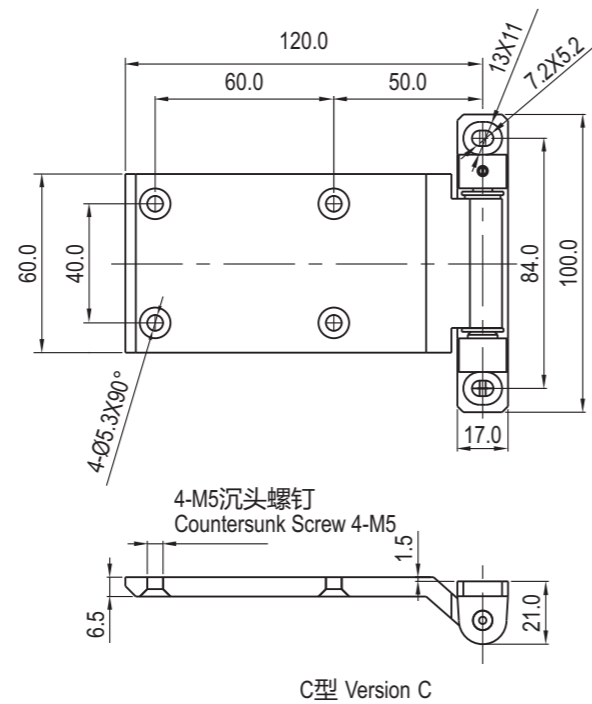


2121-ABC型



A型 Version A

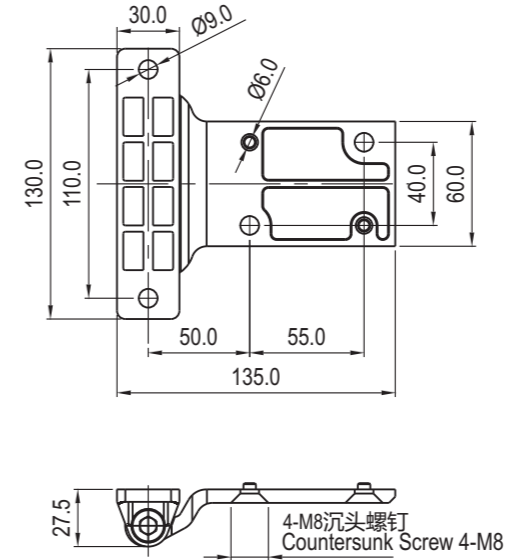
B型 Version B



C型 Version C

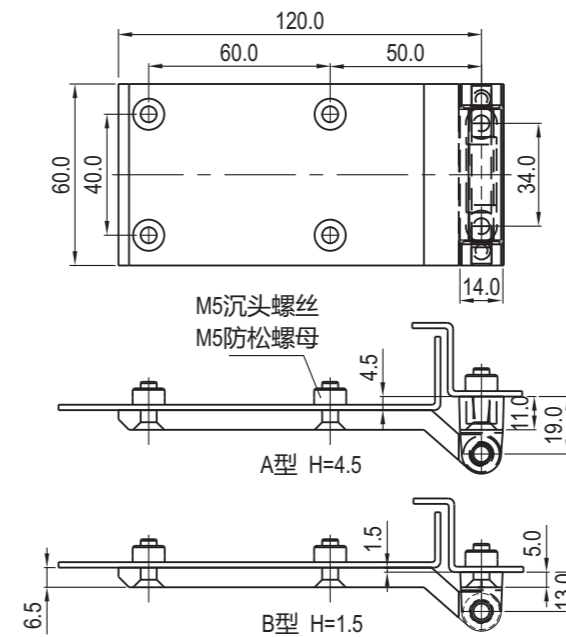
锌合金2D螺钉固定铰链, 镀镍黄铜销轴, 镀锌钢垫圈和PA衬套
2D screw-on hinge zinc die, shaft brass nickel plated; washer m.s. zinc plated and bush polyamide

表面处理 Finish	A型 Version A	B型 Version B	C型 Version C
麻面黑 Black textured Powder Coated	2121-01-20	2121-02-20	2121-03-20



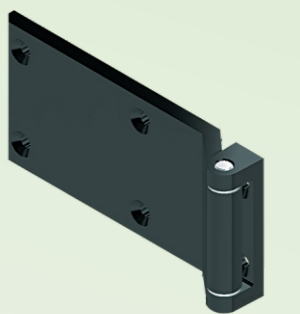
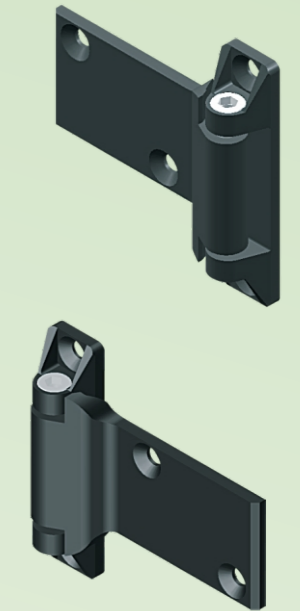
锌合金3D螺钉固定铰链, 不锈钢销轴和螺柱
3D-screw-on hinge zinc die, shaft and grub screw stainless steel

表面处理 Finish	左装 Left	右装 Right
麻面黑 Black textured Powder Coated	2122-01-20L	2122-01-20R

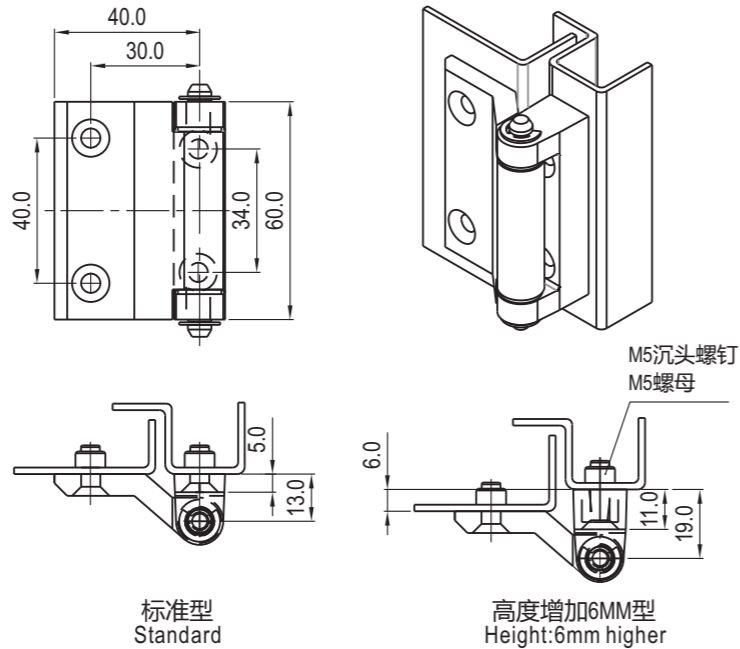
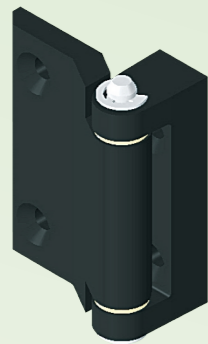
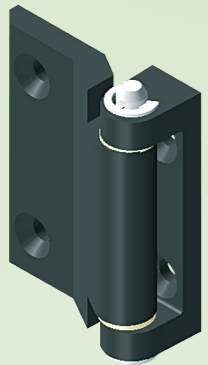
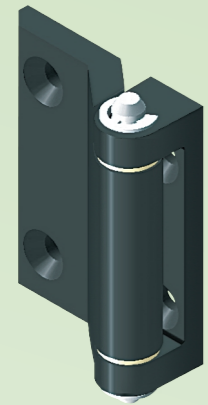


锌合金螺钉固定铰链, 不锈钢销轴, PA衬套
Screw-on hinge zinc die, pin stainless steel and bushes polyamide

表面处理 Finish	A型 Version A	B型 Version B
麻面黑 Black textured Powder Coated	2124-01-20	2124-02-20

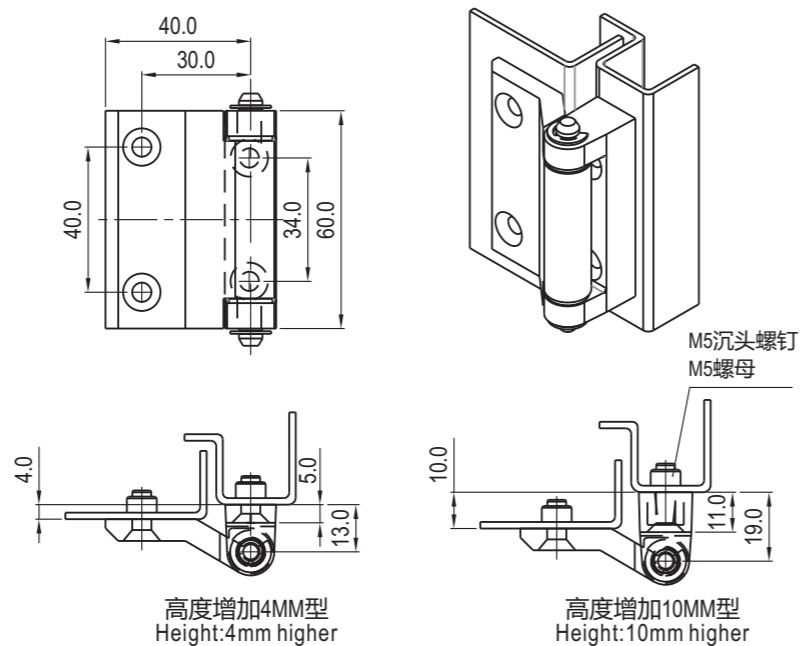


产品正在开发中
18年12月份开始供
Under development,
shall be available on
December, 2018.



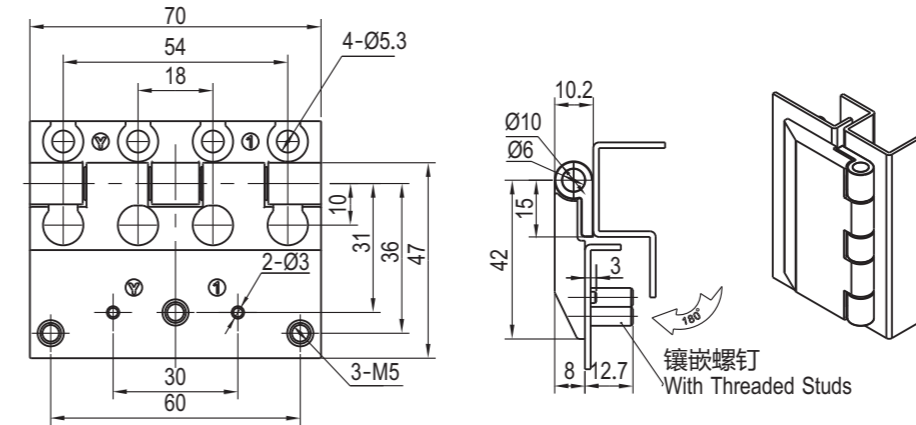
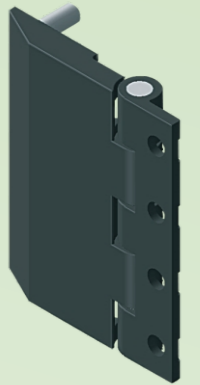
锌合金螺钉固定铰链，不锈钢销轴
Screw-on hinge zinc die,SUS pin

表面处理 Finish	标准型 U4.5 Level	高度增加 6MM 型 U27.28 6mm Higher
麻面黑 Black textured Powder Coated	2123-01-20	2123-02-20
亮铬 Bright Chrome	2123-01-30	2123-02-30
不锈钢 316 SUS 316	2123-01-316	



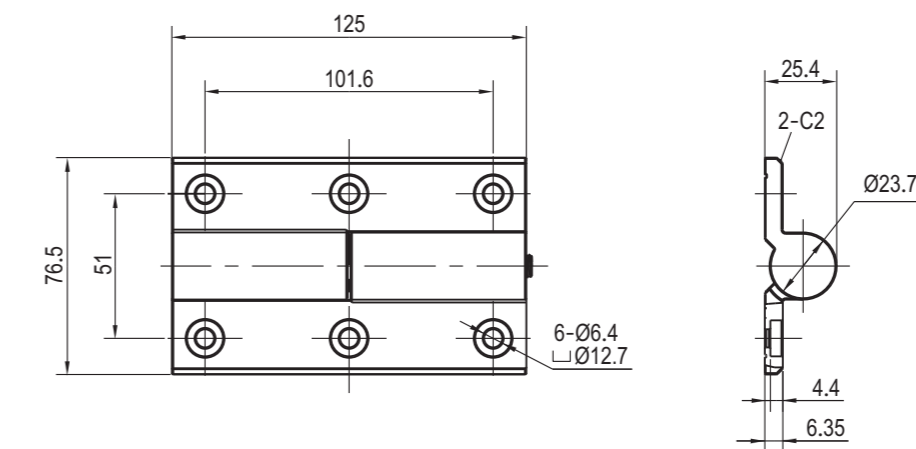
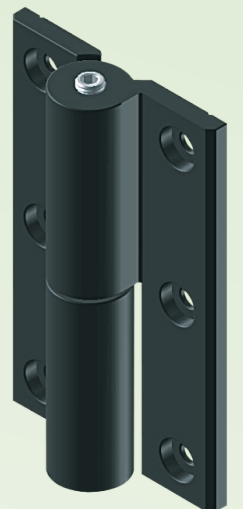
锌合金螺钉固定铰链，不锈钢销轴
Screw-on hinge zinc die,SUS pin

表面处理 Finish	高度增加 4MM 型 U7.10 4mm Higher	高度增加 10MM 型 U19.20 10mm Higher
麻面黑 Black textured Powder Coated	2123-03-20	2123-04-20
亮铬 Bright Chrome	2123-03-30	2123-04-30



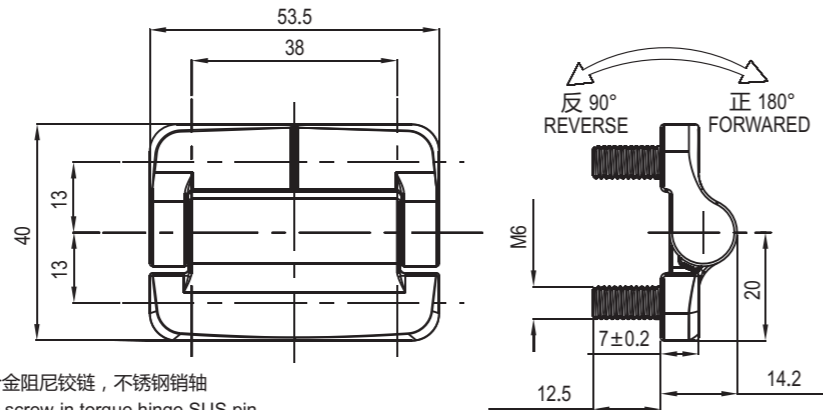
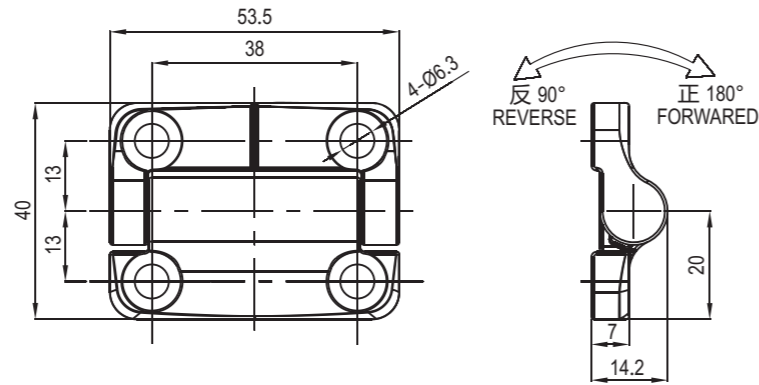
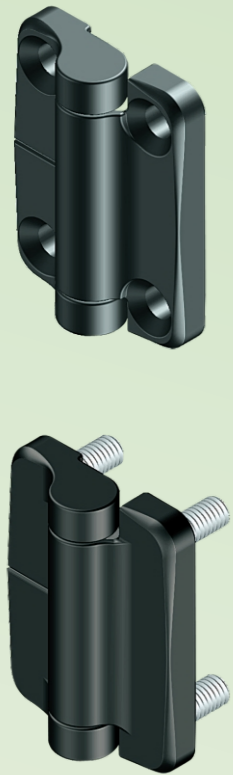
锌合金，不锈钢销轴和螺柱，表面处理可做喷塑麻面黑或纳米喷漆（银亚光）
Zinc die,SUS pin and with threaded studs,black textured powder coated or NM spray painting (matte silver)

表面处理 Finish	M5镶嵌螺钉 With Threaded Studs M5
喷塑麻面黑 Black Textured Powder Coated	2125-701-20
纳米喷漆(银亚光) NM spray painting (matte silver)	2125-701-52



锌合金，不锈钢销轴和螺丝，表面处理可做无光黑或麻面灰RAL7005
Zinc die,SUS pin and screw,black smooth powder coated or grey textured powder coated RAL7005

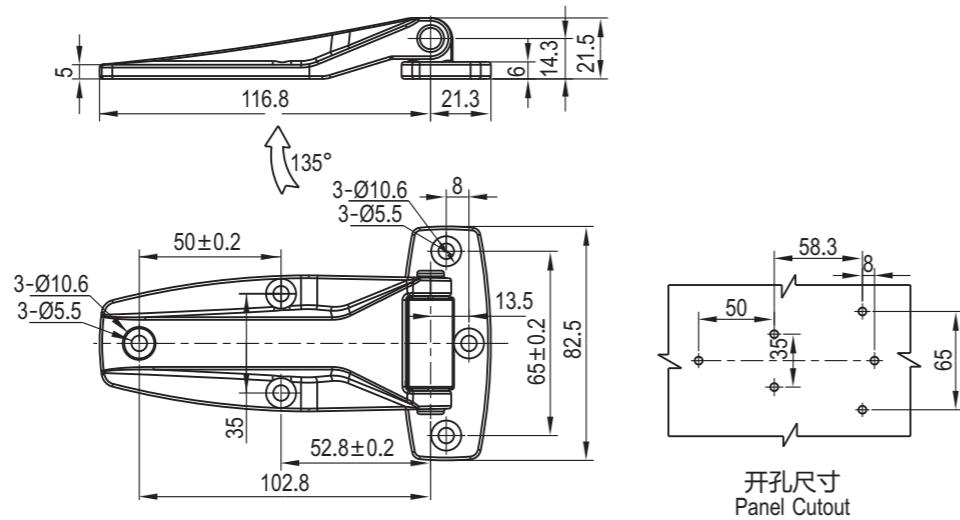
表面处理 Finish	M6沉头螺钉 Countersunk Screw-on Hinge M6	
	左装 Left Handle	右装 Right Handle
喷塑无光黑 Black Smooth Powder Coated	2126-765-10L	2126-765-10R
麻面灰 RAL7005 Powder Coated RAL7005	2126-765-53L	2126-765-53R



锌合金阻尼铰链, 不锈钢销轴
Zinc screw-in torque hinge, SUS pin

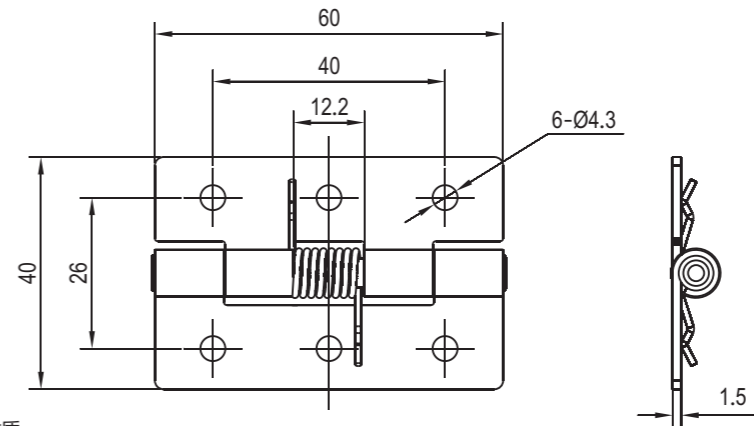
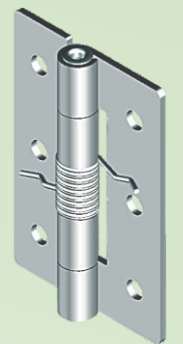
对称扭矩	沉孔型 Screw-on Hinge	M6镶嵌螺柱型 With Threaded Studs M6
		麻面黑 Black Textured Powder Coted
1.8	2127-5180-20	2127-5181-20
2.3	2127-5230-20	2127-5231-20
3.4	2127-5340-20	2127-5341-20

NEW



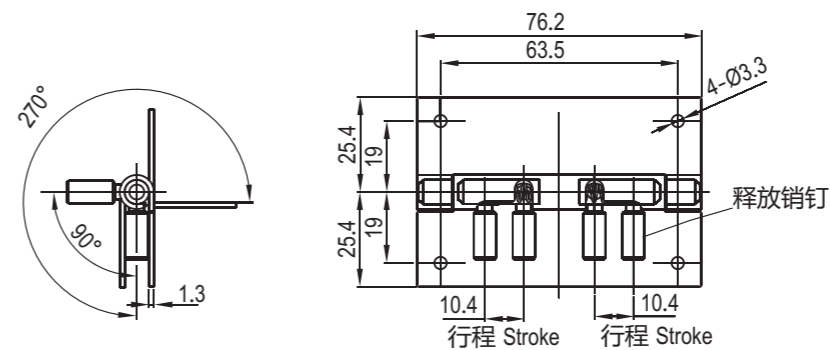
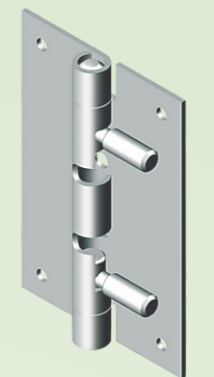
锌合金, 亚光黑或亮铬, 不锈钢销轴
Zinc die, Black smooth powder coated Bright Chrome, SUS pin

材质 Material	表面处理 Finish	
锌合金 Zinc die	亚光黑 Black Powder Coated	2137-830-10
	亮铬 Bright Chrome	2137-830-30



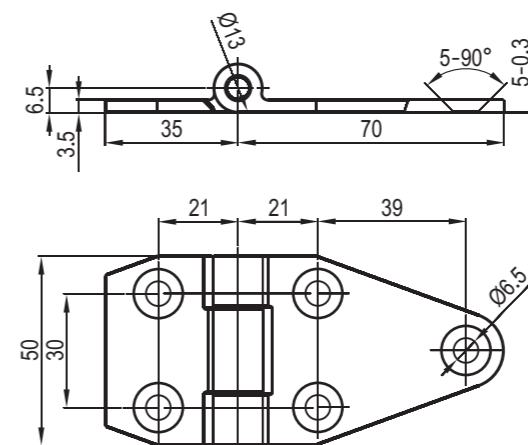
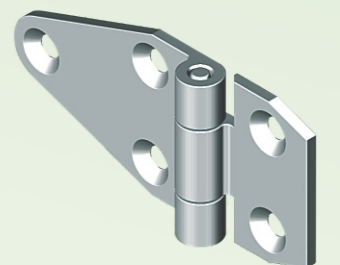
全不锈钢304材质
SUS304 Material

不锈钢304 SUS304	2128-600-304
---------------	--------------



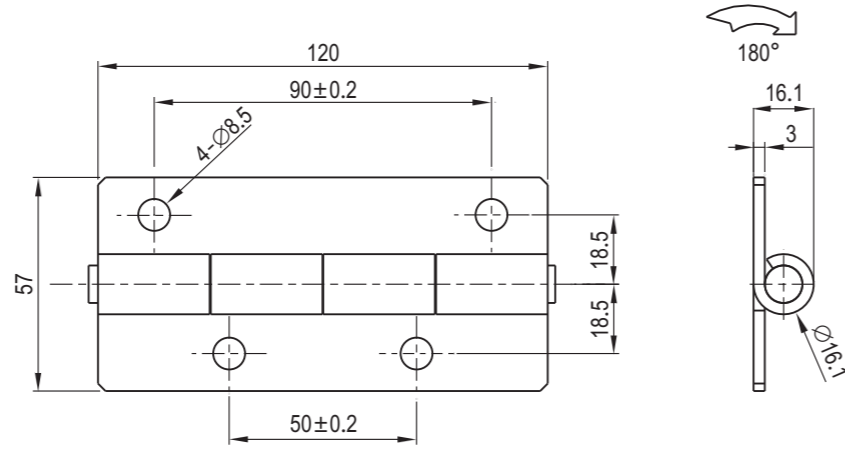
镀锌钢或不锈钢304材质
M.S.Zinc plated or stainless steel

不锈钢304 SUS304	镀锌钢 Steel
2129-762-304	2129-762-01



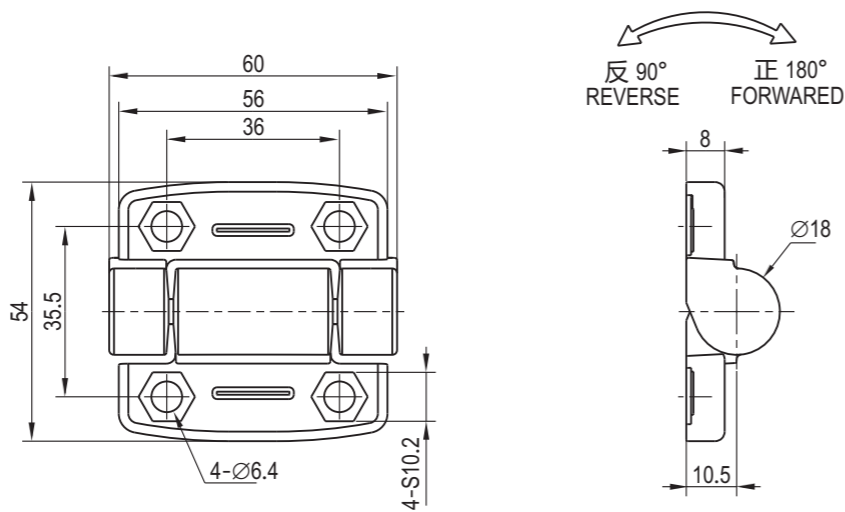
铸钢 Steel casting, zinc plated

铸钢 Steel casting, zinc plated	2132-500-01
-------------------------------	-------------



全不锈钢304材质
SUS304 Material

不锈钢304 SUS304	2133-120-304
---------------	--------------



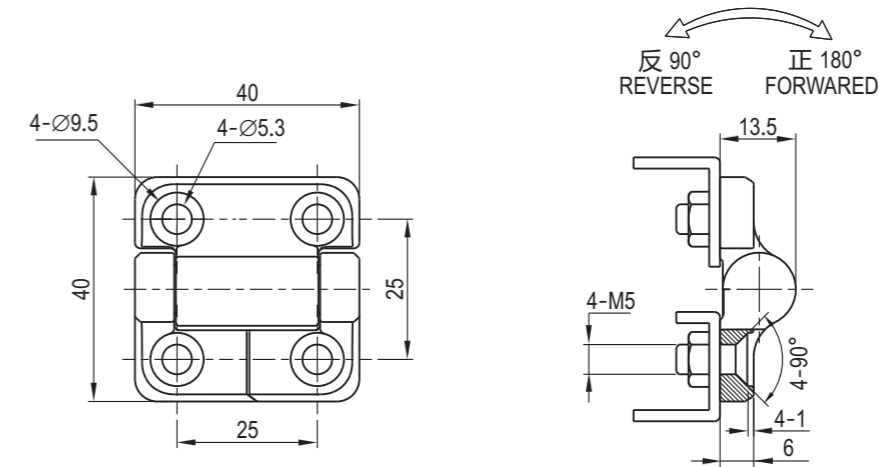
PA6+30%GF,黑色,轴承钢。
PA6+30%GF Black, bearing steel

不对称扭矩 N.m Asymmetric N.m		
正向扭矩 N.m Forward Torque N.m	反向扭矩 N.m Reverse Torque N.m	塑料黑色 PA Black
2.3	0.3	2135-6023F-90
0.3	2.3	2135-6003R-90

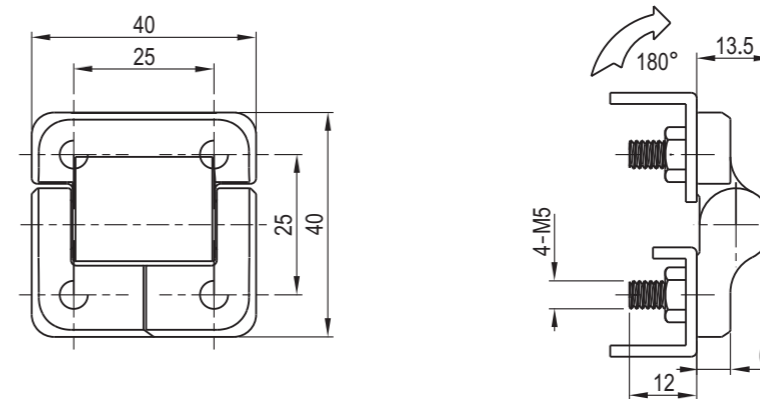
注：
1.动/静铰链相对转动具阻尼力，力值范围允许±20%；
2.寿命试验次数数据：20000次；

Technical requirements:
1.Within 20% of torque specifacaton ;
2.Within 20,000 cycles static torque stay ;

M5 沉头螺钉固定 Countersunk Screw M5



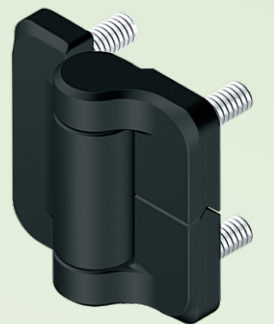
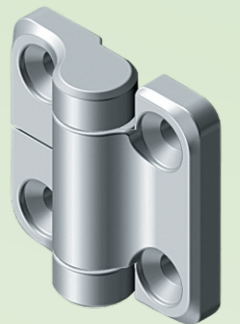
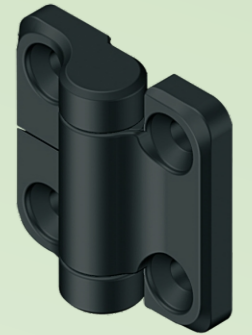
M5 镶嵌螺柱 With Threaded Studs M5



锌合金阻尼铰链，不锈钢销轴
Zinc screw-in torque hinge,SUS pin

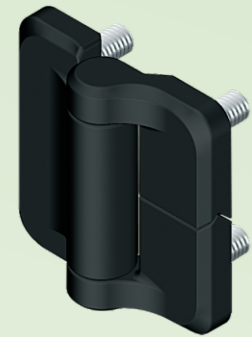
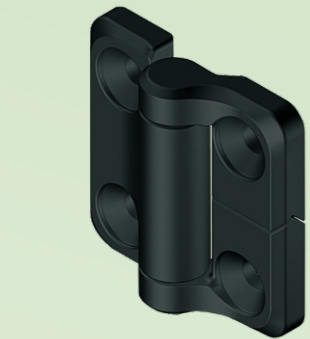
对称扭矩 N.m Symmetric N.m

	麻面黑 Black Textured Powder Coated	
	M5 沉头螺钉固定 Countersunk Screw M5	M5 镶嵌螺柱 With Threaded Studs M5
自由摆动 Free Operating	2136-4000-20	2136-4100-20
0.9	2136-4009-20	2136-4109-20
1.4	2136-4014-20	2136-4114-20
1.8	2136-4018-20	2136-4118-20
2.3	2136-4023-20	2136-4123-20

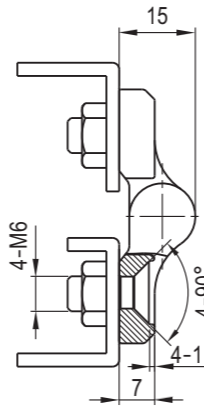
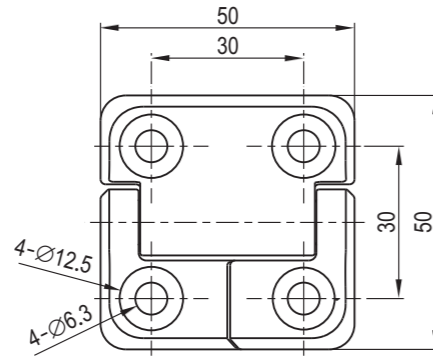


注：
寿命试验次数数据：25000次

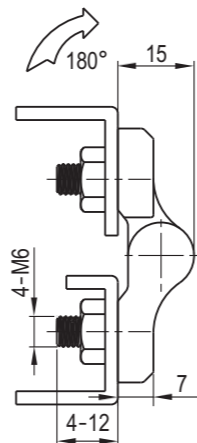
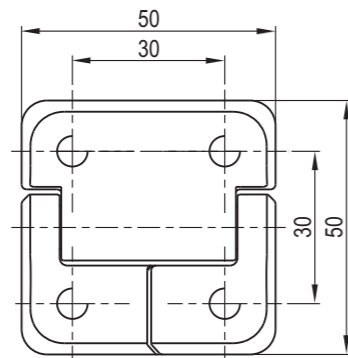
CYCLE LIFE:
Within 25,000 cycles static torque stay
Within±20% of torque specifacaton.



M6 沉头螺钉固定 Countersunk Screw M6



M6 镶嵌螺柱 With Threaded Studs M6



锌合金阻尼铰链，不锈钢销轴
Zinc screw-in torque hinge, SUS pin

对称扭矩 N.m Symmetric N.m

	麻面黑 Black Textured Powder Coated	
	M6 沉头螺钉固定 Countersunk Screw M6	M6 镶嵌螺柱 With Threaded Studs M6
自由摆动 Free Operating	2136-5000-20	2136-5100-20
1.8	2136-5018-20	2136-5118-20
2.3	2136-5023-20	2136-5123-20
3.4	2136-5034-20	2136-5134-20

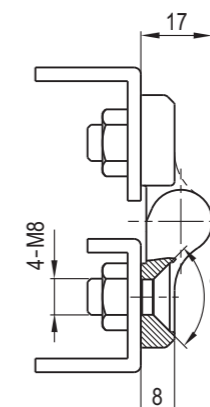
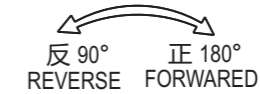
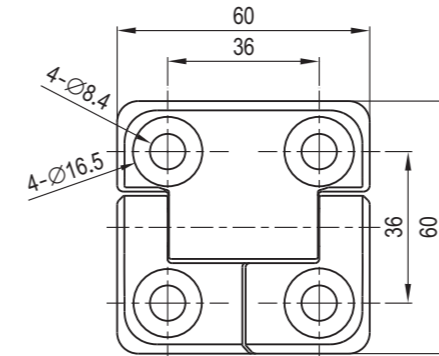
不对称扭矩 N.m Asymmetric N.m

向前扭矩 N.m Forward Torque N.m	反向扭矩 N.m Reverse Torque N.m	麻面黑 Black Textured Powder Coated	
		M6 沉头螺钉固定 Countersunk Screw M6	M6 镶嵌螺柱 With Threaded Studs M6
2.3	1.4	2136-5023F-20	2136-5123F-20
3.4	2.0	2136-5034F-20	2136-5134F-20
4.5	2.7	2136-5045F-20	2136-5145F-20
1.4	2.3	2136-5014R-20	2136-5114R-20
2.0	3.4	2136-5020R-20	2136-5120R-20
2.7	4.5	2136-5027R-20	2136-5127R-20

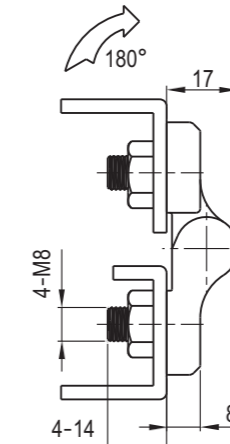
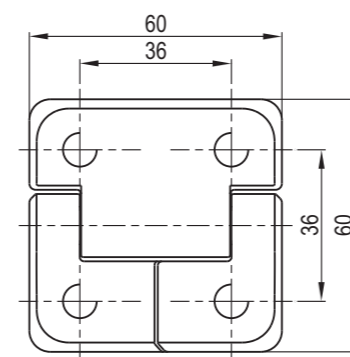
注：
寿命试验次数数据：25000次

CYCLE LIFE:
Within 25,000 cycles static torque stay
Within ±20% of torque specification.

M8 沉头螺钉固定 Countersunk Screw M8



M8 镶嵌螺柱 With Threaded Studs M8



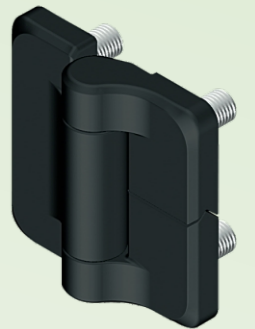
锌合金阻尼铰链，不锈钢销轴
Zinc screw-in torque hinge, SUS pin

对称扭矩 N.m Symmetric N.m

	麻面黑 Black Textured Powder Coated	
	M8 沉头螺钉固定 Countersunk Screw M8	M8 镶嵌螺柱 With Threaded Studs M8
自由摆动 Free Operating	2136-6000-20	2136-6100-20
1.36	2136-6013-20	2136-6113-20
2.26	2136-6022-20	2136-6122-20
3.16	2136-6031-20	2136-6131-20
4.07	2136-6040-20	2136-6140-20

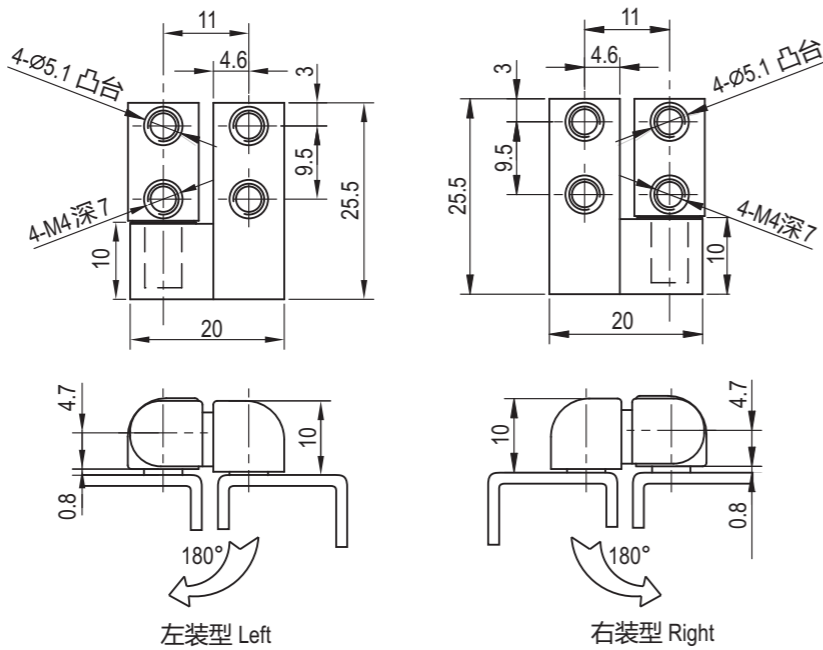
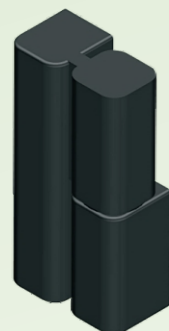
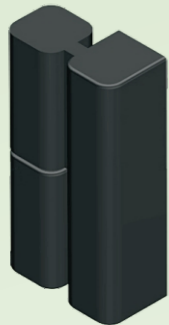
不对称扭矩 N.m Asymmetric N.m

向前扭矩 N.m Forward Torque N.m	反向扭矩 N.m Reverse Torque N.m	麻面黑 Black Textured Powder Coated	
		M8 沉头螺钉固定 Countersunk Screw M8	M8 镶嵌螺柱 With Threaded Studs M8
2.3	1.4	2136-6023F-20	2136-6123F-20
3.2	1.9	2136-6032F-20	2136-6132F-20
4.1	2.4	2136-6041F-20	2136-6141F-20
5	3	2136-6050F-20	2136-6150F-20
1.4	2.3	2136-6014R-20	2136-6114R-20
1.9	3.2	2136-6019R-20	2136-6119R-20
2.4	4.1	2136-6024R-20	2136-6124R-20
3	5	2136-6030R-20	2136-6130R-20



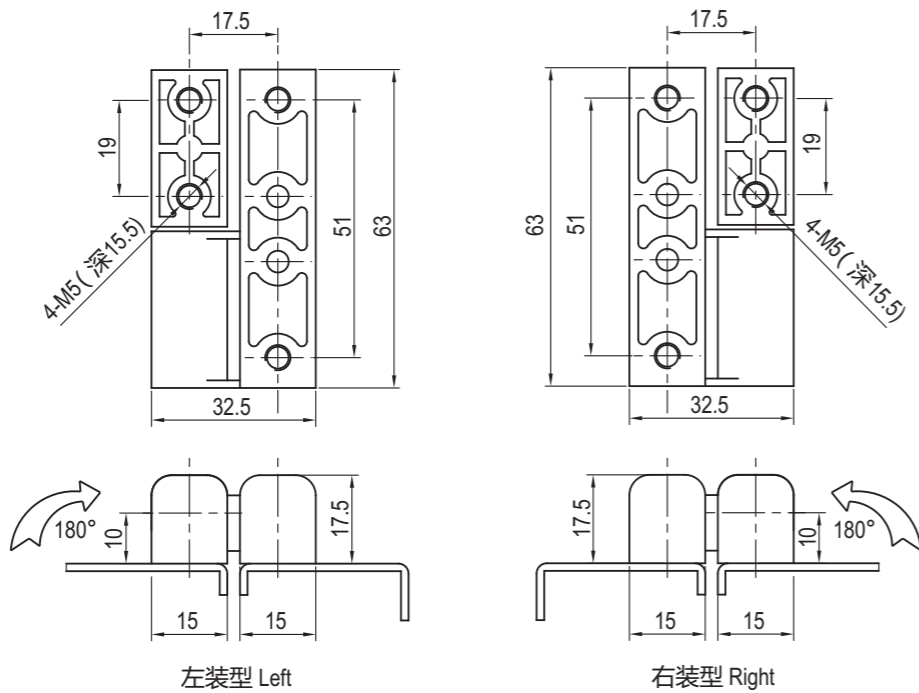
注：
寿命试验次数数据：25000次

CYCLE LIFE:
Within 25,000 cycles static torque stay
Within ±20% of torque specification.



锌合金, 表面喷塑
Zinc die, black powder coated

螺丝孔, Screw Hole M4		螺丝孔, Screw Hole 6-32	
A型(左装) Version A(Left)	B型(右装) Version B(Right)	A型(左装) Version A(Left)	B型(右装) Version B(Right)
2201-141	2201-142	2201-111	2201-112

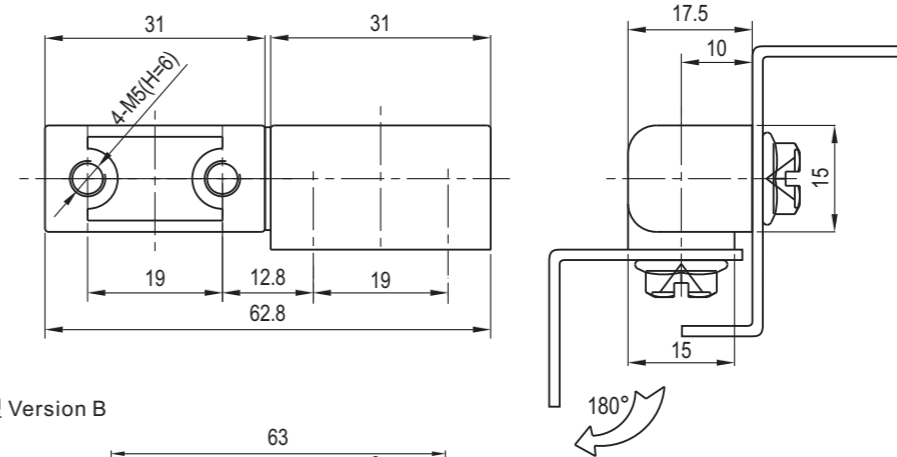


锌合金, 表面可做喷塑黑和电镀亮铬
Zinc die, black powder coated or bright chrome

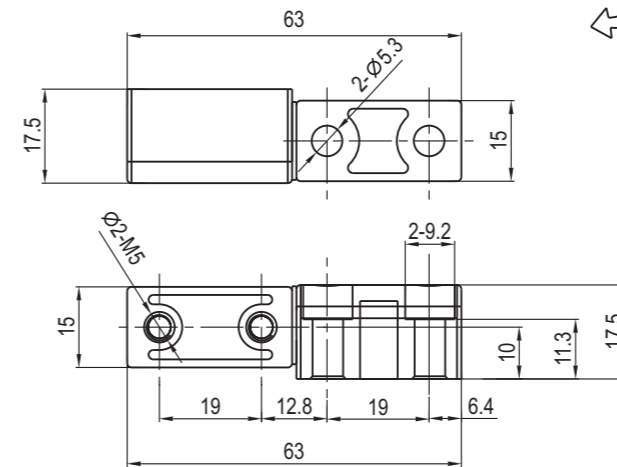
可定制 10-32
10-32 thread is on request

	喷塑黑 Black Powder Coated	亮铬 Bright Chrome
Version A (Left) A型(左装)	2201-510-10	2201-510-30
Version B (Right) B型(右装)	2201-520-10	2201-520-30

A型 Version A

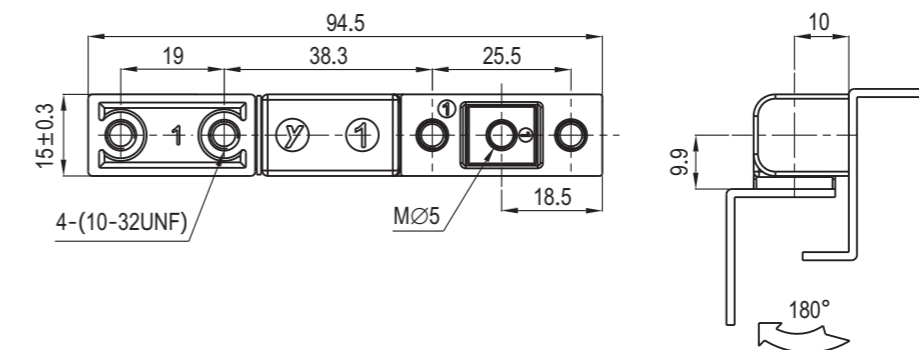


B型 Version B



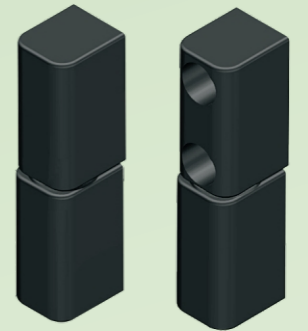
锌合金, 表面可做喷塑黑和电镀亮铬
Zinc die, black powder coated or bright chrome

	喷塑黑 Black Powder Coated	亮铬 Bright Chrome
Version A A型	2201-500-10	2201-500-30
Version B B型	2201-501-10	2201-501-30



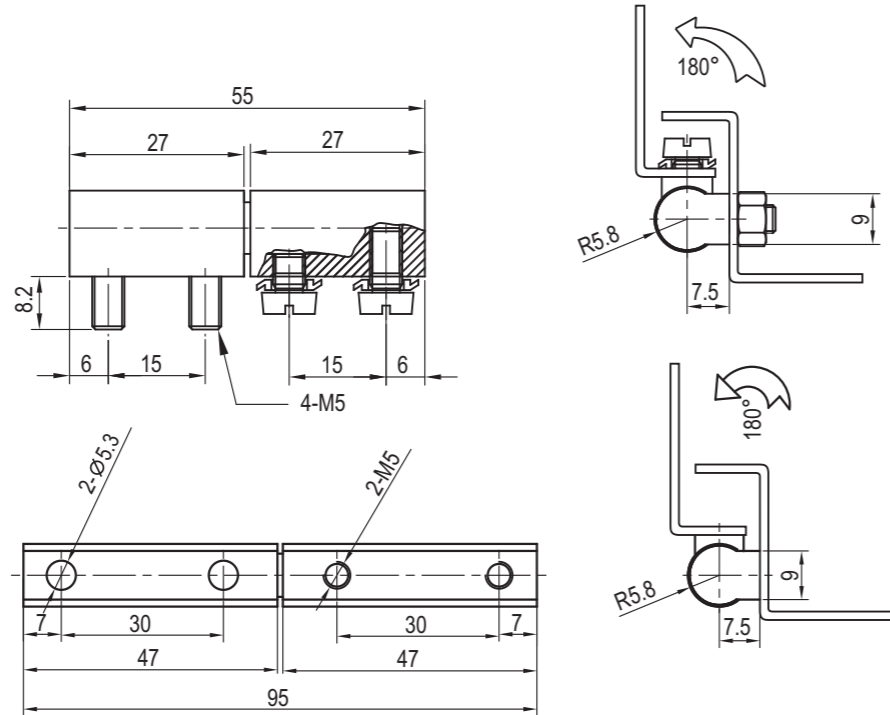
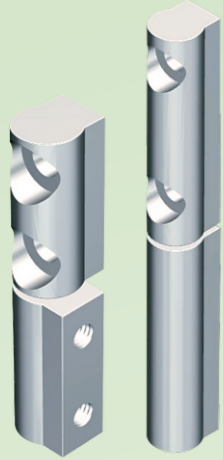
锌合金, 表面可做喷塑黑和电镀亮铬
Zinc die, black powder coated or bright chrome.

安装方式 Install Style	安装方式 Install Style	喷塑黑 Black Powder	亮铬 Bright Chrome
正面固定 Front-mount Hinge	螺孔 Tapped Hole	2201-572-20	2201-572-30
隐藏式固定 Concealed-mount	通孔 Thru hole	2201-570-220	2201-570-230
	M5X0.8 Hinge 10-32	2201-570-120	2201-570-130



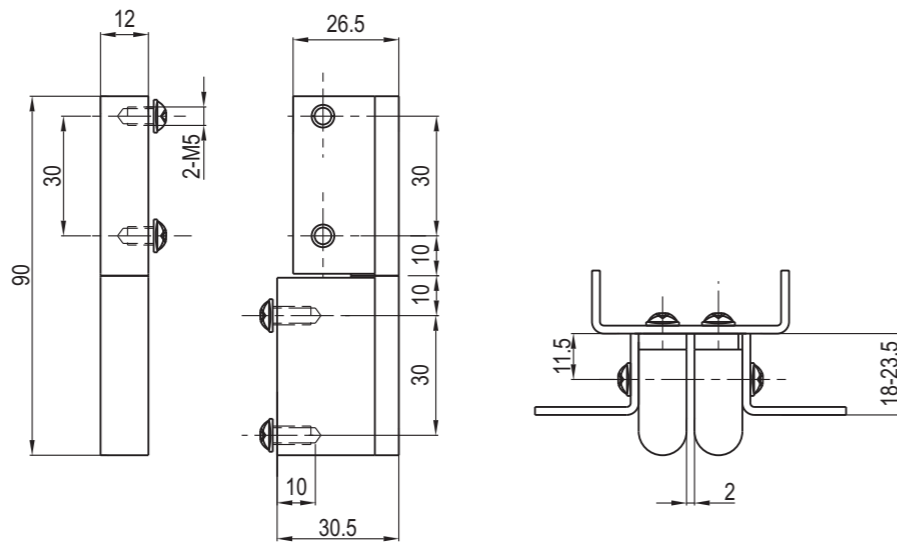
可拆铰链 Lift-off Hinge

产品系列：2204、2206



镀锌钢，不锈钢盖
M.S. zinc plated, SUS cover

长度 Length	
L=55	2204-55
L=95	2204-95



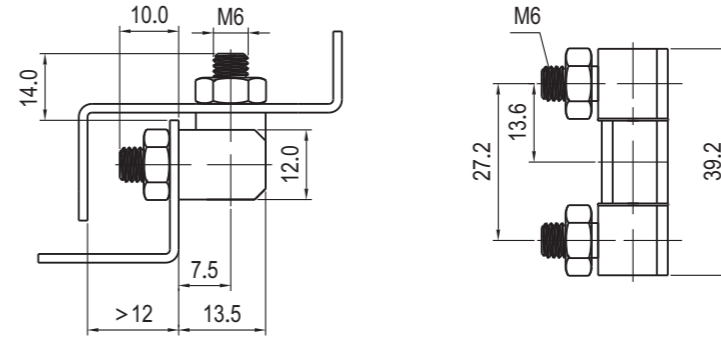
锌合金，镀锌钢或不锈钢销轴，表面可做喷塑黑 和电镀亮铬
Zinc die, black powder coated or bright chrome, m.s. zinc plated or SUS pin.

麻面黑 Black Textured Powder Coated	亮铬 Bright Chrome
2206-20	2206-30

可拆铰链 Lift-off Hinge

产品系列：2207

小型 Small size



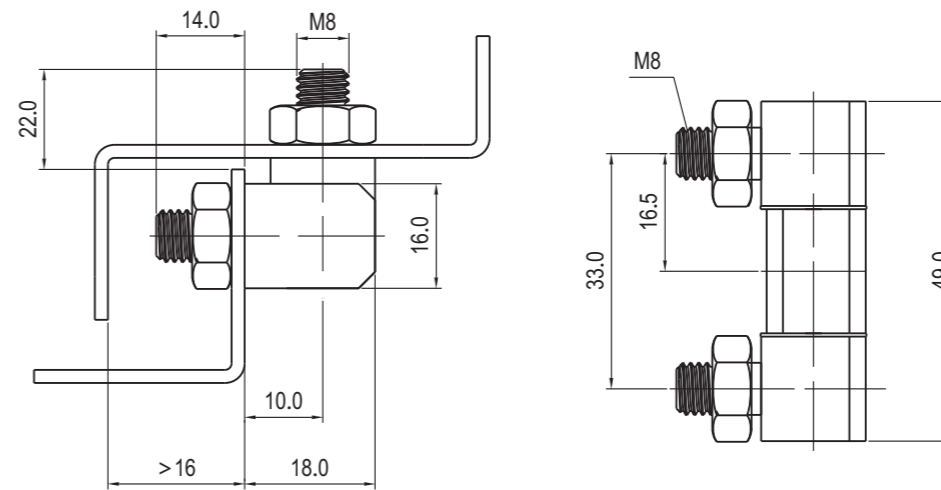
两节
Two Joints

三节
Three Joints

不锈钢或镀锌钢
Stainless steel or m.s. zinc plated

款式 Version	长度 L	不锈钢 Stainless steel	镀锌钢 Steel
两节 Two Joints	L=25.6	2207-256-304	2207-256-01
三节 Three Joints	L=39.2	2207-392-304	2207-392-01

大型 Large size

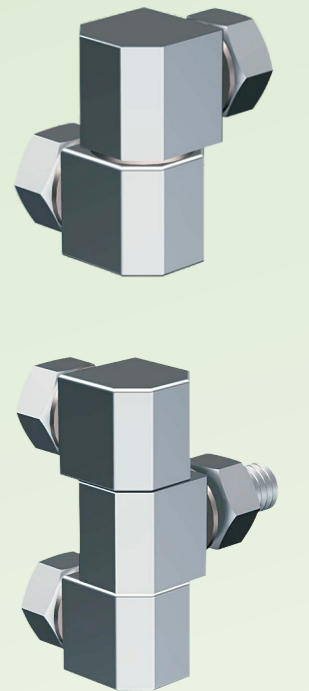
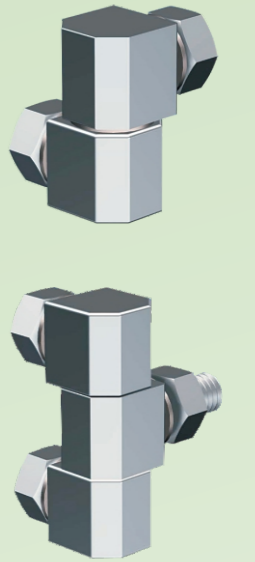


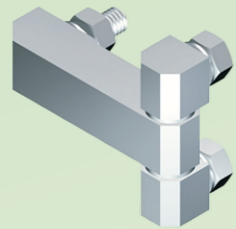
两节
Two Joints

三节
Three Joints

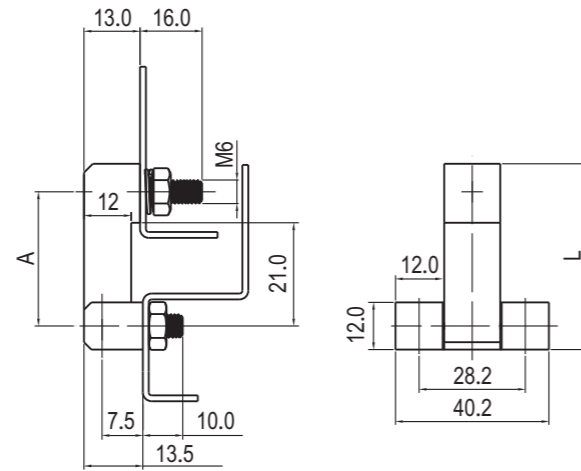
不锈钢或镀锌钢
Stainless steel or m.s. zinc plated

款式 Version	长度 L	不锈钢 Stainless steel	镀锌钢 Steel
两节 Two Joints	L=32.5	2207-325-304	2207-325-01
三节 Three Joints	L=49	2207-490-304	2207-490-01

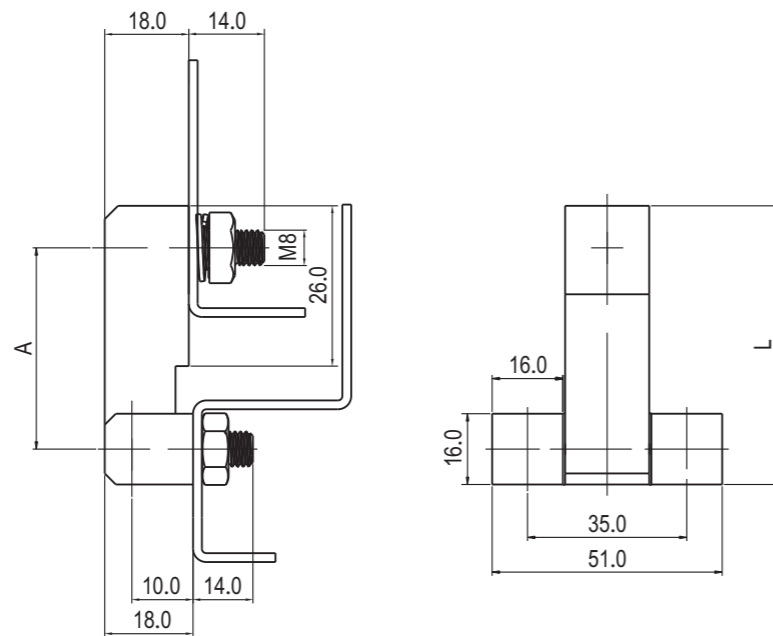




小型 Small size

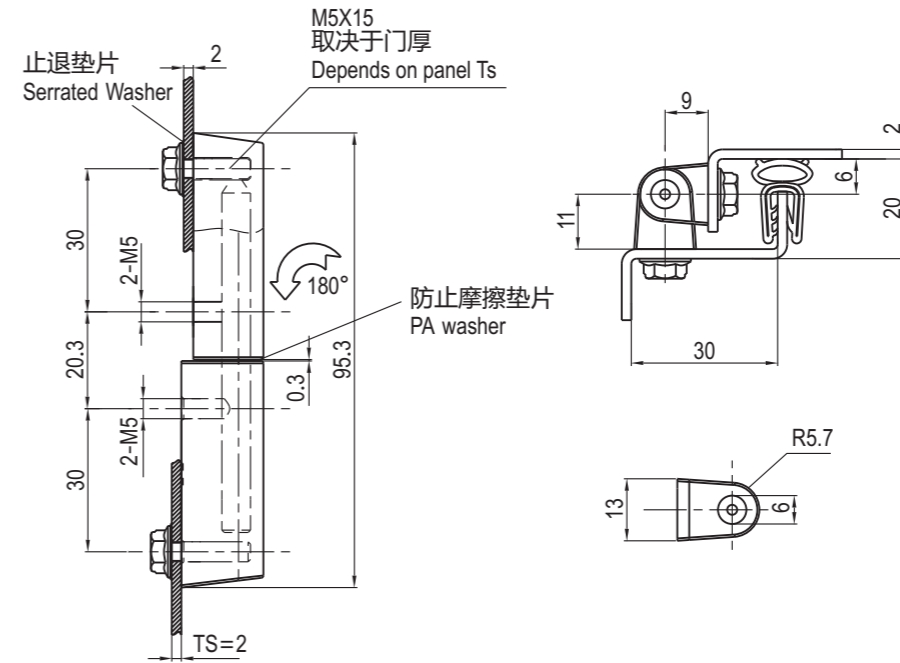
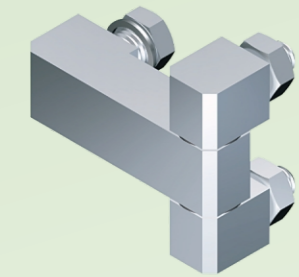


大型 Large size



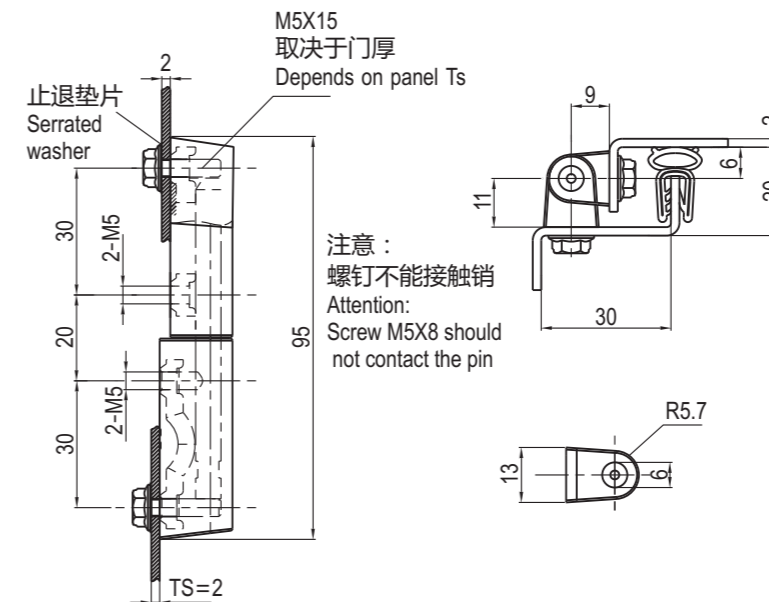
不锈钢或镀锌钢
Stainless steel or m.s. zinc plated

款式 Version	长度 L	A	不锈钢 Stainless steel	镀锌钢 Steel	
小型 Small size	三节 Three Joints	L=45	30	2207-4530-304	2207-4530-01
		L=53	38	2207-5338-304	2207-5338-01
大型 Large Size	三节 Three Joints	L=50	29	2207-5029-304	2207-5029-01
		L=61	40	2207-6140-304	2207-6140-01



锌合金, 镀锌钢或不锈钢销轴, 表面可做喷塑黑 和电镀亮铬
Zinc die, black powder coated or bright chrome, m.s. zinc plated or SUS pin.

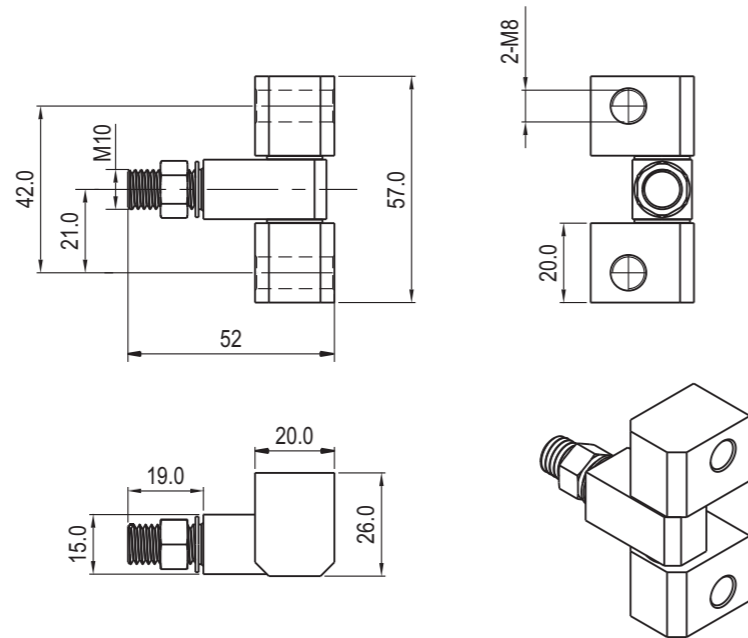
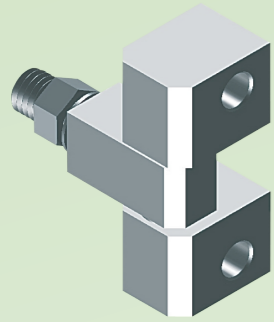
麻面黑 Black Textured Powder Coated	亮铬 Bright Chrome
2208-20	2208-30



黑色PA GF30%, 未处理钢镶嵌件, 不锈钢销轴
Black PA GF30% body, untreated steel fully molded-in, stainless steel pin

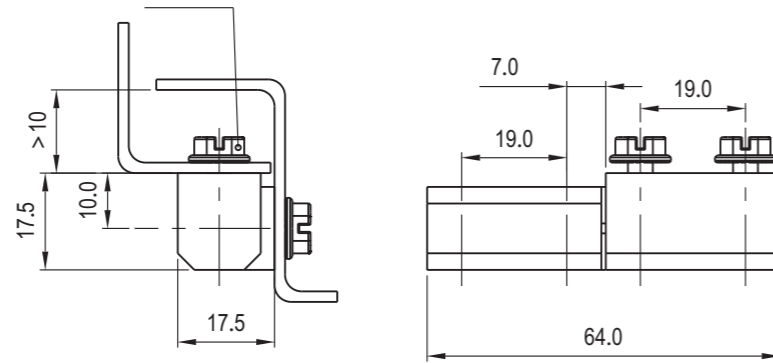
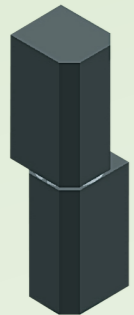
2208-PA





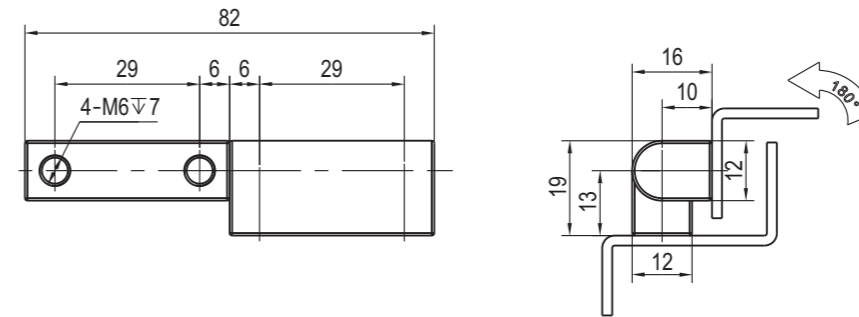
不锈钢或镀锌钢
Stainless steel or m.s. zinc plated

款式 Version	长度 Length	不锈钢 Stainless Steel	镀锌钢 Steel
三节 Three Joints	L=57.0	2210-570-304	2210-570-01



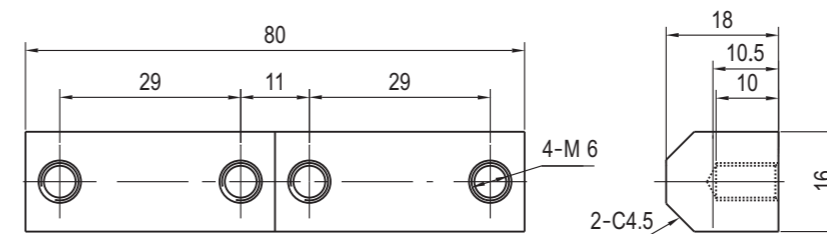
锌合金镀锌钢或不锈钢销轴，表面可做喷塑或电镀亮铬。
zinc die, m.s. zinc plated or sus pin, black powder coated or bright chrome

表面处理 Finish	沉头螺钉 Countersunk Screw
喷塑黑 Black Powder Coated	2211-500-10
亮铬 Bright Chrome	2211-500-30
不锈钢 316 SUS 316	2211-500-316



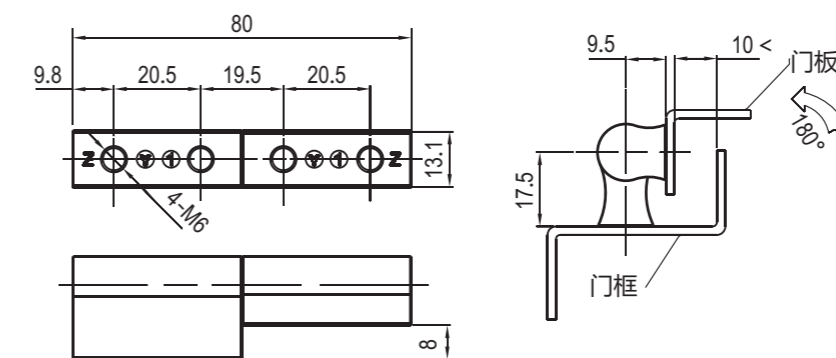
全不锈钢材质
SUS material

中心距 Center Distance	
L=29	2213-29-304



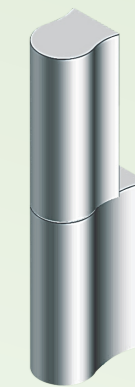
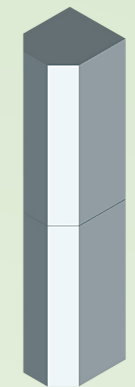
全不锈钢材质
SUS material

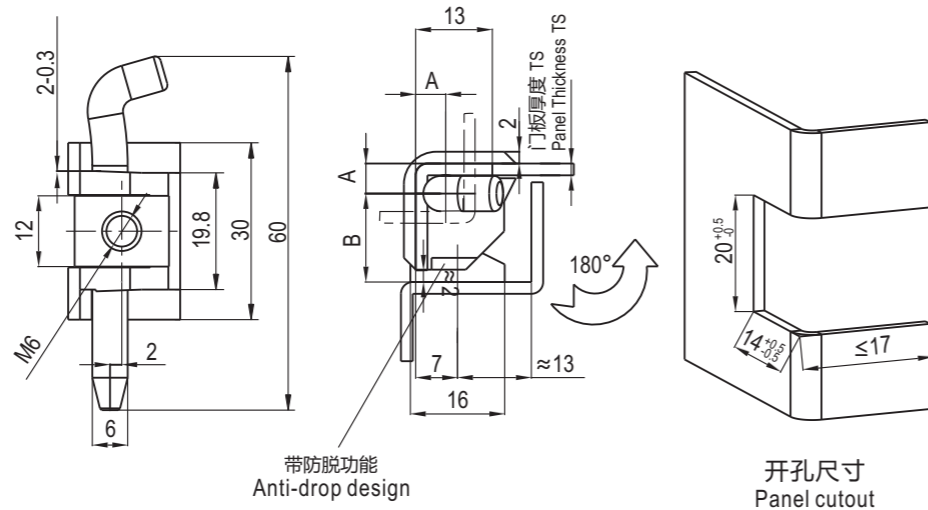
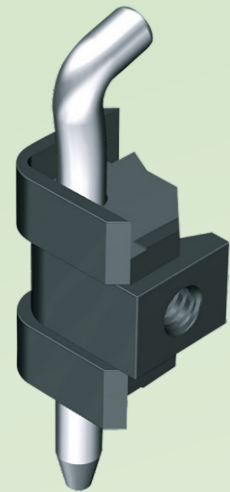
长度 Length	
L=80	2214-800-316



锌合金铰链镀亮铬, 铁销轴镀镍, 可做全不锈钢材质
Zinc die, bright chrome, nickel plated pin, or full stainless steel

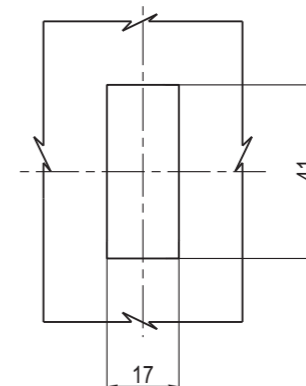
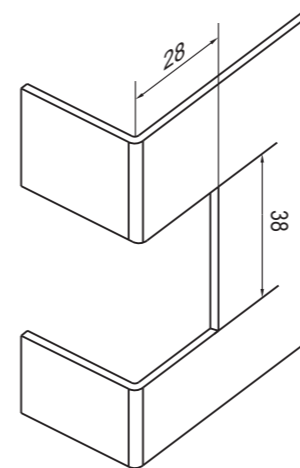
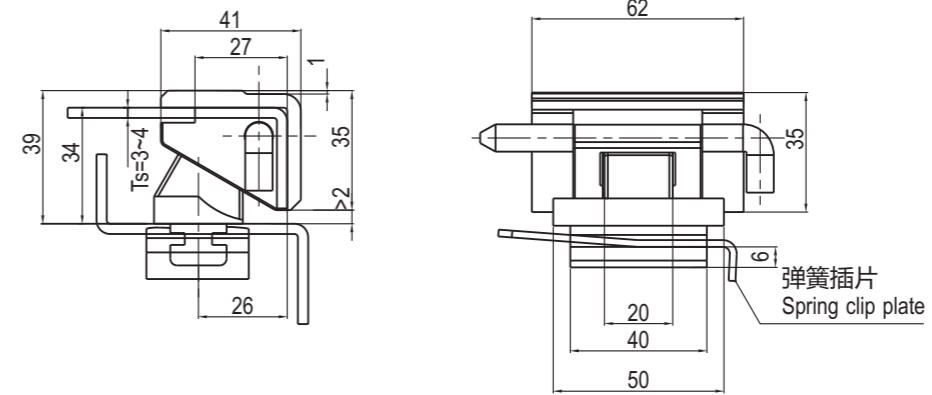
电镀亮铬 Bright Chrome	不锈钢 316 SUS316
2215-800-30	2215-800-316





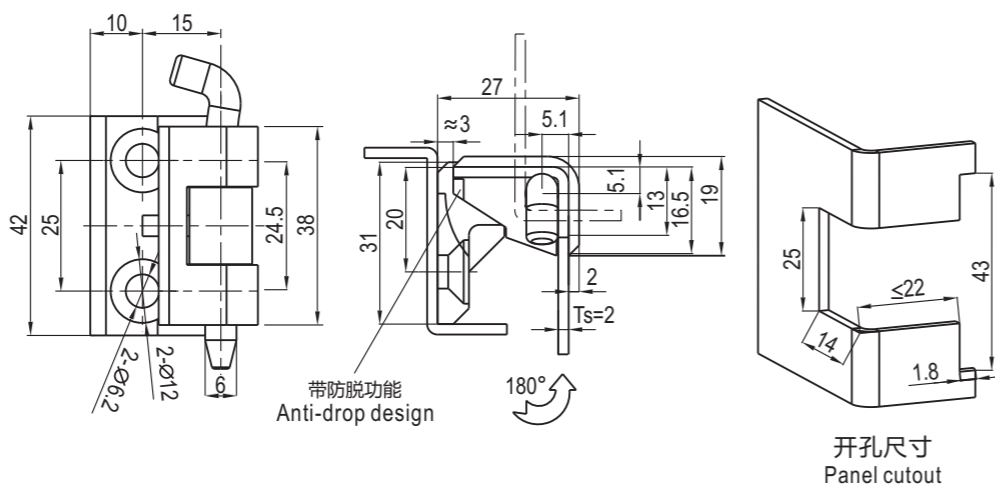
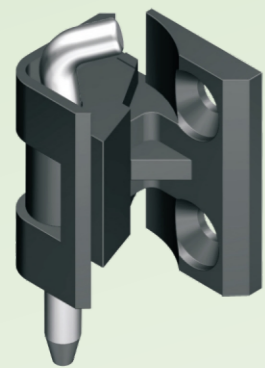
锌合金，镀锌钢或不锈钢销轴，表面可做喷塑黑和电镀亮铬
Zinc die, m.s. zinc plated or SUS pin, black textured powder coated or bright chrome

门板厚度 TS Panel Thickness TS	A	B	喷塑黑 Black Powder Coated	亮铬 Bright Chrome
1.5	4.6	15	2305-15-20	2305-15-30
2.0	5.1	15	2305-20-20	2305-20-30
1.5	4.6	17	2305-1517-20	2305-1517-30
2.0	5.1	17	2305-2017-20	2305-2017-30
1.5	4.6	19	2305-1519-20	2305-1519-30
2.0	5.1	19	2305-2019-20	2305-2019-30



开孔尺寸
Panel cutout

开孔尺寸
Panel cutout

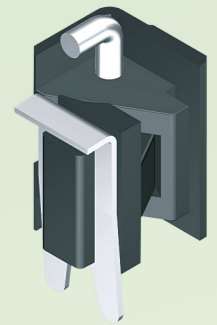
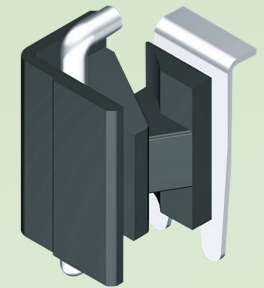


锌合金，镀锌钢或不锈钢销轴，表面可做喷塑黑和电镀亮铬
Zinc die, m.s. zinc plated or SUS pin, black textured powder coated or bright chrome

门板厚度 Panel Thickness	麻面黑 Black Textured Powder Coated	亮铬 Bright Chrome
Ts=1.50mm	2306-15-20	2306-15-30
Ts=2.00mm	2306-20-20	2306-20-30

锌合金，镀锌钢销轴和弹簧插片
Zinc die, m.s. zinc plated pin and clip plate black power coated or black E-coating

喷塑黑 Black Powder Coated	电泳黑 Black E-Coated
2307-01-10	2307-01-50

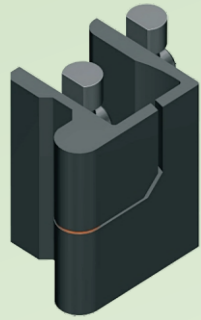


产品正在开发中
18年12月份开始供
Under development,
shall be available on
December, 2018.

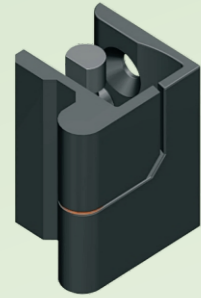


目录
Index

铰链
Hinges



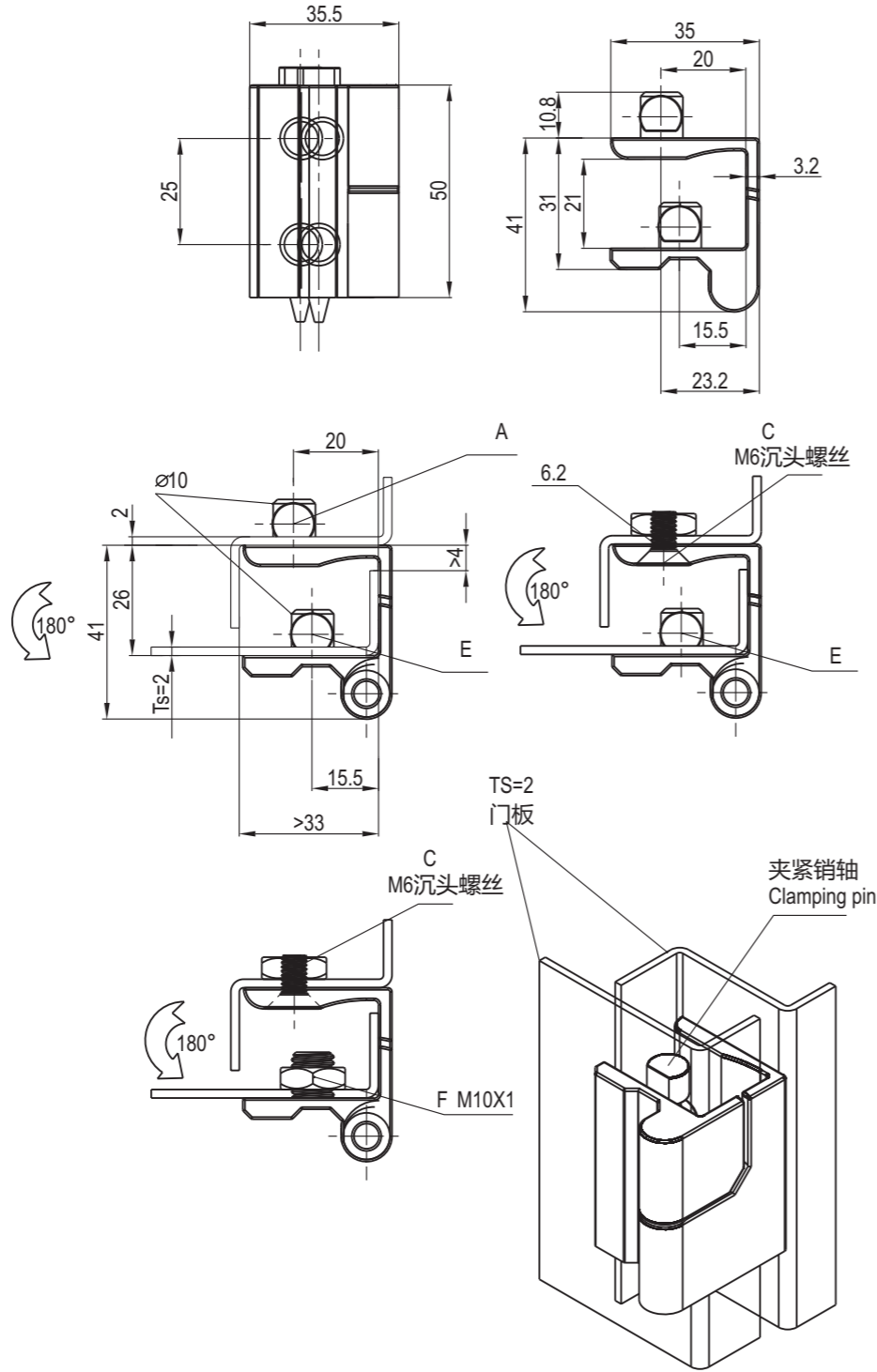
A+E型



C+E型



C+F型



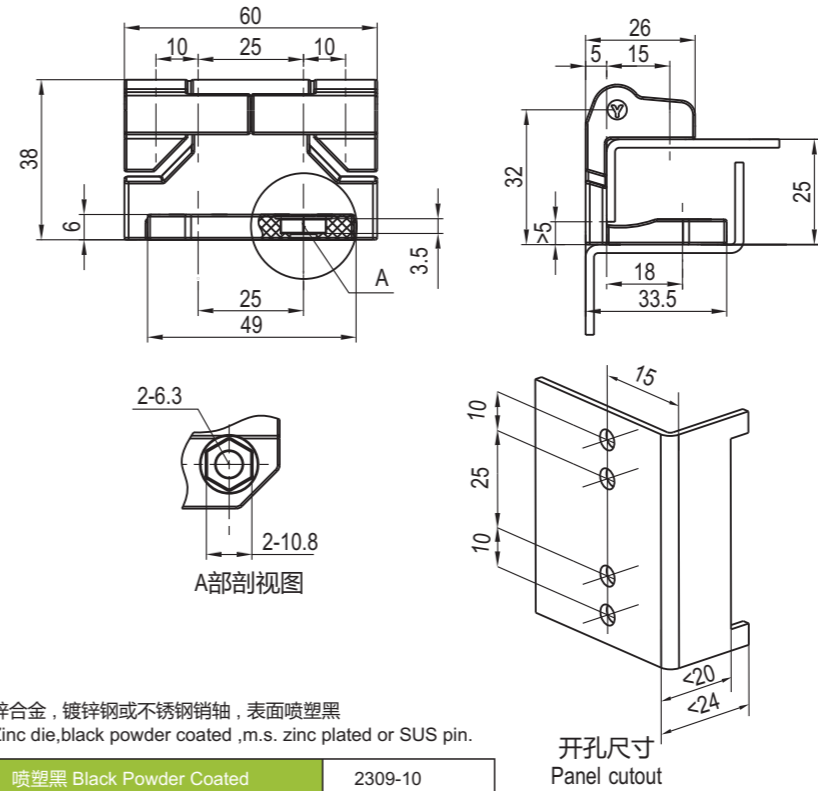
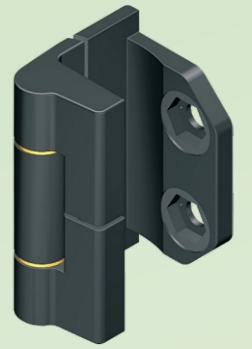
锌合金铰链, 不锈钢销轴, 表面喷塑麻黑, 或全不锈钢材
Zinc die, stainless steel pin, Black textured powder coated, or full stainless steel material

型式	全锌合金 Zinc die		铁框件, 锌合金门件 Steel frame leaf, zinc die door leaf		全不锈钢 SUS 316	
	Version(Left) 左装	Version(Right) 右装	Version(Left) 左装	Version(Right) 右装	Version(Left) 左装	Version(Right) 右装
A+E	2308-111AE-20	2308-112AE-20				
C+E	2308-111CE-20	2308-112CE-20	2308-111CE-120	2308-112CE-120		
C+F	2308-111CF-20	2308-112CF-20	2308-111CF-120	2308-112CF-120	2308-111CF-316	2308-112CF-316



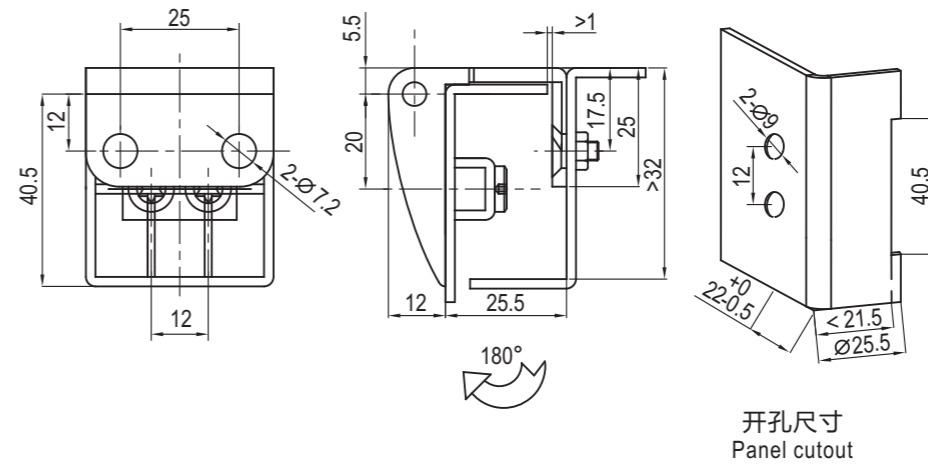
目录
Index

铰链
Hinges



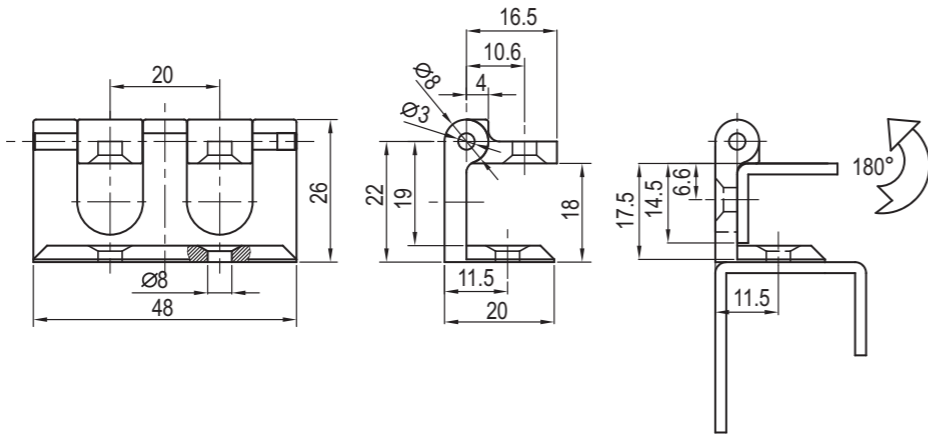
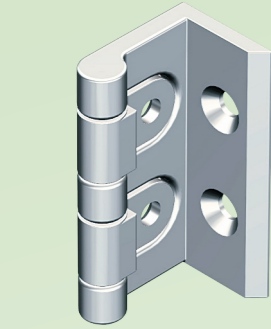
锌合金, 镀锌钢或不锈钢销轴, 表面喷塑黑
Zinc die, black powder coated, m.s. zinc plated or SUS pin.

喷塑黑 Black Powder Coated 2309-10



锌合金, 镀锌钢或不锈钢销轴, 表面喷塑
Zinc die, black powder coated, m.s. zinc plated or SUS pin.

喷塑黑 Black Powder Coated	蓝绿色 Bule green powder coated	皱纹黑
2310-02-10	2310-02-60	2310-02-70

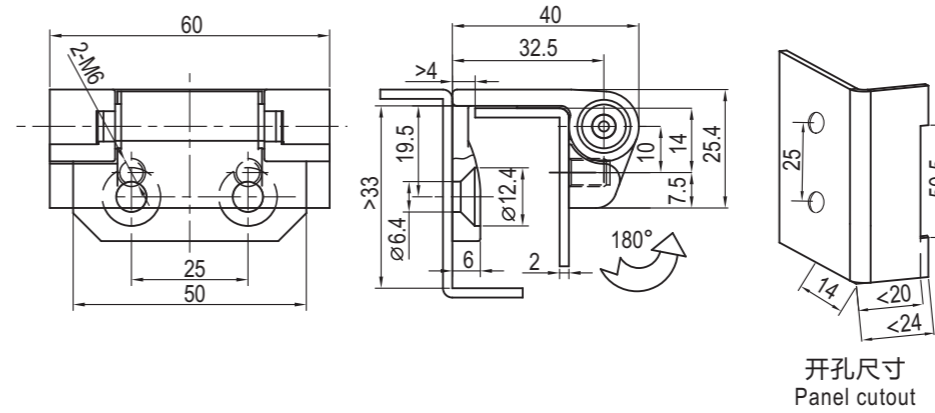
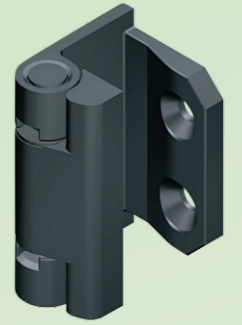


锌合金，镀锌钢或不锈钢销轴，表面度镀蓝白锌
Zinc die, m.s. zinc plated or SUS pin, blue white zinc plated

蓝白锌 Blue Zinc plated	2311-00
----------------------	---------



产品正在开发中
18年12月份开始供
Under development,
shall be available on
December, 2018.

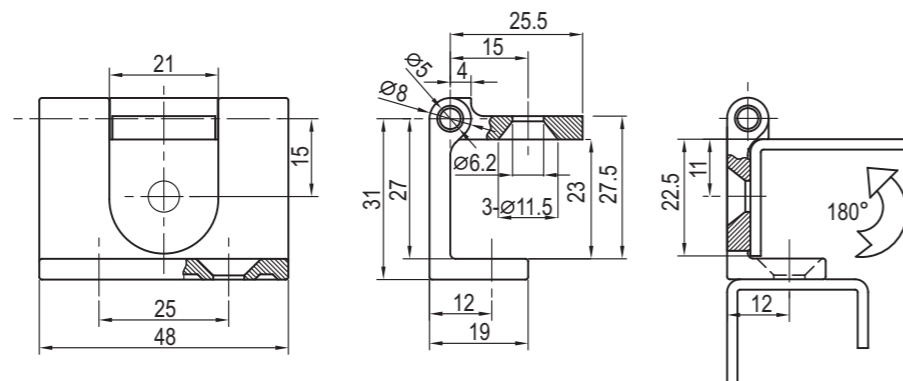


开孔尺寸
Panel cutout

锌合金，塑料销轴，表面喷塑黑
Zinc die, black textured powder coated, PA pin.

麻面黑 Black Textured Powder Coated	2312-20
----------------------------------	---------

此产品不对德国区域销售。
This product is not available for
selling to Germany.

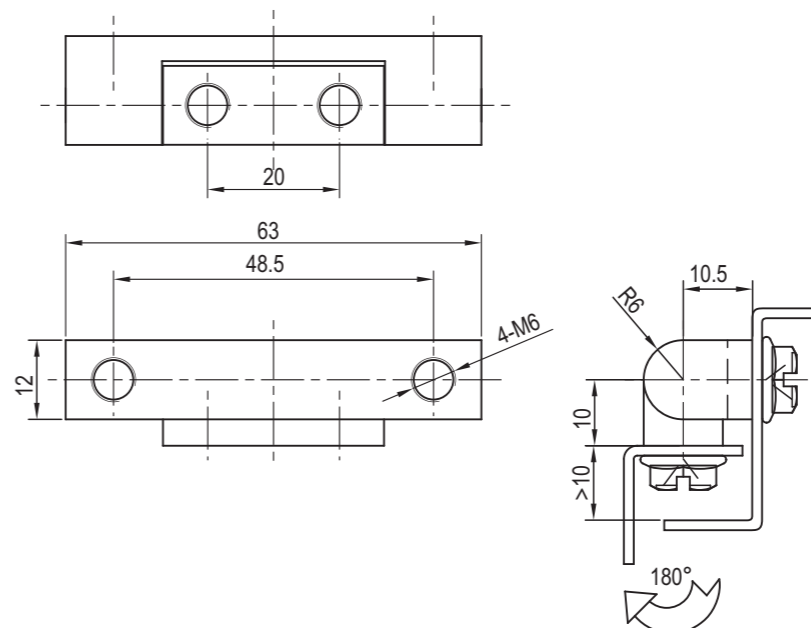


锌合金，镀锌钢或不锈钢销轴，表面可做镀黑锌
Zinc die, m.s. zinc plated or SUS pin, black zinc plated

锌黑 Black Zinc plated	2311-02
----------------------	---------



产品正在开发中
18年12月份开始供
Under development,
shall be available on
December, 2018.

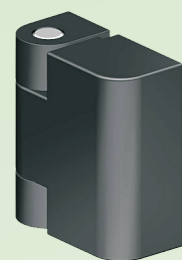
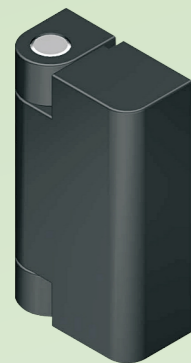


锌合金，镀锌钢或不锈钢销轴，表面可做喷塑黑和电镀亮铬
Zinc die, m.s. zinc plated or SUS pin, black powder coated or bright chrome.

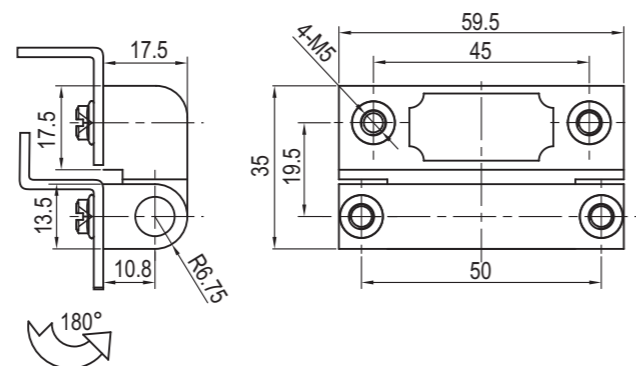
喷塑黑 Black Powder Coated	亮铬 Bright Chrome
2313-10	2313-30



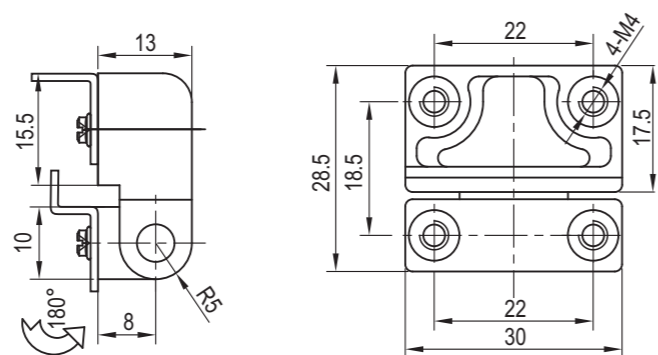
产品正在开发中
18年12月份开始供
Under development,
shall be available on
December, 2018.



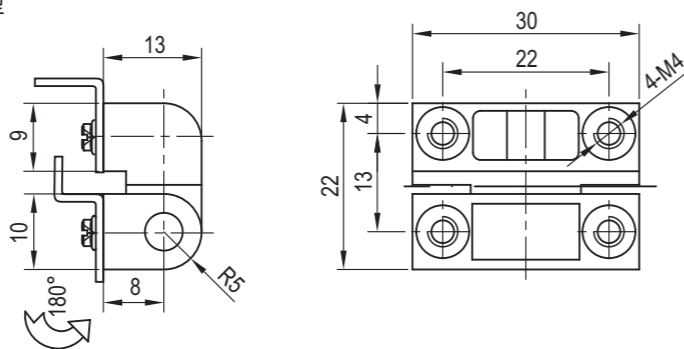
Version A A 型



Version B B 型

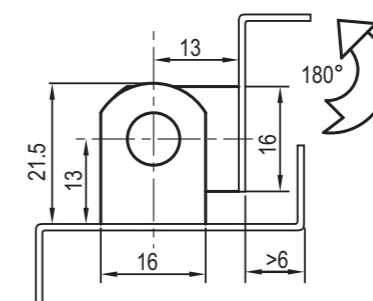
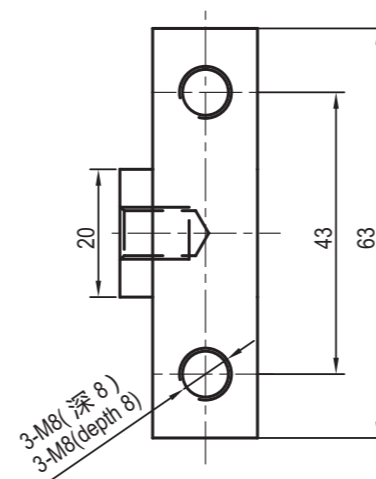
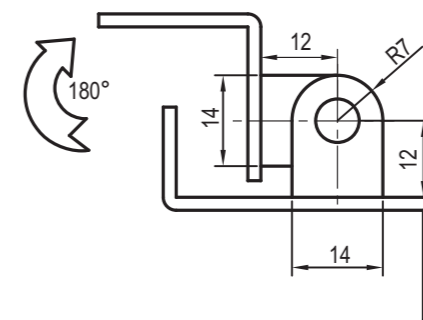
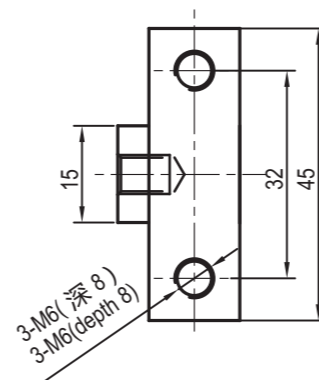


Version C C 型



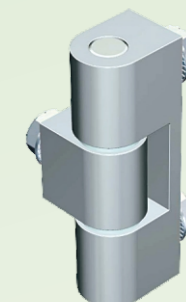
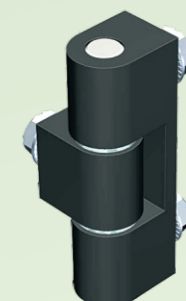
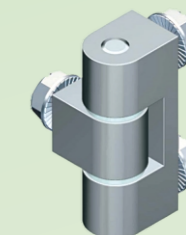
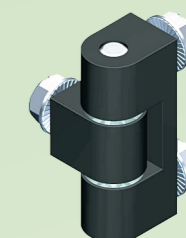
锌合金, 镀锌钢或不锈钢销轴, 表面可做喷塑黑和电镀亮铬
Zinc die, m.s. zinc plated or SUS pin, black powder coated or bright chrome.

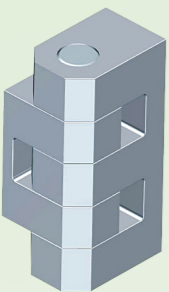
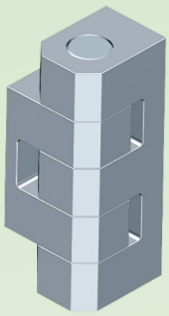
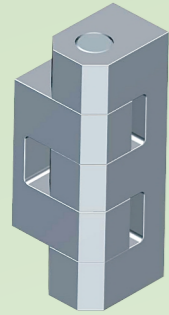
	喷塑黑 Black Powder Coated	亮铬 Bright Chrome	沙铬 Satin Chrome
A 型 Version A	2315-350-10	2315-350-30	2315-350-40
B 型 Version B	2315-285-10	2315-285-30	2315-285-40
C 型 Version C	2315-220-10	2315-220-30	2315-220-40



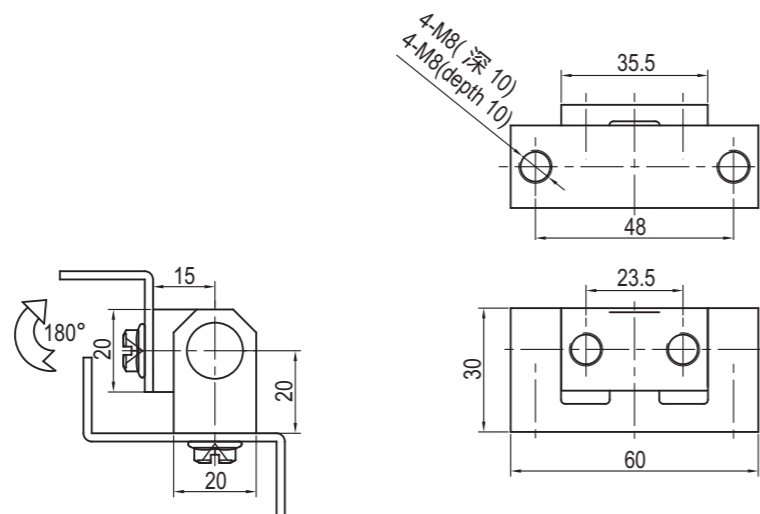
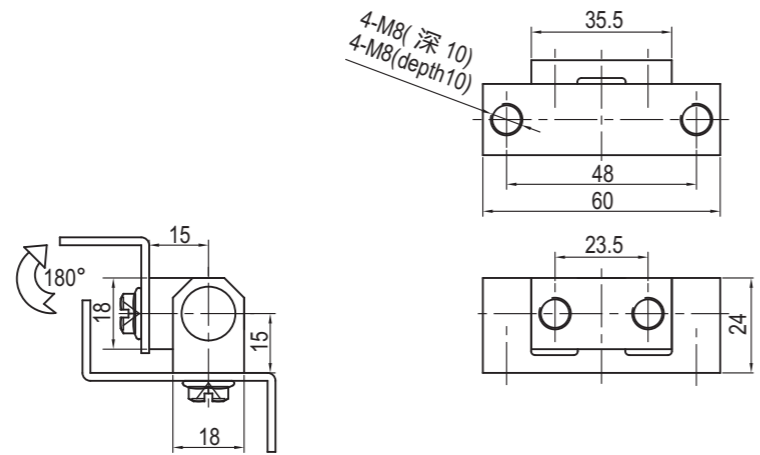
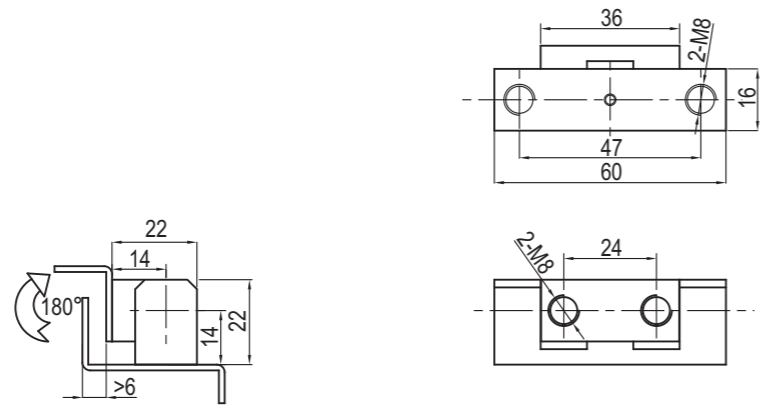
锌合金, 镀锌钢或不锈钢销轴, 表面可做喷塑和电镀亮铬
Zinc die, m.s. zinc plated or SUS pin, black powder coated or bright chrome.

长度 L	喷塑黑 Black Powder Coated	亮铬 Bright Chrome
L=45	2316-45-10	2316-45-30
L=63	2316-63-10	2316-63-30



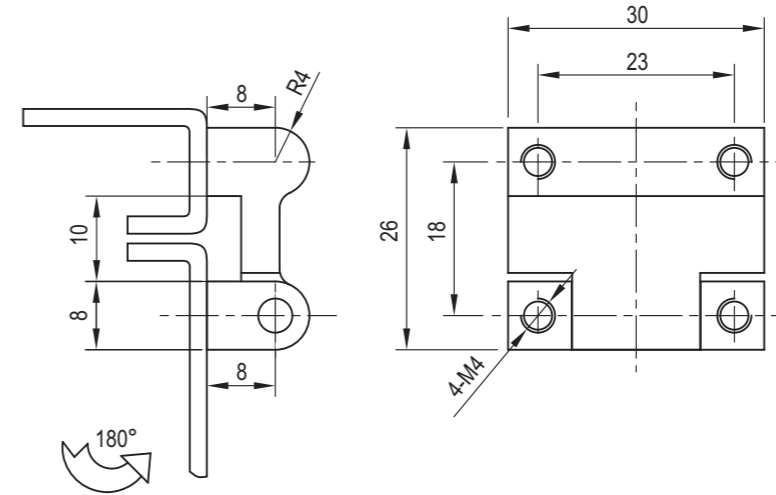


产品正在开发中
18年12月份开始供
Under development,
shall be available on
December, 2018.



锌合金，镀锌钢或不锈钢销轴。
Zinc die, m.s. zinc plated or stainless steel pin.

宽度 W	喷塑黑 Black Powder Coated	亮铬 Bright Chrome
W=14	2317-14-10	2317-14-30
W=15	2317-15-10	2317-15-30
W=20	2317-20-10	2317-20-30

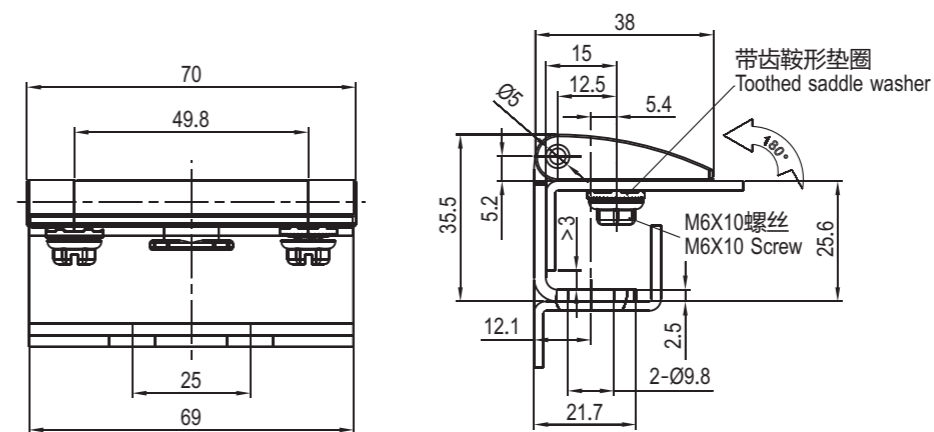
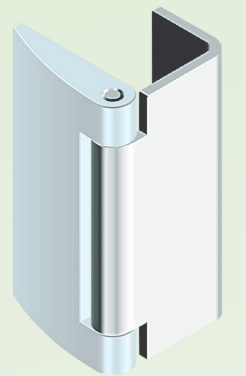


锌合金，镀锌钢或不锈钢销轴，表面可做喷塑和电镀亮铬。
Zinc die, m.s. zinc plated or SUS pin, black powder coated or bright chrome.

喷塑黑 Black Powder Coated	亮铬 Bright Chrome
2318-10	2318-30

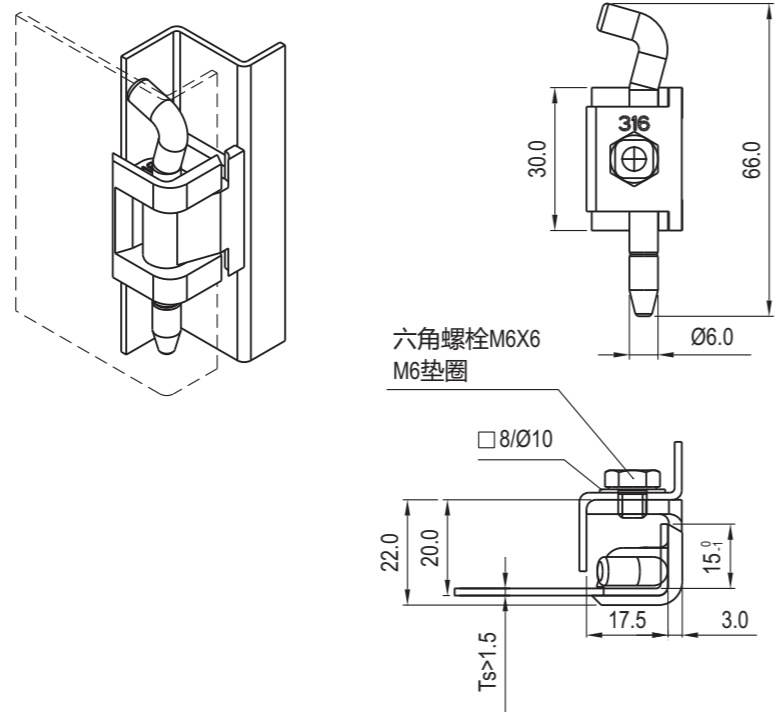
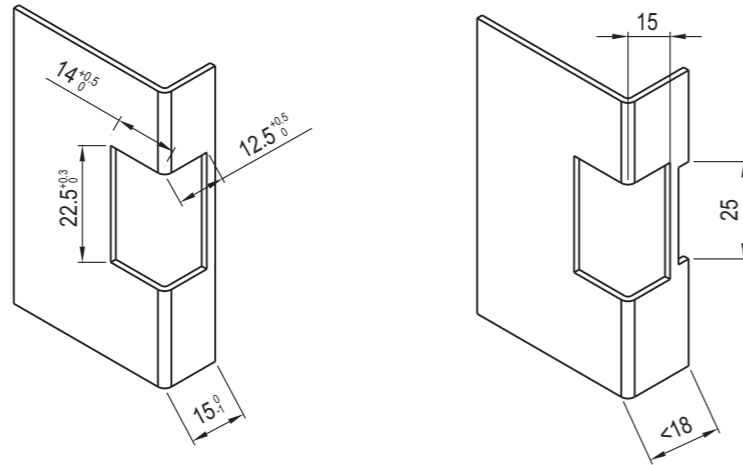
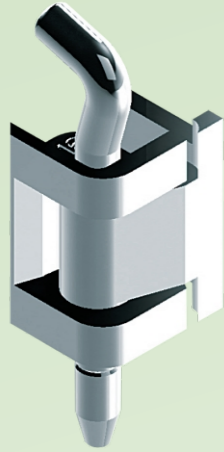


产品正在开发中
18年12月份开始供
Under development,
shall be available on
December, 2018.



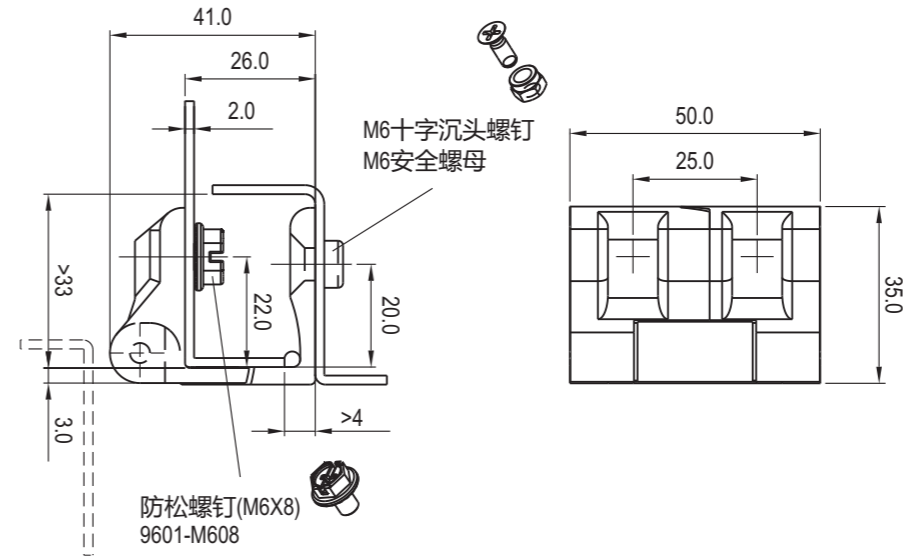
锌合金静铰链，铁喷塑粉动铰链，不锈钢销轴。
Zinc die door leaf, steel frame leaf, SUS pin

RAL9016	喷塑无光黑 Black Powder Coated
2328-01-25	2328-01-10



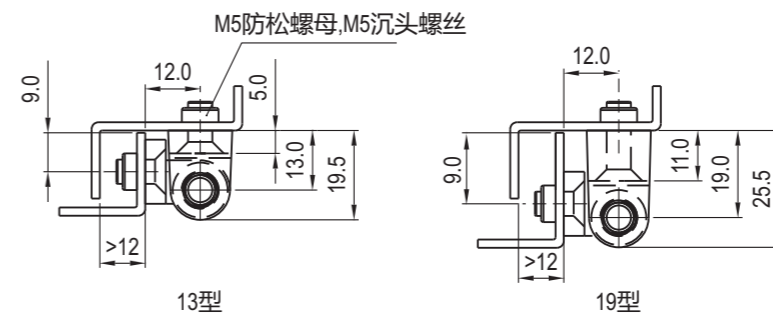
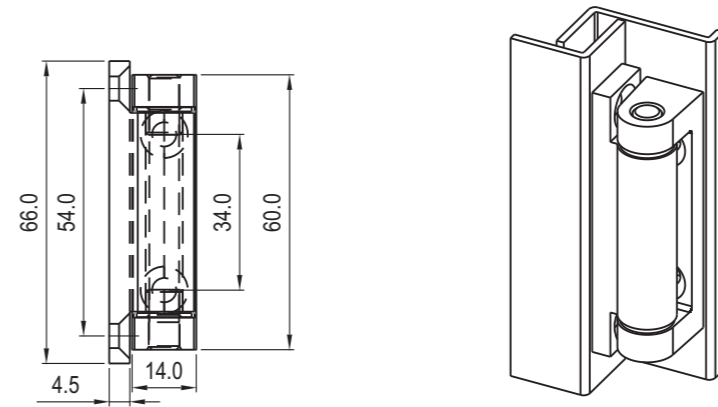
180°不锈钢SUS 316铰链, 不锈钢销轴
180° hinge SUS 316, pin SUS 303

门板厚度 Panel Thickness	不锈钢 316 SUS 316
Ts=1.5	2324-15-316
Ts=2.0	2324-20-316



180°锌合金铰链, 镀锌钢销轴和黄铜垫圈
180°hinge zinc die, black powder coated; m. s. zinc plated; brass washer

表面处理 Finish	麻面黑 Black Textured Powder Coated
锌合金 Zinc Die	2326-500-20

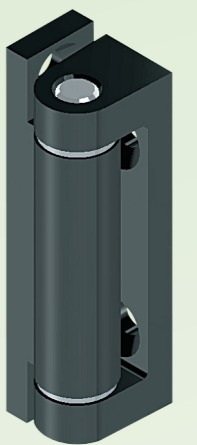


锌合金铰链, 不锈钢销轴和PA衬套
Hinge zinc die, m. s. zinc plated pin, PA bushing

高度 Highly	麻面黑 Black Textured Powder Coated	亮铬 Bright Chrome
13型	2327-13-20	2327-13-30
19型	2327-19-20	2327-19-30



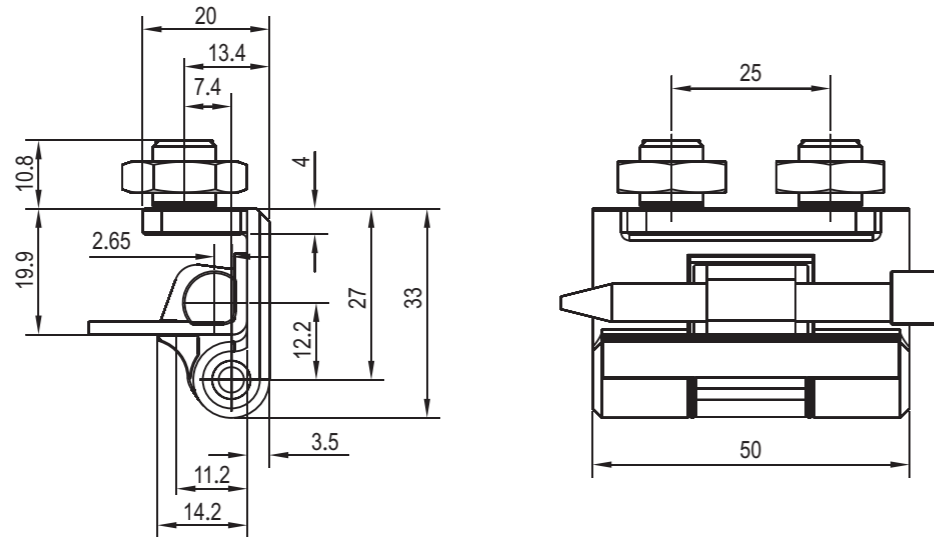
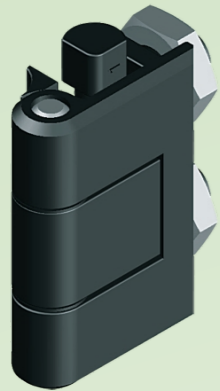
产品正在开发中
Under development,
shall be available on
December, 2016.





目录
Index

铰链
Hinges

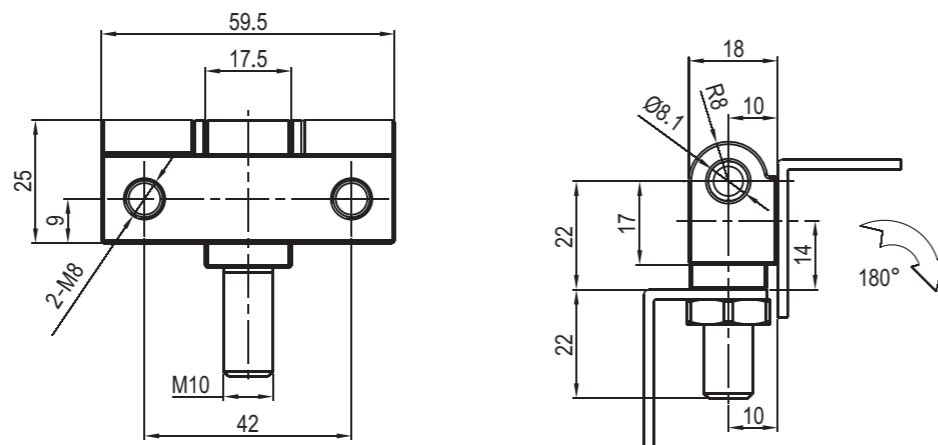
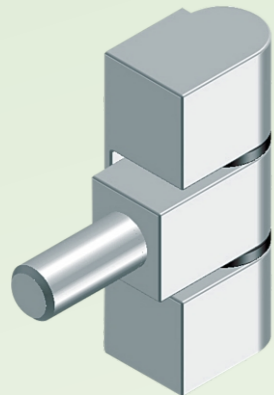


锌合金铰链喷塑黑,铁镀锌销轴
Zinc die hinge, black powder coated, m.s. zinc plated pin

麻面黑 Black Textured Powder Coated	2330-500-20
----------------------------------	-------------



如需获得产品3D模型图, 请联系 info@yeekaco.com



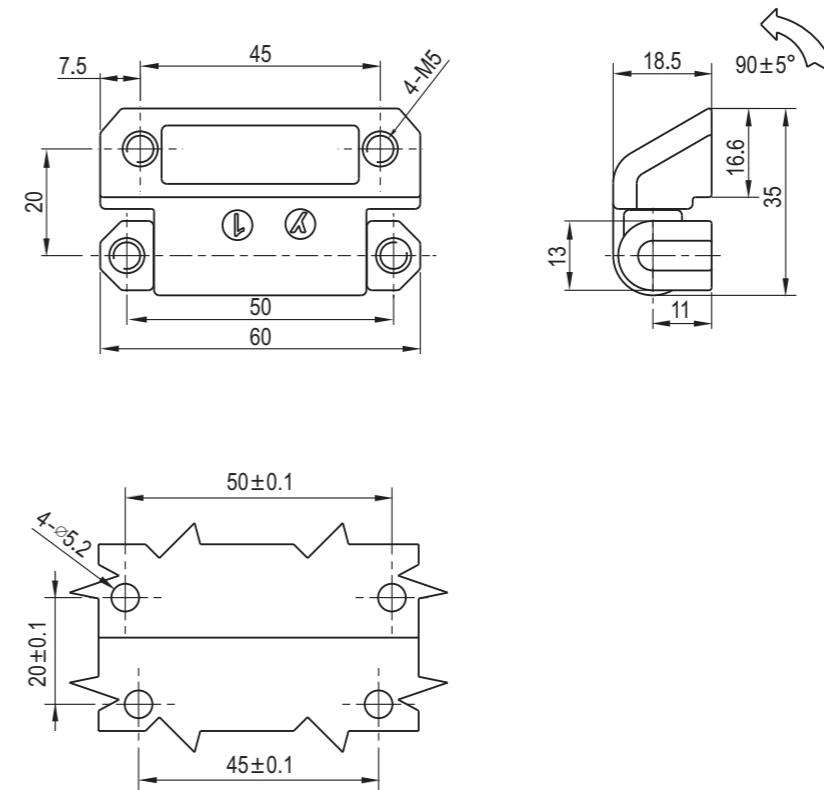
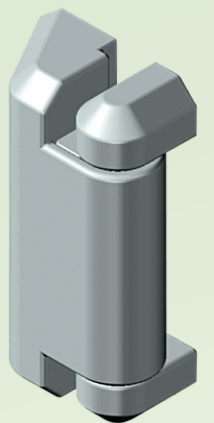
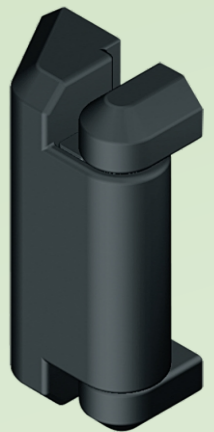
锌合金铰链镀铬,铁镀锌销轴
Zinc die, bright chrome plated, pin with m.s.zinc plated

电镀亮铬 Bright Chrome	2332-595-30
--------------------	-------------



目录
Index

铰链
Hinges



开孔尺寸
Panel cutout

锌合金阻尼铰链, 不锈钢销轴
Zinc screw-in torque hinge, SUS pin
对称扭矩 N.m Symmetric N.m

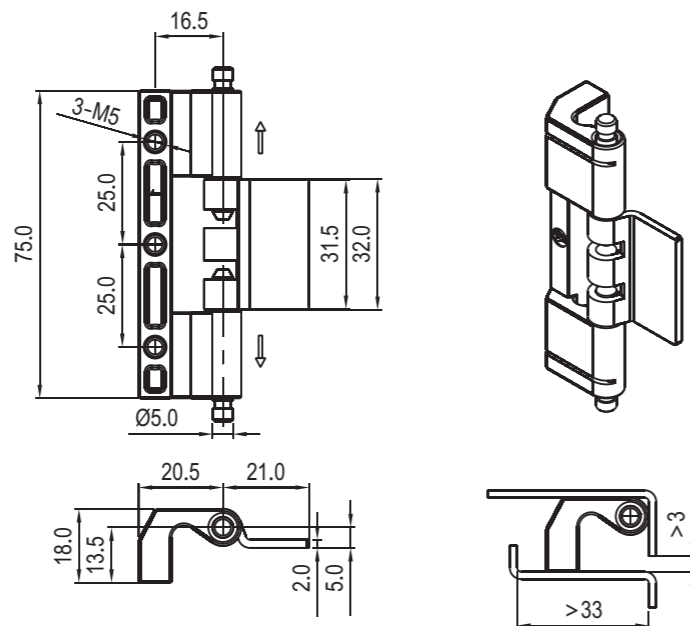
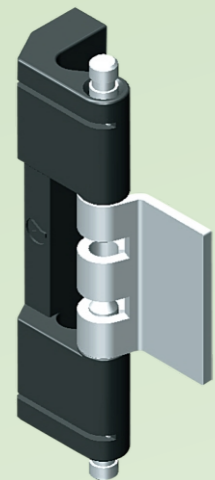
	麻面黑 Black Textured Powder Coated	灰色 Gray
自由摆动 Free Operating	2338-6000-20	2338-6000-22
1.36	2338-6136-20	2338-6136-22
2.26	2338-6226-20	2338-6226-22
3.16	2338-6316-20	2338-6316-22
4.07	2338-6407-20	2338-6407-22

不对称扭矩 N.m Asymmetric N.m

向前扭矩 N.m Forward Torque N.m	反向扭矩 N.m Reverse Torque N.m	麻面黑 Black Textured Powder Coated	灰色 Gray
2.3	1.4	2338-623F-20	2338-623F-22
3.2	1.9	2338-632F-20	2338-632F-22
4.1	2.4	2338-641F-20	2338-641F-22
5	3	2338-650F-20	2338-650F-22
1.4	2.3	2338-614R-20	2338-614R-22
1.9	3.2	2338-619R-20	2338-619R-22
2.4	4.1	2338-624R-20	2338-624R-22
3	5	2338-630R-20	2338-630R-22

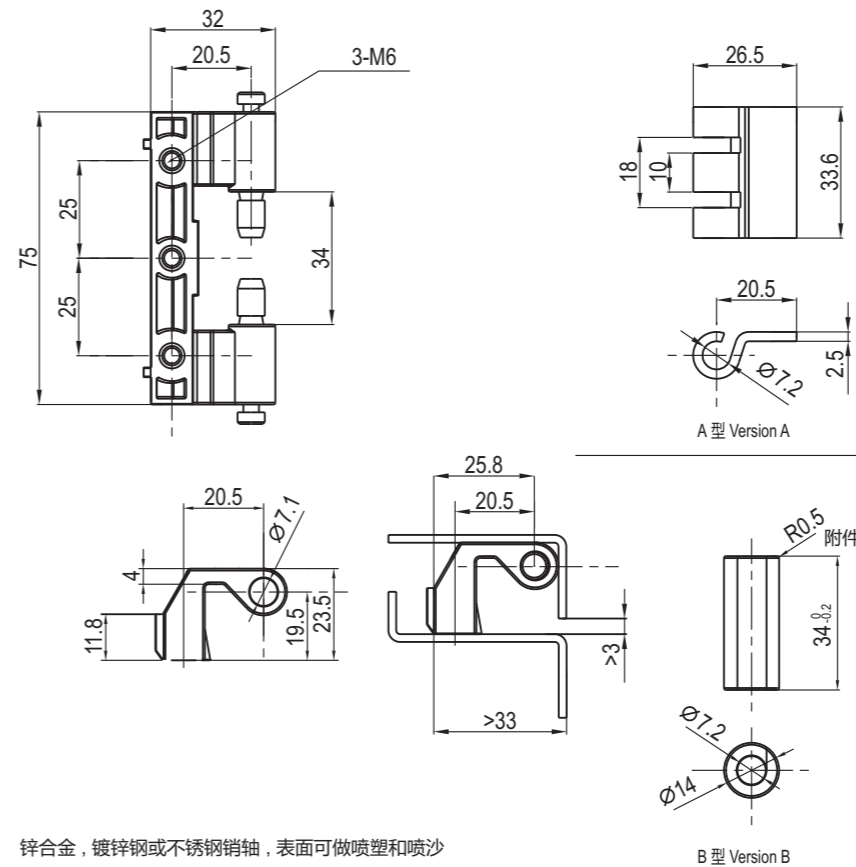
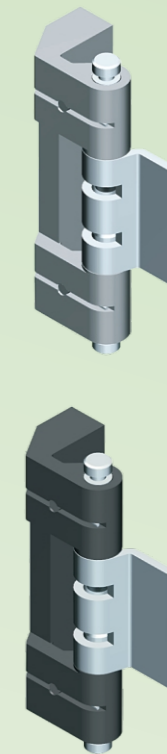
注：
寿命试验次数数据：25000次

CYCLE LIFE:
Within 25,000 cycles static torque stay
Within ±20% of torque specification.



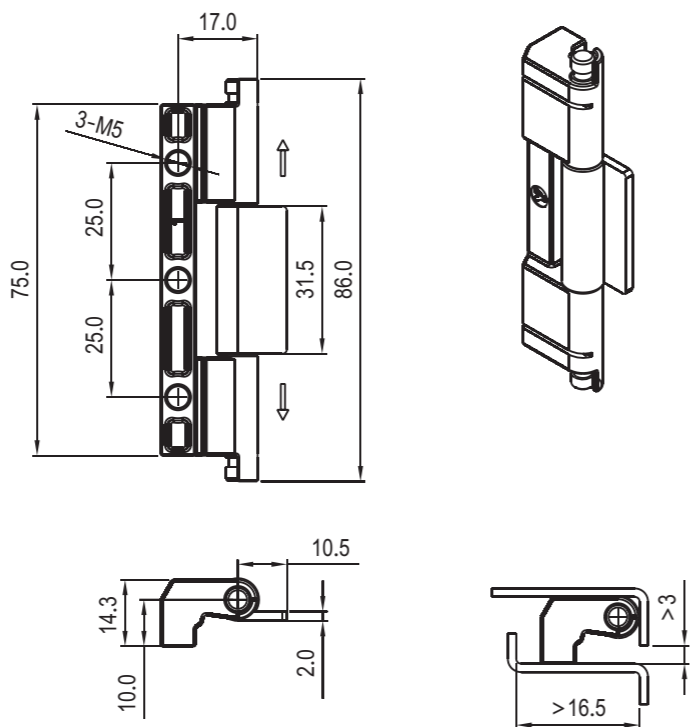
锌合金,镀锌钢或不锈钢销轴,表面可做塑和喷沙
Zinc die,Zinc plated or SUS pin,black powder coated or sand sprayed

喷塑麻面黑 Black Textured Powder Coated	喷沙 Sand sprayed
2401-115-20	2401-115-77



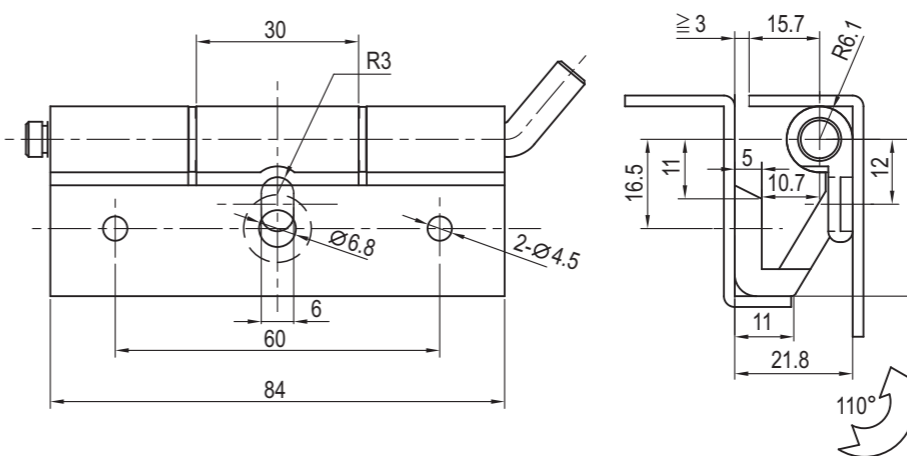
锌合金,镀锌钢或不锈钢销轴,表面可做喷塑和喷沙
Zinc die,m.s. zinc plated or SUS pin, black powder coated or sand sprayed

附件类型 Weld-on part version	喷塑黑 Black Powder Coated	喷沙 Sand sprayed
A型 Version A	2401-111-10	2401-111-77
B型 Version B	2401-112-10	2401-112-77



锌合金,镀锌钢或不锈钢销轴,表面可做塑和喷沙
Zinc die,Zinc plated or SUS pin,black powder coated or sand sprayed

喷塑麻面黑 Black Textured Powder Coated	喷沙 Sand sprayed
2401-116-20	2401-116-77



锌合金,镀锌钢或不锈钢销轴,表面喷塑黑
Zinc die, black powder coated , m.s. zinc plated or SUS pin.

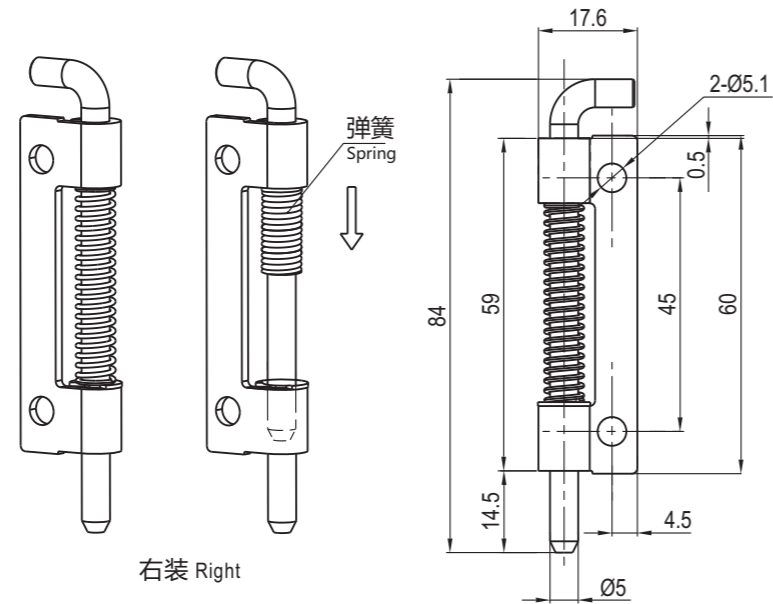
喷塑黑 Black Powder Coated	2402-10
-------------------------	---------



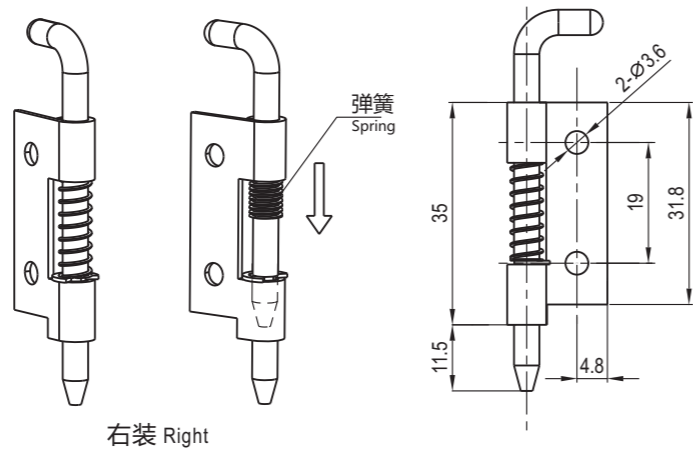
产品正在开发中
Under development,
shall be available on
December, 2016.



大型
Large size

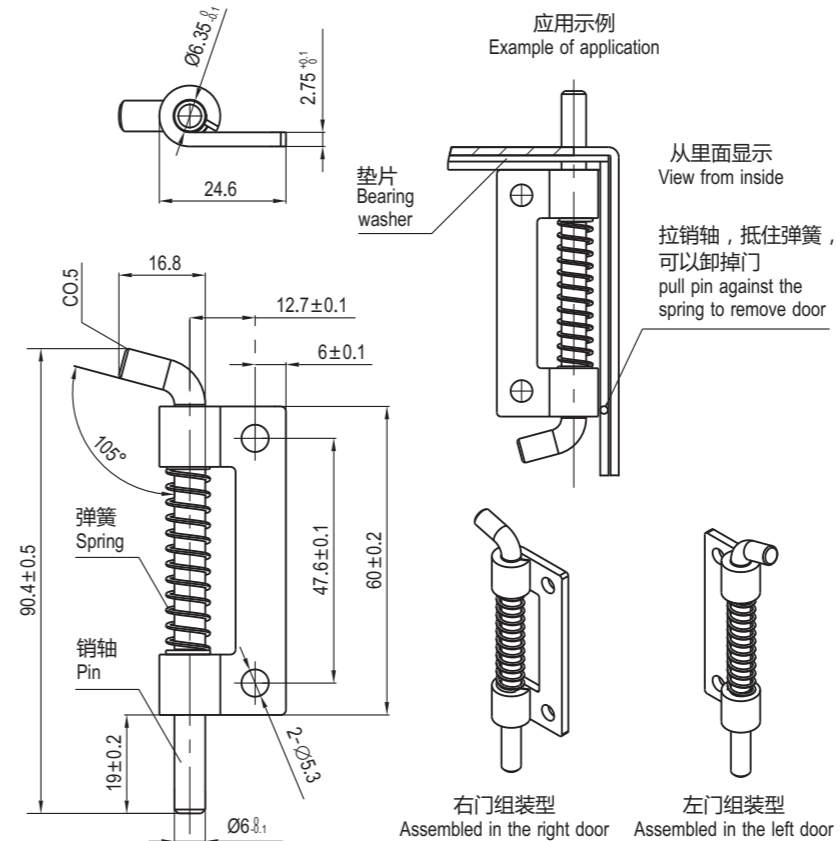
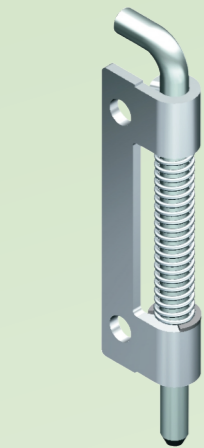


小型
Small size



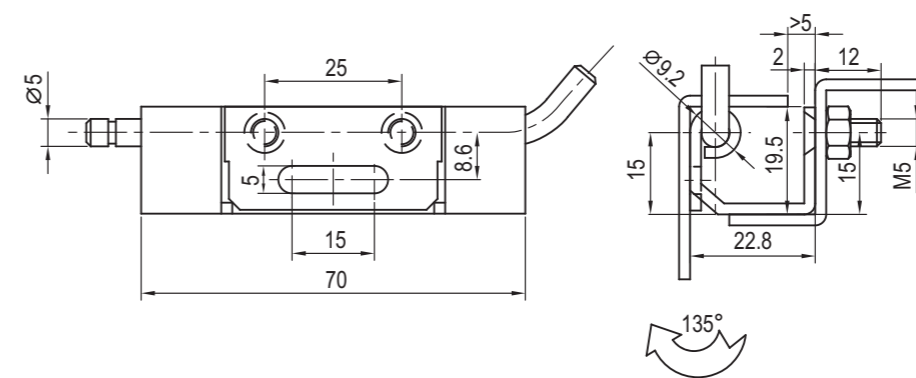
镀锌钢
M.S. zinc plated
材质可做全不锈钢
SUS material upon request

	螺丝固定型 Screw on version		焊接固定型 Weld on version	
	左装 Left	右装 Right	左装 Left	右装 Right
大型 Large size	2404-01-L	2404-01-R	2404-11-L	2404-11-R
小型 Small size	2404-02-L	2404-02-R	2404-12-L	2404-12-R



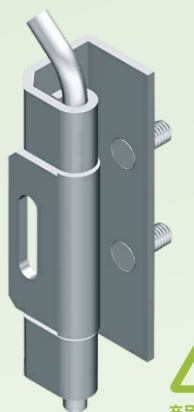
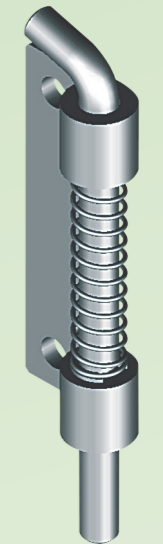
镀锌钢或不锈钢
M.S. zinc plated or stainless steel

	螺丝固定型 Screw on version	
	左装 Left	右装 Right
铁镀锌 M.S. zinc plated	2404-04-01L	2404-04-01R
不锈钢 304 SUS 304	2404-04-304L	2404-04-304R

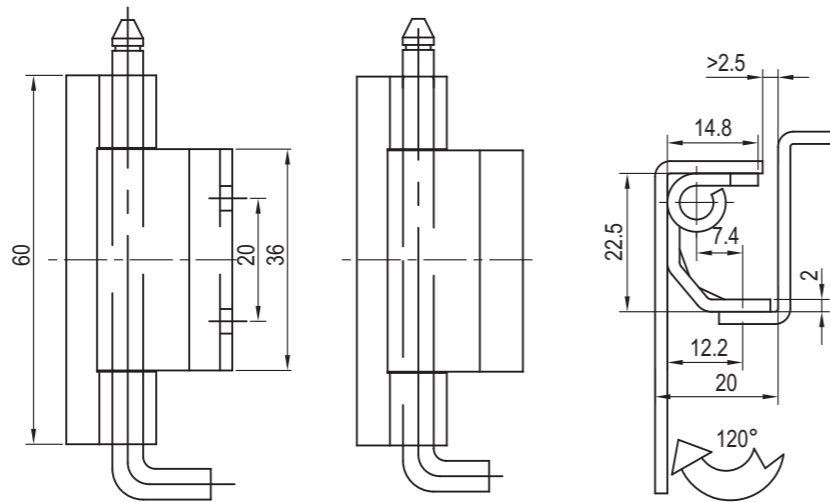
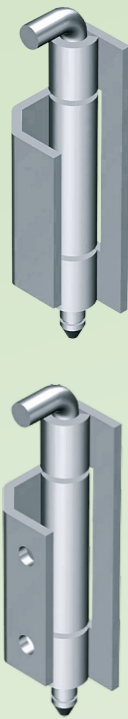


镀锌钢
M.S. zinc plated

	2405-01
--	---------



产品正在开发中
Under development,
shall be available on
December, 2016.

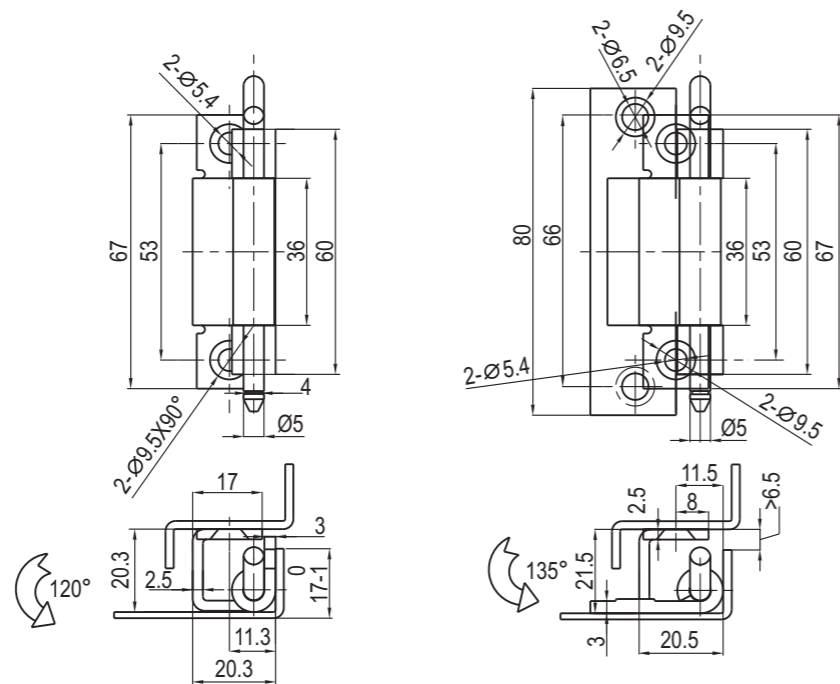
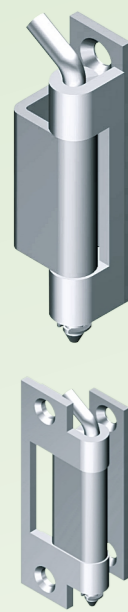


螺丝固定型
Screw on version

焊接固定型
Weld on version

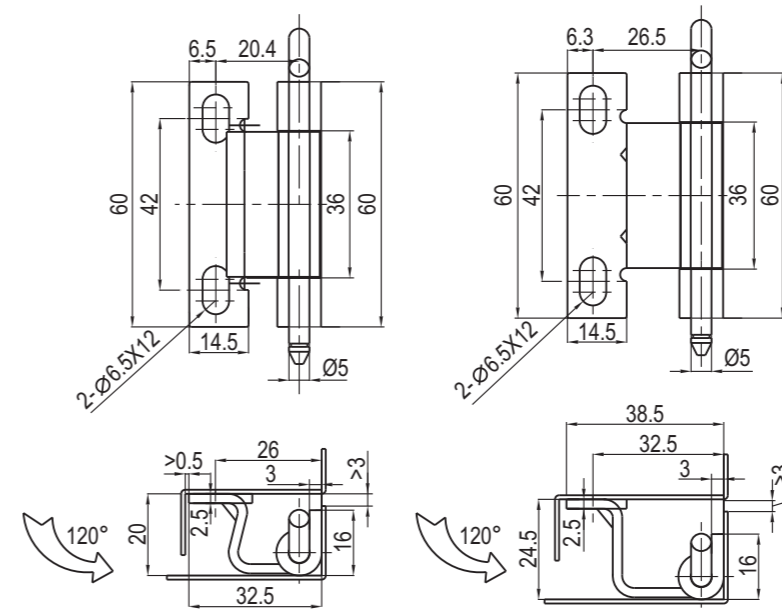
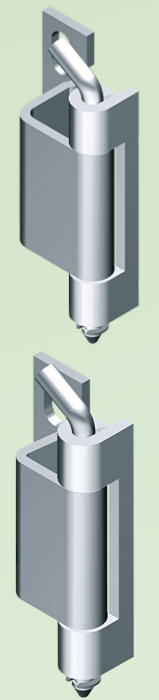
镀锌钢或不锈钢
M.S. zinc plated or stainless steel

	不锈钢 304 SUS 304	镀锌钢 Steel
螺丝固定型 Screw on version	2406-011-304	2406-011-01
焊接固定型 Weld on version	2406-012-304	2406-012-01



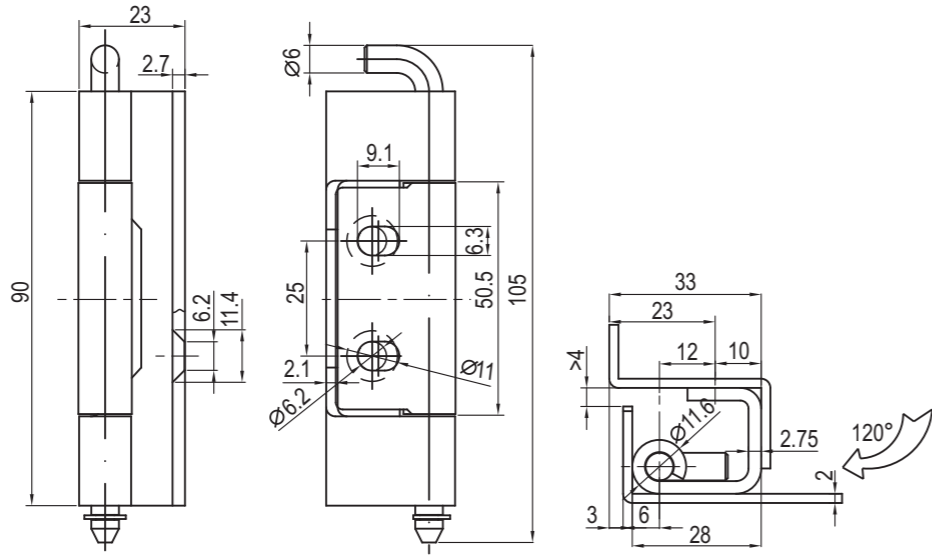
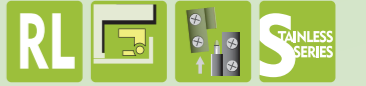
镀锌钢或不锈钢
M.S. zinc plated or stainless steel

	不锈钢 304 SUS 304	镀锌钢 Steel
(尺寸 20.3) (Dim 20.3)	2407-011-304	2407-011-01
(尺寸 21.5) (Dim 21.5)	2407-012-304	2407-012-01



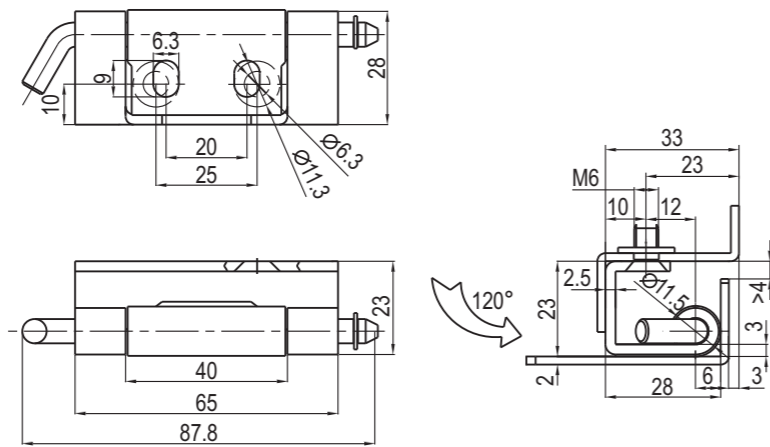
镀锌钢或不锈钢
M.S. zinc plated or stainless steel

	不锈钢 304 SUS 304	镀锌钢 Steel
(尺寸 20) (Dim 20)	2407-021-304	2407-021-01
(尺寸 24.5) (Dim 24.5)	2407-022-304	2407-022-01



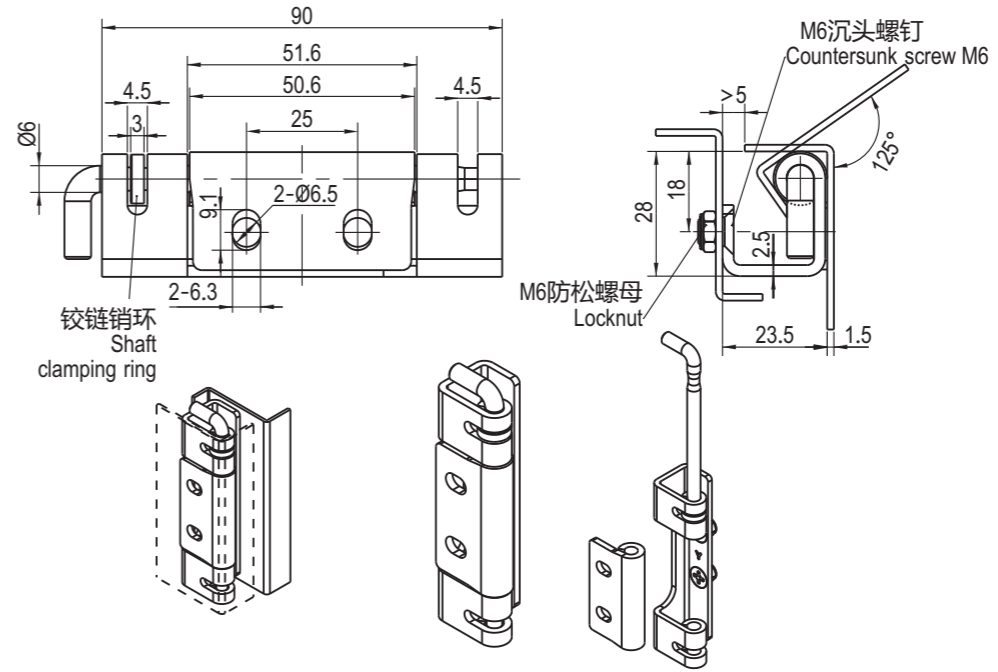
镀锌钢或不锈钢
M.S zinc plated or stainless steel

不锈钢 304 SUS 304	镀锌钢 Steel
2408-01-304	2408-01-01



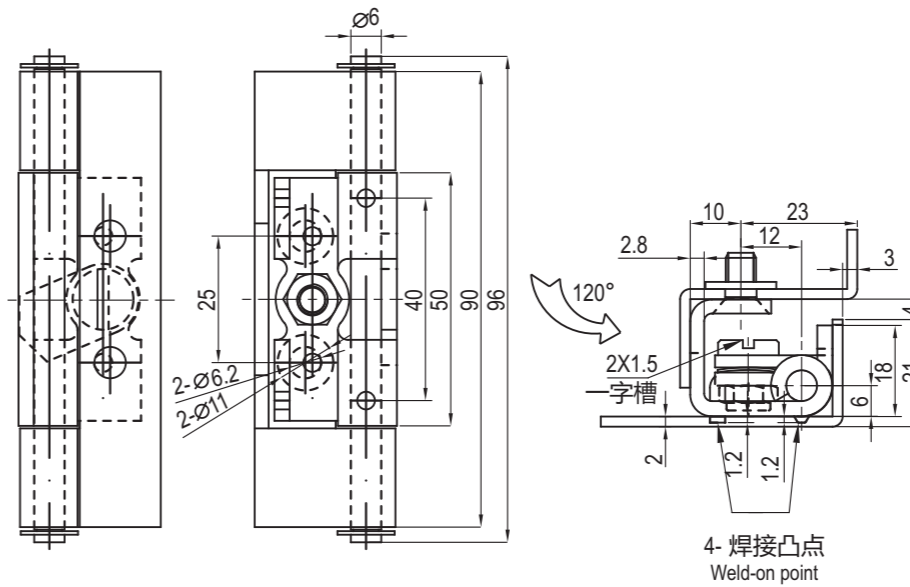
镀锌钢或不锈钢
M.S. zinc plated or stainless steel

不锈钢 304 SUS 304	镀锌钢 Steel
2408-02-304	2408-02-01



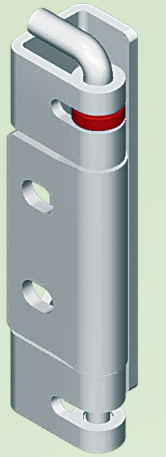
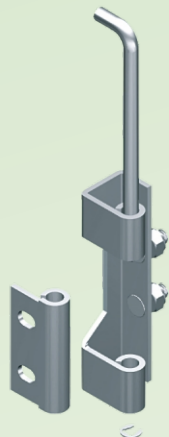
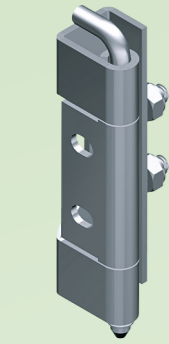
镀锌钢或不锈钢，铰链销环，聚甲醛，红色
M.S. zinc plated or stainless steel, shaft clamping ring: POM, red

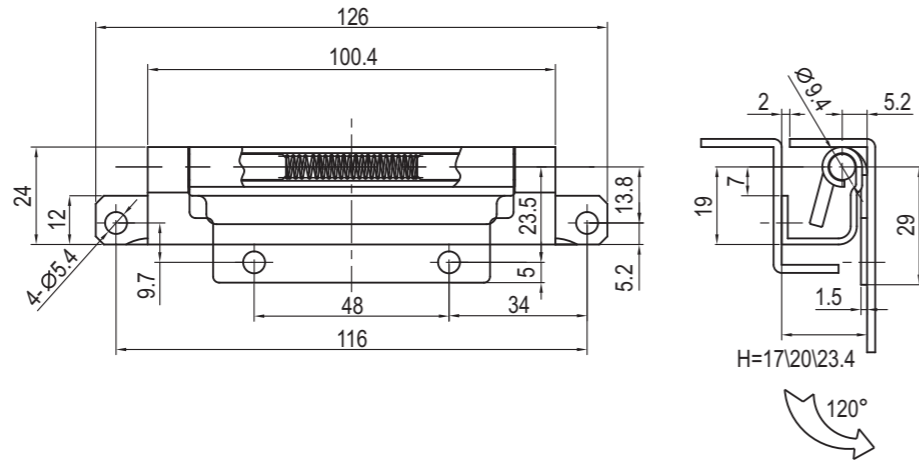
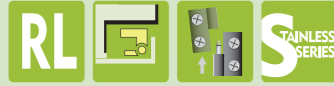
不锈钢 304 SUS 304	镀锌钢 M. S zinc plated
2408-03-304	2408-03-01



镀锌钢或不锈钢
M.S. zinc plated or stainless steel

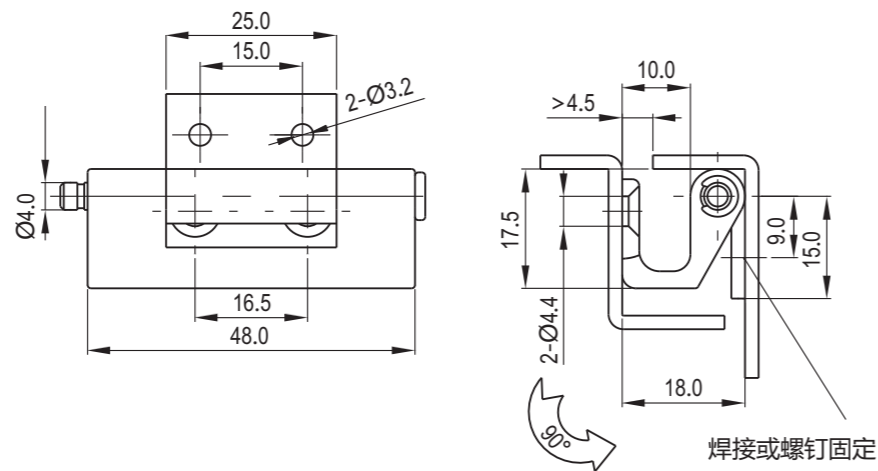
不锈钢 304 SUS 304	镀锌钢 Steel
2409-304	2409-01





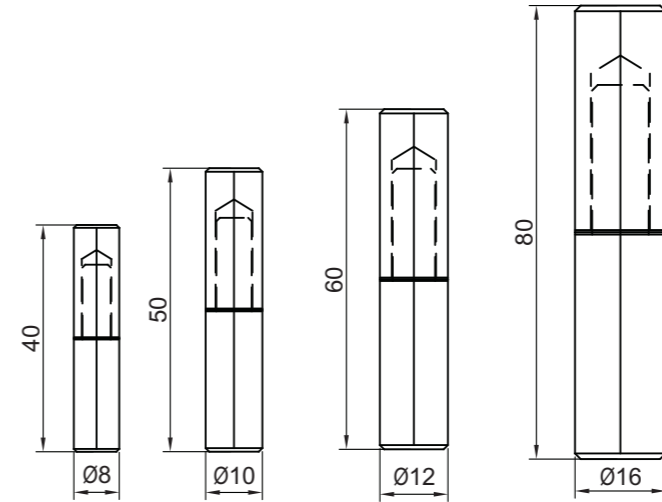
镀锌钢或不锈钢
M.S. zinc plated or stainless steel

高度 Height	不锈钢 304 SUS 304	镀锌钢 Steel
H=17	2410-17-304	2410-17-01
H=20	2410-20-304	2410-20-01
H=23.4	2410-234-304	2410-234-01



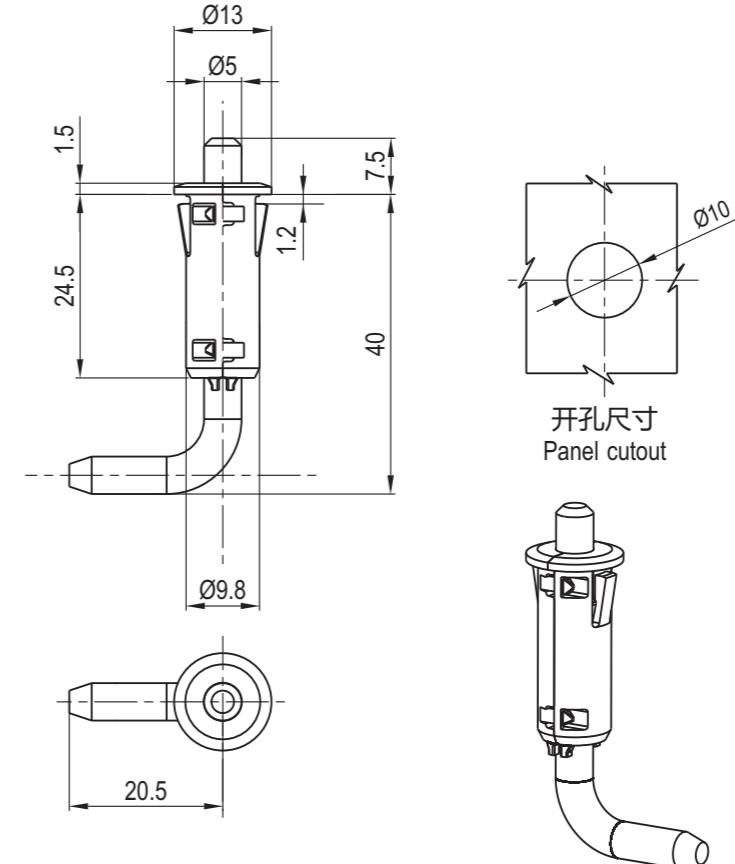
锌合金, 镀锌钢或不锈钢销轴, 表面喷沙镀镍
Zinc die, Sand blasting nickel plated, m.s. zinc plated or SUS pin.

2411-02-78



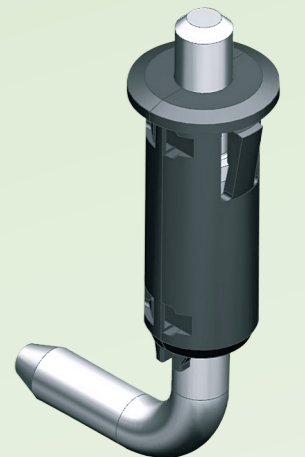
镀锌钢或不锈钢
M.S. zinc plated or stainless steel

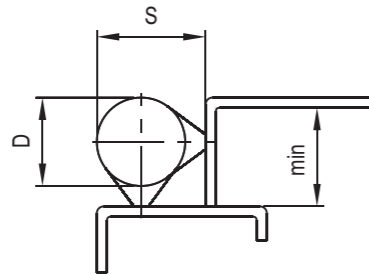
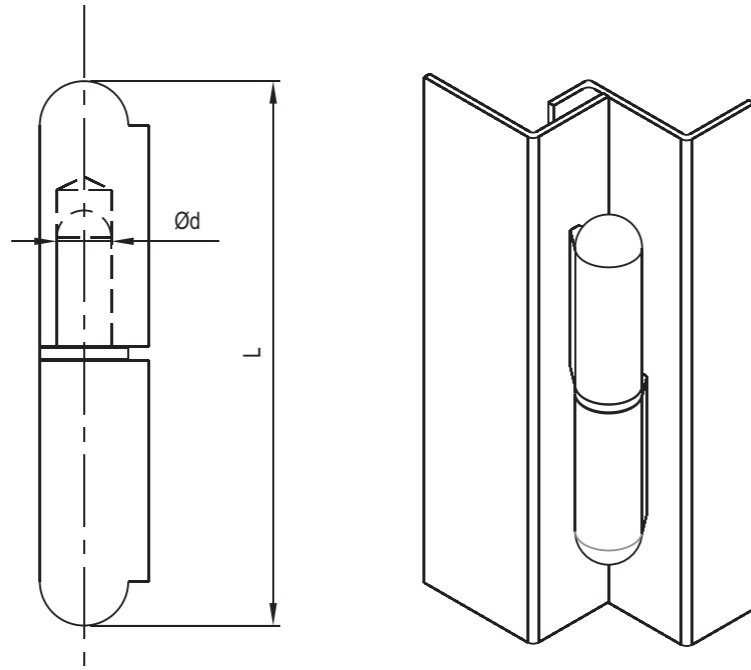
	长度 L=40	长度 L=50	长度 L=60	长度 L=80
不锈钢 304 SUS 304	2412-40-304	2412-50-304	2412-60-304	2412-80-304
镀锌钢 Steel	2412-40-01	2412-50-01	2412-60-01	2412-80-01



黑色PA铰链, 锌合金销轴
Black PA housing, zinc die pin shaft

2414-01-90





铁铰链, 铁销轴或铜销轴, 或全不锈钢铰链
 M.S Raw with M.S pin or brass pin, or full stainless steel.

L	D	d	S	铁销轴 m.s raw m.s pin	铜销轴 m.s raw brass pin	全不锈钢 SUS 304
40	Ø8	Ø5	9.5	2416-40A-01	2416-40A-59	2416-40A-304
50	Ø8	Ø5	9.5	2416-50A-01	2416-50A-59	2416-50A-304
60	Ø10	Ø6	12.0	2416-60A-01	2416-60A-59	2416-60A-304
70	Ø11.5	Ø7	13.5	2416-70A-01	2416-70A-59	2416-70A-304
80	Ø13	Ø8	15.5	2416-80A-01	2416-80A-59	2416-80A-304
100	Ø16	Ø10	20.0	2416-100A-01	2416-100A-59	2416-100A-304
120	Ø16	Ø11	20.0	2416-120A-01	2416-120A-59	2416-120A-304
135	Ø18	Ø12	22.0	2416-135A-01	2416-135A-59	2416-135A-304
150	Ø20	Ø13	25.0	2416-150A-01	2416-150A-59	2416-150A-304
180	Ø20	Ø14	25.0	2416-180A-01	2416-180A-59	2416-180A-304
200	Ø23	Ø16	28.5	2416-200A-01	2416-200A-59	2416-200A-304

