

# Zertifikat

# Certificate



Zertifikat Nr. *Certificate No.*  
R 50436562

Blatt *Sheet*  
0001

Ihr Zeichen *Client Reference*  
J.G.

Unser Zeichen *Our Reference*  
01-KSH-50252239 001

Ausstellungsdatum *Date of Issue*  
11.06.2019  
(day/mo/yr)

Genehmigungsinhaber *License Holder*  
ADLER Elektrotechnik Leipzig  
GmbH (i.G.)  
Zschochersche Str. 91  
04229 Leipzig  
Germany

Fertigungsstätte *Manufacturing Plant*

## Prüfzeichen *Test Mark*



Type Approved  
Safety  
Regular Production  
Surveillance

www.tuv.com  
ID 1419069113

Geprüft nach *Tested acc. to*  
FpREN 61643-31:2017  
IEC 61643-31:2018

Zertifiziertes Produkt (Geräteidentifikation)  
*Certified Product (Product Identification)*

Lizenzentgelte - Einheit  
*License Fee - Unit*

Surge Protector (Surge Protective Device)

Type Designation : ASPD40315  
Maximum Continuous Operating Voltage (Ucpv) : 1500V  
Voltage Protection Level (Up) : 4.5kV  
Short-circuit Current Rating (Iscpv) : 10A  
Nominal Discharge Current (In) : 20kA  
Maximum Discharge Current (Imax) : 40kA  
Type of Current : DC  
Type of SPD : Type 2  
Location : Indoor  
Temperatures of Operation and Storage : -40°C to 80°C

6

6

ANLAGE (Appendix): 1

Dem Zertifikat liegt unsere Prüf- und Zertifizierungsordnung zugrunde und es bestätigt die Konformität des Produktes mit den oben genannten Standards und Prüfgrundlagen. Zusätzliche Anforderungen in Ländern, in denen das Produkt in Verkehr gebracht werden soll, müssen zusätzlich betrachtet werden. Die Herstellung des zertifizierten Produktes wird überwacht.  
This certificate is based on our Testing and Certification Regulation and states the conformity of the product with the standards and testing requirements as indicated above. Any additional requirements in countries where the product is going to be marketed have to be considered additionally. The manufacturing of the certified product is subject to surveillance.

TÜV Rheinland LGA Products GmbH, Tillystraße 2, 90431 Nürnberg

Tel.: +49 221 806-1371 e-mail: cert-validity@de.tuv.com  
Fax: +49 221 806-3935 http://www.tuv.com/safety



Jie Zhang



ADLER Elektrotechnik Leipzig GmbH  
(i.G.)  
Jeanette Glueck  
-  
Zschochersche Str. 91  
04229 Leipzig  
Germany

Date : 11.06.2019  
Our ref. : KSH 01  
Your ref.: J.G.

**Ref : R TÜV-Mark Approval**

Type of Equipment : Surge Protective Device  
Model Designation : See Certificate  
Certificate No. : R 50436562 0001  
Report No. : 50252239 001

Dear Jeanette Glueck,

The above specified equipment has been tested and found to be in accordance with the relevant requirements.

Please find enclosed your certificate as specified above.

If cancellation of the certificate is submitted by 15 November in a given year, no fee will be charged for the following year.

The certificate is issued with the reservation that the license holder applies all information required in § 6 of the ProdSG related to name and address of the manufacturer or his authorized representative / importer, including their respective contact addresses on the product prior to marketing of the product in the European Economic Area.

With kind regards,

Certification Body

  
Jie Zhang

cc: ADLER Elektrotechnik Leipzig

Enclosure

证书的详细资料请登陆[www.tuvdotcom.com](http://www.tuvdotcom.com)查阅,或拨打我司客服热线800 999 3668 / 400 883 1300咨询



# C E R T I F I C A T E



of Conformity  
Low Voltage Directive 2014/35/EU

Registration No.: AN 50436563 0001

Report No.: 50252239 001

Holder: **ADLER Elektrotechnik Leipzig  
GmbH (i.G.)  
Zschochersche Str. 91  
04229 Leipzig  
Germany**

Product: **Surge Protector  
(Surge Protective Device)**

Identification: Type Designation: ASPD40315

Serial No. : Engineering sample

Remark: Issued in conjunction with TÜV Rheinland license  
R 50436562 0001.

This certificate of conformity is based on an evaluation of a sample of the above mentioned product. Technical Report and documentation are at the Licence Holder's disposal. This is to certify that the tested sample is in conformity with Annex I of Council Directive 2014/35/EU, referred to as the Low Voltage Directive. This certificate does not imply assessment of the series-production of the product and does not permit the use of a TÜV Rheinland mark of conformity. The holder of the certificate is authorized to use this certificate in connection with the EC declaration of conformity according to Annex IV of the Directive.

Certification Body



Date 11.06.2019

**TÜV Rheinland LGA Products GmbH - Tillystraße 2 - 90431 Nürnberg**

**CE** The CE marking may be used if all relevant and effective EC Directives are complied with. **CE**



ADLER Elektrotechnik Leipzig GmbH  
(i.G.)  
Ada Gao, Field Application  
Engineer  
-  
Zschochersche Str. 91  
04229 Leipzig  
Germany

Date : 11.06.2019  
Our ref. : KSH 01  
Your ref.: A.G.

**Ref : AN Certificate of Conf. Low Voltage D.**

Type of Equipment : Surge Protective Device  
Model Designation : See Certificate  
Certificate No. : AN 50436563 0001  
Report No. : 50252239 001

Dear Ada Gao,

We herewith confirm that a sample of the above mentioned technical equipment has been tested and was found to be in accordance with the relevant requirements.

Enclosed please find your Certificate of Conformity.

We appreciate your kind support and would like to offer our assistance and continuous services in the future.

With kind regards,

Certification Body

  
Jie Zhang

CC: ADLER Elektrotechnik Leipzig

Enclosure

证书的详细资料请登陆[www.tuvdotcom.com](http://www.tuvdotcom.com)查阅,或拨打我司客服热线800 999 3668 / 400 883 1300咨询





**Constructional Data Form (CDF) for Surge Protective Device**

Page 1/2

**Applicant:** ADLER Elektrotechnik Leipzig GmbH(i.G.)  
**Address:** Zschochersche Str.91, 04229 Leipzig, Germany  
**Factory:** Shanghai Hitelecom Electronic Technology Co.,Ltd.  
**Address:** No.116, CheYang Road, Shanghai, P.R.China

**Kind of Equip.:** Surge Protective Device

**Designation:** ASPD40315

**Location Category:** Indoor

**Number of Ports:** One

**Method of Mounting:** Fixed(35mm DIN rail)

**Short-circuit withstand Current:** N/A

**Type of Current:** DC(PV)

**Test Class:** II

**Short-circuit current rating(Iscpv):** 10A

**Nominal Discharge Current(In):** 20kA

**Max. Discharge Current (Imax):** 40kA(DC+/DC-→PE)

**Total discharge current for multipole SPD(Itotal):** N/A

**impulse current(Iimp)** N/A

**Max. Continuous Operation Voltage(Ucpv):** (DC+)→(DC-):1500V DC;  
(DC+/DC-)→PE:1500V DC

**Voltage Protect Level(U<sub>p</sub>):** (DC+)→(DC-):4.5kV;  
(DC+/DC-)→PE:4.5kV

**Degree of Protection (IP):** IP20

**Temperatures of Operation and Storage:** - 40 °C to +80 °C

**Remark:** OCM/SCM

TÜVRheinland

(Place)

(Date)

5 June 2019

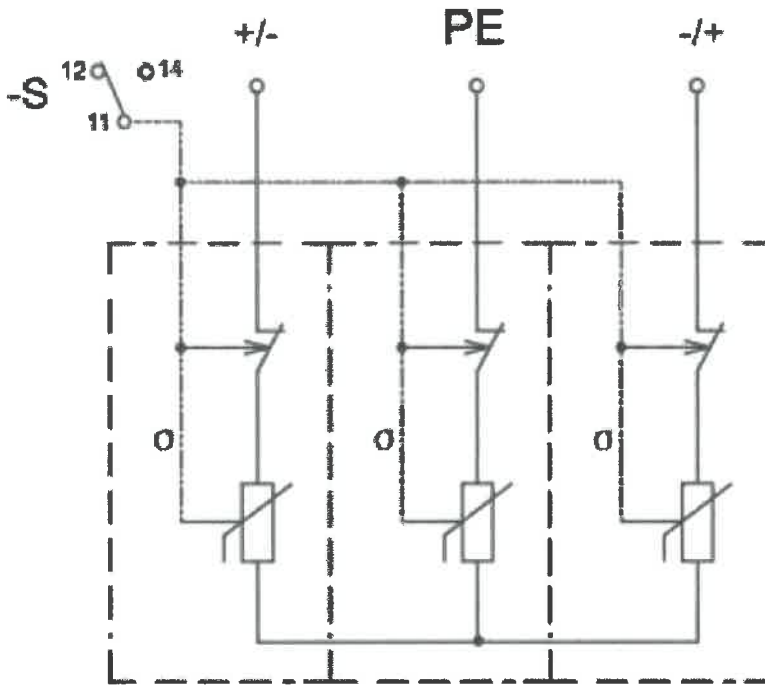
(Date)

(Signature)

(Stamp and Signature of Applicant)

**Constructional Data Form (CDF) for Surge Protective Device**

**1. Electric Circuit:**



**2. Parts list**

NO.	Parts	Material	Specifications	Manufacturer
1	Cover	PBT	PBT V0	Taiwan Changchun (Zhangzhou) Plastics Co., Ltd.
2	Voltage limiting element	MOV	34S112K	Jiujiang Chengshuo Electronics Co., Ltd.
3	Fusible metal of disconnector	Low Temperature Solder	138°C	Tianjing Zhongya Electronic Solder Technology Co., Ltd.
4	Dis-connector	Cu	Cu	/
5	On the base of the cover	PBT	V0	Taiwan Changchun (Zhangzhou) Plastics Co., Ltd.

-End-

**TÜVRheinland**

\_\_\_\_\_ (Place)

\_\_\_\_\_ (Date)

5 June 2019

(Date)

(Signature)

\_\_\_\_\_  
(Stamp and Signature of Applicant)