

## A83 gPV 1000 /1100 VDC Fuse 10x38 mm



### FEATURES:

- 1000 / 1100 VDC, 10x38 mm PV fuse link with glass-fiber
- Rated Current: 1-30 A
- Breaking Capacity: 30 kA at 1100 VDC(1-20 A),  
30 kA at 1000 VDC(25-30 A)
- Time Constant: 1-3 ms
- Special design with silver plated caps for high-power PV applications
- Standard: UL 248-19
- Approvals: UL (File: E490190)
- BH100-01, BH100-02 holders for DIN rail mounting

### ELECTRICAL SPECIFICATIONS

Part Number				Rated Current	Ampere Code	Breaking Capacity	I <sup>2</sup> t (A <sup>2</sup> s)		Dissipation(W)		Certifications
Cylindrical	Level	Central	PCB				Pre-Arcing	Total	80% I <sub>n</sub>	100% I <sub>n</sub>	UL
A831100710	A831100711	A831100712	A831100713	1A	1100	30 kA@ 1100 VDC	20	110	0.1	0.1	●
A831200710	A831200711	A831200712	A831200713	2A	1200		40	220	0.2	0.3	●
A831300710	A831300711	A831300712	A831300713	3A	1300		60	330	0.3	0.4	●
A831400710	A831400711	A831400712	A831400713	4A	1400		80	440	0.4	0.6	●
A831500710	A831500711	A831500712	A831500713	5A	1500		100	550	0.5	0.7	●
A831600710	A831600711	A831600712	A831600713	6A	1600		120	660	0.6	0.9	●
A831800710	A831800711	A831800712	A831800713	8A	1800		160	880	0.9	1.1	●
A832100710	A832100711	A832100712	A832100713	10A	2100		200	1100	1.1	1.4	●
A832120710	A832120711	A832120712	A832120713	12A	2120		240	1320	1.3	1.7	●
A832150710	A832150711	A832150712	A832150713	15A	2150		300	1650	1.6	2.2	●
A832160710	A832160711	A832160712	A832160713	16A	2160		310	1660	1.6	2.2	●
A832200710	A832200711	A832200712	A832200713	20A	2200		400	2200	2.1	2.9	●
A832250710	A832250711	A832250712	A832250713	25A	2250		500	2750	2.7	3.6	●
A832300710	A832300711	A832300712	A832300713	30A	2300		600	3300	3.2	4.3	●

**Note:** (1) DC cold resistances are measured at <10 % of rated current in ambient temperature of 25±5 °C

(2) Typical pre-arcing I<sup>2</sup>t measured at 10\*I<sub>n</sub> current

### TIME VS CURRENT CHARACTERISTIC

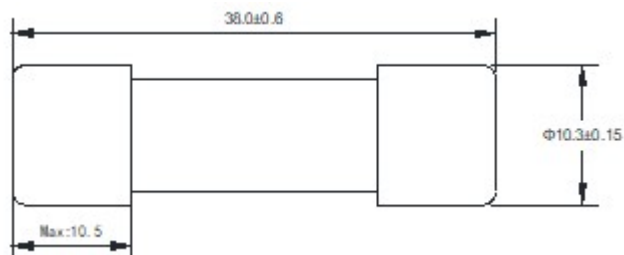
Rated Current	100 %	135 %	200 %
1-30 A	>4 h	<1 h	<4 min

### APPLICATIONS:

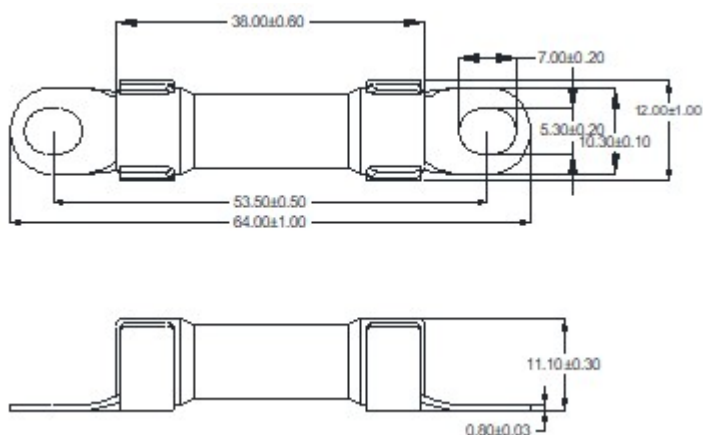
- PV combiner/ junction boxes
- Inverters
- Battery Charge Controllers

DIMENSIONS (mm)

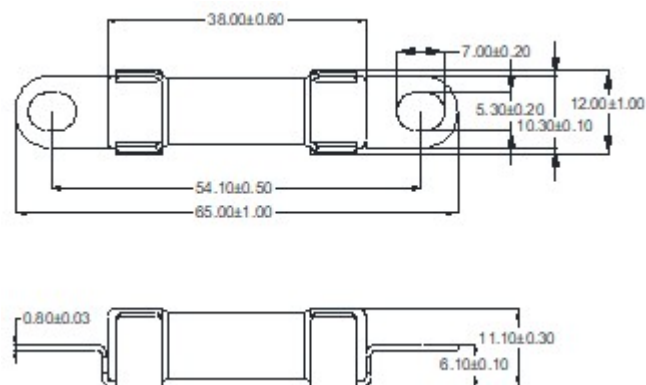
A83xxxx710



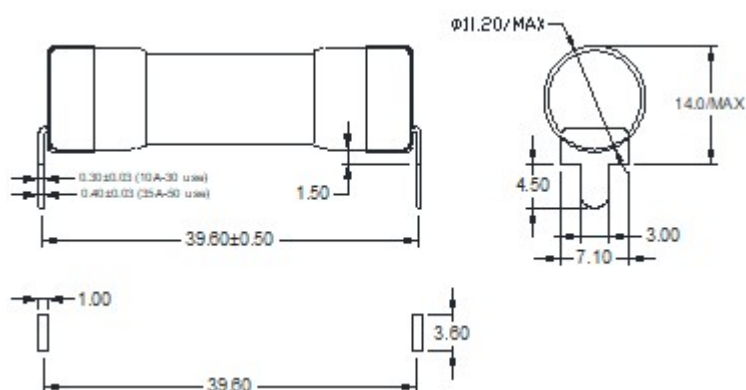
A83xxxx711



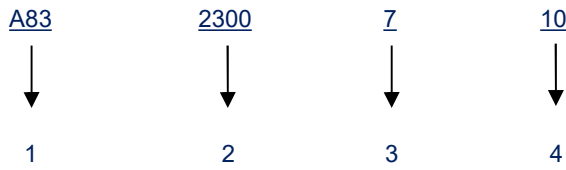
A83xxxx712



A83xxxx713



### PART NUMBER SYSTEM



- 1 .....Product Series ..... A83
- 2 ..... Ampere Code ..... 30 A (see ampere code column of electrical specifications)
- 3 .....Rated Voltage..... 7: 1000 / 1100 V
- 4 ..... Supplementary Code ..... 10:Cylindrical; 11: Level Mount; 12: Central Mount; 13: PCB Mount

### Time Current Curve (reference)

