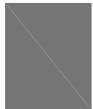


## DESCRIPTION



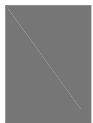
- Metal construction with a chrome finish
- Include 2 pieces of 600mm long flexible connect hose with G1/2 connector.

## OPERATION



- Lever style handle
- Pull-on / Push-off
- Temperature controlled through 100 degree arc of handle travel

## FLOW



- Flowrate is 0.2L/s minimum under 0.3Mpa without restrictor and aerator
- Flowrate is about 0.12L/s under 0.3Mpa with restrictor and aerator

## CARTRIDGE



- MOEN Duralast 146565 cartridge design
- Nonmetallic / nonferrous and ceramic material

## STANDARD

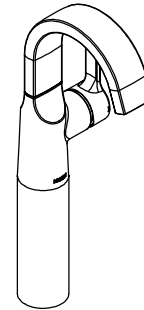


- Designed to meet GB standard

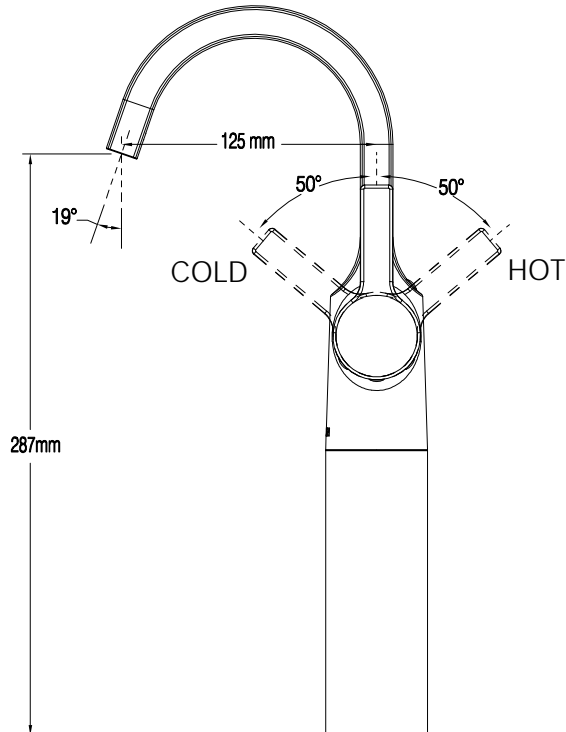
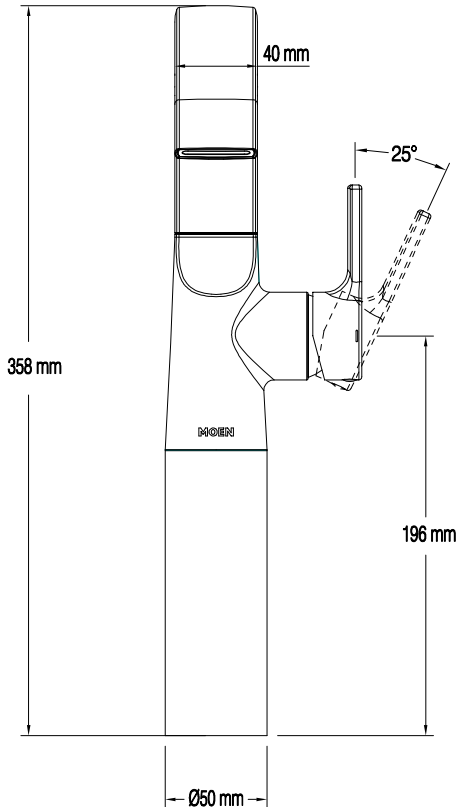
## WARRANTY



- 5 years limited warranty against leaks and drips



Fascination 1H Lavatory Vessel  
MODEL: 63123



## CRITICAL DIMENSION

(DO NOT SCALE)