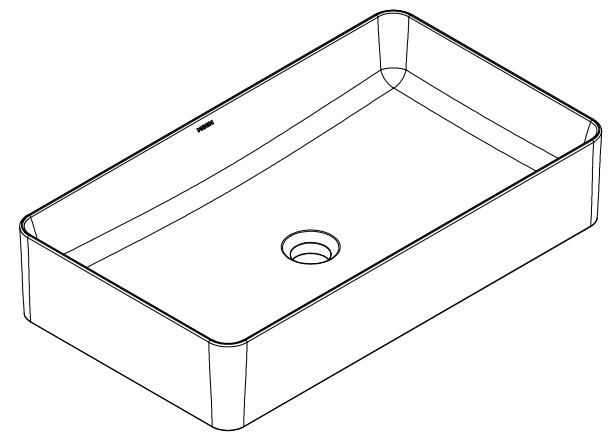
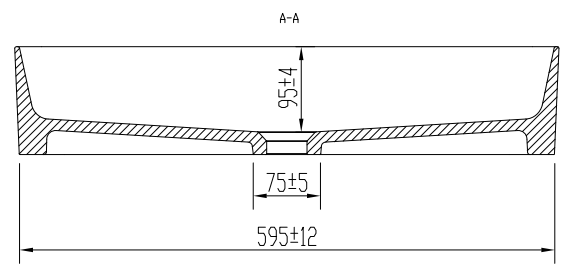
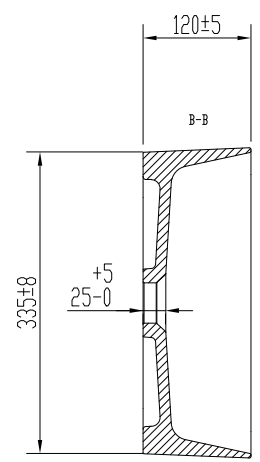
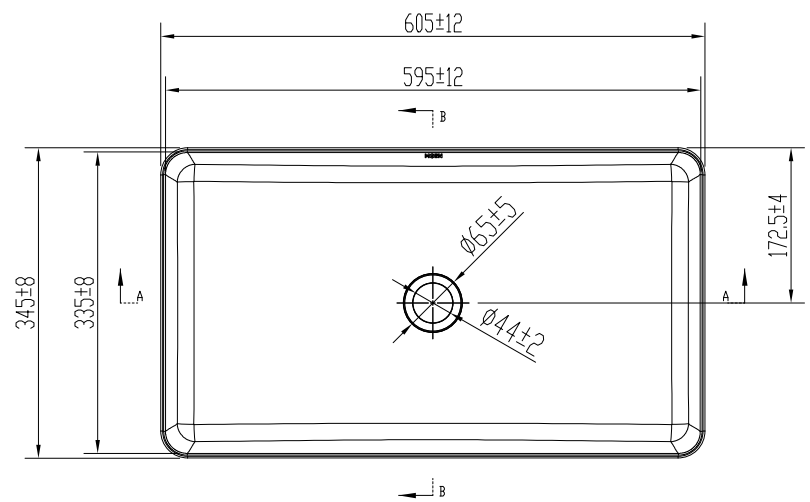



ITEM	PRODUCT CODE	PRODUCT DESCRIPTION EN
1	BC9903-117	PROJ CERAMIC RECTANGLE COUNTER BASIN W605*D345*H120

CHANGE BY	REV
TOM CHEN	2



TECHNICAL SPECIFICATIONS:  
 1. MATERIAL: CERAMIC, COLOR: WHITE.  
 2. COMPLIANCE: GB/T6952

UNLESS OTHERWISE SPECIFIED INTERPRET DRAWING PER ASME Y14.5-2009		<b>"DO NOT SCALE DRAWING"</b>		DRAWING NO.		CERAMIC RECTANGLE COUNTER BASIN
UNITS MILLIMETERS		EST. WEIGHT · lb (kg)		ECM NO. & ECM NO.		
DIMENSION CLASSIFICATION		EST. VOLUME · in <sup>3</sup> (cm <sup>3</sup> )		PROJECT		 GLOBAL PLUMBING GROUP, 25300 AL NOEN DRIVE NORTH OLINSTEAD, OH 44070 USA
KEY CHARACTERISTIC		EST. SURFACE AREA · in <sup>2</sup> (cm <sup>2</sup> )		DRAWN BY		
STATISTICAL TOLERANCE		EST. WETTED AREA · in <sup>2</sup> (cm <sup>2</sup> )		APPROVED		
3RD ANGLE		EST. COSMETIC AREA · in <sup>2</sup> (cm <sup>2</sup> )		SCALE		
DATE		DATE		DATE		This document is UNCONTROLLED once printed