



## 10 LED ON-OFF

The LED can be enabled or disabled by using the LED ON/OFF switch or by using D.L. terminal.

### 1 LED ON/OFF Switch (SX-360Z only)



- Use this switch to enable or disable LED.
- This switch has priority to over DL terminal.

### 2 DL Terminal (for LED remote control)

- LED can be enabled or disabled remotely by using DL terminal.

	Remote operation
LED Enabled	Connect DL terminal to common ground.
LED Disabled	Open DL terminal circuit.

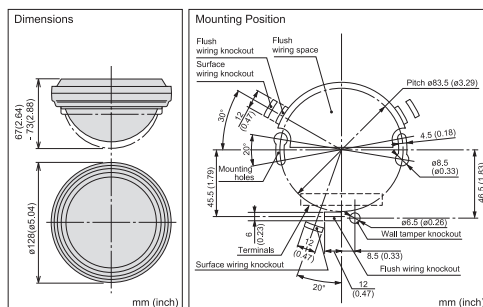
**Note>>**

- LED operation does not affect the alarm memory functions.
- DL terminal common line is same as terminal of POWER INPUT.

## 12 SPECIFICATIONS

Model	SX-360Z
Detection method	Passive Infrared
Detection zones	276 zones
Mounting location	Ceiling
Coverage / Mounting height	ø18 m (ø60 ft.) at 2.4–5.0 m (8–16 ft.)
Optical design	360° ZOOM
LED indicator	LED is blinking during warm-up period. Alarm condition
Alarm period	2.0 ±0.5 sec.
Alarm output	N.C., 28 VDC 0.2 A (max.)
Tamper switch	N.C., Opens when cover removed.
Tamper output	30 V DC 0.1 A (max.)
Pulse Count	20 ±5 sec. 1, 2 or 4
Warm up period	Approx. 20 sec. (LED blinks.)
Power input	9.5 to 18 VDC
Current draw	16 mA (normal), 18 mA (max.)
Weight	224 g (7.90 oz)
Operating temperature	-20°C to +50°C (-4°F to +122°F)
Environment humidity	95% (max.)
RF interference	No Alarm 30 V/m

Model	SX-360ZV
Alarm memory	Armed : 0 to 1 VDC. See section 8.
Initial Alarm memory	Max.40 detectors See section 8.
Current draw	16 mA (normal), 28 mA (max)
Weight	227 g (8.00 oz.)
RF interference	No Alarm 30 V/m



\* Specifications and design are subject to change without prior notice.

**Note>>**

- This unit is designed to detect movement of an intruder and activate an alarm control panel. Being only a part of a complete system, we cannot accept responsibility for any damages or other consequences resulting from an intrusion.
- This Product conforms to the EMC Directive, 2004/108/EC.
- The ULC products are installed in accordance with the Canadian Code as per Section 4.3 of ULC-S306.

## 13 COMPLIANCE



EMC Directive (SX-360Z)  
2004/108/EC EN50131-1 Grades and Environmental Class:  
EN 50130-4: 2011 Security Grade 2 and Environmental Class II.  
EN 55022: 2010 EN 50131-2-2  
PD6662:2010 Tested and certified by Tefelocation.

larm klass 2, miljõ klass II, SSF 1014 v4

UL/c-UL Listed



OPTEX CO., LTD. (JAPAN)  
URL: <http://www.optex.net/>

OPTEX INC. (U.S.)  
URL: <http://www.optexamerica.com/>

OPTEX TECHNOLOGIES B.V. (The Netherlands)  
URL: <http://www.optex.eu/>

OPTEX DO BRASIL LTDA. (Brazil)  
URL: <http://www.optex.net/br/es/sec/>

OPTEX SECURITY SAS (France)  
URL: <http://www.optex-security.com/>

OPTEX (EUROPE) LTD. / EMEA HQ (U.K.)  
URL: <http://www.optexeurope.com/>

OPTEX SECURITY Sp.z o.o. (Poland)  
URL: <http://www.optex.com.pl/>

OPTEX PINNACLE INDIA, PVT., LTD. (India)  
URL: <http://www.optex.net/in/en/sec/>

OPTEX KOREA CO.,LTD. (Korea)  
URL: <http://www.optexkorea.com/>

OPTEX (DONGGUAN) CO.,LTD. SHANGHAI OFFICE (China)  
URL: <http://www.optexchina.com/>

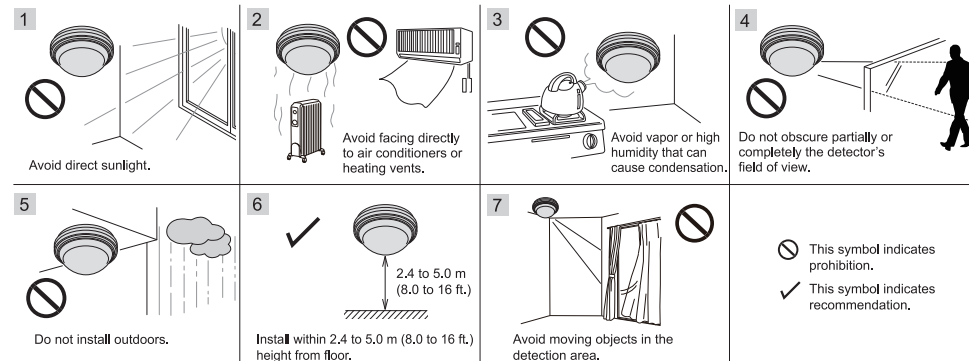


## 360° CEILING MOUNT PASSIVE INFRARED DETECTOR SX-360Z, SX-360ZV

### FEATURES

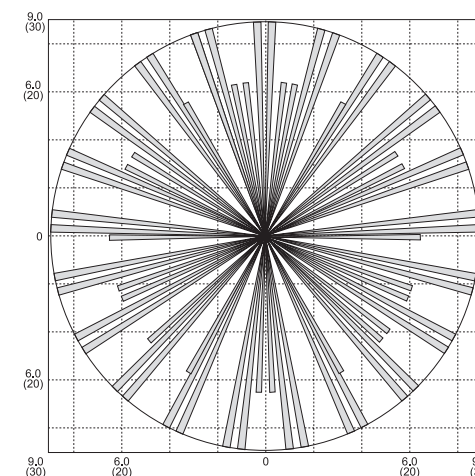
- Ceiling mount 360° PIR detector
- Zoom area adjustment : ø18 m (ø60 ft.) at 2.4 –5.0 m (8 –16 ft.)
- High density detection area with 276 zones
- Selectable sensitivity (High, Medium or Low)
- Selectable pulse count (TEST, 2 or 4)
- Initial alarm memory (SX-360ZV)
- LED remote control terminal

## 1 INSTALLATION HINTS

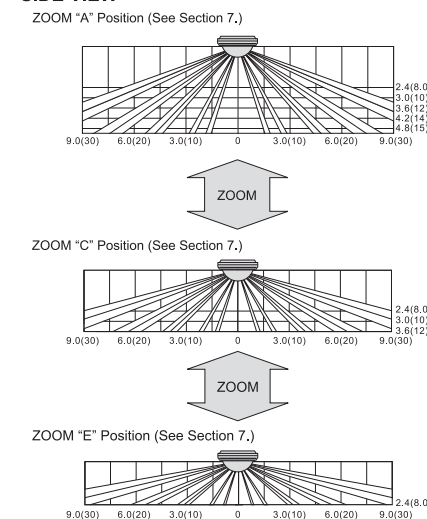


## 2 DETECTION AREA

### TOP VIEW

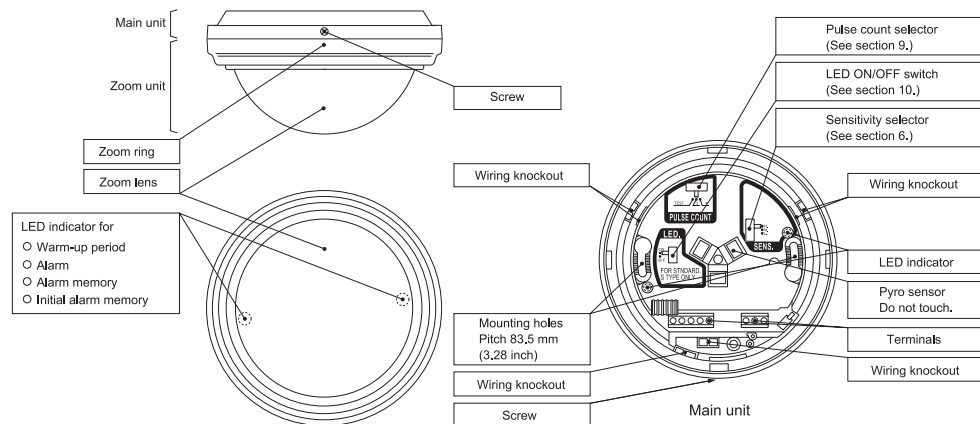


### SIDE VIEW

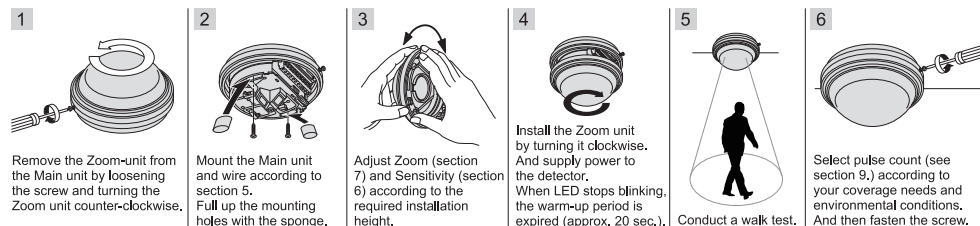


Unit: m (ft)

### 3 PARTS IDENTIFICATION



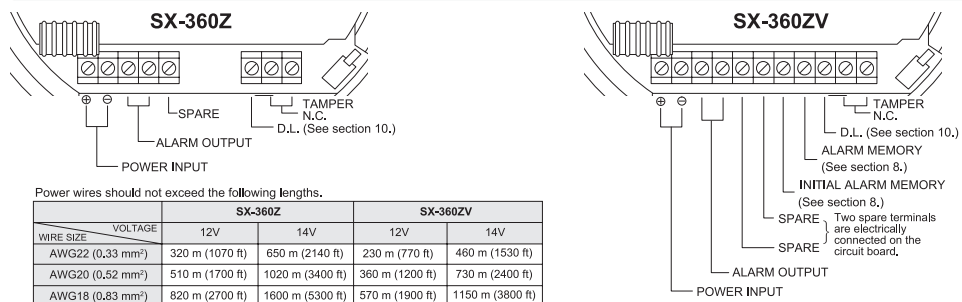
### 4 INSTALLATION METHOD



**Note>>**

- When the warm-up period is expired, alarm is generated once. This is an electric characteristic of SX-360Z and not a mal-function.
- Conduct a walk test at least once a year.

### 5 WIRING

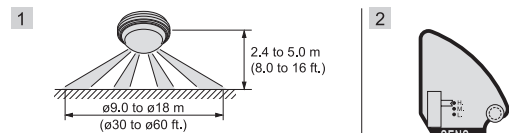


Power wires should not exceed the following lengths.

WIRE SIZE	VOLTAGE	SX-360Z		SX-360ZV	
		12V	14V	12V	14V
AWG22 (0.33 mm <sup>2</sup> )		320 m (1070 ft)	650 m (2140 ft)	230 m (770 ft)	460 m (1530 ft)
AWG20 (0.52 mm <sup>2</sup> )		510 m (1700 ft)	1020 m (3400 ft)	360 m (1200 ft)	730 m (2400 ft)
AWG18 (0.83 mm <sup>2</sup> )		820 m (2700 ft)	1600 m (5300 ft)	570 m (1900 ft)	1150 m (3800 ft)

- When using two or more units on one wire, the maximum length is obtained by dividing the above length by the number of units used.
- UL requires SX-360Z to be connected to a UL listed power supply capable of providing a nominal input of 12 VDC and battery standby time of 4 hours.

### 6 SENSITIVITY ADJUSTMENT



Before making adjustments, determine the mounting height and detection area. (See section 7.)

Select the sensitivity "H (High)", "M (Medium)" or "L (Low)". The following chart shows recommended setting for diameter of detection area.

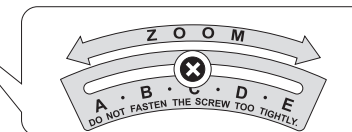
SENS.	L	M	H
DIAMETER OF DETECTION AREA	9.0 to 12 m (30 to 40 ft.)	12 to 15 m (40 to 50 ft.)	15 to 18 m (50 to 60 ft.)

### 7 ZOOM AREA ADJUSTMENT

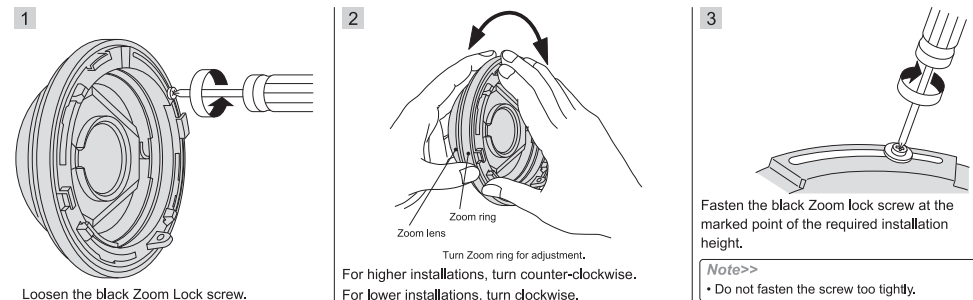
The SX-360Z series detection pattern can be adjusted for installations at any height, between 2.4 to 5.0 m (8.0 to 16 ft.)

**<DETECTION AREA CHART>** Unit: m (ft.)

MOUNTING HEIGHT	ZOOM-LOCK SCREW				
	A	B	C	D	E
5.0 m (16 ft.)	φ18 (φ60)	-	-	-	-
4.3 m (14 ft.)	φ16 (φ52)	φ18 (φ60)	-	-	-
3.7 m (12 ft.)	φ14 (φ48)	φ15 (φ50)	φ18	-	-
3.0 m (10 ft.)	φ11 (φ37)	φ12 (φ40)	φ15	φ18	-
2.4 m (8.0 ft.)	φ9.0 (φ30)	φ10 (φ34)	φ12	φ15	φ18



#### <ADJUSTING THE ZOOM UNIT>



### 8 INITIAL ALARM MEMORY & ALARM MEMORY (SX-360ZV)

The SX-360ZV can indicate an alarm history during armed period by wiring ALARM MEMORY terminal (A.M.) shown in the following section. It indicates on the LED after the system is disarmed. In case that several detectors are connected in one loop, it can indicate which one detected intrusions. In addition, by wiring INITIAL ALARM MEMORY terminal (I.A.), detectors can indicate which one detected intrusion first.

#### 1 System status

The detector recognizes whether the system is armed or disarmed by detecting the voltage of control panel output through the A.M. terminal.

Status	Control panel output
System armed	0 - 1 VDC (grounded)
System disarmed	Open

"grounded"= A.M. terminal is electrically connected with ⊖ power supply terminal (ground).

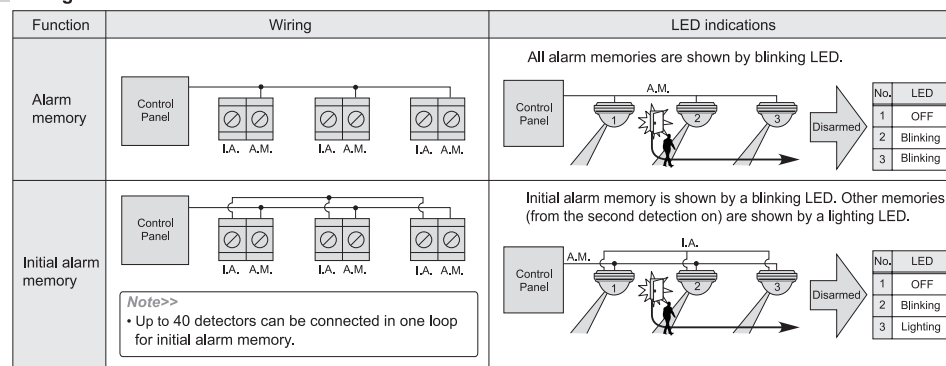
#### 2 Reset

Alarm memories are reset automatically when the system is armed again.

**Note>>**

- A suitable control panel is required for alarm memory.
- Alarm memory is operated whether the LED is disabled or not.
- Alarm memory is not latched while system is disarmed.
- LED operation and alarm output are not affected by the status of alarm memory function while system is armed.

#### 3 Wiring and LED indications



### 9 PULSE COUNT ADJUSTMENT



Adjust pulse count as follows.

PULSE COUNT	TEST	2	4
USAGE	Instant alarm mode Select this position for walk test only.	Factory default position Select this position for most applications.	For bad environments, changing temperatures etc.