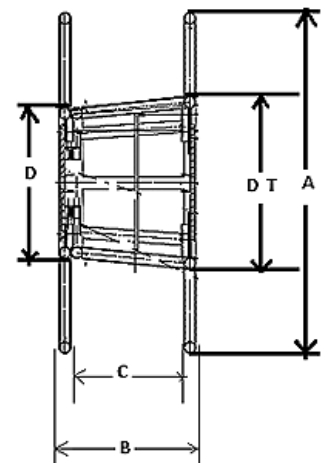
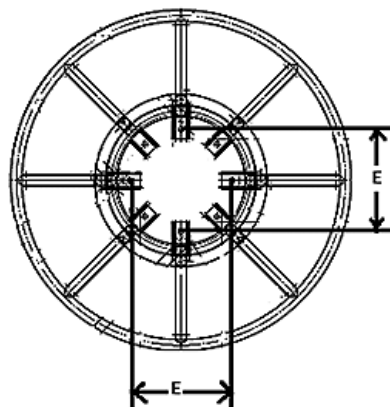
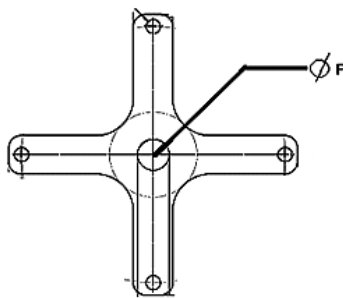


Steel Reels

Our steel reels are welded of steel tubes and afterwards hot-dip galvanized. For Zeck Pullers we supply them with lasered cross plates. These reels are available in sizes of 1,100 up to 1,800 mm diameter. Detachable reels are supplied for re-conductoring works, when the wound up conductor needs to be scrapped. For extra long lengths of wire rope we supply galvanized steel drums with a capacity up to 13,000 KG.



For special lengths of wire rope we supply steel drums of any customized size and strength.

NON DETACHABLE

part #	part # Zeck GmbH	dimensions in mm							weight Kg
		A	B	C	D	DT	E	F	
TSR-01-1100	77-9034	1100	560	460	570	420	50	71
TSR-01-1400	77-9035	1400	560	460	570	420	50	82
TSR-01-1800	77-9037	1800	560	460	570	420	50	100

DETACHABLE

part #	part # Zeck GmbH	dimensions in mm							weight Kg
		A	B	C	D	DT	E	F	
DSR-01-1100	77-9052	1100	560	460	570	680	420	50	79
DSR-01-1100	77-9054	1400	560	460	570	715	420	50	93