

Insulating sticks for earthing devices

- Purpose-Designed for Heavy Loads -

Pre - Special Sticks for Heavy Loads

Standard : IEC 60855-60832

Use : - Earthing on high and very high voltage lines and substations,
- All works involving heavy mechanical constraints.

- Composite fibreglass tubing of Ø 39mm on polyurethane foam, compliant with IEC 60855 (series test and water penetration).
- Longitudinal dielectrical strength 100 kV/30 cm guaranteed in wet conditions.
- Joints using screws ref. S46 in light alloy with brake and protective sheath.
- Elastomer handguard defining the limit of the attachment zone.
- Grooved non-slip shaft. Length and order references: see table.

Composition:

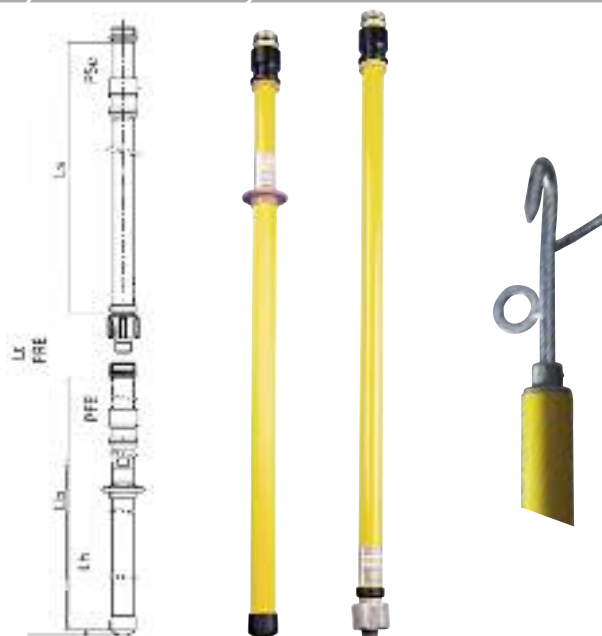
The Pre in several sections is always made up of:

- a PFE__ basic element
- of one or several top PSE__ elements
- an S46__ end fitting compatible with the end fitting of the manoeuvring clamp

Fixed terminal end fittings:

The arch (AN) and hexagonal fittings (HE) may be permanently fitted to the end section: to be specified when ordering, or see the standard references in the table.

For the choice of ends: see example Pre2-400HE.



INSULATING STICKS

Réf.	Total Length Lt (m)	Length Lh (m)	Length Ls (m) ou Lb (m)	Weight (kg)	Soft Case	Description	Type
Pre1-100	1.05	0.25	1	1.10	H 10	39 mm Ø TUBE to IEC/CEI 60855	Single Element Sticks
Pre1-150	1.55	0.50	1.5	1.50	H 10	39 mm Ø TUBE to IEC/CEI 60855	Single Element Sticks
Pre1-200	2.05	0.70	2	1.90	H 11	39 mm Ø TUBE to IEC/CEI 60855	Single Element Sticks
Pre1-250	2.55	0.90	2.5	2.30	HTR12750	39 mm Ø TUBE to IEC/CEI 60855	Single Element Sticks
Pre1-300	3.05	1	3	2.60	H 12	39 mm Ø TUBE to IEC/CEI 60855	Single Element Sticks
Pre1-400	4.05	1.20	4	3.40	H 13	39 mm Ø TUBE to IEC/CEI 60855	Single Element Sticks
Pre2-200	2.10	0.70	1 + 1	2.30	H 30a	39 mm Ø TUBE to IEC/CEI 60855	Single Element Sticks
Pre2-300	3.10	1	1.50 + 1.50	3.00	H 31a	39 mm Ø TUBE to IEC/CEI 60855	Single Element Sticks
Pre2-400	4.10	1.50	2 + 2	3.80	H 32a	39 mm Ø TUBE to IEC/CEI 60855	Single Element Sticks
Pre3-300	3.15	0.70	2 + 2 x 1	3.40	H 30a	39 mm Ø TUBE to IEC/CEI 60855	Single Element Sticks
Pre3-450	4.65	1	1.50 + 2 x 1.50	4.50	H 31a	39 mm Ø TUBE to IEC/CEI 60855	Single Element Sticks
Pre3-600	6.15	1.50	2 + 2 x 2	5.70	H 32a	39 mm Ø TUBE to IEC/CEI 60855	Single Element Sticks
PSE100	1.10		1	1.10		39 mm Ø TUBE to IEC/CEI 60855	Extensions
PSE150	1.60		1.5	1.50		39 mm Ø TUBE to IEC/CEI 60855	Extensions
PSE200	2.00		2	1.90		39 mm Ø TUBE to IEC/CEI 60855	Extensions
PSE250	2.50		2.5	2.30		39 mm Ø TUBE to IEC/CEI 60855	Extensions
PSE300	3.00		3	2.80		39 mm Ø TUBE to IEC/CEI 60855	Extensions
PSE100ANC	1.27		1	1.20		39 mm Ø TUBE to IEC/CEI 60855	AN Terminal
PSE200ANC	2.27		2	2.00		39 mm Ø TUBE to IEC/CEI 60855	AN Terminal
PSE100HE	1.15		1	1.20		39 mm Ø TUBE to IEC/CEI 60855	HE Terminal
PSE200HE	2.15		2	2.00		39 mm Ø TUBE to IEC/CEI 60855	HE Terminal
PFE100	1.05	0,70	1	1.10		39 mm Ø TUBE to IEC/CEI 60855	Shafts
PFE150	1.55	1	1.5	1.50		39 mm Ø TUBE to IEC/CEI 60855	Shafts
PFE200	2.05	1,50	2	1.90		39 mm Ø TUBE to IEC/CEI 60855	Shafts
PFE250	2.55	1,50	2.5	2.40		39 mm Ø TUBE to IEC/CEI 60855	Shafts
PFE300	3.05	1,50	3	2.90		39 mm Ø TUBE to IEC/CEI 60855	Shafts
PFE100ANC	1.20	0.45	1	1.20		39 mm Ø TUBE to IEC/CEI 60855	AN Shafts
PFE200ANC	2.20	0.70	2	2.00		39 mm Ø TUBE to IEC/CEI 60855	AN Shafts
PFE100HE	1.10	0.45	1	1.20		39 mm Ø TUBE to IEC/CEI 60855	HE Shafts
PFE200HE	2.10	0.70	2	2.00		39 mm Ø TUBE to IEC/CEI 60855	HE Shafts



Standard : IEC 60855-60832

Choice of End Fittings

Réf.	Type of end fitting	Use
① S46	Direct clamp fixing	X46
② S46HE	Hexagonal	HE
③ S46AN	Ring / Arch	AN
④ S46CL	Bell	CL
⑤ S46B	Bayonet	B
⑥ S46U	Universal	U
⑦ S46CH	Connection at height	CH
⑤⑦ S46BCL	Bayonet Bell	BCL