

Primary Injection Kit : MOT-PIK Series

The MOTWANE make primary current injection MOT-PIK series is most reliable & effective kit for testing & commissioning of protection system in electrical substation. The PIK series offer high output current up to 3000 Amps with relatively high burden up to 20KVA. It is designed with user friendly features to check operations of the component in protection system including CT, CB, current sensor & relays etc. The Motwane PIK with high VA burden makes it possible to deliver required current to high impedance object like CTs. It has optional feature to measure CT ratio & polarity.

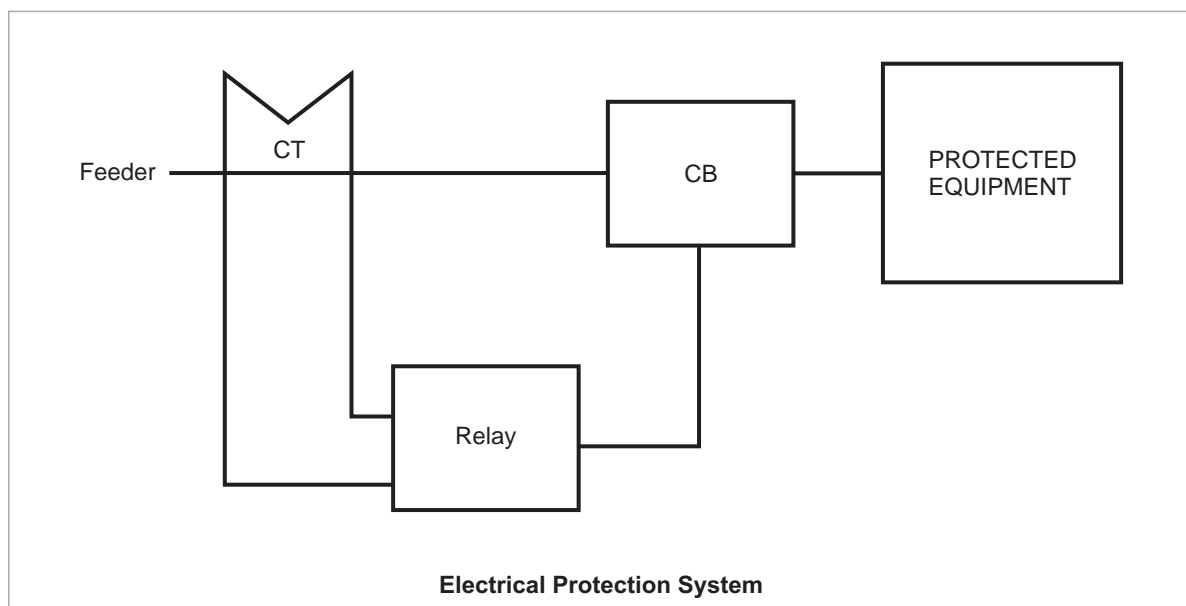
Features

- Zero start interlock for safety
- Continuously variable output current
- High VA burden to test high impedance object
- Digital timer for measuring tripping time
- Auto trip at 120% of selected range
- Current range
(Low - 50% & High - 100% of full range)
- Wheel mounted for easy transportation



Applications

Motwane make Primary Current Injection Kits are used to test Circuit Breakers, Bus Bars, CTs, Relays, MCBs, MCCBs etc. These are also used for high current injection during commissioning of protection systems and after major repairs and component replacement in power substations.



Technical Specifications

Specification	PIK500	PIK800	PIK1000	PIK1500	PIK2000	PIK2500	PIK3000
Output current	0-500A	0-800A	0-1000A	0-1500A	0-2000A	0-2500A	0-3000A
Accuracy	±1.5% of Reading						
Resolution	0.1% of full scale (Current range in percentage)						
OCV	6V	6.2V	5V	6.6V	7.5V	6V	6.67V
Burden	3KVA	5KVA	5KVA	10KVA	15KVA	15KVA	20KVA
Timer	0.0001 to 9999 sec Auto ranging, timer operation by potential free contact						
Accuracy	±0.05% + 1 count						
Mains supply	230Vac,50Hz ±10 %						
Operation	Manual			Motorized			
Duty cycle	10 min On,20 min Off						
Display	LED						
Indication	Bright LED for Test ON and Power ON operation						
Protection & safety	Protected by MCB HRC fuse Zero start interlock						
Unit	Combined control & loading unit			Separate control & loading unit			
Operating Temperature	0-55°C ,5-90% RH Non Condensing						
Standard Output cables	120 mm ² (2X5)mtr	180mm ² (2X5)mtr	240mm ² (2X5)mtr	400 mm ² (2X7)mtr	480 mm ² (2X10)mtr	600 mm ² (2X10)mtr	720mm ² (2X10)mtr

Standard Accessories

- Test Lead set: pair of cotton braided copper cable with lugs at both end
- Mains Cord
- Spare Fuse
- Instruction manual
- Calibration certificate
- Warranty certificate



Cotton braided copper cable

Optional Accessories

- Test Lead set: pair of PVC copper cable with lug at one end & C clamp at another end

Optional Features

- Measurement of CT Ratio & Polarity
- Auxiliary variable AC/DC voltage 0-250V
- Measurement of Open Circuit Voltage

ORDERING INFORMATION

Model	Product detail
MOT-PIK500/3	Primary Current Injection Kit : 500A with 3KVA Burden
MOT-PIK800/5	Primary Current Injection Kit : 800A with 5KVA Burden
MOT-PIK1000/5	Primary Current Injection Kit : 1000A with 5KVA Burden
MOT-PIK1500/10	Primary Current Injection Kit : 1500A with 10KVA Burden
MOT-PIK2000/15	Primary Current Injection Kit : 2000A with 15KVA Burden
MOT-PIK2500/15	Primary Current Injection Kit : 2500A with 15KVA Burden
MOT-PIK3000/20	Primary Current Injection Kit : 3000A with 20KVA Burden

Notes

1.The Instrument is accompanied with Test & calibration sheet. 2.Test Facilities can be provided at the factory with the available test set-ups only. 3. The Company's policy is continuous improvement of its products. We therefore reserve the Right of any deviation from illustration or specifications without notice. 4.Stated accuracies are valid from 10% of the range to 95% of the range. 5. Accuracy Specified for temperature range of 25°C ± 5°C & 55% RH ±10%.

Warranty : Standard one year warranty against any manufacturing defects.

Designed and Manufactured by:



The Motwane Manufacturing Company Pvt. Ltd.

Gyan Baug, Motwane Road, Nashik, Maharashtra, India.

Tel. No.: +91-253-2463752 / 53 Fax.:+91-253-2463197

Toll Free:1800 - 233 - 7766

E-mail: sales@motwane.com visit : www.motwane.com

