

Model TSRT

Temperature Transmitter

Description

TSRT sensing element has excellent properties by using RTD and remote transmission is implemented with the 2wire 4~20mA output. It is Protection (IP65) to be used under poor environments.

Features

- ▶ Two wire 4~20mA output
- ▶ Measuring range -50~400°C
- ▶ 0.5%FS accuracy
- ▶ Stainless steel(316L) media-wetted materials

Applications

- ▶ Chemical & Petrochemical
- ▶ Process Control & Monitoring
- ▶ Food & Pharmaceutical
- ▶ Plant utility monitoring



Specifications

Range

-50~0, -50~50, 0~50, 100, 200, 300, 400°C

Sensing Element

Sheathed RTD(PT100Ω)

Performance

Accuracy	±0.5%FS
Ambient Temperature Range	-20 ~ 80°C
Storage Temperature Range	-40 ~ 100°C

Electrical

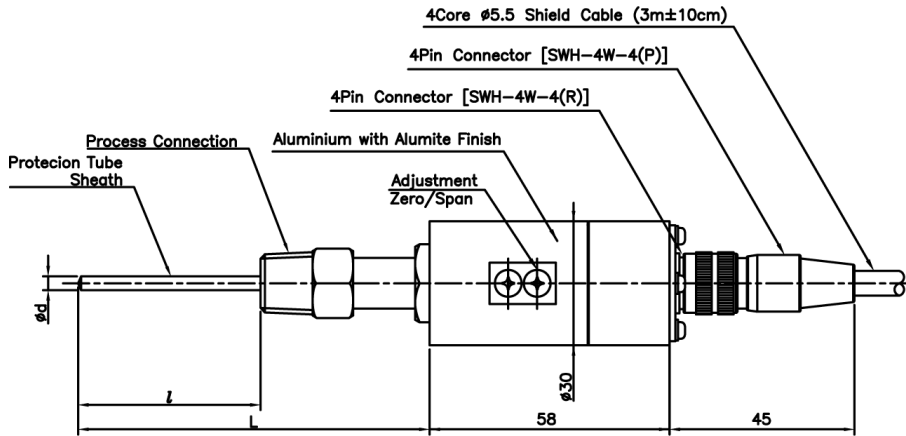
Excitation	11 ~ 28VDC
Output	4~20mA(2Wire)
Electrical Connection	Connector, DIN Connector, Head-G(PF)1/2"

Physical

Vibration	49.1m/s ² {5G}, 10~500Hz
Shock	490m/s ² {50G}
Process Connection	R(PT)1/2", Flange & Other Connection Available on Request
Media-Wetted Materials	Stainless Steel 316, Other Available on Request
Protection	IP65 (Only DIN Connector, Head)
Weight	Approx. 300g (Standard type only)

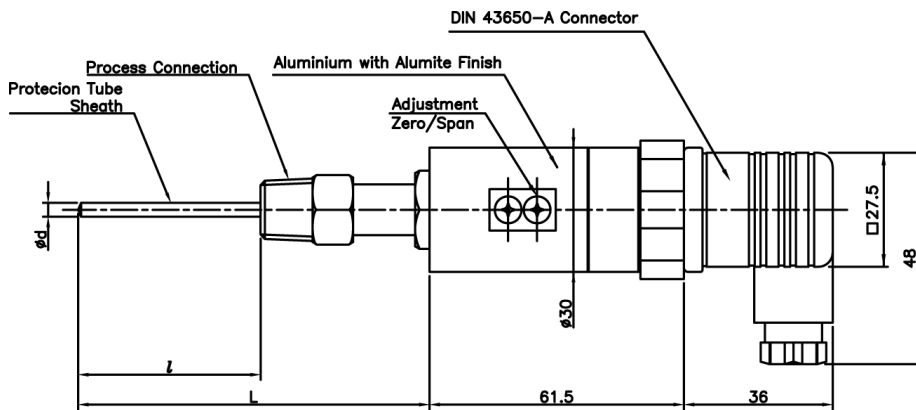
Dimension

► Connector Type



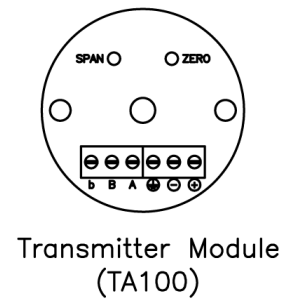
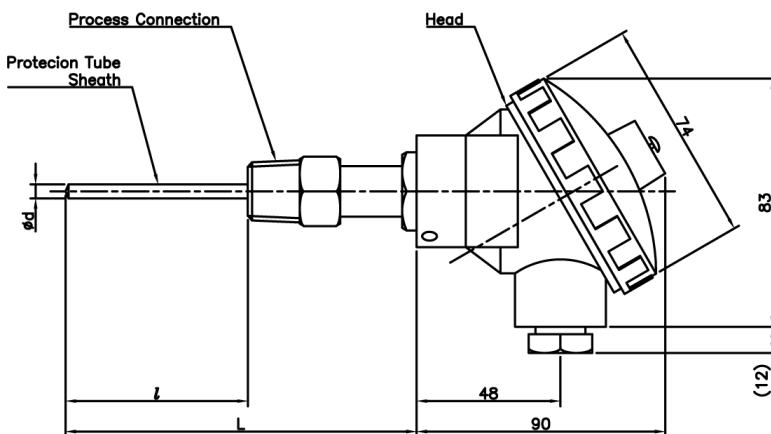
Pin No.	Wire Color	Connections
1	Red	Input ⊕
2	-	x
3	Black	Output ⊕
4	-	x
	Shield	Earth

► Din connector Type



Pin No.	Connections
1	Input ⊕
2	Output ⊕
3	x
⊖	Earth

► Head Type



Pin No.	Connections
A	PT100Ω A
B	PT100Ω B
b	PT100Ω b
⊖	Earth
-	OUTPUT⊕
+	INPUT⊕

Ordering Information

TSRT 000/010 C 48-100/50-G/A-H

Model Name

Low Temperature Range

XXX : Temperature

High Temperature Range

XXX : Temperature

Temperature Unit

C : Celsius(°C)

F : Fahrenheit(°F)

Sheath Out Diameter

32 : Φ3.2

64 : Φ6.4

48 : Φ4.8

80 : Φ8.0

Length

L(mm)

Electrical Connection

P : Connector

I : DIN Connector

H : Head

Material of Protection Tube

A : STS316

D : Titanium

B : STS316L

E : Monel

C : STS304

Process Connection

A : R(PT)3/8"

G : R(PT)1/8"

B : G(PF)3/8"

H : G(PF)1/8"

C : R(PT)1/4"

E : R(PT)1/2"

D : G(PF)1/4"

Q : G(PF)1/2"

Insert Length

ℓ(mm)