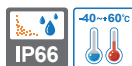


QEAL1

Explosion Proof Low Intensity LED Aviation Obstruction Light



QEAL1 Explosion Proof Low Intensity LED Aviation Obstruction Light

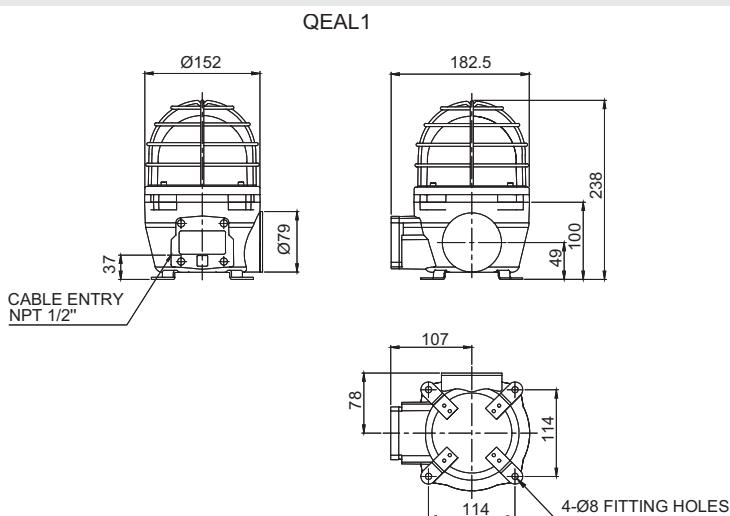
- Low Intensity B type explosion proof aviation obstruction light
- Features high visibility from a distance with the direct LED light distribution system
- Cost savings enabled by using a long lasting LED light source which eliminates the need for maintenance
- Aluminum housing provides excellent durability
- Terminals located inside the housing for wiring
- Protection rating : Ex d IIC T4, IP66



QEAL1

ICAO standard	Low intensity B type		
Light source	High intensity light emitting diodes(LED)		
Light color	Red		
Light function	Steady		
Voltage	DC12V, DC24V, AC110V-220V		
Power consumption	30W		
Standard housing color	Red	Cable entry	1/2" NPT
Materials	Lens-Tempered glass, Housing-Al, Lens ring- SUS316L, Protection cage-STSS316L, Heat sink-Al		
Protection rating	IP66	Ambient operating temperature	-40°C ≤ T _{amb} ≤ +60°C
Certificate	KCs	Luminous intensity	50cd ±25%

Technical Diagram (Units : mm)



Explosion proof aviation obstruction lights are installed within hazardous areas on a surface that is more than 60m from the water surface or land such as towers and smokestacks.

Customization

- Built-in explosion proof cable gland available(Standard type does not provide explosion proof cable gland)
- Customized 2 cable entries available
- Customized cable entry(M20×1.5) available
- Built-in darkness detecting sensor available
- Amber housing, mounting basket is available upon request

Ordering Specification

QEAL1	-	220	-	R
[Model number]		[Voltage]		[Color]
• QEAL1		• 12-DC12V • 24-DC24V • 110/220 -AC110V-220V		• R-Red