

# Model PLN/PLA

## Depth and Level Transmitter

### Description

PL model, the highest precise pneumatic level transmitter, is waterproof up to a depth of 350m and uses the polyurethane vented cable being used in seawater and performing atmospheric compensation. It is appropriate for deep wells and tank level. Depending on the embedded place of an amp. this PL model has both PLN(External amp.) and PLA(Internal amp.). Refer to the dimension.

### Features

- ▶ 4~20mA output
- ▶ Gauge and absolute measurement
- ▶ 0.15%FS accuracy
- ▶ Diameter: PLN(Φ21), PLA(Φ27)
- ▶ Fully sealed construction
- ▶ Vented polyurethane cable
- ▶ Piezoresistive silicon cell
- ▶ Stainless steel(316L) media-wetted materials

### Applications

- ▶ Tank Level Measurement
- ▶ Deep Well Measurement
- ▶ Ship & Marine System
- ▶ Ground & Surface Water Monitoring
- ▶ Geophysical Application
- ▶ Water Supply & Reservoirs

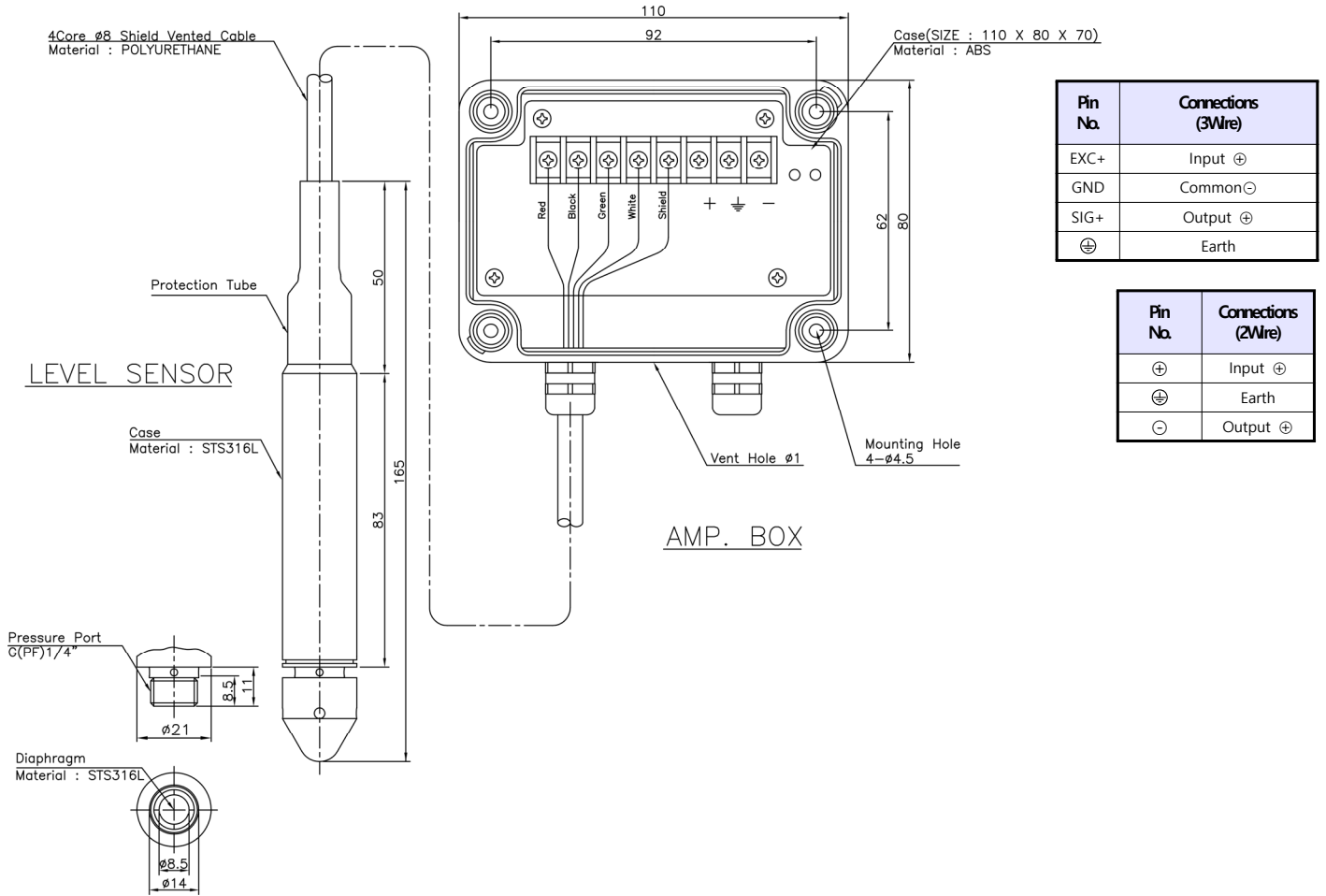


### Specifications

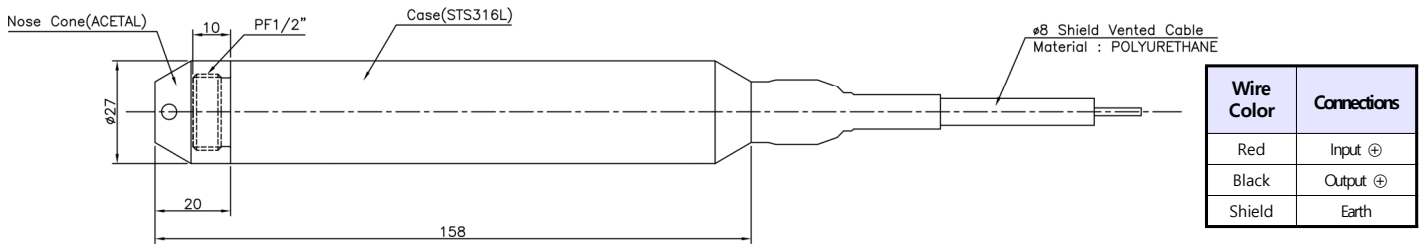
	PLN	PLA
<b>Range</b>		
	0~1, 2, 3, 5, 10, 20, 30, 50, 70, 200, 350 mH2O (Gauge)	
	0~10, 20, 30, 50, 70, 200, 350 mH2O (Absolute)	
<b>Performance</b>		
Accuracy	±0.15%FS(RSS)	
Thermal Effect on Zero	±0.03%FS/°C	
Thermal Effect on Span	±0.03%FS/°C	
Compensated Temperature Range	0 ~ 70°C	
Operating Temperature Range	-20 ~ 80°C	
<b>Electrical</b>		
Excitation	11 ~ 28VDC	
Output	4~20mA(2Wire), 1~5VDC	4~20mA(2Wire)
Electrical Connection	AMP. BOX	Φ8 Vented Tube Polyurethane Cable
<b>Physical</b>		
Proof Pressure	300%FS Max.	
Burst Pressure	400%FS Min.	
Vibration	49.1m/s <sup>2</sup> {5G}, 10~500Hz	
Shock	490m/s <sup>2</sup> {50G}	
Protection	Sensor : IP68	IP68
Media-Wetted Materials	Stainless Steel 316L	Stainless Steel 316L, VITON
Weight	Approx. Sensor 100g, Amp 300g	Approx. Sensor 350g

## Dimension

### ► PLN Model(External Amp.)

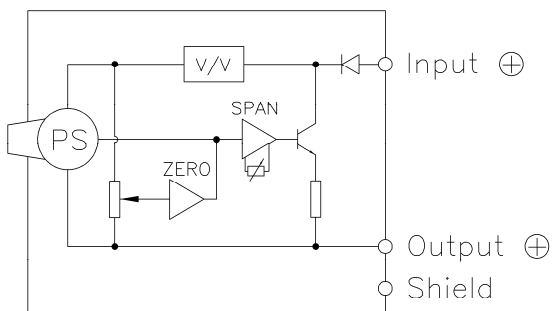


### ► PLA Model(Internal Amp.)

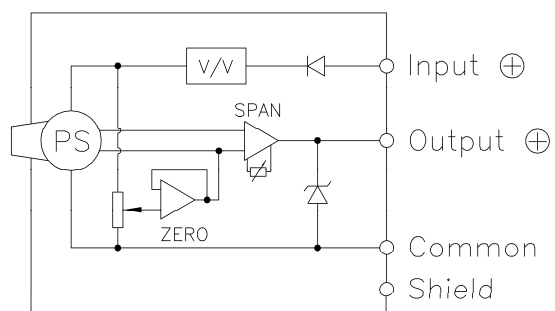


## Internal Circuit Diagram

### ► 2Wire mA Output Type



### ► 3Wire VDC Output Type



## Ordering Information

	PLN	H	0010	K	0	J	G	
<b>Model Name</b> PLN(External amp.) PLA(Internal amp.)								<b>Type of Pressure Measurement</b> G : Gauge J : Absolute
<b>Output</b> E : 1~5VDC H : 4~20mA(2Wire)								<b>Connecting Methods</b> J : Vented Cable
<b>Pressure Range</b> XXXX : Pressure								<b>Pressure port</b> 0 : Nose Cone D : G(PF)1/4" Q : G(PF)1/2"
<b>Pressure Unit</b> R : kPa B : bar P : psi C : cmH <sub>2</sub> O								
				M : MPa K : kgf/cm <sup>2</sup> H : mmHg				