

Model DPM

48mm X 24mm Panel Mounting
Differential Low Pressure Gauge / Switch

Description

DPM model is ideal for the application (such as HVAC) with differential pressure, vacuum pressure, gauge pressure and especially low pressure of non-corrosive gases or air measured. Device for Low Pressure Gauge / Switch, which is using MICOM, improved Accuracy. In order to reduce to the time assembling, may use e-CON Connector.

Features

- ▶ CE Certified
- ▶ 3-1/2 digit LED display
- ▶ 48mm X 24mm Panel Mounting Type
- ▶ e-CON Connector
- ▶ Auto Zero
- ▶ 1~5VDC or 4~20mA analog output(Adjustable Pressure Range)
- ▶ 2Ch NPN Open Collector Alarm output
- ▶ Measuring range : 0~50Pa ... 10kPa, ± 50 Pa ... ± 10 kPa
- ▶ Piezoresistive silicon cell
- ▶ Use with non-corrosive, non-ionic media



Applications

- ▶ Airflow Measurement
- ▶ Room Static Pressure
- ▶ VAV Box
- ▶ Lab/Fume Hood Control
- ▶ Clean Room Control

Specifications

Range

0~50Pa ± 50 Pa	0~100Pa ± 100 Pa	0~200, 300Pa ± 200 Pa, ± 300 Pa	0~500Pa, 1, 2, 4, 10kPa ± 500 Pa, ± 1 , ± 2 , ± 4 , ± 10 kPa
-----------------------	-------------------------	--	---

Performance

Accuracy(Total 0~50°C)	$\pm 5\%$ FS	$\pm 3\%$ FS	$\pm 1.5\%$ FS	$\pm 1\%$ FS
Operating Temperature Range	-5~65°C(No freezing or condensation)			

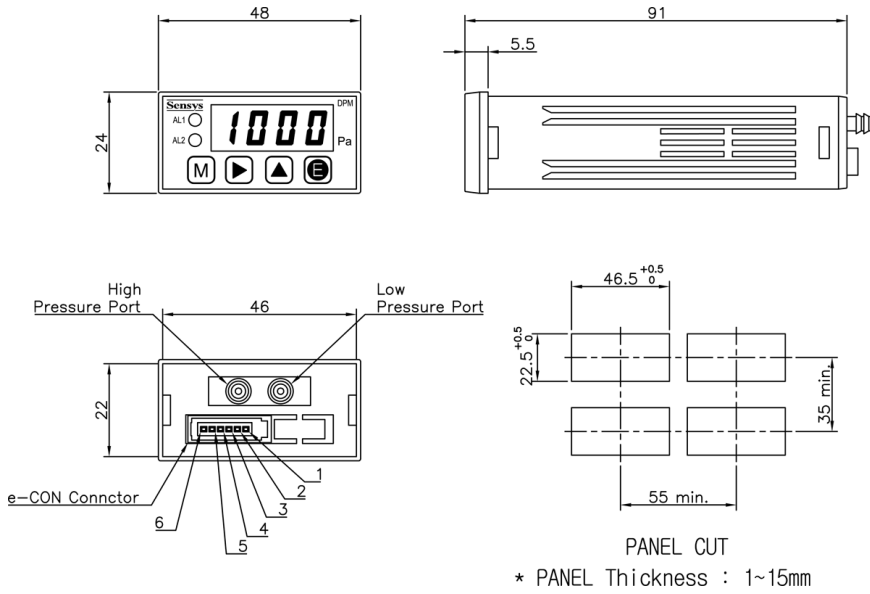
Electrical

Display	3-1/2 Digit LED		
Excitation	12~24VDC $\pm 10\%$		
Output			
Switching Signal	NPN Open Collector TR(80mA, 24VDC) (DPM0 Model : N/A)		
Analog Signal	1~5VDC or 0~5VDC or 0~10VDC or 4~20mA (Adjustable Pressure Range) (DPM0 Model : N/A)		
Response Time	10, 20, 100, 500, 1000, 2000ms		
Electrical Connection	Tyco Electronics AMP 6Pin e-CON Connector(Plug Connector not Include)		

Physical

Proof Pressure	300%FS Max.
Burst Pressure	500%FS Min.
Pressure Port	1/8" Nipple
Media-Wetted Materials	Brass(Ni plated), SiO ₂ , Si Rubber

Dimension



▶ Analog / Alarm Output Type

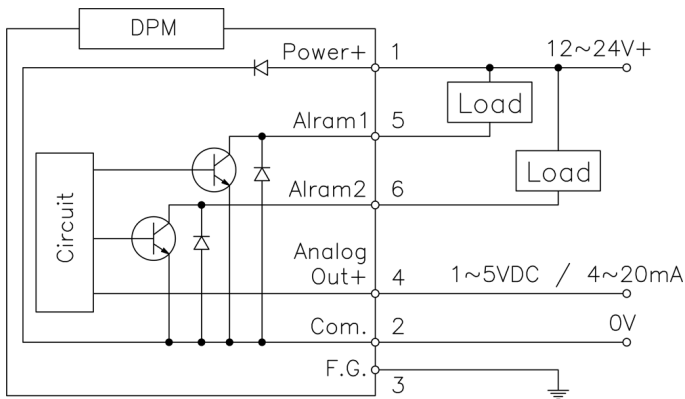
Pin No.	Connections
1	Power+ (12~24VDC)
2	Com.
3	F.G.
4	Analog output+
5	Alarm 1
6	Alarm 2

▶ Only Display Type

Pin No.	Connections
1	Power+ (12~24VDC)
2	Com.
3	F.G.
4	N/A
5	N/A
6	N/A

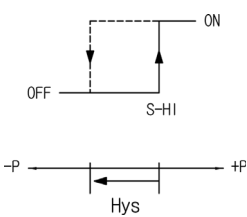
Circuit Diagram

▶ NPN Open Collector Tr. Output

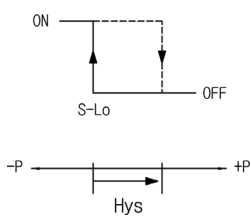


Alarm Mode

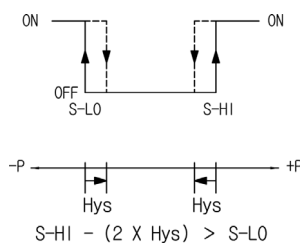
▶ Hi Mode



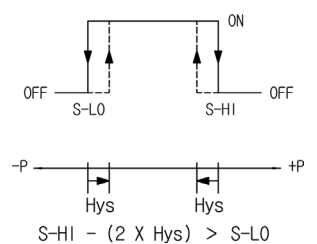
▶ Low Mode



▶ A Mode



▶ B Mode



e-CON Plug Connector

You can choose Tyco Electronics AMP Co, RITS Plug Connector as below table

P/N	Hold Housing Color	Cable / Wire	
		Cross-Section Areas	Diameter of Insulation
3-1473562-6	Orange	0.08~0.25mm ²	0.60~0.90mm
1-1473562-6	Red	0.1~0.5mm ²	0.90~1.00mm
1473562-6	Yellow		1.00~1.15mm
2-1473562-6	Blue		1.15~1.35mm
4-1473562-6	Green	0.2~0.6mm ²	1.35~1.60mm

Ordering Information

Model Name	DPM	G	±001	R	Pressure Unit
Analog Output					A : Pa R : kPa D : mmH ₂ O
C : 0~5V, 2Ch NPN Open Collector TR.					Pressure Range
E : 1~5V, 2Ch NPN Open Collector TR.					XXXX : Pressure
J : 0~10V, 2CH NPN Open Collector TR.					
G : 4~20mA, 2Ch NPN Open Collector TR.					
0 : N/A					