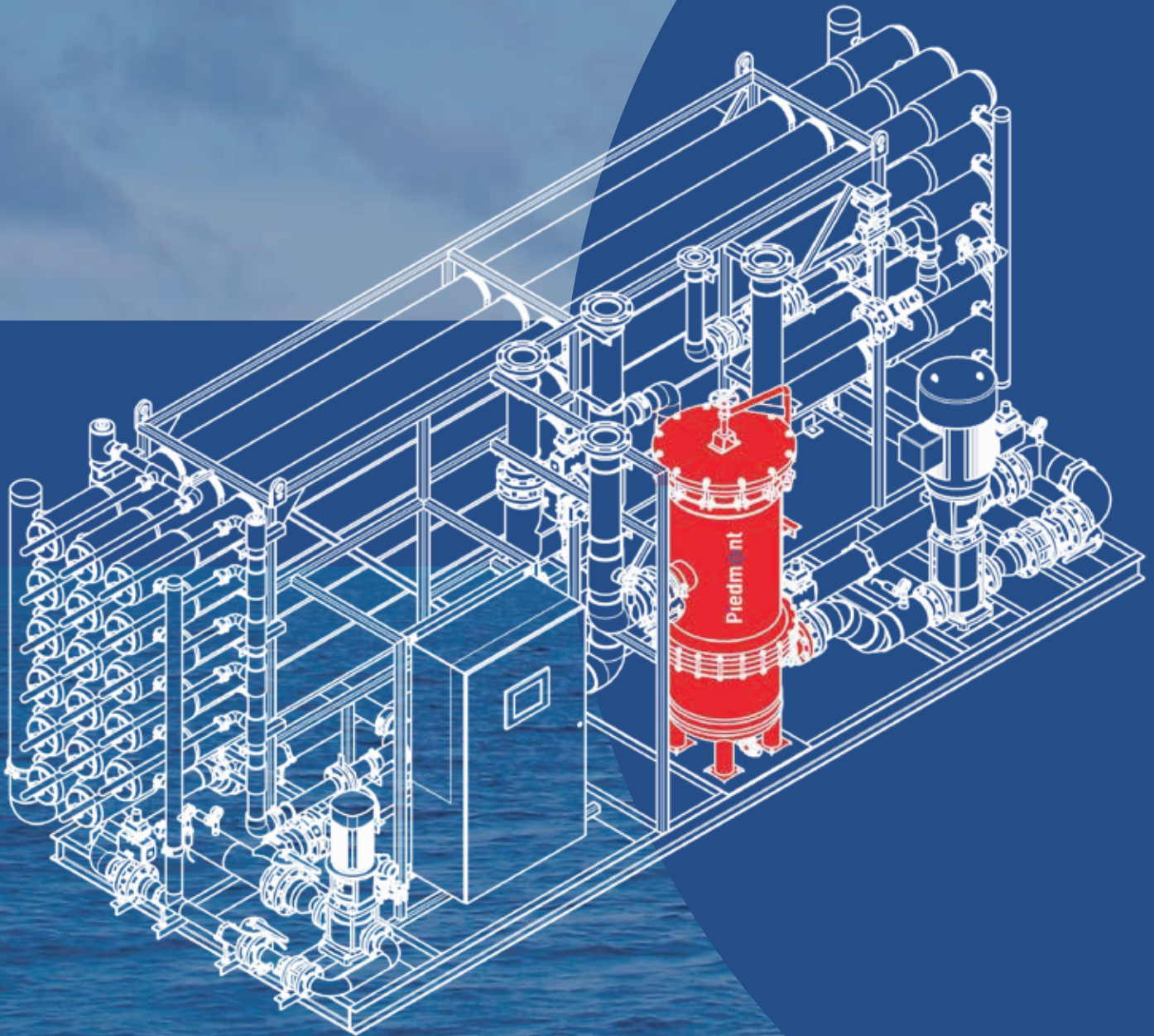


Piedmont



ATS WATER
TECHNOLOGY

FRP CARTRIDGE FILTER HOUSING



FRP CARTRIDGE FILTER HOUSING

(FIBERGLASS REINFORCED POLYESTER)

Available in different capacities, our filter housings are made of fiberglass reinforced polyester (FRP) and include unique components and design elements making them fit for multiple brands of universal cartridge elements. A cost-effective solution, our filter housings are a reliable protection for your BWRO and SWRO membrane systems.

Piedmont's cartridge filter housings are meant for new and existing water treatment plants.

Features / Benefits

- Designed to ASME-X/EN13121 / Ad Merkblatt / BS 4994/ AS1210 code
- Design temperatures up to 90 °C / 194 °F
- Design pressure up to 10 bar / 150 psi
- Horizontal and vertical configuration available
- Internal lining of vinyl ester Derakane 411, FDA/NSF compliant
- Davit arm and swing bolts available
- Coupling or flanged connection available

OUR STANDARD FILTER HOUSINGS ARE DESIGNED WITH GROOVED CONNECTIONS. FLANGE OPTION AVAILABLE.



Standard Optional

CARTRIDGES

(& CONNECTIONS)

- Reinforced, state of the art internal cartridge support rods made out of FRP and polyamide material with a knife-edged sealing for Double Open End (DOE) cartridge connection.
- Suitable for both string wound and melt-blown cartridges
- Outside to inside flow
- Internal support rods
 - Larger open flow area resulting in lower pressure drop
 - High-speed assembly nut for easy and fast cartridge replacement
 - Anti-rotation notch ensuring complete rod will not rotate when removing upper nut
 - Careful selection of materials allowing for design temperatures of 90 °C
 - Increased mechanical resistance by improved manufacturing process
 - Absence of glue
 - Attractive design



Lower DOE knife-edged cartridge seat



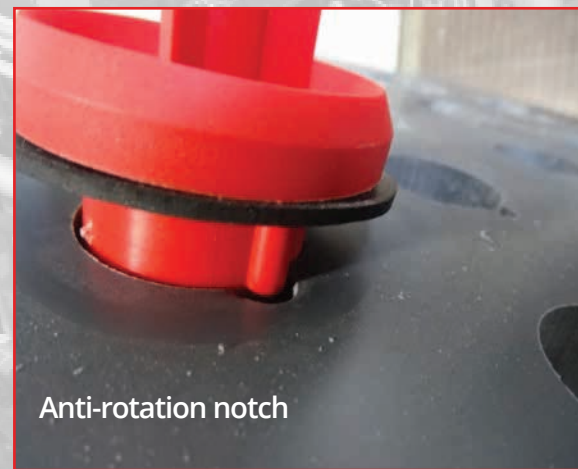
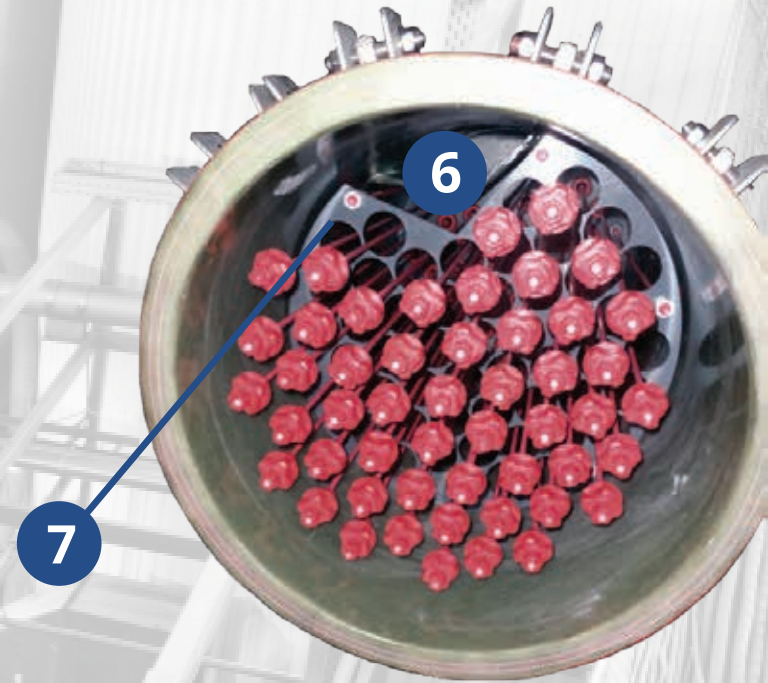
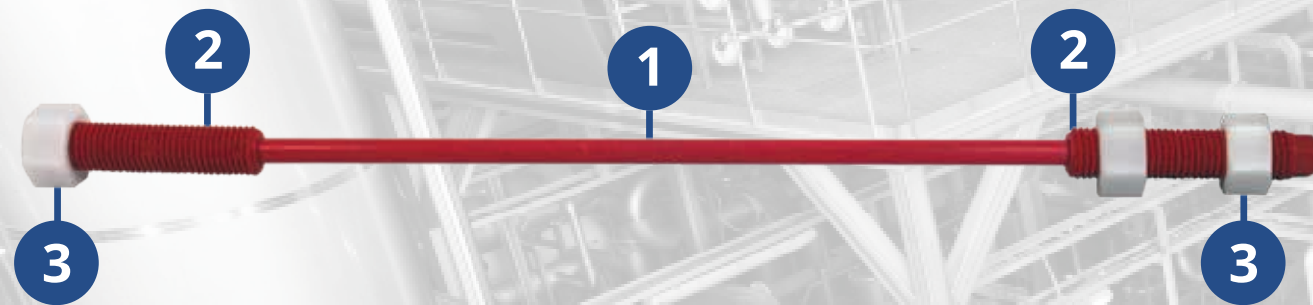
Upper DOE knife-edged high speed nut



SOE connections available
Spring type connection also available



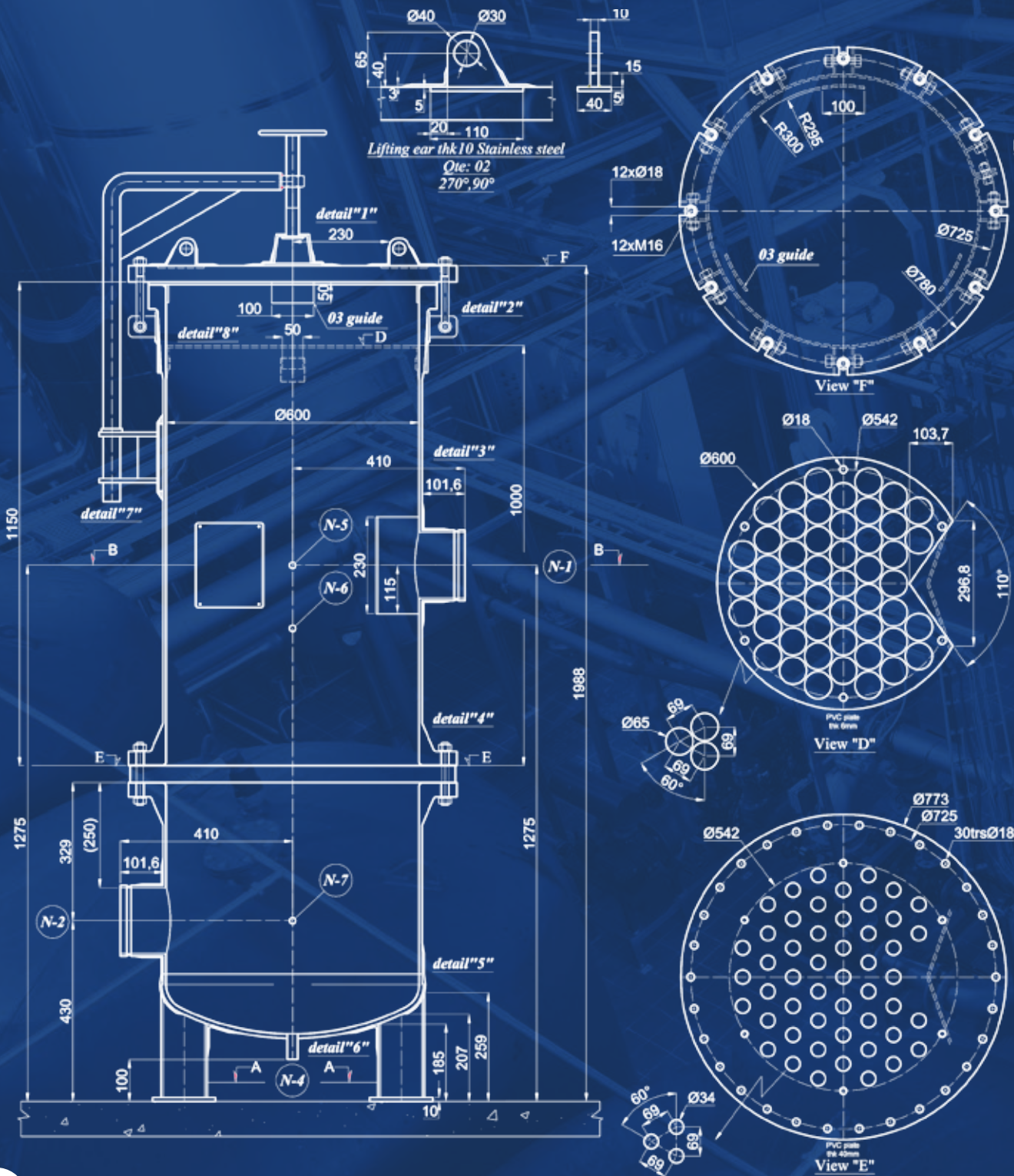
INTERNAL & EXTERNAL FEATURES



MATERIALS LISTING

- | | |
|---|--|
| 1. FRP rod | 9. EPDM gaskets for main flanges |
| 2. Plastic over injection parts in PA + 30% FRP | 10. Support legs can be in: <ul style="list-style-type: none"> • FRP • Carbon steel painted - ISO 12944 C5M (areas with high salinity) • Stainless steel (A4 or A2) |
| 3. Commercial PA + 30% FRP white nut | 11. Inlet/outlet grooved connection (Flange available) |
| 4. EPDM gaskets for support rod sealing | 12. Hoist (lifting arm) - Stainless steel on larger models only |
| 5. 2 x commercial PA + 30% FRP black nut | 13. Stainless steel bolts (A4 or A2), nuts and washers - X-Style only |
| 6. Deflector plate (FRP) | |
| 7. PVC/PP material Internal guide plate | |
| 8. FRP Housing <ul style="list-style-type: none"> • Vinyl Ester resin chemical barrier (FDA & NSF compliant) • Isophthalic resin structural layer | |

FRP FILTER HOUSING STYLES



Q

7-8

QH

9-10

XS

11-12

XSH

13-14

XB

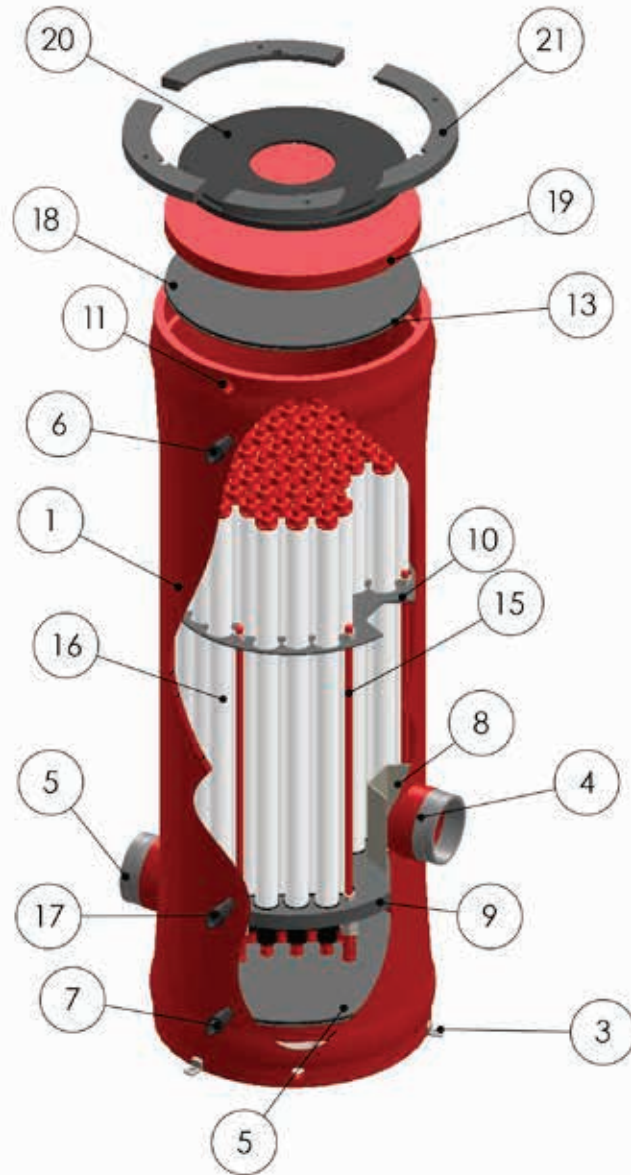
15-16

Q-STYLE SPECIFICATIONS

TECHNICAL DATA SHEET



OUR STANDARD FILTER HOUSINGS ARE DESIGNED WITH PIEDMONT COUPLINGS (OR SIMILAR) FOR A MORE ECONOMIC AND SIMPLE CONNECTION TO YOUR PIPING. HOIST (LIFTING ARM) OPTIONAL.

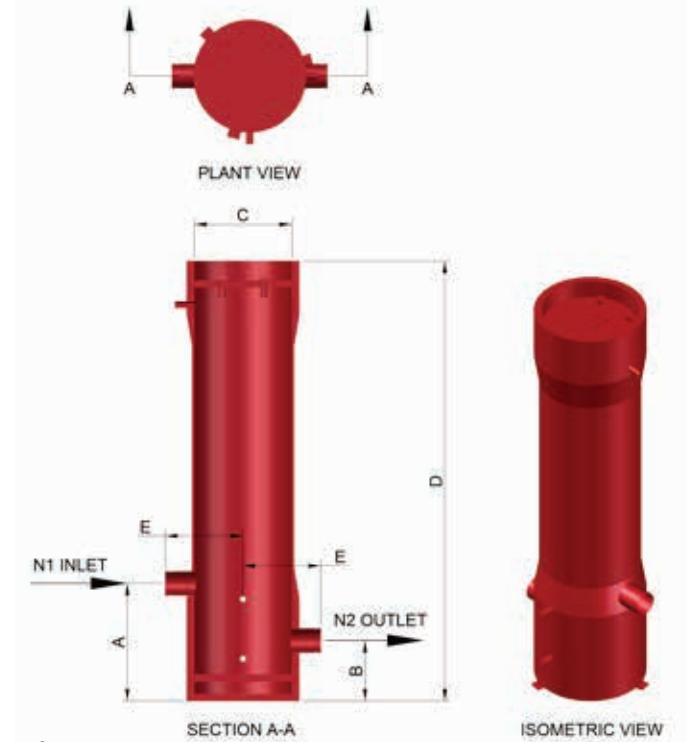


MATERIALS

1. Shell & cap / Main body: FRP
3. Support legs: SS 316
4. Inlet flange: FRP
5. Outlet flange: FRP
6. Air vent: FRP
7. Clean drain: FRP
8. Deflector plate: FRP
9. Tube sheet: PVC/FRP
10. Guide plate: PVC/PP
11. Lifting lugs: FRP
13. Main body gaskets: EPDM
15. Support rod: PA + FRP
16. Cartridge element: PP
17. Dirty drain: FRP
18. O-ring support plate: PVC
19. Structural plate: FRP
20. Securing plate: PP
21. Locking rings: PP

CHARACTERISTICS

Flow rates: 10-550 m³/h
 N° elements: 3-70
 Elements length: 30/40/50/70
 Cartridge flow: Outside-inside
 Housing layout: Vertical
 Features: Quick opening, no bolts
 Ideal: Modular/skid/ container
 Design pressure: 6/10 bar

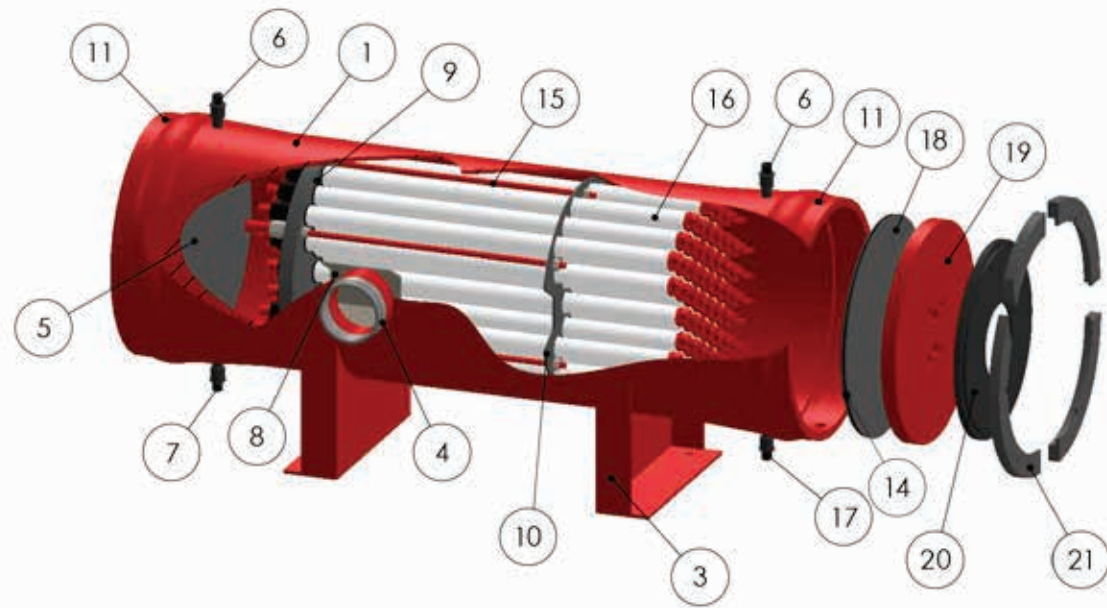


Q-STYLE Quick Opening Cartridge Filter Housing

Filter Housing model reference	Cartridges	Flow at 3gpm - 0,68 m ³ /h per 10"	Flow at 4gpm - 0,91 m ³ /h per 10"	Flow at 5gpm - 1,12 m ³ /h per 10"	N1 / N2 (inch / mm)	A (inch / mm)	B (inch / mm)	C (inch / mm)	D (inch / mm)	E (inch / mm)
	Qty. x Length									
Q-PCF-3-30	3 x 30	27 / 6	36 / 8	45 / 10	1.5 / 40	9 / 235	3 / 85	6 / 150	41 / 1046	6 / 150
Q-PCF-3-40	3 x 40	36 / 8	48 / 11	60 / 13	2 / 40	9 / 235	3 / 85	6 / 150	51 / 1300	6 / 150
Q-PCF-3-50	3 x 50	45 / 10	60 / 14	75 / 17	2 / 50	9 / 235	3 / 85	6 / 150	61 / 1554	6 / 150
Q-PCF-5-30	5 x 30	45 / 10	60 / 14	75 / 17	2 / 50	9 / 235	3 / 85	8 / 200	41 / 1046	7 / 180
Q-PCF-5-40	5 x 40	60 / 14	80 / 18	100 / 22	2.5 / 80	9 / 235	3 / 85	8 / 200	51 / 1300	7 / 180
Q-PCF-5-50	5 x 50	75 / 17	100 / 23	125 / 28	2.5 / 80	9 / 235	3 / 85	8 / 200	61 / 1554	7 / 180
Q-PCF-6-30	6 x 30	54 / 12	72 / 16	90 / 20	2 / 50	17 / 443	8 / 200	10 / 250	61 / 1559	8 / 210
Q-PCF-6-40	6 x 40	72 / 16	96 / 22	120 / 27	2.5 / 80	17 / 443	8 / 200	10 / 250	71 / 1813	8 / 210
Q-PCF-6-50	6 x 50	90 / 20	120 / 27	150 / 34	2.5 / 80	17 / 443	8 / 200	10 / 250	81 / 2067	8 / 210
Q-PCF-12-30	12 x 30	108 / 24	144 / 33	180 / 40	3 / 80	19 / 473	9 / 230	12 / 300	61 / 1559	10 / 260
Q-PCF-12-40	12 x 40	144 / 33	192 / 44	240 / 54	4 / 80	19 / 473	9 / 230	12 / 300	71 / 1813	10 / 260
Q-PCF-12-50	12 x 50	180 / 81	240 / 55	300 / 67	4 / 100	19 / 473	9 / 230	12 / 300	81 / 2067	10 / 260
Q-PCF-22-30	22 x 30	198 / 45	264 / 60	330 / 74	4 / 100	19 / 473	9 / 230	16 / 400	61 / 1559	12 / 310
Q-PCF-22-40	22 x 40	264 / 60	352 / 80	440 / 99	6 / 125	19 / 473	9 / 230	16 / 400	71 / 1813	12 / 310
Q-PCF-22-50	22 x 50	330 / 75	440 / 100	550 / 123	6 / 125	19 / 473	9 / 230	16 / 400	81 / 2067	12 / 310
Q-PCF-35-30	35 x 30	315 / 71	420 / 96	525 / 118	6 / 125	21 / 533	10 / 255	20 / 500	62 / 1579	14 / 360
Q-PCF-35-40	35 x 40	420 / 95	560 / 127	700 / 157	6 / 150	21 / 533	10 / 255	20 / 500	72 / 1833	14 / 360
Q-PCF-35-50	35 x 50	525 / 119	700 / 159	875 / 196	6 / 200	21 / 533	10 / 255	20 / 500	82 / 2087	14 / 360
Q-PCF-50-30	50 x 30	450 / 102	600 / 137	750 / 168	6 / 150	22 / 568	10 / 255	24 / 600	63 / 1599	16 / 410
Q-PCF-50-40	50 x 40	600 / 136	800 / 182	1000 / 224	8 / 200	22 / 568	10 / 255	24 / 600	73 / 1853	16 / 410
Q-PCF-50-50	50 x 50	750 / 170	1000 / 228	1250 / 280	8 / 200	22 / 568	11 / 280	24 / 600	83 / 2107	16 / 410
Q-PCF-70-30	70 x 30	630 / 143	840 / 191	1050 / 235	8 / 200	24 / 620	11 / 280	28 / 700	64 / 1619	20 / 500
Q-PCF-70-40	70 x 40	840 / 190	1120 / 255	1400 / 314	8 / 200	25 / 629	11 / 280	28 / 700	74 / 1873	20 / 500
Q-PCF-70-50	70 x 50	1050 / 238	1400 / 319	1750 / 392	10 / 250	25 / 629	12 / 305	28 / 700	84 / 2127	20 / 500
Q-PCF-70-70	70 x 70	1470 / 333	1960 / 446	2450 / 549	10 / 300	25 / 629	12 / 305	28 / 700	104 / 2635	20 / 500

QH-STYLE SPECIFICATIONS

TECHNICAL DATA SHEET

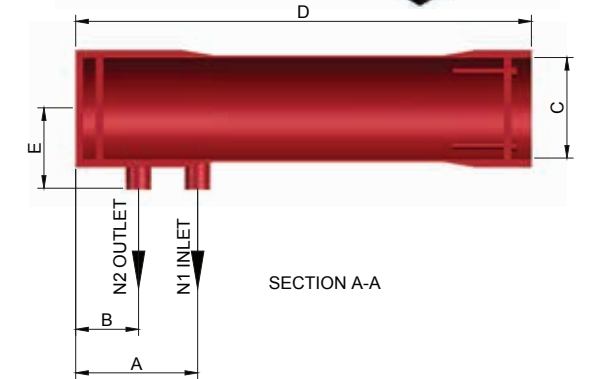
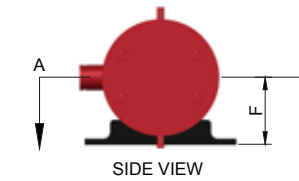


MATERIALS

- | | |
|---------------------------------|-------------------------------|
| 1. Shell & cap / Main body: FRP | 11. Lifting lugs: FRP |
| 2. Support legs: SS 316 | 12. Main body gaskets: EPDM |
| 3. Inlet flange: FRP | 13. Support rod: PA + FRP |
| 4. Outlet flange: FRP | 14. Cartridge element: PP |
| 5. Air vent: FRP | 15. Dirty drain: FRP |
| 6. Clean drain: FRP | 16. O-ring support plate: PVC |
| 7. Deflector plate: FRP | 17. Structural plate: FRP |
| 8. Tube sheet: PVC/FRP | 18. Securing plate: PP |
| 9. Guide plate: PVC/PP | 19. Locking rings: PP |

CHARACTERISTICS

- Flow rates: 10-550 m³/h
- N° elements: 3-70
- Elements length: 30/40/50/70
- Cartridge flow: Outside-inside
- Housing layout: Horizontal
- Features: Quick opening, no bolts
- Ideal: Modular/skid/ container
- Design pressure: 6/10 bar



QH-STYLE Quick Opening Cartridge Filter Housing

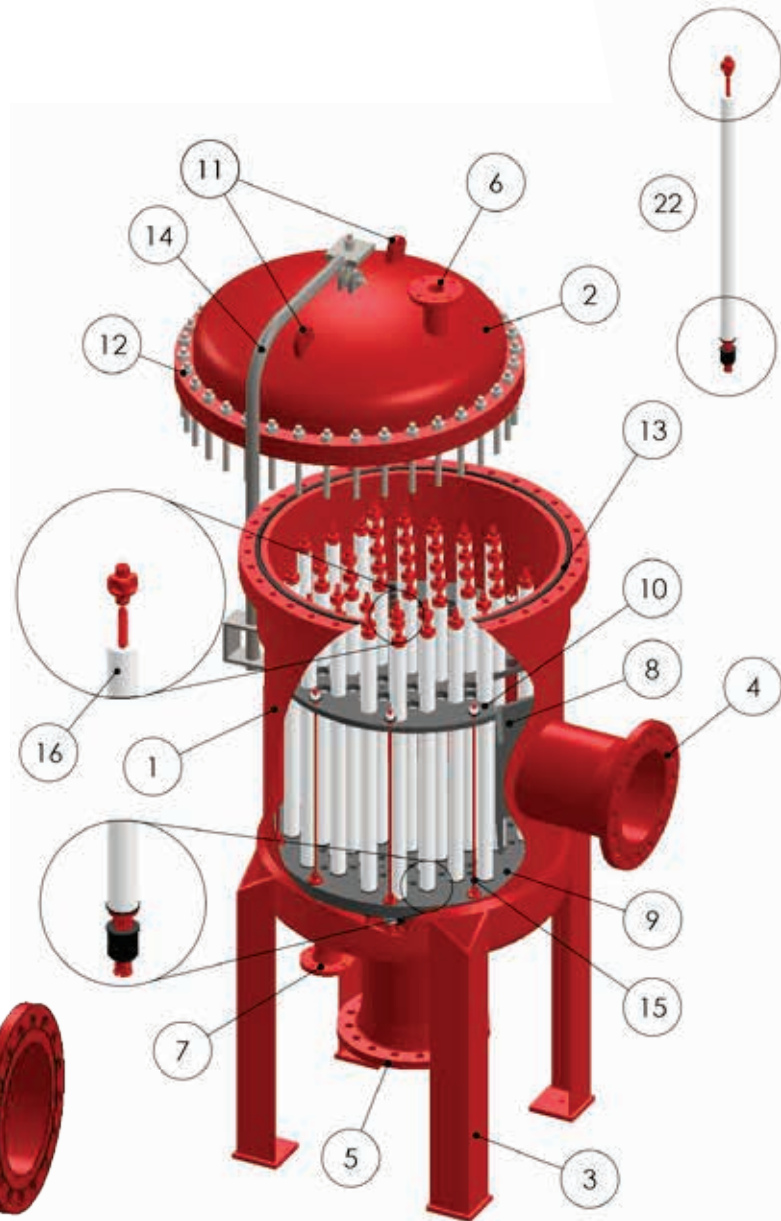
Filter Housing model reference	Cartridges Qty. x Length	Flow at 3gpm - 0,68 m ³ /h per 10"	Flow at 4gpm - 0,91 m ³ /h per 10"	Flow at 5gpm - 1,12 m ³ /h per 10"	N1 / N2 (inch / mm)	A (inch / mm)	B (inch / mm)	C (inch / mm)	D (inch / mm)	E (inch / mm)	F (inch / mm)
QH-PCF-3-30	3 x 30	27 / 6	36 / 8	45 / 10	1,5 / 40	9 / 235	3 / 85	6 / 150	41 / 1046	6 / 150	7 / 175
QH-PCF-3-40	3 x 40	36 / 8	48 / 11	60 / 13	2 / 40	9 / 235	3 / 85	6 / 150	51 / 1300	6 / 150	7 / 175
QH-PCF-3-50	3 x 50	45 / 10	60 / 14	75 / 17	2 / 50	9 / 235	3 / 85	6 / 150	61 / 1554	6 / 150	7 / 175
QH-PCF-5-30	5 x 30	45 / 10	60 / 14	75 / 17	2 / 50	9 / 235	3 / 85	8 / 200	41 / 1046	7 / 180	8 / 200
QH-PCF-5-40	5 x 40	60 / 14	80 / 18	100 / 22	2,5 / 80	9 / 235	3 / 85	8 / 200	51 / 1300	7 / 180	8 / 200
QH-PCF-5-50	5 x 50	75 / 17	100 / 23	125 / 28	2,5 / 80	9 / 235	3 / 85	8 / 200	61 / 1554	7 / 180	8 / 200
QH-PCF-6-30	6 x 30	54 / 12	72 / 16	90 / 20	2 / 50	17 / 443	8 / 200	10 / 250	61 / 1559	8 / 210	9 / 225
QH-PCF-6-40	6 x 40	72 / 16	96 / 22	120 / 27	2,5 / 80	17 / 443	8 / 200	10 / 250	71 / 1813	8 / 210	9 / 225
QH-PCF-6-50	6 x 50	90 / 20	120 / 27	150 / 34	2,5 / 80	17 / 443	8 / 200	10 / 250	81 / 2067	8 / 210	9 / 225
QH-PCF-12-30	12 x 30	108 / 24	144 / 33	180 / 40	3 / 80	19 / 473	9 / 230	12 / 300	61 / 1559	10 / 260	10 / 250
QH-PCF-12-40	12 x 40	144 / 33	192 / 44	240 / 54	4 / 80	19 / 473	9 / 230	12 / 300	71 / 1813	10 / 260	10 / 250
QH-PCF-12-50	12 x 50	180 / 40	240 / 55	300 / 67	4 / 100	19 / 473	9 / 230	12 / 300	81 / 2067	10 / 260	10 / 250
QH-PCF-22-30	22 x 30	198 / 45	264 / 60	330 / 74	4 / 100	19 / 473	9 / 230	16 / 400	61 / 1559	12 / 310	12 / 300
QH-PCF-22-40	22 x 40	264 / 60	352 / 80	440 / 99	6 / 125	19 / 473	9 / 230	16 / 400	71 / 1813	12 / 310	12 / 300
QH-PCF-22-50	22 x 50	330 / 75	440 / 100	550 / 123	6 / 125	19 / 473	9 / 230	16 / 400	81 / 2067	12 / 310	12 / 300
QH-PCF-35-30	35 x 30	315 / 71	420 / 96	525 / 118	6 / 125	21 / 533	10 / 255	20 / 500	62 / 1579	14 / 360	14 / 350
QH-PCF-35-40	35 x 40	420 / 95	560 / 127	700 / 157	6 / 150	21 / 533	10 / 255	20 / 500	72 / 1833	14 / 360	14 / 350
QH-PCF-35-50	35 x 50	525 / 119	700 / 159	875 / 196	6 / 200	21 / 533	10 / 255	20 / 500	82 / 2087	14 / 360	14 / 350
QH-PCF-50-30	50 x 30	450 / 102	600 / 137	750 / 168	6 / 150	22 / 568	10 / 255	24 / 600	63 / 1599	16 / 410	16 / 400
QH-PCF-50-40	50 x 40	600 / 136	800 / 182	1000 / 224	8 / 200	22 / 568	10 / 255	24 / 600	73 / 1853	16 / 410	16 / 400
QH-PCF-50-50	50 x 50	750 / 170	1000 / 228	1250 / 280	8 / 200	22 / 568	11 / 280	24 / 600	83 / 2107	16 / 410	16 / 400
QH-PCF-70-30	70 x 30	630 / 143	840 / 191	1050 / 235	8 / 200	24 / 620	11 / 280	28 / 700	64 / 1619	20 / 500	18 / 450
QH-PCF-70-40	70 x 40	840 / 190	1120 / 255	1400 / 314	8 / 200	25 / 629	11 / 280	28 / 700	74 / 1873	20 / 500	18 / 450
QH-PCF-70-50	70 x 50	1050 / 238	1400 / 319	1750 / 392	10 / 250	25 / 629	12 / 305	28 / 700	84 / 2127	20 / 500	18 / 450
QH-PCF-70-70	70 x 70	1470 / 333	1960 / 446	2450 / 549	10 / 300	25 / 629	12 / 305	28 / 700	104 / 2635	20 / 500	18 / 450

OUR STANDARD FILTER HOUSINGS ARE DESIGNED WITH PIEDMONT COUPLINGS (OR SIMILAR) FOR A MORE ECONOMIC AND SIMPLE CONNECTION TO YOUR PIPING. HOIST (LIFTING ARM) OPTIONAL.



XS-STYLE SPECIFICATIONS

TECHNICAL DATA SHEET

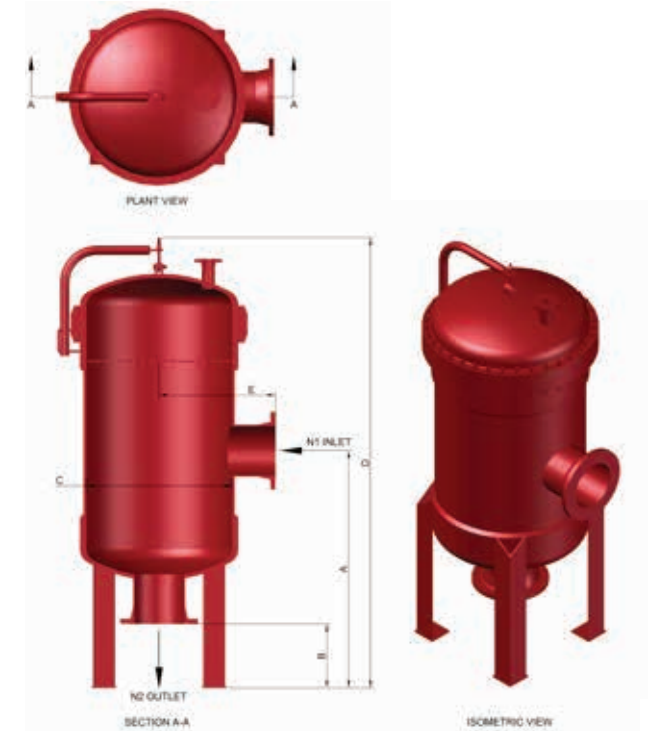


MATERIALS

1. Shell & cap / Main body: FRP
2. Closure cover plate: FRP
3. Support legs: Carbon Steel painted
4. Inlet flange: FRP
5. Outlet flange: FRP
6. Air vent: FRP
7. Clean drain: FRP
8. Deflector plate: FRP
9. Tube sheet: PVC/FRP
10. Guide plate: PVC/PP
11. Lifting lugs: FRP
12. Closure bolts: SS 316
13. Main body gaskets: EPDM
14. Hoist (lifting arm): SS 316
15. Support rod: PA + FRP
16. Cartridge element: PP
22. Internal support rod: FRP + PA

CHARACTERISTICS

Flow rates: 245.2500 m³/h
 N° elements: 90-335
 Elements length: 30/40/50/70
 Cartridge flow: Outside-inside
 Housing layout: Vertical
 Features: Side inlet/ bottom outlet
 davit arm available
 Optional: Swing bolts
 Ideal: High flows and stand alone
 Design pressure: 6/10 bar



XS-STYLE

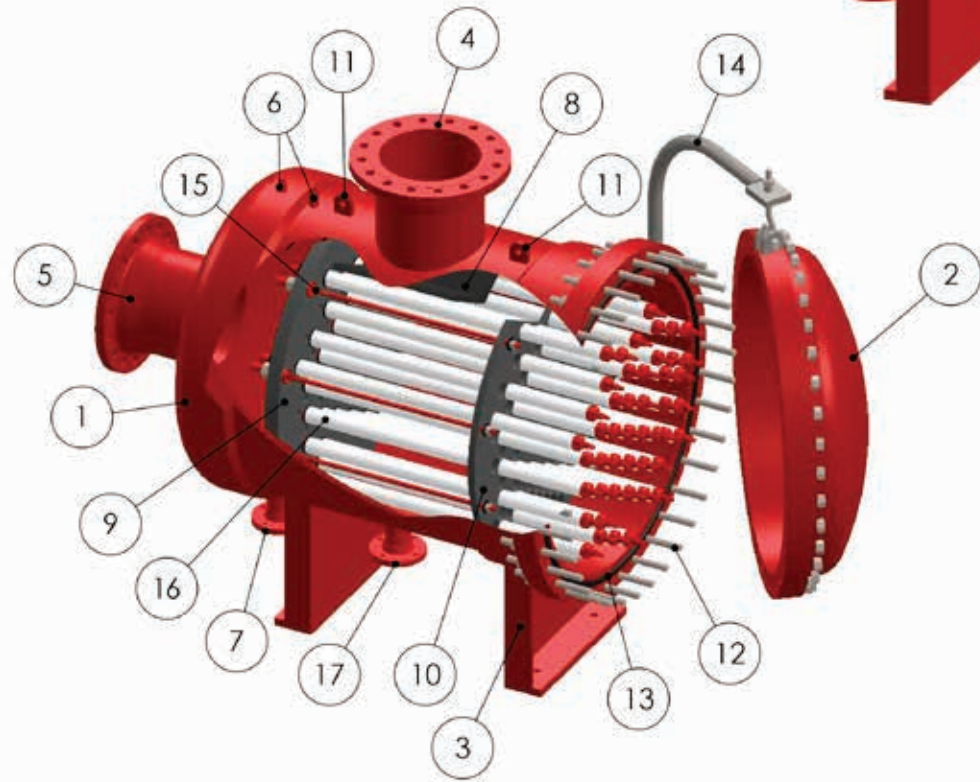
Side Inlet type Higher Flow Cartridge Filter Housing

Filter Housing model reference	Cartridges Qty. x Length	Flow at 3gpm - 0,68 m ³ /h per 10"	Flow at 4gpm - 0,91 m ³ /h per 10"	Flow at 5gpm - 1,12 m ³ /h per 10"	N1 / N2 (inch / mm)	A (inch / mm)	B (inch / mm)	C (inch / mm)	D (inch / mm)	E (inch / mm)
XS-PCF-90-40	90 x 40	1080 / 245	1440 / 328	1800 / 403	10 / 250	72 / 1822	27 / 684	31 / 800	112 / 2848	28 / 700
XS-PCF-90-50	90 x 50	1350 / 306	1800 / 410	2250 / 504	10 / 250	82 / 2076	27 / 684	31 / 800	114 / 2902	28 / 700
XS-PCF-118-40	118 x 40	1416 / 321	1888 / 430	2360 / 529	10 / 250	73 / 1843	27 / 684	35 / 900	115 / 2912	30 / 750
XS-PCF-118-50	118 x 50	1770 / 401	2360 / 537	2950 / 661	12 / 300	83 / 2097	31 / 799	35 / 900	121 / 3081	30 / 750
XS-PCF-118-70	118 x 70	2478 / 562	3304 / 752	4130 / 925	14 / 350	103 / 2605	35 / 900	35 / 900	145 / 3690	30 / 750
XS-PCF-150-40	150 x 40	1800 / 408	2400 / 546	3000 / 672	12 / 300	79 / 2003	31 / 799	39 / 1000	123 / 3126	33 / 850
XS-PCF-150-50	150 x 50	2250 / 510	3000 / 683	3750 / 840	14 / 350	89 / 2257	35 / 900	39 / 1000	129 / 3281	33 / 850
XS-PCF-150-70	150 x 70	3150 / 714	4200 / 956	5250 / 1176	16 / 400	109 / 2765	40 / 1008	39 / 1000	153 / 3897	33 / 850
XS-PCF-180-40	180 x 40	2160 / 490	2880 / 655	3600 / 806	14 / 350	84 / 2135	35 / 900	43 / 1100	130 / 3306	35 / 900
XS-PCF-180-50	180 x 50	2700 / 612	3600 / 819	4500 / 1008	14 / 350	94 / 2389	35 / 900	43 / 1100	132 / 3360	35 / 900
XS-PCF-180-70	180 x 70	3780 / 857	5040 / 1147	6300 / 1411	18 / 450	114 / 2897	44 / 1111	43 / 1100	161 / 4079	35 / 900
XS-PCF-215-40	215 x 40	2580 / 585	3440 / 783	4300 / 963	14 / 350	86 / 2180	35 / 900	47 / 1200	134 / 3405	37 / 950
XS-PCF-215-50	215 x 50	3225 / 731	4300 / 978	5375 / 1204	16 / 400	96 / 2434	40 / 1008	47 / 1200	140 / 3567	37 / 950
XS-PCF-215-70	215 x 70	4515 / 1023	6020 / 1370	7525 / 1686	18 / 450	116 / 2942	44 / 1111	47 / 1200	164 / 4178	37 / 950
XS-PCF-260-40	260 x 40	3120 / 707	4160 / 946	5200 / 1165	16 / 400	91 / 2319	40 / 1008	51 / 1300	141 / 3592	41 / 1050
XS-PCF-260-50	260 x 50	3900 / 884	5200 / 1183	6500 / 1456	18 / 450	101 / 2573	44 / 1111	51 / 1300	148 / 3749	41 / 1050
XS-PCF-260-70	260 x 70	5460 / 1238	7280 / 1656	9100 / 2038	20 / 500	121 / 3081	48 / 1211	51 / 1300	172 / 4357	41 / 1050
XS-PCF-295-40	295 x 40	3540 / 802	4720 / 1074	5900 / 1322	16 / 450	92 / 2341	40 / 1008	55 / 1400	144 / 3658	43 / 1100
XS-PCF-295-50	295 x 50	4425 / 1003	5900 / 1342	7375 / 1652	18 / 500	102 / 2595	44 / 1111	55 / 1400	150 / 3815	43 / 1100
XS-PCF-295-70	295 x 70	6195 / 1404	8260 / 1879	10325 / 2313	24 / 550	122 / 3103	54 / 1363	55 / 1400	180 / 4575	43 / 1100
XS-PCF-335-40	335 x 40	4020 / 911	5360 / 1219	6700 / 1501	18 / 450	97 / 2465	44 / 1111	59 / 1500	151 / 3825	45 / 1150
XS-PCF-335-50	335 x 50	5025 / 1139	6700 / 1524	8375 / 1876	20 / 500	107 / 2719	48 / 1211	59 / 1500	157 / 3979	45 / 1150
XS-PCF-335-70	335 x 70	7035 / 1595	9380 / 2134	11725 / 2626	24 / 600	127 / 3227	55 / 1404	59 / 1500	184 / 4680	45 / 1150



XSH-STYLE SPECIFICATIONS

TECHNICAL DATA SHEET



MATERIALS

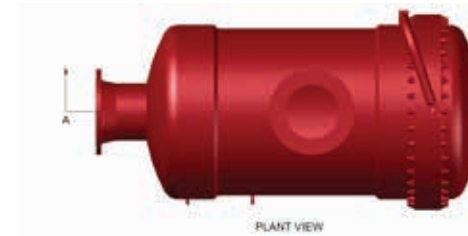
- | | |
|---------------------------------------|---------------------------------|
| 1. Shell & cap / Main body: FRP | 9. Tube sheet: PVC/FRP |
| 2. Closure cover plate: FRP | 10. Guide plate: PVC/PP |
| 3. Support legs: Carbon Steel painted | 12. Closure bolts: SS 316 |
| 4. Inlet flange: FRP | 13. Main body gaskets: EPDM |
| 5. Outlet flange: FRP | 14. Hoist (lifting arm): SS 316 |
| 6. Air vent: FRP | 15. Support rod: PA + FRP |
| 7. Clean drain: FRP | 16. Cartridge element: PP |
| 8. Deflector plate: FRP | 17. Dirty drain: FRP |

CHARACTERISTICS

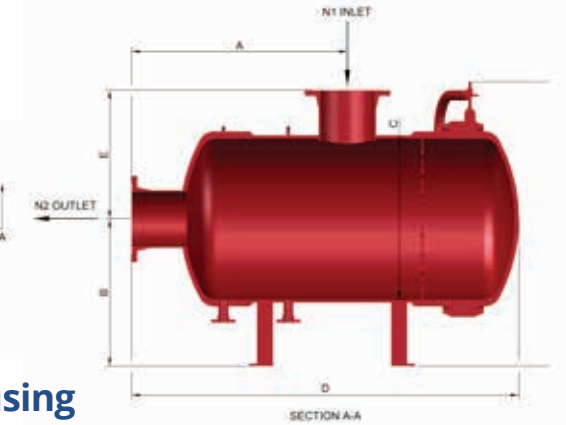
- Flow rates: 245.2500 m³/h
- N° elements: 90-335
- Elements length: 30/40/50/70
- Cartridge flow: Outside-inside or inside-outside
- Housing layout: Horizontal
- Features: Side inlet/ bottom outlet
davit arm available
available for both Ø 2.5 and Ø 6.0 elements
- Optional: Swing bolts
- Ideal: High flows and stand alone
- Design pressure: 6/10 bar



ISOMETRIC VIEW



PLANT VIEW



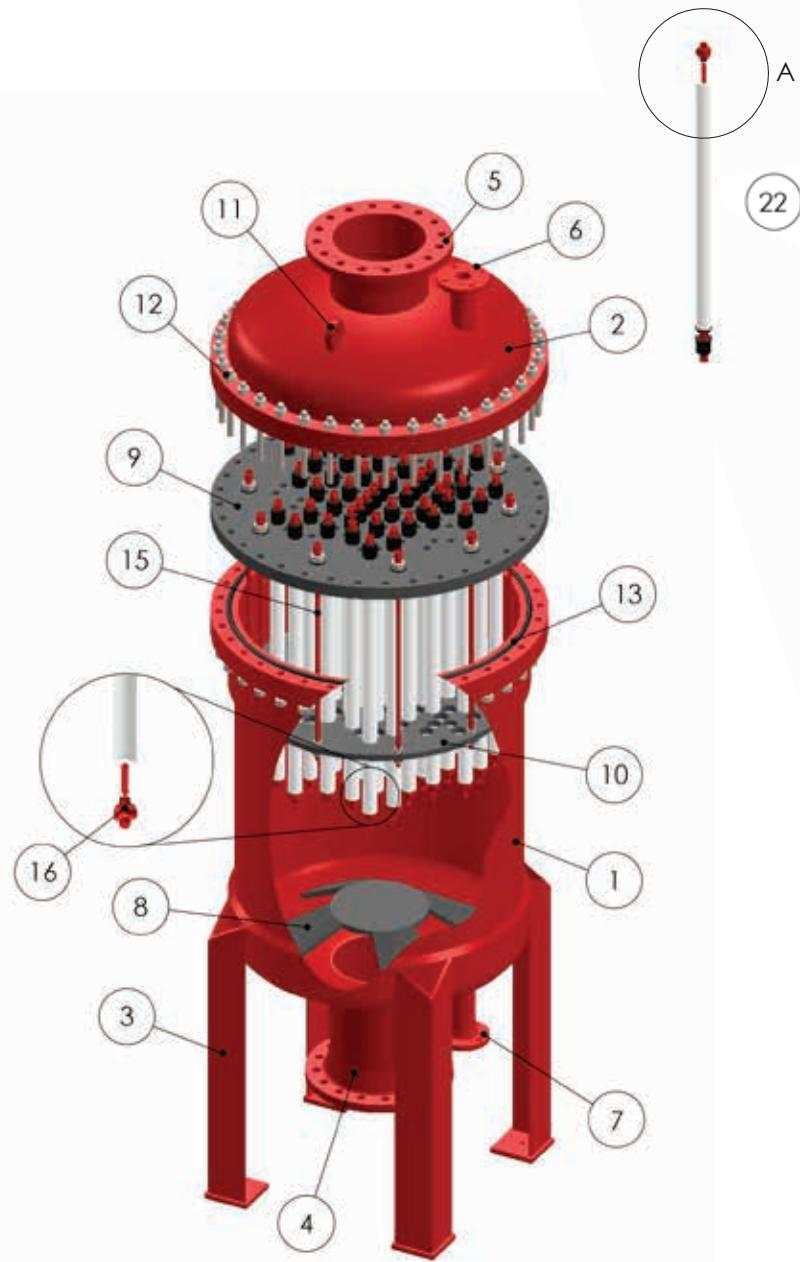
SECTION A-A

XSH-STYLE Side Inlet Higher Flow Cartridge Filter Housing

Filter Housing model reference	Cartridges Qty. x Length	Flow at 3gpm - 0,68 m ³ /h per 10"	Flow at 4gpm - 0,91 m ³ /h per 10"	Flow at 5gpm - 1,12 m ³ /h per 10"	N1 / N2 (inch / mm)	A (inch / mm)	B (inch / mm)	C (inch / mm)	D (inch / mm)	E (inch / mm)
XSH-PCF-90-40	90 x 40	1080 / 245	1440 / 328	1800 / 403	10 / 250	45 / 1138	36 / 914	31 / 800	77 / 1964	28 / 700
XSH-PCF-90-50	90 x 50	1350 / 306	1800 / 410	2250 / 504	10 / 250	55 / 1392	36 / 914	31 / 800	87 / 2218	28 / 700
XSH-PCF-118-40	118 x 40	1416 / 321	1888 / 430	2360 / 529	10 / 250	46 / 1159	36 / 914	35 / 900	80 / 2028	30 / 750
XSH-PCF-118-50	118 x 50	1770 / 401	2360 / 537	2950 / 661	12 / 300	56 / 1413	36 / 914	35 / 900	90 / 2282	30 / 750
XSH-PCF-118-70	118 x 70	2478 / 562	3304 / 752	4130 / 925	14 / 350	76 / 1921	36 / 914	35 / 900	110 / 2790	30 / 750
XSH-PCF-150-40	150 x 40	1800 / 408	2400 / 546	3000 / 672	12 / 300	49 / 1237	36 / 914	39 / 1000	84 / 2127	33 / 850
XSH-PCF-150-50	150 x 50	2250 / 510	3000 / 683	3750 / 840	14 / 350	59 / 1491	36 / 914	39 / 1000	94 / 2381	33 / 850
XSH-PCF-150-70	150 x 70	3150 / 714	4200 / 956	5250 / 1176	16 / 400	79 / 1999	36 / 914	39 / 1000	114 / 2889	33 / 850
XSH-PCF-180-40	180 x 40	2160 / 490	2880 / 655	3600 / 806	14 / 350	49 / 1235	36 / 914	43 / 1100	87 / 2206	35 / 900
XSH-PCF-180-50	180 x 50	2700 / 612	3600 / 819	4500 / 1008	14 / 350	59 / 1489	36 / 914	43 / 1100	97 / 2460	35 / 900
XSH-PCF-180-70	180 x 70	3780 / 857	5040 / 1147	6300 / 1411	18 / 450	79 / 1997	36 / 914	43 / 1100	117 / 2968	35 / 900
XSH-PCF-215-40	215 x 40	2580 / 585	3440 / 783	4300 / 963	14 / 350	51 / 1283	36 / 914	47 / 1200	91 / 2305	37 / 950
XSH-PCF-215-50	215 x 50	3225 / 731	4300 / 978	5375 / 1204	16 / 400	61 / 1537	36 / 914	47 / 1200	101 / 2559	37 / 950
XSH-PCF-215-70	215 x 70	4515 / 1023	6020 / 1370	7525 / 1686	18 / 450	81 / 2045	36 / 914	47 / 1200	121 / 3067	37 / 950
XSH-PCF-260-40	260 x 40	3120 / 707	4160 / 946	5200 / 1165	16 / 400	52 / 1311	36 / 914	51 / 1300	94 / 2384	41 / 1050
XSH-PCF-260-50	260 x 50	3900 / 884	5200 / 1183	6500 / 1456	18 / 450	62 / 1565	36 / 914	51 / 1300	104 / 2638	41 / 1050
XSH-PCF-260-70	260 x 70	5460 / 1238	7280 / 1656	9100 / 2038	20 / 500	82 / 2073	36 / 914	51 / 1300	124 / 3146	41 / 1050
XSH-PCF-295-40	295 x 40	3540 / 802	4720 / 1074	5900 / 1322	16 / 450	52 / 1333	36 / 914	55 / 1400	96 / 2450	43 / 1100
XSH-PCF-295-50	295 x 50	4425 / 1003	5900 / 1342	7375 / 1652	18 / 500	62 / 1587	36 / 914	55 / 1400	106 / 2704	43 / 1100
XSH-PCF-295-70	295 x 70	6195 / 1404	8260 / 1879	10325 / 2313	24 / 550	82 / 2095	36 / 914	55 / 1400	126 / 3212	43 / 1100
XSH-PCF-335-40	335 x 40	4020 / 911	5360 / 1219	6700 / 1501	18 / 450	53 / 1355	36 / 914	59 / 1500	99 / 2514	45 / 1150
XSH-PCF-335-50	335 x 50	5025 / 1139	6700 / 1524	8375 / 1876	20 / 500	63 / 1609	36 / 914	59 / 1500	109 / 2768	45 / 1150
XSH-PCF-335-70	335 x 70	7035 / 1595	9380 / 2134	11725 / 2626	24 / 600	83 / 2117	36 / 914	59 / 1500	129 / 3276	45 / 1150

XB-STYLE SPECIFICATIONS

TECHNICAL DATA SHEET

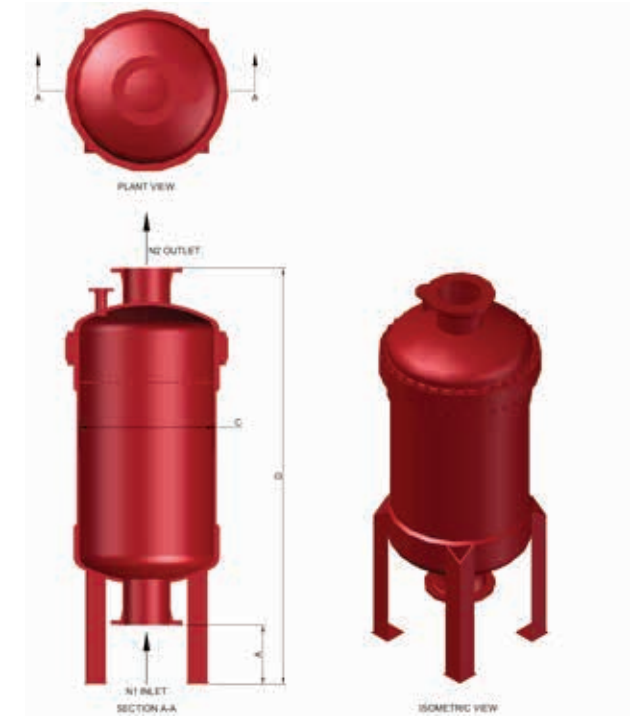


MATERIALS

1. Shell & cap / Main body: FRP
2. Closure cover plate: FRP
3. Support legs: Carbon Steel painted
4. Inlet flange: FRP
5. Outlet flange: FRP
6. Air vent: FRP
7. Clean drain: FRP
8. Deflector plate: FRP
9. Tube sheet: PVC/FRP
10. Guide plate: PVC/PP
11. Lifting lugs: FRP
12. Closure bolts: SS 316
13. Main body gaskets: EPDM
15. Support rod: PA + FRP
16. Cartridge element: PP
22. Internal support rod: FRP + PA

CHARACTERISTICS

Flow rates: 275.2500 m³/h
 N° elements: 101-370
 Elements length: 30/40/50/70
 Cartridge flow: Outside-inside
 Housing layout: Vertical
 Features: Bottom/side inlet top outlet
 davit arm available
 cartridge removal as package
 Optional: Swing bolts
 Ideal: High flows and stand alone
 Design pressure: 6/10 bar



XB-STYLE

Bottom Inlet type Higher Flow Cartridge Filter Housing

Filter Housing model reference	Cartridges Qty. x Length	Flow at 3gpm - 0,68 m ³ /h per 10"	Flow at 4gpm - 0,91 m ³ /h per 10"	Flow at 5gpm - 1,12 m ³ /h per 10"	N1 / N2 (inch / mm)	A (inch / mm)	C (inch / mm)	D (inch / mm)
XB-PCF-101-40	101 x 40	1212 / 275	1616 / 368	2020 / 452	10 / 250	27 / 684	31 / 800	116 / 2948
XB-PCF-101-50	101 x 50	1515 / 343	2020 / 460	2525 / 566	12 / 300	30 / 760	31 / 800	129 / 3278
XB-PCF-125-40	125 x 40	1500 / 340	2000 / 455	2500 / 560	12 / 300	31 / 799	35 / 900	123 / 3127
XB-PCF-125-50	125 x 50	1875 / 425	2500 / 569	3125 / 700	12 / 300	31 / 799	35 / 900	133 / 3381
XB-PCF-125-70	125 x 70	2625 / 595	3500 / 796	4375 / 980	14 / 350	35 / 900	35 / 900	157 / 3990
XB-PCF-160-40	160 x 40	1500 / 340	2000 / 455	2500 / 560	12 / 300	31 / 799	39 / 1000	127 / 3226
XB-PCF-160-50	160 x 50	2400 / 544	3200 / 728	4000 / 896	14 / 350	35 / 900	39 / 1000	141 / 3581
XB-PCF-160-70	160 x 70	3360 / 762	4480 / 1019	5600 / 1254	16 / 400	40 / 1008	39 / 1000	165 / 4197
XB-PCF-195-40	195 x 40	1920 / 435	2560 / 582	3200 / 717	14 / 350	35 / 900	43 / 1100	136 / 3456
XB-PCF-195-50	195 x 50	2925 / 663	3900 / 887	4875 / 1092	16 / 400	38 / 976	43 / 1100	149 / 3786
XB-PCF-195-70	195 x 70	4095 / 928	5460 / 1242	6825 / 1529	18 / 450	44 / 1111	43 / 1100	174 / 4429
XB-PCF-240-40	240 x 40	2340 / 530	3120 / 710	3900 / 874	14 / 400	35 / 900	47 / 1200	140 / 3555
XB-PCF-240-50	240 x 50	3600 / 816	4800 / 1092	6000 / 1344	16 / 400	40 / 1008	47 / 1200	154 / 3917
XB-PCF-240-70	240 x 70	5040 / 1142	6720 / 1529	8400 / 1882	20 / 500	48 / 1211	47 / 1200	182 / 4628
XB-PCF-280-40	280 x 40	2880 / 653	3840 / 874	4800 / 1075	16 / 400	40 / 1008	51 / 1300	149 / 3792
XB-PCF-280-50	280 x 50	4200 / 952	5600 / 1274	7000 / 1568	18 / 450	44 / 1111	51 / 1300	163 / 4149
XB-PCF-280-70	280 x 70	5880 / 1333	7840 / 1784	9800 / 2195	20 / 550	48 / 1211	51 / 1300	187 / 4757
XB-PCF-315-40	315 x 40	3360 / 762	4480 / 1019	5600 / 1254	16 / 450	40 / 1008	55 / 1400	152 / 3858
XB-PCF-315-50	315 x 50	4725 / 1071	6300 / 1433	7875 / 1764	18 / 500	44 / 1111	55 / 1400	166 / 4215
XB-PCF-315-70	315 x 70	6615 / 1499	8820 / 2007	11025 / 2470	24 / 550	54 / 1363	55 / 1400	196 / 4975
XB-PCF-370-40	370 x 40	3780 / 857	5040 / 1147	6300 / 1411	18 / 450	44 / 1111	59 / 1500	158 / 4025
XB-PCF-370-50	370 x 50	5550 / 1258	7400 / 1684	9250 / 2072	20 / 500	48 / 1211	59 / 1500	172 / 4379
XB-PCF-370-70	370 x 70	7770 / 1761	10360 / 2357	12950 / 2901	24 / 600	55 / 1404	59 / 1500	200 / 5080

AMERICAS | EUROPE | MIDDLE EAST & AFRICA | ASIA-PACIFIC



WORLDWIDE PRESENCE

Piedmont

1048 La Mirada Court,
Vista, CA 98082, USA

760.305.7616 | orders@piedmontpacific.com

www.piedmontpacific.com



Headquarters: 54/18 Bui Quang La, Ward 12, Go Vap District, HCMC, Viet Nam

Office: 12 DHT10B, Dong Hung Thuan Ward, District 12, HCMC, Viet Nam

Phone: (028) 6258 5368 - (028) 6291 9568

Email: info@atswatertechnology.com

Website: www.atswatertechnology.com

FRP BAG FILTERS • FRP STRAINERS • CARTRIDGE ELEMENTS •
GROOVED END FLEXIBLE COUPLINGS • END CAPS • FIBERMOVE